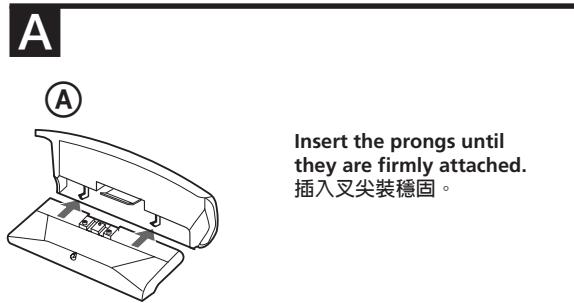


Portable MiniDisc Player

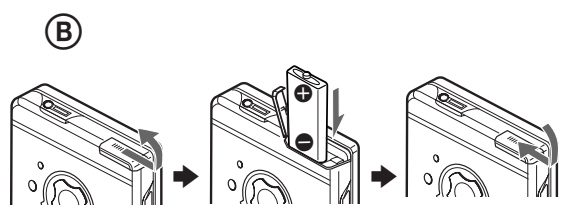
Operating instructions 使用說明書



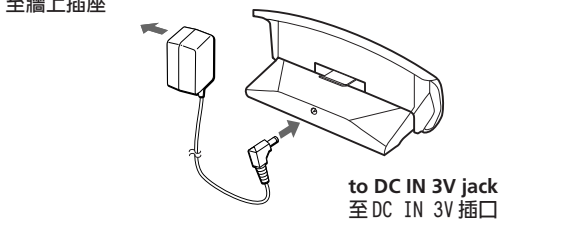
Sony Corporation © 2001 Printed in Japan



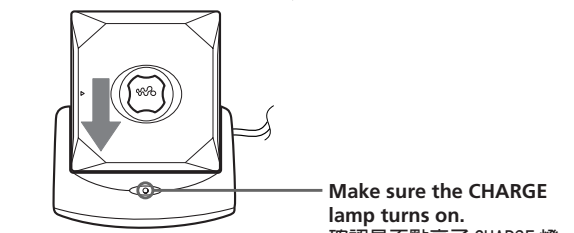
Insert the prongs until they are firmly attached. 插入交叉裝夾器。



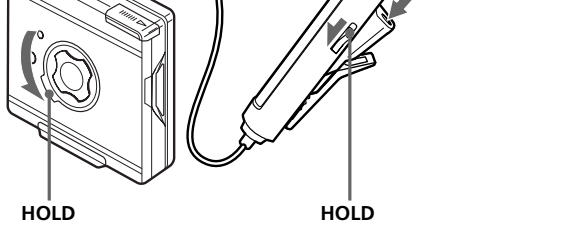
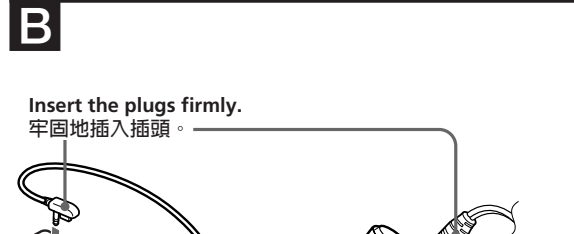
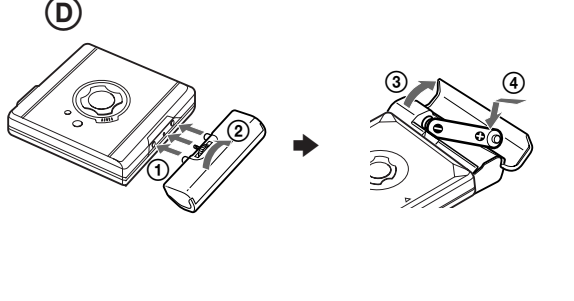
to a wall outlet 至牆上插座



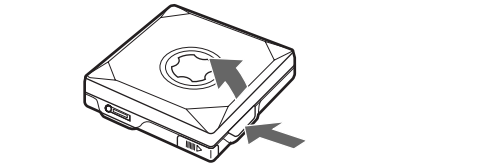
to DC IN 3V jack 至 DC IN 3V 插口



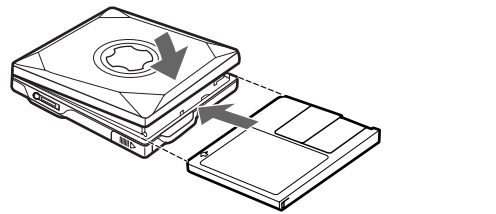
Make sure the CHARGE lamp turns on. 確認是否點亮 CHARGE 燈。



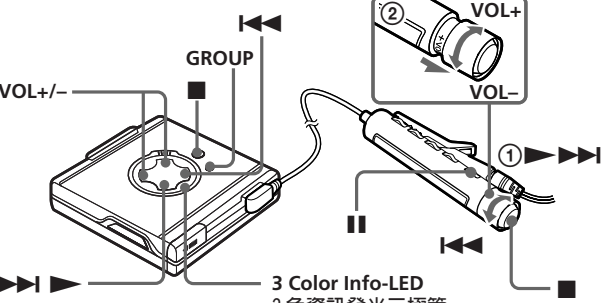
A



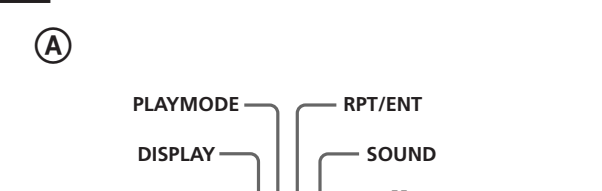
B



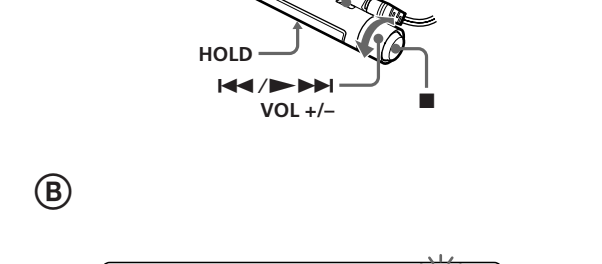
C



D



E

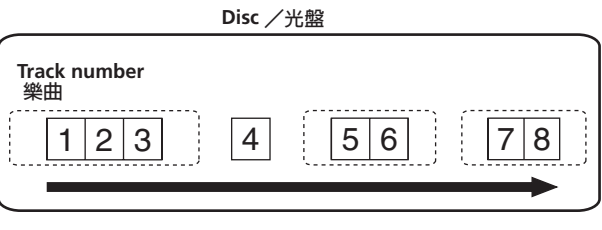


F

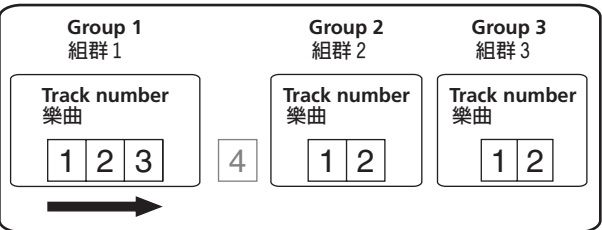


A

Playback when group mode is off: Playback starts with the first track in the disc, and stops with the last track in the disc. 組群模式關著時的播放：播放將從光碟的第一首曲子開始，而停止在光碟的最後一首曲子。



Playback when group mode is on: Playback of the selected group starts with the first track in the group, and stops with the last track in the group. 組群模式打開著時的播放：所選組群的播放將從組群的第一首曲子開始，而停止在該組群的最後一首曲子。

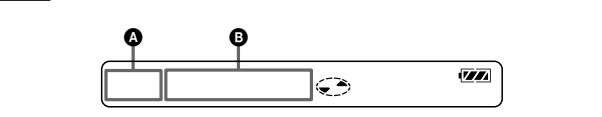


B

When there is a group name (Example: AAA) 有組群名時 (例如：AAA)

When there is no group name 沒有組群名時

F



English

WARNING

To prevent fire or shock hazard, do not expose the unit to rain or moisture.

Do not install the appliance in a confined space, such as a bookcase or built-in cabinet.

To prevent fire, do not cover the ventilation of the apparatus with news papers, table cloths, curtains, etc. And don't place lighted candles on the apparatus.

To prevent fire or shock hazard, do not place objects filled with liquids, such as vases, on the apparatus.

Certain countries may regulate disposal of the battery used to power this product. Please consult with your local authority. CAUTION — INVISIBLE LASER RADIATION WHEN OPEN. DO NOT STARE INTO BEAM OR VIEW DIRECTLY WITH OPTICAL INSTRUMENTS.

IN NO EVENT SHALL SELLER BE LIABLE FOR ANY DIRECT, INCIDENTAL OR CONSEQUENTIAL DAMAGES OF ANY NATURE, OR LOSSES OR EXPENSES RESULTING FROM ANY DEFECTIVE PRODUCT OR THE USE OF ANY PRODUCT.

Getting started

Preparing a power source

Using the rechargeable battery

Charge the supplied rechargeable battery before using it for the first time.

Assemble the battery charging stand as shown in Fig. A ④.

- Insert the supplied rechargeable battery NH-14WM into the rechargeable battery compartment with correct polarity (see Fig. A ②).
- Connect the supplied AC power adaptor to the battery charging stand and plug the AC power adaptor into an electrical outlet (see Fig. A ③).
- Place the player on the battery charging stand.

- The CHARGE lamp will light up. Full charging takes about 6 hours. The CHARGE lamp will go off when charging is complete (see Fig. A ①).

- Do not operate the player when you place it on the battery charging stand or during charging. If you do so, it may cause the player to malfunction or prevent the battery from charging.
- The supplied battery charging stand is for use with the NH-14WM only. It cannot be used with the NC-6WM.

Using a dry battery (see Fig. A ①-③)

Attach the supplied battery case to the player, and then insert one LR6 (size AA) battery with correct polarity. Be sure to insert the minus (−) terminal of the battery first.

You can check the battery condition with the battery indication on the remote control and the 3 Color Info-LED on the player while using the player.

Indication on the remote control

- Battery power decreasing
- Weak battery

The battery has gone out. "LOW BATT" flashes in the display on the remote control, and the power goes off.

3 Color Info-LED indication on the player

The LED lights up. There is sufficient battery power.

The LED flashes slowly. Battery power decreasing.

The LED flashes quickly. The battery is low. Soon, the LED will turn off and the supply of power will stop.

Notes

- The battery indication may show the battery to be fully charged even when it is not. Changing the battery shorter than the prescribed time will result in a shorter operating time on the player.
- The battery indication will show a low charge during a forward or backward operation when the operating temperature is extremely low.

Batteries	(Unit: Approx. hours) (JEITA ¹⁾)		
	SP Stereo (normal)	LP2 Stereo	LP4 Stereo
Ni-MH rechargeable battery NH-14WM (A) ²⁾	29	33	37
LR6 (SG) Sony Alkaline dry battery ³⁾	43	51	60
LR6 (SG) ³⁾ and NH-14WM (A) ²⁾	76	87	100

1) Measured in accordance with the JEITA (Japan Electronics and Information Technology Industries Association) standard (using a Sony MDW-series Minidisc).

2) With a fully charged battery

3) When using a Sony LR6 (SG) "STAMINA" alkaline dry battery (produced in Japan).

Note

The battery performance may be shorter than the specified duration, depending on the operating conditions, the temperature of the location, and the type of battery being used.

Connecting the headphones/earphones (see Fig.B)

Connect the supplied headphones/earphones to the remote control. Connect the remote control to ③ jack on the player. Slide HOLD on the remote control and the player to the directions of the arrows shown in the illustration.

MD playing

Playing an MD (see Fig.C)

- Insert an MD.
 - Press OPEN (see Fig. C ①).
 - Insert the MD with the label side facing up, and press the lid down to close (see Fig. C ②).
- Play the MD (see Fig. C ③).
 - Turn the control towards ④ on the remote control (or press ⑤ on the player). When using the remote control, a short beep sounds in the headphones/earphones.
 - Pull and turn VOL +/- on the remote control (or press VOL +/- on the player) to adjust the volume. The volume indicator will appear on the remote control, allowing you to check the volume level. After you adjust the volume, push back the control.

To stop play, press ①. Playback starts from the point you last stopped playing. To start playback from the beginning of the disc, turn and hold the control towards ⑥ on the remote control (or press ⑦ on the player) for 2 seconds or more.

About the 3 Color Info-LED on the player

The 3 Color Info-LED indicates the current operating status by the lighting up in the following colors:

LED color	Operating status
Red	Normal play (The LED lights up continuously)
Green	Group mode* (The LED lights up continuously)
Orange	Group skip mode* (The LED lights for about 5 seconds)

* For more details, see "Using the Group Function."

When the battery is exhausted, the LED flashes. For more details, see "When to recharge or replace the battery."

Other disc operation

To Do this (Beeps¹⁾ in the headphones/earphones when the remote control is operated)

Pause Press ② on the remote control (Continuous short beeps). Press ② on the remote control again to resume playback.²⁾

Find the beginning of the current track/ the beginning of the previous track Turn the control towards ④ on the remote control on (Three short beeps). (Or press ④ on the player once.) Turn the control towards ④ on the remote control repeatedly (Continuous three short beeps). (Or press ④ on the player repeatedly.)

Find the beginning of the next track Turn the control towards ⑤ on the remote control (Two short beeps). Press ⑤ on the player once.

Go backwards while playing²⁾ Turn and hold the control towards ④ on the remote control. Hold down ④ on the player.

Go forward while playing²⁾ Turn and hold the control towards ⑤ on the remote control. Hold down ⑤ on the player.

Remove the MD Press ③, and then press OPEN.³⁾

Find the beginning of the next track Turn the control towards ④ on the remote control on (Three short beeps). (Or press ④ on the player once.) Turn the control towards ④ on the remote control repeatedly (Continuous three short beeps). (Or press ④ on the player repeatedly.)

- You can turn off the beep sound. For more details, see "Turning off the beep sound."
 - When you press ④ or ⑤ on the player during pause, the player resumes playback. If you turn and hold the control towards ④ or ⑤ on the remote control (or hold down ④ or ⑤ on the player) during pause, you can fast forward/rewind without listening to the playback sound.
- ⑥ Once you open the lid, the point to start playback changes to the beginning of the first track.

G-PROTECTION function

The G-PROTECTION function has been developed to provide excellent protection against sound skipping during many active uses. This function provides a higher level of shock protection during playback than the traditional one.

Notes

- The player can play the track recorded by 2 × 4 × long playing mode (LP2 or LP4). Normal stereo playback, LP2 stereo playback, LP4 stereo playback or monaural playback is automatically selected to match the audio source.
- During the operation of the unit, the 3 Color Info-LED on the player turns on. After you press ③ to stop the playback, the 3 Color Info-LED turns off.
- The display on the remote control will turn off shortly after you press ③.

When removing the disc, make sure to press ③ first, and then press OPEN.

- Sound may skip if
 - the player receives stronger continuous shock than expected.
 - a dirty or scratched MiniDisc is played.

Various ways of playback

Selecting the play mode (see Fig.D)

You can select from various play modes using the PLAYMODE and RPT/ENT on the remote control.

Play mode display	Playback status
(none) (normal play)	All the tracks are played once.
"1" (single play)	A single track is played once.
"SHUF" (shuffle play)	All the tracks are played in random order.

"PGM" (program play) Tracks are played in the order that you specified.

Listening to tracks in a desired sequence (Program Play)

- During playback, press PLAYMODE on the remote control repeatedly until "PGM" flashes in the display.
- Turn the control on the remote control repeatedly to select a track number (see Fig. D ②).
- Press RPT/ENT on the remote control. The track is entered.
- Repeat steps 2 and 3 to select other tracks in the desired sequence.
- Press RPT/ENT for 2 seconds or more. The settings are entered and playback starts from the first programmed track.

Notes

- All program settings are lost when the disc is removed from the player.
- If no settings are made for 5 minutes while the player is stopped, the settings made up to that point are entered.
- If you use the group function during program play, the program setting will be lost.

Repeat play

You can use this function to repeat playback in normal play, single play, shuffle play, or program play mode.

- Press RPT/ENT on the remote control during playback. "C" appears in the display.

Using the group function (See Fig.E)

The MZ-E501 can be used with a disc which has group settings. The group function is useful for playing a great number of tracks, or tracks that have been recorded in MDLP (LP2/LP4) mode.

What is a disc with group settings? This is a disc with settings that organize tracks into groups, and which allow those groups to be selected. The MZ-E501 does not support the recording of group settings. If your recorder has a function for editing disc names, you can use it to register groups.

Listening to tracks in a specific group (Group Mode Playback) (see Fig. E ①-④)

- Insert a disc which has group settings into the player, and then play the disc.
- Press DISPLAY on the remote control for 2 seconds or more.
- Turn the CONTROL on the remote control repeatedly until "GROUP" flashes, and then press ① on the remote control.
- Turn the control on the remote control repeatedly until "GROUP ON" flashes, and then press ② on the remote control. (Or on the player, press GROUP for 2 seconds or more.) "G" (group mode) appears in the display of the remote control and then group mode is turned on. The 3 Color Info-LED on the player lights up green. Playback stops at the end of the last track in the selected group.

For details on selecting another group, see "Selecting and playing desired groups."

Tip

When group mode is on, it is possible to do repeat play, shuffle play, or program play. For details on the respective operations, see "Selecting the play mode."

To turn off group mode

Select "GROUP OFF" and press ③ in step 4. (Or on the player, hold down GROUP for 2 seconds or more.) If this happens, change to group mode and select a track that belongs to a group (see "Selecting and playing desired groups"). Then repeat step 2.

If "NO GROUP" appears in the display on the remote control in step 4, it means that you are using a disc that has no group settings. Insert a disc with group settings and repeat step 1.

- If group mode is off and you try to play a disc that has group settings, the following the text string may appear in the display. Example: ① Favorites/1/1-5Rock/1/6-9Pops/②

① Disc name "Favorites"

② Group name "Rock"; registered tracks 1 to 5

③ Group name "Pops"; registered tracks 6 to 9

Selecting and playing desired groups (Group Skip Function)

With a disc which has group settings, you can skip from the currently playing group to any other group on the MD.

- Insert a disc which has group settings into the player and play the disc.
- Hold down PLAYMODE on the remote control until "---" flashes in the display. (Or on the player, press GROUP.) The 3 Color Info-LED on the player lights up orange, and the player enters group skip mode.
- While the LED lights up orange (for 5 seconds), turn the control on the remote control repeatedly until the name or number of the desired group appears (see Fig. E ③). During playback in group mode, playback of the selected group starts with the first track in the group and stops with the last track in the group. During normal playback, playback of the selected group starts with the first track in the group and stops with the last track on the disc.

Tip

The group skip function can be used at any time during playback, regardless of whether the player is in group mode on or not.

Notes

- If no operation is performed within 5 seconds after step 2, group skip mode is cancelled. To continue the procedure, start from step 1 again.
- Group skip mode cannot be used with a disc that has no group settings.

Other operations

Press DISPLAY on the remote control. Each time you press DISPLAY, the display changes the indications as the follows (See Fig. F):

①	②
Track number	The elapsed time
Track number	Track name ¹⁾
The number of total tracks in the group	Group name ²⁾
The number of total tracks	Disc name ³⁾
Track number	Track mode ³⁾

1) Appears only with MDs that have been electronically labeled. "1" appears when no track name is recorded, and "C" appears when no disc name is recorded.

2) Appears only when the group function is on. If a group has no name, the group number appears.

3) The mode for each track is indicated as follows:
 "Mode: SP" Standard mode (stereo)
 "Mode: LP2" 2 × mode (2 × normal playing time)
 "Mode: LP4" 4 × mode (4 × normal playing time)
 "Mode: MONO" Monaural

Tip

The group name appears when you select the group on group skip mode. For more details, see "Selecting and playing desired groups" in "Using the group function."

Note

The mode indication appears only during playback. It appears for 2 seconds, and is then replaced by the elapsed time of the current track.

中文

警告

為預防火災和觸電，不要讓唱機淋雨和受潮。

請勿將本系統安置在書櫃或壁櫥等狹窄封閉處。

為防止發生火災，請勿用報紙、桌布、窗簾等蓋住通風孔。另請勿將點燃的蠟燭置於本設備上。

為防止發生火災或電擊的危險，請勿將裝滿液體的物件(例如花瓶)置於本設備上。

一些國家對向本產品提供電力的電池的處理有法律規定。請向當地有關部門查詢。

注意 — 當打開機蓋時，會有不可見的雷射光輻射出來。

不要盯著光束或直接用光學儀器觀看。

資訊

前商對高對產品質量問題或使用任何產品引起的直接和偶然事故、由此引起任何性質的傷害、損失及費用不承擔任何責任。

準備啓用

使用充電電池

- 第一次使用附帶的充電電池前，請先充電。圖 A ④ 表示電池充電架。
- 將附帶的充電電池 NH-14WM 裝入充電電池室，須使對準極性。(見圖 A ②)。
- 把附帶的 AC 電源轉接器連接到電池充電架並把 AC 電源轉接器插到電源插座 (見圖 A ③)。

- 將唱機放在電池充電架上。把附帶的電池充電架插上。把附帶的電池充電架插入充電電池室。須使對準極性。(見圖 A ②)。

把附帶的電池充電架裝在唱機上，再將一節 LR6 (AA, 3 號) 電池按正確極性插入盒中。一定要先將電池的負極 (⊖) 插入。

何時更換電池或給電池充電

可以用遙控器上的電池指示檢查電池的條件和在使用唱機時的唱機上的 3 色資訊發光二極管。

- 遙控器上的指示
- 電池電力下降
- 電池電力很弱
- 電池電力用完。遙控器上顯示器顯示 "LOW BATT"，電力用完。

唱機上的 3 色資訊發光二極管指示點亮發光二極管。有足夠的電池電力。

慢閃爍著發光二極管。電池電力減小。

快閃爍著發光二極管。電池電力低。很快地，發光二極管就要熄滅而停止供電。

註

- 即使電池並沒有充滿電，電池指示也可能已充滿了電的指示。充電時間如果長於上述時間，您也能聽到唱機的聲音。
- 當唱機正在前進或後退，或在極低溫條件下操作使用時，電池指示將顯示低充電狀態。

電池壽命	(單位：大約時間) (JEITA ¹⁾)		
	SP 立體聲 (正常)	LP2 立體聲	LP4 立體聲
Ni-MH 充電電池 NH-14WM (A) ²⁾	29	33	37
LR6 (SG) Sony 鹼性電池 ³⁾	43	51	60
LR6 (SG) ³⁾ 和 NH-14WM (A) ²⁾	76	87	100

1) 基於 JEITA (Japan Electronics and Information Technology Industries Association) 標準測得 (使用 Sony MDW 系列的迷你光碟)。

2) 完全充滿電的電池。

3) 使用一節 Sony LR6 (SG) "STAMINA" 鹼性電池 (日本生產) 時。

註

電池的效能可能會根據操作條件，當地溫度，和所使用的電池類型而短於所定耐用時間。

連接頭戴耳機/耳機 (見圖 B)

把附帶的頭戴耳機/耳機與遙控器連接。把遙控器連接到唱機上的 ③ 插口。按圖示沿箭頭方向滑動遙控器和唱機上的 HOLD 鈕。

MD 播放

播放 MD (見圖 C)

- 插入 MD。
 - 按 OPEN 鈕 (見圖 C ①)。
 - 插入 MD，標籤面向上，按下蓋子把它關閉 (見圖 C ②)。
- 播放 MD (見圖 C ③)。
 - 將遙控器上的控制鈕轉向 ④ (或按唱機上的 ⑤)。
 - 當使用遙控器時，頭戴耳機/耳機裡會聽到一短促嘟聲。
 - 拉出並轉動遙控器上的 VOL +/- (或按唱機上的 VOL +/-) 調節音量。音量指示出現在遙控器上可讓您核對音量電平。調整完音量之後，請推回音量控制器。

要停止播放時，請按 ①。

播放將從最後停止播放的點開始。如果您要從光碟的開頭開始播放，便請向遙控器上的 ⑥ 旋轉並握住控制器 (或按下唱機上的 ⑦ 2 秒或以上)。

關於唱機上的 3 色資訊發光二極管

3 色資訊發光二極管是利用點亮以下彩色以指示當前的操作狀況：
 發光二極管發色 操作狀況
 紅色 正常播放 (連續點亮發光二極管)
 綠色 組群模式* (連續點亮發光二極管)
 橙色 組群跳越模式* (點亮發光二極管大約 5 秒)

* 詳細，請參看 "使用組群功能"。

當電池耗完了電時，將閃爍著 LED。詳細內容，請參看 "何時給電池充電或更換電池"。

其他光碟操作

要 進行此項操作 (使用遙控器時，頭戴耳機/耳機裡會聽到嘟聲)。

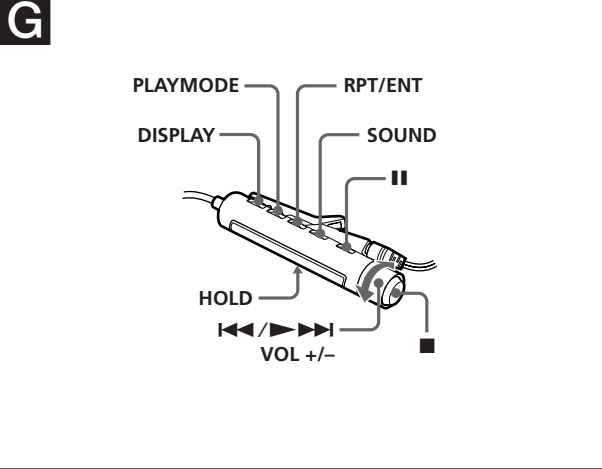
暫停 按遙控器上的 ② (連續的短促嘟聲)。再次按遙控器上的 ②，恢復播放。²⁾

找出當前/前面樂曲的開頭 將遙控器上的控制鈕轉向 ④ (三聲短促嘟聲)。 (或按一次唱機上的 ⑤) 將遙控器上的控制鈕反復轉向 ④ (連續三聲短促嘟聲)。 (或反復按唱機上的 ⑤)

聽下一樂曲的開頭 將遙控器上的控制鈕轉向 ⑤ (兩聲短促嘟聲)。按一次唱機上的 ⑥。

播放中要倒退²⁾ 將遙控器上的控制鈕轉向 ④ 並按住。按住唱機上的 ④。

播放中要前進²⁾ 將遙控器上的控制鈕轉向 ⑤ 並按住。按住唱機上的 ⑤。



English

Adjusting the sound quality (Digital Sound Preset) (See Fig. ㉒)

You can make adjustments to the sound quality to suit your taste, and then store two sets of these adjustments.

- Press SOUND on the remote control repeatedly to select "SOUND1" or "SOUND2." (see Fig. ㉒ ㉔)
- During playback, press SOUND on the remote control for 2 seconds or more (see Fig. ㉒ ㉔). The player changes to the bass-setting mode. Pressing SOUND for 2 seconds again changes the player to the treble-setting mode.

- Turn the control on the remote control repeatedly to adjust the bass or the treble (see Fig. ㉒ ㉔). The player changes to the bass-setting mode. Pressing SOUND for 2 seconds again changes the player to the treble-setting mode. When you press SOUND for a short time while adjusting the bass or the treble, the setting for that sound is entered and the display switches to the other sound setting.

- Press RPT/ENT on the remote control. The sound settings are stored and the playback display appears again.

To select a preset sound
Press SOUND on the remote control repeatedly to select "SOUND1," "SOUND2."

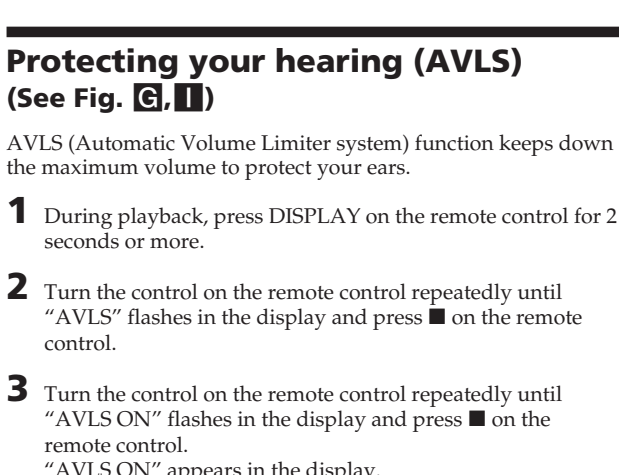
Selecting no display turns off the digital sound preset function.

Digital sound preset factory settings
The digital sound preset factory settings are as follows:

- "SOUND1": bass +1, treble ±0
- "SOUND2": bass +3, treble ±0

Tip
You can also set the digital sound preset when playback is momentarily paused.

- Settings cannot be changed through the operation buttons on the player.
- When you use the digital sound preset function, the sound may break or become distorted depending on the settings or the track. In this case, change the settings of the sound quality.

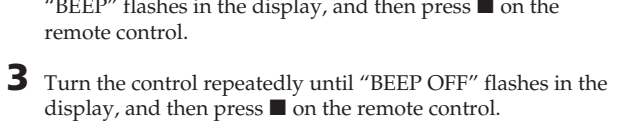


AVLS (Automatic Volume Limiter system) function keeps down the maximum volume to protect your ears.

- During playback, press DISPLAY on the remote control for 2 seconds or more.
- Turn the control on the remote control repeatedly until "AVLS" flashes in the display and press ■ on the remote control.
- Turn the control on the remote control repeatedly until "AVLS ON" flashes in the display and press ■ on the remote control. "AVLS ON" appears in the display.

To set the AVLS function on the player
During playback, slide HOLD towards ↞, and then while pressing VOL →, slide HOLD in the opposite direction.

To cancel the AVLS function
On the remote control, select "AVLS OFF" and press ■ on the remote control in step 3. Or on the player, during playback, slide HOLD in the direction of ↠, and then while pressing VOL →, slide HOLD in the opposite direction.



To turn on the beep sound
Select "BEEP ON" and press ■ on the remote control in step 3.

Locking the controls (HOLD) (See Fig. ㉓)

- Slide HOLD on the remote control in the direction of the ↞ to lock the controls on the remote control and slide HOLD on the player in the direction of the ↞ to lock the controls of the player.

To unlock the controls
Slide HOLD to the opposite directions of the arrows.

►Additional information

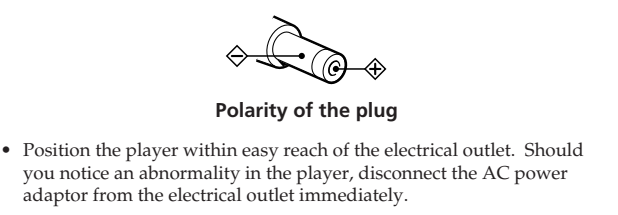
Precautions

On safety

- Make sure to keep the player in the supplied carrying pouch. If the terminals on the player, battery charging stand, or battery case are accidentally brought into contact with a metallic object, they may short-circuit and begin to heat up.
- Keep the terminals on the player or on the battery case away from metallic objects or surfaces. Such contact may short-circuit the terminals and cause dangerous heat generation. When carrying the player with you, always keep the battery case attached to the player and the player in the supplied carrying pouch.
- When you carry the supplied rechargeable battery, be sure to put it in the supplied rechargeable battery carrying case. Carrying the rechargeable battery without the case may cause a short-circuit with metallic objects such as coins, key rings, or necklaces. As a result, heat may be generated.
- Do not put any foreign objects in the DC IN 3V jack.
- Do not carry or store the dry battery or battery case in the same place with metallic objects such as coins, key rings, or necklaces. This may cause a short-circuit to occur and heat to generate.
- Incorrect battery usage may lead to leakage of battery fluid or bursting batteries. To prevent such accidents, observe the following precautions:
 - Install batteries with the + and – poles aligned correctly.
 - Do not charge dry batteries.
- If a battery leak should develop, carefully and thoroughly wipe away battery fluid from the battery compartment before inserting new one.
- If you are not going to use this player for a long time, be sure to disconnect the power supply (AC power adaptor, dry battery, rechargeable battery, or battery charging stand). To remove the AC power adaptor from the electrical outlet, *grasp* the adaptor plug itself; never pull the cord.

On the AC power adaptor (for the supplied battery charging stand)

- For use in your house: Use the supplied AC power adaptor AC-E30HG. Do not use any other AC power adaptor since it may cause the player to malfunction.



Position the player within easy reach of the electrical outlet. Should you notice an abnormality in the player, disconnect the AC power adaptor from the electrical outlet immediately.

On charging

- The supplied battery charging stand can be used only with the MZ-E501. It cannot be used to charge all other models.
- Do not use the MZ-E501 to charge any other battery besides the one designated for it.
- Though the battery charging stand and the battery may become hot during the charging procedure, this poses no danger.
- Because of the battery's character, the capacity of the battery may be smaller than normal when it is used for the first time or after a long period of disuse. In this case, charge and discharge the battery several times. The normal battery life will be restored.
- If the capacity of the rechargeable battery becomes half the normal life, replace it with a new one.
- As soon as charging is complete, remove the player from the battery charging stand and disconnect the battery charging stand from the electrical outlet. Leaving it connected may result in reduced battery performance.
- The CHARGE lamp will go off about 6 hours after you place the player on the battery charging stand. If you remove the player from the battery charging stand for 3 seconds or more while it is charging, the CHARGE lamp will go off. It will then take about 6 hours for the lamp to go off from the time you next place the player on the battery charging stand.

On Handling

- Do not drop or bump the player. This may cause the player to malfunction.
- Do not pull on the remote control or headphones/earphones cords.
- Do not place the player in the following places:
 - An extremely hot place (over 60°C (140°F))
 - A place exposed to direct sunlight or near a heater
 - In a car with the windows rolled up (especially in the summer)
 - In a damp place such as a bathroom
 - Near a source of electromagnetic fields such as a magnet, speaker, or TV
 - In a dusty place

On heat build-up
Heat may build up in the player if it is used for an extended period of time. This, however, is not a malfunction.

On mechanical noise

The player gives out mechanical noise while operating, which is caused by the power-saving system of the player. This is not a malfunction.

On installation

- Never use the player where it will be subjected to extremes of light, temperature, moisture or vibration.
- Never wrap the player in anything when it is being used with the AC power adaptor. Heat build-up in the player may cause malfunction or injury.

On the remote control
The supplied remote control is designed for use with the MZ-E501 only. Note also that the player cannot be controlled by remote controls for other models.

On the MiniDisc cartridge

- Do not touch the internal disc directly. Forcing the shutter open may damage the internal disc. It may create a traffic hazard and is illegal in many areas. It can also be potentially dangerous to play your player at high volume while walking, especially at pedestrian crossings. You should exercise extreme caution or discontinue use in potentially hazardous situations.
- If you experience an allergic reaction to the supplied headphones/earphones, stop using them at once and consult a doctor or a Sony service center.

Preventing hearing damage
Avoid using headphones/earphones at high volume. Hearing experts advise against continuous, loud and extended play. If you experience a ringing in your ears, reduce the volume or discontinue use.

- Do not use headphones/earphones while driving, cycling, or operating any motorized vehicle. It may create a traffic hazard and is illegal in many areas. It can also be potentially dangerous to play your player at high volume while walking, especially at pedestrian crossings. You should exercise extreme caution or discontinue use in potentially hazardous situations.
- If you experience an allergic reaction to the supplied headphones/earphones, stop using them at once and consult a doctor or a Sony service center.

Preventing hearing damage
Avoid using headphones/earphones at high volume. Hearing experts advise against continuous, loud and extended play. If you experience a ringing in your ears, reduce the volume or discontinue use.

Caring for others
Keep the volume at a moderate level. This will allow you to hear outside sounds and to be considerate of the people around you.

On the battery case

The supplied battery case is designed for use with the MZ-E501 only.

- On cleaning**
 - After wiping the player casing with a soft cloth slightly moistened with water, wipe it again with a dry cloth. Do not use any type of abrasive pad, scouring powder or solvent such as alcohol or benzene as it may mar the finish of the casing.
 - Wipe the disc cartridge with a dry cloth to remove dirt.
 - Dust on the lens may prevent the unit from operating properly. Be sure to close the disc compartment lid after inserting or ejecting an MD.
 - A dirty plug may cause noise or intermittent breaks in the sound during playback. To maintain good sound quality, use a soft cloth to clean the plugs of the headphones/earphones and remote control.

On maintenance (see Fig. ㉓)
If you have any questions or problems concerning your player, please consult your nearest Sony dealer. (If a trouble occurred when the disc was in the player, we recommend that the disc be left in the player when you consult your Sony dealer so that the cause of trouble may be better understood.)

Troubleshooting

The player does not work or works poorly.

- You tried to play with no disc in the player ("NO DISC" flashes on the remote control).
 - Insert an MD.
 - The hold function is activated and the controls are locked. (If you press any of the operation buttons on the player, "HOLD" flashes on the remote control.)
 - Slide HOLD against the direction of the arrow to release the hold function.
- When the remote control is enabled for the making settings ("MENU" appears on the remote control when the buttons on the player are pressed.)
 - End the procedure for making settings using the remote control or disconnect the remote control plug.
 - Moisture has condensed inside the player.
 - Take the MD out and wait for several hours until the moisture evaporates.
- The rechargeable battery or dry battery is weak ("LOW BATT" flashes on the remote control).
 - Replace a new dry battery or recharge the battery.
 - The rechargeable battery or dry battery has been installed incorrectly.
 - Install the battery with correct polarity.
 - An MD with no recording on it is inserted ("BLANKDISC" flashes on the remote control).
 - Insert a recorded MD.

- The player cannot read the disc. (It's scratched or dirty) ("DISC ERR" flashes on the remote control.)
 - Reinsert or replace the disc.
 - While operating, the player received a mechanical shock, too much static, abnormal power voltage caused by lightning etc.
- Restart as follows.
 - Disconnect all the power sources.
 - Leave the player for about 30 seconds.
 - Connect the power source.

The MD does not play normally.

- The player is set to repeat mode. ("ㄹ" is displayed on the remote control.)
 - Press PLAYMODE repeatedly until "ㄹ" disappears, then start playing.
- The disc is playing in group mode.
 - Turn off group mode.

The digital sound preset function does not function.

- The digital sound preset function is off.
 - Press SOUND on the remote control repeatedly to select "SOUND1" or "SOUND2."

Playback sound skips.

- The player is placed where it receives continuous vibration.
 - Put the player on a stable place.
- A very short track may cause sound to skip.

Sound has a lot of static.

- Strong magnetism from a television or such device is interfering with operation.
 - Move the player away from the source of strong magnetism.

Momentary noise is heard.

- The sound was recorded in LP4 stereo mode.
 - Because of the nature of the compression method used in LP4 mode, noise may be heard on very rare occasions when playing back sound recorded in this mode.

The rechargeable battery does not start charging.

- The terminal of the battery charging stand is dirty.
 - Wipe the terminal with a dry cloth.
- The rechargeable battery is not inserted in the player. (When the player is on the battery charging stand, "NO BATT" appears on the remote control when you press one of the operation buttons on the player or the remote control in order to check the battery level.)
 - Insert the rechargeable battery into the player.

The CHARGE lamp does not turn on.

- The rechargeable battery is not inserted in the player.
 - Insert the rechargeable battery into the player.

The player does not operate properly.

- The player is operating while placed on the battery charging stand.
 - Remove the player from the battery charging stand.
- An attempt was made to enter group mode with program play selected.
 - Change to group mode before selecting program play.

No sound comes through the headphones/earphones.

- The headphones/earphones plug is not firmly connected.
 - Connect the headphones/earphones plug firmly to the remote control.
 - Connect the headphones/earphones plug firmly to the jack.
- AVLS is on.
 - Cancel the AVLS function. For more details, see "To cancel the AVLS function" in "Protecting your hearing."

The group function (group mode/group skip mode) does not function.

- An attempt was made to enter group mode while using a disc that has no group settings. ("NO GROUP" appears on the remote control.)
 - Use a disc with group settings.
- An attempt was made to enter group mode while playing a track that belongs to no group. ("Invalid GP" appears on the remote control.)
 - The group function cannot be used while a track that belongs to no groups is playing. Select the track that belongs to group using group skip mode. For more details, see "Selecting and playing desired groups."
- An attempt was made to enter group mode with program play selected.
 - Change to group mode before selecting program play.

Specifications

Audio playing system
MiniDisc digital audio system
Laser diode properties
Material: GaAs
Wavelength:λ=790 nm
Emission duration: continuous
Laser output: less than 44.6 μW*
* This output is the value measured at a distance of 200 mm from the objective lens surface on the optical pick-up block with 7 mm aperture.
Revolutions
Approx. 300 rpm to 2,700 rpm
Error correction
ATRAC (Advanced Cross Interleave Reed Solomon Code)
Sampling frequency
44.1 kHz
Coding
ATRAC (Adaptive Transform Acoustic Coding)
ATRAC3, LP2
ATRAC3: LP4
Modulation system
EFM (Eight to Fourteen Modulation)
Number of channels
2 stereo channels
Frequency response
1 monoaural channel
20 to 20,000 Hz ± 3 dB
Wow and Flutter
Below measurable limits
Outputs
Headphones/earphones: stereo mini-jack, maximum output level 5 mW + 5 mV, load impedance 16 ohms
Power requirements
Nickel metal hydride rechargeable battery
One NH-14WM (supplied): 1.2V, 1,350 mAh (MIN)
One LR6 (size AA) battery (not supplied)
External power jack: Power rating 3V DC
Battery operation time
See "When to replace or recharge the battery."
Dimensions
Approx. 74.5 × 80.5 × 17.9 mm (w/h/d) (3 × 3 1/4 × 7/16 in.) (not including projecting parts and controls)
Mass
Approx. 80 g (2.8 oz) (the player only)
Supplied accessories
Headphones/earphones with a remote control (1)
Battery charging stand (assembly needed)(1)
AC power adaptor (1)
Rechargeable battery (1)
Rechargeable battery carrying case (1)
Dry battery case (1)
Carrying pouch (1)
AC plug adaptor (1) (world model only)

US and foreign patents licensed from Dolby Laboratories.

Design and specifications are subject to change without notice.

中文

要調節音質時 (數字聲音預設) (見圖 ㉒、 ㉓)

- 音質可調節以適合您的喜愛，並能儲存其中的兩種。
- 反復按遙控器上的 SOUND 以選擇 "SOUND1"、"SOUND2"。(見圖 ㉒ ㉔)
 - 播放中，按住遙控器上的 SOUND 2 秒鐘或更長 (見圖 ㉒ ㉔)。唱機切換成低音設定模式。再按一次 SOUND 2 秒鐘，唱機回到高音設定模式。
 - 反復按遙控器上的控制鈕以調節低音或高音。(見圖 ㉒ ㉔) 當調節低音時，如果按住 SOUND 2 秒鐘以上，顯示切換到高音 (反之亦然)。調節高低音時，如果短暫按一下 SOUND，此聲音設定即被輸入，顯示切換到其它聲音設定。
 - 按遙控器上的 RPT/ENT。聲音設定被儲存，再次出現播放顯示。

要選擇預設聲音時
反復按遙控器上的 SOUND 以選擇 "SOUND1"、"SOUND2"。選擇不顯示以關掉數字聲音預設功能 (工廠設定)。

數字聲音預設的工廠設定
數字聲音預設的工廠設定為：

- "SOUND1": 低音 +1，高音 ±0
- "SOUND2": 低音 +3，高音 ±0

- 要註*
 - 當播放暫停片刻時，也可設定數字音預調。
 - 唱機上的操作按鈕不能改變設定。
 - 使用數字音預設時，因設定或曲子的理由，播放的聲音可能中斷或失真，此時，請改變音質設定。

保護聽覺 (AVLS) (見圖 ㉒、 ㉓)

AVLS (Automatic Volume Limiter system, 自動音量限制系統) 功能可限制最大音量以保護您耳朵聽覺。

- 播放中，按遙控器上的 DISPLAY 至少 2 秒或以下。
- 反復旋轉遙控器上的控制器至顯示器中閃爍著 "AVLS" 然後按遙控器上的 ■。
- 反復旋轉遙控器上的控制器至顯示器中閃爍著 "AVLS ON" 然後按遙控器上的 ■。

要在唱機上設定 AVLS 功能時

播放中，請將 HOLD 滑向 ↞，然後，按著 VOL → 同時把 HOLD 滑向相反方向。

要解除 AVLS 功能時

在遙控器上，請在步驟 3 中選擇 "AVLS OFF" 並按遙控器上的 ■。

在唱機上，則在播放中沿 ↞ 方向滑動 HOLD，然後按著 VOL →，同時將 HOLD 滑向相反方向。

關掉靜音 (見圖 ㉔)

能關掉在頭戴耳機／耳機中聽到的靜音。

- 按下遙控器上的 DISPLAY 2 秒或更久。
- 反復旋轉遙控器上的控制器至顯示器中閃爍著 "BEEP" 然後按遙控器上的 ■。
- 反復旋轉遙控器上的控制器至顯示器中閃爍著 "BEEP OFF" 然後按遙控器上的 ■。

要鎖住控制鈕時 (HOLD) (見圖 ㉓)

- 在遙控器上把 HOLD 朝 ↞ 方向滑動以鎖住遙控器的控制鈕。在唱機上把 HOLD 朝 ↞ 方向滑動以鎖住唱機的控制鈕。

要解鎖控制鈕時
朝前頭的相反方向滑動 HOLD。

►附加資訊

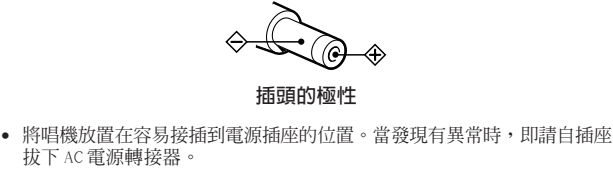
使用前須注意

安全須知

- 務必將唱機放在附帶的袋中。如果唱機、電池充電架或電池盒的端子突然和金屬物體接觸，可能發生短路而發熱。
- 如果電池或電池盒的端子接觸金屬物體或金屬表面。此種接觸可能引起端子短路，導致危險的發熱。當攜帶唱機時，應將電池盒裝在唱機上，並將唱機放入附帶的袋中。
- 按箭頭反方向滑動 HOLD 以釋放保持功能。
- 當攜帶附帶的充電電池時，一定要把它放入附帶的充電池便攜袋中。否則可能引起短路而生熱。
- 不要把乾電池或電池盒與硬幣、鑰匙圈或項鍊等金屬物體放在一起。否則可能引起短路而生熱。
- 不正確的使用電池可能導致漏液或脹裂。為防止此類情況，請遵守下列注意事項：
 - 安裝電池時，+/- 極性要正確。
 - 不要對乾電池充電。
 - 如果電池形成漏液，先將電池池中的漏液小心徹底地擦除乾淨，然後插入新電池。
 - 如果打算長期停用唱機，一定要斷開電源 (AC 電源轉接器、乾電池、充電池或電池充電架)。要從電源轉接器時，決不能拉電線，而應抓住轉接器插頭。

使用 AC 電源轉接器須

- 在家裡使用：請使用附帶的 AC 電源轉接器 AC-E30HG。不可使用任何其他 AC 電源轉接器。因為可能會引起唱機故障。



唱頭的極性

- 將唱機放置在容易接插到電源插座的位臚。當發現有異常時，即請自插板按下 AC 電源轉接器。

充電須知

- 附帶的電池充電架，只適用於 MZ-E501。是不能給任何其他型號充電電池的。
- 除指定的電池以外，MZ-E501 請別用於給任何其他型號電池充電的。
- 在充電中，充電器和充電池可能變熱，這沒有危險，請放心。
- 由於電池的特性緣故，當它第一次使用或在長期不用後，使用時間可能較正常為短。此時，請給電池進行數次充電，即能恢復正常的電池壽命。
- 如果充電池使用時間降到正常的一半，就更換新電池。
- 電池充電後，請立即從充電架卸下唱機並從電源插座拔下充電池充電架，否則可能導致電池性能減退。
- 當唱機放在電池充電架時一起使用時，CHARGE 燈即將熄滅。在充電當中，您如果從電池充電架上取下唱機超過 3 秒，則 CHARGE 燈將在下次再把唱機放在充電架上時起算的大約 0.5 小時之後才復燃。

保管須知

- 不要將錄音唱機或使唱機受衝擊，因可能損壞唱機。
- 不要把遙控器或頭戴耳機、耳機的電線。
- 不要把唱機放在下列地方：
 - 極其熱的地方 (超過 60°C)
 - 陽光直射或接近熱源的地方
 - 車庫棧上的汽車內 (特別在夏天)
 - 潮濕的地方，如浴室
 - 靠近電磁場的地方，如磁鐵、揚聲器或電視機
 - 多塵的地方

磁熱須知
如果唱機使用很長一段時間，可能生熱，但這不是故障。

機械雜音須知
播放時，唱機發出機械雜音，這是由唱機的節電系統引起的，這不是故障。

關於安裝

- 決不要在光線很強，溫度、濕度很高或振動很大的地方使用唱機。
- 不要把 MD 盒放在強光、高濕、高濕或多塵的地方。
- 不要將 MD 上指定區域外貼標籤。應保護膠貼在碟片的閉區區域內。

關於遙控器

附帶的遙控器僅適用於 MZ-E501，也請注意此唱機不能用其他型號的遙控器控制。

MD 盒須知

- 不要直接觸摸內部的光盤。強制打開盒門可能損壞內部的光盤。
- 攜帶光盤時，一定請裝在盒裡攜帶。
- 當攜帶移動迷你光盤時，一定請把它裝在盒裡。
- 不要將 MD 盒放在強光、高濕、高濕或多塵的地方。
- 不要在 MD 上指定區域外貼標籤。應保護膠貼在碟片的閉區區域內。

頭戴耳機／耳機須知

路上安全

- 騎自行車或駕駛任何機械車輛時，不要使用頭戴耳機／耳機。它可能造成交通危險，且在一些地區是違法的。走路時，特別是過馬路時，高音量播放吸碟也可能很危險。在有潛在危險情況下，應十分小心或停止使用。
- 如您對附帶的頭戴耳機／耳機過敏，立即停止使用，向醫生或 Sony 服務中心咨詢。

防止磨損聽力

- 當您長時間使用頭戴耳機／耳機。聽力專家反對持續、高音量的收聽。如果您患有耳鳴經驗，請降低音量或停止使用。

其他注意事項
音響應保持在適當水準，這使您可聽到外面的聲音並可顯慮到周圍的人。

電池盒須知

附帶的電池盒僅用於 MZ-E501。

清潔須知

- 用蘸有一點水的軟布擦拭唱機外殼後，再用乾布擦一次。不要使用任何鋼絲絨、去污粉或酒精、苯之類的溶劑。它們可能會損壞外殼的漆面。
- 用乾布擦拭光盤盒去除灰塵。
- 鏡面鏡上的灰塵可能影響唱機正常工作。插入或彈出 MD 後，一定要關閉光盤盒。
- 插頭斷了，則在播放中可能產生雜音或聲音中斷，為保持良好的音質，使用軟布清潔頭戴耳機／耳機和遙控器的插頭。

保養須知 (參看圖 ㉔)

如果有任何關於唱機的疑問，請諮詢附近的 Sony 經銷商。(若唱碟在錄音機內時發生故障，我們建議您將唱碟留在機內，以便在您詢問 Sony 經銷商時，其能更好地查明原因。)

選購配件

唱機不工作或工作不正常。

- 唱機中無光盤而試圖播放 (遙控器上閃爍著 "NO DISC")。
 - 插入 MD。
 - 保持功能激活，控制鈕被鎖住 (如果按唱機上任何一個操作按鈕，"HOLD" 在遙控器上閃爍)。
 - 按箭頭反方向滑動 HOLD 以釋放保持功能。
- 遙控器能進行設定時 (按唱機上的按鍵時遙控器上 "MENU" 出現)。
 - 用遙控器來設定進程或取出遙控器插頭。
 - 潮氣已在唱機內凝結。
 - 取出 MD，等待數小時直到潮氣散發。
 - 充電池或乾電池用完了 (遙控器上 "LOW BATT" 閃爍)。
 - 更換新電池或對電池充電。
 - 充電池或乾電池安裝不正確。
 - 校正極性性安裝電池。
 - 插入了空白的 MD (遙控器上 "BLANKDISC" 閃爍)。
 - 插入已廢棄的 MD。
 - 唱機無法讀取光盤 (碟片被劃傷或損壞) 遙控器上 "DISC ERR" 閃爍)
- 重新插入或更換光盤。
- 工作時，由於閃電等唱機經受到機械震動、很大的靜電干擾或由閃電等引起的異常電壓。
 - 按如下方法重起動：
 - 斷開所有電源。
 - 唱機停止工作約 30 秒鐘。
 - 重新開機。

美國和外國之註冊專利由杜比實驗室提供。

設計和規格如有更改恕不另行通知。

選購配件

- NH-14WM 氯化鎳充電式電池
- CPM-9C 汽車接線器
- NBR 系列立體聲頭戴耳機／耳機*
- SRS 系列主動揚聲器
- 便攜袋

*不管將頭戴耳機／耳機直接插到主機上的 ρ 插口還是插到遙控器上，只能使用立體聲迷你插頭的頭戴耳機／耳機。帶微型插頭的頭戴耳機／耳機不能使用。

您的經銷商可能沒有上面所列的一些附件，請諮詢經銷商在您所在國家可買到附件的詳細資訊。

不能正常地播放 MD。

- 唱碟

Free Manuals Download Website

<http://myh66.com>

<http://usermanuals.us>

<http://www.somanuals.com>

<http://www.4manuals.cc>

<http://www.manual-lib.com>

<http://www.404manual.com>

<http://www.luxmanual.com>

<http://aubethermostatmanual.com>

Golf course search by state

<http://golfingnear.com>

Email search by domain

<http://emailbydomain.com>

Auto manuals search

<http://auto.somanuals.com>

TV manuals search

<http://tv.somanuals.com>