

Personal Audio System

Operating Instructions

GB

ZS-S50CP

© 2007 Sony Corporation Printed in China
http://www.sony.net/

WARNING

To reduce the risk of fire or electric shock, do not expose this apparatus to rain or moisture.

To avoid electrical shock, do not open the cabinet. Refer servicing to qualified personnel only.

To reduce the risk of fire, do not cover the ventilation of the apparatus with newspapers, tablecloths, curtains, etc. And do not place lighted candles on the apparatus.

To reduce the risk of fire or electric shock, do not place objects filled with liquids, such as vases, on the apparatus. Connect the apparatus to an easily accessible AC outlet. Should you notice an abnormality in the apparatus, disconnect the main plug from the AC outlet immediately.

Do not install the appliance in a confined space, such as a bookcase or built-in cabinet.

Notes on DualDiscs

A DualDisc is a two sided disc product which mates DVD recorded material on one side with digital audio material on the other side. However, since the audio material side does not conform to the Compact Disc (CD) standard, playback on this product is not guaranteed.

Music discs encoded with copyright protection technologies

This product is designed to playback discs that conform to the Compact Disc (CD) standard. Recently, various music discs encoded with copyright protection technologies are marketed by some record companies. Please be aware that among those discs, there are some that do not conform to the CD standard and may not be playable by this product.

Notice for customers in the United Kingdom

A moulded plug complying with BS 1363 is fitted to this equipment for your safety and convenience.

Should the fuse in the plug supplied need to be replaced, same rating fuse approved by ASTA or BSI to BS 1362, (i.e. marked with ⚡ or ⚡ mark) must be used.

If the plug supplied with this equipment has a detachable fuse cover, be sure to attach the fuse cover after you change the fuse. Never use the plug without the fuse cover. If you should lose the fuse cover, please contact your nearest Sony service station.

MPEG Layer-3 audio coding technology and patents licensed from Fraunhofer IIS and Thomson.

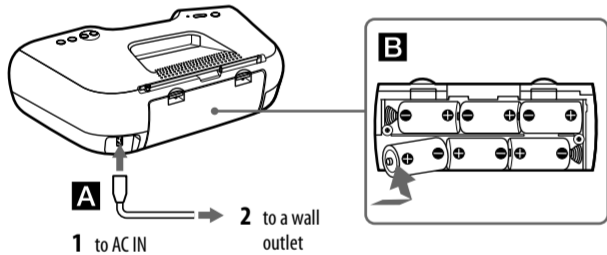


Disposal of Old Electrical & Electronic Equipment (Applicable in the European Union and other European countries with separate collection systems)

This symbol on the product or on its packaging indicates that this product shall not be treated as household waste. Instead it shall be handed over to the applicable collection point for the recycling of electrical and electronic equipment. By ensuring this product is disposed of correctly, you will help prevent potential negative consequences for the environment and human health, which could otherwise be caused by inappropriate waste handling of this product. The recycling of materials will help to conserve natural resources. For more detailed information about recycling of this product, please contact your local Civic Office, your household waste disposal service or the shop where you purchased the product.

Applicable accessories: Remote control

Power sources



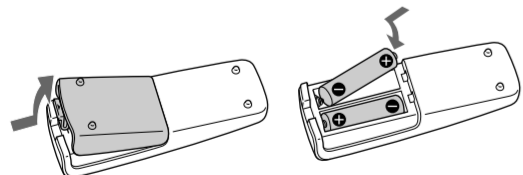
Connect the AC power cord **A** or insert six R20 (size D) batteries (not supplied) into the battery compartment **B**.

Notes

- Replace the batteries when the OPR/BATT indicator **2** dims or when the unit stops operating. Replace all the batteries with new ones. Before you replace the batteries, be sure to take out the CD from the unit.
- To use the unit on batteries, disconnect the AC power cord from the unit.
- When you operate the unit on batteries, you cannot turn on the unit using the remote.

Preparing the remote

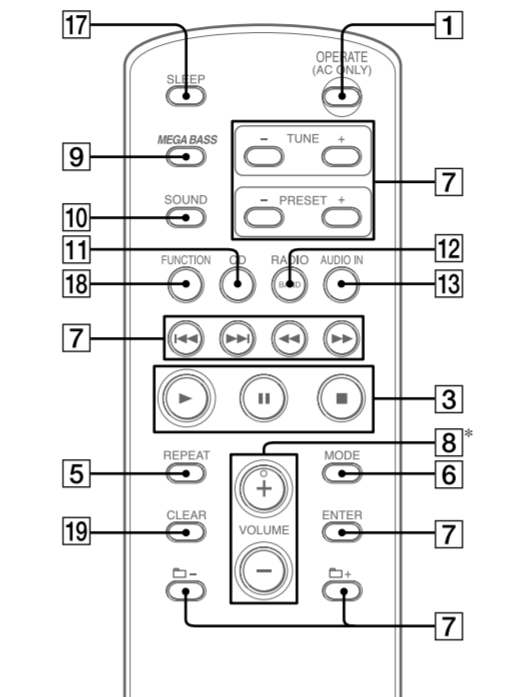
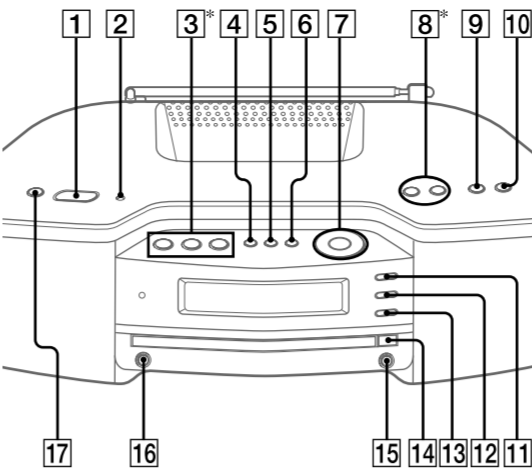
Insert two R6 (size AA) batteries (not supplied).



Replacing batteries

With normal use, the batteries should last for about six months. When the remote no longer operates the unit, replace all the batteries with new ones.

Basic Operations



* VOLUME + **8** and **▶ 3** on the unit have a tactile dot.

Before using the unit

To turn on/off the power

Press OPERATE **1**.

To adjust the volume

Press VOLUME +, - **8**.

To listen through headphones

Connect the headphones to the (headphones) jack **16**.

To select the sound characteristic

Press SOUND **10** repeatedly to select the audio emphasis you want.

Choose	To get
	Powerful, clean sounds, emphasizing low and high range audio
	Light, bright sounds emphasizing high and middle range audio
	Percussive sounds, emphasizing bass audio
	The presence of vocals, stressing middle range audio
	The whole dynamic range for music such as classical music

To reinforce the bass sound

Press MEGA BASS **9** to display "MEGA BASS" in the display. To return to normal sound, press MEGA BASS **9** to disappear from the display.

Playing a CD/MP3 disc

1 Press CD **11** on the unit.

"CD" appears in the display.

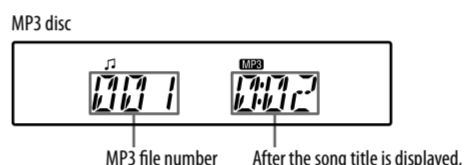
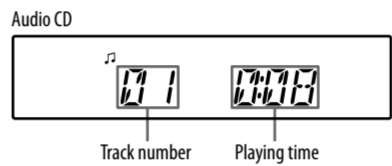
2 Press **▶ 14** on the unit, and place a disc with the label side up on the CD tray.

To close the CD tray, press **▲ 14** on the unit.



3 Press **▶ 3** on the unit.

The unit plays all the tracks/MP3 files once. When you place MP3 discs, "MP3" appears in the display after the unit reads the file information.



* If the playing time is more than 100 minutes, it appears "-:--:" in the display.

To	Press
Pause playback	 3
Stop playback	■ 3
Go to the next track/MP3 file	▶▶▶▶ (▶▶▶▶ on the remote) 7
Go back to the previous track/MP3 file	◀◀◀◀ (◀◀◀◀ on the remote) 7
Select a folder on an MP3 disc	□/PRESET + (□+ on the remote) 7 to go forward and □/PRESET - (□- on the remote) 7 to go backward.
Locate a point while listening to the sound	▶▶▶▶ (forward) or ◀◀◀◀ (backward) 7 while playing and hold it until you find the point. (On the remote, use ▶▶ or ◀◀ 7)
Locate a point while observing the display	▶▶▶▶ (forward) or ◀◀◀◀ (backward) 7 in pause and hold it until you find the point. (On the remote, use ▶▶ or ◀◀ 7)
Remove the CD	▲ 14

On the remote

To select CD function, press FUNCTION **18** repeatedly to select "CD" in the display.

Tips

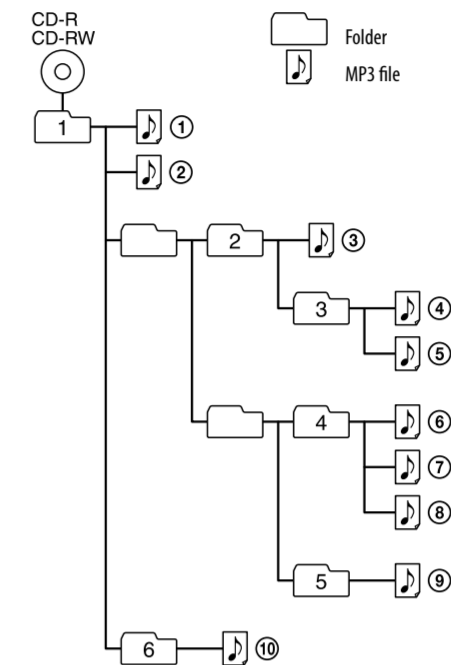
- Playback starts from the track/MP3 file you last stopped playing (Resume play). During stop, the track/MP3 file number to be played is displayed.
- To cancel the resume play (to start play from the beginning of the first track/MP3 file), press **■ 3** while the CD is stopped. When you open the CD tray or turn off the unit, the resume play is also canceled.

Notes

- When pressing **7** (**▶▶▶▶**, **◀◀◀◀**, **▶**, **◀**) on the unit, press the marking at the part near the outer edge.
- You cannot locate a specific track if "SHUF" or "PGM" is lit in the display. Press **■ 3**, and then press MODE **6** repeatedly until "SHUF" and "PGM" disappears from the display.

Example of folder structure and playing order

The playing order of the folders and files is as follows:



Notes on MP3 discs

- When the disc is inserted, the unit reads all the files on that disc. During this time, "READING" is displayed. If there are many folders or non-MP3 files on the disc, it may take a long time for play to begin or for the next MP3 file to start play. We recommend that you do not save unnecessary folders or files other than MP3 ones in the disc to be used for MP3 listening.
- A folder that does not include an MP3 file is skipped.
- Maximum number of files: 255
- Maximum number of folders: 150 (including the root folder)
- Maximum number of folders and files in total: 300
- Maximum directory levels: 8
- Folder names and file names can be displayed with up to 32 characters including quotation marks.
- The characters A - Z, 0 - 9, and _ can be displayed on this unit. Other characters are displayed as ". _".
- This unit conforms to Version 1.0, 1.1, 2.2, 2.3 and 2.4 of the ID3 tag format. When the file has the ID3 tag information, "song title", "artist name" and "album name" can be displayed. If the file does not have the ID3 tag information, "NO TITLE" appears instead of song title, "NO ARTIST" appears instead of artist name and "NO ALBUM" appears instead of album name. The ID3 tag information can be displayed with up to 30 characters.
- The characters may not be displayed correctly according to the character code.
- When naming, be sure to add the file extension "mp3" to the file name.
- If you put the extension "mp3" to a file other than an MP3 file, the unit cannot recognize the file properly and will generate random noise that could damage your speakers.
- The file name does not correspond to the ID3 tag.

Listening to the radio

To listen to FM or AM

- Press RADIO BAND•AUTO PRESET **12** on the unit (RADIO•BAND **12** on the remote) repeatedly to select FM or AM.
- Hold down TUNE + or - **7** until the frequency digits begin to change in the display. The unit automatically scans the radio frequencies and stops when it finds a clear station. If you cannot tune in a station, press TUNE + or - **7** repeatedly to change the frequency step by step. When an FM stereo broadcast is received, "ST" appears.

Tip

If the FM broadcast is noisy, press MODE **6** until "MONO" appears in the display and the radio will play in monaural.

Other Operations

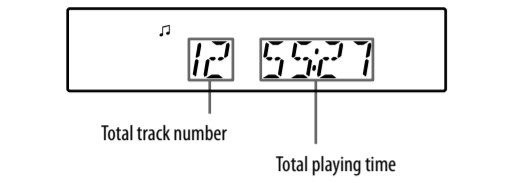
Using the display

You can check information about the CD using the display.

Checking the information of an audio CD

To check the total track number and playing time of the CD

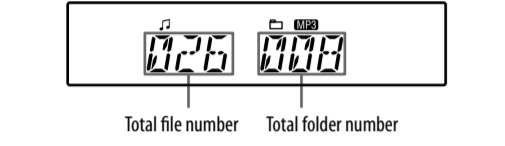
Press **■** **[3]** to stop the CD playback.



Checking the information of an MP3 disc

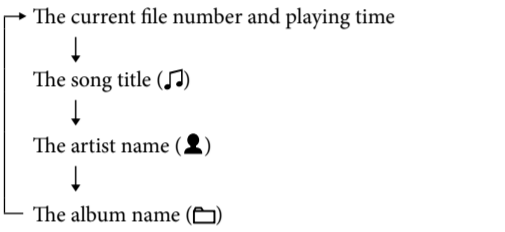
To check the total folder number and total file number on the CD

Press **■** **[3]** while the CD is stopped, and you can check them in the display.



To check file information

Press DISPLAY **[4]** on the unit while playing an MP3 disc. The display changes as follows:



Playing tracks/MP3 files repeatedly (Repeat Play)

You can play tracks/MP3 files repeatedly in normal, Shuffle or Program play modes.

- Press CD **[1]**.

“CD” appears in the display.
- Proceed as follows.

To repeat	Do this
A single track/MP3 file	1 Press REPEAT [5] until “ ↺ ” appears. 2 Press ◀◀◀ or ▶▶▶ (◀◀ or ▶▶) on the remote [7] to select the track/MP3 file that you want to repeat. 3 Press ▶ [3] .
All tracks/MP3 files on the CD	1 Press REPEAT [5] until “ ↺ ” appears. 2 Press ▶ [3] .
A selected folder (MP3 disc only)	1 Press MODE [6] until “ 📁 ” appears, and then press REPEAT [5] until “ ↺ ” appears. 2 Select the folder by pressing 📁 /PRESET + or – (📁 + or – on the remote) [7] . 3 Press ▶ [3] .
Tracks/MP3 files in random order	1 Select Shuffle Play (see “Playing tracks/MP3 files in random order”). 2 Press REPEAT [5] until “SHUF” and “ ↺ ” appear. 3 Press ▶ [3] .
Files in a selected folder in random order (MP3 disc only)	1 Start Folder Shuffle Play (see “Playing tracks/MP3 files in random order”). 2 Press REPEAT [5] on the unit until “ ↺ ”, “SHUF” and “ 📁 ” appear. 3 Press ▶ [3] .
Programed tracks/MP3 files	1 Program tracks/MP3 files (see “Creating your own program”). 2 Press REPEAT [5] until “ ↺ ” and “PGM” appear. 3 Press ▶ [3] .

On the remote

To select the CD function, press FUNCTION **[18]** repeatedly until “CD” appears in the display.

To cancel Repeat Play

Press REPEAT **[5]** until “**↺**” disappears from the display.

Playing tracks/MP3 files in random order (Shuffle Play)

You can play tracks/MP3 files in random order. When playing an MP3 disc, you can also play MP3 files in a selected folder in random order (Folder Shuffle Play).

- Press CD **[1]**.

“CD” appears in the display.
- Press MODE **[6]** until “SHUF” appears in the display. When you select Folder Shuffle Play (MP3 disc only), press MODE **[6]** on the unit until “**📁**” and “SHUF” appear in the display. Then press **📁**/PRESET + or – **[7]** on the unit to select a folder you want.
- Press **▶** **[3]** on the unit to start Shuffle Play.

On the remote

To select the CD function, press FUNCTION **[18]** repeatedly until “CD” appears in the display.

To cancel Shuffle Play

Stop playing first. Then press MODE **[6]** repeatedly until “SHUF” disappears from the display.

Tips

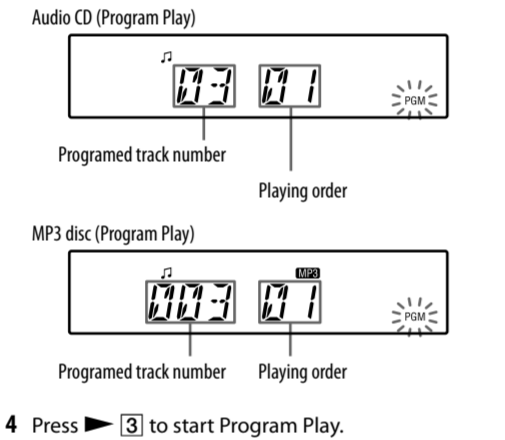
- During Shuffle Play, you cannot select the previous track/MP3 file by pressing **◀◀◀** (**◀◀** on the remote) **[7]**.
- The resume function does not work during Shuffle Play.

Creating your own program (Program Play)

You can arrange the playing order of up to 20 tracks on a CD.

- Press CD **[1]**.

“CD” appears in the display.
- Press MODE **[6]** repeatedly until “PGM” flashes in the display.
- Press **◀◀◀** or **▶▶▶** (**◀◀** or **▶▶**) on the remote **[7]** then press ENTER **[7]** for the track/MP3 files you want to program in the order you want. For MP3 files, press **📁**/PRESET + or – **[7]** first and then press ENTER **[7]**.



- Press **▶** **[3]** to start Program Play.
- On the remote**
- To select the CD function, press CD **[1]**.
- To cancel Program Play**
- Stop playing first. Then press MODE **[6]** repeatedly until “PGM” disappears from the display.

To delete the last track of the program

Press CLEAR **[19]** on the remote while the player is stopped.

To check the order of tracks before play

Press ENTER **[7]**. Every time you press the button, the track number appears in the programed order.

To change the current program

Press **■** **[3]** once if the CD is stopped and twice if the CD is playing. The current program will be erased. Then create a new program following the programing procedure.

Tips

- If you try to program 21 tracks/MP3 files or more, “FULL” will appear in the display.
- You can play the same program again, since the program is saved until you open the CD tray or turn off the power of the unit.
- The resume function does not work during Program Play.

Presetting radio stations

You can store radio stations into the unit’s memory. You can preset up to 30 radio stations, 20 for FM and 10 for AM in any order.

- Press RADIO BAND•AUTO PRESET **[12]** on the unit to select the band.
- Hold down RADIO BAND•AUTO PRESET **[12]** on the unit for 2 seconds until “AUTO” flashes in the display.
- Press ENTER **[7]** while “AUTO” flashes in the display. The stations are stored in memory from the lower frequencies to the higher ones.

If a station cannot be preset automatically

You need to preset a station with a weak signal manually.

- Press RADIO BAND•AUTO PRESET **[12]** on the unit to select the band.
- Tune in a station you want.
- Hold down ENTER **[7]** on the unit for 2 seconds until the preset number flashes in the display.
- Press **📁**/PRESET + or – **[7]** on the unit until the preset number you want for the station flashes in the display.
- Press ENTER **[7]** on the unit.

The new station replaces the old one.

On the remote

- Press RADIO•BAND **[12]** repeatedly until the band you want appears in the display.
- Tune in a station you want.
- Hold down ENTER **[7]** for 2 seconds until the preset number flashes in the display.
- Press PRESET + or – **[7]** until the preset number you want for the station flashes in the display.
- Press ENTER **[7]**.

The new station replaces the old one.

Tip

The preset radio stations remain in memory even if you unplug the AC power cord or remove the batteries.

Playing preset radio stations

- Press RADIO BAND•AUTO PRESET **[12]** on the unit (RADIO•BAND **[12]** on the remote) to select the band.
- Press **📁**/PRESET + or – **[7]** on the unit (PRESET + or – **[7]** on the remote) to tune in the stored station.

Falling asleep to music

- Play the music source you want.
- Press SLEEP **[17]** on the unit to display “SLEEP”.
- Press SLEEP **[17]** on the unit to select the minutes until the unit goes off automatically.

Each time you press the button, the indication changes as follows:

“AUTO” → “60MIN” → “30MIN” → “20MIN” → “10MIN” → “OFF”.

* When you select “AUTO”, the CD stops playing in 90 minutes at most and the unit goes off automatically. When you are listening to the radio, the radio goes off in 90 minutes.

If 4 seconds have passed after you pressed SLEEP **[17]**, the minutes in the display are entered.

When the preset time has passed, the unit goes off automatically.

To cancel the sleep function

Press OPERATE **[1]** to turn off the power.

Tip

The display’s backlight goes off while sleeping time is active.

Precautions

Discs that this unit CAN play

- Audio CD
- CD-R/CD-RW (CD-DA*/MP3 files)
- CD-DA is the abbreviation for Compact Disc Digital Audio. It is a recording standard used for Audio CDs.

Discs that this unit CANNOT play

- CD-R/CD-RW other than those recorded in music CD format or MP3 format conforming to ISO9660 Level 1/Level 2 or Joliet
- CD-R/CD-RW of poor recording quality, CD-R/CD-RW that has scratches or are dirty, or CD-R/CD-RW recorded with an incompatible recording device
- CD-R/CD-RW which is finalized incorrectly

Notes on discs

- Before playing, clean the CD with a cleaning cloth. Wipe the CD from the center out. If there is a scratch, dirt or fingerprints on the CD, it may cause tracking error.



- Do not use solvents such as benzine, thinner, commercially available cleaners or anti-static spray intended for vinyl LPs.
- Do not expose the CD to direct sunlight or heat sources such as hot air ducts, nor leave it in a car parked in direct sunlight as there can be a considerable rise in temperature inside the car.
- Do not stick paper or sticker on the CD, nor scratch the surface of the CD.
- After playing, store the CD in its case.

On safety

- As the laser beam used in the CD player section is harmful to the eyes, do not attempt to disassemble the casing. Refer servicing to qualified personnel only.
- Should any solid object or liquid fall into the unit, unplug the unit, and have it checked by qualified personnel before operating it any further.
- Discs with non-standard shapes (e.g., heart, square, star) cannot be played on this unit. Attempting to do so may damage the unit. Do not use such discs.

On power sources

- For AC operation, use the supplied AC power cord; do not use any other type.
- The unit is not disconnected from the AC power source (mains) as long as it is connected to the wall outlet, even if the unit itself has been turned off.
- Unplug the unit from the wall outlet when it is not used for an extended period of time.
- When the batteries are not to be used, remove them to avoid damage that can be caused by battery leakage or corrosion.
- The nameplate indicating operating voltage, power consumption, etc. is located at the bottom.

On placement

- Do not leave the unit in a location near heat sources, in a place subject to direct sunlight, excessive dust or mechanical shock or in a car subject to the direct rays of the sun.
- Do not place the unit on an inclined or unstable place.
- Do not place anything within 10 mm of the side of the cabinet. The ventilation holes must be unobstructed for the unit to operate properly and prolong the life of its components.
- Since a strong magnet is used for the speakers, keep personal credit cards using magnetic coding or spring-wound watches away from the unit to prevent possible damage from the magnet.

On operation

- If the unit is brought directly from a cold to a warm location, or is placed in a very damp room, moisture may condense on the lens inside the CD player section. Should this occur, the unit will not operate properly. In this case, remove the CD and wait about an hour for the moisture to evaporate.

Cleaning the cabinet

- Clean the cabinet, panel and controls with a soft cloth slightly moistened with a mild detergent solution. Do not use any type of abrasive pad, scouring powder, or solvent, such as alcohol or benzine.

If you have any questions or problems concerning your unit, please consult your nearest Sony dealer.

Troubleshooting

Remote

The remote does not function.

- Replace all the batteries in the remote with new ones if they are weak.
- Make sure that you are pointing the remote at the remote sensor on the unit.
- Remove any obstacles in the path of the remote and the unit.
- Make sure the remote sensor is not exposed to strong light such as direct sunlight or fluorescent lamp light.
- Move closer to the unit when using the remote.

To reset the unit to factory settings

If the unit still does not operate properly, reset the unit to factory settings.

Use buttons on the unit to reset the unit to its factory default settings.

- Remove all the batteries from the unit.
- Disconnect and reconnect the power cord, and then turn on the unit.
- Press **■** **[3]**, ENTER **[7]** and OPERATE **[1]** on the unit at the same time.

All user-configured settings, such as preset radio stations, are deleted.

After trying the remedies, if the problem persists, please consult your nearest Sony dealer.

General

The power is not on.

- Connect the AC power cord to the wall outlet securely.
- Make sure the batteries are inserted correctly.
- Replace all the batteries with new ones if they are weak.
- You cannot turn on the unit with the remote when you operate the unit on batteries.

There is no audio.

- Make sure the function you want to use appears in the display window.
- Unplug the headphones when listening through speakers.

Noise is heard.

- Someone is using a portable telephone or other equipment that emits radio waves near the unit. → Move the portable telephone, etc., away from the unit.

CD/MP3 player

The CD does not play or “NO DISC” is displayed even when a CD is in place.

- Place the CD with the label surface up.
- Clean the CD.
- Take out the CD and leave the CD tray open for about an hour to dry moisture condensation.
- The CD-R/CD-RW is blank.
- There is a problem with the quality of the CD-R/CD-RW, recording device or application software.
- Replace all the batteries with new ones if they are weak.

The sound drops out.

- Reduce the volume.
- Clean the CD, or replace it if the CD is badly damaged.
- Place the unit in a location free from vibration.
- Clean the lens with a commercially available blower.
- The sound may drop out or noise may be heard when using poor quality CD-R/CD-RW or if there is a problem with the recording device or application software.

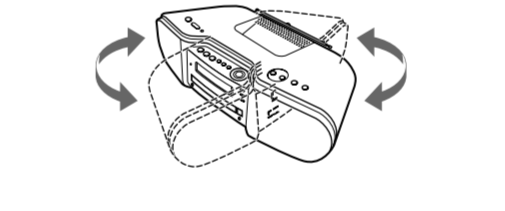
Radio

Reception is poor.

- Reorient the antenna to improve FM reception.



- Reorient the unit itself to improve AM reception.



The audio is weak or has poor quality.

- Replace all the batteries with new ones if they are weak.
- Move the unit away from the TV.
- If you are using the remote while listening to AM radio, noise may be heard.

The picture of your TV becomes unstable.

- If you are listening to an FM program near the TV with an indoor antenna, move the unit away from the TV.

Free Manuals Download Website

<http://myh66.com>

<http://usermanuals.us>

<http://www.somanuals.com>

<http://www.4manuals.cc>

<http://www.manual-lib.com>

<http://www.404manual.com>

<http://www.luxmanual.com>

<http://aubethermostatmanual.com>

Golf course search by state

<http://golfingnear.com>

Email search by domain

<http://emailbydomain.com>

Auto manuals search

<http://auto.somanuals.com>

TV manuals search

<http://tv.somanuals.com>