

DAB DIGITAL RADIO

Operating Instructions
Manual de instrucciones

DAB
Digital Audio Broadcasting

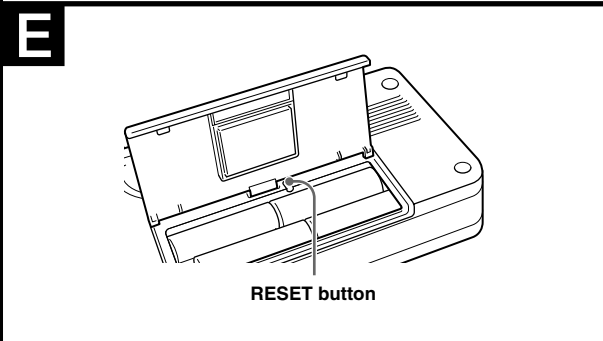
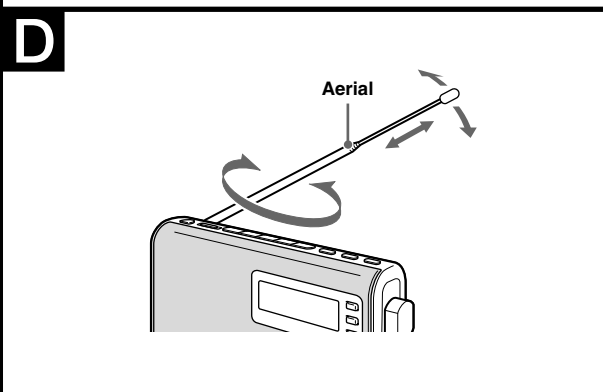
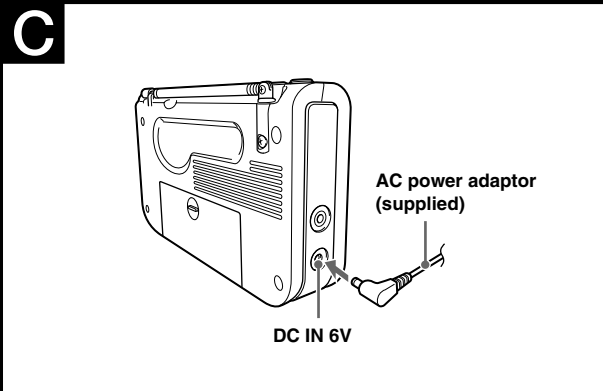
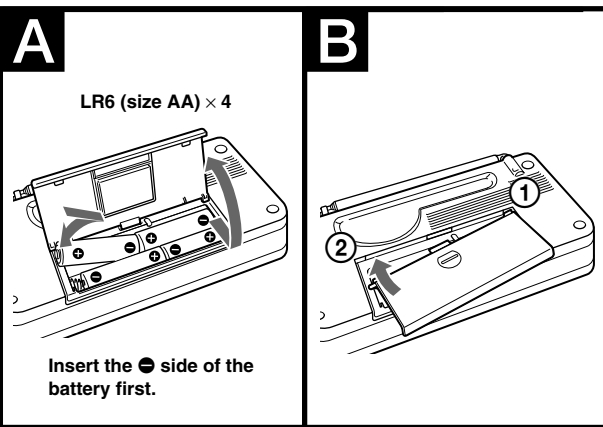
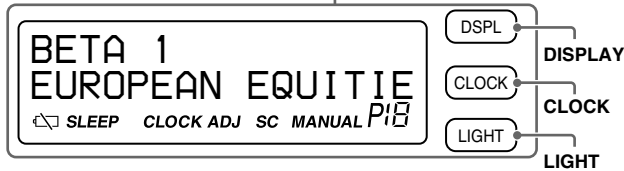
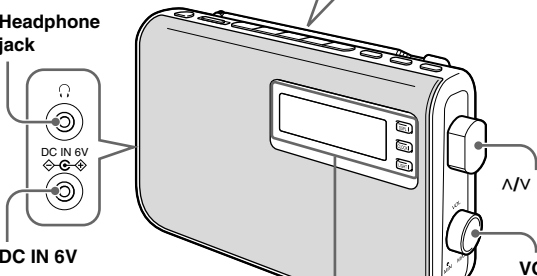
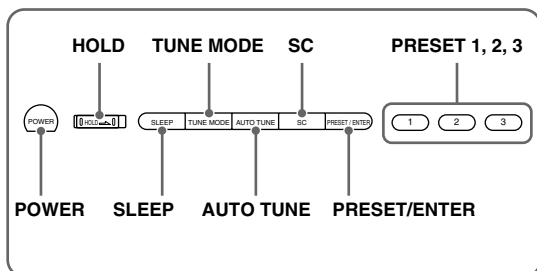
XDR-S50



Printed on 100% recycled paper using VOC (Volatile Organic Compound)-free vegetable oil based ink.

© 2006 Sony Corporation Printed in China

http://www.sony.net/



English

WARNING

To reduce the risk of fire or electric shock, do not expose this apparatus to rain or moisture.

To avoid electrical shock, do not open the cabinet. Refer servicing to qualified personnel only.

Do not install the appliance in a confined space, such as a bookcase or built-in cabinet.

To reduce the risk of fire or electric shock, do not place objects filled with liquids, such as vases, on the apparatus.

Connect the AC power adaptor to an easily accessible AC outlet. Should you notice an abnormality in the AC power adaptor, disconnect it from the AC outlet immediately.

Features

- DAB(Band-III) Digital Radio.
- Easy view, 2-line character dot LCD display.
- Simple operation for station selection.
- Three Direct preset station buttons.
- Sleep timer and clock display.
- Stereo headphone jack.
- Battery (LR6 × 4) or mains operated.

Choosing power sources

Installing Batteries (See fig. A)

- 1 Open the battery compartment at the rear of the unit.
- 2 Install four LR6 (size AA) alkaline batteries (not supplied), observing polarity, and then close the lid.

Battery Life (Approx. hours)	(JEITA*)
When using	DAB
Sony alkaline LR6 (size AA)	9

* Measured by JEITA (Japan Electronics and Information Technology Industries Association) standards. The actual battery life may vary depending on the circumstance of the unit.

Knowing when to replace the batteries

When the batteries become weak, the sound becomes weak and distorted. When the batteries are completely exhausted, "SC" appears on the display and the power is turned off. When "SC" appears, replace all batteries with new ones. After the batteries are replaced, press **POWER** to turn the indication off.

Notes on replacing the batteries

- Do not take more than about 1 minutes to replace the batteries, otherwise the clock, any lists of receivable broadcasts for DAB scan, preset favourite services and all settings will be initialized. Should that happen, set the functions again.
- If the batteries are replaced while the power is on, the unit may revert to the factory setting.

Notes on batteries

- Do not attempt to recharge dry batteries.
- Do not carry batteries with coins or other metallic objects. It can generate heat if the positive and negative terminals of the batteries are accidentally contacted by a metallic object.
- If you are not going to use the unit for a long time, remove the batteries to avoid damage from battery leakage and corrosion.
- Do not use different types of batteries at the same time.
- When you replace the batteries, replace all with new ones.

If the battery compartment lid comes off (See fig. B)

The battery compartment lid is designed to come off when opened with excessive force. To put it back on, see the illustration.

- ① Insert the right hinge of the lid into the right hole of the unit.
- ② Insert the left hinge in the left hole of the unit.

Using House Current (See fig. C)

Connect the AC power adaptor (supplied) to the DC IN 6 V jack firmly, and plug it into a wall outlet.

Notes on the AC power adaptor

- When operating the unit with the internal batteries, remove the AC power adaptor from the wall outlet and the DC IN 6 V jack. Make sure that the plug of the external power source is disconnected before operating the unit.
- Use the supplied Sony AC power adaptor only. The polarity of the plugs of other manufacturers may be different. Failure to use the supplied AC power adaptor may cause the unit to malfunction.

Improving the reception

(See fig. D)

DAB Band-III: Extend the telescopic aerial and adjust the length and the angle for best reception.

Note

Adjust the direction of the aerial by holding the bottom of it. The aerial can be damaged when you move the aerial with excessive force.

Initial setting for the DAB

When the batteries are installed, or when the AC power adaptor is plugged in for the first time after purchase (or after resetting), the unit will automatically scan and create a list of receivable broadcasts. If you wish to scan for the DAB broadcasts again, or when the unit is reset, do the following:

- 1 Adjust the aerial accordingly.
- 2 Press **POWER** to turn on the radio.
- 3 Hold down **AUTO TUNE** for more than 2 seconds. "INIT INITIALIZE OK?" appears in the display.
- 4 Press **PRESET/ENTER**.

No sound will be heard, and "SCANNING" appears in the display. DAB scan takes about 30 ~ 90 seconds. When finished, the unit receives the first service in alphabetical order stored by the DAB scan.

INIT ~ SCANNING >

Notes

- If you do not operate within 65 seconds, the initial scan mode will be cancelled.
- If two broadcasts are found by the DAB scan, "SIGNAL NOT FOUND" appears in the display.

SIGNAL NOT FOUND

- To cancel the DAB scan halfway, press **AUTO TUNE**. Any services received before you cancel are added to the list of receivable services.
- If the batteries are removed for a certain period, the received history list will be deleted, requiring you to scan again.
- If you set the initial setting, any DAB services registered as **PRESET** are erased.

- If you change the unit's location of use, or want to add a new service after the initial setting, press and release **AUTO TUNE**. "FULL SCANNING" appears in the display and the unit will automatically scan and create a list of receivable services.

Setting the clock

"AM 12:00" (or "0:00") will blink in the display when the batteries are installed or the AC power adaptor is plugged in, and then **POWER** is pressed for the first time after purchase, or after resetting.

- 1 Hold down **CLOCK** for more than 2 seconds to show the time set display.
- 2 Turn A (up)/V (down) to select "OFF" and press **PRESET/ENTER**. The hour indication starts blinking. Example: 12-hour system.
- 3 Turn A/V to set the hour, and then press **PRESET/ENTER**. The minute indication starts blinking.
- 4 Turn A/V to set the minute, then press **PRESET/ENTER**. The clock starts operating, and ":" starts blinking.

Tips

- To set the current time rapidly, hold A/V.
- To set the current time exactly to the seconds, adjust the minute function in step 4 and then press **PRESET/ENTER** to synchronize it with a time signal (such as the telephone time signal).
- The clock system varies depending on the model purchased. For example, in the 24-hour system, "0:00" is indicated as midnight, and "12:00" is indicated as noon.
- **Notes**
 - If you do not operate within 65 seconds while setting the clock, the clock setting mode will be cancelled.
 - To cancel the clock setting mode halfway, press **CLOCK**.
 - To show the current time as DAB is received, press **DISPLAY**.
 - ("Changing the display").

Setting the Clock Auto Adjustment Function

This function enables the built-in clock of this unit to automatically synchronize with any DAB data being received.

- 1 Hold down **CLOCK** for more than 2 seconds to show the time set display.
- 2 Turn A/V to select "ON" and press **PRESET/ENTER**.

AUTO TIME SET
ON OFF

"CLOCK ADJ" lights and DAB data adjusts the clock as it is received.

Notes

- If DAB is not available (depending on area), you can disable this function.
- If this function is active while adjusting the clock manually, DAB data will adjust the clock the next time the unit receives it.

Operating the radio

The unit can receive DAB services, and features ALPHABETICAL, PRESET, and MANUAL modes.

ALPHABETICAL: To select a stored service in alphabetical order.

PRESET: To select preset services. "P" appears in the display.

MANUAL: To adjust the frequency incrementally.

- 1 Press **POWER** to turn on the radio. When the unit is turned on again, the last band you listened to is received.
- 2 Press **TUNE MODE** to select the desired mode. Each press changes the tuning mode between **ALPHABETICAL** and **PRESET**. To change to **MANUAL**, hold down **TUNE MODE** for more than 2 seconds. Press again to return to the previous mode.
- 3 Turn A/V to tune to the desired service. Two short beeps sound when the lowest ensemble of DAB is received during tuning.
- 4 Adjust the volume using **VOL**.

Notes in DAB usage

- Before receiving DAB broadcasts, one or more ensembles should be stored in the list by the DAB scan. (See "Initial setting for the DAB").
- If there are no services, you can choose only **MANUAL** mode.
- "< NO ENSEMBLE >" appears when the ensemble for the selected service cannot be received.

BETA 1
<NO ENSEMBLE>

- If a selected service finishes broadcasting, sound stops and "< NO SERVICE >" appears. In this case, turn A/V to select another service.

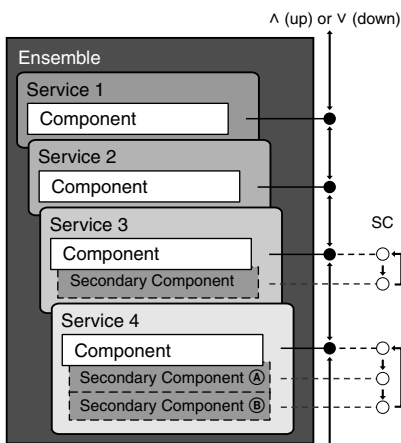
About the SC (Secondary Component)

If the selected primary component has a secondary component, "SC" blinks on the display.

BETA 4
EUROPEAN EQUITIE
SC

Press **SC** to receive the desired secondary component. "SC" appears while the secondary component is received.

Turn A/V or pressing **SC** does the following:



Note

When the selected secondary component is finished, the unit returns automatically to the primary component.

Presetting your favourite services

There are two ways to preset services, Direct Preset and Preset Mode.

You can preset 10 services, including 3 services stored on the Direct Preset buttons (**PRESET 1 – 3**). You can enjoy any three preset services as Direct Presets, for immediate recall by pressing one of the **PRESET 1 – 3** buttons. Preset services you use often to Direct Preset for your convenience.

Presetting services

To preset by Direct Preset

- 1 Follow steps 1 to 3 in "Operating the radio" and manually tune in to the service you wish to preset.
- 2 Hold down one of the **PRESET** buttons (**PRESET 1 – 3**) for more than 2 seconds. A beep sounds and "STORED" appears for one second in the display, and the service is stored.

To preset by Preset Mode

- 1 Follow steps 1 to 3 in "Operating the radio" and manually tune in to the service you wish to preset.
- 2 Hold down **PRESET/ENTER** for more than 2 seconds. The component label and the preset number appears in the display.
- 3 Turn A/V to select the favourite number to preset, then press **PRESET/ENTER**. "STORED" appears for one second in the display and the service is stored.

Notes

- To preset another service, repeat these steps.
- To change the preset service, tune in to the desired service and repeat steps 2 and 3. The new service will replace the previous service.

Tuning in to a preset service

Direct Preset

Press one of the **PRESET** buttons (**PRESET 1 – 3**) on which the desired service is stored.

Preset Mode

- 1 Press **TUNE MODE** repeatedly until "P" appears in the display.
- 2 Turn A/V to select the desired preset favourite service.

Note

If you do not operate within 65 seconds during the above steps, the current mode will be cancelled.

Deleting a preset service

- 1 Follow steps in "Tuning in to a preset service" and tune in to the service you wish to delete.
- 2 Hold down **PRESET/ENTER** for more than 4 seconds. "DELETE OK?" appears in the display.
- 3 Press **PRESET/ENTER**. When the preset service is deleted, the preceding preset service is received.

Note

To cancel deleting during the procedure, press **DISPLAY**. The preset service tuned in to in step 1 is received.

Other useful functions

Setting the Sleep Timer

You can enjoy falling asleep to the radio using the built-in sleep timer that turns off the radio automatically after a preset duration.

- 1 Press **SLEEP**. "SLEEP" and the timer setting appear.

SLEEP 60

- 2 Press **SLEEP** repeatedly to select the desired sleep timer setting. Each press changes the setting time as follows:

60 → 45 → 30 → 15 → OFF

Two short beeps sound when the display returns to "SLEEP 60". After about 3 seconds, "SLEEP" appears in the display when the duration time is set. The unit automatically turns off when the duration time is passed.

To change the Sleep Timer setting

Press **SLEEP** repeatedly to select the desired sleep timer setting even after the sleep timer has been activated.

To deactivate the Sleep Timer

Press **POWER** to turn off the unit before the setting time has elapsed, or press **SLEEP** repeatedly to set the sleep timer to "SLEEP OFF" in step 2. "SLEEP" disappears from the display.

To listen with headphones (not supplied)

Connect headphones to the (headphone) jack. The sound through the speaker will not be heard.

To illuminate the LCD

Press **LIGHT** to select the backlight on or off.

Notes

- The first time you turn on the unit in AC operation, the backlight is set to on (default). Any change to this setting will be retained.
- When DC operation, the backlight will turn off automatically if no operation is performed for 30 seconds.

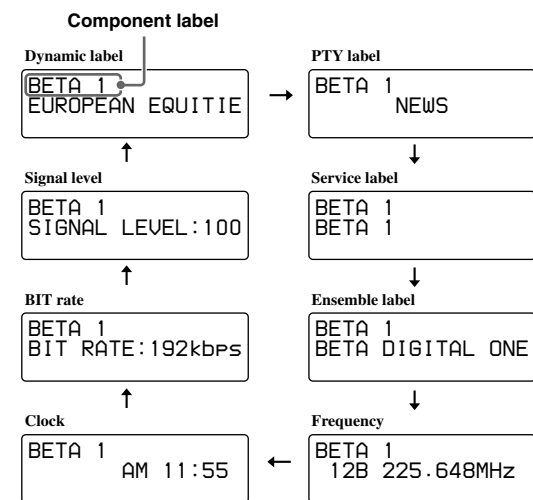
Changing the display

To change the display mode

Press **DISPLAY**. The selected display mode remains even if you turn the unit off and on again, or change the band.

A dynamic label can be up to 128 characters long. PTY, service and ensemble labels can be up to 16 characters long.

Each time you press **DISPLAY**, the bottom in a display changes as follows:



If you turn A/V to change the service, the display does not change.

Notes

- If there is no service label, no message will be displayed.
- If there is no dynamic label, "QND DLS" will appear.

Stretched display

While a component label is displayed in the first line of the display, hold down **DISPLAY** for more than 2 seconds. The display changes to stretched display.

BETA 1

Each time you press **DISPLAY** while the first line is displayed as stretched, it changes as follows:

Component label → Dynamic label → PTY label → Service label → Ensemble label → Frequency → Clock → BIT rate → Signal level → Component label

Holding down **DISPLAY** for more than 2 seconds returns the display to normal.

PTY (Programme Type)

This function indicates services in programme type, such as NEWS, SPORTS of the PTY list, transmitted in the DAB.

If the received service does not transmit the programme type, " NO PTY Data " appears.

Programme type	Display
Undefined	None
News	News
Current Affairs	Current Affairs
Information	Information
Sport	Sport
Education	Education
Drama	Drama
Culture	Cultures
Science	Science
Varied	Varied Speech
Pop Music	Pop Music
Rock Music	Rock Music
Easy Listening Music	Easy Listening
Light Classical	Light Classics M
Serious Classical	Serious Classics
Other Music	Other Music
Weather	Weather & Metr
Finance	Finance
Children's programmes	Children's Progs
Social Affairs	Social Affairs
Religion	Religion
Phone In	Phone In
Travel	Travel & Touring
Leisure	Leisure & Hobby
Jazz Music	Jazz Music
Country Music	Country Music
National Music	National Music
Oldies Music	Oldies Music
Folk Music	Folk Music
Documentary	Documentary

Specifications

Time display	
UK	12-hour system
Other countries/regions	24-hour system

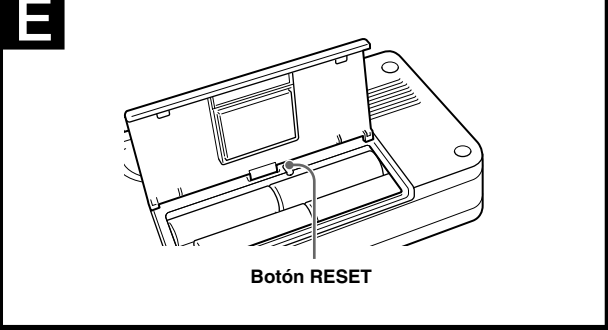
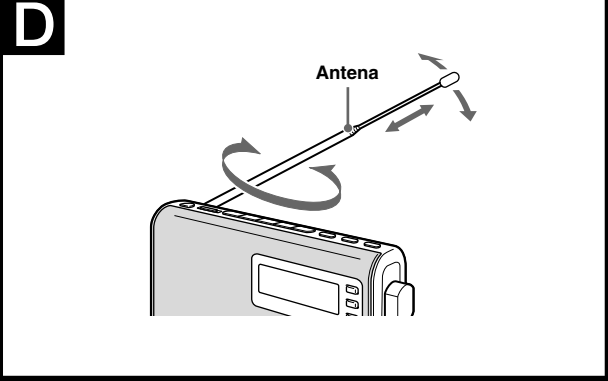
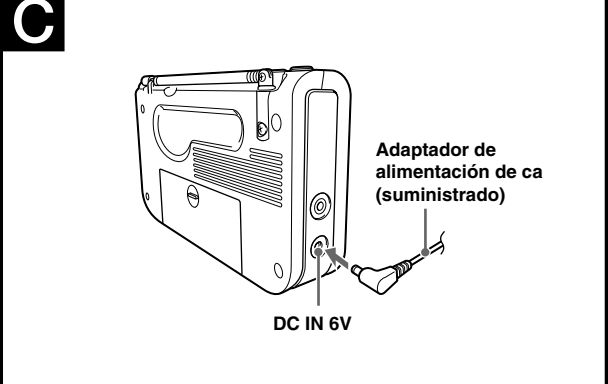
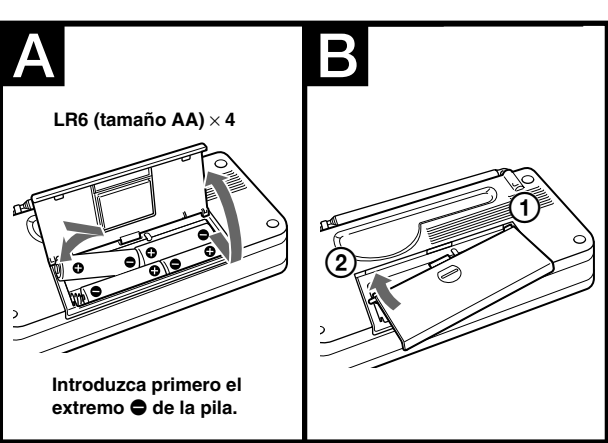
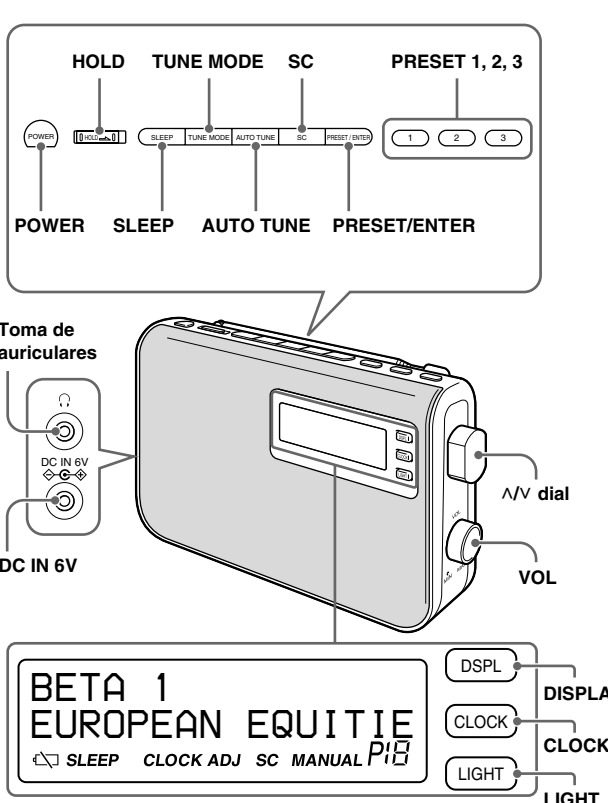
Frequency range	
Band	Frequency
DAB (Band-III)	174.928 - 239.200 MHz

DAB (Band-III) frequency table (MHz)					
No.	Channel	Frequency	No.	Channel	Frequency
1	5A	174.928	20	9D	208.064
2	5B	176.640	21	10A	209.936
3	5C	178.352	22	10B	211.648
4	5D	180.064	23	10C	213.360
5	6A	181.936	24	10D	215.072
6	6B	183.648	25	11A	216.928
7	6C	185.360	26	11B	218.640
8	6D	187.072	27	11C	220.352
9	7A	188.928	28	11D	222.064
10	7B	190.640	29	12A	223.936
11	7C	192.352	30	12B	225.648
12	7D	194.064	31	12C	227.360
13	8A	195.936	32	12D	229.072
14	8B	197.648	33	13A	230.784
15	8C	199.360	34	13B	232.496
16	8D	201.072	35	13C	234.208
17	9A	202.928	36	13D	235.976
18	9B	204.640	37	13E	237.488
19	9C	206.352	38	13F	239.200

Speaker:

Approx. 7.7 cm (3.0 inches) dia. 8 Ω

Power output:



Español

ADVERTENCIA

Para reducir el riesgo de incendios o electrocución, no exponga el aparato a la lluvia ni a la humedad.

Para evitar recibir descargas eléctricas, no abra el aparato. Solicite asistencia técnica únicamente a personal especializado.

No sitúe el aparato en un espacio cerrado, como una estantería o un armario empotrado.

Para reducir el riesgo de incendio o sacudida eléctrica, no ponga objetos que contengan líquido, tal como floreros, encima del aparato. Conecte el adaptador de alimentación de ca a una toma de corriente de ca de fácil acceso. Si detecta alguna anomalía en el adaptador de alimentación de ca, desconéctelo inmediatamente de la toma de corriente de ca.

Características

- Radio digital DAB (Band-III).
- Pantalla de cristal líquido de matriz de puntos, con 2 líneas de caracteres y de fácil visualización.
- Procedimiento de selección de emisoras sencillo.
- Tres botones directos de emisoras favoritas.
- Temporizador de apagado y visualización del reloj.
- Toma de auriculares estéreo.
- Funciona con pilas (LR6 ×4) o con corriente.

Selección de la fuente de alimentación

- Abra el compartimento de las pilas situado en la parte posterior de la unidad.
- Coloque cuatro pilas alcalinas LR6 (tamaño AA) (no suministradas) haciendo coincidir los polos y, a continuación, cierre la tapa.

Duración de las pilas (horas aproximadas)	(JEITA*)
Al utilizar	DAB
Pilas alcalinas LR6 (tamaño AA) de Sony	9

* Medición según los estándares de la JEITA (Japan Electronics and Information Technology Industries Association). La duración real de las pilas podría variar en función de las condiciones de la unidad.

Cuándo reemplazar las pilas

Cuando las pilas dispongan de poca energía, el sonido se emitirá débil y distorsionado.

Cuando se agoten por completo, aparecerá “CO” en la pantalla y se desconectará la alimentación.

Cuando aparezca “CO”, sustituya todas las pilas por unas nuevas. Una vez reemplazadas las pilas, pulse **POWER** para desactivar el indicador.

Notas sobre cómo reemplazar las pilas

- No tarde más de un minuto en reemplazar las pilas, ya que de lo contrario el reloj, las listas de emisiones disponibles para la exploración DAB y las emisoras favoritas memorizadas, así como cualquier otro ajuste, se inicializarán. Si esto ocurre, vuelva a ajustar las funciones.
- Si se reemplazan las pilas con la alimentación conectada, es posible que la unidad regrese a los ajustes de fábrica.

Notas sobre las pilas

- No intente recargar pilas secas.
- No transporte las pilas junto con monedas u otros objetos metálicos. Si los terminales positivo y negativo de las pilas entran en contacto accidentalmente con un objeto metálico, se puede generar calor.
- Si no tiene previsto utilizar la unidad durante un tiempo prolongado, extraiga las pilas para evitar daños provocados por fugas o corrosión de las mismas.
- No utilice pilas de tipos distintos a la vez.
- Cuando reemplace las pilas, reemplácelas todas por otras nuevas.

Si se desprende la tapa del compartimento de las pilas (consulte la fig. 13)

La tapa del compartimento de las pilas está diseñada para desprenderse si se abre con demasiada fuerza. Para volver a colocarla, consulte la ilustración.

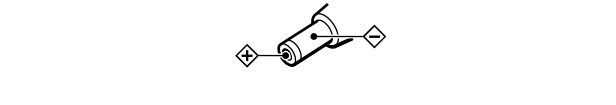
- Inserte la bisagra derecha de la tapa en el orificio derecho de la unidad.
- Inserte la bisagra izquierda en el orificio izquierdo de la unidad.

Uso de la corriente doméstica (consulte la fig. 14)

Conecte con firmeza el adaptador de alimentación de ca (suministrado) a la toma DC IN de 6 V y enchúfelo a la toma de pared.

Notas sobre el adaptador de alimentación de ca

- Si utiliza la unidad con las pilas, desenchufe el adaptador de alimentación de ca de la toma de pared y la toma DC IN 6 V. Compruebe que el enchufe de la fuente de alimentación externa esté desconectado antes de utilizar la unidad.
- Utilice únicamente el adaptador de alimentación de ca de Sony suministrado, ya que la polaridad de las clavijas de otros fabricantes puede ser diferente. Si utiliza un adaptador de alimentación de ca distinto del suministrado, puede provocar un funcionamiento incorrecto de la unidad.



Mejora de la recepción (consulte la fig. 15)

DAB Band-III

Extienda la antena telescópica y ajuste la longitud y el ángulo de la misma para mejorar la recepción.

Nota

Sujete la parte inferior de la antena para ajustar su dirección. Si aplica demasiada fuerza para mover la antena, ésta podría dañarse.



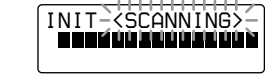
Ajuste inicial de los datos de DAB

Cuando la unidad tenga las pilas instaladas o la primera vez que se enchufe el adaptador de alimentación de ca después de comprarla (o después de reiniciarla), iniciará la exploración automáticamente y creará una lista con las emisiones disponibles para su recepción.

Si desea explorar de nuevo las emisiones DAB o si reinicia la unidad, siga estos pasos:

- Ajuste la antena correspondientemente.
- Pulse **POWER** para encender la radio.
- Mantenga pulsado **AUTO TUNE** durante más de 2 segundos. Aparecerá “INIT INITIALIZE OK?” en la pantalla.
- Pulse **PRESET/ENTER**.

No se oirá ningún sonido, y aparecerá “<SCANNING>” en la pantalla. La exploración de DAB tarda aproximadamente entre 30 y 90 segundos. Cuando finalice, la unidad recibirá el primer servicio en orden alfabético que se haya guardado durante la exploración de DAB.



Notas

- Si no utiliza la unidad en 65 segundos, se cancelará el modo de exploración inicial.
- Si la exploración de DAB no detecta ninguna emisión, aparecerá “SIGNAL NOT FOUND” en la pantalla.



- Para cancelar la exploración de DAB en pleno proceso, pulse **AUTO TUNE**. Los servicios que se hayan recibido antes de cancelar la exploración se añadirán a la lista de servicios disponibles.

- Si se extraen las pilas durante un cierto tiempo, se borrará la lista de historial de emisiones recibidas, por lo que será necesario volver a realizar la exploración.
- Si devuelve la unidad a los ajustes iniciales, se eliminarán los servicios de DAB registrados en **PRESET**.
- Si cambia la ubicación de uso de la unidad o desea añadir un nuevo servicio tras el ajuste inicial, pulse y suelte **AUTO TUNE** Aparecerá “FULL <SCANNING>” en la pantalla y la unidad realizará automáticamente la exploración y creará una lista con los servicios disponibles.

Ajuste del reloj

Cuando inserte las pilas en la unidad o enchufe el cable de alimentación de ca y pulse **POWER** por primera vez después de comprarla o reiniciarla, “AM 12:00” (6 “0:00”) parpadeará en la pantalla.

- Mantenga pulsado **CLOCK** durante más de 2 segundos para que se muestre la pantalla de ajuste de la hora.
- Gire hacia A (arriba)/V (abajo) para seleccionar “OFF” y pulse **PRESET/ENTER**. La indicación de la hora empezará a parpadear. Ejemplo: sistema de 12 horas.
- Gire A/V para ajustar la hora y, a continuación, pulse **PRESET/ENTER**. La indicación de los minutos empezará a parpadear.
- Gire A/V para ajustar los minutos y, a continuación, pulse **PRESET/ENTER**. El reloj empezará a funcionar y “:” parpadeará.

Sugerencias

- Para ajustar de forma rápida la hora actual, mantenga A/V en la posición correspondiente.
- Para ajustar con precisión los segundos de la hora, ajuste la función de minutos del paso 4 y, a continuación, pulse **PRESET/ENTER** para sincronizar el reloj con una señal horaria (como la señal del teléfono).
- El sistema del reloj variará en función del modelo adquirido. Por ejemplo, en el sistema de 24 horas, “0:00” indicará la medianoche, y “12:00” el mediodía.

Notas

- Si no utiliza la unidad en 65 segundos durante el ajuste del reloj, se cancelará dicho modo.
- Para cancelar el modo de ajuste del reloj en pleno proceso, pulse **CLOCK**.
- Para que se muestre la hora actual al recibir una emisión de DAB, pulse **DISPLAY** (consulte “Cambio del modo de visualización”).

Configuración de la función de ajuste automático del reloj

Esta función permite que el reloj incorporado de esta unidad se sincronice automáticamente con los datos de DAB que se reciben.

- Mantenga pulsado **CLOCK** durante más de 2 segundos para que se muestre la pantalla de ajuste de la hora.
- Gire A/V para seleccionar “ON” y pulse **PRESET/ENTER**.



Se ilumina “**CLOCK ADJ**” y los datos de DAB ajustan el reloj a medida que se reciben.

Notas

- Si DAB no está disponible (en función de la zona), puede desactivar esta función.
- Si la función está activada durante el ajuste manual del reloj, los datos de DAB ajustarán el reloj la próxima vez que la unidad los reciba.

Radiorecepción

La unidad puede recibir servicios DAB y cuenta con los modos ALPHABETICAL, PRESET y MANUAL.

ALPHABETICAL: permite seleccionar un servicio almacenado en orden alfabético.

PRESET: permite seleccionar cualquier servicio almacenado. Aparecerá “P” en la pantalla.

MANUAL: permite ajustar la frecuencia en incrementos.

- Pulse **POWER** para encender la radio. Cuando vuelva a encender la unidad, se recibirá la última banda seleccionada.
- Pulse **TUNE MODE** para seleccionar el modo que desee. Cada vez que pulse cambia el modo de sintonía entre **ALPHABETICAL** y **PRESET**. Mantenga pulsado **TUNE MODE** durante más de 2 segundos para cambiar a **MANUAL**. Vuelva a pulsarlo para volver al modo anterior.
- Gire A/V para sintonizar el servicio que desee.
- Cuando se reciba el conjunto más bajo de DAB sonarán dos pitidos cortos.
- Ajuste el volumen mediante **VOL**.

Notas sobre el uso de DAB

- La exploración DAB deberá haber almacenado uno o varios conjuntos en la lista antes de recibir las emisiones de DAB (consulte “Ajuste inicial de los datos de DAB”).
- Si no existe ningún servicio, sólo podrá elegir el modo **MANUAL**.
- “< NO ENSEMBLE >” aparecerá cuando no se pueda recibir el conjunto correspondiente al servicio seleccionado.



- Si un servicio seleccionado finaliza la emisión, el sonido se interrumpirá y aparecerá “< NO SERVICE >”. En tal caso, gire A/V para seleccionar otro servicio.

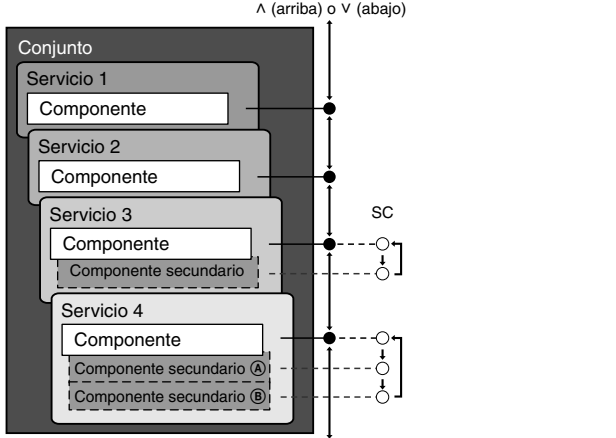
Información sobre el SC (Componente secundario)

Si el componente principal tiene un componente secundario, “SC” parpadeará en la pantalla.



Pulse **SC** para recibir el componente secundario deseado. “**SC**” aparecerá durante la recepción del componente secundario.

Si gira A/V o pulsa **SC**, obtendrá el siguiente resultado:



Nota

Cuando finalice el componente secundario seleccionado, la unidad regresará automáticamente al componente principal.

Memorización de las emisoras favoritas

Existen dos modos de memorización de emisoras: la memorización normal y la directa.

Puede memorizar hasta 10 emisoras, 3 de las cuales pueden almacenarse en los botones de memorización directa (**PRESET 1 – 3**).

Puede disfrutar de cualquiera de estas tres emisoras de forma inmediata pulsando los botones **PRESET 1 – 3**. Memorice las emisoras que escuche más frecuentemente en la memorización directa.

Memorización de emisoras

Para memorizar con la memorización directa

- Siga los pasos del 1 al 3 de “Radiorecepción” y sintonice manualmente la emisora que desea memorizar.
- Mantenga pulsado durante más de 2 segundos uno de los botones **PRESET (PRESET 1 – 3)**. Una vez la emisora se haya almacenado sonará un pitido y aparecerá “STORED” en la pantalla.

Memorización de emisoras en modo Preset

- Siga los pasos 1 a 3 de “Radiorecepción” y sintonice manualmente la emisora que desea memorizar.
- Mantenga pulsado **PRESET/ENTER** durante más de 2 segundos. La etiqueta del componente y el número de presintonía aparecerán en la pantalla.
- Gire A/V para seleccionar el número favorito en el que desea memorizar la emisión y, a continuación, pulse **PRESET/ENTER**. “STORED” aparecerá durante un segundo en la pantalla y la emisora quedará almacenada.

Notas

- Para memorizar otra emisora, repita estos pasos.
- Para cambiar una emisora memorizada, sintonícela y repita los pasos 2 y 3. La nueva emisora sustituirá a la anterior.

Sintonización de una emisora memorizada.

Memorización directa

Pulse uno de los botones **PRESET (PRESET 1 – 3)**, en el que desee memorizar la emisora.

Modo Preset

- Pulse **TUNE MODE**, varias veces hasta que aparezca “P” en la pantalla.
- Gire A/V para seleccionar la emisora favorita memorizada.

Nota

Si no utiliza la unidad en 65 segundos mientras realiza los pasos anteriores, se cancelará el modo actual.

Eliminación de emisoras memorizadas

- Siga los pasos del apartado “Sintonización de una emisora memorizada” y, a continuación, sintonice la banda de la cual desea eliminar emisoras.
- Mantenga pulsado **PRESET/ENTER** durante más de 4 segundos. Aparecerá “DELETE OK?” en la pantalla.
- Pulse **PRESET/ENTER**. Una vez se ha eliminado la emisora memorizada, se recibirá la emisora favorita anterior.

Nota

Para cancelar la eliminación durante el proceso, pulse **DISPLAY**. Se recibirá la emisora memorizada en el paso 1.

Otras funciones útiles

Ajuste del temporizador de apagado automático

Podrá dormirse escuchando la radio si utiliza el temporizador incorporado de apagado automático, que apaga de forma automática la radio una vez transcurrido el tiempo preajustado.

- Pulse **SLEEP**. Aparecerá “SLEEP” y el ajuste del temporizador.



- Si pulsa **SLEEP** con la unidad apagada, ésta se encenderá.
- Pulse **SLEEP** varias veces para seleccionar el ajuste deseado del temporizador de apagado automático. Con cada pulsación, el tiempo ajustado cambiará de la siguiente manera:

→ 60 → 45 → 30 → 15 → OFF

Cuando la visualización regrese a “SLEEP 60”, se emitirán dos pitidos breves. Una vez ajustado el tiempo, aparecerá en la pantalla “SLEEP” transcurridos aproximadamente 3 segundos.

Una vez transcurrido el tiempo ajustado, la unidad se apagará de forma automática.

Para cambiar el ajuste del temporizador de apagado automático

Pulse **SLEEP** varias veces para seleccionar el ajuste deseado del temporizador aunque éste ya se encuentre activado.

Para desactivar el temporizador de apagado automático

Pulse **POWER** para apagar la unidad antes de que transcurra el tiempo ajustado o pulse **SLEEP** varias veces para ajustar el temporizador en “SLEEP OFF” en el paso 2.

“**SLEEP**” desaparecerá de la pantalla.

Para escuchar el sonido a través de los auriculares (no suministrados)

Conecte los auriculares a la toma (auriculares). El sonido no se escuchará a través del altavoz.

Para iluminar la pantalla LCD

Pulse **LIGHT** para seleccionar la iluminación de fondo en encendida o apagada.

Notas

- Si utiliza la unidad con corriente alterna, la iluminación de fondo estará ajustada en encendida (valor predeterminado) la primera vez que enciende la unidad. Los cambios que se realicen en este ajuste se conservarán.
- Si utiliza la unidad con corriente continua, la iluminación de fondo se apagará de forma automática si no se realiza ninguna operación durante 30 segundos.

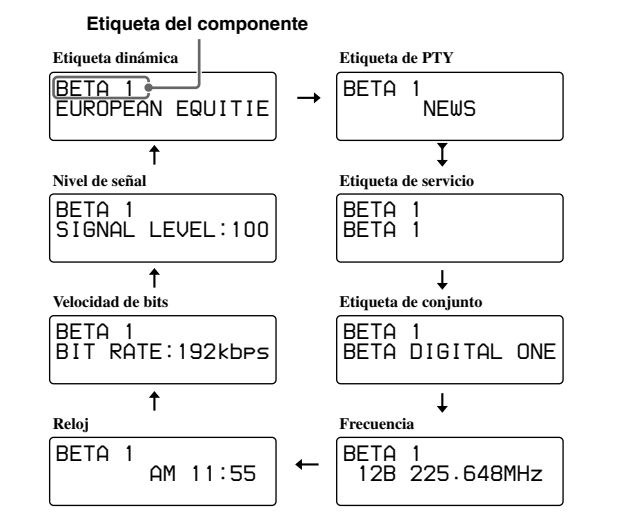
Cambio del modo de visualización

Para cambiar el modo de visualización

Pulse **DISPLAY**. El modo de visualización seleccionado permanecerá activado aunque apague y vuelva a encender la unidad o cambie de banda.

Las etiquetas dinámicas pueden tener un máximo de 128 caracteres. Las etiquetas de PTY, servicios y conjuntos pueden tener un máximo de 16 caracteres.

Cada vez que pulse **DISPLAY**, la parte inferior de la pantalla cambiará de la siguiente manera:



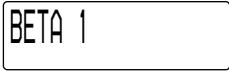
Si gira A/V para cambiar de servicio, la visualización no se modificará.

Notas

- Si no existe ninguna etiqueta de servicio, no aparecerá ningún mensaje.
- Si no existe ninguna etiqueta dinámica, aparecerá “<NO DLN>”.

Pantalla horizontal

Mientras se visualice en la primera línea de la pantalla la etiqueta del componente, mantenga pulsado **DISPLAY** durante más de 2 segundos. La visualización cambia a pantalla horizontal.



Cada vez que pulse **DISPLAY** mientras la pantalla se visualice horizontalmente, sucederán los siguientes cambios:

Etiqueta del componente → Etiqueta dinámica → Etiqueta PTY → Etiqueta de emisora → Etiqueta de conjunto → Frecuencia → Reloj → Velocidad de BITS → Nivel de señal → Etiqueta del componente Si mantiene pulsado **DISPLAY** durante más de 2 segundos, la visualización vuelve a normal.

PTY (Tipo de programa)

Esta función indica los servicios del tipo de programa, como NEWS (Noticias), SPORTS (Deportes) de la lista PTY, que se transmiten en DAB.

Si la emisora recibida no transmite el tipo de programa, aparecerá “ NO PTY Data ”.

Tipo de programa	Visualización
Indefinido	None
Noticias	News
Actualidad	Current Affairs
Información	Information
Deportes	Sport
Educación	Education
Drama	Drama
Cultura	Cultures
Ciencia	Science
Variedades	Varied Speech
Música pop	Pop Music
Música rock	Rock Music
Música melódica	Easy Listening
Música clásica popular	Light Classics M
Música clásica	Serious Classics
Otros tipos de música	Other Music
Servicio meteorológico	Weather & Metr
Finanzas	Finance
Programas infantiles	Children’s Progs
Actualidad social	Social Affairs
Religión	Religion
Llamadas telefónicas	Phone In
Viajes	Travel & Touring
Ocio	Leisure & Hobby
Música jazz	Jazz Music
Música country	Country Music
Música nacional	National Music
Grandes éxitos musicales	Oldies Music
Música folclórica	Folk Music
Documentales	Documentary

Prevención de operaciones accidentales – función HOLD

Esta función evita que la radio se encienda sin querer o que la frecuencia de la emisora se cambie accidentalmente. Deslice **HOLD** en la dirección de la flecha. Si pulsa cualquier tecla, “<HOLD>” parpadeará durante 3 segundos y todos los botones de la radio permanecerán inactivos.

Para cancelar esta función, deslice **HOLD** en la dirección contraria a la flecha.

Reinicio de la unidad (consulte la fig. 16)

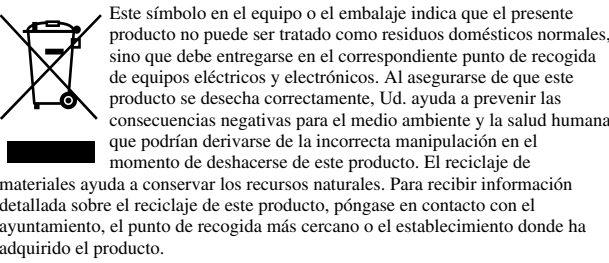
Cuando la radio no funcione correctamente, pulse este botón con un objeto puntiagudo.

Los ajustes del reloj, así como las emisoras que haya memorizado, etc., volverán a los valores de fábrica.

Precauciones

- Utilice la unidad sólo con las fuentes de alimentación indicadas en el apartado “Especificaciones”. Para utilizar la unidad con pilas, emplee cuatro pilas alcalinas LR6 (tamaño AA). Para utilizar la unidad con corriente alterna, emplee únicamente el adaptador de alimentación de ca suministrado. No emplee ningún otro tipo de adaptador de alimentación de ca.
- Aunque apague la unidad, ésta no se desconectará de la fuente de alimentación de ca mientras permanezca conectada a la toma de corriente.
- Utilice la unidad a una temperatura que oscile entre 0 °C y 40 °C. Si se utiliza en temperaturas superiores a este rango, pueden aparecer números en la pantalla que no tienen relación alguna con la frecuencia que se está recibiendo. Si se utiliza en temperaturas inferiores a este rango, los números que se muestran podrían cambiar muy lentamente. (Estas irregularidades desaparecerán sin que se haya producido daño a la unidad cuando se utilice dentro del rango de temperatura recomendado.)
- La placa de características donde se indica el voltaje de funcionamiento, etc. se encuentra en la parte inferior externa de la unidad.
- Evite la exposición de la unidad a temperaturas extremas, la luz solar directa, la humedad, la arena, el polvo o los golpes. No la deje nunca en un automóvil estacionado al sol.
- Si cae algún objeto sólido o algún líquido dentro de la unidad, desconecte el adaptador de alimentación de ca, quite las pilas y solicite que un técnico cualificado lo compruebe antes de volver a utilizarla.
- En vehículos o edificios, es posible que la recepción de la radio resulte difícil o se vea sometida a interferencias. Trate de escucharla cerca de una ventana.
- Dado que los altavoces emplean un imán potente, mantenga las tarjetas de crédito con codificación magnética o los relojes de cuerda alejados de la unidad para evitar posibles daños causados por el imán.
- Para limpiar la unidad, utilice un paño suave humedecido con una solución de detergente poco concentrada.

Tratamiento de los equipos eléctricos y electrónicos al final de su vida útil (aplicable en la Unión Europea y en países europeos con sistemas de recogida selectiva de residuos)



Este símbolo en el equipo o el embalaje indica que el presente producto no puede ser tratado como residuos domésticos normales, sino que debe entregarse en el correspondiente punto de recogida de equipos eléctricos y electrónicos. Al asegurarse de que este producto se desecha correctamente, Ud. ayuda a prevenir las consecuencias negativas para el medio ambiente y la salud humana que podrían derivarse de la incorrecta manipulación en el momento de deshacerse de este producto. El reciclaje de materiales ayuda a conservar los recursos naturales. Para recibir información detallada sobre el reciclaje de este producto, póngase en contacto con el ayuntamiento, el punto de recogida más cercano o el establecimiento donde ha adquirido el producto.

Free Manuals Download Website

<http://myh66.com>

<http://usermanuals.us>

<http://www.somanuals.com>

<http://www.4manuals.cc>

<http://www.manual-lib.com>

<http://www.404manual.com>

<http://www.luxmanual.com>

<http://aubethermostatmanual.com>

Golf course search by state

<http://golfingnear.com>

Email search by domain

<http://emailbydomain.com>

Auto manuals search

<http://auto.somanuals.com>

TV manuals search

<http://tv.somanuals.com>