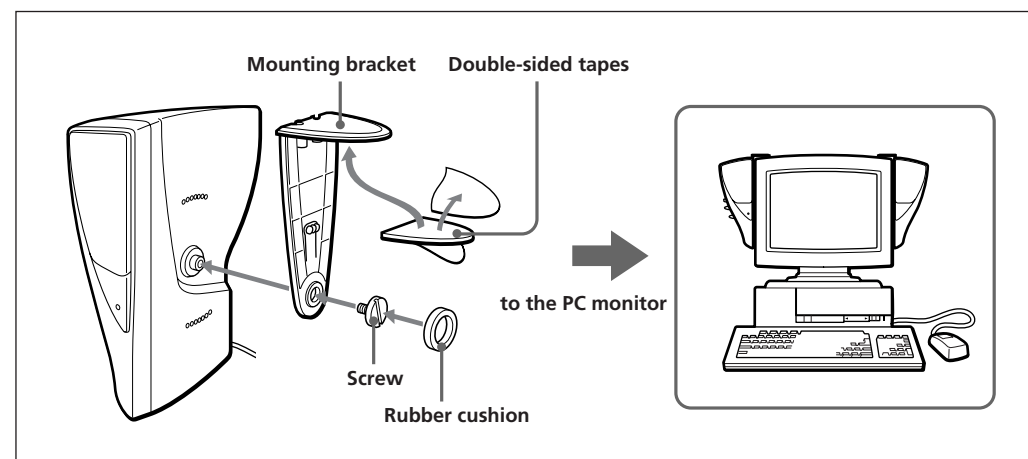
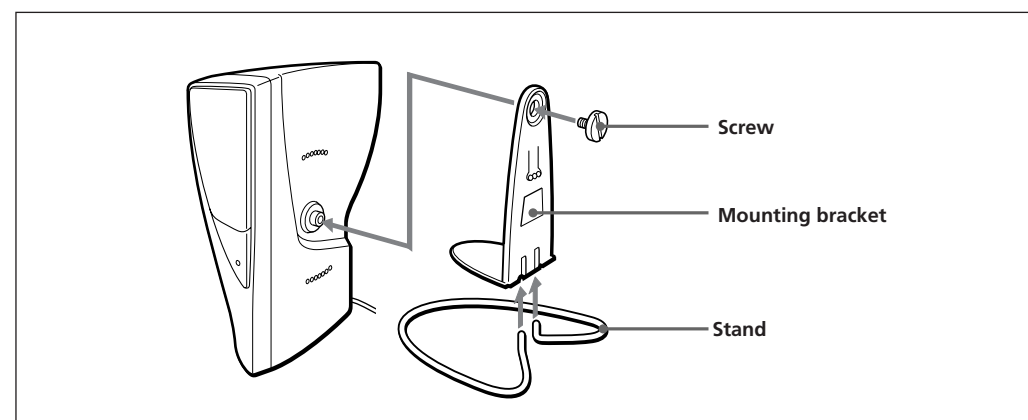


Installation

Installing to the PC monitors



Placing on top of the desk



Notes

- The supplied mounting brackets may not fit some PC monitors. In such a case, place the system beside the computer on top of the desk.
- Clean the surface of the mounting brackets and the PC monitor before attaching the double-sided tapes. Otherwise, the double-sided tapes may not adhere firmly to the surface of the PC monitor and the system may fall off.
- To attach the system to the PC monitor firmly using the double-sided tapes, press the mounting bracket firmly to the PC monitor.
- If the picture on the PC monitor is distorted by the vibration from the speaker system, turn down the volume first. If there seems to be no improvement, try placing the speaker system on top of a desk etc.
- Depending on the mounting surfaces, there may be cases in which the mounting brackets becomes difficult to remove once attached. Also the double-sided tapes used on the mounting brackets may leave some marks on the surface of the PC monitor when they are removed.

Precautions

- Use only the supplied AC power adaptor for operating the system. Do not use any other AC power adaptors.
- After operating the system with the AC power adaptor, disconnect the AC power adaptor from the wall outlet if the system is not to be used for an extended period of time. The POWER switch on the left speaker does not turn the AC power adaptor off.
- Do not open the speaker cabinets. Refer servicing to qualified personnel only.
- Do not leave the system in a location near heat sources, or in a place subject to direct sunlight, excessive dust, moisture, rain or mechanical shock.
- Should any solid object or liquid fall into either speaker, disconnect the AC power adaptor and have the speaker checked by qualified personnel before operating it any further.
- When the speaker cabinet becomes soiled, clean it with a soft cloth slightly moistened with a mild detergent solution. Never use alcohol, benzine or thinner as they may mar the finish.
- Although this system is magnetically shielded, as a precaution, do not leave recorded tapes, watches, personal credit cards or floppy disks using magnetic coding in front of the system for an extended period of time.

Specifications

Amplifier section

Power output	2.5 W + 2.5 W, <10 % T.H.D., 500 Hz – 1kHz, 3.2 ohms
Input	Input cord (stereo mini plug (2 m)), stereo mini jack
Input impedance	4.7 kilohm (at 1 kHz)

Speaker section

System	Full-range bass reflex type
Speaker unit	Full-range (magnetically shielded): ϕ 57 mm (2 1/4 in.)
Normal impedance	3.2 ohm
Rated input power	2.5 W

General

Power requirement	DC IN 9V jack accepts the supplied Sony AC power adaptor
Dimensions	Approx. 80 x 206 x 146 mm (3 1/4 x 8 1/8 x 5 3/4 in.) (w/h/d) incl.projecting parts and controls
Mass	Approx. 400 g (14 oz) (left speaker) Approx. 350 g (12 oz) (right speaker)

If the TV picture or monitor display is magnetically distorted

Although this system is magnetically shielded, there may be cases that the picture on some TV sets/personal computer sets may become magnetically distorted. In such a case, turn off the power of the TV set/personal computer set once, and after 15 to 30 minutes turn it on again. For the personal computer set, take the appropriate measures such as data storage before turning it off. **When there seems to be no improvement**, locate the system further away from the TV set/personal computer set. Furthermore, be sure not to place objects in which magnets are attached or used near the TV set/personal computer set, such as audio racks, TV stands, toys etc. These may cause magnetic distortion to the picture due to their interaction with the system.

If you have any questions or problems concerning your system that are not covered in this manual, please consult your nearest Sony dealer.

SONY

3-858-236-22(1)

Stereo Active Speaker System

Operating Instructions

Before operating the system, please read this manual thoroughly and retain it for future reference.

SRS-PC51

Sony Corporation © 1996 Printed in Philippines

Owner's record

The model number is located on the front of the unit and the serial number is located on the inside of the left speaker. Record the serial number in the space provided below. Refer to them whenever you call upon your Sony dealer regarding this product.

Model No. SRS-PC51

Serial No. _____

WARNING

To prevent fire or shock hazard, do not expose the system to rain or moisture.

To avoid electrical shock, do not open the cabinet. Refer servicing to qualified personnel only.

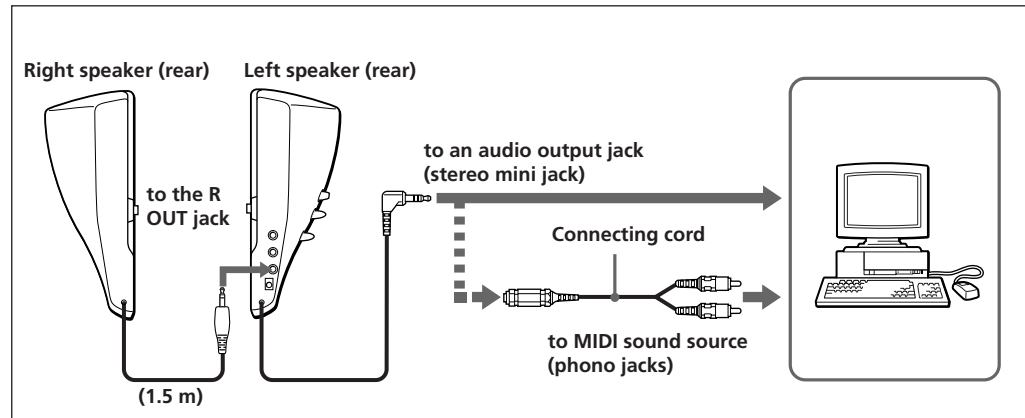
Features

The Sony SRS-PC51 is a compact-size speaker system with a built-in power amplifier designed for the use with a computer. A Discman, WALKMAN*, etc. can be connected to this system as well.

- The magnetically shielded speakers have little effect on a PC monitor or recorded tapes, etc. when placed close to them.
- Easy installation on both sides of a PC monitor with the supplied mounting brackets.
- Equipped with a headphones jack.
- Power output of 2.5 W + 2.5 W.
- IBB (Intelligent Bass Boost) circuit enable you to obtain powerful bass, regardless of the sound volume.

* WALKMAN is a registered trademark of Sony Corporation.

Connections



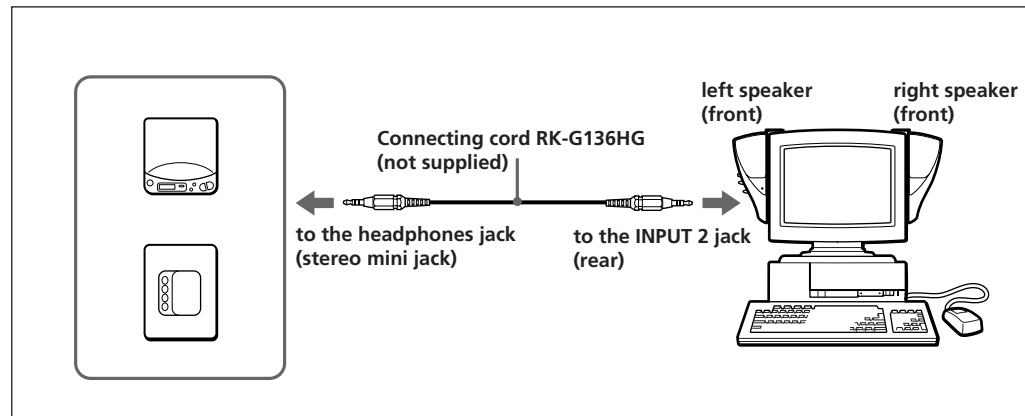
Connect the left speaker to the source equipment.

When the left speaker is connected to a computer equipped with a monaural jack, the sound may be heard only from the left speaker.

To connect to a stereo phone type headphones jack

Use the optional PC-234HG plug adaptor or the RK-G138HG connecting cord.

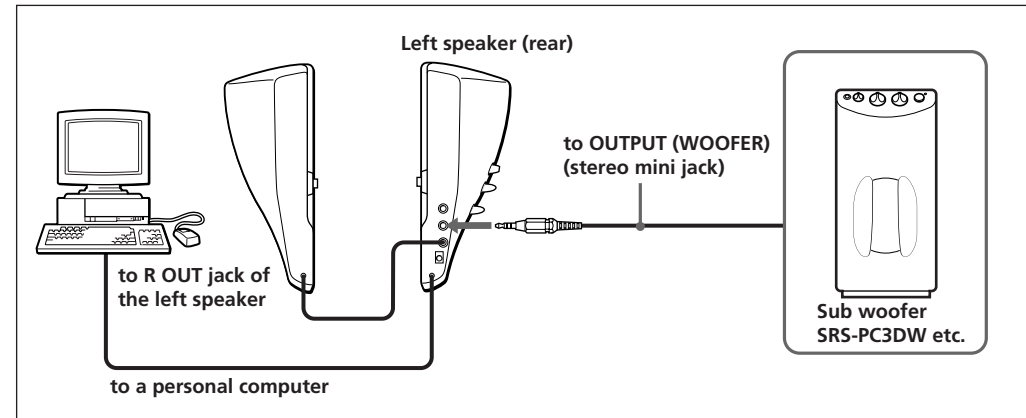
Connecting to a Discman, Walkman, etc.



Note

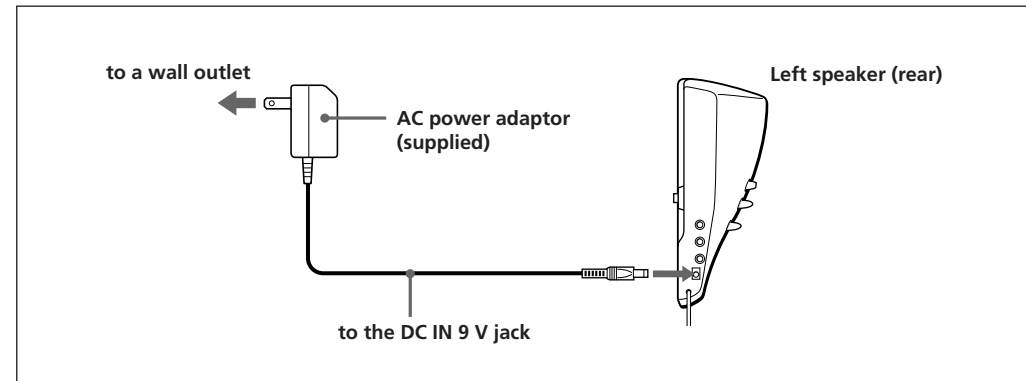
When two types of equipment are connected to the system and are played at the same time, the sound from both of them will come out of the speakers. When you wish to play only one equipment, make sure that the other equipment is turned off or its volume is turned down.

Connecting to a sub woofer



Connect a sub woofer to OUTPUT (WOOFER) jack (stereo mini jack). The volume of the connected speaker system is adjustable with the VOLUME control.

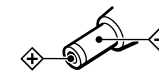
Power Source



The mains power source is required when the system is used.

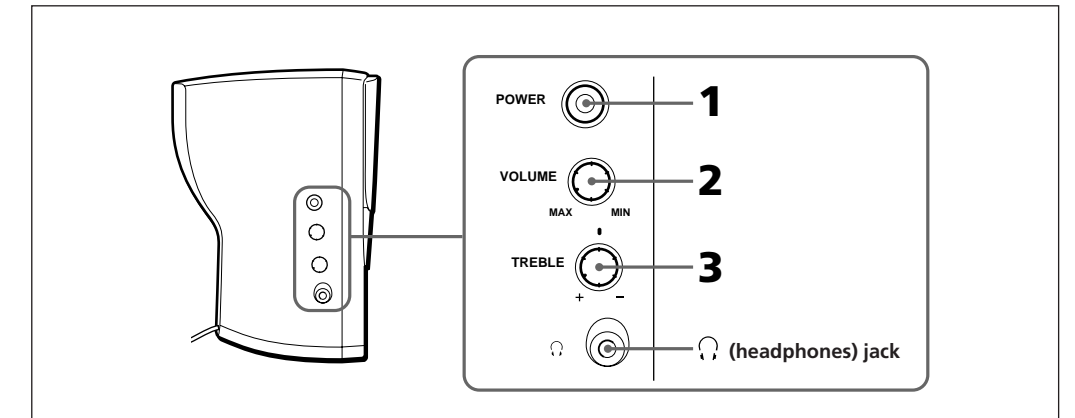
Note on the AC power adaptor

Use only the supplied AC power adaptor. Do not use any other AC power adaptor.



Polarity of the plug

How to use



- 1 Press the **POWER** switch (⏻) to turn on the system. The POWER indicator lights up.
- 2 Adjust the volume with the **VOLUME** control.
- 3 Adjust the **TREBLE** control to your preference.

Turn off the MEGA BASS (Walkman) or BASS BOOST (Discman, etc.) function as it may cause sound distortion.

After listening, press the POWER switch (⏻) to turn off the system. The POWER indicator goes out.

Listening with the headphones

Connect the headphones (not supplied) to the (headphones) jack on the left speaker. The sound from the speakers is automatically turned off.

Free Manuals Download Website

<http://myh66.com>

<http://usermanuals.us>

<http://www.somanuals.com>

<http://www.4manuals.cc>

<http://www.manual-lib.com>

<http://www.404manual.com>

<http://www.luxmanual.com>

<http://aubethermostatmanual.com>

Golf course search by state

<http://golfingnear.com>

Email search by domain

<http://emailbydomain.com>

Auto manuals search

<http://auto.somanuals.com>

TV manuals search

<http://tv.somanuals.com>