

KDF-42/50 WE655  
KDF-55/60 WF655  
KDF-55/60 XS955

# Quick Setup Guide

Do not throw away this guide, and keep it handy for future reference. For further information, see the operating instructions supplied with the TV.

Please follow the steps to setup your TV:

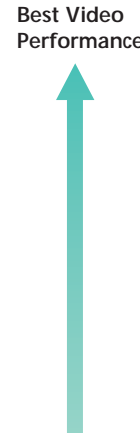
- 1 Checking the Supplied Accessories
- 2 Connecting Your TV (See reverse side)
- 3 Running Initial Setup
- 4 Programming the Remote Control

If your product is not working properly DO NOT RETURN TO THE STORE. For service and technical assistance Call our Customer Information Service Center (Toll Free): 1-800-222-SONY (7669) for US residents. 1-877-899-SONY (7669) for Canadian residents.

Sony Corporation © 2004 Printed in U.S.A.

## Making Video Connections

Your TV includes several types of video inputs. Use the inputs that are available on your components that provide the best video performance, as described in right.



Connector type	
	HDMI (High-Definition Multimedia Interface)
	Component video
	S VIDEO
	Composite video
	RF/Coaxial

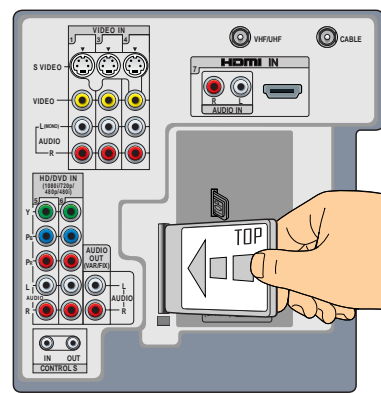
## Additional Connections

For best audio performance, connect your digital audio components using either digital optical or digital coaxial audio connections. Depending on which components are in your system, you may need to complete additional connections. For example, if you have a satellite receiver, you'll need to connect the satellite antenna. If you have an A/V receiver, you'll need to connect speakers.

The connection diagrams shown in the reverse side are recommendations only; other possible solutions may exist. Connections that include an A/V receiver can often be very complex, so check your A/V receiver's instruction manual for additional details.

## Activating CableCARD™ Service

Before you can use CableCARD service, you need to insert the CableCARD (supplied by your cable provider) and activate the service, as described in right.



Inserting the CableCARD incorrectly may result in permanent damage to the card and the TV.

## 4 Programming the Remote Control

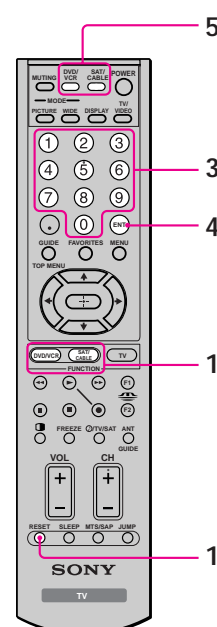
The remote control is preset to operate Sony brand video equipment.

Sony Equipment	Programmable Code Number
DVD/VCR	601 (Sony Dream System)
SAT/Cable	801 (Sony Satellite Receiver)

If you have video equipment other than Sony brand that you want to control with the LCD projection TV's remote control, use the following procedures to program the remote control.

The equipment must have infrared (IR) remote capability in order to be used with this remote control.

Using the code list below, find the three-digit code number for the manufacturer of your equipment. (If more than one code number is listed, use the number listed first.)



- 1 Press the DVD/VCR (FUNCTION) and RESET buttons simultaneously, or press the SAT/CABLE (FUNCTION) and RESET buttons simultaneously. DVD/VCR and SAT/CABLE buttons flash.
- 2 Press the function button you want to program. **To program a cable box or a satellite receiver** Press SAT/CABLE (FUNCTION). **To program video equipment** Press DVD/VCR (FUNCTION).
- 3 Enter the three-digit manufacturer's code number using the 0-9 buttons.
- 4 Press ENT (enter).
- 5 To check if the code number works, aim the TV's remote control at the equipment and press DVD/VCR and/or SAT/CABLE (POWER) that corresponds with that equipment. If it responds, the programming is completed. If not, try using the other codes listed for that manufacturer.

- ⚠ If more than one code number is listed, try entering them one by one until you come to the correct code for your equipment.
- ⚠ If you enter a new code number, the code number you previously entered at that setting is erased.
- ⚠ In some cases, you may not be able to operate your equipment with the supplied remote control. In such cases, use the equipment's own remote control unit.

### Manufacturer's codes

#### DVD Players

Manufacturer	Code
Sony	751
General Electric	755
Hitachi	758
JVC	756
Magnavox	757
Mitsubishi	761
Panasonic	753
Philips	757
Pioneer	752
RCA/PROSCAN	755
Samsung	758
Toshiba	754
Zenith	760

#### DVD Changers

Manufacturer	Code
Sony	765
Panasonic	766

#### DVD/VCR Combo Units

Manufacturer	Code
Sony	767
Broksonic	776
JVC	775
Panasonic	777
Samsung	774
Toshiba	773
Zenith	768

#### HDD/DVD Combo Units

Manufacturer	Code
Sony	770, 771, 772

#### 5.1ch DVD AV System

Manufacturer	Code
Sony (DAV)	601, 602, 603, 604

#### AV Receivers

Manufacturer	Code
Sony	764

#### VCRs

Manufacturer	Code
Sony	301, 302, 303
Admiral (M. Ward)	327
Alwa*	338, 344
Audio Dynamic	314, 337

#### Manufacturer Code

Broksonic	319, 317
Canon	309, 308
Citizen	332
Craig	302, 332
Curtis Mathes	304, 338, 309
Daewoo	341, 312, 309
DBX	314, 336, 337
Dimensia	304
Emerson	319, 320, 316, 317, 318, 341
Fisher	330, 335
Funai	338
General Electric	329, 304, 309
Go Video	322, 339, 340
Goldstar	332
Hitachi	306, 304, 305, 338
Instant Replay	309, 308
JC Penney	309, 305, 304, 330, 314, 336, 337
JVC	314, 336, 337, 345, 346, 347
Kenwood	314, 336, 332, 337
LG	332
LXI (SEARS)	332, 305, 330, 335, 338

#### Manufacturer Code

Sylvania	308, 309, 338, 310
Symphonic	338
Tashiro	332
Tatung	314, 336, 337
Teac	314, 336, 338, 337
Technics	309, 308
Toshiba	312, 311
Wards	327, 328, 335, 331, 332
Yamaha	314, 330, 336, 337
Zenith	331

#### Cable Boxes

Manufacturer	Code
Sony	230
Hamlin/Regal	222, 223, 224, 225, 226
Jerrold/G.I./Motorola	201, 202, 203, 204, 205, 206, 207, 208, 218, 222
Oak	227, 228, 229
Panasonic	219, 220, 221
Pioneer	214, 215
Scientific Atlanta	209, 210, 211
Tocom	216, 217
Zenith	212, 213

#### Satellite Receivers

Manufacturer	Code
Sony	801
Dish Network	810
Echostar	810
General Electric	802
Hitachi	805
Hughes	804
Mitsubishi	809
Panasonic	803
RCA/PROSCAN	802, 808
Toshiba	806, 807

\* If an Aiwa VCR does not work even though you enter the code for Aiwa, enter the code for Sony instead.

## 1 Checking the Supplied Accessories

Along with your new LCD projection TV, the packing box contains a remote control, two AA (R6) batteries and a Cleaning Cloth. These items are all you need to set up and use the TV.

## 2 Connecting Your TV

Review the following chart to determine which diagram to use to connect the components in your system:

For these components	See reverse side
Cable/Antenna  Cable Box OR  Satellite Receiver  VCR  Sony Dream System	<b>A</b>
Cable/Antenna  Cable Box OR  Satellite Receiver  VCR  DVD Player	<b>B</b>
Cable/Antenna  Cable Box OR  Satellite Receiver  VCR  DVD Player  AV Receiver	<b>C</b>
Cable/Antenna  Cable Box  VCR  DVD Player  Satellite Receiver	<b>D</b>
Cable/Antenna  Cable Box OR  Satellite Receiver  VCR  DVD Player  AV Receiver	<b>E</b>
Digital Receiver	<b>F</b>

- See the "Cables Required" chart that appears with the diagram to determine which cables you'll need. You may need to purchase extra accessories, such as cables and splitters, depending on the components you plan to connect.
- Turn off and unplug all components before making connections.
- If you are connecting a digital cable box, you'll need a special bi-directional splitter that's compatible with your cable box. Contact your cable provider for details.

## 3 Running Initial Setup

- 1 Press POWER to turn on the TV. The Initial Setup screen appears.
- 2 Press  $\blacktriangle/\blacktriangledown$  to select the on-screen display language. Then press  $\odot$ . The message "Start auto program now?" appears.
- 3 Press  $\blacktriangle/\blacktriangledown$  to select "Yes", then press  $\odot$  only.

Initial Setup automatically creates a list of receivable channels. When finished, the lowest numbered channel is displayed.

If you need to perform Auto Program again

- 1 Press MENU.
- 2 Press  $\blacktriangle/\blacktriangledown$  to select (Channel), then press  $\odot$ .
- 3 Press  $\blacktriangle/\blacktriangledown$  to select "Auto Program," then press  $\odot$ .
- 4 Press  $\odot$ .

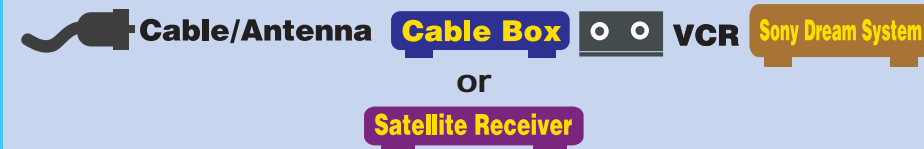
"Auto Program" appears and the TV starts scanning and presetting channels automatically. When all the receivable channels are stored, the "Show/Hide Channels" menu appears. Using this menu, you can start skipping unwanted channels (see "Selecting Channel Options" in the operating instructions).

- 5 Press MENU to exit the menu screen.

Auto Program may take up to 50 minutes to complete. A progress bar will display the approximate progress of the Auto Program and Digital Channels/Add sequences.

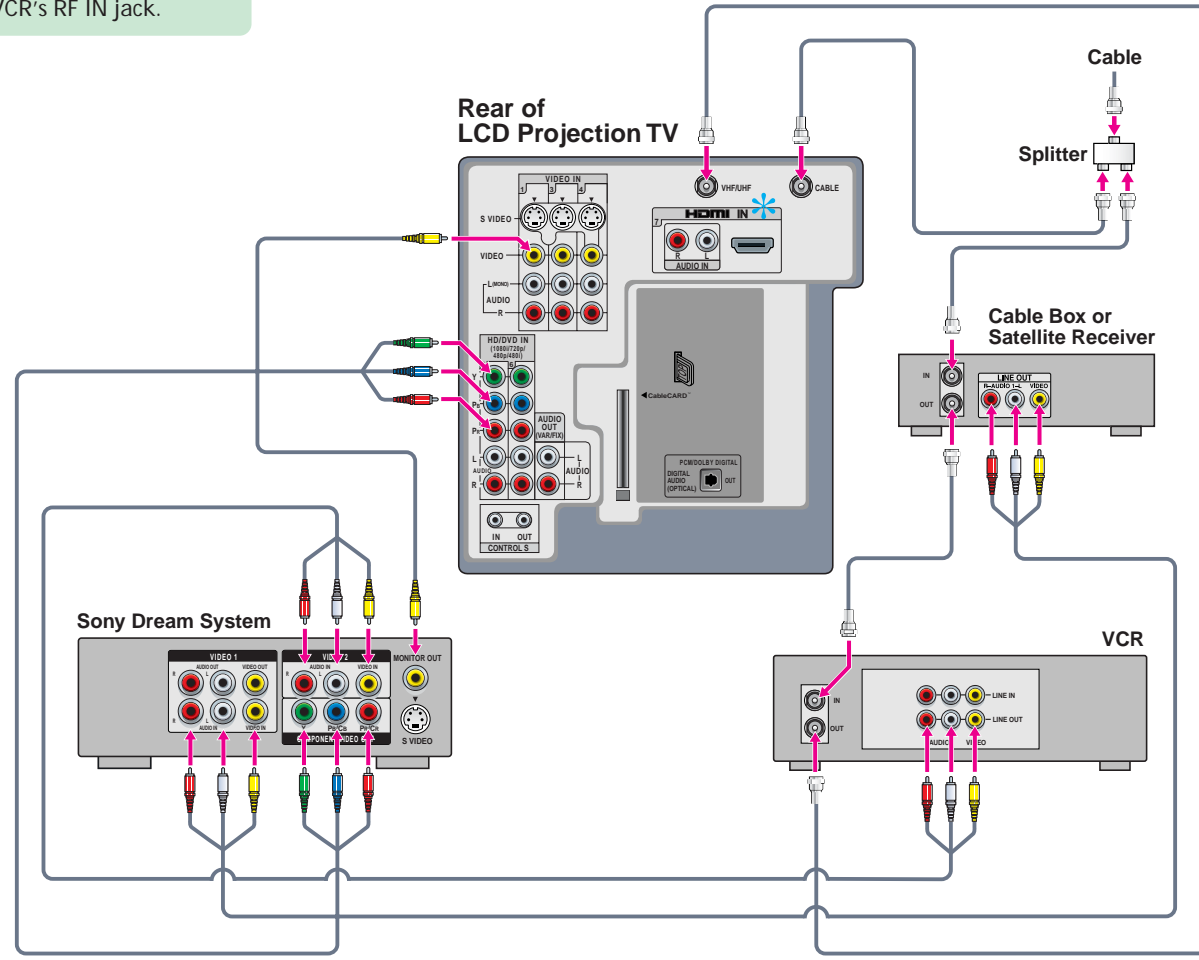
# A

Use this diagram if you have;



Cables Required	
Splitter	1
Coaxial	5
Composite	2
Composite (without Audio)	1
Component	1

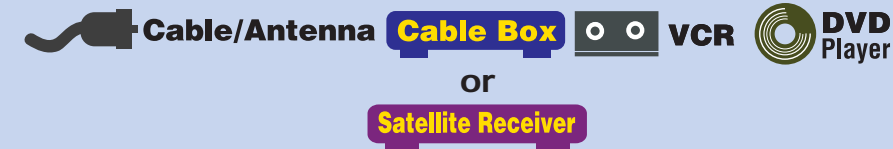
If you are not using a cable box or satellite receiver, connect your cable or antenna to the VCR's RF IN jack.



\*There are two HDMI jacks for XS955 series.

# B

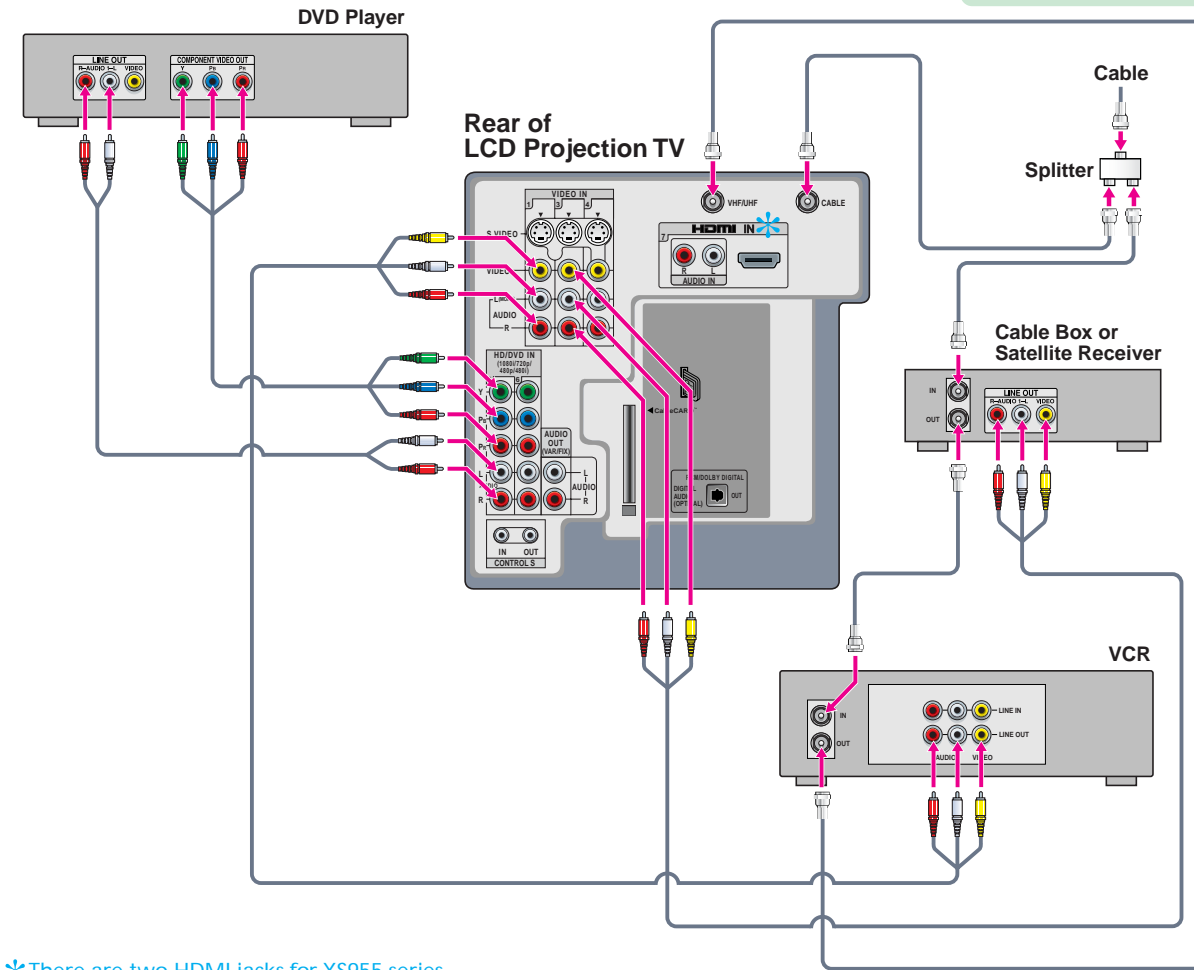
Use this diagram if you have;



Cables Required	
Splitter	1
Coaxial	5
Composite	2
Component	1
Audio	1

If your DVD player or satellite receiver has a HDMI jack, use that instead of the video connections shown here.

If you are not using a cable box or satellite receiver, connect your cable or antenna to the VCR's RF IN jack.



\*There are two HDMI jacks for XS955 series.

# C

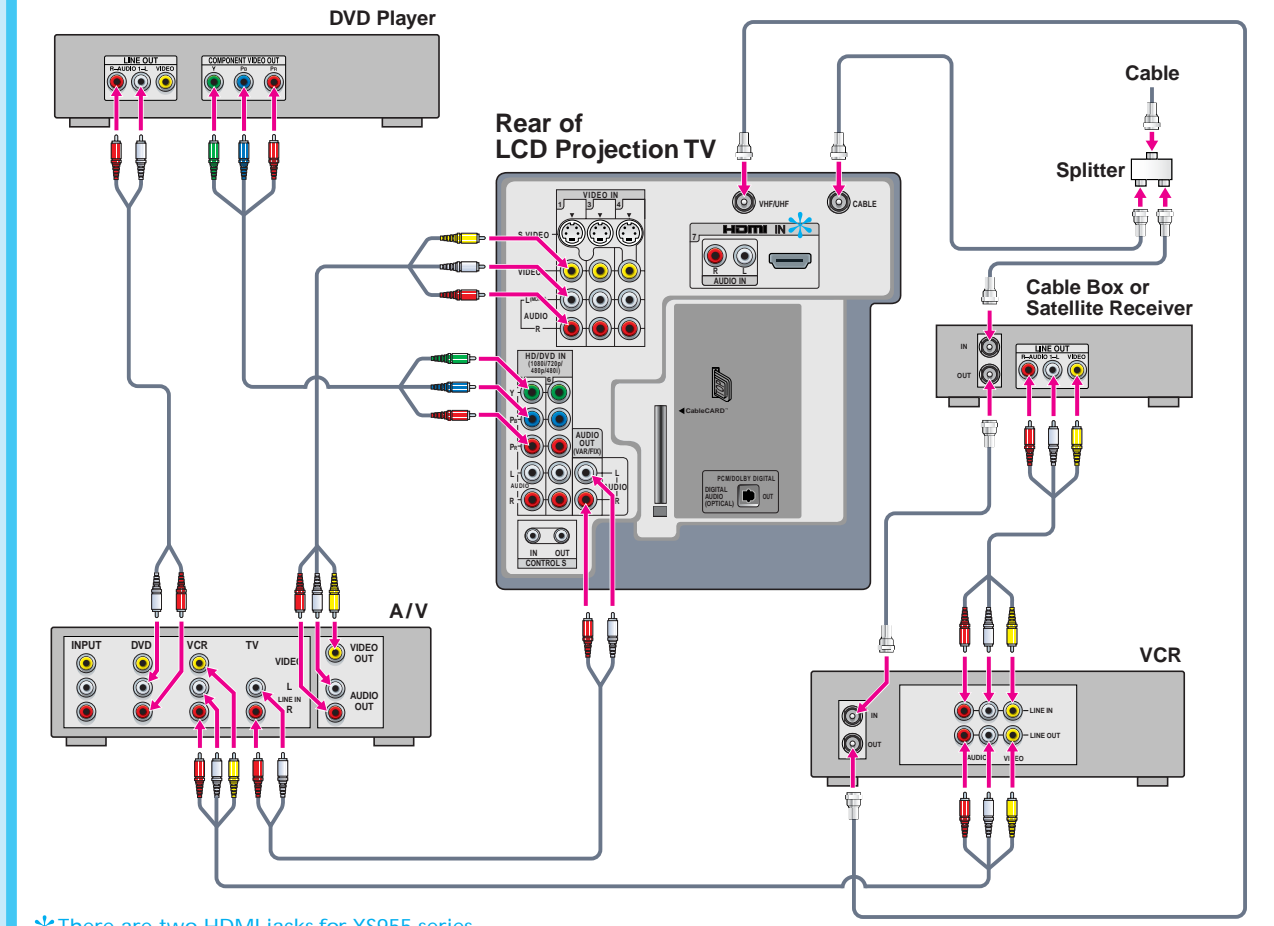
Use this diagram if you have;



Cables Required	
Splitter	1
Coaxial	5
Composite	3
Component	1
Audio	2

If your DVD player or satellite receiver has a HDMI jack, use that instead of the video connections shown here.

If you are not using a cable box or satellite receiver, connect your cable or antenna to the VCR's RF IN jack.



\*There are two HDMI jacks for XS955 series.

# D

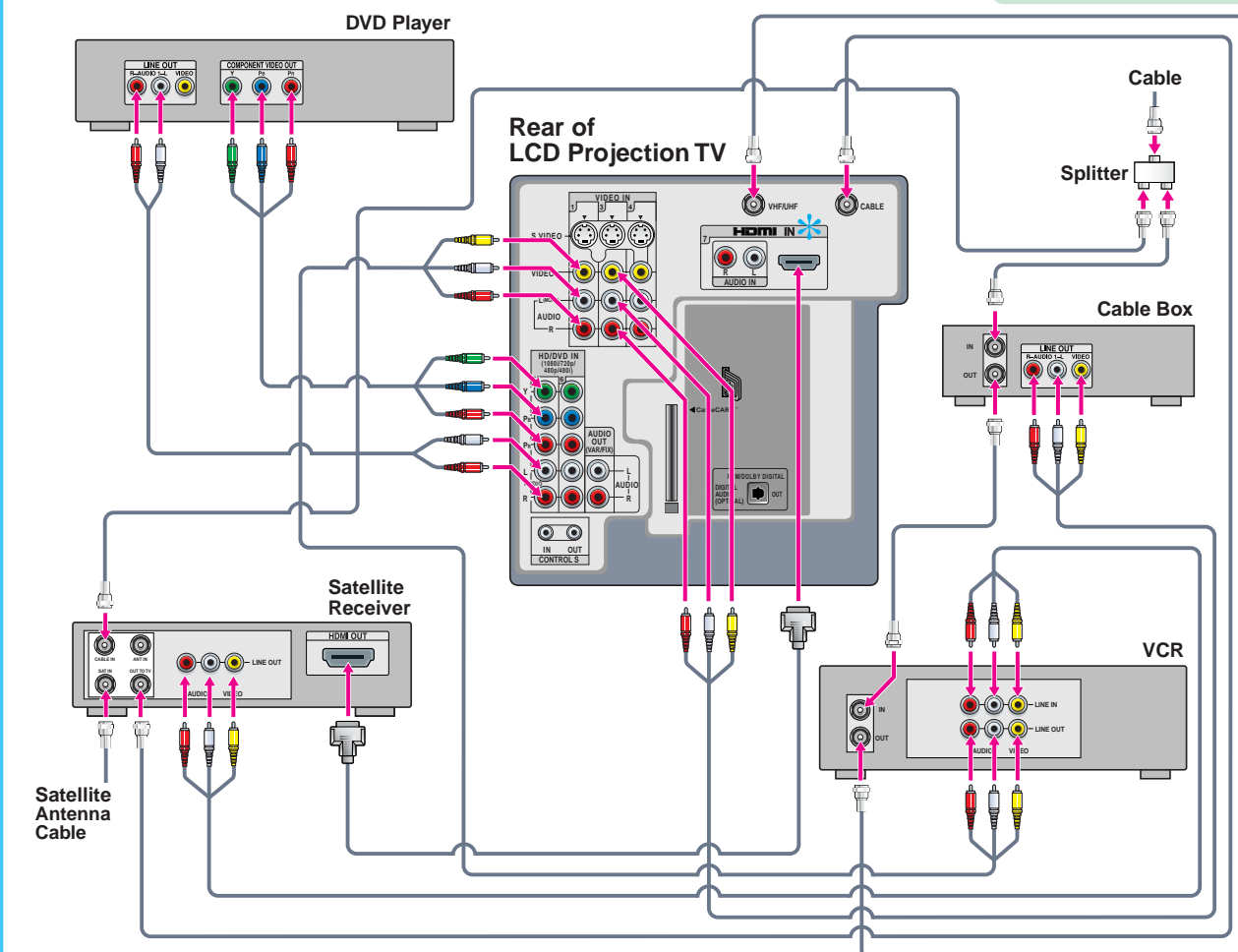
Use this diagram if you have;



Cables Required	
Splitter	1
Coaxial	7
Composite	3
Component	1
HDMI	1
Audio	1

If your DVD player or satellite receiver has a HDMI jack, use that instead of the video connections shown here.

If you are not using a cable box, connect your cable or antenna to the VCR's RF IN jack.



\*There are two HDMI jacks for XS955 series.

# E

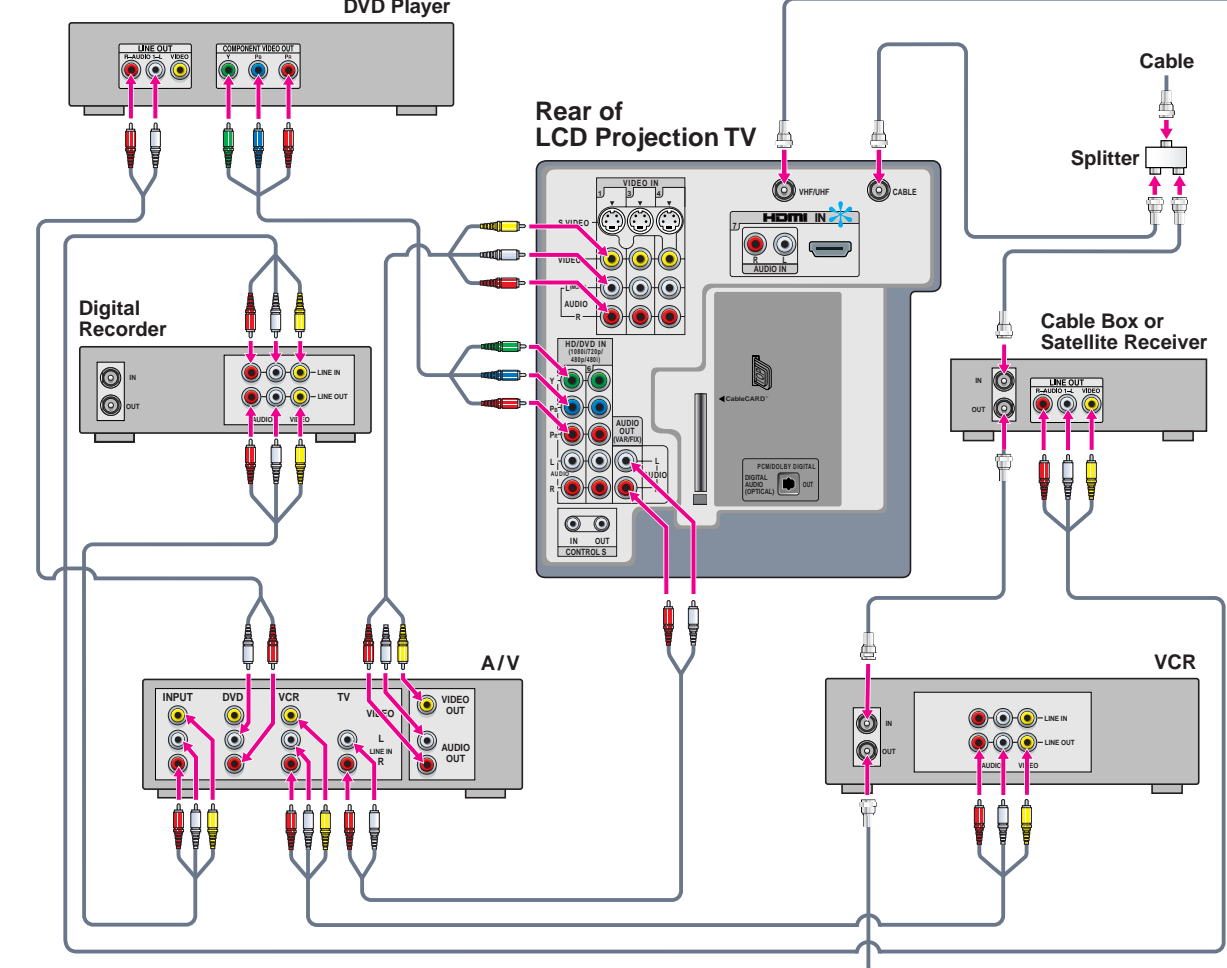
Use this diagram if you have;



Cables Required	
Splitter	1
Coaxial	5
Composite	4
Component	1
Audio	2

If your DVD player or satellite receiver has a HDMI jack, use that instead of the video connections shown here.

If you are not using a cable box or satellite receiver, connect your cable or antenna to the VCR's RF IN jack.



\*There are two HDMI jacks for XS955 series.

# F

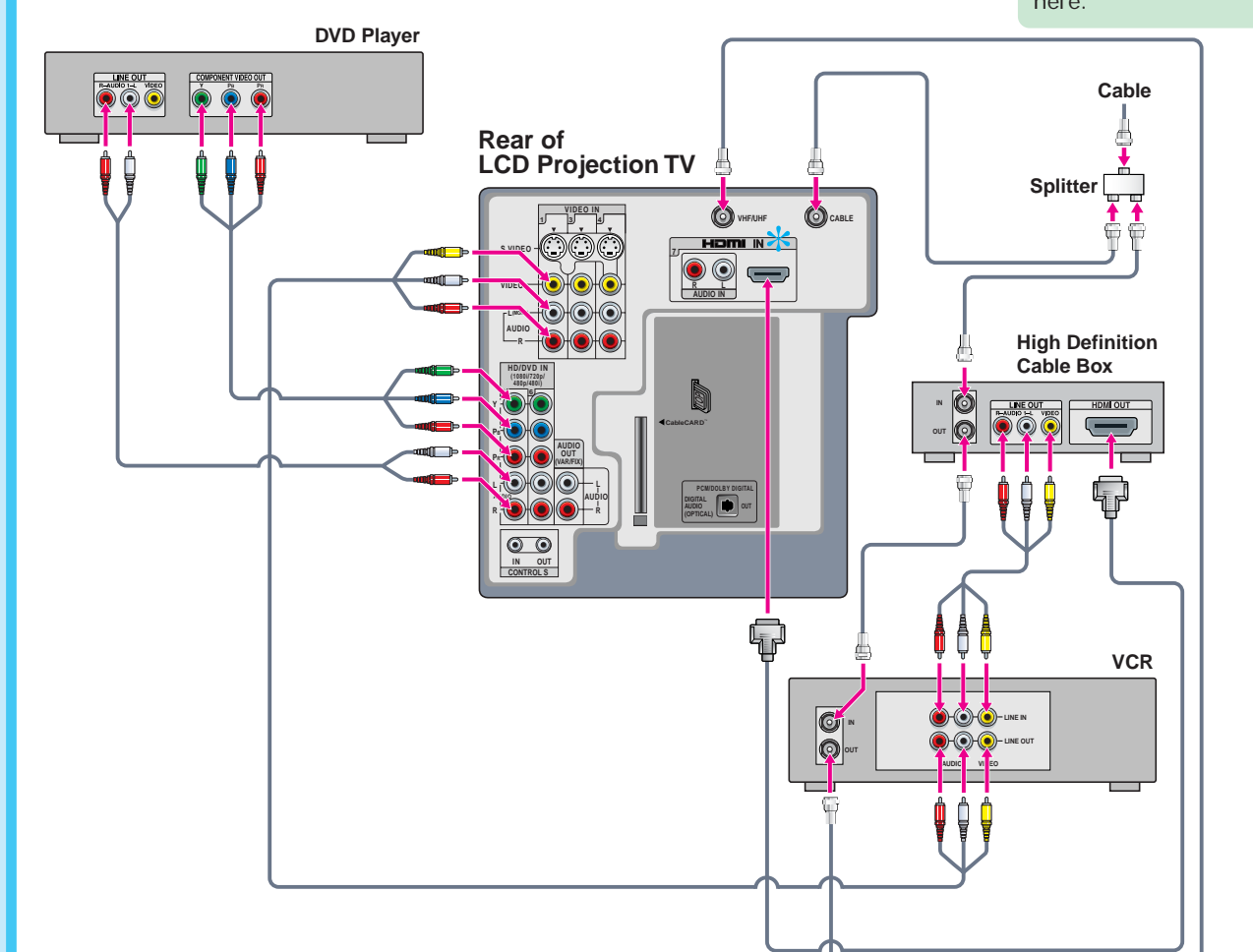
Use this diagram if you have;



Cables Required	
Splitter	1
Coaxial	5
Composite	2
Component	1
HDMI	1
Audio	1

If your DVD player or satellite receiver has a HDMI jack, use that instead of the video connections shown here.

If your cable box has a DVI jack, use that instead of the video connections shown here.



\*There are two HDMI jacks for XS955 series.