

KDP-51WS655, KDP-57WS655

Quick Setup Guide

To set up your projection TV, follow these steps:



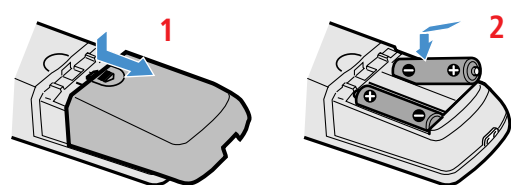
If, after reading the Operating Instructions and this Quick Setup Guide, you have additional questions related to the use of your Sony television, please call our Customer Information Services Center at: 1-800-222-SONY (7669) (US residents only) or (416) 499-SONY (7669) (Canadian residents only).

1 Checking the Supplied Accessories

Along with your new projection TV, the package contains a remote control and two AA batteries. No additional cables are included. These items are all you need to set up and operate the projection TV in its basic configuration.

Inserting Batteries

- 1 Remove the battery cover from the remote control.
- 2 Insert two size AA (R6) batteries (supplied) by matching the **+** and **-** terminals on the batteries to the diagram inside the battery compartment.
- 3 Replace the battery cover.



- Remove the batteries to avoid damage from possible battery leakage whenever you anticipate that the remote control will not be used for an extended period.
- Handle the remote control with care.
- Avoid dropping it, getting it wet, placing it in direct sunlight, near a heater, or where the humidity is high.

2 Carrying the Projection TV

- Be careful when moving the TV.
- When you place the TV in position, be careful not to drop it on your foot or fingers.
- Watch your footing while installing the TV.
- If you carry the TV in a manner other than the specified manner and without the specified number of persons, it may drop and a serious injury may be caused. Be sure to follow the instructions mentioned below.
- Carrying the TV requires four or more people.
- Do not carry the TV holding the speaker grill.
- Hold the TV tightly when carrying it.
- The TV includes casters. Be sure to move your projection TV using these casters.

3 Connecting Your Projection TV

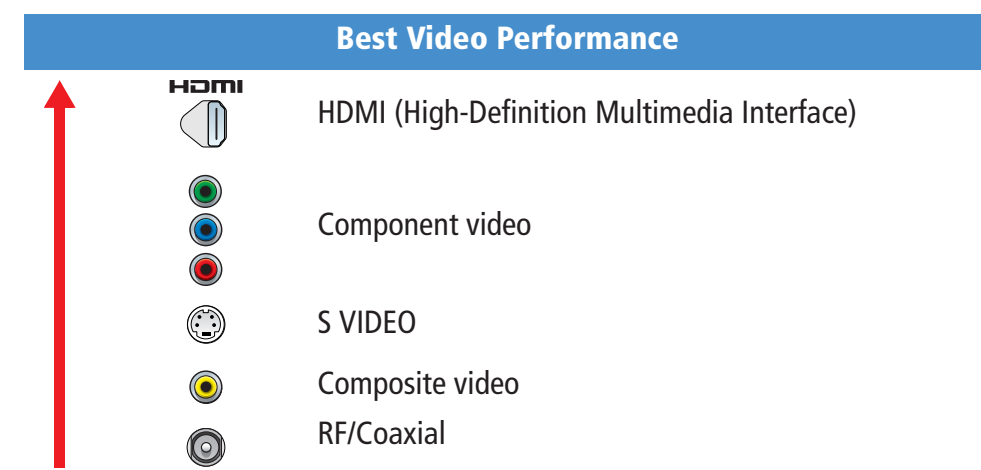
Review the following chart to determine which diagram to use to connect the components in your system:

For these components	See Reverse
Cable, Antenna, CableCARD (optional), VCR, DVD Player	A
Cable, Antenna, Cable Box or Satellite Receiver, VCR, DVD Player, AV Receiver	B
Cable, Antenna, Cable Box, VCR, DVD Player, Satellite Receiver	C
Cable, Antenna, HD Cable Box or HD Sat Receiver, DVD Player, AV Receiver, Digital Receiver	D
Cable, Antenna, HD Cable Box, VCR, DVD Player	E
Cable, Antenna, Cable Box or Satellite Receiver, Sony Dream System	F

- See the "Cables Required" chart that appears with the diagram to determine which cables you'll need. You may need to purchase extra accessories, such as cables and splitters, depending on the components you plan to connect.
- Turn off and unplug all components before making connections.
- If you have a component such as a DVD player that includes a DVI video output, you can connect it to the TV's HDMI input using a DVI-to-HDMI cable (and analog audio cables).
- If you are connecting a digital cable box, you'll need a special bi-directional splitter that's compatible with your cable box. Contact your cable provider for details.

Making Video Connections

Your TV includes several types of video inputs. Use the inputs that are available on your components that provide the best video performance, as described below.



Additional Connections

For best audio performance, connect your digital audio components using either digital optical or digital coaxial audio connections.

If you are using a CableCARD or the digital audio (optical) output connector, see the Operating Instructions for details.

Depending on which components are in your system, you may need to complete additional connections. For example, if you have a satellite receiver, you'll need to connect the satellite antenna. If you have an A/V receiver, you'll need to connect speakers.

The connection diagrams shown on the reverse side are recommendations only; other possible solutions may exist. Connections that include an A/V receiver can often be very complex, so check your A/V receiver's instruction manual for additional details.

4 Running Initial Setup

After you finish connecting the TV, you need to run Initial Setup, which automatically creates a list of available analog and digital channels. The Initial Setup screens appear when you turn on your TV for the first time after hooking it up.

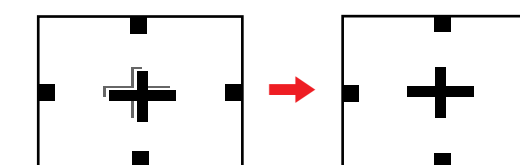
- 1 Press **POWER** to turn on the TV. The Initial Setup screen appears.
- 2 Using the remote control, move the highlight to the desired language, then press to select that language. The next screen instructs you to connect your cable/antenna. Check that you've connected your signal source correctly.
- 3 To start Auto Program, highlight **Yes** and then press **↵**. Auto Program automatically creates a list of receivable analog and digital channels. Auto Program may take 50 minutes or more to complete. A progress bar is displayed while the channel list is being created. The lowest numbered channel is displayed.

5 Adjusting the Convergence

The projection tube image appears on the screen in three colors (red, green and blue). If the three colors do not project properly, the color is poor and the picture blurs. Before you use your TV, be sure to run the Flash Focus feature. Flash Focus adjusts the color projection settings automatically.

Allow the TV to warm up for about 30 minutes before you adjust the convergence with Flash Focus.

- 1 Tune to a TV or cable TV program.
- 2 Press the **FLASH FOCUS** button on the front panel of the TV. The cross pattern appears and Flash Focus begins to work.



The adjustment is completed when the TV picture returns.

To Perform Additional Fine Manual Adjustments

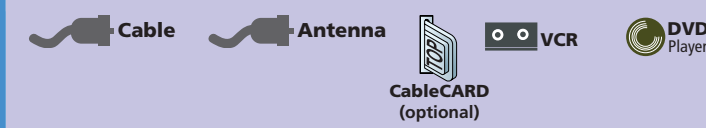
- Use the manual Convergence feature, as described in the Operating Instructions.

Notes on Flash Focus

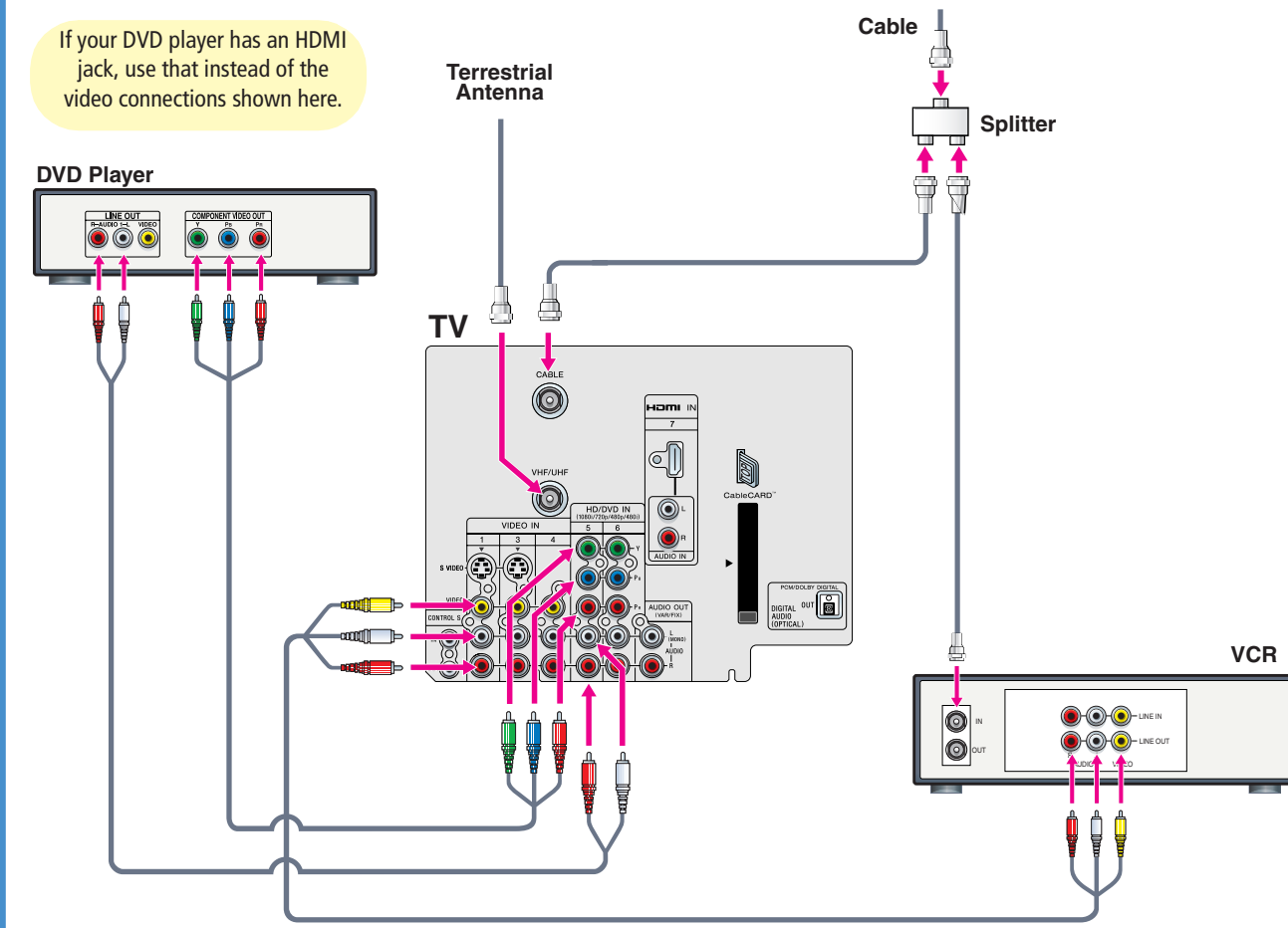
- You cannot perform any other functions until Flash Focus has completed its cycle. If you perform any other operation while Flash Focus is in progress, the Flash Focus operation is canceled.

A

Use this diagram if you have:

**Cables Required**

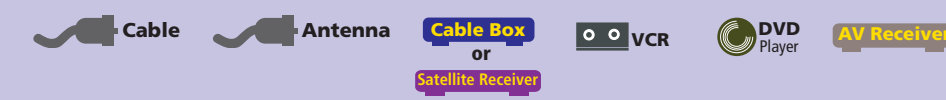
Splitter	1
Coaxial	4
Composite	1
Component	1
Audio	1



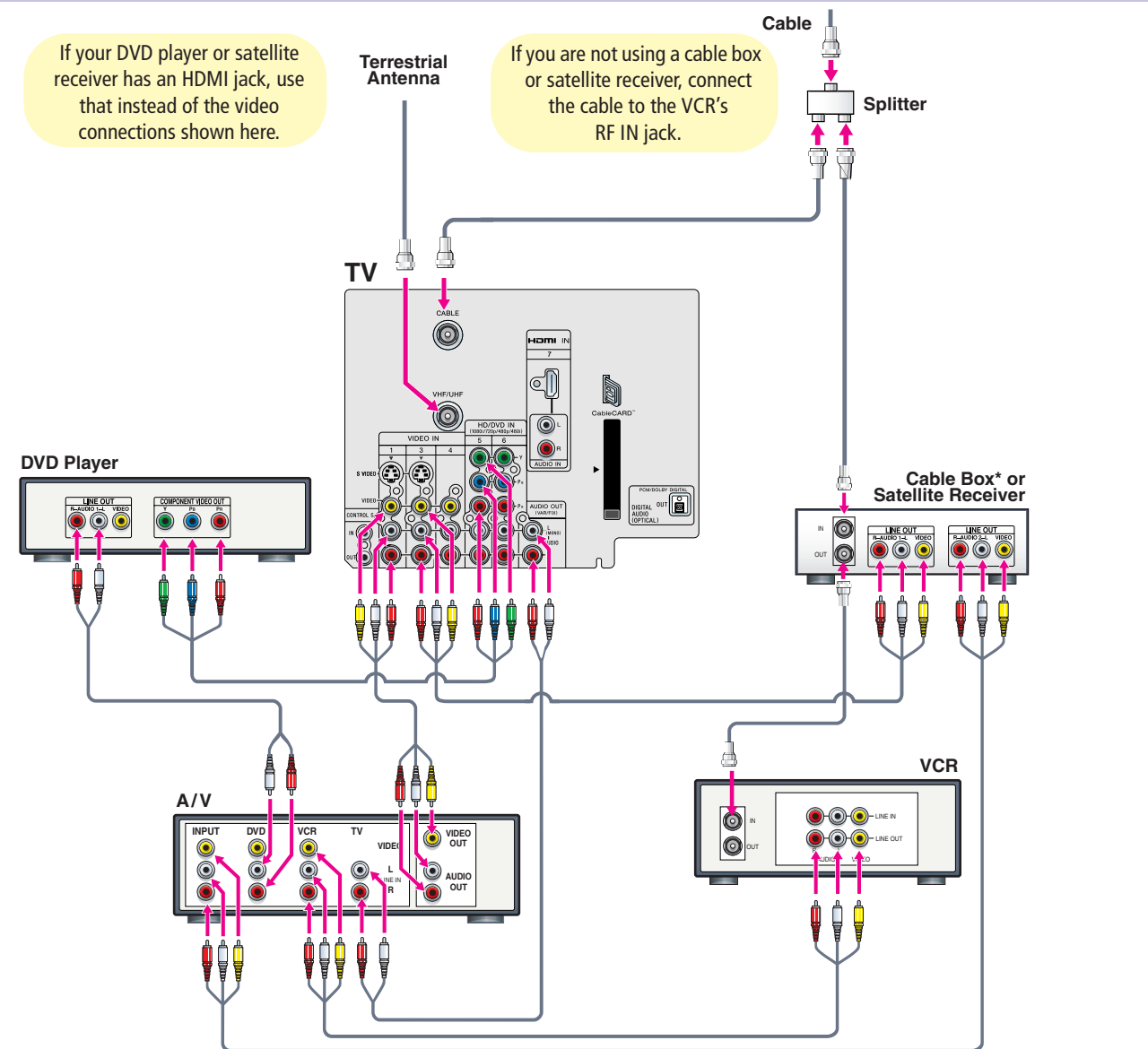
CableCARD use is optional; contact your cable TV provider. See the Operating Instructions for details on using CableCARD.

B

Use this diagram if you have:

**Cables Required**

Splitter	1
Coaxial	5
Composite	4
Component	1
Audio	2



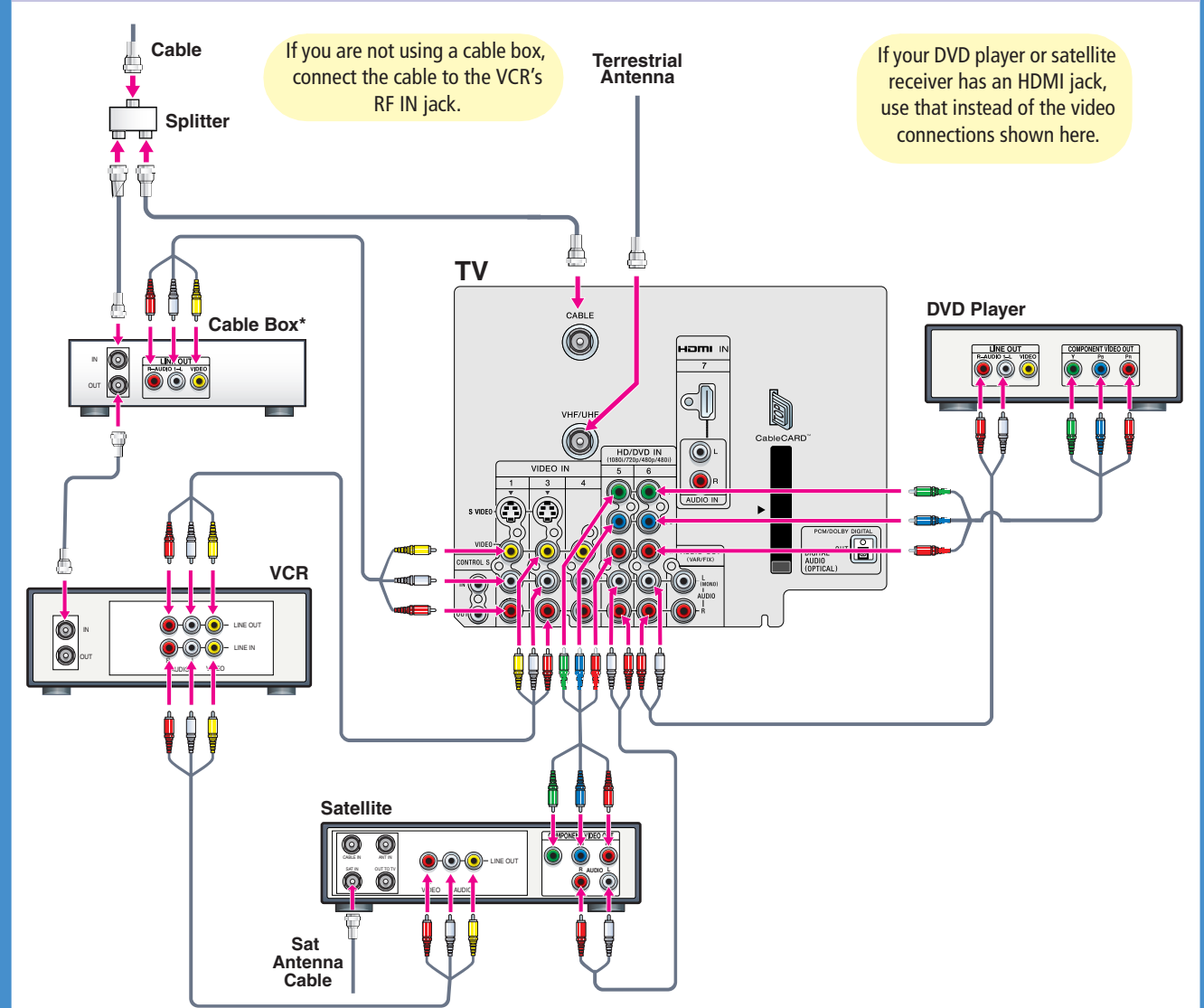
* Cable box may not be required if using CableCARD. See the Operating Instructions for details.

C

Use this diagram if you have:

**Cables Required**

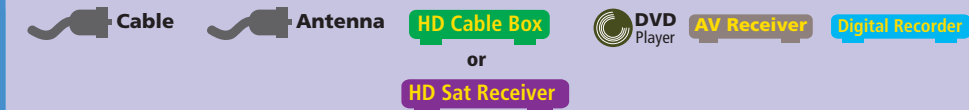
Splitter	1
Coaxial	5
Composite	3
Component	2
Audio	2



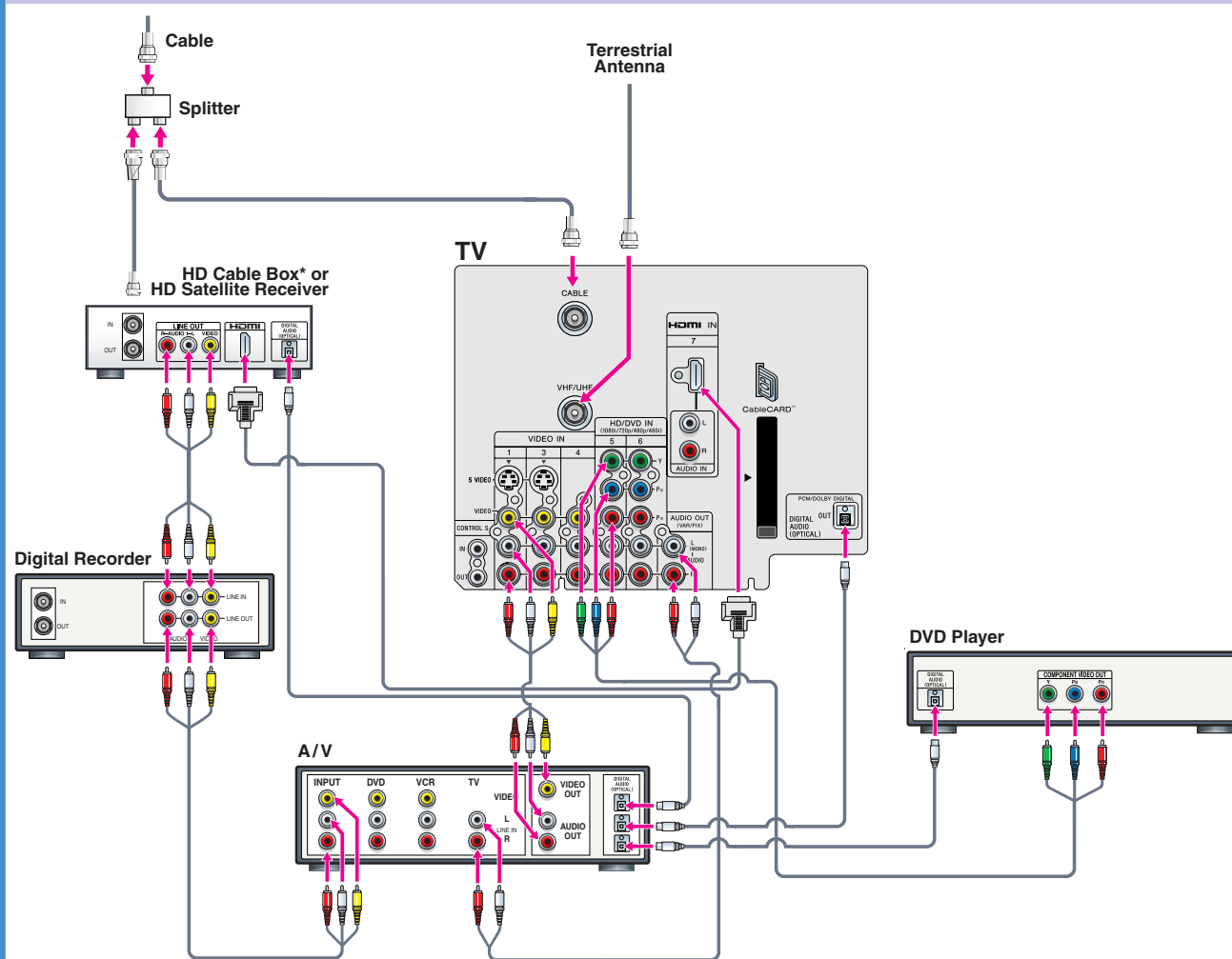
* Cable box may not be required if using CableCARD. See the Operating Instructions for details.

D

Use this diagram if you have:

**Cables Required**

Splitter	1
Coaxial	4
Composite	3
Component	1
HDMI	1
Digital Optical Audio	3
Audio	1



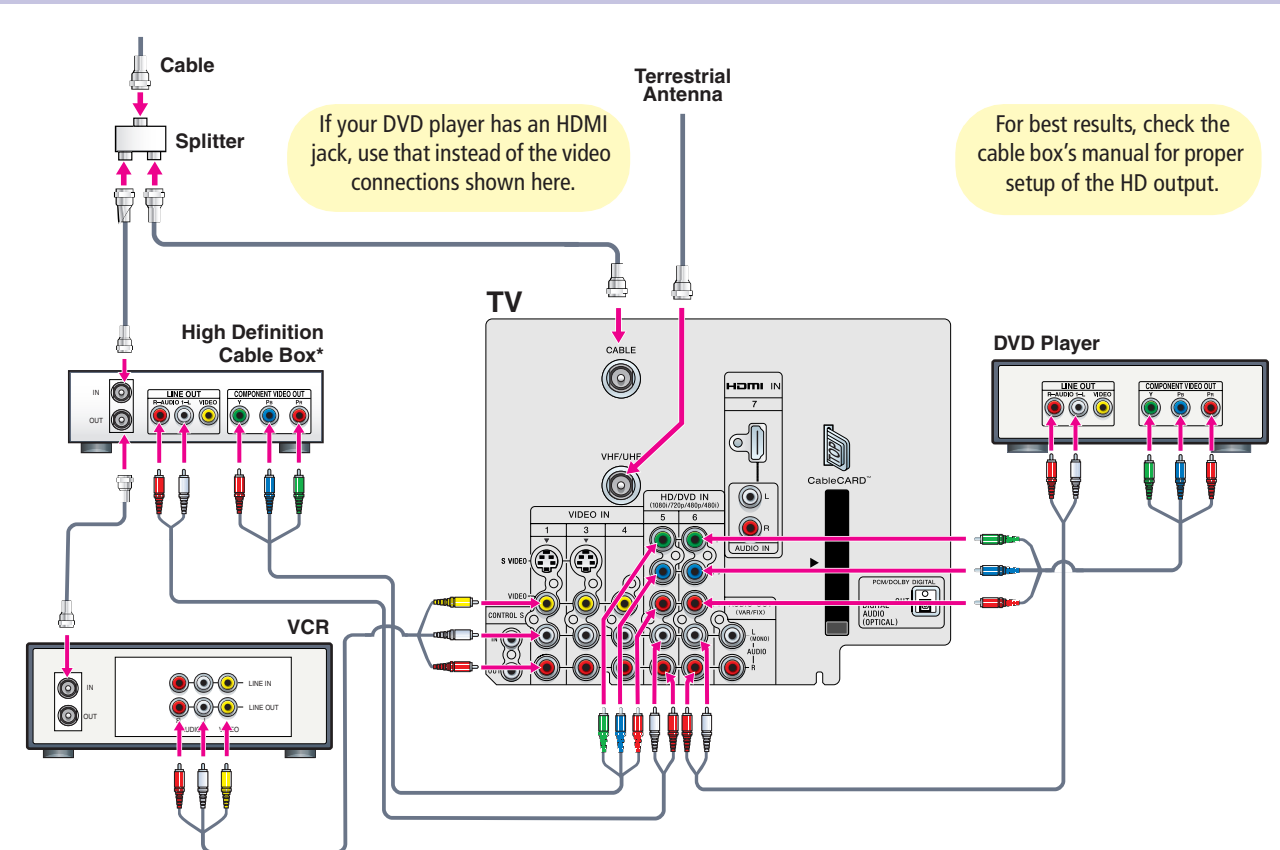
* Cable box may not be required if using CableCARD. See the Operating Instructions for details.

E

Use this diagram if you have:

**Cables Required**

Splitter	1
Coaxial	5
Composite	1
Component	2
Audio	2



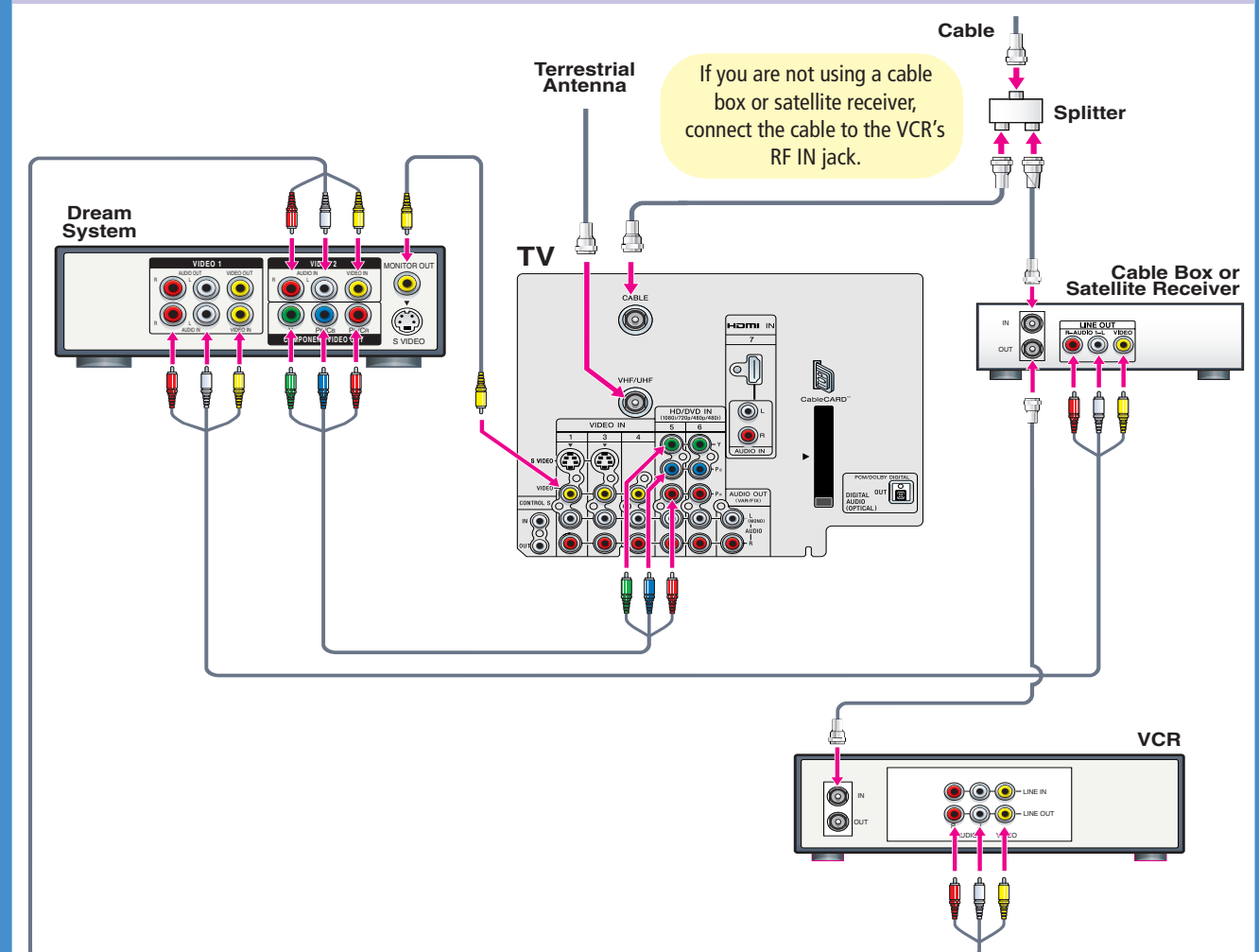
* Cable box may not be required if using CableCARD. See the Operating Instructions for details.

F

Use this diagram if you have:

**Cables Required**

Splitter	1
Coaxial	5
Composite	2
Component	1
Video	1



* Cable box may not be required if using CableCARD. See the Operating Instructions for details.

Free Manuals Download Website

<http://myh66.com>

<http://usermanuals.us>

<http://www.somanuals.com>

<http://www.4manuals.cc>

<http://www.manual-lib.com>

<http://www.404manual.com>

<http://www.luxmanual.com>

<http://aubethermostatmanual.com>

Golf course search by state

<http://golfingnear.com>

Email search by domain

<http://emailbydomain.com>

Auto manuals search

<http://auto.somanuals.com>

TV manuals search

<http://tv.somanuals.com>