

# Replacing the Lens

You can install the following types of optional lenses in the projector:

- VPLL-1008 Fixed Short Focus Lens
- VPLL-Z1024 Middle Focus Zoom Lens
- VPLL-Z1032 Long Focus Zoom Lens

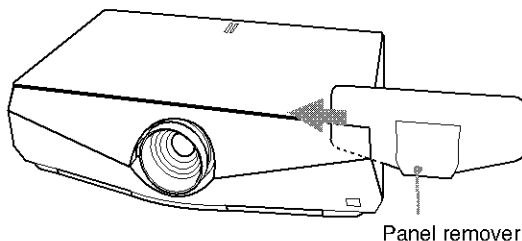
Follow the steps below to replace each lens:

VPL-FE40/FX40 (equipped with standard lens): steps 1 to 5 and, steps 7 to 9

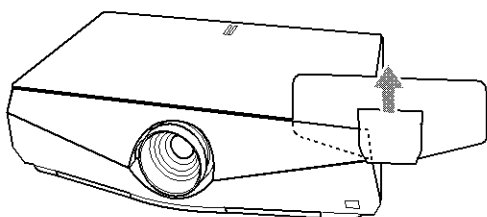
VPL-FE40L/FX40L (lens optional): steps 1 to 4, and steps 6 to 9

*For details on replacing the lens, also refer to the installation manual supplied with the lens.*

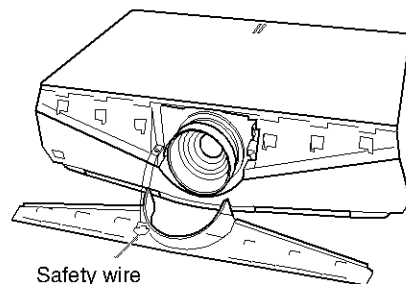
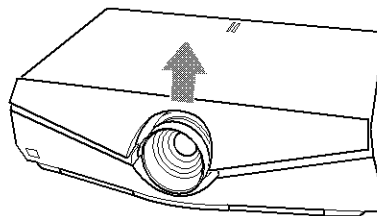
- 1** Turn off the power and disconnect the power cable.
- 2** Remove the front panel following the steps below.
  - ①** Insert the panel remover from the right side of the front panel as the illustration. Then slide the panel remover toward left pinching the front panel.



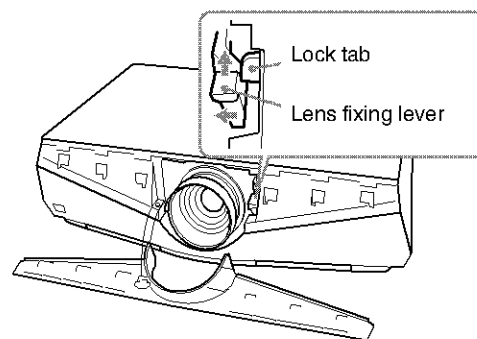
- ②** Pinch the right side of the front panel firmly with the panel remover and slide it until it does not move any more. Then pull up the panel remover. The right side of the front panel is removed.



- 3** Remove the left half of the front panel in the same step, and pick up the front panel. The front panel is connected to the main unit with a wire for safety.



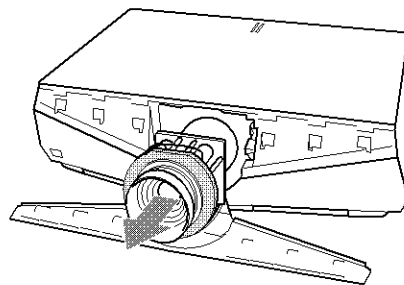
- 4** Move the lens fixing lever to the lens, then lift it up.



### Note

Lift up the lens fixing lever correctly. Otherwise you cannot remove the lens.

- 5** Withdraw the lens straight forward.

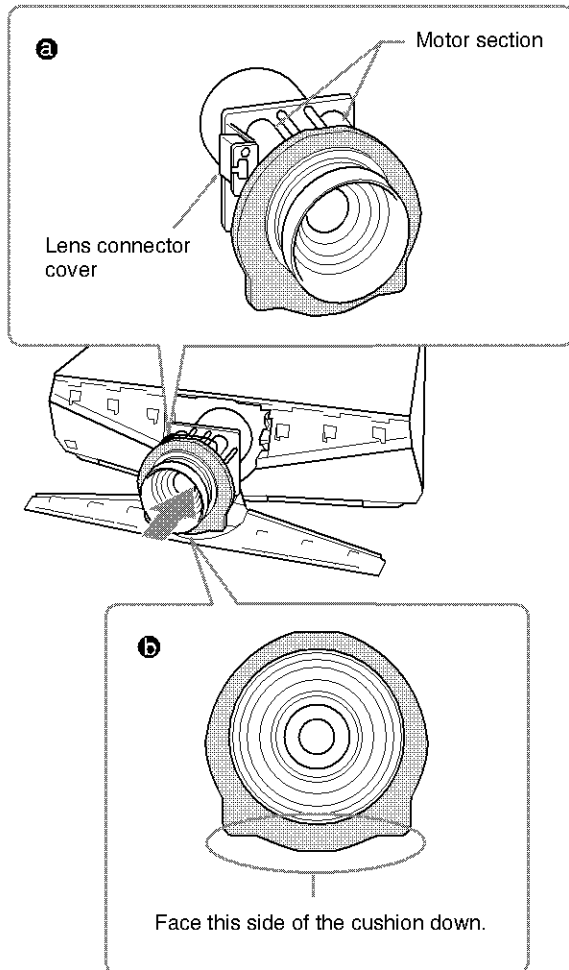


### Note

Use both hands to withdraw the lens.

**6** Remove the lens hole cover of VPL-FE40L/  
FX40L.

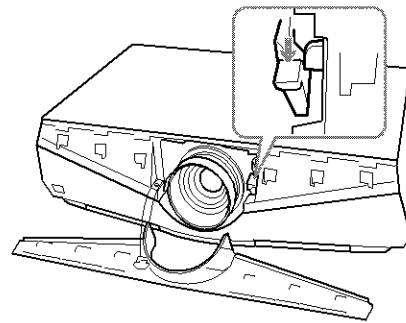
**7** Remove two lens caps and the lens connector  
cover from the replacment lens.  
Adjust the lens so that the motor section faces up  
as in illustration **a**, and check that the cushion  
around the lens is positioned as in illustration **b**.  
Then insert the lens straight in the direction of the  
arrow.



**Notes**

- If the cushion is not positioned as in illustration **b**, rotate it by hand. In this case, take care that the cushion does not come off the groove of the lens.
- Change the lens carefully so as not to damage the lens glass with the lever or other parts.

**8** Move the lens fixing lever down to the bottom  
correctly.

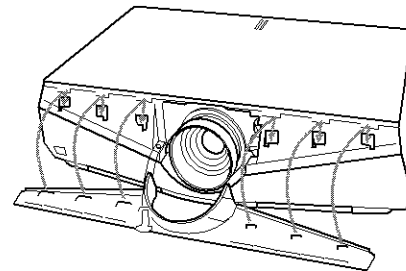


If the lens fixing lever does not move down, the  
lens may not be fully inserted. Insert it again and  
move the lens fixing lever down to the bottom  
correctly.

**Note**

If the lens does not go in fully, turn the lens  
slightly right and left slightly.

**9** Insert the tab on the rear of the front panel and the  
plug-in part into the main unit, then hold down the  
panel so it locks with a click.



**Notes**

- Take care not to allow the safety wire to protrude.
- After fitting the left and right front panels, check that the top of the front panel does not lift up or protrude from the main unit.

**Note on changing lenses**

Do not touch the surface of the lens.

**Note**

When you use the VPLL-1008, do so in the range  
between +90° and -90° (when the lower parts of the  
lens is a plus) on the basis of installing the VPL-FE40/  
FX40 horizontally on the floor.

## Free Manuals Download Website

<http://myh66.com>

<http://usermanuals.us>

<http://www.somanuals.com>

<http://www.4manuals.cc>

<http://www.manual-lib.com>

<http://www.404manual.com>

<http://www.luxmanual.com>

<http://aubethermostatmanual.com>

Golf course search by state

<http://golfingnear.com>

Email search by domain

<http://emailbydomain.com>

Auto manuals search

<http://auto.somanuals.com>

TV manuals search

<http://tv.somanuals.com>