

Network Camera

User's Guide

Software Version 1.4

SNC-VL10N/VL10P

Owner's Record

The model and serial numbers are located at the bottom. Record these numbers in the spaces provided below. Refer to these numbers whenever you call upon your Sony dealer regarding this product.

Model No. _____
Serial No. _____

WARNING

To prevent fire or shock hazard, do not expose the unit to rain or moisture.

**For AC Adaptor
To avoid electrical shock, do not open the cabinet. Refer servicing to qualified personnel only.**

Important

Nameplate is located on the bottom.

For customers in the U.S.A.

This equipment has been tested and found to comply with the limits for a Class B digital device, pursuant to Part 15 of the FCC Rules. These limits are designed to provide reasonable protection against harmful interference in a residential installation. This equipment generates, uses, and can radiate radio frequency energy and, if not installed and used in accordance with the instructions, may cause harmful interference to radio communications. However, there is no guarantee that interference will not occur in a particular installation. If this equipment does cause harmful interference to radio or television reception, which can be determined by turning the equipment off and on, the user is encouraged to try to correct the interference by one or more of the following measures:

- Reorient or relocate the receiving antenna.
- Increase the separation between the equipment and receiver.
- Connect the equipment into an outlet on a circuit different from that to which the receiver is connected.
- Consult the dealer or an experienced radio/TV technician for help.

You are cautioned that any changes or modifications not expressly approved in this manual could void your authority to operate this equipment.

The shielded interface cable recommended in this manual must be used with this equipment in order to comply with the limits for a digital device pursuant to Subpart B of Part 15 of FCC Rules.

If you have any questions about this product, you may call:

*Sony's Business Information Center (BIC) at
1-800-686-SONY (7669)*

*or Write to: Sony Customer Information Services
Center*

*6900-29, Daniels Parkway, PMB 330
Fort Myers, Florida 33912*

Declaration of Conformity

Trade Name: SONY
Model: SNC-VL10N
SNC-VL10P
Responsible Party: Sony Electronics Inc.
Address: 680 Kinderkamack Road,
Oradell, NJ 07649 U.S.A.
Telephone Number: 201-930-6972

This device complies with part 15 of the FCC Rules. Operation is subject to the following two conditions:
(1) this device may not cause harmful interference, and
(2) this device must accept any interference received, including interference that may cause undesired operation.

Caution for U.S.A.

When operating the unit on 48V DC, use a UL listed power supply evaluated as a limited power source or as a Class 2 power supply, rated 48V DC, 200 mA min.

Caution for other countries

When operating the unit on 48V DC, use an EN60950 or IEC60950 applied power supply evaluated as a limited power source, rated 48V DC, 200 mA min.

Voor de klanten in Nederland

- Dit apparaat bevat een vast ingebouwde batterij die niet vervangen hoeft te worden tijdens de levensduur van het apparaat.
- Raadpleeg uw leverancier indien de batterij toch vervangen moet worden. De batterij mag alleen vervangen worden door vakbekwaam servicepersoneel.
- Gooi de batterij niet weg maar lever deze in als klein chemisch afval (KCA).
- Lever het apparaat aan het einde van de levensduur in voor recycling, de batterij zal dan op correcte wijze verwerkt worden.



NOTICE TO USERS

© 2002 Sony Corporation. All rights reserved. This manual or the software described herein, in whole or in part, may not be reproduced, translated or reduced to any machine readable form without prior written approval from Sony Corporation.

SONY CORPORATION PROVIDES NO WARRANTY WITH REGARD TO THIS MANUAL, THE SOFTWARE OR OTHER INFORMATION CONTAINED HEREIN AND HEREBY EXPRESSLY DISCLAIMS ANY IMPLIED WARRANTIES OF MERCHANTABILITY OR FITNESS FOR ANY PARTICULAR PURPOSE WITH REGARD TO THIS MANUAL, THE SOFTWARE OR SUCH OTHER INFORMATION. IN NO EVENT SHALL SONY CORPORATION BE LIABLE FOR ANY INCIDENTAL, CONSEQUENTIAL OR SPECIAL DAMAGES, WHETHER BASED ON TORT, CONTRACT, OR OTHERWISE, ARISING OUT OF OR IN CONNECTION WITH THIS MANUAL, THE SOFTWARE OR OTHER INFORMATION CONTAINED HEREIN OR THE USE THEREOF.

Sony Corporation reserves the right to make any modification to this manual or the information contained herein at any time without notice.

The software described herein may also be governed by the terms of a separate user license agreement.

CCD IRIS™ is a trademark of Sony Corporation.

Microsoft, Windows, Internet Explorer and MS-DOS are registered trademarks of Microsoft Corporation in the United States and/or other countries.

Netscape is a registered trademark of Netscape Communications Corporation in the U.S. and other countries.

Java is a trademark of Sun Microsystems, Inc. in the United States and other countries.

UNIX is a registered trademark of The Open Group in the US and other countries.

Linux is a registered trademark of Linus Torvalds.

Pentium is a registered trademark of Intel Corporation or its subsidiaries in the United States and other countries.

All other company and product names are trademarks or registered trademarks of the respective companies or their respective makers.

Table of Contents

Overview

How to Use This Manual	5
Precautions	5

Operating the Camera

Logging In to Homepage — Login Page	6
Configuration of Main Viewer Page	7
Menu Section	7
Image Control Section	8
Monitoring the Image from the Camera	8
About Viewers	8
Controlling the Monitor Image from the Image Control Section	9
Controlling the Monitor Image Using the Menu	10
Controlling the Monitor Image Using the Java Applet Viewer	12
Changing the Access Right — Re-login Page ...	12
When You Have Trouble — FAQ Page	12

Administrating the Camera

Logging in as Administrator	13
Configuration of Menu Page	13
Configuring the System — System Setting Page	14
Setting the User — User Setting Page	15
Configuring the Network — Network Setting Page	16
Common Items	16
LAN	17
Cable Modem	17
xDSL Interface	18
PSTN Interface	18
Setting the Security — Security Setting Page	19
Setting the Camera — Camera Setting Page	20
Sending Images via E-mail at Alarm — SMTP Setting Page	21
Sending Images to FTP Server at Alarm — FTP Setting Page	23
Configuring the Serial Port — Serial Setting Page	25
Configuring the Sensor I/O Port — Sensor I/O Setting Page	25
Upper Half of Sensor I/O Setting Page	25

Lower Half of Sensor I/O Setting Page	26
---	----

Others

Assigning the IP Address to the Camera Using ARP Commands	28
Assigning the IP Address	28
Confirming the Setup	28
Connecting the Camera to a Network	29
Connecting to a Local Network (LAN)	29
Connection Using a Cable Modem	29
Connection Using an xDSL Modem	30
Connection Using a USB Modem	30
Connection Using IEEE802.3af Compliant Power Supply Equipment	31

How to Use This Manual

This manual explains how to operate the SNC-VL10N/VL10P Network Camera from a client PC.

This manual is written to be read on the computer display.

As this section gives tips on using this manual, read it before you operate the camera.

Jumping to the related page

When you read this manual on the computer display, click on the sentence to jump to the related page.

Software display examples

Note that the displays shown in this manual are explanatory examples. Some displays may be different from the ones which appear as you operate the application software.

Printing this manual

Depending on your system, certain displays or illustrations in this manual, when printed out, may differ from those as portrayed on your screen.

Installation Manual (printed matter)

The supplied Installation Manual describes the names and functions of parts and controls of the Network Camera, connecting examples and how to set up the camera. Be sure to read the Installation Manual before operating.

Precautions

Operating or storage location

Avoid operating or storing the camera in the following locations:

- Extremely hot or cold places (Operating temperature: -10°C to +50°C [14°F to 122°F])
- Exposed to direct sunlight for a long time, or close to heating equipment (e.g., near heaters)
- Close to sources of strong magnetism
- Close to sources of powerful electromagnetic radiation, such as radios or TV transmitters

Transportation

When transporting the camera, repack it as originally packed at the factory or in materials of equal quality.

Cleaning

- Use a blower to remove dust from the lens or optical filter.
- Use a soft, dry cloth to clean the external surfaces of the camera. Stubborn stains can be removed using a soft cloth dampened with a small quantity of detergent solution, then wipe dry.
- Do not use volatile solvents such as alcohol, benzene or thinners as they may damage the surface finishes.

About the fan

To prevent internal heat buildup, the camera has a built-in fan. If the frame rate of the camera becomes 1 fps although the other frame rate value has been set using the Frame Rate menu on the Web screen, the built-in fan may be damaged. In this case, contact your authorized Sony dealer.

About the MAC address

The MAC address of the camera may change when the main board has been replaced by the service personnel.

About the software

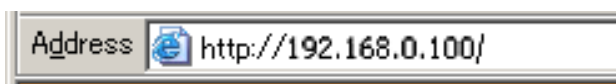
For the latest software information, contact your authorized Sony dealer.

Operating the Camera

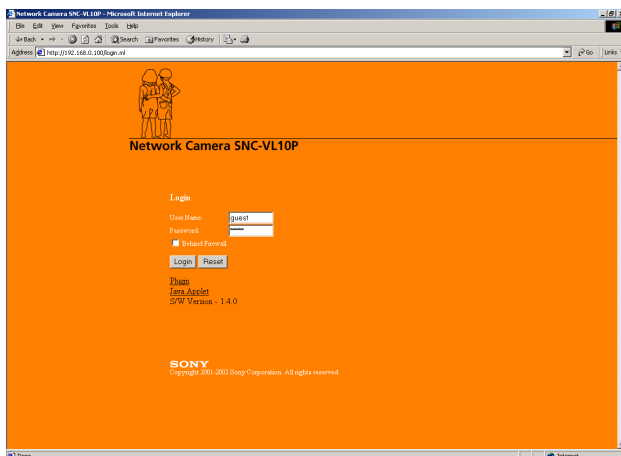
The Operating the Camera section explains how to monitor the image from the camera using the Web browser. For setting the camera, see “Administering the Camera” on page 13.

Logging In to Homepage — Login Page

- 1 Start the Web browser on the computer and type the IP address of the camera you want to monitor.



The Login page of **Network Camera SNC-VL10** is displayed.



- 2 Type your user name and password in the User Name and Password areas.
If you do not know your user name and password, consult your network administrator.
The user name “guest” and its password are set as default settings. You can monitor the camera images with these settings.
- 3 Click **Login**.
If you entered the user name and password that are not for Administrator, the Main Viewer page appears. (See “Configuration of Main Viewer Page” on page 7.)
If you entered the user name and password for Administrator, the Menu page appears. (See “Configuration of Menu Page” on page 13.)

Other Functions on Login Page

Reset button

Resets to the user name and password before typing.

Behind Firewall check box

If a firewall is on the network where the camera is installed and you access the camera from outside the firewall, select this check box. Then the “Firewall Viewer” opens to allow you to view the monitor image of the camera. (The same function is available after you logged in, by clicking **Firewall** on the Main Viewer page.)

Plugin

When you use Netscape Navigator Ver. 4.7 as a Web browser, click this item to open the “Plugin Download” page to allow you to download the plugin required for the Netscape. (The same function is available after you logged in, by clicking **Plugin** on the Main Viewer page.)
For details, see “About Viewers” on page 8.

Java Applet

When you use an OS other than Windows, such as Macintosh, Linux and UNIX, or Netscape Navigator Ver. 6.0, click this item to start the Java Applet viewer. (The same function is available after you logged in, by clicking **Java Applet** on the Main Viewer page.)
For details, see “About Viewers” on page 8.

S/W Version

Displays the camera software version.

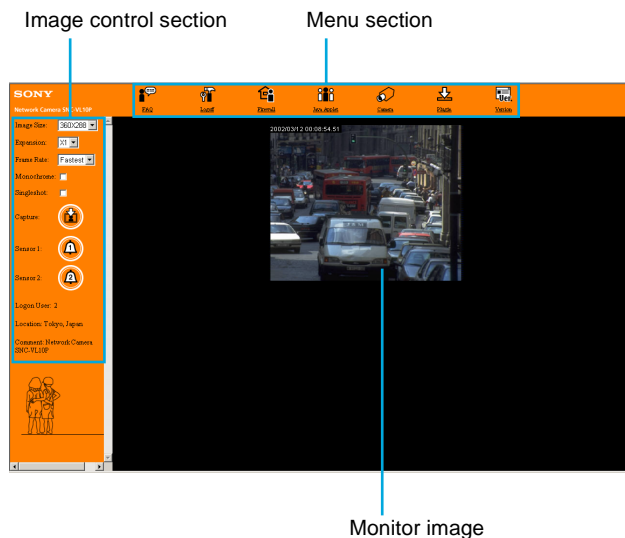
Notes

- When you jump to another page, viewer or setting menu, use the buttons on this software. The use of the buttons on the Web browser such as the Back button is not guaranteed.
- If you are using Netscape Navigator Ver. 4.7 and the viewer image freezes, click the Reload button on the Netscape Navigator.
- If you are using a Proxy server, the image may be distorted or the software may operate incorrectly due to the use of old data in the cache memory of the Proxy server.

Configuration of Main Viewer Page

When you log in with an access right other than Administrator, the Main Viewer page is displayed. When you log in as Administrator, select **Home** on the Menu page (page 13) to display the Main Viewer page. This section briefly explains the functions of the parts and controls on the Main Viewer page. For a detailed explanation on each part or control, see the specified pages.

Main Viewer page



Menu Section



FAQ

Displays the FAQ page.

See “When You Have Trouble — FAQ Page” on page 12.



Logoff

Displays the Re-login page.

See “Changing the Access Right — Re-login Page” on page 12.



Firewall

If a firewall is on the network where the camera is installed and you access the camera from outside the firewall, click this item. Then the “Firewall Viewer” opens.

See “About Viewers” on page 8.



JavaApplet

When you monitor the camera image with a computer whose OS is not Windows, such as Macintosh, Linux and UNIX, or using Netscape Navigator Ver.6.0, click this item. Then the “Java Applet Viewer” opens to allow you to view the monitor image of the camera.

See “Controlling the Monitor Image Using the Java Applet Viewer” on page 12.



Camera

Displays the Camera Setting page. (The **Camera&Sensor** access right is required for this function.)

See “Setting the Camera — Camera Setting Page” on page 20.



Plugin

When you monitor the camera image using Netscape Navigator Ver. 4.7, click this item to open the “Plugin Download page.” (Downloading is required only for the first time you access the camera.)

For details, see “About Viewers” on page 8.



Version

Displays the camera software version.

Image Control Section

Image Size

Selects the image size.
See “Selecting the image size” on page 9.

Expansion

Selects the image expansion ratio.
See “Expanding the image” on page 9.

Frame Rate

Selects the frame rate to transmit images.
See “Selecting the frame rate” on page 9.

Note

An approximate frame rate is displayed on the status bar located on the bottom of the Web browser. This does not indicate the exact frame rate.

Monochrome

Select this check box to display the image in monochrome.
See “Displaying the monitor image in monochrome” on page 10.

Singleshot

Select this check box to freeze the monitor image.
See “Freezing the monitor image” on page 10.



Capture

Click to capture the monitor image.
See “Capturing the monitor image” on page 10.



Sensor 1

Click to output an alarm from sensor output 1 of the Sensor I/O port on the camera.
See “Outputting an Alarm” on page 10.



Sensor 2

Click to output an alarm from sensor output 2 of the Sensor I/O port on the camera.
See “Outputting an Alarm” on page 10.

Note

Sensor 1 and **Sensor 2** are disabled for the users whose access right is **None**.

Logon User

Displays the number of users currently accessing this camera.

Location

Displays the location of the camera.
For setting the location, see “Configuring the System — System Setting Page” on page 14.

Comment

Displays the comment.
For setting the comment, see “Configuring the System — System Setting Page” on page 14.

Monitoring the Image from the Camera

About Viewers

The Network Camera uses Wavelet algorithm to compress and transmit images. Therefore, in order to view images from the camera, you need to download Active-X Control or a viewer plugin depending on your Web browser and/or OS.

Using the Internet Explorer

Active-X Control is necessary. When you log in the camera using the Internet Explorer for the first time, the Active-X Control is automatically downloaded. The monitor image automatically appears when you enter the Main Viewer page.

Using the Netscape Navigator Ver. 4.7

You need to download the plugin for Netscape Navigator stored in the camera. When you log in the camera using Netscape Navigator for the first time, the “Plugin Download” page appears. Click **Download SNC-VL10 Plug-in Now!** and follow the instructions on the screen.

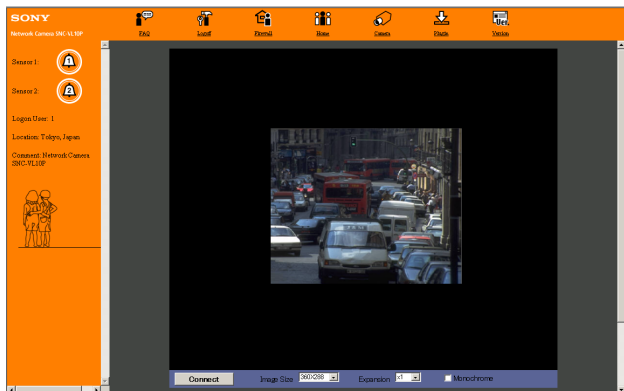
Plugin Download page



Using an OS other than Windows such as Macintosh, UNIX and Linux or Netscape Navigator Ver. 6.0

Java Applet viewer is necessary. When you log in the camera for the first time, click **Java Applet** on the Login page or the Main Viewer page to start the Java Applet viewer. (See “Controlling the Monitor Image Using the Java Applet Viewer” on page 12.)

Java Applet Viewer page

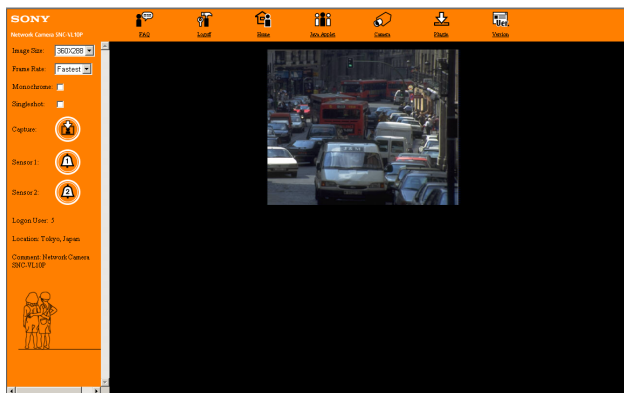


When there is a firewall on the network where the camera is installed

To monitor the camera image outside the firewall, a Firewall viewer is necessary.

To start the Firewall viewer, select the **Behind Firewall** check box on the Login page, or click **Firewall** on the Main Viewer page.

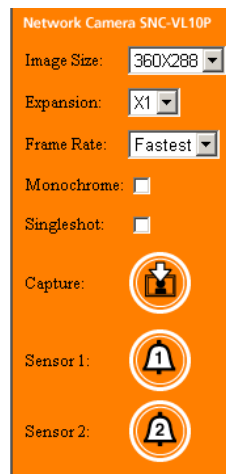
Firewall Viewer page



Controlling the Monitor Image from the Image Control Section

You can control the monitor image from the image control section on the viewer page.

Image control section



Selecting the image size

Click the down-arrow button in the **Image Size** box and select the image size from the drop-down list.

You can select the image size from among the following:

SNC-VL10N:

720 × 486, 720 × 243, 360 × 243, 180 × 121, 90 × 60

SNC-VL10P:

720 × 576, 720 × 288, 360 × 288, 180 × 144, 90 × 72

Expanding the image

Click the down-arrow button in the **Expansion** box and select the expansion ratio from the drop-down list: ×1, ×2, ×3 or ×4.

Notes

- The available expansion ratios depend on the selected image size.
- The expansion ratios cannot be selected when using the Firewall viewer.

Selecting the frame rate

Click the down-arrow button in the **Frame Rate** box and select the frame rate with which the images are transmitted, from the drop-down list: **1 fps, 3 fps, 5 fps, 15 fps** or **Fastest**. “fps” indicates the number of frames transmitted per second. With **Fastest**, the camera transmits the maximum number of frames as possible for the connected line. The maximum frame rate is 30 fps for the SNC-VL10N, and 25 fps for the SNC-VL10P.

Note

If heat builds up inside the camera, the images are transmitted at 1 fps although another frame rate value is

selected in the **Frame Rate** box. In this case, contact your authorized Sony dealer.

Displaying the monitor image in monochrome

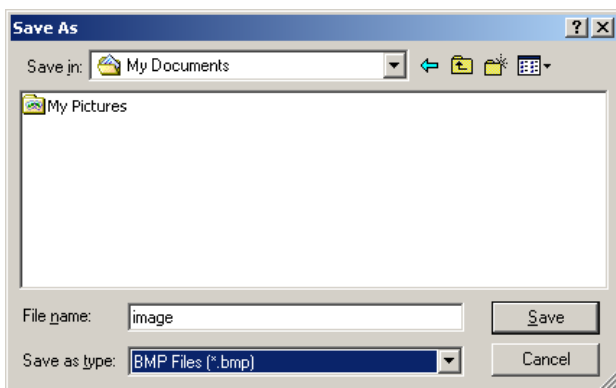
Select the **Monochrome** check box. By removing the check mark, the color monitor image is restored.

Freezing the monitor image

Select the **Singleshot** check box. The monitor image freezes. By removing the check mark, the monitor image in motion is restored.

Capturing the monitor image

Click the **Capture** icon. The monitor image freezes and the “Save As” dialog appears. Type the file name, select the file format, specify the destination to which the file is to be stored, and click **Save**.



About the file format

You can save images in BMP format (.bmp) or in the Wavelet compression format (.eye). You can view the images saved as in the Wavelet compression format (.eye) using a Web browser. Double-click the file and specify the Web browser from the “Application Selection” dialog, then the image appears.

Note

The camera always saves the images in the $\times 1$ expansion ratio, regardless of the expansion ratio in which the image is displayed on the Web browser.

Outputting an Alarm

Click the **Sensor 1** or **Sensor 2** icon.

When you click **Sensor 1**, the alarm is output from sensor output 1 of the Sensor I/O port located on the rear panel of the camera. When you click **Sensor 2**, the alarm is output from sensor output 2 of the Sensor I/O port.

The alarm setting is made on the menu page for Administrator.

See “Configuring the Sensor I/O Port — Sensor I/O Setting Page” on page 25.

Note

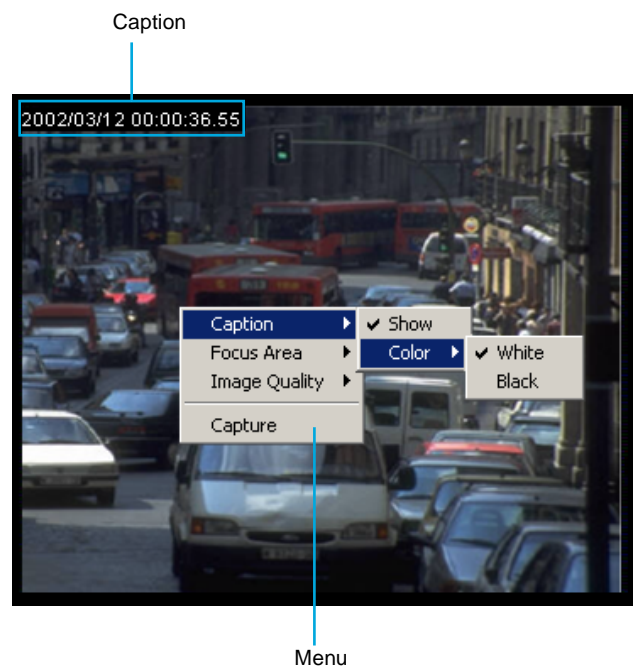
Sensor 1 and **Sensor 2** are disabled for the users whose access right is **None**.

Controlling the Monitor Image Using the Menu

When you right-click on the monitor image, the image control menu appears.

Caption

Specifies the caption on the monitor image.



Show

Enables or disables the caption display. Click **Show** to show the check mark to display the caption. Click it again to remove the check mark to make the caption disappear.

Color

Selects the caption color. When you click **White** to show the check mark, the caption is displayed with white letters on a black background. When you select **Black**, the caption is displayed with black letters on a white background.

Focus Area

Use this function to focus on a portion of the monitor image by masking over the other portion. The focused portion is called “focus area.” By masking the image, the transmitting data size reduces and a higher frame rate is obtained.



Focus area

New Area

To determine a new focus area on the image, click **New Area**. Then left-click on the upper-left corner of the focus area you want set, and left-click again on the lower-right corner of the focus area. A new focus area is now set.

Enable Area

Click **Enable Area** to show the check mark to enable the focus area and mask over the non-focus area.

Disable Area

Click **Disable Area** to show the check mark to remove the masking and resume the normal image.

Masking Level

Selects the masking level from **Level 1** to **Level 5**. A higher masking level gives a larger masking density and higher frame rate.

Note

Some of the focus area functions might not be operative depending on the viewer in use.

Image Quality

Selects the image quality from **Level 0** to **Level 9**. A higher level gives a higher quality image but the frame rate becomes lower.



Note

Image Quality does not appear in the menu when you view the monitor image using the Firewall viewer.

Capture

When you click **Capture**, the monitor image freezes and the “Saving” dialog appears. Type the file name, select the file format, specify the destination to which the file is to be stored, and click **Save**.

This function is the same as when you click the **Capture** icon on the image control section. (See “Capturing the monitor image” on page 10.)

Note

Capture does not appear in the menu when you view the monitor image using the Java Applet viewer.

Controlling the Monitor Image Using the Java Applet Viewer

When you use an OS other than Windows, such as Macintosh, UNIX and Linux, click **Java Applet** on the Login page or the Main Viewer page. The Java Applet viewer starts.

The image control section of the Java Applet viewer is located at the bottom.

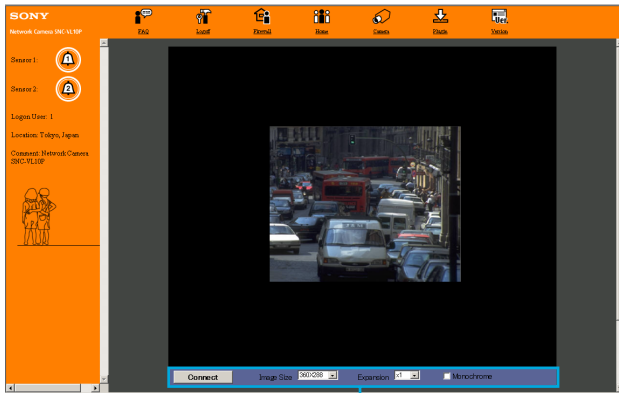


Image control section

Functions of the image control section

Connect/Disconnect

To display the monitor image, click **Connect** and type the user name and password in the dialog. You can control the monitor image with the access right of the user or the Administrator that you type here.

Click **Disconnect** to stop transmitting the image from the camera.

Image Size

Selects the image size.

See “Selecting the image size” on page 9.

Expansion

Selects the image expansion ratio.

See “Expanding the image” on page 9.

Monochrome

Check to display the image in monochrome.

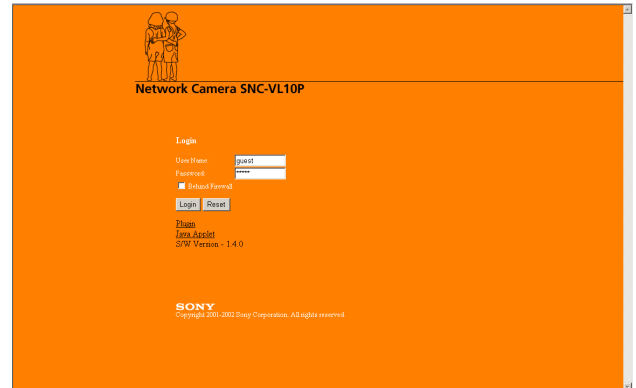
See “Displaying the monitor image in monochrome” on page 10.

Changing the Access Right — Re-login Page

Click **Logout** in the menu control section of the viewer, and the Re-login page is displayed.

Use this page when you want to log in the camera again as a user with a different access right or as Administrator.

To log in, type the user name and password, then click **Login**.



When You Have Trouble — FAQ Page

Click **FAQ** in the menu control section of the viewer, and the FAQ page is displayed.

There are answers to frequently asked questions on the FAQ page. Use this page when you have trouble with the camera.

Administrating the Camera

The Administrating the Camera section explains how to set the functions of the camera by the Administrator. For monitoring the camera image, see “Operating the Camera” on page 6.

Logging in as Administrator

If you log in as Administrator, you can perform all the settings of the software.

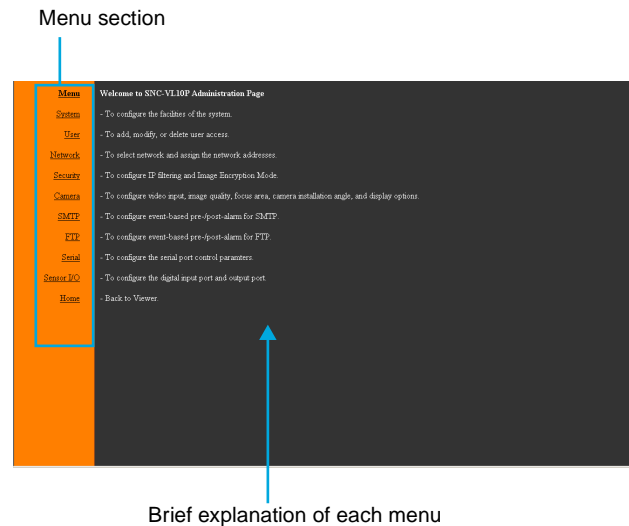
To log in as Administrator, operate as follows:

- 1 Display the Login page or the Re-login page.
- 2 Type the user name and password for Administrator in the User Name and Password boxes. The user name “admin” and the password “admin” are set as default settings for Administrator. We recommend that you change them on the User Setting page.
- 3 Click **Login**. The Menu page appears. See “Configuration of Menu Page” on page 13.

Configuration of Menu Page

When you log in as Administrator, **Welcome to SNC-VL10 Administration Page** (Menu page) is displayed. This section briefly explains the functions of the parts and controls on the Menu page. For a detailed explanation on each part or control, see the specified pages.

Menu page



Menu section

Click on each menu name to display the setting page. As the menu section is displayed on each setting page, you can switch the setting page from any of them.

Menu

Displays the Menu page when you click it on one of the setting pages.

System

Displays the System Setting page.

See “Configuring the System — System Setting Page” on page 14.

User

Displays the User Setting page.

See “Setting the User — User Setting Page” on page 15.

Network

Displays the Network Setting page.

See “Configuring the Network — Network Setting Page” on page 16.

Security

Displays the Security Setting page.
See “Setting the Security — Security Setting Page” on page 19.

Camera

Displays the Camera Setting page.
See “Setting the Camera — Camera Setting Page” on page 20.

SMTP

Displays the SMTP Setting page.
See “Sending Images via E-mail at Alarm — SMTP Setting Page” on page 21.

FTP

Displays the FTP Setting page.
See “Sending Images to FTP Server at Alarm — FTP Setting Page” on page 23.

Serial

Displays the Serial Setting page.
See “Configuring the Serial Port — Serial Setting Page” on page 25.

Sensor I/O

Displays the Sensor I/O Setting page.
See “Configuring the Sensor I/O Port — Sensor I/O Setting Page” on page 25.

Home

Displays the viewer page.
See “Monitoring the Image from the Camera” on page 8.

To return to the Menu page from the viewer page

Click **Logoff** to display the Re-login page and log in as Administrator again.

Buttons common to every setting page

The following buttons are displayed on every setting page.



Apply

Click this button to make the values set on the current setting page valid. When “Applied, OK” window appears, click **OK** to make the set values valid.

Cancel

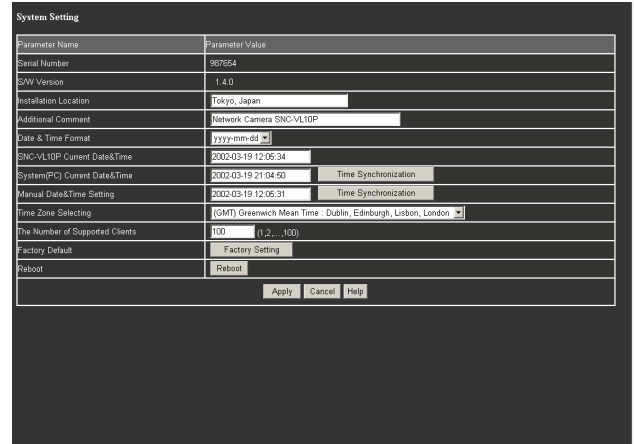
Click this button to make the set values invalid and restore the previous settings.

Help

Click this button to display the help regarding the current setting page.

Configuring the System — System Setting Page

When you click **System** in the menu section, the System Setting page appears.
Use this page to perform the principal settings of this unit.



Parameter Name	Parameter Value
Serial Number	887654
SW Version	1.4.0
Installation Location	Tokyo, Japan
Additional Comment	Network Camera SNC-VL10P
Date & Time Format	yyyy-mm-dd
SNC-VL10P Current Date&Time	2002-03-19 12:06:34
System(PC) Current Date&Time	2002-03-19 21:04:50
Manual Date&Time Setting	2002-03-19 12:06:31
Time Zone Selecting	(GMT) Greenwich Mean Time : Dublin, Edinburgh, Lisbon, London
The Number of Supported Clients	100 (1/2, 100)
Factory Default	Factory Setting
Reboot	Reboot

Serial Number

Displays the serial number of the camera.

SW Version

Displays the camera software version.

Installation Location

Type the installation location of the camera that you want to show on the **Location** area of the viewer page up to 64 characters.

Additional Comment

Type a comment you want to show on the **Comment** area of the viewer page up to 64 characters.

Date & Time Format

Select the format of date and time to be displayed as a caption on the monitor image from the drop-down list. Select **yyyy-mm-dd** (year-month-day), **mm-dd-yyyy** (month-day-year), or **dd-mm-yyyy** (day-month-year).

SNC-VL10 Current Date&Time

Displays the date and time set on the camera.
You can set the date and time using the following three methods.

System(PC) Current Date&Time

Displays the date and time set on your computer.

When you want to synchronize the camera's date and time with the date and time setting of the computer, operate as follows:

Click **Time Synchronization**, and "Applied, OK" window appears. Click **OK** to change the date and time on **SNC-VL10 Current Date&Time** to the date and time setting of the computer.

Manual Date&Time Setting

When you want to set the camera's date and time manually, operate as follows:

Type the date and time you want to set for the camera and click **Time Synchronization**. "Applied, OK" window appears. Click **OK** to change the date and time on **SNC-VL10 Current Date&Time** to the date and time you typed.

Time Zone Selecting

When you want to set the camera's date and time to the time in the area where the camera is installed, select the camera location from the drop-down list.

The Number of Supported Clients

Type the maximum number of clients (1 to 100) that can log in this camera at the same time.

Factory Default

Resets to the factory settings.

Click **Factory Setting**, and "All configuration information will be initialized as factory setting. Are you sure?" appears. Click **OK** to reset to the factory settings.

Note

The following settings cannot be reset with this operation: Date and time on the System Setting page, and IP Address, Subnet Mask, Broadcast Address and Default Gateway on the Network Setting page.

Reboot

Reboots the camera.

Click **Reboot**, and "The SNC-VL10 will be rebooted. Are you sure?" appears. Click **OK** to reboot the camera.

Note

If the setting page cannot be displayed after you have clicked **Reboot**, refresh the Web browser window. The Menu page is displayed.

Apply/Cancel/Help

See "Buttons common to every setting page" on page 14.

Setting the User

— User Setting Page

When you click **User** in the menu section, the User Setting page appears.

Use this page to set the user names and passwords of Administrator and up to five kinds of users (User 1 to User 5), and the access right of each user.

User ID	User Account	Password	Re-Type Password	Access Rights
Administrator	admin	*****	*****	ALL
User 1	guest	*****	*****	None
User 2	user2	*****	*****	None
User 3	user3	*****	*****	None
User 4	user4	*****	*****	None
User 5	user5	*****	*****	None

Auto Login: Disable Enable

Auto Login User: User1

Apply Cancel Help

User Account

Type a user name up to 9 characters.

Password

Type a password up to 9 characters.

Re-Type Password

To confirm the password, type the same characters as those you typed in the Password box.

If you re-type an incorrect character, "Password is different with Re-Typed Password" will appear when you click **Apply** later. In this case, click **OK** to cancel the message and re-type the correct password.

Access Rights

Select the access right for each user from the drop-down list.

None

Allows only monitoring of the camera image on the viewer page, including the operations of the monitor image.

Sensor

Allows monitoring of the camera image and alarm output by clicking **Sensor 1** and **Sensor 2** on the viewer page.

Camera&Sensor

Allows monitoring of the camera image and alarm output by clicking **Sensor 1** and **Sensor 2** on the viewer page, and setting the camera on the Camera Setting page.

The access right for Administrator is fixed to **All**, allowing access to all the functions of the software.

Auto Login

Allows direct logging in the camera without displaying the Login page, affording the access right for the user specified in **Auto Login User** box.

Select **Enable** to enable the Auto Login function; **Disable** to disable it.

Auto Login User

Select the user for the Auto Login function from the drop-down list: **User 1** to **User 5**. When Auto Login is set to **Enable**, the user with the access right specified here can log in the camera.

Apply/Cancel/Help

See “Buttons common to every setting page” on page 14.

Configuring the Network — Network Setting Page

When you click **Network** in the menu section, the Network Setting page appears.

Use this page to configure the network to connect the camera and the computer.

You can configure four types of network: LAN, Cable (Cable Modem), xDSL (Digital Subscriber Line) and PSTN (conventional analog telephone line). The lower part of the menu on the Network Setting page will change automatically according to the selected network type.

Common Items

Parameter Name	Parameter Value
Web Server Port Setting	80
Video Server Port Setting	8080
Select Network Interface	<input checked="" type="radio"/> LAN <input type="radio"/> Cable <input type="radio"/> xDSL <input type="radio"/> PSTN

Web Server Port Setting

Type the TCP port number (1 to 65535) used to access the camera and for the camera to transmit the data. The default setting is 80.

To make the new setting valid, click **Apply** at the bottom of this page, then reboot the camera using the **Reboot** button on the System Setting page.

Video Server Port Setting

Type the TCP port number (1 to 65535) used for the camera to transmit the shot images. The default setting is 8080.

To make the new setting valid, click **Apply** at the bottom of this page, then reboot the camera using the **Reboot** button on the System Setting page.

Note

You cannot set the same port number for both the Web Server Port and the Video Server Port.

Select Network Interface

Select the network interface you use.

By changing the network interface setting, the lower part of the menu on this page will change automatically.

LAN

Select this option when you use LAN (Local Area Network).

See page 17 for LAN setting.

Cable

Select this option when you use a Cable Modem (Cable Internet).

See page 17 for Cable Modem setting.

xDSL

Select this option when you use a Digital Subscriber Line such as ADSL, VDSL and SDSL.
See page 18 for xDSL setting.

PSTN

Select this option when you use a conventional analog telephone line.
See page 18 for PSTN setting.

LAN

This menu is displayed when Select Network Interface is set to **LAN**.

Parameter Name	Parameter Value
DHCP Client Protocol	<input checked="" type="radio"/> Disable <input type="radio"/> Enable
IP Address	192.168.0.100
Subnet Mask	255.255.255.0
Broadcast Address	192.168.0.255 <input type="button" value="Get From Subnet Mask"/>
Default Gateway	192.168.0.1
MAC Address	00:00:00:00:00:00
Select MTU Size	1500 Bytes
DNS1 Server IP Address	0.0.0.0
DNS2 Server IP Address	0.0.0.0
DNS3 Server IP Address	0.0.0.0

DHCP Client Protocol

Select **Enable** when you use the DHCP server; **Disable** when you do not use it.
When you select **Enable**, an IP address is assigned to the camera automatically.

IP Address

Type the IP address of the camera. When you have set up the camera using the supplied setup program, the IP address is automatically displayed here.

Subnet Mask

Type the subnet mask.

Broadcast Address

Type the broadcast address.
When you click **Get From Subnet Mask**, the broadcast address is automatically set according to the **Subnet Mask** value.

Default Gateway

Type the default gateway.

MAC Address

Displays the MAC address of the camera.

Select MTU Size

Select the MTU (Maximum Transmission Unit) from the drop-down list: **1500 Bytes, 1300 Bytes, 1100 Bytes, 900 Bytes, 700 Bytes or 500 Bytes.**

DNS1 Server IP Address

Type the IP address of DNS1 (Domain Name Server 1).

DNS2 Server IP Address

Type the IP address of DNS2 (Domain Name Server 2), if necessary.

DNS3 Server IP Address

Type the IP address of DNS3 (Domain Name Server 3), if necessary.

Apply/Cancel/Help

See “Buttons common to every setting page” on page 14.

Cable Modem

This menu is displayed when Select Network Interface is set to **Cable**.

For setting the items in the LAN menu, see “LAN” on page 17.

Parameter Name	Parameter Value
MAC Address	00:00:00:00:00:00
User ID	
Password	

MAC Address

Displays the MAC address of the camera.

User ID

Type the user ID for Internet connection.

Password

Type the password for Internet connection.

Apply/Cancel/Help

See “Buttons common to every setting page” on page 14.

xDSL Interface

This menu is displayed when Select Network Interface is set to **xDSL**.

For setting the items in the LAN menu, see “LAN” on page 17.

Parameter Name	Parameter Value
Network Type	PPPoE
MAC Address	00:00:00:00:00:00
User ID	<input type="text"/>
Password	<input type="text"/>

Network Type

Displays the protocol being used for the xDSL connection or PPPoE (Point-to-Point Protocol over Ethernet).

MAC Address

Displays the MAC address of the camera.

User ID

Type the user ID for Internet connection.

Password

Type the password for Internet connection.

Apply/Cancel/Help

See “Buttons common to every setting page” on page 14.

PSTN Interface

This menu is displayed when Select Network Interface is set to **PSTN**.

For setting the items in the LAN menu, see “LAN” on page 17.

Parameter Name	Parameter Value																												
MAC Address	00:00:00:00:00:00																												
User ID	<input type="text"/>																												
Password	<input type="text"/>																												
Phone Number	<input type="text"/>																												
Connection Timeout For Idle Traffic	0 secs after event																												
Dial Tone	<input type="radio"/> Tone <input type="radio"/> Pulse																												
Script Enable	<input type="radio"/> Disable <input checked="" type="radio"/> Enable																												
Login Script	<table border="1"><thead><tr><th>Script Name</th><th>Script Content</th></tr></thead><tbody><tr><td>End</td><td><input type="text"/></td></tr><tr><td>End</td><td><input type="text"/></td></tr><tr><td>End</td><td><input type="text"/></td></tr><tr><td>End</td><td><input type="text"/></td></tr><tr><td>End</td><td><input type="text"/></td></tr><tr><td>End</td><td><input type="text"/></td></tr><tr><td>End</td><td><input type="text"/></td></tr><tr><td>End</td><td><input type="text"/></td></tr><tr><td>End</td><td><input type="text"/></td></tr><tr><td>End</td><td><input type="text"/></td></tr><tr><td>End</td><td><input type="text"/></td></tr><tr><td>End</td><td><input type="text"/></td></tr><tr><td>End</td><td><input type="text"/></td></tr></tbody></table>	Script Name	Script Content	End	<input type="text"/>	End	<input type="text"/>	End	<input type="text"/>	End	<input type="text"/>	End	<input type="text"/>	End	<input type="text"/>	End	<input type="text"/>	End	<input type="text"/>	End	<input type="text"/>	End	<input type="text"/>	End	<input type="text"/>	End	<input type="text"/>	End	<input type="text"/>
Script Name	Script Content																												
End	<input type="text"/>																												
End	<input type="text"/>																												
End	<input type="text"/>																												
End	<input type="text"/>																												
End	<input type="text"/>																												
End	<input type="text"/>																												
End	<input type="text"/>																												
End	<input type="text"/>																												
End	<input type="text"/>																												
End	<input type="text"/>																												
End	<input type="text"/>																												
End	<input type="text"/>																												
End	<input type="text"/>																												

MAC Address

Displays the MAC address of the camera.

User ID

Type the user ID for Internet connection.

Password

Type the password for Internet connection.

Phone Number

Type the telephone number of the ISP access point.

Connection Timeout For Idle Traffic

Type the duration (in seconds) so that the telephone line is disconnected automatically if there is no data communication during the specified duration.

Dial Tone

Select the dialing type of the telephone line: **Tone** or **Pulse**.

Script Enable

Sets if a specified script is required for logging in or not. Select **Enable** when you use a script; **Disable** when you do not use it.

Login Script

Select the login script from the drop-down list: **End**, **Wait For**, **Wait For Prompt**, **Send**, **Send CR**, **Send User ID**, **Send Password** or **Delay**, and type a required script in the box on the right.

Apply/Cancel/Help

See “Buttons common to every setting page” on page 14.

Setting the Security

— Security Setting Page

When you click **Security** in the menu section, the Security Setting page appears.
Use this page to limit the computers that can access the camera or encrypt the monitor image.

Parameter Name	Parameter Value
	<input checked="" type="radio"/> Disable <input checked="" type="radio"/> Enable
	Default Policy: Deny
IP/Subnet Filtering Mode	IP/Subnet Client Address 0: 0.0.0.0 0 Allow
	IP/Subnet Client Address 1: 0.0.0.0 0 Allow
	IP/Subnet Client Address 2: 0.0.0.0 0 Allow
	IP/Subnet Client Address 3: 0.0.0.0 0 Allow
	IP/Subnet Client Address 4: 0.0.0.0 0 Allow
	IP/Subnet Client Address 5: 0.0.0.0 0 Allow
	IP/Subnet Client Address 6: 0.0.0.0 0 Allow
	IP/Subnet Client Address 7: 0.0.0.0 0 Allow
	IP/Subnet Client Address 8: 0.0.0.0 0 Allow
	IP/Subnet Client Address 9: 0.0.0.0 0 Allow
Image Encryption Mode	<input checked="" type="radio"/> Disable <input checked="" type="radio"/> Enable
	Encryption PIN Number: <input type="text"/>
Apply Cancel Help	

IP/Subnet Filtering Mode

Limits access to the camera by the IP address and subnet.

Disable/Enable

Select **Enable** when you want to limit the access to the camera, or **Disable** when you do not want to limit the access.

To set a limit, use the following items.

Default Policy

Select the basic policy of the limit from **Allow** and **Deny**.

If you select **Allow**, you will basically allow access to the camera, and only deny access to the camera from the computers having the IP addresses specified on **IP/Subnet Client Address 0 to 9** below. If you select **Deny**, you will basically deny access to the camera, and allow access to the camera from the computers having the IP addressed specified below only.

IP/Subnet Client Address 0 to 9

Type the IP addresses and subnet addresses you want to allow or deny access to the camera. You can specify up to 9 IP addresses and subnet addresses. For a subnet address, type 0 to 31.

To temporarily cancel the Default Policy for an IP address/subnet, select **Allow** or **Deny** from the drop-down list on the right.

Image Encryption Mode

Limits the display of the monitor image by the image encryption.

Disable/Enable

Select **Enable** when you want to encrypt the image, or **Disable** when you do not want to perform the encryption.

Encryption PIN Number

Type a PIN (Personal Identification Number) to allow displaying the monitor image of up to 11 characters. When **Image Encryption Mode** is set to **Enable**, a dialog to request the input of the PIN number appears when a user logs in the camera, returns to the viewer page from the FAQ or Version page or enters the Camera Setting page. The user can view the monitor image by typing the PIN number specified here.

Apply/Cancel/Help

See “Buttons common to every setting page” on page 14.

Setting the Camera

— Camera Setting Page

(The users having the “Camera&Sensor” access right can also access this page.)

When you click **Camera** in the menu section, the Camera Setting page appears.

Use this page to set the functions of the camera.

Parameter Name	Parameter Value
CCD IRIS	<input checked="" type="radio"/> On <input type="radio"/> Off
Flickerless Mode	<input checked="" type="radio"/> On <input type="radio"/> Off
Scheduling Setting	
	<input checked="" type="radio"/> Always <input type="radio"/> Time Schedule
	From: 09:00 To: 18:00
Calibration Parameters	
Brightness	0 (-100, 100)
Contrast	0 (-100, 100)
Hue	0 (-100, 100)
Saturation	0 (-100, 100)
Caption	
	<input checked="" type="radio"/> Black <input type="radio"/> White
	<input checked="" type="checkbox"/> Time Information
	Title Box: _____
Focus Area Control	
	Reload
	2002/07/09 02:16:23 14
Camera Installation Angle	
	Normal

CCD IRIS

Turns on/off the CCD IRIS function which automatically adjusts the luminance level for optimum image output level. If you select **On**, the CCD IRIS function automatically adjusts the shutter speed to cut exposure when incoming light is excessive.

Flickerless Mode

Select **On** to enable the flicker canceller function (flickerless mode) to reduce flicker under fluorescent light. Select **Off** to disable the flickerless mode.

Note

You cannot select **On** for both CCD IRIS and Flickerless Mode simultaneously.

Scheduling Setting

Set the time when the flicker canceller function is activated.

Select **Always** to always activate the flicker canceller function. To restrict the time to activate the flicker canceller function, select **Time Schedule**, and select the start time from the **From** drop-down list, and the end time from the **To** drop-down list.

Note

This item is effective only when **Flickerless Mode** is **On**.

Calibration Parameters

Adjusts the image from the camera. Type the adjustment value in each box. The adjustment range for each item is displayed on the right of the box.

Brightness

Adjust the brightness.

Contrast

Adjust the contrast.

Hue

Adjust the hue.

Saturation

Adjust the saturation.

Caption

Specifies the caption to be displayed on the upper-left of the monitor image.

Black/White

Selects the caption color. When you select **White**, the caption is displayed with white letters on a black background. When you select **Black**, the caption is displayed with black letters on a white background.

Time Information

To display the date and time in the caption, select this check box.

You can specify the format of date and time with **Date & Time Format** on the System Setting page.

Title Box

To display a title in the caption, select this check box and type your desired title in the text box on the right. You can enter up to 128 characters, but some of the entered characters may not be displayed, depending on the image size.

Note

The title is not displayed in the caption when the Firewall Viewer is used.

Focus Area Control/New Area Parameter/Masking Level/Image Quality Level

If you right-click on the monitor image displayed here, a menu appears to allow access to various settings. The menu items are the same as those in the menu displayed when you right-click on the monitor image in the viewer. (See “Controlling the Monitor Image Using the Menu” on page 10.)

Reload

If the monitor image is not displayed in the correct position, click this button. The monitor image is reloaded and the display position is corrected.

Caption

Show: Enables or disables the caption display. Click to show the check mark to display the caption. Click it again to remove the check mark to make the caption disappear.

Color: Selects the caption color. Click to show the check mark on **White** to display the caption with white letters on a black background. Click to show the check mark on **Black** to display the caption with black letters on a white background.

Focus Area

Use this function when you want to focus on a portion of the monitor image by masking over the other portion. The focused portion is called “focus area.” With masking, the transmitting data size reduces and a higher frame rate is obtained.

New Area: Click to show the check mark to determine a new focus area on the image. Then left-click on the upper-left corner of the focus area you want set, and left-click again on the lower-right corner of the focus area. A new focus area is now set.

Enable Area: Click to show the check mark to enable the predetermined focus area and mask over the non-focus area.

Disable Area: Click to show the check mark to remove the masking and resume the normal image.

Masking Level: Select the masking level from **Level 1** to **Level 5**. A higher masking level gives a larger masking density and higher frame rate.

Image Quality

Selects the image quality from **Level 0** to **Level 9**. A higher level gives a higher quality image but the frame rate becomes lower.

Capture

When you click **Capture**, the monitor image freezes and the “Saving” dialog appears. Type the file name, select the file format, specify the destination to which the file is to be stored, and click **Save**.

This function is the same as when you click the **Capture** icon on the image control section. (See “Capturing the monitor image” on page 10.)

Camera Installation Angle

Rotates the monitor image according to the camera angle. Select **Normal**, **90 deg**, **180 deg**, or **270 deg** from the drop-down list.

Note

The monitor image output from the VIDEO OUT connector (composite output) cannot be rotated.

Apply/Cancel/Help

See “Buttons common to every setting page” on page 14.

Sending Images via E-mail at Alarm

— SMTP Setting Page

When you click **SMTP** in the menu section, the SMTP Setting page appears.

Use this page to set up for sending monitor images attached to an E-mail.

Parameter Name	Parameter Value
Recipient Email Address	
Sender Email Address	
Options	<input checked="" type="checkbox"/> Use Relay-Email-Server
	Content-Encoding-Type: Base64
	<input checked="" type="checkbox"/> Activity Detection(AD) Pre-Alarm Time: 0 sec Pre-Alarm Frame Rate: 1 f/s Post-Alarm Time: 0 sec Post-Alarm Frame Rate: 1 f/s
	<input checked="" type="checkbox"/> Sensor Input(SI) Pre-Alarm Time: 0 sec Pre-Alarm Frame Rate: 1 f/s Post-Alarm Time: 0 sec Post-Alarm Frame Rate: 1 f/s
	<input checked="" type="checkbox"/> Periodic Sending Interval: 0 H(0-168) 5 M(0-55, Unit 5 Minutes)
Image Size	360x288
	<input checked="" type="checkbox"/> Date & Time Suffix: 4Y2MD2h2m2s-3ms <input checked="" type="checkbox"/> Alarm Sensor: AD/SIPS <input checked="" type="checkbox"/> SFO suffix: 000-999 <input checked="" type="checkbox"/> Manual Assigned Name: (Max:36Byte) Suffix: eye The example of a display: eye
Subject Message Box	(Max:64Byte)
Body Message Box	(Max:256Byte)
	Apply Cancel Help

Recipient Email Address

Type a recipient E-mail address in each box. You can set two E-mail addresses.

Sender Email Address

Type the sender (this unit) E-mail address in the box.

Options

Use Relay-Email-Server

When you want to send E-mails passing through a specified server, select this check box and type the server name in the box.

Content-Encoding-Type

Displays **Base64**, the format with which the image data attached to E-mails are encoded.

Email Event

Set the trigger with which you send E-mails. You can select one or more trigger(s) from among Activity Detection (AD), Sensor Input (SI) and Periodic Sending (PS).

Activity Detection (AD)

Select this check box to send an E-mail when an alarm triggered by the activity detection is output. You can set the time and the frame rate to save images to be attached to the E-mail in the boxes below.

Setting example: To save images during the period of time between 2 seconds before and 2 seconds after the alarm, with a frame rate of 3 fps.

Pre-Alarm Time: Select from the drop-down list the time in seconds you want to save images before an alarm output. (0 to 5 seconds can be set.)

Pre-Alarm Frame Rate: Select from the drop-down list the frame rate with which you want to save images before an alarm output. (1 to 5 fps can be set.)

Post-Alarm Time: Select from the drop-down list the time in seconds you want to save images after an alarm output. (0 to 5 seconds can be set.)

Post-Alarm Frame Rate: Select from the drop-down list the frame rate with which you want to save images after an alarm output. (1 to 5 fps can be set.)

Sensor Input (SI)

Select this check box to send an E-mail when an alarm triggered by the sensor input is output. You can set the time and the frame rate to save images to be attached to the E-mail in the boxes below.

Pre-Alarm Time: Select from the drop-down list the time in seconds you want to save images before an alarm output. (0 to 5 seconds can be set.)

Pre-Alarm Frame Rate: Select from the drop-down list the frame rate with which you want to save images before an alarm output. (1 to 5 fps can be set.)

Post-Alarm Time: Select from the drop-down list the time in seconds you want to save images after an alarm output. (0 to 5 seconds can be set.)

Post-Alarm Frame Rate: Select from the drop-down list the frame rate with which you want to save images after an alarm output. (1 to 5 fps can be set.)

Periodic Sending (PS)

Select this check box to send E-mails with images attached periodically regardless of alarm output.

Setting example: To send an E-mail with images attached every hour

Interval: Type the interval at which you want to send E-mails in the boxes. You can set the hour (H) between 0 and 168, and the minutes (M) between 0 and 55 in units of 5 minutes.

Image Size

Displays the size of the image to be attached to an E-mail. It is fixed to **360 × 243** for the SNC-VL10N, or **360 × 288** for the SNC-VL10P.

Naming Method

Set the form of naming the image file to be attached to an E-mail. Select the check box(es) you want to add to the file name.

Date & Time Suffix

Adds the date and time to the file name.

Alarm Sensor

Adds the alarm mode to the file name.

AD: if the image is sent at the time of an alarm triggered by the activity detection.

SI: if the image is sent at the time of an alarm triggered by the sensor input.

PS: if the image is sent by Periodic Sending.

SEQ suffix

Adds consecutive numbers, 000 to 999, to the file name. The number is reset to 000 when you click **Apply** on the SMTP Setting page.

Manual Assigned Name

Type the file name up to 36 characters.

Suffix

Displays an extension “.eye.” The image is always sent in the Wavelet compressed format and “.eye” is added to its file name.

The example of a display

An example of the form you have set is displayed when you click **Apply**.

Subject Message Box

Type the title of the E-mail up to 64 characters.

Body Message Box

Type the text of the E-mail up to 255 characters.

Apply/Cancel/Help

See “Buttons common to every setting page” on page 14.

Note

When the images are sent by the E-mail function, the Frame Rate may not reach the set value depending on the network conditions and alarm frequency.

Sending Images to FTP Server at Alarm

— FTP Setting Page

When you click **FTP** in the menu section, the FTP Setting page appears.
Use this page to set up for sending monitor images to an FTP (File Transfer Protocol) server. You can specify two FTP servers.

Parameter Name	Parameter Value
FTP Server 1	Address User ID User Password Pathname
FTP Server 2	Address User ID User Password Pathname
FTP Event	<input type="checkbox"/> Activity Detection(AD) Pre-Alarm Time: 0 sec Pre-Alarm Frame Rate: 1 fps Post-Alarm Time: 0 sec Post-Alarm Frame Rate: 1 fps <input type="checkbox"/> Sensor Input(SI) Pre-Alarm Time: 0 sec Pre-Alarm Frame Rate: 1 fps Post-Alarm Time: 0 sec Post-Alarm Frame Rate: 1 fps <input type="checkbox"/> Periodic Sending Interval: 0 H(0-168) 0 M(0-59) 30 S(0-59, Unit 5 Second)
Image Size	360 x 288 Date & Time: 4Y2M2D2h2m2s-3ms Alarm Sensor: AD/SEFS SEQ suffix: 000-999 Manual Assigned Name: (Max:36Byte) Suffix: eye The example of a display: eye
Naming Method	

FTP Server 1

Set the information of FTP server 1 in the boxes.

Address

Type the host address of FTP server 1.

User ID

Type the user ID for FTP server 1.

User Password

Type the user password for FTP server 1.

Pathname

Type the default path for FTP server 1.

FTP Server 2

Set the information of FTP server 2 in the boxes.

Address

Type the host address of FTP server 2.

User ID

Type the user ID for FTP server 2.

User Password

Type the user password for FTP server 2.

Pathname

Type the default path for FTP server 2.

FTP Event

Set the trigger with which you send images to the FTP server(s). You can select one or more trigger(s) from among Activity Detection (AD), Sensor Input (SI) and Periodic Sending (PS).

Activity Detection (AD)

Select this check box to send images to the FTP server(s) when an alarm triggered by the activity detection is output. You can set the time and the frame rate to save images to be sent to the FTP server(s) in the boxes below.

Setting example: To save images during the period of time between 2 seconds before and 2 seconds after the alarm, with a frame rate of 3 fps.

Pre-Alarm Time: Select from the drop-down list the time in seconds you want to save images before an alarm output. (0 to 5 seconds can be set.)

Pre-Alarm Frame Rate: Select from the drop-down list the frame rate with which you want to save images before an alarm output. (1 to 5 fps can be set.)

Post-Alarm Time: Select from the drop-down list the time in seconds you want to save images after an alarm output. (0 to 5 seconds can be set.)

Post-Alarm Frame Rate: Select from the drop-down list the frame rate with which you want to save images after an alarm output. (1 to 5 fps can be set.)

Sensor Input (SI)

Select this check box to send images to the FTP server(s) when an alarm triggered by the sensor input is output. You can set the time and the frame rate for saving images in the boxes below.

Pre-Alarm Time: Select from the drop-down list the time in seconds you want to save images before an alarm output. (0 to 5 seconds can be set.)

Pre-Alarm Frame Rate: Select from the drop-down list the frame rate with which you want to save images before an alarm output. (1 to 5 fps can be set.)

Post-Alarm Time: Select from the drop-down list the time in seconds you want to save images after an alarm output. (0 to 5 seconds can be set.)

Post-Alarm Frame Rate: Select from the drop-down list the frame rate with which you want to save images after an alarm output. (1 to 5 fps can be set.)

Periodic Sending (PS)

Select this check box to send images to the FTP server(s) periodically regardless of alarm output.

Setting example: To send images to the FTP server(s) every hour

Interval: Type the interval at which you want to send images to the FTP server(s) in the boxes. You can set the hour (H) between 0 and 168, the minutes (M) between 0 and 59, and the seconds between 0 and 55 in units of 5 seconds.

Image Size

Displays the size of the image to be sent to the FTP server(s). It is fixed to **360 × 243** for the SNC-VL10N, or **360 × 288** for the SNC-VL10P.

Naming Method

Set the form of naming the image file to be sent to the FTP server(s). Select the check box(es) you want to add to the file name.

Date & Time Suffix

Adds the date and time to the file name.

Alarm Sensor

Adds the alarm mode to the file name.

AD: if the image is sent at the time of an alarm triggered by the activity detection.

SI: if the image is sent at the time of an alarm triggered by the sensor input.

PS: if the image is sent by Periodic Sending.

SEQ suffix

Adds consecutive numbers, 000 to 999, to the file name. The number is reset to 000 when you click **Apply** on the FTP Setting page.

Manual Assigned Name

Type the file name up to 36 characters.

Suffix

Displays an extension “.eye.” The image is always sent in the Wavelet compressed format and “.eye” is added to its file name.

The example of a display

An example of the form you have set is displayed when you click **Apply**.

Apply/Cancel/Help

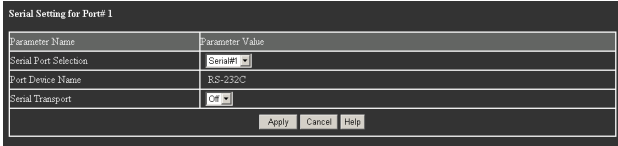
See “Buttons common to every setting page” on page 14.

Note

When the images are sent to the FTP server, the Frame Rate may not reach the set value depending on the network conditions and alarm frequency.

Configuring the Serial Port — Serial Setting Page

When you click **Serial** in the menu section, the Serial Setting page appears.
Use this page to configure the RS485/232C serial port on the rear panel of the camera.



Serial Port Selection

Select the protocol for the serial port from the drop-down list. The selected protocol is automatically displayed in **Port Device Name**.

Serial#1

Select this option when using RS-232C protocol.

Serial#2

Select this option when using RS-485 protocol.

Port Device Name

Displays the setting of **Serial Port Selection**.

Serial Transport

Select from the drop-down list, **On** to enable the RS485/232C port, or **Off** to disable it.

Apply/Cancel/Help

See “Buttons common to every setting page” on page 14.

Configuring the Sensor I/O Port

— Sensor I/O Setting Page

When you click **Sensor I/O** in the menu section, the Sensor I/O Setting page appears.
Use this page to configure the Sensor I/O port on the rear panel of the camera.

Upper Half of Sensor I/O Setting Page



Activity Detection (AD)

Set up the activity detection that detects movement in the image shot by the camera.

Available Alarm Events

Select **Enable** if you want to output an alarm when movement is detected, or **Disable** if you do not want to output an alarm.

Scheduling

Using the boxes below, you can set up to 6 schedules on which the activity detection works.

Select **Enable** to enable all the schedules whose check boxes you have selected, or **Disable** to disable them.

Scheduling 1 to Scheduling 6

For each schedule, type the time in hours and minutes when the activity detection starts and ends, and select the check box(es) of the working days of the week. To enable each schedule you have set, select the check box on the left of **Scheduling**. You can select multiple schedules.

Note

A schedule across days (ex. 22:00 - 2:00) cannot be set.

Activity Detection Threshold

Select the sensitivity of activity detection: **Low**, **Mid**, **High**, **Super** or **Hyper**.

The highest sensitivity is given by **Hyper**, which can detect the smallest movement.

Showing Pop-up

You can set for displaying “AD” (Activity Detection) pop-up on the lower-right of the monitor image when an alarm output is detected.

Select **On** to show a pop-up, or **Off** not to show it.

Notes

- To show the pop-up on the Firewall Viewer, check on **Show** in the Caption menu when you are using the Firewall Viewer. (See “Caption” on page 10.)
- The pop-up is not displayed when the Java Applet Viewer is used.

Output 1

Set up Output 1 of the Sensor I/O port.

Output 1 can output an alarm triggered by the activity detection or manually.

Output Status Control

Select **Active** to keep Output 1 of the Sensor I/O port usually open and short-circuit it only when an alarm is output. Select **De-Active** to keep Output 1 usually short-circuited and open it only when an alarm is output.

Alarm Event-Based Output Activation Function

Select **AD** to synchronize the output from Output 1 of the Sensor I/O port with an alarm by the activity detection, or **Manual** to output manually by clicking the Sensor 1 button on the viewer page.

Output Active Duration Time

Type the duration of the output from Output 1 between 1 and 60 seconds.

Lower Half of Sensor I/O Setting Page

Available Alarm Events: Disable Enable
Scheduling: Disable Enable
Scheduling 1: Mon Tue Wed Thu Fri Sat Sun
Scheduling 2: Mon Tue Wed Thu Fri Sat Sun
Scheduling 3: Mon Tue Wed Thu Fri Sat Sun
Scheduling 4: Mon Tue Wed Thu Fri Sat Sun
Scheduling 5: Mon Tue Wed Thu Fri Sat Sun
Scheduling 6: Mon Tue Wed Thu Fri Sat Sun
Sensor Input (SI): Mon Tue Wed Thu Fri Sat Sun
Sensor-Type Selection for Input: Low High
Input Current Status: Active De-Active
Inter-alarm Event Detection Time: 5 sec(5, 60)
Showing Pop-up: On Off
Output 2: Active De-Active
Alarm Event-Based Output Activation Function: SI Manual
Output Active Duration Time: 60 sec(1, 60)
Buttons: Apply, Cancel, Help

Sensor Input (SI)

Set up the sensor input, that is, the input to the Sensor I/O port on the rear panel of the camera.

Available Alarm Events

Select **Enable** if you want to output an alarm when the input to the Sensor I/O port is detected, or **Disable** if you do not want to output an alarm.

Scheduling

Using the boxes below, you can set up to 6 schedules on which the sensor input works.

Select **Enable** to enable all the schedules whose check boxes you have selected, or **Disable** to disable them.

Scheduling 1 to Scheduling 6

For each schedule, type the time in hours and minutes when the sensor input starts and ends, and select the check box(es) of the working days of the week.

To enable each schedule you have set, select the check box on the left of **Scheduling**. You can select multiple schedules.

Note

A schedule across days (ex. 22:00 - 2:00) cannot be set.

Sensor-Type Selection for Input

Select the level of the input which can be used to trigger an alarm: **Low** or **High**.

Input Current Status

Displays the current status of the device connected to the input of the Sensor I/O port.

Inter-alarm Event Detection Time

Type the duration, between 5 and 60 seconds, during which the camera can detect the next alarm input.

Showing Pop-up

You can set for displaying “SI” (Sensor Input) pop-up on the lower-right of the monitor image when an alarm output is detected.

Select **On** to show a pop-up, or **Off** not to show it.

Notes

- To show the pop-up on the Firewall Viewer, check on **Show** in the Caption menu when you are using the Firewall Viewer. (See “Caption” on page 10.)
- The pop-up is not displayed when the Java Applet Viewer is used.

Output 2

Set up Output 2 of the Sensor I/O port.

Output 2 can output an alarm triggered by the sensor input or manually.

Output Status Control

Select **Active** to keep Output 2 of the Sensor I/O port usually open and short-circuit it only when an alarm is output. Select **De-Active** to keep Output 2 usually short-circuited and open it only when an alarm is output.

Alarm Event-Based Output Activation Function

Select **SI** to synchronize the output from Output 2 of the Sensor I/O port with an alarm by the sensor input, or **Manual** to output manually by clicking the Sensor 2 button on the viewer page.

Output Active Duration Time

Type the duration of the output from Output 2 between 1 and 60 seconds.

Apply/Cancel/Help

See “Buttons common to every setting page” on page 14.

Assigning the IP Address to the Camera Using ARP Commands

This section explains how to assign an IP address to the camera using ARP (Address Resolution Protocol) commands without using the supplied setup program.

For the use of the setup program, see “Assigning the IP Address to the Camera” in the supplied Installation Manual.

Assigning the IP Address

Open a DOS window and enter the IP address and the MAC address of the camera you want to assign a new IP address to, using the following commands.

```
Arp -s <SNC-VL10P IP address> <SNC-VL10P MAC address>  
Ping -t <SNC-VL10P IP address>
```

Example:

```
Arp -s 192.168.0.100 00-00-00-00-00-00  
Ping -t 192.168.0.100
```

Note

For the details of the use of the ARP commands, refer to the ARP command help. To display the help, type “arp -h.”

To enable the DHCP server

If you want to enable the DHCP server when you have assigned the IP address using ARP commands, proceed as follows:

- 1 Access the camera from the browser, then set the DHCP Client Protocol menu to **Enable** on the Network Setting page (see page 17).
- 2 Clear the ARP cache by using the Arp- d command or restarting the computer.

Confirming the Setup

If the IP address is successfully assigned, a message similar to the following will appear on the screen.

```
Request timed out  
:  
Request timed out  
Reply from 192.168.0.100: bytes=32 time=2ms TTL=255  
Reply from 192.168.0.100: bytes=32 time=2ms TTL=255  
  
Ping statistics for 192.168.0.100:  
Packets: Sent = 4, Received = 4, Lost = 0 (0% loss),  
Approximate round trip times in milliseconds:  
Minimum = 1ms, Maximum = 2ms, Average = 1ms
```

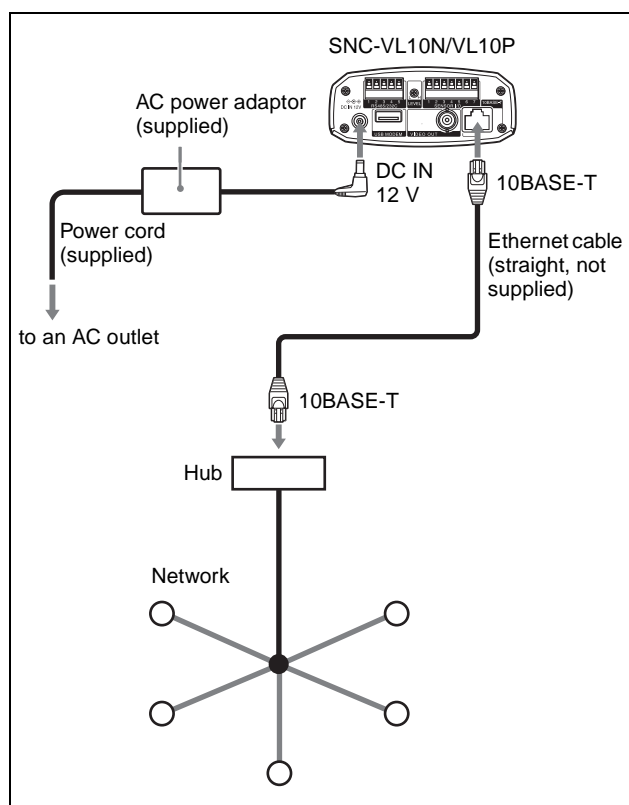
Connecting the Camera to a Network

This section explains how to connect the camera to a network using various interfaces.

Connecting to a Local Network (LAN)

- 1 Select **Ethernet** in the setup program or select **LAN** on Select Network Interface on the Network Setting page for the Administrator, and set the items for the LAN connection.
For details on the settings, see “LAN” on page 17.
For the use of the setup program, see “Assigning the IP Address Using the Setup Program” in the supplied Installation Manual.

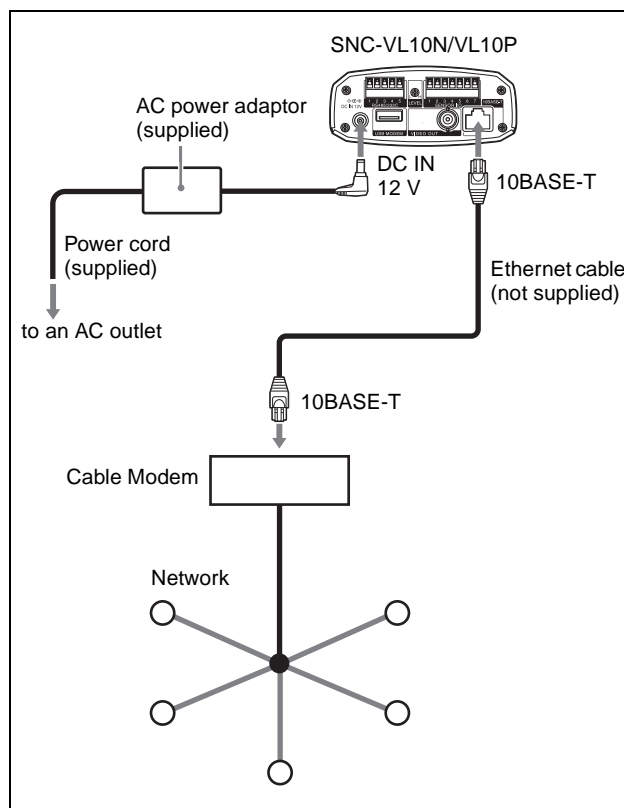
- 2 Connect the camera to the network as follows:



Connection Using a Cable Modem

- 1 Select **Cable Modem** in the setup program or select **Cable** on Select Network Interface on the Network Setting page for the Administrator, and set the items for the cable modem connection.
For details on the settings, see “Cable Modem” on page 17.
For the use of the setup program, see “Assigning the IP Address Using the Setup Program” in the supplied Installation Manual.

- 2 Connect the camera to the network as follows:



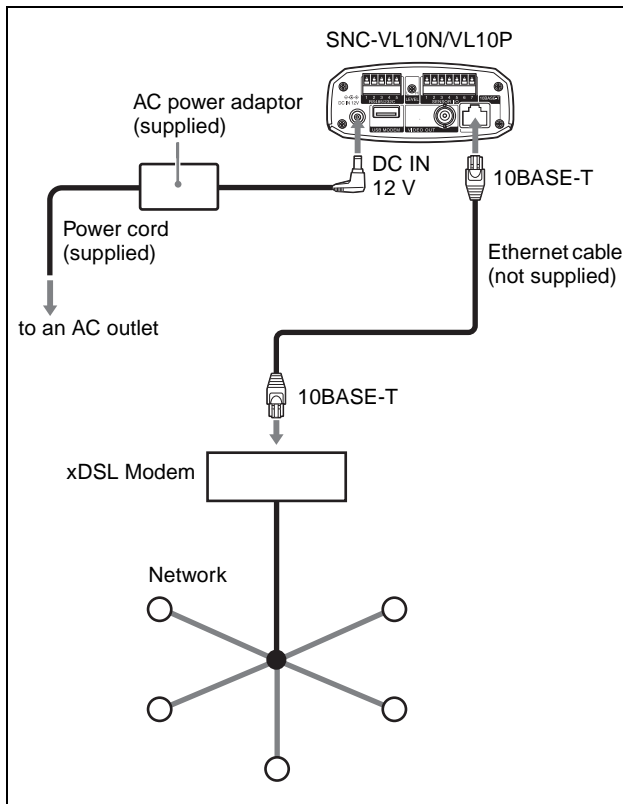
Notes

- For details on the cable modem connection, refer to the operation manual of the modem.
- For required connection settings, check with your ISP.

Connection Using an xDSL Modem

- 1 Select **xDSL (PPPoE)** in the setup program or select **xDSL** on Select Network Interface on the Network Setting page for the Administrator, and set the items for the xDSL modem connection. For details on the settings, see “xDSL Interface” on page 18. For the use of the setup program, see “Assigning the IP Address Using the Setup Program” in the supplied Installation Manual.

- 2 Connect the camera to the network as follows:



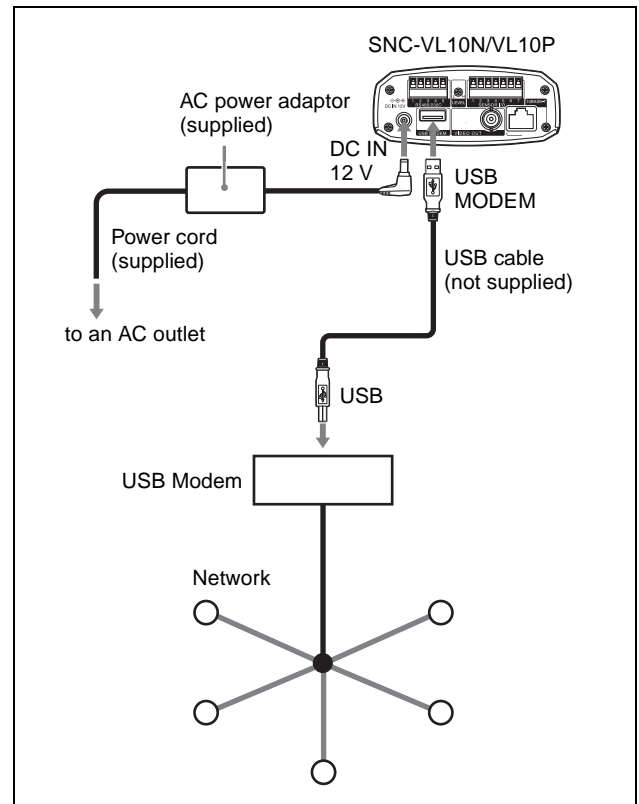
Notes

- For details on the xDSL modem connection, refer to the operation manual of the modem.
- For required connection settings, check with your ISP.

Connection Using a USB Modem

- 1 Select **PSTN** in the setup program or select **PSTN** on Select Network Interface on the Network Setting page for the Administrator, and set the items for the USB modem connection. For details on the settings, see “PSTN Interface” on page 18. For the use of the setup program, see “Assigning the IP Address Using the Setup Program” in the supplied Installation Manual.

- 2 Connect the camera to the network as follows:



Notes

- For details on the USB modem connection, refer to the operation manual of the modem.
- For required connection settings, check with your ISP.

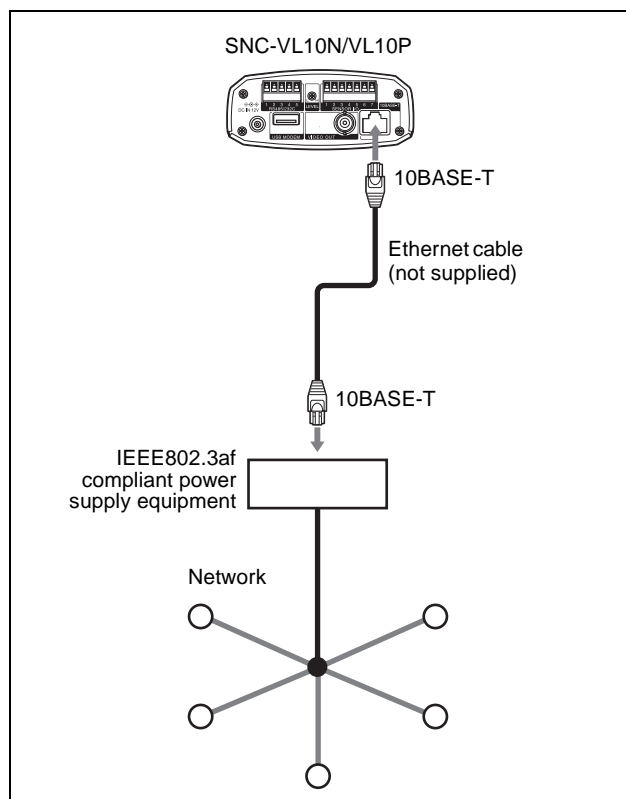
Connection Using IEEE802.3af Compliant Power Supply Equipment

This camera conforms to the IEEE802.3af standards to supply the power via the Ethernet cable. To supply the power to the camera, connect it to a network using the IEEE802.3af compliant power supply equipment.

- 1 Select **Ethernet** in the setup program or select **LAN** on Select Network Interface on the Network Setting page for the Administrator, and set the items for the LAN connection.

For details on the settings, see “LAN” on page 17.
For the use of the setup program, see “Assigning the IP Address Using the Setup Program” in the supplied Installation Manual.

- 2 Connect the camera to the network as follows:



Note

For details on the IEEE802.3af compliant power supply equipment connection, refer to the operation manual of the equipment.

Free Manuals Download Website

<http://myh66.com>

<http://usermanuals.us>

<http://www.somanuals.com>

<http://www.4manuals.cc>

<http://www.manual-lib.com>

<http://www.404manual.com>

<http://www.luxmanual.com>

<http://aubethermostatmanual.com>

Golf course search by state

<http://golfingnear.com>

Email search by domain

<http://emailbydomain.com>

Auto manuals search

<http://auto.somanuals.com>

TV manuals search

<http://tv.somanuals.com>