

SNC-DH210 / DH210T

Compact and Affordable Full HD Security Camera. Vandal-Resistant HD Security Camera. Excellent 1080p HD picture quality, supporting H.264 at 15 fps. 3 Megapixel (2048 x 1536) maximum resolution. Three codecs (H.264, MPEG-4, JPEG) and a dual streaming capability. The "Exmor" CMOS sensor incorporated to realize high image quality and low noise.



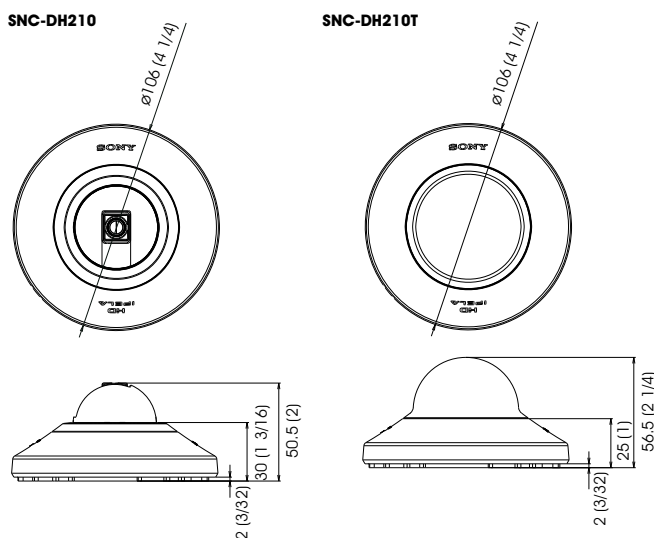
Key Features and Benefits

- Innovative Design.** Compact, slim and two body colours (Silver and Black); suitable for many applications where the bulky camera would be avoided
- "Stream Squared" function.** Allows simultaneous streaming of two 4:3 aspect ratio videos in user selectable SD resolutions. You can select the entire image or a portion of the image from the original field of view and resize to SD resolution or lower for each stream
- Day/night function.** Ideal for mechanical switching to monochrome in night conditions

Standard Features and Benefits

- Intelligent Motion Detection** that supports DEPA
- Analogue monitor output (AV mini jack)
- Powered by PoE (Power over Ethernet)** for simple installation
- Recording software (RealShot Manager Lite)** is bundled to start recording and monitoring instantly
- ONVIF (Open Network Video Interface Forum)** Version 1.01 conformance that ensures greater interoperability and more flexibility in building multiple-vendor systems

Dimensions



Specifications

Camera	SNC-DH210	SNC-DH210T
Image device	1/2.8 type progressive scan "Exmor" CMOS sensor	
Minimum illumination	2.0 lx / AGC(38db) / 50IRE(IP)	2.3 lx / AGC(38db) / 50IRE(IP)
Number of effective pixels (HxV)	3Megapixel (2096 x 1561)	
Electronic shutter	1s to 1/10000 s	
Auto gain control (AGC)	Auto	
Exposure control	Auto, EV Compensation, Auto Slow Shutter	
White balance modes	Auto (ATW, ATW-PRO), Preset, One-push WB, Manual	
Lens type	Fixed	
Horizontal viewing angle	88 degrees	86 degrees
Focal length	f=3.3	
F-number	F2.8	
Minimum objects distance	500 mm	
Pan angle	Approx. 340°	
Tilt angle	0° to 60°	
Camera Features		
Day/Night	Yes (electrical D/N)	
Noise reduction	Yes	
Image		
Codec image size (H x V)	2048 x 1536 (Jpeg Only), 1920x1080, 1600x1200, 1680x1056, 1440x912, 1280x1024, 1280x960, 1376x768, 1280x800, 1280x720, 1024x768, 1024x576, 768x576, 720x576, 704x576, 800x480, 720x480, 640x480, 640x368, 384x288, 352x288, 320x240, 320x192, 176x144	
Video compression format	H.264, MPEG-4, JPEG	
Codec streaming capability	Dual streaming	
Maximum frame rate	JPEG: 12fps (2048x1536) / 15fps (1920x1080) / 30fps (1280x720) MPEG-4 / H.264: 15fps (1920x1080) / 30fps (1280x720)	
Scene Analytics		
Intelligent motion detection	Yes	
Network		
Protocols	IPv4, IPv6, TCP, UDP, ARP, ICMP, IGMP, HTTP, HTTPS, FTP (client), SMTP, DHCP, DNS, NTP, RTP/RTCP, RTSP, SNMP (MIB-2)	
ONVIF conformance	Yes (Version 1.01)	
Number of clients	5	
Authentication	IEEE802.1X	
Interface		
Ethernet	10BASE-T / 100BASE-TX (RJ-45)	
Analogue monitor output	AV Mini Jack	
Sensor input	x 1	
Analogue video output		
Signal system	NTSC / PAL	
General		
Weight	160 g (5.6 oz)	170 g (6 oz)
Dimensions (ø x H)	ø 106 x 50.5 mm (ø 4 1/4 x 2 inches)	ø 106 x 56.5 mm (ø 4 1/4 x 2 1/4 inches)
Power requirements	PoE	
Power consumption	2.4W	
Operating temperature	0 °C to 50 °C (32°F to 122°F)	
Storage temperature	-20 °C to +60 °C (-4°F to +140°F)	
Vandal resistant	-	IK10
System Requirements		
Operating system	WindowsXP, WindowsVista (32bit), Windows7(32bit)	
Processor	Intel Core2 Duo 2 GHz or higher	
Memory	1 GB or more	
Web browser	Microsoft Internet Explorer Ver.6.0, 7.0, or 8.0 Firefox Ver.3.5 (Plug-in free viewer only) Safari Ver.4.0 (Plug-in free viewer only) Google Chrome Ver.4.0 (Plug-in free viewer only)	
Supplied Accessories		
	CD-ROM (User's Guide, SNC Toolbox, RSM-Lite), Installation manual, B&P Warranty Booklet, Sensor input cable, Template	

* The SNC-DH210 and SNC-DH210T include software developed by the OpenSSL Project for use in the OpenSSL Toolkit (www.openssl.org/).



Free Manuals Download Website

<http://myh66.com>

<http://usermanuals.us>

<http://www.somanuals.com>

<http://www.4manuals.cc>

<http://www.manual-lib.com>

<http://www.404manual.com>

<http://www.luxmanual.com>

<http://aubethermostatmanual.com>

Golf course search by state

<http://golfingnear.com>

Email search by domain

<http://emailbydomain.com>

Auto manuals search

<http://auto.somanuals.com>

TV manuals search

<http://tv.somanuals.com>