

# Personal Audio System

GB Operating Instructions



©2013 Sony Corporation Printed in China

CMT-V10iPN

http://www.sony.net/



### Owner's Record

The model and serial numbers are located on the bottom exterior of the main unit. Record these numbers in the space provided below. Refer to them whenever you call upon your Sony dealer regarding this product.

Model No. \_\_\_\_\_  
Serial No. \_\_\_\_\_

## WARNING

**To reduce the risk of fire or electric shock, do not expose this apparatus to rain or moisture.**

To reduce the risk of fire or electric shock, do not expose this apparatus to dripping or splashing, and do not place objects filled with liquids, such as vases, on the apparatus.

To reduce the risk of fire, do not cover the ventilation opening of the apparatus with newspapers, tablecloths, curtains, etc.

Do not place the naked flame sources such as lighted candles on the apparatus.  
Do not install the appliance in a confined space, such as a bookcase or built-in cabinet.

As the main plug of AC adaptor is used to disconnect the AC adaptor from the mains, connect it to an easily accessible AC outlet. Should you notice an abnormality in it, disconnect it from the AC outlet immediately.

Do not expose batteries or apparatus with battery-installed to excessive heat such as sunshine, fire or the like.

The AC adaptor is not disconnected from the mains as long as it is connected to the AC outlet, even if the main unit itself has been turned off.

The nameplate is located on the bottom exterior of the main unit and on the surface of the AC adaptor.

### CAUTION

The use of optical instruments with this product will increase eye hazard.

### Notice for the customers in the Canada

This Class B digital apparatus complies with Canadian ICES-003.

### Notice for the customers in the U.S.A.

The dating code is located on the bottom exterior of the main unit.

### Important Safety Instructions

- 1) Read these instructions.
- 2) Keep these instructions.
- 3) Heed all warnings.
- 4) Follow all instructions.
- 5) Do not use this apparatus near water.
- 6) Clean only with dry cloth.
- 7) Do not block any ventilation openings. Install in accordance with the manufacturer's instructions.
- 8) Do not install near any heat sources such as radiators, heat registers, stoves, or other apparatus (including amplifiers) that produce heat.
- 9) Do not defeat the safety purpose of the polarized or grounding-type plug. A polarized plug has two blades with one wider than the other. A grounding type plug has two blades and a third grounding prong. The wide blade or the third prong are provided for your safety. If the provided plug does not fit into your outlet, consult an electrician for replacement of the obsolete outlet.
- 10) Protect the power cord from being walked on or pinched particularly at plugs, convenience receptacles, and the point where they exit from the apparatus.
- 11) Only use attachments/accessories specified by the manufacturer.
- 12) Use only with the cart, stand, tripod, bracket, or table specified by the manufacturer, or sold with the apparatus.



- When a cart is used, use caution when moving the cart/apparatus combination to avoid injury from tip-over.
- 13) Unplug this apparatus during lightning storms or when unused for long periods of time.
  - 14) Refer all servicing to qualified service personnel. Servicing is required when the apparatus has been damaged in any way, such as power-supply cord or plug is damaged, liquid has been spilled or objects have fallen into the apparatus, the apparatus has been exposed to rain or moisture, does not operate normally, or has been dropped.

**The following FCC statement applies only to the version of this model manufactured for sale in the U.S.A. Other versions may not comply with FCC technical regulations.**

### NOTE:

This equipment has been tested and found to comply with the limits for a Class B digital device, pursuant to Part 15 of the FCC Rules. These limits are designed to provide reasonable protection against harmful interference in a residential installation. This equipment generates, uses and can radiate radio frequency energy and, if not installed and used in accordance with the instructions, may cause harmful interference to radio communications. However, there is no guarantee that interference will not occur in a particular installation. If this equipment does cause harmful interference to radio or television reception, which can be determined by turning the equipment off and on, the user is encouraged to try to correct the interference by one or more of the following measures:

- Reorient or relocate the receiving antenna.
- Increase the separation between the equipment and receiver.
- Connect the equipment into an outlet on a circuit different from that to which the receiver is connected.
- Consult the dealer or an experienced radio/TV technician for help.

### CAUTION

You are cautioned that any changes or modifications not expressly approved in this manual could void your authority to operate this equipment.

### Note on DualDiscs

A DualDisc is a two sided disc product which mates DVD recorded material on one side with digital audio material on the other side. However, since the audio material side does not conform to the Compact Disc (CD) standard, playback on this product is not guaranteed.

### Music discs encoded with copyright protection technologies

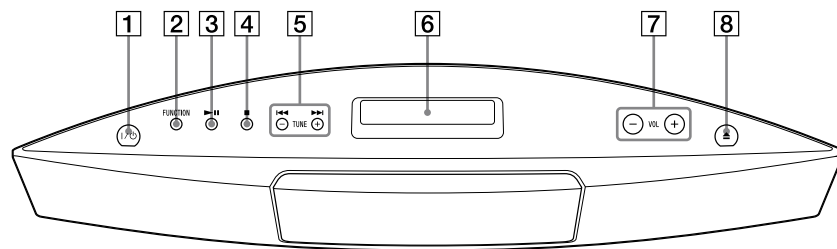
This product is designed to playback discs that conform to the Compact Disc (CD) standard. Recently, various music discs encoded with copyright protection technologies are marketed by some record companies. Please be aware that among those discs, there are some that do not conform to the CD standard and may not be playable by this product.

### License and Trademark Notice

- iPhone®, iPod®, iPod nano®, and iPod touch® are trademarks of Apple Inc., registered in the U.S. and other countries. Lightning™ is a trademark of Apple Inc.
- MPEG Layer-3 audio coding technology and patents licensed from Fraunhofer IIS and Thomson.
- Windows Media is either a registered trademark or trademark of Microsoft Corporation in the United States and/or other countries.
- This product is protected by certain intellectual property rights of Microsoft Corporation. Use or distribution of such technology outside of this product is prohibited without a license from Microsoft or an authorized Microsoft subsidiary.
- All other trademarks and registered trademarks are of their respective holders. In this manual, ™ and ® marks are not specified.

## Location of Controls

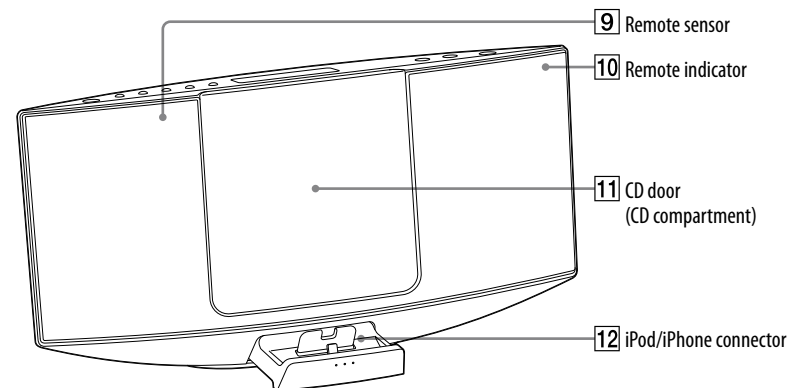
### Unit (Top)



### 6 Display panel

When the system is powered up, the setting status appears on the display panel. When the system goes to Standby mode, the setting status disappears from the display panel.

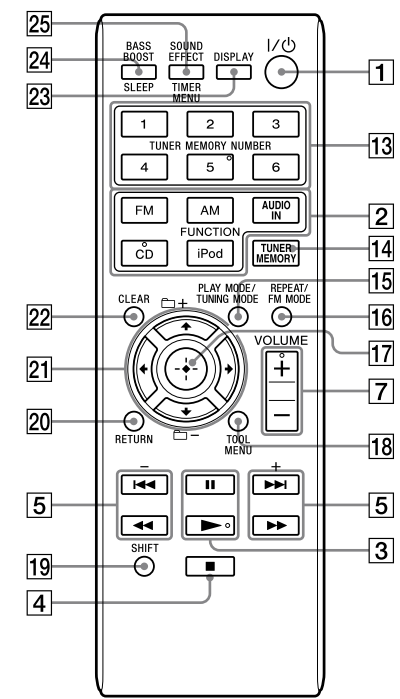
### Unit (Front)



### 10 Remote indicator

Lights in amber when a signal is received from the remote.

### Remote

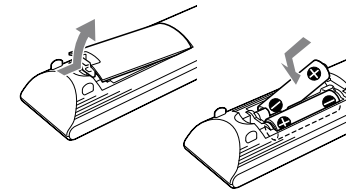


• This manual mainly explains operations using the remote, but the same operations can also be performed using the buttons on the unit having the same or similar names.

• The SLEEP and TIMER MENU functions indicated in pink on the remote can be activated using SHIFT [19]. If you want to operate the SLEEP or TIMER MENU functions, press and hold SHIFT [19] and press SLEEP [24] or TIMER MENU [25] button. If you press either of these buttons without holding SHIFT [19] pressed, the system will activate the BASS BOOST or SOUND EFFECT function.

### To use the remote

Remove the battery compartment lid, and insert the two supplied R6 (size AA) batteries, ⚡ side first, matching the polarities shown below.



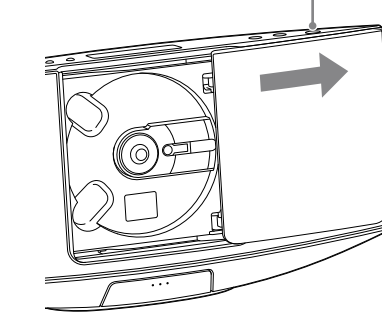
### Notes on using the remote

- With normal use, the batteries should last for about 6 months.
- Do not mix an old battery with a new one or mix different types of batteries.
- If you do not use the remote for a long period of time, remove the batteries to avoid damage from battery leakage and corrosion.

## Operations

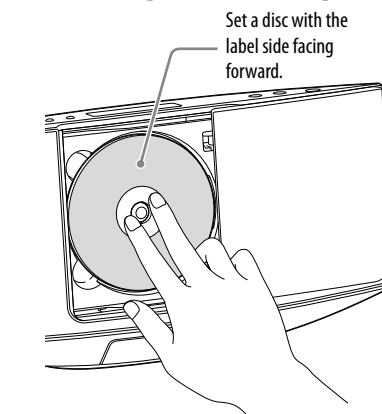
### Playing a CD/MP3 disc

- 1 Select the CD function. Press CD FUNCTION [2] on the remote or press FUNCTION [2] on the unit repeatedly.
- 2 Open the CD door. Press ▲ (Open/Close) [8] on the unit. ▲ (Open/Close) [8]



### 3 Set a disc.

Push the center part of the disc with two fingers until the disc snaps into its mounted position.



### 4 Close the CD door.

Press ▲ (Open/Close) [8] on the unit. "READING" appears.

### 5 Start playback.

Press ► [3] on the remote or press ► [3] on the unit.

### To eject a disc

Press ▲ (Open/Close) [8] on the unit and remove the disc by pulling up the edge of the disc while holding one finger against the spindle.

### Notes

- The system will automatically close the CD door [11] if a few minutes elapse of no operation with the CD door open.
- Do not set a disc with non-standard shapes (e.g., heart, square, star). The disc may fall into the system and cause irreparable damage.
- If you press I/O [1] with the CD door open, the system will automatically close the CD door.
- Do not use a disc with tape, seals or paste on it as this may cause a malfunction.
- When you eject a disc, handle the disc by its edge. Do not touch the surface.

### Other operations

To	Press
Pause playback	■ [3] (or ► [3] on the unit). To resume play, press the button again.
Stop playback	■ [4].
Select a folder on an MP3 disc	⏏ +/- [2].
Select a track or file	◀▶ [5] / ⏏ [2].
Find a point in a track or file	Hold down ◀▶ [5] (or ◀▶ [5] on the unit) during playback, and release the button at the desired point.
Select Repeat Play	REPEAT [16] repeatedly until "⏏" or "1" appears.
Eject a disc	▲ [8] on the unit.

### To change the play mode

Press PLAY MODE [15] repeatedly while the player is stopped. You can select Normal Play mode ("Normal" or "FLDR" for all MP3 files in the folder on the disc), Shuffle Play mode ("SHUF" or "FLDR SHUF" for folder shuffle), or Program Play mode ("PGM").

\* When playing a CD-DA (audio) disc, FLDR (SHUF) Play performs the same operation as normal (SHUF) Play.

### Notes on Shuffle Play mode

- When Shuffle Play mode is set to "SHUF", the system shuffle-plays all tracks or files on the disc. When Shuffle Play mode is set to "FLDR SHUF", the system shuffle-plays all tracks or files in selected folder.
- When you turn off the system, the selected Shuffle Play mode ("SHUF" or "FLDR SHUF") is cleared and the play mode returns to Normal Play mode ("FLDR").

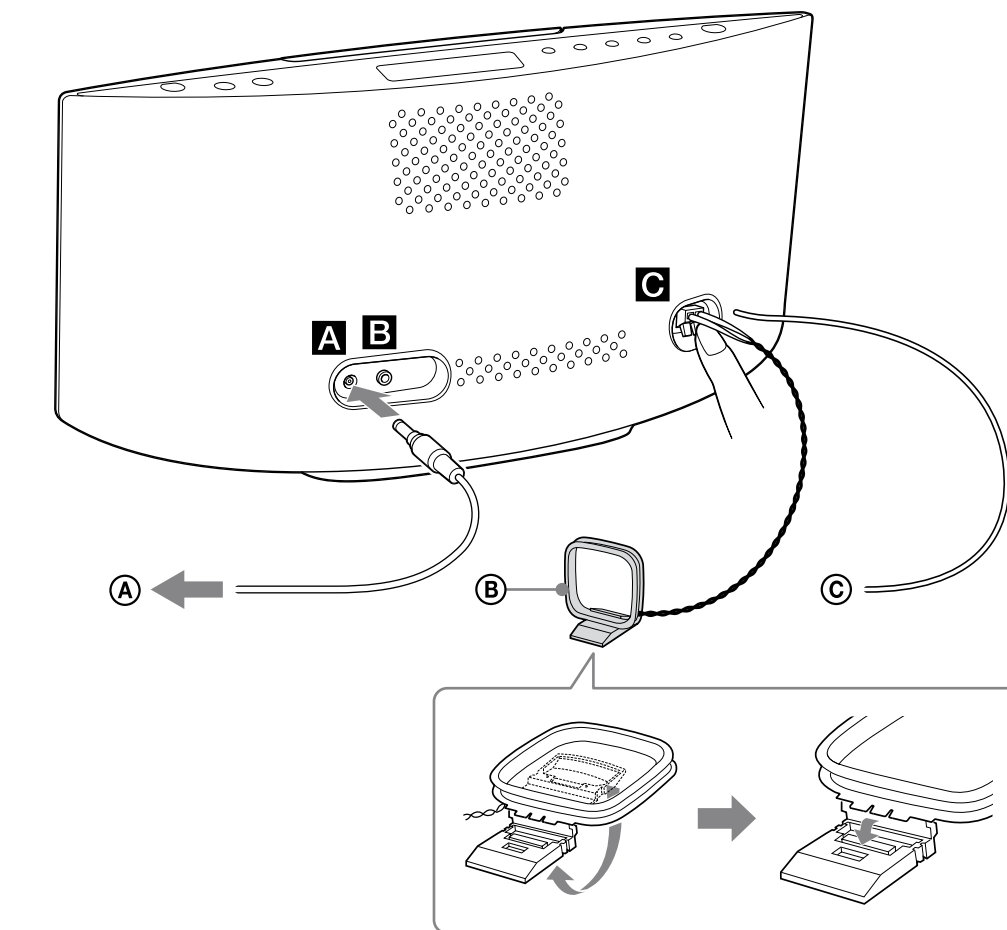
### Notes on Repeat Play

- ⏏ indicates that all tracks or files will be repeated until you stop playback.
- "1" indicates that a single track or file will be repeated until you stop playback.

### Notes on playing MP3 discs

- Do not save other types of tracks or files, or unnecessary folders on a disc that has MP3 files.
- Folders that have no MP3 files are skipped.
- The system can only play MP3 files that have a file extension of ".mp3".
- Even if a file name has the ".mp3" file extension, if the actual file differs, playing it may generate loud noise that might even damage the system.
- The maximum number of:
  - folders is 255\* (including the root folder).
  - MP3 files is 512.
  - MP3 files in a single folder is 512.
  - folder levels (in the tree structure of files) is 9.

## Getting Started



- Ⓐ To AC Adaptor
- Ⓑ AM loop antenna
- Ⓒ FM lead antenna (Extend it horizontally).

### Ⓐ Power (DC IN 9.5 V)

- 1 Connect the AC adaptor to the unit.
- 2 Plug the AC adaptor into a wall outlet.

### Ⓑ AUDIO IN jack

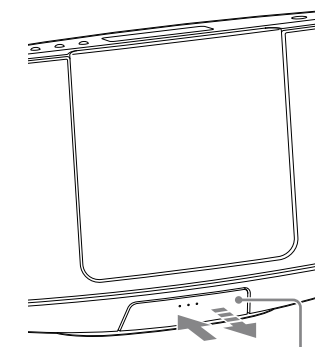
Connect an external audio component.

### Ⓒ Antennas

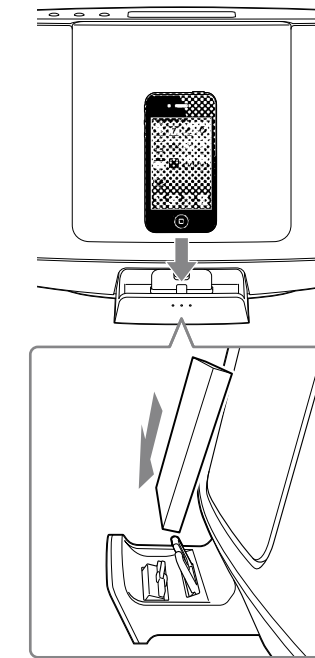
Find a location and an orientation that provide good reception, and then set up the AM antenna. Keep the antenna away from the power cord to avoid picking up noise.

### To use the iPod/iPhone

- 1 Open the dock by pushing the center of the dock.



- 2 Place the iPod/iPhone.







## Free Manuals Download Website

<http://myh66.com>

<http://usermanuals.us>

<http://www.somanuals.com>

<http://www.4manuals.cc>

<http://www.manual-lib.com>

<http://www.404manual.com>

<http://www.luxmanual.com>

<http://aubethermostatmanual.com>

Golf course search by state

<http://golfingnear.com>

Email search by domain

<http://emailbydomain.com>

Auto manuals search

<http://auto.somanuals.com>

TV manuals search

<http://tv.somanuals.com>