

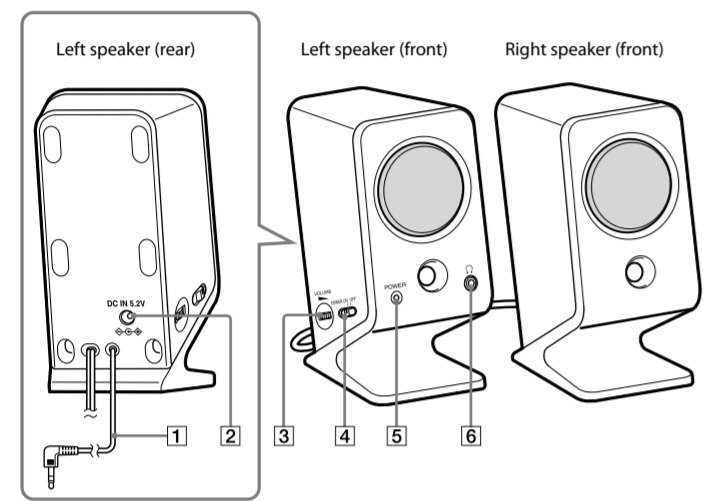
Active Speaker System

Operating Instructions
Mode d'emploi
Manual de instrucciones

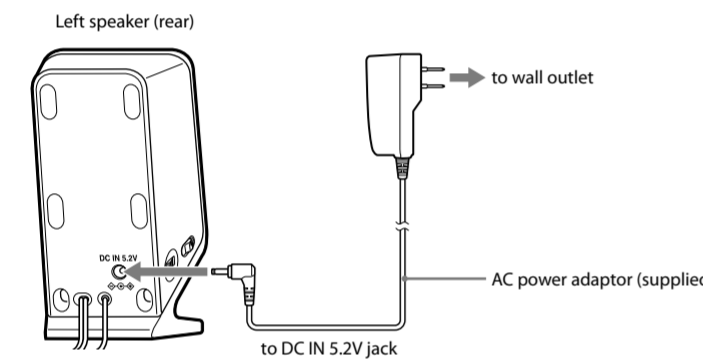
SRS-A3

©2010 Sony Corporation Printed in China

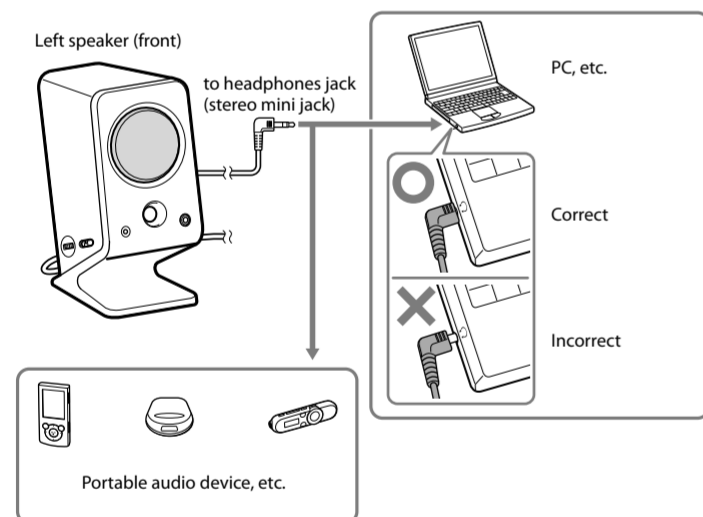
A



B



C



If connecting the system via a device with a built-in radio or tuner, radio broadcasts or TV sound may not be received, or sensitivity may be reduced significantly.

English

Before operating the system, please read this manual thoroughly and retain it for future reference.

WARNING

To reduce the risk of fire or electric shock, do not expose this apparatus to rain or moisture.

To reduce the risk of electrical shock, do not open the cabinet. Refer servicing to qualified personnel only. To reduce the risk of fire, do not cover the ventilation opening of the apparatus with newspapers, tablecloths, curtains, etc. Do not place the naked flame sources such as lighted candles on the apparatus.

To reduce the risk of fire or electric shock, do not expose this apparatus to dripping or splashing, and do not place objects filled with liquids, such as vases, on the apparatus. Do not install the appliance in a confined space, such as a bookcase or built-in cabinet.

As the main plug of AC power adaptor is used to disconnect the AC power adaptor from the mains, connect it to an easily accessible AC outlet. Should you notice an abnormality in it, disconnect it from the AC outlet immediately.

The system is not disconnected from the mains as long as it is connected to the AC outlet, even if the system itself has been turned off.

Note

This equipment has been tested and found to comply with the limits for a Class B digital device, pursuant to Part 15 of the FCC Rules. These limits are designed to provide reasonable protection against harmful interference in a residential installation. This equipment generates, uses and can radiate radio frequency energy and, if not installed and used in accordance with the instructions, may cause harmful interference to radio communications. However, there is no guarantee that interference will not occur in a particular installation. If this equipment does cause harmful interference to radio or television reception, which can be determined by turning the equipment off and on, the user is encouraged to try to correct the interference by one or more of the following measures:

- Reorient or relocate the receiving antenna.
- Increase the separation between the equipment and receiver.
- Connect the equipment into an outlet on a circuit different from that to which the receiver is connected.
- Consult the dealer or an experienced radio/TV technician for help.

CAUTION

You are cautioned that any changes or modifications not expressly approved in this manual could void your authority to operate this equipment.

This Class B digital apparatus complies with Canadian ICES-003.

Precautions

On safety

The nameplate is located on the bottom exterior of the left speaker.

- Before operating the system, be sure that the operating voltage of the system is identical to that of your local power supply.

Where purchased	Operating voltage
All countries/regions	100 V ~ 240 V AC, 50/60 Hz

- Use only the supplied AC power adaptor.

On operation

- Should any solid object or liquid fall into the system, have the system checked by qualified personnel before operating it any further.
- Although this system is magnetically shielded, do not leave recorded tapes, watches, personal credit cards, or floppy disks with magnetic coding in front of the system for an extended period of time.

On placement

- Do not set the system in an inclined position.
- Do not leave the system in a location near heat sources, or in a place subject to direct sunlight, excessive dust, moisture, rain or mechanical shock.

On cleaning

Do not use alcohol, benzene or thinner to clean the cabinet.

If the TV picture or monitor display is magnetically distorted

Although this system is magnetically shielded, there may be cases that the picture on some TV sets/personal computers may become magnetically distorted. In such a case, turn off the power of the TV set/personal computer once, and after 15 to 30 minutes turn it on again. In the case of a personal computer, take appropriate measures such as data storage before turning off.

If no improvement is apparent, locate the system farther away from the TV set/personal computer. Furthermore, be sure not to place objects in which magnets are attached or used, such as audio racks, TV stands, toys, etc., near the TV set/personal computer. These may cause magnetic distortion to the picture due to magnetic interaction.

If you have any questions or problems concerning this system that are not covered in this manual, please consult your nearest Sony dealer.

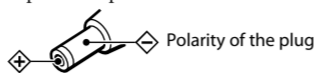
Identifying parts (See fig. A)

- 1 Input (input) cable**
Connecting cord with stereo mini plug
- 2 DC IN 5.2V jack**
- 3 VOLUME (volume) control**
- 4 POWER (power) switch**
- 5 POWER (power) indicator**
- 6 ⌚ (headphones) jack**

Power Sources (See fig. B)

Connect the AC power adaptor to the DC IN 5.2V jack.

- Notes on the AC power adaptor
 - Use only the supplied AC power adaptor. To avoid damaging the system do not use any other AC power adaptor.



- Plug the AC power adaptor into a nearby AC outlet. In the case of a problem, unplug from the AC outlet immediately.
- Do not place the AC power adaptor on a bookshelf or in a confined place, such as a cabinet.
- To avoid fire or electric shock do not use the AC power adaptor in a place subject to liquid or moisture. Furthermore, do not place liquid-filled vessels, such as vases, etc., on the AC power adaptor.

Hooking up the system (See fig. C)

Connect the system to a source device.

When the system is connected to the monaural jack of a source device

The sound may not come through the right speaker.

Notes

- If the PC volume adjustment (master volume, WAV volume, etc.) is low, sound may be insufficient. If so, turn up the sound of the PC. For details on volume adjustment on your PC, refer to its operating instructions.
- Make sure the connection of the stereo mini plug and the jack of the source device is made properly.
- If connecting the system via a device with a built-in radio or tuner, radio broadcasts or TV sound may not be received, or sensitivity may be reduced significantly.
- If you remove the input cable while the source device (PC, etc) is working, the equipment or your ears may be damaged by unexpected loud sound. Be sure to lower the volume of the source device (PC, etc) and turn off the system when removing the input cable from the source device.

Listening to the sound

First, turn down the volume on this system. When connecting the system to the headphones output, turn down the volume of the source device.

- 1 Set the POWER switch to ON.**
The POWER indicator lights up.
- 2 Start playback of the source device.**
- 3 Adjust the volume.**
Set the volume of the source device to a moderate level, and then turn up the VOLUME control on this system.
- 4 Set the POWER switch to OFF after use.**
The POWER indicator goes off.

To use the headphones/earphones
Connect them to the ⌚ jack.

Note

If the source device has a bass boost function or equalizer function, set to off. If these functions are on, sound may be distorted.

Troubleshooting

Should you experience any problems with your speaker system, check the following list and take the suggested measures. If the problem persists, consult your nearest Sony dealer.

No sound

- Check that both this system and the source device are turned on.
- Turn up the volume of the system.
- Turn up the volume of the source device as high as possible before the onset of distortion. For details on volume adjustment, refer to the operating instructions supplied with the device.
- Make sure all connections have been correctly made.
- If the mute function of the volume adjustment of your PC is set, cancel it.
- Check if headphones are connected. If they are, disconnect them.
- Disconnect the connecting cord with stereo mini plug from the system and the PC or source device; then, firmly reconnect the connecting cord to the system and the headphone jack (stereo mini jack) of the PC or source device.

Low sound level

- Turn up the volume of the source device as high as possible before the onset of distortion. For details on volume adjustment, refer to the operating instructions supplied with the device.
- Turn up the volume of the system.
- Ensure that your PC sound balance is set to the center.
- Disconnect the connecting cord with stereo mini plug from the system and the PC or source device; then, firmly reconnect the connecting cord to the system and the headphone jack (stereo mini jack) of the PC or source device.

Distorted sound

- Turn down the volume of the source device to the point where the sound is no longer distorted. For details on volume adjustment, refer to the operating instructions supplied with the device.
- If the source device has a bass boost function, set it to off.
- Turn down the volume of the system.

There is hum or noise in the system output.

- Make sure all connections have been correctly made.
- Make sure no audio devices are positioned too close to the TV set.

The brightness of the POWER indicator is unstable.

The brightness of the POWER indicator may become unstable when the volume is turned up.

The sound comes through only one speaker.

If connecting the system to the monaural jack of a source device, the sound may come through only one speaker.

Specifications

Speaker section

Speaker system
46 mm (1 13/16 in) Full range, magnetically shielded

Enclosure type

Bass reflex

Impedance

3.2 Ω

Amplifier section

Reference output power
2.5 W + 2.5 W (10 % T.H.D., 1 kHz, 3.2 Ω)

Input
Connecting cord with stereo mini plug (approx. 1 m, 39 1/16 in) × 1

Input impedance

8 kΩ (at 1 kHz)

Output
Stereo mini jack × 1 (PHONES)

General

Power
DC 5.2 V (supplied AC power adaptor)

Dimensions (w/h/d)
Approx. 85 × 172 × 119 mm (3 3/8 × 6 7/8 × 4 3/4 in)

Mass

Left speaker:
Approx. 330 g (12 oz)
Right speaker:
Approx. 310 g (11 oz)

Supplied accessories

AC power adaptor (AC-E5212) (1)
Operating Instructions (1)

Design and specifications are subject to change without notice.

This warranty is valid only in the United States. Cete garantie ne s'applique qu'aux États-Unis. Esta garantía sólo es válida en Estados Unidos.

SONY®

Portable Audio

LIMITED WARRANTY (U.S. Only)

Sony Electronics Inc. ("Sony") warrants this product against defects in material or workmanship for the time periods and as set forth below when purchased directly from Sony or a Sony Retailer. Pursuant to this Limited Warranty, Sony will, at its option, (i) repair the product using new or refurbished parts or (ii) replace the product with a new or refurbished product. For purposes of this Limited Warranty, "refurbished" means a product or part that has been returned to its original specifications. **In the event of a defect, these are your exclusive remedies.**

Term: For a period of ninety (90) days from the original date of purchase of the product, Sony will, at its option, repair or replace with new or refurbished product or parts, any product or parts determined to be defective.

This Limited Warranty covers only the hardware components packaged with the Product. It does not cover technical assistance for hardware or software usage and it does not cover any software products whether or not contained in the Product; any such software is provided "AS IS" unless expressly provided for in any enclosed software Limited Warranty. Please refer to the End User License Agreements included with the Product for your rights and obligations with respect to the software.

Instructions: To obtain warranty service, you must deliver the product, freight prepaid, in either its original packaging or packaging affording an equal degree of protection to the Sony authorized service facility specified. **It is your responsibility to backup any data, software or other materials you may have stored or preserved during service and Sony will not be responsible for any such damage or loss.** A dated purchase receipt from Sony or a Sony Retailer is required. For specific instructions on how to obtain warranty service for your product.

The Address of the Laredo Fulfillment Center is:

Laredo Fulfillment Center
10227 Crossroads Loop Suite B
Laredo, TX 78045

Visit Sony's Web Site:
www.sony.com/support

Or call the **Sony Customer Information Service Center**
1-800-222-SONY (7669)

For an accessory or part not available from your authorized dealer, call:

1-800-488-SONY (7669)

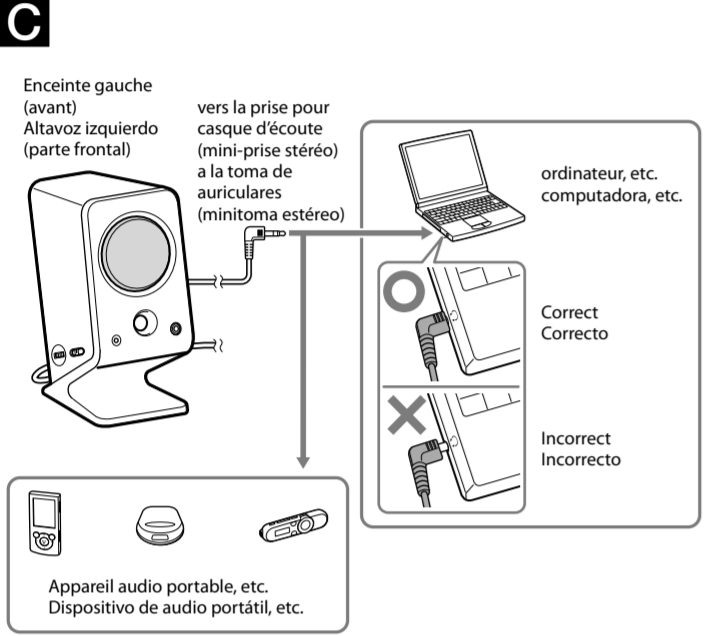
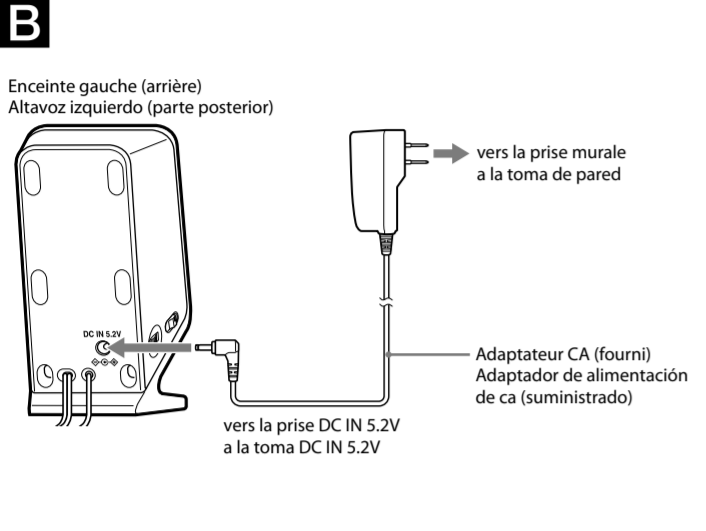
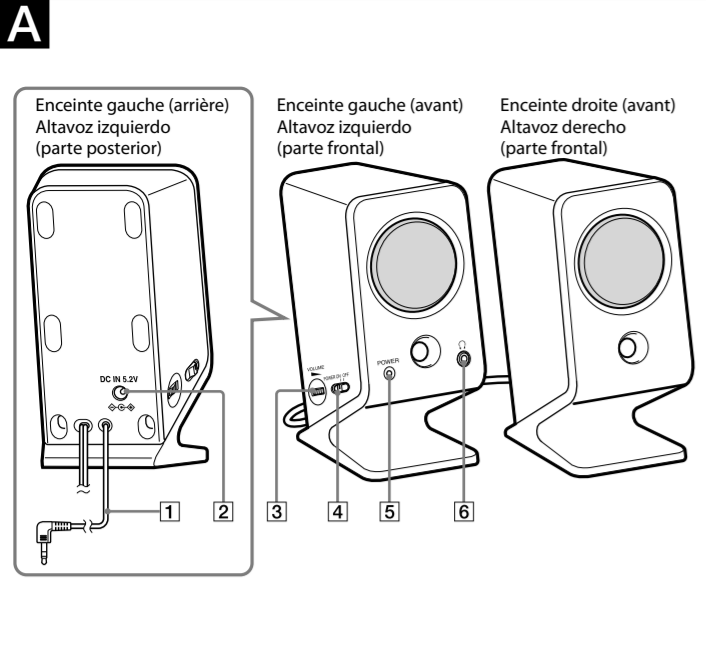
Repair / Replacement Warranty: This Limited Warranty shall apply to any repair, replacement part or replacement product for the remainder of the original Limited Warranty period or for ninety (90) days, whichever is longer. Any parts or product replaced under this Limited Warranty will become the property of Sony.

This Limited Warranty only covers product issues caused by defects in material or workmanship during ordinary consumer use; it does not cover product issues caused by any other reason, including but not limited to product issues due to commercial use, acts of God, misuse, limitations of technology, or modification of or to any part of the Sony product or product purchased from other than Sony or a Sony Retailer. To determine if a retailer is part of the Sony Retailer Network, please contact Sony's Customer Service Call Center or go to www.sony.com/support. This Limited Warranty does not cover Sony products sold AS IS or WITH ALL FAULTS or consumables (such as fuses or batteries). This Limited Warranty is invalid if the factory-applied serial number has been altered or removed from the product. This Limited Warranty is valid only in the United States.

LIMITATION ON DAMAGES: SONY SHALL NOT BE LIABLE FOR ANY INCIDENTAL OR CONSEQUENTIAL DAMAGES FOR BREACH OF ANY EXPRESS OR IMPLIED WARRANTY ON THIS PRODUCT.

DURATION OF IMPLIED WARRANTIES: EXCEPT TO THE EXTENT PROHIBITED BY APPLICABLE LAW, ANY IMPLIED WARRANTY OF MERCHANTABILITY OR FITNESS FOR A PARTICULAR PURPOSE ON THIS PRODUCT IS LIMITED IN DURATION TO THE DURATION OF THIS WARRANTY.

Some states do not allow the exclusion or limitation of incidental or consequential damages, or allow limitations on how long an implied warranty lasts, so the above limitations or exclusions may not apply to you. This Limited Warranty gives you specific legal rights and you may have other rights which vary from state to state.



<p>Si vous raccordez le système via un périphérique muni d'une radio ou d'un syntoniseur intégré, la réception radio ou le son du téléviseur peut être inopérant ou la sensibilité peut être réduite de façon significative.</p>
<p>Si conecta el sistema mediante un dispositivo con radio o sintonizador incorporado, es posible que las emisiones de radio o el sonido procedente del televisor no se reciban o que la sensibilidad se reduzca de manera significativa.</p>

Français

Avant d'utiliser le système, lisez attentivement ce mode d'emploi et conservez-le afin de pouvoir le consulter ultérieurement.

AVERTISSEMENT
Pour éviter les risques d'incendie ou d'électrocution, n'exposez pas cet appareil à la pluie ou à l'humidité.

Ne pas ouvrir le boîtier afin d'éviter tout risque d'électrocution. Confier la réparation de l'appareil à un technicien qualifié uniquement. Pour éviter tout risque d'incendie, n'obstruez pas l'orifice de ventilation de l'appareil avec des journaux, des nappes, des rideaux, etc. Ne placez aucune flamme incandescente (bougies) sur l'appareil. Pour éviter tout risque d'incendie ou d'électrocution, n'exposez pas cet appareil aux élaboussures et évitez de placer des objets remplis de liquide, tels que des vases, sur celui-ci. N'installez pas l'appareil dans un espace confiné, notamment dans une bibliothèque ou un meuble encastré. Comme la fiche de l'adaptateur CA est utilisée pour le débrancher de l'alimentation, branchez-la à une prise CA facilement accessible.

Si vous remarquez une anomalie au niveau de la fiche, débranchez-la immédiatement de la prise CA. Le système n'est pas déconnecté de l'alimentation électrique tant qu'il reste branché à la prise CA, même si le système lui-même a été mis hors tension.

Remarque

Cet appareil a été testé et s'est avéré respecter les limites définies pour les appareils numériques de Classe B, conformément à la section 15 des règlements du FCC. Ces normes sont conçues pour assurer une protection raisonnable contre les interférences nuisibles dans un environnement résidentiel. Cet appareil génère, utilise et peut émettre une énergie de fréquences radio et, s'il n'est pas installé et utilisé conformément aux instructions, il risque de causer des interférences nuisibles pour les communications radio. Cependant, il n'est pas garanti que ces interférences ne surviennent pas dans une installation spécifique. Si ce matériel est source d'interférences nuisibles pour la réception radio ou télévisée, ce qui peut être déterminé en mettant l'appareil hors tension, puis sous tension, il est recommandé de tenter d'éliminer ces interférences en appliquant l'une ou plusieurs des mesures suivantes :

- réorienter ou déplacer l'antenne de réception ;
- augmenter la distance entre l'appareil et le récepteur ;
- raccorder l'appareil à une prise sur un circuit différent de celui sur lequel le récepteur est raccoré ;
- demande l'assistance d'un détaillant ou d'un technicien radio/TV expérimenté.

ATTENTION

Nous vous mettons en garde contre le fait que tout changement ou toute modification non expressément approuvé(e) dans le présent manuel peut annuler vos droits d'utilisation de cet appareil.

Cet appareil numérique de la classe B est conforme à la norme NMB-003 du Canada.

Précautions

Sécurité

La plaque signalétique est située sur la face extérieure, sous l'enceinte gauche.

• Avant de le faire fonctionner, vérifiez que la tension de fonctionnement du système est identique à celle de votre alimentation électrique.

Lieu d'achat	Tension de fonctionnement
Tous les pays/toutes les régions	100 V – 240 V CA, 50/60 Hz

- Utilisez uniquement l'adaptateur CA fourni.

Fonctionnement

- Si un objet ou un liquide devait pénétrer à l'intérieur du système, faites vérifier ce dernier par un technicien qualifié avant de l'utiliser de nouveau.
- Bien que ce système soit magnétiquement blindé, ne laissez pas de bandes enregistrées, de montres, de cartes de crédit ou de disquettes employant un codage magnétique devant le système pendant une période prolongée.

Installation

- N'installez pas le système sur un plan incliné.
- N'installez pas votre système à proximité de sources de chaleur ni dans un endroit poussiéreux, humide ou soumis à la pluie, aux rayons directs du soleil ou à des chocs mécaniques.

Nettoyage

Pour nettoyer le boîtier, n'utilisez pas d'alcool, d'essence ni de diluant.

Si l'image du téléviseur ou du moniteur subit une distorsion magnétique

Bien que le système soit blindé magnétiquement, il peut arriver que l'image de certains téléviseurs ou écrans d'ordinateur soit déformée magnétiquement. En pareil cas, mettez le téléviseur ou l'ordinateur hors tension et remettez-le sous tension de 15 à 30 minutes plus tard. Dans le cas d'un ordinateur, prenez les mesures nécessaires pour sauvegarder les données avant de le mettre hors tension.

Si vous ne constatez pas d'amélioration, éloignez le système du téléviseur ou de l'ordinateur. En outre, ne placez pas d'objets utilisant ou comportant des aimants comme des meubles audio, des supports de téléviseur, des jouets, etc., près du téléviseur ou de l'ordinateur. Leur interaction magnétique peut provoquer une distorsion de l'image.

Si vous avez des questions ou des problèmes concernant cet appareil qui ne sont pas abordés dans ce mode d'emploi, contactez votre détaillant Sony.

Identification des pièces (Voir fig. A)

- Câble Input (entrée)** Cordon de raccordement avec mini-fiche stéréo
- Prise DC IN 5.2V**
- Commande VOLUME (volume)**
- Commuteur POWER (alimentation)**
- Témoin POWER (alimentation)**
- Prise ↻ (casque d'écoute)**

Sources d'alimentation (Voir fig. B)

Branchez l'adaptateur CA à la prise DC IN 5.2V.

Remarques sur l'adaptateur CA

- Utilisez uniquement l'adaptateur CA fourni. N'utilisez aucun autre adaptateur CA afin d'éviter d'endommager le système.



- Branchez l'adaptateur CA dans une prise CA située à proximité. En cas de problème, débranchez la fiche de la prise secteur immédiatement.
- Ne placez pas l'adaptateur CA sur une bibliothèque ou dans un espace confiné comme un meuble.
- Pour éviter un incendie ou tout risque d'électrocution, n'utilisez pas l'adaptateur CA dans un endroit sujet à des projections de liquide ou à l'humidité. En outre, ne placez aucun objet rempli de liquide comme des vases, etc., sur l'adaptateur CA.

Raccordement du système (Voir fig. C)

Raccordez le système à un périphérique source.

Si le système est raccoré à la prise mono du périphérique source

Il est possible que le son ne soit pas reproduit dans l'enceinte droite.

Remarques

- Si le réglage du volume de l'ordinateur (volume principal, volume WAV, etc.) est bas, il est possible que le niveau du son soit insuffisant. Si c'est le cas, augmentez le volume de l'ordinateur. Pour plus d'informations sur le réglage du volume sur l'ordinateur, consultez son mode d'emploi.
- Assurez-vous que le raccordement de la mini-fiche stéréo et celui de la prise du périphérique source sont effectués correctement.
- Si vous raccordez le système via un périphérique muni d'une radio ou d'un syntoniseur intégré, la réception radio ou le son du téléviseur peut être inopérant ou la sensibilité peut être réduite de façon significative.
- Si vous débranchez le câble d'entrée alors que le périphérique source (ordinateur, par exemple) est en marche, un son puissant et inattendu risque d'endommager l'appareil ou d'altérer votre ouïe. Veillez à réduire le volume du périphérique source (ordinateur, etc.) et à mettre le système hors tension lorsque vous retirez le câble d'entrée provenant du périphérique source.

Écoute du son

Baissez d'abord le volume sur le système. Lors du raccordement du système à la sortie pour casque d'écoute, baissez le volume du périphérique source.

- Réglez le commutateur POWER sur ON.** Le témoin POWER s'allume.
- Démarrez la lecture du périphérique source.**
- Réglez le volume.** Réglez le volume du périphérique source à un niveau moyen, puis tournez la commande de VOLUME sur ce système.
- Réglez le commutateur POWER sur OFF après l'utilisation.** Le témoin POWER s'éteint.

Pour utiliser le casque d'écoute ou les écouteurs
Raccordez le casque d'écoute ou les écouteurs à la prise ↻.

Remarque

Si le périphérique source comporte une fonction d'amplificateur de graves ou d'égaliseur, désactivez-la. Si ces fonctions sont activées, le son peut être déformé.

Dépannage

En cas de problème avec votre système d'enceintes, vérifiez la liste suivante et prenez les mesures suggérées. Si le problème persiste, consultez votre détaillant Sony le plus proche.

Aucun son

- Vérifiez que cet appareil et le périphérique source sont sous tension.
- Augmentez le volume du système.
- Réglez le volume du périphérique source à un niveau aussi élevé que possible sans que le son soit déformé. Pour des détails sur le réglage du volume, consultez le mode d'emploi qui accompagne le périphérique.
- Assurez-vous que tous les raccordements sont corrects.
- Si la fonction de coupure du son du réglage du volume de l'ordinateur est activée, désactivez-la.
- Vérifiez si un casque d'écoute est raccoré. Si c'est le cas, débranchez-le.
- Débranchez le cordon de raccordement avec mini-fiche stéréo du système et de l'ordinateur ou du périphérique source, puis rebranchez fermement le cordon de raccordement au système et à la prise pour casque d'écoute (mini-prise stéréo) de l'ordinateur ou du périphérique source.

Niveau sonore faible

- Réglez le volume du périphérique source à un niveau aussi élevé que possible sans que le son soit déformé. Pour des détails sur le réglage du volume, consultez le mode d'emploi qui accompagne le périphérique.
- Augmentez le volume du système.
- Assurez-vous que la balance du son de l'ordinateur est réglée sur la position centrale.
- Débranchez le cordon de raccordement avec mini-fiche stéréo du système et de l'ordinateur ou du périphérique source, puis rebranchez fermement le cordon de raccordement au système et à la prise pour casque d'écoute (mini-prise stéréo) de l'ordinateur ou du périphérique source.

Son déformé

- Réglez le volume du périphérique source à un niveau suffisamment bas pour que le son ne soit plus déformé. Pour des détails sur le réglage du volume, consultez le mode d'emploi qui accompagne le périphérique.
- Si le périphérique source comporte une fonction d'amplificateur de graves, désactivez-la.
- Abaissez le volume du système.
- Assurez-vous que tous les raccordements sont corrects.
- Assurez-vous qu'aucun périphérique audio n'est placé trop près du téléviseur.

La luminosité du témoin POWER est instable.

La luminosité du témoin POWER peut devenir instable lorsque vous augmentez le volume.

Le son n'est reproduit que par une seule enceinte.

Si le système est raccoré à la prise mono d'un périphérique source, il se peut que le son ne soit reproduit que par une seule enceinte.

Caractéristiques techniques

Section enceintes	
Système d'enceintes	46 mm (1 13/16 po), gamme étendue, dotée d'un blindage magnétique
Type d'enceinte	Bass reflex
Impédance	3,2 Ω
Section amplificateur	
Puissance de sortie de référence	2,5 W + 2,5 W (10 % D.H.T., 1 kHz, 3,2 Ω)
Entrée	Cordon de raccordement avec mini-fiche stéréo (environ 1 m, 39 1/8 po) × 1
Impédance d'entrée	8 kΩ (à 1 kHz)
Sortie	Mini-prise stéréo × 1 (PHONES)
Généralités	
Alimentation	5,2 V CC (adaptateur CA fourni)
Dimensions (l/h/p)	Environ 85 × 172 × 119 mm (3 1/8 × 6 7/8 × 4 1/4 po)
Poids	Environ 330 g (12 oz) Enceinte droite : Environ 310 g (11 oz)
Accessoires fournis	
Adaptateur CA (AC-E5212) (1)	Mode d'emploi (1)

La conception et les caractéristiques techniques sont sujettes à modification sans préavis.

Español

Antes de utilizar el sistema, lea este manual atentamente y consérvelo para consultarlo en el futuro.

ADVERTENCIA
Para reducir el riesgo de incendios o descargas eléctricas, no exponga el aparato a la lluvia ni a la humedad.

Para reducir el riesgo de descargas eléctricas, no abra la unidad. En caso de avería, solicite los servicios de personal cualificado solamente. Para reducir el riesgo de incendio, no cubra las aberturas de ventilación del aparato con periódicos, manteles, cortinas, etc. No coloque sobre el aparato fuentes de llamas al descubierto, como velas encendidas.

Para reducir el riesgo de incendio o descarga eléctrica, no exponga el aparato a goteros o salpicaduras ni coloque encima objetos que contengan líquidos como, por ejemplo, jarrones. No instale el aparato en un espacio cerrado, como una librería o un armario empotrado.

Debido a que la clavija principal del adaptador de alimentación de ca se utiliza para desconectar el adaptador de alimentación de ca de la corriente, conéctelo a una toma de corriente de ca de fácil acceso.

Si observa cualquier irregularidad en el adaptador, desconéctelo de la toma de corriente de ca inmediatamente. El sistema no se desconecta de la corriente mientras sigue conectado a la toma de corriente de ca, aunque esté apagado.

PRECAUCIÓN

Se advierte que cualquier cambio o modificación que no se apruebe de modo explícito en este manual podría anular su autorización para utilizar este equipo.

Precauciones

Seguridad

La placa de características se encuentra en la parte inferior exterior del altavoz izquierdo.

- Antes de utilizar el sistema compruebe si la tensión de la alimentación del mismo es idéntica a la de la fuente de alimentación local.

Lugar de adquisición	Tensión de alimentación
Todos los países y regiones	ca de 100 V – 240 V, 50/60 Hz

- Utilice solamente el adaptador de alimentación de ca suministrado.

Funcionamiento

- Si se introduce algún objeto sólido o líquido en el sistema, haga que personal especializado lo revise antes de volver a usarlo.
- Aunque este sistema está magnéticamente protegido, no deje cintas grabadas, relojes, tarjetas de crédito o disquetes que utilicen codificación magnética delante del mismo durante un periodo prolongado de tiempo.

Colocación

- No coloque los altavoces en posición inclinada.
- No deje el sistema cerca de fuentes de calor, ni en lugares expuestos a la luz solar directa, polvo excesivo, humedad, lluvia o golpes.

Limpieza

No utilice alcohol, bencina ni disolvente para limpiar la unidad.

Si la imagen del televisor o la pantalla del monitor aparece distorsionada debido al magnetismo

Aunque este sistema está magnéticamente protegido, en algunos casos la imagen de algunos televisores o computadoras puede distorsionarse debido al magnetismo. En este caso, apague el televisor o la computadora y vuelva a encenderlo pasados entre 15 y 30 minutos. En el caso de una computadora, tome medidas adecuadas como el almacenamiento de datos antes de apagarla. Si no se produce una mejora aparente, aleje el sistema del televisor o de la computadora. Además, asegúrese de no colocar objetos que contengan o utilicen imanes, como rejillas de equipos de audio, soportes para televisor, juguetes, etc. cerca del televisor o de la computadora. Estos componentes podrían causar distorsión magnética en la imagen debido a la interacción magnética.

Si desea realizar alguna consulta o solucionar algún problema relativo a la unidad que no se trate en este manual, póngase en contacto con el distribuidor Sony más cercano a su domicilio.

Identificación de las piezas (Consulte la fig. A)

- Cable Input (entrada)** Cable de conexión con miniclavija estéreo
- Toma DC IN 5.2V**
- Control VOLUME (volumen)**
- Interruptor POWER (alimentación)**
- Indicador POWER (alimentación)**
- Toma ↻ (auriculares)**

Fuentes de alimentación (Consulte la fig. B)

Conecte el adaptador de alimentación de ca a la toma DC IN 5.2V.

Notas sobre el adaptador de alimentación de ca

- Utilice solamente el adaptador de alimentación de ca suministrado. Para evitar dañar el sistema, no utilice ningún otro adaptador de alimentación de ca.



- Conecte el adaptador de alimentación de ca a una salida de ca cercana. En caso de problemas, desconéctelo de la toma de corriente de ca inmediatamente.
- No coloque el adaptador de alimentación de ca en un estante ni en un lugar cerrado como, por ejemplo, un armario.
- Para evitar incendios y descargas eléctricas, no utilice el adaptador de alimentación de ca en lugares expuestos a líquidos o humedad. Tampoco coloque recipientes con líquidos como, por ejemplo, jarrones encima del adaptador de alimentación de ca.

Conexión de los altavoces (Consulte la fig. C)

Conecte el sistema a un dispositivo fuente.

Si el sistema está conectado a la toma monoaural del dispositivo fuente
Es posible que el sonido no se emita por el altavoz derecho.

Notas

- Si el ajuste de volumen de la computadora (volumen general, volumen WAV, etc.) es bajo, es posible que el sonido sea insuficiente. En tal caso, suba el sonido de la computadora. Si desea obtener más información sobre el ajuste de volumen de la computadora, consulte su manual de instrucciones.

- Asegúrese de que la conexión de la miniclavija estéreo y de la toma del dispositivo fuente se ha realizado correctamente.

- Si conecta el sistema mediante un dispositivo con radio o sintonizador incorporado, es posible que las emisiones de radio o el sonido procedente del televisor no se reciban o que la sensibilidad se reduzca de manera significativa.
- Si extrae el cable de entrada mientras el dispositivo fuente (PC, etc.) está en uso, es posible que se dañe el equipo o los oídos debido a un sonido agudo inesperado. Asegúrese de bajar el volumen del dispositivo fuente (PC, etc.) y de apagar el sistema cuando extraiga el cable de entrada del dispositivo fuente.

Recepción del sonido

En primer lugar, baje el volumen del sistema. Cuando conecte el sistema a la salida de auriculares, baje el volumen del dispositivo fuente.

- Ajuste el interruptor POWER en ON.** El indicador POWER se iluminará.
- Inicie la reproducción en el dispositivo fuente.**
- Ajuste el volumen.** Ajuste el volumen del dispositivo fuente en un nivel moderado y, a continuación, suba el volumen mediante el control VOLUME en el sistema.
- Ajuste el interruptor POWER en OFF después de utilizarlo.** El indicador POWER se apagará.

Para utilizar los auriculares
Conéctelos a la toma ↻.

Nota
Si el dispositivo fuente dispone de función de potenciación de graves o ecualizador, désactívelas. Si dichas funciones están activadas, el sonido podría distorsionarse.

Resolución de problemas

Si experimenta algún problema con el sistema de altavoces, compruebe la lista siguiente y tome las medidas que se sugieren. Si el problema persiste, póngase en contacto con el distribuidor Sony más cercano.

No hay sonido

- Compruebe que tanto el sistema como el dispositivo fuente estén encendidos.
- Suba el volumen del sistema.
- Suba el volumen del dispositivo fuente al máximo posible sin que se produzca una distorsión del sonido. Si desea obtener información detallada sobre el ajuste del volumen, consulte el manual de instrucciones suministrado con el dispositivo.
- Asegúrese de que todas las conexiones se hayan realizado correctamente.
- Si la función de silenciamiento del ajuste de volumen de la computadora está ajustada, cáncela.
- Compruebe que los auriculares estén conectados. Si lo están, desconéctelos.
- Desconecte el cable de conexión con miniclavija estéreo del sistema y de la computadora o dispositivo fuente; a continuación, vuelva a conectar firmemente el cable de conexión al sistema y a la toma de auriculares (minitoma estéreo) de la computadora o dispositivo fuente.

El nivel del sonido es bajo

- Suba el volumen del dispositivo fuente al máximo posible sin que se produzca una distorsión del sonido. Si desea obtener información detallada sobre el ajuste del volumen, consulte el manual de instrucciones suministrado con el dispositivo.
- Suba el volumen del sistema.
- Asegúrese de que el balance de sonido de la computadora está ajustado en el centro.
- Desconecte el cable de conexión con miniclavija estéreo del sistema y de la computadora o dispositivo fuente; a continuación, vuelva a conectar firmemente el cable de conexión al sistema y a la toma de auriculares (minitoma estéreo) de la computadora o dispositivo fuente.

El sonido se escucha distorsionado

- Baje el volumen del dispositivo fuente hasta que el sonido deje de escucharse distorsionado. Si desea obtener información detallada sobre el ajuste del volumen, consulte el manual de instrucciones suministrado con el dispositivo.
- Si el dispositivo fuente dispone de función de potenciación de graves, désactívela.
- Baje el volumen del sistema.

Se perciben zumbidos o ruidos en la salida del sistema.

- Asegúrese de que todas las conexiones se hayan realizado correctamente.
- Asegúrese de que no exista ningún dispositivo de audio demasiado cerca del televisor.

El brillo del indicador POWER es inestable.

Es posible que el brillo del indicador POWER se vuelva inestable al subir el volumen.

El sonido solamente se emite a través de un altavoz.
Si conecta el sistema a la toma monoaural de un dispositivo fuente, es posible que el sonido solamente se emita a través de un altavoz.

Especificaciones

Sección del altavoz
Sistema de altavoces

46 mm (1 13/16 pulg), alcance completa, magnéticamente protegido

Tipo de carcasa

reflejo de graves

Impedancia

3,2 Ω

Sección del amplificador
Potencia de salida de referencia

2,5 W + 2,5 W (10 % THD, 1 kHz, 3,2 Ω)

Entrada Cable de conexión con miniclavija estéreo (aprox. 1 m, 39 1/8 pulg) × 1

Impedancia de entrada

8 kΩ (a 1 kHz)

Salida Minitoma estéreo × 1 (PHONES)

Generales
Alimentación

cc de 5.2 V (adaptador de alimentación de ca suministrado)

Dimensiones (an/al/pr)

Aprox. 85 × 172 × 119 mm (3 1/8 × 6 7/8 × 4 1/4 pulg)

Peso Altavoz izquierdo: aprox. 330 g (12 oz)

Altavoz derecho: aprox. 310 g (11 oz)

Accesorios suministrados
Adaptador de alimentación de ca (AC-E5212) (1)
Manual de instrucciones (1)

El diseño y las especificaciones están sujetos a cambios sin previo aviso.

Free Manuals Download Website

<http://myh66.com>

<http://usermanuals.us>

<http://www.somanuals.com>

<http://www.4manuals.cc>

<http://www.manual-lib.com>

<http://www.404manual.com>

<http://www.luxmanual.com>

<http://aubethermostatmanual.com>

Golf course search by state

<http://golfingnear.com>

Email search by domain

<http://emailbydomain.com>

Auto manuals search

<http://auto.somanuals.com>

TV manuals search

<http://tv.somanuals.com>