

Specifications

Speaker	Coaxial 2-way: Woofer 13 cm, polypropylene cone type Tweeter 3 cm, PEI, balance dome type
Maximum input power	120 W
Rated input power	30 W
Impedance	4 ohms
Sensitivity	90 dB/W/m
Frequency response	40 – 30,000 Hz
Mass	Approx. 630 g per speaker

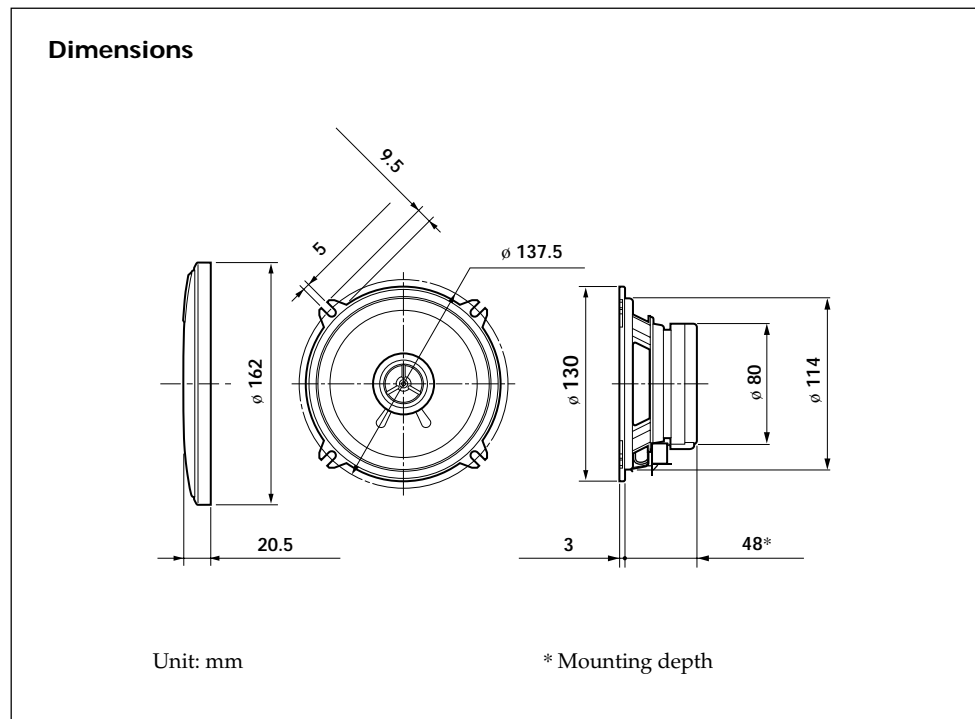
Design and specifications are subject to change without notice.

SONY®

3-046-196-11 (1)

13cm Coaxial 2-way Speaker

Instructions



XS-F1320SL

Sony Corporation © 2000 Printed in China

Precautions

- Do not continuously drive the speaker system over the power handling capacity.
- Keep recorded tapes, watches, and personal credit cards using magnetic coding away from the speaker system to protect them from damage caused by the magnets in the speakers.

If you cannot find an appropriate mounting location, consult your car dealer or your nearest Sony dealer before mounting.

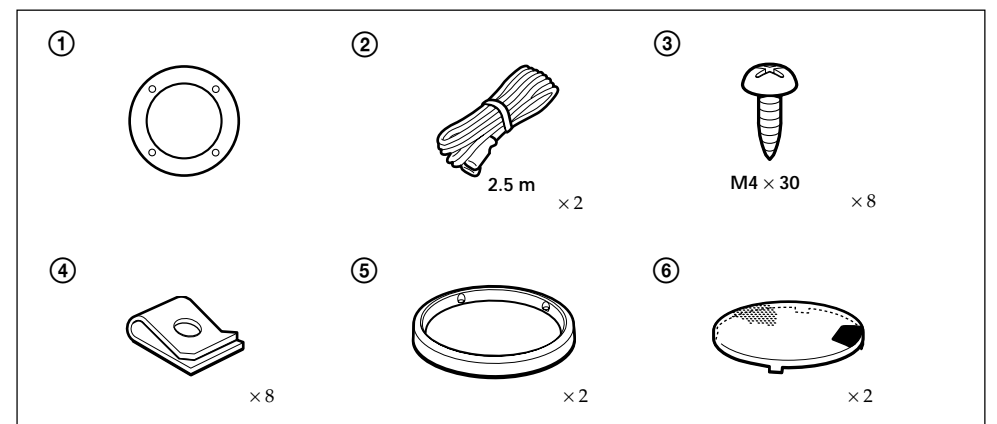
Mounting

Before Mounting

- A depth of at least 48 mm is required for mounting the woofer. Keep the following in mind when choosing a mounting location.
- A hole may already be provided in the metal frame of the front door.
- **Nothing should interfere with the speaker inside the door.**
- The speaker inside the door must not come into contact with the window when it is open.
- Be careful that speakers are out of the way of the window cranks, door handles, and arm rests.

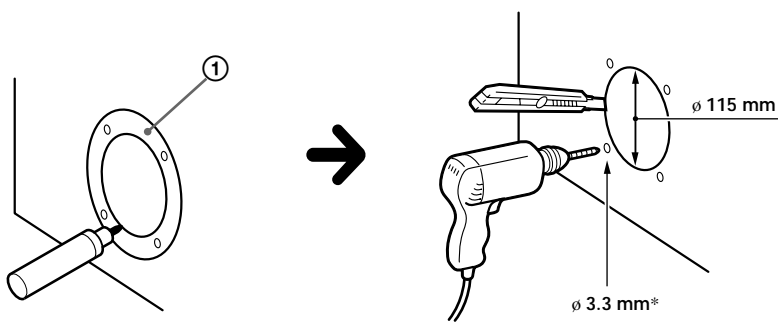
If you cannot find an appropriate mounting location, check with your car dealer or consult the nearest Sony dealer.

Parts List

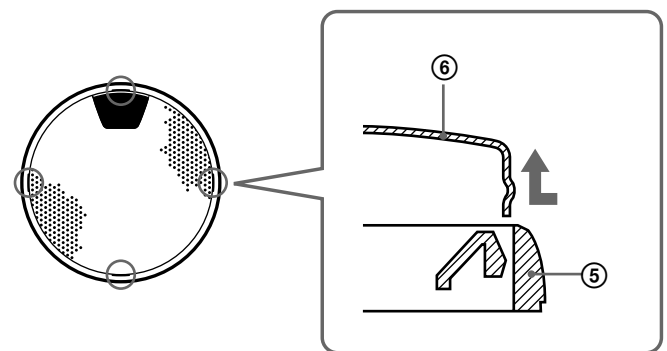


Mounting example

- 1** Mark the four bolt holes. Make them 3.3 mm* in diameter.
* When using ④ = 5 mm



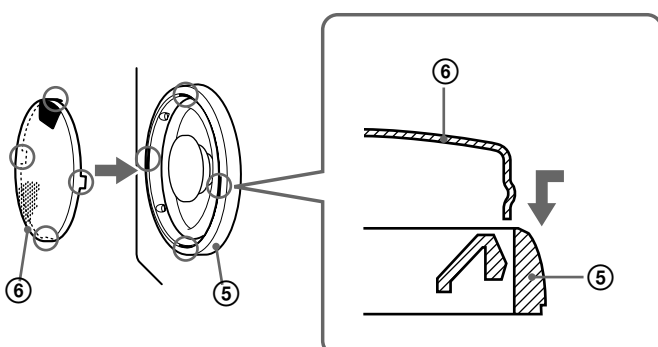
- 2** Remove the grille net.



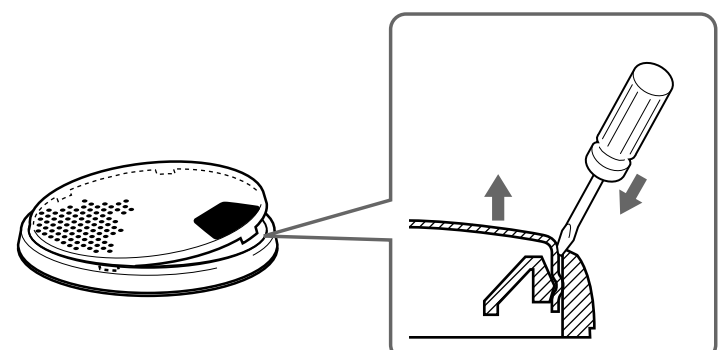
- 3**
-
- Diagram for step 3 showing speaker wiring. A speaker is connected to a power amplifier, etc. via a black-striped cord (2*). The wiring is shown connecting to the speaker terminals. A legend indicates: * White cord — Left speaker, Grey cord — Right speaker.

- 4**
-
- Diagram for step 4 showing speaker installation into the door panel. The speaker is shown being inserted into the door panel (5). The mounting plate (4) is shown being secured with screws (3) into the pre-drilled holes. A detail shows the mounting plate (4) being secured with a screw (3) into a hole with a diameter of 5.5 mm.

- 5** Press and insert the edges of the grille net.



How to remove the grille net



Free Manuals Download Website

<http://myh66.com>

<http://usermanuals.us>

<http://www.somanuals.com>

<http://www.4manuals.cc>

<http://www.manual-lib.com>

<http://www.404manual.com>

<http://www.luxmanual.com>

<http://aubethermostatmanual.com>

Golf course search by state

<http://golfingnear.com>

Email search by domain

<http://emailbydomain.com>

Auto manuals search

<http://auto.somanuals.com>

TV manuals search

<http://tv.somanuals.com>