

Personal Audio System

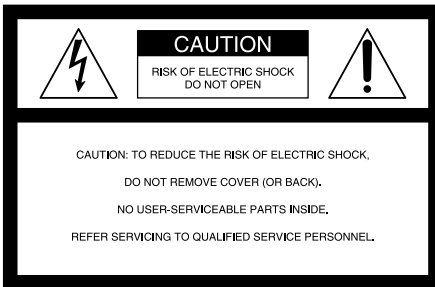
Operating Instructions



ZS-D55

Warning

To prevent fire or shock hazard, do not expose the player to rain or moisture.



This symbol is intended to alert the user to the presence of uninsulated “dangerous voltage” within the product’s enclosure that may be of sufficient magnitude to constitute a risk of electric shock to persons.



This symbol is intended to alert the user to the presence of important operating and maintenance (servicing) instructions in the literature accompanying the appliance.

CAUTION

The use of optical instruments with this product will increase eye hazard.

WARNING

Do not install the appliance in a confined space, such as a bookcase or built-in cabinet.

For customers in Canada

To prevent electric shock, match wide blade of plug to wide slot, fully insert.

Information

For customers in the United States

This equipment has been tested and found to comply with the limits for a Class B digital device, pursuant to Part 15 of the FCC Rules. These limits are designed to provide reasonable protection against harmful interference in a residential installation. This equipment generates, uses and can radiate radio frequency energy and, if not installed and used in accordance with the instructions, may cause harmful interference to radio communications. However, there is no guarantee that interference will not occur in a particular installation. If this equipment does cause harmful interference to radio or television reception, which can be determined by turning the equipment off and on, the user is encouraged to try to correct the interference by one or more of the following measures:

- Reorient or relocate the receiving antenna.
- Increase the separation between the equipment and receiver.
- Connect the equipment into an outlet on a circuit different from that to which the receiver is connected.
- Consult the dealer or an experienced radio/TV technician for help.

You are cautioned that any changes or modifications not expressly approved in this manual could void your authority to operate this equipment.

Owner's Record

The model number and the serial number is located at the bottom in the battery compartment.

Record the serial number in the space provided below. Refer to these numbers whenever you call upon your Sony dealer regarding this product.

Model No. ZS-D55

Serial No. _____

Table of contents

Basic Operations

- 4 Playing a CD
 - 6 Listening to the radio
 - 8 Playing a tape
 - 10 Recording on a tape
-

The CD Player

- 13 Using the display
- 14 Locating a specific track
- 15 Playing tracks repeatedly (Repeat Play)
- 16 Playing tracks in random order (Shuffle Play)
- 17 Creating your own program (Program Play)
- 19 Playing a single track (Single Track Play)

The Radio

- 20 Presetting radio stations
- 21 Playing preset radio stations

The Tape Player

- 22 Finding the beginning of a track

The Audio Emphasis

- 23 Selecting the audio emphasis (SOUND/MEGA BASS)

The Timer

- 24 Setting the clock
- 25 Waking up to music
- 27 Falling asleep to music
- 28 Timer-recording radio programs

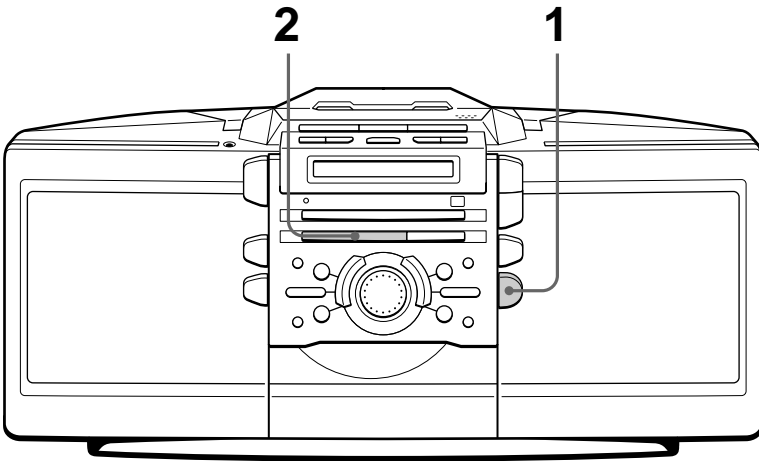
Setting Up

- 30 Choosing the power sources
- 32 Connecting optional components

Additional Information

- 35 Precautions
- 37 Troubleshooting
- 40 Maintenance
- 41 Specifications
- 42 Index

Playing a CD

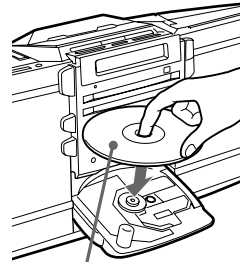


Connect the supplied AC power cord (see page 30).

1



Press ▲ CD OPEN/CLOSE (direct power-on) and place the CD on the CD tray until it clicks into place.



With the label side up

2



Press ▶||. (On the remote, press ▶ on the CD section.)

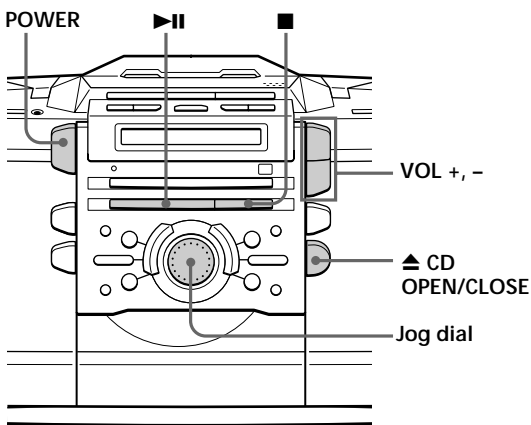
The CD tray closes and the player plays all the tracks once.

Display



Track number Playing time

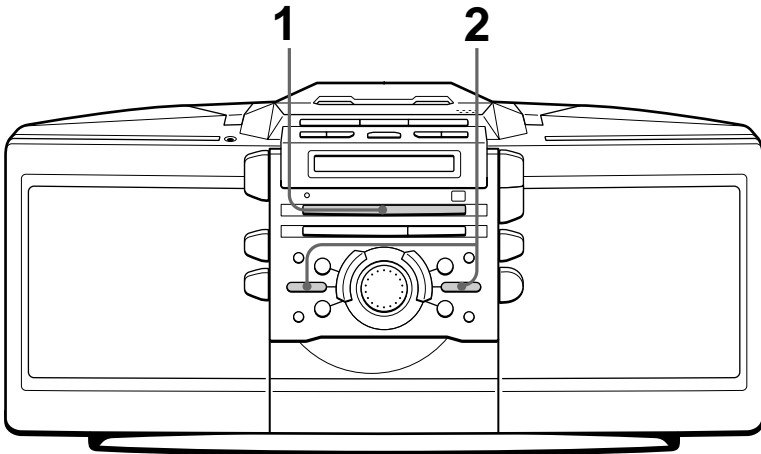
Use these buttons for additional operations

**Tip**

Next time you want to listen to a CD, just press ▶||. The player turns on automatically and starts playing the CD.

| To | Do this |
|-------------------------------|--|
| adjust the volume | Press VOL +, -. |
| stop playback | Press ■. |
| pause playback | Press ▶ (on the remote). Press again to resume play after pause. |
| go to the next track | Turn the jog dial clockwise. (On the remote, press ▶ .) |
| go back to the previous track | Turn the jog dial counterclockwise. (On the remote, press ◀ .) |
| remove the CD | Press ▲ CD OPEN/CLOSE. |
| turn on/off the player | Press POWER. |

Listening to the radio



Connect the supplied AC power cord (see page 30).

1



Press BAND until the band you want appears in the display (direct power-on).

Each time you press the button, the band changes as follows:
"FM1" → "FM2" → "AM".

Display



2



Hold down \leftarrow or \rightarrow (TUNE - or + on the remote) until the frequency digits begin to change in the display.

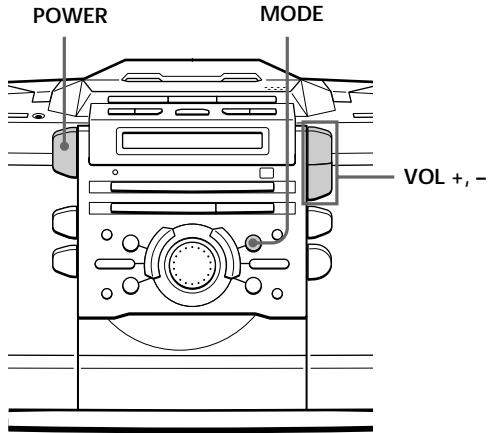
The player automatically scans the radio frequencies and stops when it finds a clear station.

If you cannot tune in a station, press the button repeatedly to change the frequency step by step.

Indicates an FM stereo broadcast.



Use these buttons for additional operations



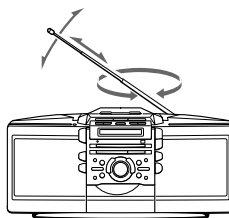
Tips

- The “FM1” and “FM2” bands have the same functions. You can store the stations you want separately in “FM1” and “FM2”.
- If the FM broadcast is noisy, press MODE until “Mono” appears in the display and the radio will play in monaural.
- Next time you want to listen to the radio, just press the BAND button. The player turns on automatically and starts playing the previous station.

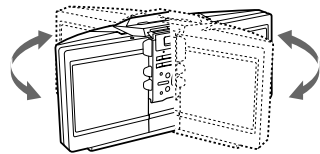
| To | Press |
|-----------------------|----------|
| adjust the volume | VOL +, - |
| turn on/off the radio | POWER |

To improve broadcast reception

Reorient the antenna for FM. Reorient the player itself for AM.

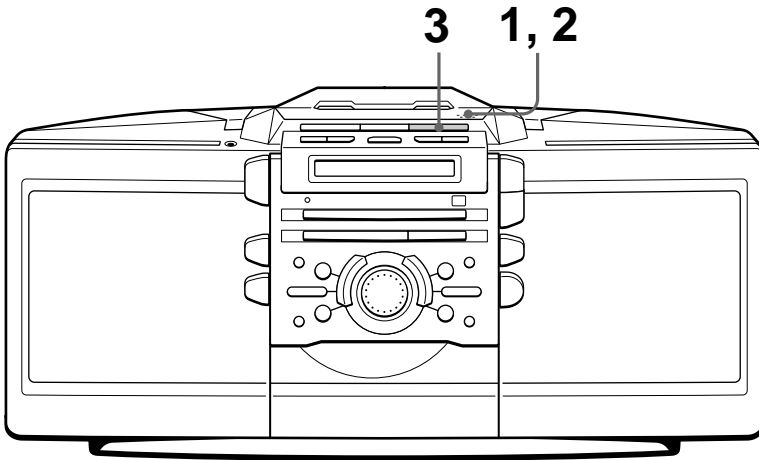


For FM



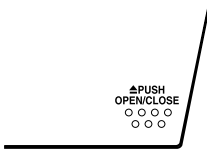
For AM

Playing a tape



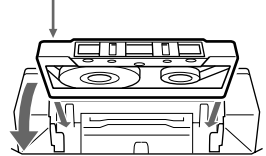
Connect the supplied AC power cord (see page 30).

1

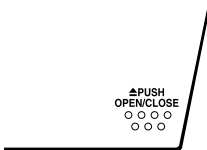


Press ▲ PUSH OPEN/CLOSE to open the tape compartment and insert a recorded tape. Use TYPE I (normal), TYPE II (high position) and TYPE IV (metal) tapes.

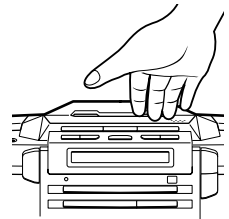
With the side you want to play facing up



2



Press ▲ PUSH OPEN/CLOSE to close the compartment.



3



Press ▶.
(On the remote, press TAPE ▶.)

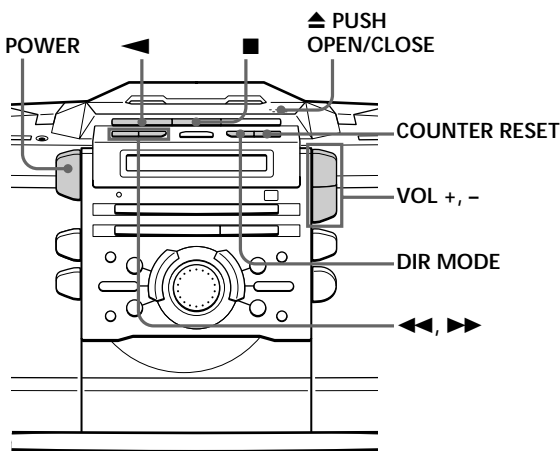
The player turns on (direct power-on) and starts playing.

Display



Tape counter

Use these buttons for additional operations



Tips

- Press COUNTER RESET to reset the counter to "000".
- Next time you want to listen to a tape, just press ► or ◀. The player turns on automatically and starts playing the tape.

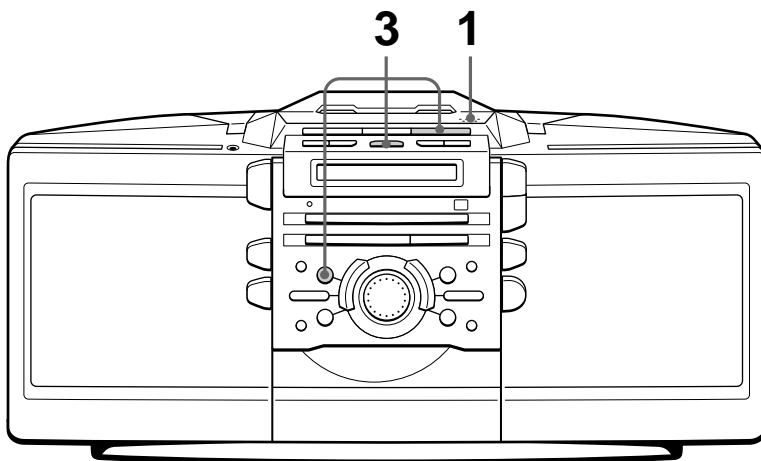
| To | Press |
|---------------------------------|-------------------|
| adjust the volume | VOL +, - |
| stop playback | ■ |
| play the reverse side | ◀ |
| fast-forward or rewind the tape | ▶▶ or ◀◀ |
| eject the cassette | ▲ PUSH OPEN/CLOSE |
| turn on/off the player | POWER |

To select the direction mode of the tape

Press DIR MODE repeatedly.

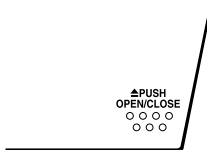
| To play | Display shows |
|---|---------------|
| one side of the tape | ⇌ |
| both sides of the tape from the upper side to reverse side only | ↻ |
| both sides of the tape repeatedly | ↻↻ |

Recording on a tape



Connect the supplied AC power cord (see page 30).
To record on a MiniDisc or DAT recorder, connect the component (see page 32).

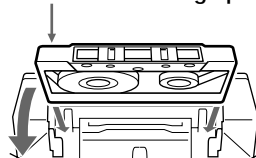
1



Press ▲ PUSH OPEN/CLOSE to open the tape compartment, and insert a blank tape. Use TYPE I (normal) tape only.

Press ▲ PUSH OPEN/CLOSE again to close the compartment.

With the side you want to record on facing up



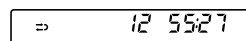
2



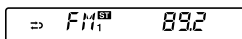
Select the program source you want to record.

To record from the CD player:
Insert a CD (see page 4) and press ■ on the CD section.

Display



To record from the radio:
Tune in the station you want (see page 6).



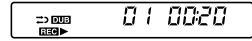
3



Start recording.

To record the whole CD

Press CD DUB. Recording starts on the upper side.



When ⇄ is displayed:

If the tape is reversed with the recording of the track unfinished, the player will record the track again from its beginning on the reverse side.

When ⇄ is displayed:

If the tape reaches to its end, the player stops.

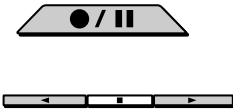
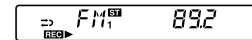
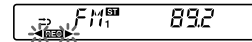
To record the radio

(You can also record the CD according to the following procedure. Play the CD after the tape starts recording.)

Press ●/|| and then ▶.

To record on the reverse side, press ◀.

(On the remote, while keeping ●/|| pressed, press TAPE ▶ or ◀.)



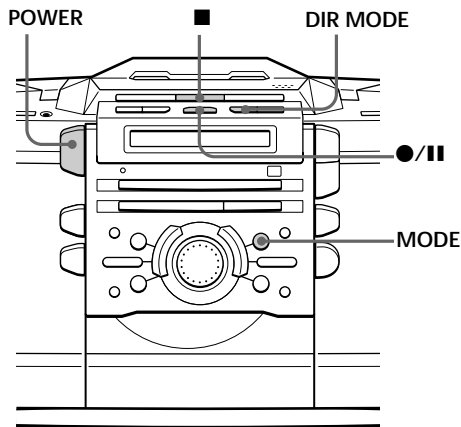
Note

On the player, press ▶ within 4 seconds after ●/|| is pressed.

continued

Recording on a tape (continued)

Use these buttons for additional operations



Tips

- Adjusting the volume or the audio emphasis (page 23) will not affect the recording level.
- When \leftrightarrow or $\langle \rightarrow$ is displayed, recording will be made on both sides of the tape. To record on one side, press DIR MODE to display \rightarrow .
- If the AM radio makes a whistling sound after you've pressed ●/|| in step 3, press MODE to select the position that most decreases the noise.
- To record the first track of the CD, press MODE to display "1TRACK", then press CD DUB.

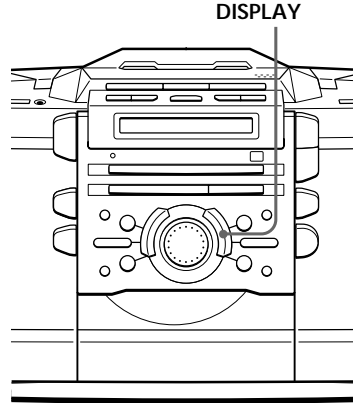
| To | Press |
|--|---|
| stop recording | ■ on the tape section |
| pause recording (Only when you started recording with ●/ button.) | ●/ Press the button again to resume recording. |
| turn on/off the player | POWER |

To erase a recording, proceed as follows:

- 1 Insert a tape you want to erase its recording into the tape deck and press ■ on the tape section.
- 2 On the player: press ●/|| and then ►.
On the remote: While keeping ●/|| pressed, press TAPE ►.

Using the display

You can check information about the CD using the display.



Checking the total track number and playing time

Press DISPLAY in stop mode.

Total track number



Total playing time

Checking the remaining time

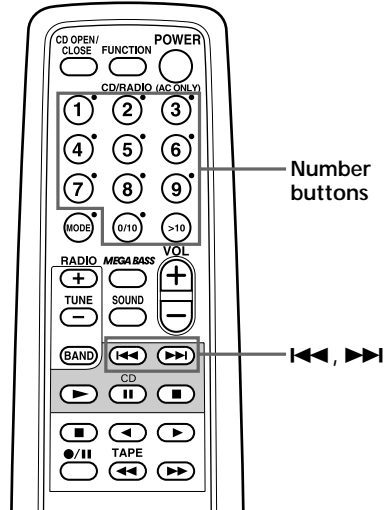
Press DISPLAY while playing a CD.

| To display | Press DISPLAY |
|---|---------------|
| the current track number and the remaining time on the current track* | once |
| the number of tracks left and remaining time on the CD | twice |
| the current track number and playing time | threetimes |

* For a track whose number is more than 20 the remaining time appears as "--:--".

Locating a specific track

You can quickly locate any track using the number buttons on the remote. You can also find a specific point in a track while playing a CD.



Note

You cannot locate a specific track if "SHUF" or "PGM" is lit in the display. Turn off the indication by pressing **■** on the CD section.

Tip

When you locate a track numbered over 10, press >10 first, then the corresponding number buttons.

Example:

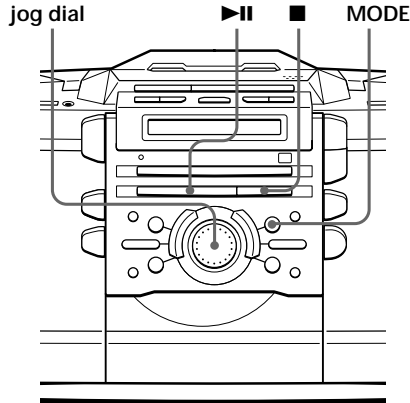
To play track number 23, press >10 first, then 2 and 3.

| To locate | Press |
|--------------------------------------|--|
| a specific track directly | number button of the track. |
| a point while listening to the sound | ◀◀ or ▶▶ while playing and hold down until you find the point. (On the player, use - ◀◀ or ▶▶ +.) |
| a point while observing the display | ◀◀ or ▶▶ in pause and hold down until you find the point. (On the player, use - ◀◀ or ▶▶ +.) |

Playing tracks repeatedly

(Repeat Play)

You can play tracks repeatedly in normal, single, shuffle or program play modes (see pages 16 - 17).



Note

When you repeat a single track or all the tracks, make sure neither "SHUF" nor "PGM" is lit in the display. If either is lit, turn it off by pressing ■ on the CD section.

On the remote

- Use ▶ on the CD section instead of ▶||.
- When you've selected "REP 1", select the track by pressing the number buttons.

- 1 Press ■ on the CD section.
"Cd" appears in the display.
- 2 Proceed as follows:

| To repeat | Do this |
|------------------------|---|
| asingletrack | <ol style="list-style-type: none"> 1 Press MODE until "REP 1" appears. 2 Select the track by turning the jog dial, then press ▶ . |
| all the tracks | <ol style="list-style-type: none"> 1 Press MODE until "REP ALL" appears. 2 Press ▶ . |
| tracks in random order | <ol style="list-style-type: none"> 1 Press MODE until "REP" and "SHUF" appear. 2 Press ▶ . |
| programed tracks | <ol style="list-style-type: none"> 1 Press MODE until "REP" and "PGM" appear. 2 Program tracks (see step 3 on page 17). 3 Press ▶ . |

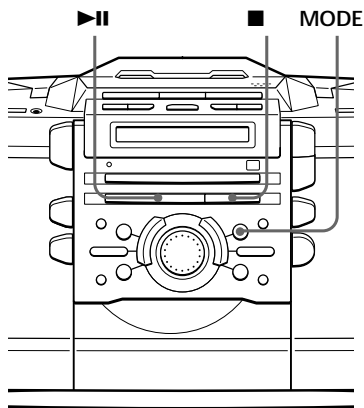
To cancel Repeat Play

Press MODE until "REP" disappears from the display.

Playing tracks in random order

(Shuffle Play)

You can play tracks in random order.



On the remote

Use ► on the CD section instead of ►||.

- 1** Press ■ on the CD section.
"Cd" appears in the display.
- 2** Press MODE until "SHUF" appears in the display.
- 3** Press ►||.

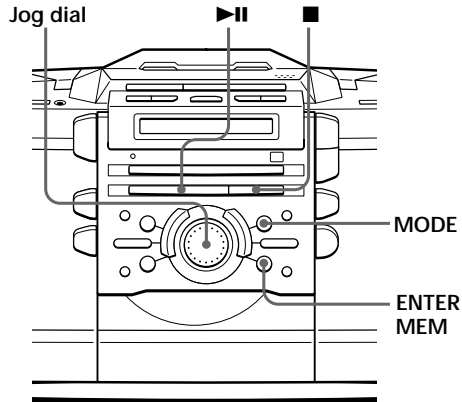
To cancel Shuffle Play

Press MODE until "SHUF" disappears from the display.

Creating your own program

(Program Play)

You can arrange the playing order of up to 20 tracks on a CD.



On the remote

- 1 Press ■ on the CD section.
- 2 Press MODE until "PGM" appears in the display.
- 3 Press the number buttons for the tracks you want to program in the order you want.
- 4 Press ► on the CD section.

Tip

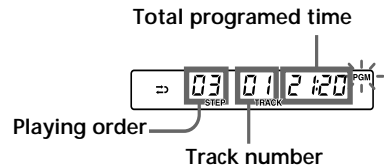
If you made a mistake, press CANCEL and select the track number again.

Note

When you program a track from the CD having more than 20 tracks:

If you program a track whose track number is more than 20, "- :- -" is displayed instead of the total programmed time.

- 1 Press ■ on the CD section.
"Cd" appears in the display.
- 2 Press MODE until "PGM" appears in the display.
- 3 Turn the jog dial to select the track you want to programme, and press ENTER•MEM.
Repeat this step.



- 4 Press ►.

continued

Creating your own program (Program Play) (continued)

Tips

- If the program play is finished, the program is saved. You can play the same program again by pressing **▶||** on the CD section.
- If you open the CD tray, the program is erased.
- You can record your own program.
 - 1 After you have created the program, insert a blank tape into the tape compartment.
 - 2 Press CD DUB.

To cancel Program Play

Press MODE until "PGM" disappears from the display.

To check the order of tracks before play

Press ENTER•MEM on the player.

Every time you press the button, the track number appears in the programmed order.

To change the current program

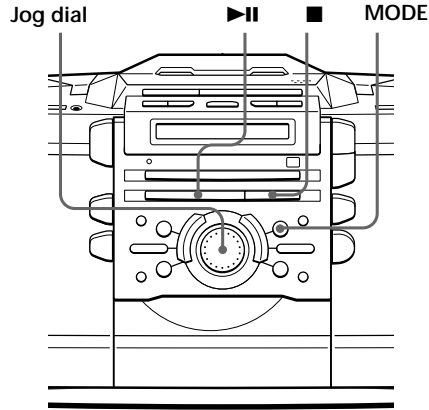
Change before starting the program play.

| To | Do this |
|-------------------------------------|--|
| erase the last track in the program | <ol style="list-style-type: none">1 Press CANCEL. Every time you press the button, the last track in the program is cleared.2 Re-enter the track numbers. |
| change the whole program completely | <ol style="list-style-type: none">1 Press ■ on the CD section to erase the whole program.2 Create a new program following the programming procedure. |

Playing a single track

(Single Track Play)

You can play a single track once, and stop the player automatically.



On the remote

- 1 Press ■ on the CD section.
- 2 Press MODE until "1TRACK" appears in the display.
- 3 Press the number buttons to select the track you want.

Tip

While "1TRACK" appears in the display, pressing CD DUB will record the single track only.

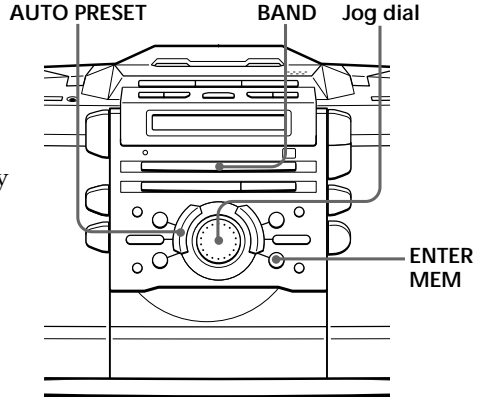
- 1 Press ■ on the CD section.
"Cd" appears in the display.
- 2 Press MODE until "1TRACK" appears in the display.
- 3 Turn the jog dial to select the track you want to play.
- 4 Press ▶||.

To cancel Single Track Play

Press MODE until "1TRACK" disappears from the display.

Presetting radio stations

You can store radio stations into the player's memory. You can preset up to 30 radio stations, 10 for each band in any order.



Tip

If you automatically preset the "FM1" or "FM2" band, 10 radio stations are stored in "FM1" band and 10 more radio stations are stored in "FM2" band.

- 1 Press BAND to select the band.
- 2 Hold down AUTO PRESET for 2 seconds until "AUTO" flashes in the display.

The stations are stored in memory from the lower frequencies as long as the station has a signal strong enough.



On the remote

- 1 Press BAND to select the band.
- 2 Press TUNE + or - to set the frequency to the station you want.
- 3 Press and hold the number button that you want to preset the new station on for 2 seconds.

If a station cannot be preset automatically

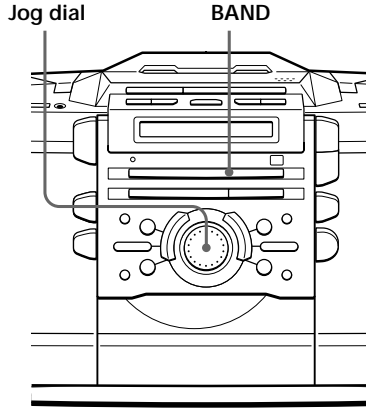
You need to preset a station with a weak signal manually.

- 1 Press BAND until the band you want appears in the display.
- 2 Press ENTER•MEM for 2 seconds until the digits flashes in the display.
- 3 Select the preset number you want to preset the new station on by turning the jog dial.
- 4 Press ENTER•MEM.
- 5 Press ◀◀ or ▶▶+ to set the frequency to the station you want.
- 6 Press ENTER•MEM again.

The new station replaces the old one.

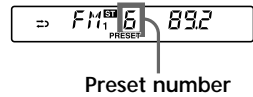
Playing preset radio stations

Once you've preset the stations, use the jog dial on the player or the number buttons on the remote to tune in your favorite stations.



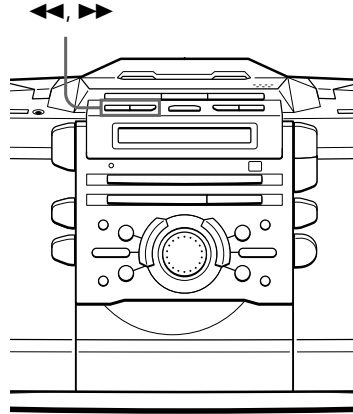
On the remote

- 1 Press BAND to select the band.
- 2 Turn the jog dial to display the preset number of the station you want.



Finding the beginning of a track

The player detects a blank between the tracks, and locates the beginning of the next/following track.



Notes

- To find the beginning of a track correctly, a blank of approx. 4 seconds between tracks is necessary.
- If a soft sound like pianissimo continues for some seconds in a track, the player may start to play as the next track.
- If you press the ▶▶ or ◀◀ when there is no sound in the track, this function does not operate correctly.

While playing a tape, press ▶▶ or ◀◀.

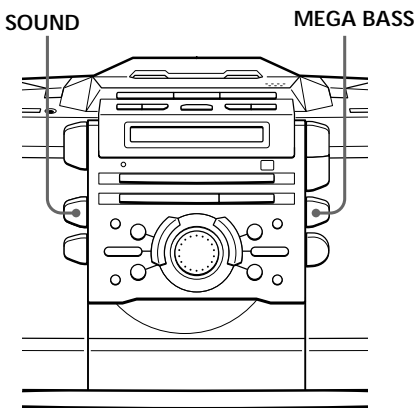
| Playing side | The beginning of the next track | The beginning of the current track |
|-------------------|---------------------------------|------------------------------------|
| Upperside(▶▶) | ▶▶ | ◀◀ |
| Reverseside(◀◀) | ◀◀ | ▶▶ |

The tape is wound or rewound to the beginning of the next or current track, and play will start automatically.

Selecting the audio emphasis

(SOUND/MEGA BASS)

You can adjust the audio emphasis of the sound you are listening to.



Selecting the sound characteristic

Press SOUND to select the audio emphasis you want.

| Choose | To get |
|--------|--|
| ROCK | powerful, clean sounds, emphasizing low and high range audio |
| POP | light, bright sounds emphasizing high and middle range audio |
| JAZZ | percussive sounds, emphasizing bass audio |
| VOCAL | the presence of vocals, stressing middle range audio |
| OFF | the whole dynamic range for music such as classical music |

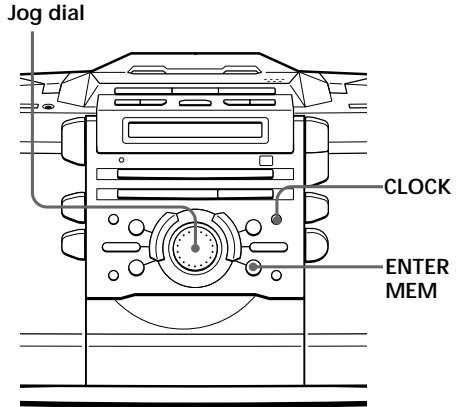
Reinforcing the bass sound

Press MEGA BASS.

"MEGA BASS" appears in the display. To return to normal sound, press the button again.

Setting the clock

“-:-:-” indication appears in the display until you set the clock.

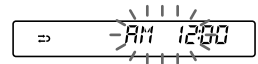


Tips

- The time display system of this player is the 12-hour system.
- When you operate the player on AC power, “.” flashes as long as the clock goes.

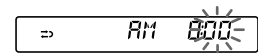
Before you begin, connect the power source (see pages 30 - 31).

1 Press and hold **CLOCK** until the hour digit flashes.

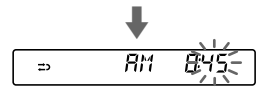


2 Set the clock.

① Turn the jog dial to set the hour and press **ENTER•MEM**.



② Turn the jog dial to set the minutes.

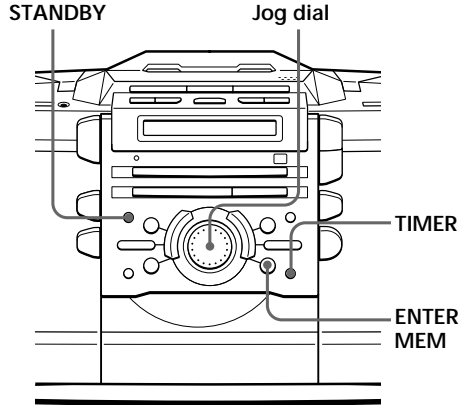


3 Press **ENTER•MEM**.

The clock starts from 00 seconds.

Waking up to music

You can wake up to music or a radio program at a preset time. Make sure you have set the clock (see "Setting the clock" on page 24).



Note

You cannot preset waking up timer and recording timer (page 28) at the same time.

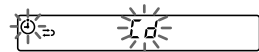
Before you begin, make sure the ⌚ (clock) indication is not lit in the display. If it is lit, press STANDBY.

- 1 Prepare the music source you want to play.

| Source | Do this |
|--------|--------------------|
| Cd | Insert a CD. |
| RAdIO | Tune in a station. |
| TAPE | Insert a tape. |

- 2 Press TIMER to display the ⌚ indication.

Do the following operations by checking the display.



- 3 Turn the jog dial until the music source you want to play ("Cd", "TAPE" or "RAdIO") appears in the display, and press ENTER•MEM.

continued

Waking up to music (continued)

Tip

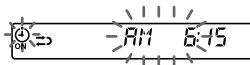
If you made a mistake, press CANCEL. The setting entered last will be cleared. Re-enter it.

Tips

- To exit the standby mode, press STANDBY to make the ⏻ indication disappear.
- The preset settings remain until you reset them.

4 Set the timer to the hour and the minutes you want the music to go on.

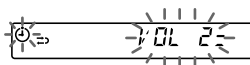
① Turn the jog dial to set the hour and press ENTER•MEM.



② Turn the jog dial to set the minutes and press ENTER•MEM.

5 Set the timer to the hour and the minutes you want the music to go off. (Do as step 4.)

6 Turn the jog dial to set the volume you want, and press ENTER•MEM.



7 Press STANDBY.

The ⏻ indication lights up and the power goes off; the player enters the standby mode.

At the preset time, the power will go on and music will play. Then the power will go off at the preset time, and the player will enter the standby mode again.

To check/change the waking up timer settings

Press TIMER, then ENTER•MEM. Each time you press ENTER•MEM, a stored setting is displayed in the set order. To change the setting, display the setting you want to change and re-enter it.

To use the player before a timer playback starts

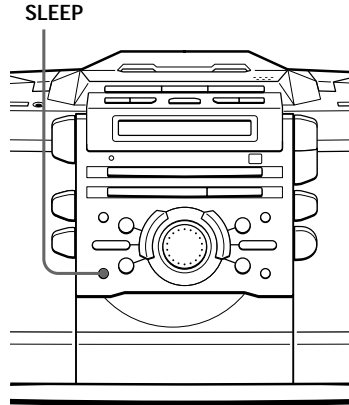
If you turn on the player, you can use it as usual (in case of the radio, if you listen to the station which is different from the one you tuned in step 1 on page 25, you will hear that station at the preset time.) Turn off the player before the preset time.

To stop play

Turn off the power.

Falling asleep to music

You can set the player to turn off automatically after 10, 20, 30, 60, 90 and 120 minutes, allowing you to fall asleep while listening to music.



Tips

- The display window dims while the sleeping timer is on.
- You can combine the waking up timer with the sleeping timer. Set the waking up timer first (page 25), turn on the power, and then set the sleeping timer.
- You can prepare the different music for the waking up timer and the sleeping timer. However, you cannot store different radio stations.
- You can set different volume for the waking up timer and the sleeping timer. For instance, you can sleep at lower volume and wake up at higher volume.

- 1 Play the music source you want.
- 2 Press SLEEP to display "SLEEP."
- 3 Press SLEEP to select the minutes until the player goes off automatically.

Each time you press the button, the indication changes as follows:



"60" → "90" → "120" → no indication → "10" → "20" → "30".

If 4 seconds have passed after you pressed SLEEP, the minutes in the display are stored in memory.

When the preset time has passed, music stops and the player goes off automatically.

To cancel the sleep function

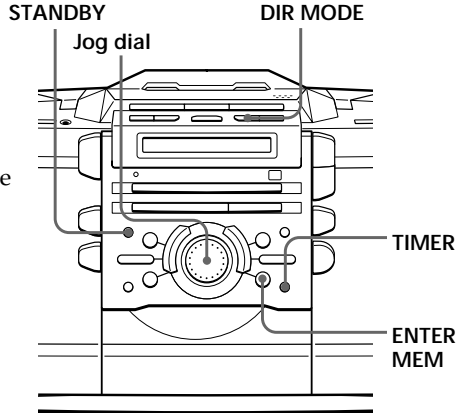
Press SLEEP to make "SLEEP" disappear from the display.

To change the preset time

Do the steps 2 and 3 again.

Timer-recording radio programs

You can set timer to record the radio at a certain time. Make sure you have set the clock (see "Setting the clock" on page 24).



Note

You cannot preset recording timer and waking up timer (page 25) at the same time.

Tips

- We recommend that you use AC power as the power source for optimum recording quality.
- When you receive the AM program in step 1, press ●/|| to check if the noise is heard. If so, press MODE to select the position that most decreases the noise.

Before you begin, make sure the ⌚ (clock) indication is not lit in the display. If it is lit, press STANDBY.

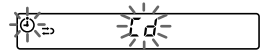
1 Tune in the radio station and insert a blank tape into the tape compartment with the side you want to record on facing up.

2 Press DIR MODE to select recording direction of the tape.

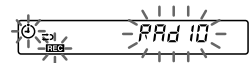
| | Display |
|-----------|---------|
| Oneside | → |
| Bothsides | ↔ |

3 Press TIMER to display the ⌚ indication.

Do the following operations by checking the display window.



4 Turn the jog dial to display "RAD IO" and "REC", and press ENTER•MEM.



Tip

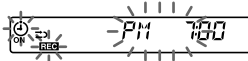
If you made a mistake, press CANCEL. The setting entered last will be cleared. Re-enter it.

Tips

- To exit the standby mode, press STANDBY twice to make the ☺ indication disappear.
- The preset settings remain until you reset them.
- When you select both sides recording, the recording will stop after the both sides recording finishes so that accidental recording will not be made.

- 5** Set the timer to the hour and the minutes you want to start recording.

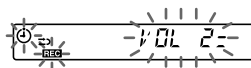
- ① Turn the jog dial to set the hour and press ENTER•MEM.



- ② Turn the jog dial to set the minutes and press ENTER•MEM.

- 6** Set the timer to the hour and the minutes you want to stop recording. (Do as step 5.)

- 7** Turn the jog dial to set the volume you want, and press ENTER•MEM.



- 8** Press STANDBY.

The power goes off and the player enters the standby mode. The ☺ indication and the recording side of the tape (upper side ► or reverse side ◀) appear in the display. To change the recording side, press STANDBY again.

At the preset time, the power will go on and the recording will start. Then the power will go off at the preset time, and the player will enter the standby mode again.

To check/change the recording timer settings

Press TIMER, then ENTER•MEM. Each time you press ENTER•MEM, a stored setting is displayed in the set order. To change the setting, display the setting you want to change and re-enter it.

To use the player before a timer-recording starts

If you turn on the player, you can use it as usual (in case of the radio, if you listen to the station which is different from the one you tuned in step 1 on page 28, you will record that station at the preset time.) Turn off the player before the preset time.

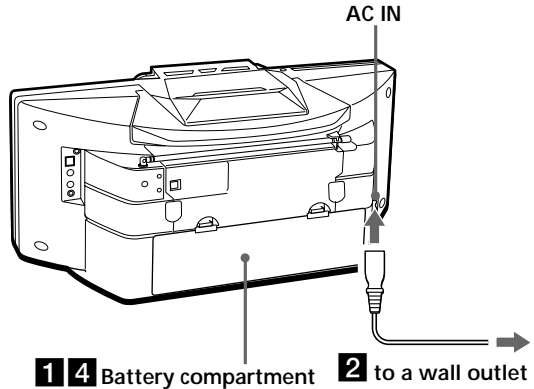
To stop timer-recording

Turn off the power.

Choosing the power sources

You can use the AC power or batteries as a power source.

Use the AC power source whenever you record since recording consumes much power.



1 **4** Battery compartment **2** to a wall outlet

Note

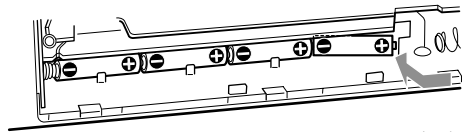
Be sure to turn off the power of the player before connecting/disconnecting the AC power cord or removing/inserting batteries.

Tip

With normal use, the back-up batteries should last for about six months when the player is operated on batteries. When the time display dims or when the timer function is disabled, replace all the batteries with new ones. To save the preset settings, replace the batteries with the AC power cord connected.

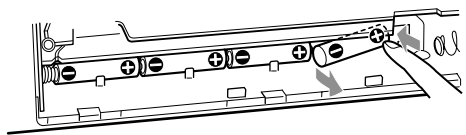
1 Inserting the back-up batteries

Insert four size AA (R6) batteries (not supplied) into the battery compartment. These batteries work to save the memory data.



Insert four size AA (R6) batteries (not supplied)

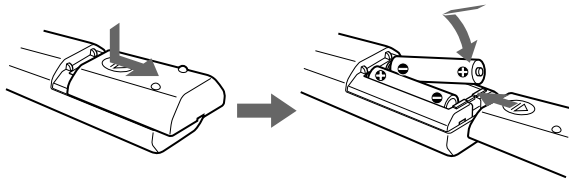
To remove the batteries, push the + side.



2 Connecting the AC power cord

Insert one end of the supplied AC power cord to the AC IN socket located at the rear of the player, and the other end to the wall outlet.

3 Inserting batteries into the remote



Insert two size AA (R6) batteries (not supplied)

Replacing batteries

With normal use, the batteries should last for about six months. When the remote no longer operates the player, replace all the batteries with new ones.

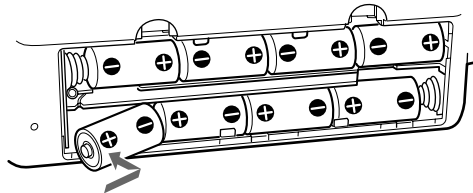
Notes

- You cannot operate the player on rechargeable batteries such as rechargeable Ni-Cd batteries or rechargeable Ni-MH batteries.
- When you insert or remove the batteries, disconnect the connecting cords and cables to prevent damaging them.
- When you operate the player on batteries,
 - the backlight in the display does not light.
 - you cannot turn on the player using the remote.

4 Using the player on batteries

Insert eight size D (R20) batteries (not supplied) into the battery compartment.

To use the player on batteries, disconnect the AC power cord from the player.



Insert eight size D (R20) batteries (not supplied)

Replacing batteries

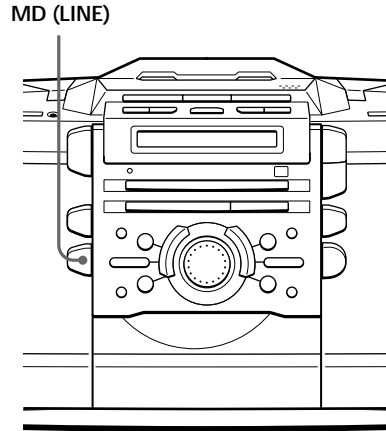
When the OPR/BATT indicator dims or when the player stops operating, replace all the batteries with new ones.

Connecting optional components

You can record a CD on a MiniDisc or enjoy the sound from a VCR, TV or MiniDisc player/recorder through the speakers of this player.

Be sure to turn off the power of each component before making connections.

For details, refer to the instruction manual of the component to be connected.



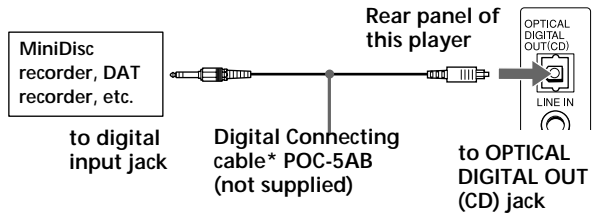
Note

Connect the cables firmly to avoid any malfunction.

Tip

While OPTICAL DIGITAL OUT (CD) jack is being used, keep the jack cover in the jack cover socket on the rear panel.

Recording a CD on a MiniDisc recorder and DAT recorder



* Select a connecting cable depending on the type of the digital input jack of the recorder to be connected. For details, refer to the instruction manual of the component to be connected. The OPTICAL DIGITAL OUT (CD) jack of this unit is square-shaped jack.

| The type of the jack of the component to be connected | Model number of the connecting cable |
|---|--------------------------------------|
| Optical miniplug (MiniDisc recorder, etc.) | POC-5AB |
| L-type 7-pin connector (DAT recorder, etc.) | POC-DA12P |
| Square-shaped optical connector (MiniDisc recorder, DAT recorder, etc.) | POC-10A |

Tip

To record a track from a number of different CDs, 1TRACK is useful (page 19).

- 1 Make connections.
- 2 Turn on this player and the connected component.
- 3 Do steps 1 through 3 on page 19.
- 4 Make the connected component ready for recording.
- 5 Start playing a CD on this player.

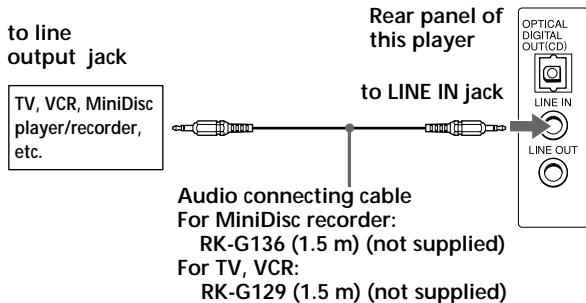
Notes

- As long as "Cd" appears in the display, the optical digital output jack is in operation and the jack lights even if the CD is in stop mode.
- If you play a CD-ROM that is not for audio use, noise may be heard.

Tip

You can record the sound of the connected component. Insert a blank tape into the tape compartment, and press ●/|| then ► (page 11).

- 1 Remove the jack cover from the OPTICAL DIGITAL OUT (CD) jack of this player and connect the jack with the digital input jack of the MiniDisc recorder or other component using the digital connecting cable (not supplied).
- 2 Turn on the power of this player and the connected component.
- 3 Make the connected component ready for recording.
- 4 Start playing a CD on this player.

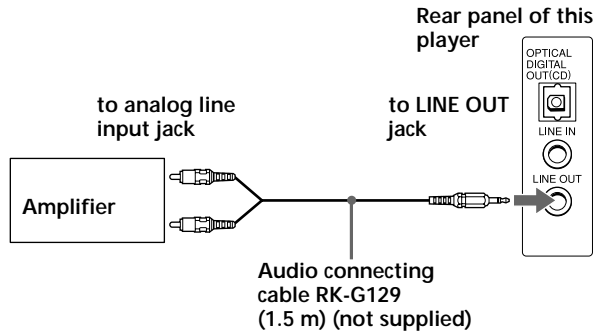
Listening to TV, VCR and MiniDisc player/recorder

- 1 Connect the LINE IN jack of this player with the line output jack of the MiniDisc player or other component using the audio connecting cable (not supplied).
- 2 Turn on the power of this player and the connected component.
- 3 Press MD (LINE) and start playing sound on the connected component.

The sound from the connected component is output from the speakers.

continued

Listening through the speakers of other audio equipment



- 1** Connect the LINE OUT jack of this player with the analog line input jack of the amplifier using the audio connecting cable (not supplied) .
- 2** Turn on the power of this player and the amplifier and start playing sound on this player.

Precautions

On safety

- As the laser beam used in the CD player section is harmful to the eyes, do not attempt to disassemble the casing. Refer servicing to qualified personnel only.
- Should any solid object or liquid fall into the player, unplug the player, and have it checked by qualified personnel before operating it any further.

On power sources

- For AC operation use the supplied AC power cord; do not use any other type.
- The player is not disconnected from the AC power source (mains) as long as it is connected to the wall outlet, even if the player itself has been turned off.
- Unplug the player from the wall outlet when it is not to be used for an extended period of time.
- For battery operation, use eight size D (R20) batteries.
- When the batteries are not to be used, remove them to avoid damage that can be caused by battery leakage or corrosion.
- The nameplate indicating operating voltage, power consumption, etc. is located at the bottom.

On placement

- Do not leave the player in a location near heat sources, or in a place subject to direct sunlight, excessive dust or mechanical shock.
- Do not place the player on an inclined or unstable place.
- Do not place anything within 10 mm of the side of the cabinet. The ventilation holes must be unobstructed for the player to operate properly and prolong the life of its components.
- If the player is left in a car parked in the sun, be sure to choose a location in the car where the player will not be subjected to the direct rays of the sun.
- Since a strong magnet is used for the speakers, keep personal credit cards using magnetic coding or spring-wound watches away from the player to prevent possible damage from the magnet.

On operation

- If the player is brought directly from a cold to a warm location, or is placed in a very damp room, moisture may condense on the lenses inside the CD player section. Should this occur, the player will not operate properly. In this case, remove the CD and wait about an hour for the moisture to evaporate.
- If the player has not been used for a long time, set it in the playback mode to warm it up for a few minutes before inserting a cassette.

If you have any questions or problems concerning your player, please consult your nearest Sony dealer.

continued

Precautions (continued)

Notes on CDs

- Before playing, clean the CD with a cleaning cloth. Wipe the CD from the center out.

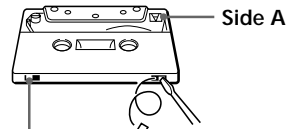


- Do not use solvents such as benzene, thinner, commercially available cleaners or anti-static spray intended for vinyl LPs.
- Do not expose the CD to direct sunlight or heat sources such as hot air ducts, nor leave it in a car parked in direct sunlight as there can be a considerable rise in temperature inside the car.
- Do not stick paper or sticker on the CD, nor scratch the surface of the CD.
- After playing, store the CD in its case.

If there is a scratch, dirt or fingerprints on the CD, it may cause tracking error.

Notes on cassettes

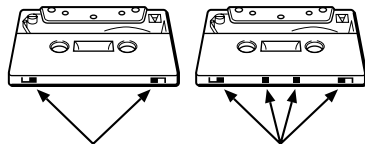
- Break off the cassette tab from side A or B to prevent accidental recording. If you want to reuse the tape for recording, cover the broken tab with adhesive tape.



Tab for side B

Tab for side A

- Take care not to cover the detector slots on TYPE II (high position) or TYPE IV (metal) cassettes. If the slots are covered, the automatic tape selection system will not operate correctly.



TYPE II (high position) detector slots

TYPE IV (metal) detector slots

- The use of a cassette with more than 90 minutes of play time is not recommended except for long, continuous recording or playback.

Troubleshooting

| | Symptom | Remedy |
|-----------|---|--|
| General | There is no audio. | <ul style="list-style-type: none"> • Press POWER to turn on the player. • Connect the AC power cord to the AC IN socket and a wall outlet securely. • Make sure the batteries are inserted correctly. • Replace all the batteries with new ones if they are weak. • Insert dry batteries. You cannot operate the player on rechargeable batteries such as rechargeable Ni-Cd batteries or rechargeable Ni-MH batteries. • Adjust the volume. • Unplug the headphones when listening through speakers. |
| | The power is turned off automatically. | <ul style="list-style-type: none"> • Replace all the batteries with new ones. |
| | Unusual sound is heard. The sound is noisy, weak or has poor quality. | <ul style="list-style-type: none"> • Replace all the batteries with new ones if they are weak. |
| | Noise is heard. | <ul style="list-style-type: none"> • Someone is using a portable telephone or other equipment that emits radio waves near the player. → Move the portable telephone, etc., away from the player. |
| | “bAttEry” and “CHECK” flashes alternately in the display. | <ul style="list-style-type: none"> • The batteries are not fitted in the correct direction. Re-insert the batteries correctly. |
| CD Player | The CD does not play. | <ul style="list-style-type: none"> • Make sure that the CD compartment is closed. |
| | “no DISC” lights in the display even when a CD is in place. | <ul style="list-style-type: none"> • Place the CD with the label surface up. • Clean the CD. • Take out the CD and leave the CD compartment open for about an hour to dry moisture condensation. • Press ■ on the CD section to switch the function of the player to “Cd”. • You cannot play CD-RW on the player. |
| | The sound drops out. | <ul style="list-style-type: none"> • Reduce the volume. • Clean the CD, or replace it if the CD is badly damaged • Place the player in a location free from vibration. • The sound may drop out or noise may be heard if the CD is recorded using a personal computer (CD-R, etc.). |
| | When listening to the CD, the TV or radio becomes noisy. | <ul style="list-style-type: none"> • Move the player away from the TV or radio. |

continued

Troubleshooting (continued)

| | Symptom | Remedy |
|--------------------|--|--|
| Radio | The audio is not stereo. | <ul style="list-style-type: none"> • Press MODE until “STEREO” appears. |
| | The audio is weak or has poor quality. | <ul style="list-style-type: none"> • Depending on the FM reception conditions, noise may be heard. • Replace all the batteries with new ones if they are weak. • Move the player away from the TV. • If you are using the remote while listening to AM radio, noise may be heard. This is unavoidable. |
| | The picture of your TV becomes unstable. | <ul style="list-style-type: none"> • If you are listening to an FM program near the TV with an indoor antenna, move the player away from the TV. |
| | The tape does not move when you press an operation button. | <ul style="list-style-type: none"> • Insert the tape properly and close the tape compartment securely. • Replace all the batteries with new ones. |
| Tape Player | The ●/ button does not function/The tape does not play. | <ul style="list-style-type: none"> • Make sure the safety tab of the tape in the tape compartment is in place. • Press ■ on the TAPE section to switch the function of the player to “TAPE”. |
| | The tape does not erase completely. | <ul style="list-style-type: none"> • Clean the erasing heads (see page 40). • The source which was recorded on TYPE II (high position) or TYPE IV (metal) tape using this unit is being played. Record on TYPE I (normal) tape and play. |
| | The tape does not record. | <ul style="list-style-type: none"> • Make sure the tape is inserted properly. • Make sure the safety tab of the tape in the tape compartment is in place. |
| | The audio is weak/The audio quality is poor. | <ul style="list-style-type: none"> • Clean the heads, pinch rollers and capstans (See page 40). • Demagnetize the heads using a demagnetizer (see page 40). • Replace all the batteries with new ones if they are weak. |
| | The tape player cannot be paused during playback. | <ul style="list-style-type: none"> • The tape player can be paused during recording only. |

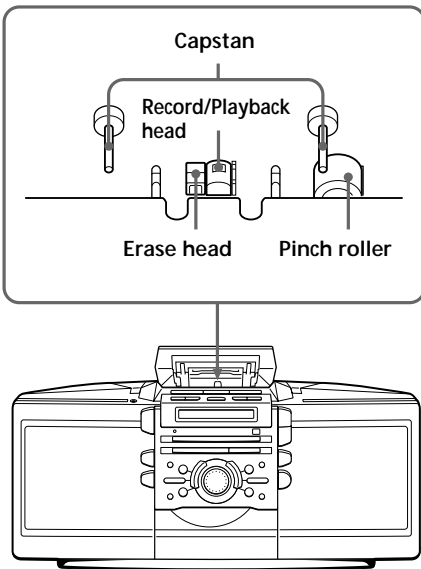
| | Symptom | Remedy |
|-------|-------------------------------|--|
| Timer | The timer does not operate. | <ul style="list-style-type: none"> • Make sure the time on the clock is correct. • Replace all the batteries in the player including the back-up batteries with new ones if they are weak. • Check to see if the AC power had been cut off. • Make sure the tape has not wound to the end. • Make sure the ⌚(clock) indication is displayed. |
| | The remote does not function. | <ul style="list-style-type: none"> • Replace all the batteries in the remote with new ones if they are weak. • Make sure that you are pointing the remote at the remote sensor on the player. • Remove any obstacles in the path of the remote and the player. • Make sure the remote sensor is not exposed to strong light such as direct sunlight or fluorescent lamp light. • Move closer to the player when using the remote. |

The player uses a built-in micro computer for its various operations. Due to change in power supply conditions, etc., operation may sometimes become unstable. After trying the above remedies, if the player still does not function properly, unplug the AC power cord and remove all the batteries. After all indications in the display disappear, plug the AC power cord and insert the batteries again. If the problem persists, please consult your nearest Sony dealer.

Maintenance

Cleaning the tape heads and tape path

Wipe the heads, the pinch rollers and the capstans with a cleaning swab slightly moistened with cleaning fluid or alcohol after every 10 hours of operation for optimum playback and recording quality. To make the best possible recording, however, we recommend that you clean all surfaces over which tape travels before each recording.



After cleaning, insert a tape when the areas cleaned are completely dry.

Demagnetizing the tape heads

After 20 to 30 hours of use, enough residual magnetism will have built up on the tape heads to begin to cause loss of high frequency sound and hiss. At this time, you should demagnetize the heads and all metal parts in the tape path with a commercially available tape head demagnetizer.

Cleaning the cabinet

Clean the cabinet, panel and controls with a soft cloth slightly moistened with a mild detergent solution. Do not use any type of abrasive pad, scouring powder, or solvent, such as alcohol or benzene.

Specifications

AUDIO POWER SPECIFICATIONS

POWER OUTPUT AND TOTAL

HARMONIC DISTORTION

With 12 Ω loads, both channel driven from 150 - 6 300 Hz; rated 4 W per channel - minimum RMS power, with no more than 10 % total harmonic distortion in AC operation.

Other Specifications

CD player section

System

Compact disc digital audio system

Laser diode properties

Material: GaAlAs

Wave length: 780 nm

Emission duration: Continuous

Laser output: Less than 44.6 μ W (This output is the value measured at a distance of about 200 mm from the objective lens surface on the optical pick-up block with 7 mm aperture.)

Spindle speed

200 r/min (rpm) to 500 r/min (rpm) (CLV)

Number of channels

2

Frequency response

20 - 20 000 Hz +0.5/-1.2 dB

Wow and flutter

Below measurable limit

Radio section

Frequency range

FM: 87.6 - 108 MHz

AM: 530 - 1 710 kHz

Antennas

FM: Telescopic antenna

AM: Built-in ferrite bar antenna

Cassette-corder section

Recording system

4-track 2 channel stereo

Fast winding time

Approx. 112 s (sec.) with Sony cassette C-60

Frequency response

TYPE I (normal): 50 - 15 000 Hz

General

Speaker

Full range: 8 cm (3 1/4 in.) dia., 12 Ω , cone type x 2

Input

LINE IN jack (stereo minijack)

Minimum input level 138 mV

Outputs

Headphones jack (stereo minijack)

For 8 - 32 Ω impedance headphones

LINE OUT jack (stereo minijack)

Rated output level 138 mV at load impedance 47 k Ω

OPTICAL DIGITAL OUT (CD) (optical output connector)

Wavelength: 630 - 690 nm

Power output (excluding US model)

4.5 W + 4.5 W (at 12 Ω , 10% harmonic distortion)

Power requirements

For personal audio system:

120 V AC, 60 Hz

12 V DC, 8 size D (R20) batteries

For memory back-up:

6 V DC, 4 size AA (R6) batteries

For remote control:

3 V DC, 2 size AA (R6) batteries

Power consumption

AC 22 W

Battery life

For personal audio system

FM recording

Sony R20P: approx. 6 h

Sony alkaline LR20: approx. 12 h

Tap playback

Sony R20P: approx. 3 h

Sony alkaline LR20: approx. 6 h

CD playback

Sony R20P: approx. 1.5 h

Sony alkaline LR20: approx. 3 h

Dimensions (incl. projecting parts)

Approx. 486 x 244 x 177 mm (w/h/d)

(17 1/10 x 9 3/5 x 6 7/10 inches)

Mass (incl. batteries)

Approx. 5.7 kg (12 lb. 9 oz)

Supplied accessories

AC power cord (1)

Remote control (1)

Design and specifications are subject to change without notice.

Optional accessories

Sony MDR headphone series

Index

A

Audio emphasis 23

B

Batteries

for memory 30

for player 31

for remote 31

C

CD Player 13

Cleaning

cabinet 40

CD 36

tape heads and path 40

Connecting

AC power cord 30

optional components
32

Creating your own
program 17

D, E, F, G, H

Demagnetizing the tape
heads 40

Display 13

I, J, K

Improving broadcast
reception 7

L

Listening

through the speakers of
other audio equi 34

to the radio 6

to the TV, VCR and
MD player 33

Locating

a specific track 14

the beginning of a track
22

M, N, O

MEGA BASS 23

P, Q

Playing

a CD 4

a single track 19

a tape 8

preset radio stations 21

tracks in random order
16

tracks repeatedly 15

Presetting radio stations
20

Program Play 17

R

Radio stations

playing 21

presetting 20

Recording

all the tracks on CD 11

on a tape 10

on an MD or a DAT 32

programed tracks 19

timer-recording radio
programs 28

Repeat Play 15

S

Selecting

audio emphasis 23

power sources 30

tracks 5, 14

Setting the clock 24

Setting up 30

Shuffle Play 16

SOUND 23

Sound mode 23

T

Tape Player 22

Timer

falling asleep to music
27

recording radio
programs 28

waking up to music 25

Troubleshooting 37

U, W, X, Y, Z

Using the display 13

Free Manuals Download Website

<http://myh66.com>

<http://usermanuals.us>

<http://www.somanuals.com>

<http://www.4manuals.cc>

<http://www.manual-lib.com>

<http://www.404manual.com>

<http://www.luxmanual.com>

<http://aubethermostatmanual.com>

Golf course search by state

<http://golfingnear.com>

Email search by domain

<http://emailbydomain.com>

Auto manuals search

<http://auto.somanuals.com>

TV manuals search

<http://tv.somanuals.com>