

PERSONAL AUDIO SYSTEM

Operating Instructions



©2012 Sony Corporation Printed in China <http://www.sony.net/>

ZS-BTY50

WARNING

To reduce the risk of fire or electric shock, do not expose this apparatus to rain or moisture.

To reduce the risk of fire or electric shock, do not expose this apparatus to dripping or splashing, and do not place objects filled with liquids, such as vases, on the apparatus.

As the main plug is used to disconnect the unit from the mains, connect the unit to an easily accessible AC outlet. Should you notice an abnormality in the unit, disconnect the main plug from the AC outlet immediately.

The unit is not disconnected from the AC power source (mains) as long as it is connected to the wall outlet, even if the unit itself has been turned off.

Do not install the appliance in a confined space, such as a bookcase or built-in cabinet.

Excessive sound pressure from earphones and headphones can cause hearing loss.

Do not expose the batteries (battery pack or batteries installed) to excessive heat such as sunshine, fire or the like for a long time.

The nameplate is located on the bottom exterior.

Owner's Record

The model and serial numbers are located on the bottom of the unit. Record these numbers in the space provided below. Refer to them whenever you call upon your Sony dealer regarding this product.

Model No. ZS-BTY50
Serial No. _____

Important Safety Instructions

- 1) Read these instructions.
- 2) Keep these instructions.
- 3) Heed all warnings.
- 4) Follow all instructions.
- 5) Do not use this apparatus near water.
- 6) Clean only with dry cloth.
- 7) Do not block any ventilation openings. Install in accordance with the manufacturer's instructions.
- 8) Do not install near any heat sources such as radiators, heat registers, stoves, or other apparatus (including amplifiers) that produce heat.
- 9) Do not defeat the safety purpose of the polarized or grounding-type plug. A polarized plug has two blades with one wider than the other. A grounding type plug has two blades and a third grounding prong. The wide blade or the third prong are provided for your safety. If the provided plug does not fit into your outlet, consult an electrician for replacement of the obsolete outlet.
- 10) Protect the power cord from being walked on or pinched particularly at plugs, convenience receptacles, and the point where they exit from the apparatus.
- 11) Only use attachments/accessories specified by the manufacturer.
- 12) Use only with the cart, stand, tripod, bracket, or table specified by the manufacturer, or sold with the apparatus. When a cart is used, use caution when moving the cart/apparatus combination to avoid injury from tip-over.
- 13) Unplug this apparatus during lightning storms or when unused for long periods of time.
- 14) Refer all servicing to qualified service personnel. Servicing is required when the apparatus has been damaged in any way, such as power-supply cord or plug is damaged, liquid has been spilled or objects have fallen into the apparatus, the apparatus has been exposed to rain or moisture, does not operate normally, or has been dropped.



This symbol is intended to alert the user to the presence of uninsulated "dangerous voltage" within the product's enclosure that may be of sufficient magnitude to constitute a risk of electric shock to persons.



This symbol is intended to alert the user to the presence of important operating and maintenance (servicing) instructions in the literature accompanying the appliance.

This graphical symbol is located on the bottom of the unit.

CAUTION

You are cautioned that any changes or modifications not expressly approved in this manual could void your authority to operate this equipment.

This equipment must not be co-located or operated in conjunction with any other antenna or transmitter.

This equipment complies with FCC/IC radiation exposure limits set forth for an uncontrolled environment and meets the FCC radio frequency (RF) Exposure Guidelines in Supplement C to OET65 and RSS-102 of the IC radio frequency (RF) Exposure rules.

This equipment has very low levels of RF energy that it deemed to comply without maximum permissive exposure evaluation (MPE). But it is desirable that it should be installed and operated keeping the radiator at least 20 cm or more away from person's body (excluding extremities: hands, wrists, feet and ankles).



This symbol is intended to alert the user to the presence of uninsulated "dangerous voltage" within the product's enclosure that may be of sufficient magnitude to constitute a risk of electric shock to persons.



This symbol is intended to alert the user to the presence of important operating and maintenance (servicing) instructions in the literature accompanying the appliance.

This graphical symbol is located on the bottom of the unit.

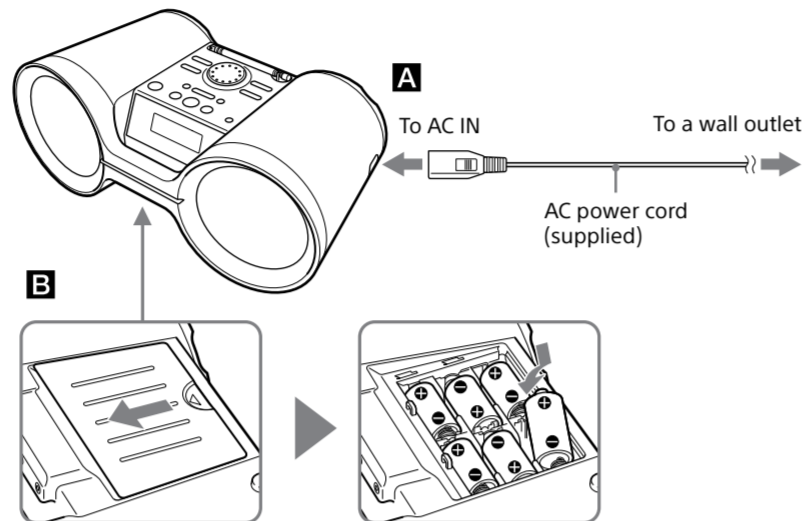
Notice for the customers in Canada

This device complies with Industry Canada licence-exempt RSS standard(s). Operation is subject to the following two conditions: (1) this device may not cause interference, and (2) this device must accept any interference, including interference that may cause undesired operation of the device.

Power Sources

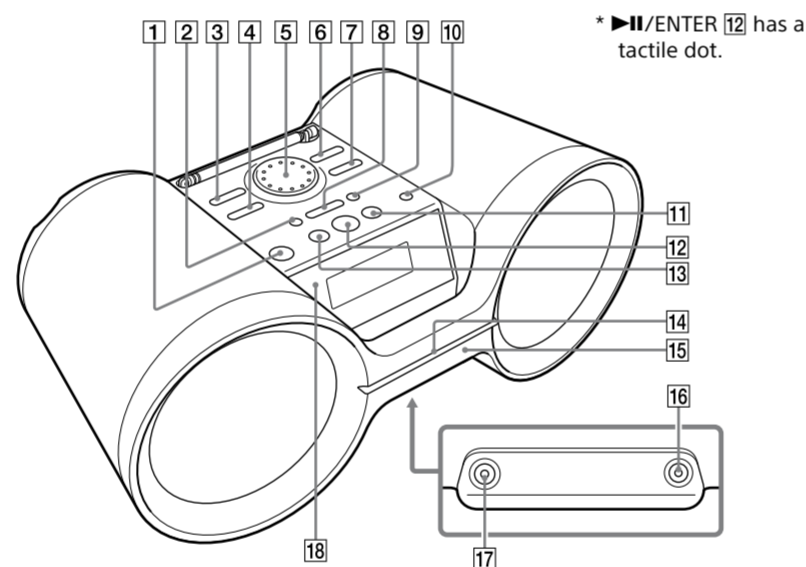
Using the AC power cord

Connect the AC power cord **A**, or insert six R14 (size C) batteries (not supplied) into the battery compartment **B**.



- Notes**
- Replace the batteries when the OPR/BATT indicator **18** dims, or when the unit becomes inoperable. Replace all the batteries with new ones. Before you replace the batteries, be sure to disconnect any optional component from the unit.
 - To use the unit on batteries, disconnect the AC power cord from the unit and the wall outlet.

Location of Controls

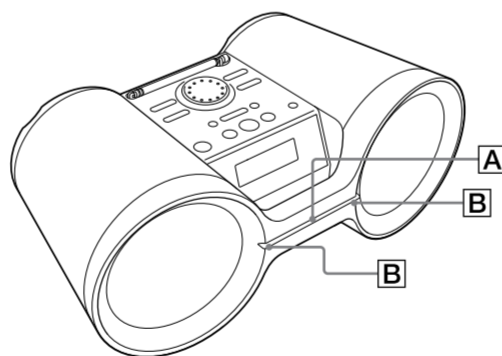


Illumination

The illumination on the handle has the following two features.

Indication of function change (A)
When you switch to one of four functions, the illumination increases in intensity to notify the user of function change. The illumination is blue for Bluetooth and white for other functions.

Lighting effects for audio output (B)
Lighting effects, in red, are created that synchronize with the music source. You can turn this function on or off as desired (See "Turning off the light sync function").



Before Using the Unit

To turn the power on or off

Press POWER **1**. You can also turn on the power of this unit using the direct power-on function (below).

In this manual, operations are mainly explained using the direct power-on function.

To use the direct power-on function

Press BLUETOOTH **4**, FM **7**, AM **6** or AUDIO IN **3** while the unit is turned off. The power turns on directly in the selected function.

Under Industry Canada regulations, this radio transmitter may only operate using an antenna of a type and maximum (or lesser) gain approved for the transmitter by Industry Canada. To reduce potential radio interference to other users, the antenna type and its gain should be so chosen that the equivalent isotropically radiated power (e.i.r.p.) is not more than that necessary for successful communication.

To adjust the volume

Turn VOLUME control **5** clockwise (+) or counter clockwise (-). The volume level of this unit is adjustable in steps from 0 to 31. For the 31st step, "VOL MAX" is displayed.

To listen through headphones

Connect headphones to the **17** (headphones) jack **17**.

To reinforce the bass

Press MEGA BASS **10**. "MEGA BASS" lights up on the display. To return to normal sound, press the button again.

Basic Operations

Turning off the light sync function

The light sync function of this unit creates lighting effects that synchronize with the music source. By default, this function is on but you can turn it off as desired.

Press LIGHT SYNC **9** until "LIGHT SYNC OFF" appears on the display.

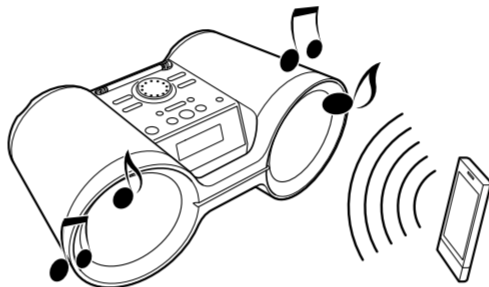


To turn on the function, press the button again until "LIGHT SYNC ON" appears while a music source is being output in any function.

Listening to music wirelessly on a Bluetooth device

Using the Bluetooth connection, you can listen to music from wirelessly connected Bluetooth devices such as mobile phones, smartphones, music players, etc.

This unit supports non-NFC compatible Bluetooth devices (hereafter "Bluetooth device(s)") and NFC-compatible smartphones.



Compatible Bluetooth devices

Compatibility requirements for the devices are as follows. Before using with this unit, check that your device meets the requirements.

- Devices must conform to Bluetooth Standard version 3.0.
- Devices must support A2DP (Advanced Audio Distribution Profile) and AVRCP (Audio/Video Remote Control Profile).
- NFC capability (required only when using the NFC pairing function of the unit).

For the latest information on compatible Bluetooth devices, including NFC-compatible smartphones, check the website below.

For customers in the U.S.A.:
<http://www.esupport.sony.com/>

For customers in Canada:
(English)
<http://www.sony.ca/ElectronicsSupport/>
(French)
<http://fr.sony.ca/ElectronicsSupport/>

Pairing

Bluetooth devices must be "paired" with each other beforehand. Once Bluetooth devices are paired, there is no need for pairing again, unless pairing information is cleared. With this unit, up to 9 Bluetooth devices can be paired. If your device is an NFC-compatible smartphone, the manual pairing procedure is not necessary. Use the smartphone with this unit along with the procedures described under "To connect with a smartphone by one touch (NFC)." When using the Bluetooth function, pay attention to the Bluetooth status indicator **8** on the display, which tells you the network status between the unit and your device.

Indications for the Bluetooth function

Status	Bluetooth indicator 8
Bluetooth connection is off	Off
Pairing or communicating	Flashes
Connection is established	Constantly on

To pair with a Bluetooth device

Keep the Bluetooth device and the unit within 1 meter (39 3/8 in) of each other for this operation.

- 1 Press BLUETOOTH **4** to turn on the Bluetooth function.
- 2 Press and hold BLUETOOTH · PAIRING **4** to activate the pairing mode of the unit. When pairing mode is activated, a double-beep will sound and the Bluetooth indicator **8** will flash on the display. If activation fails, press and hold BLUETOOTH · PAIRING **4** again, and try to activate the pairing mode again. To cancel the pairing mode after activation, press BLUETOOTH · PAIRING **4** at least 2 seconds.
- 3 Perform the pairing procedure on the Bluetooth device.

Turn on the Bluetooth device and activate the Bluetooth function on your device. For details, refer to the instruction manual of your Bluetooth device.

When the Bluetooth function of your device is activated, your device will search for pairable devices and display a list of detected devices on the device display. Select this unit from the list. This unit appears as "ZS-BTY50/52/55." If "ZS-BTY50/52/55" is not displayed, repeat the procedure from step 2.

If a passcode is required

Some Bluetooth devices may require a 4-digit passcode. If your device requires the passcode, enter "0000."

When pairing of the device is completed and the Bluetooth connection is established, the Bluetooth indicator **8** stops flashing and "BT AUDIO" appears on the display.



If you want to pair with another Bluetooth device, repeat steps 1 to 3.

Notes on pairing with a Bluetooth device

- If you turn off the unit or power off the Bluetooth device before the Bluetooth connection is established, pairing information will not be stored, and pairing will not be completed.
- Pairing mode is canceled after about 5 minutes. If pairing mode is canceled halfway, start over from step 2.
- The operation and display may differ depending on the Bluetooth device or the version of Bluetooth software installed.
- "Passcode" may be called "Passkey," "PIN code," "PIN number" or "Password," etc., depending on the Bluetooth device. For details on the passcode, refer to the instruction manual of your device.

To connect with a smartphone by one touch (NFC)

By touching the unit with an NFC-compatible smartphone, the unit is turned on automatically, and then proceeds to complete pairing and the Bluetooth connection automatically.

Compatible smartphones

Smartphones with a built-in NFC function (OS: Android 2.3.3 or later, excluding Android 3.x)

What is "NFC"?

NFC (Near Field Communication) is a technology enabling short-range wireless communication between various devices, such as mobile phones and IC tags. Thanks to the NFC function, data communication can be achieved easily just by touching the designated touchpoint on the NFC-compatible devices.

- 1 Download and install the app "NFC Easy Connect."

"NFC Easy Connect" is a free app for Android smartphones that can be obtained on Google Play. Search for the app using the keyword "NFC Easy Connect" on the site, or access the download site directly by reading the two-dimensional code below. Note that "NFC Easy Connect" is free but data communication fees when downloading are charged separately.

Two-dimensional code* for direct access

* Use a two-dimensional code reader app.

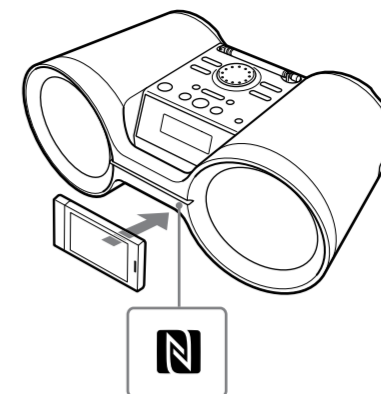


Note

The App may not be available in some countries and/or regions.

- 2 Start the app "NFC Easy Connect" on the smartphone. Make sure that the application screen is displayed.
- 3 Touch the smartphone to the N-marked part **15** of the unit until the smartphone vibrates.

Vibration cue is provided when the smartphone is recognized by the unit.



After being recognized by the unit, follow the on-screen instructions displayed on the smartphone, and complete the procedure for Bluetooth connection.

When the Bluetooth connection is established, the Bluetooth indicator **8** stops flashing and the message "BT AUDIO" appears on the display.

Tip

- If pairing and the Bluetooth connection fail, do the following.
- Relaunch "NFC Easy Connect" and move the smartphone slowly over the N-marked part **15**.
 - Remove the case from the smartphone if using a commercially available smartphone case.

To listen to audio

Keep the Bluetooth device (or NFC-compatible smartphone) and the unit within 10 meters (39 3/4 in) of each other, and check the following before operation.

– The Bluetooth function of the device is activated.

– Pairing and the Bluetooth connection are completed correctly. If not, perform the pairing procedure beforehand. (See "To pair with a Bluetooth device" or "To connect with a smartphone by one touch (NFC)").

■ For a Bluetooth device

- 1 Press BLUETOOTH **4** to turn on the Bluetooth function. The last connected device will be connected automatically.
- 2 Start playback of an audio source such as music, videos, games, etc., on the device. Refer to the instruction manual of your device for details on playback operations.

■ For an NFC-compatible smartphone

Start playback of an audio source such as music, videos, games, etc., on the smartphone. Refer to the instruction manual of your smartphone for details on playback operations.

Note

- The Bluetooth function turns off when:
- you press POWER **1** to turn off the unit.
 - you switch to a function other than Bluetooth function.

Tip

If the volume level is low, adjust the volume of the unit first. If the volume level is still too low, adjust the volume level on the connected Bluetooth device or the smartphone.

Tip for the Bluetooth devices

If the last connected device does not connect automatically, reselect the Bluetooth function by pressing BLUETOOTH **4** after POWER **1**, FM **7**, AM **6** or AUDIO IN **3** is pressed. If it still does not connect, select the model name of this unit from the device list (perform step 3 in "To pair with a Bluetooth device").

To terminate a Bluetooth connection

You can terminate the Bluetooth connection using any of the following operations.

■ For a Bluetooth device

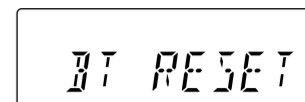
- Turn off the unit.
- Turn off the device.
- Press POWER **1**, FM **7**, AM **6** or AUDIO IN **3**.
- Disable the Bluetooth function on the device.

■ For an NFC-compatible smartphone

- Touch the smartphone to the N-marked part **15** again.
- Turn off the unit.
- Turn off the device.
- Press POWER **1**, FM **7**, AM **6** or AUDIO IN **3**.
- Disable the Bluetooth function on the smartphone.

To clear the paired device information stored in the unit

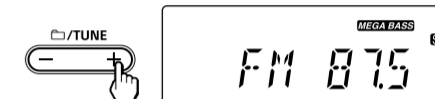
- 1 Press BLUETOOTH **4** to turn on the Bluetooth function.
- 2 Press FM MONO **2**, DISPLAY **9** and TUNE – **8** at the same time. "BT RESET" appears on the display.



- 3 Press ENTER **12** to reset and clear the paired device information. When the paired device information is cleared, "COMPLETE" appears on the display. To cancel this reset operation, press FM MONO **2**, DISPLAY **9** and TUNE – **8** again before pressing ENTER **12**.

Listening to the radio

- 1 Press FM **7** or AM **6** to select the band.
- 2 Press and hold TUNE + or – **8** until the frequency digits begin to change on the display.



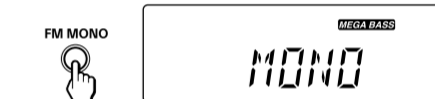
The unit automatically scans the radio frequencies and stops when it finds a clear station.

If you cannot tune to a station using the automatic tuning mode, press TUNE + or – **8** repeatedly to change the frequency step by step.

When an FM stereo broadcast is received, "ST" lights up on the display.

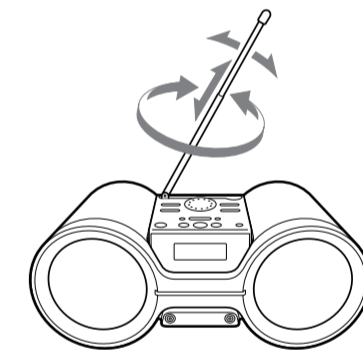
Tip

If the stereo FM reception is noisy, press FM MONO **2** until "MONO" appears on the display. You will lose the stereo effect, but the broadcast will improve.

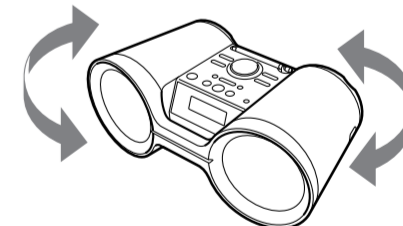


To improve radio reception

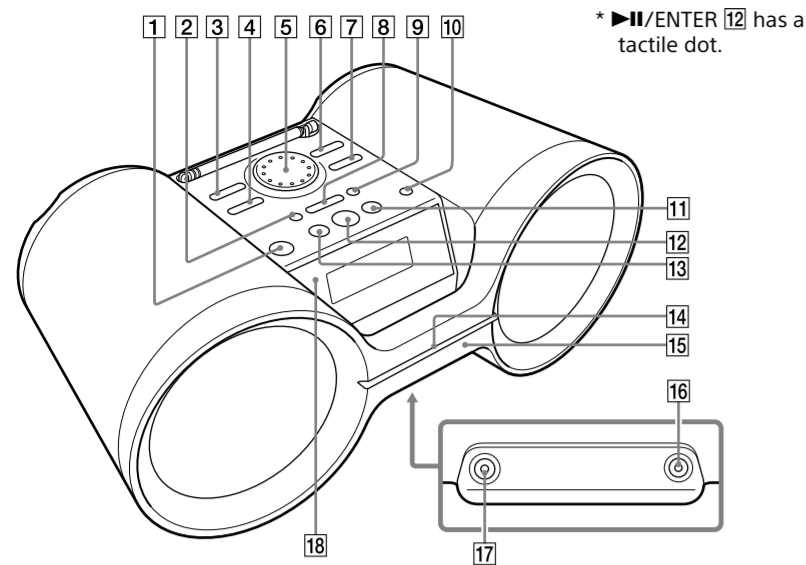
- Reorient the antenna to improve FM reception.



- Reorient the unit itself to improve AM reception.



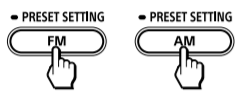
Other Operations



Presetting radio stations

You can store radio stations in the unit's memory. You can preset up to 30 radio stations, 20 for FM and 10 for AM.

- Press FM **[7]** or AM **[6]** to select the band.



- Tune to a station you want.
- Press and hold FM · PRESET SETTING **[7]** or AM · PRESET SETTING **[6]** until "AUTO" flashes on the display.



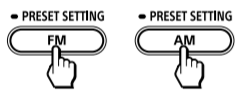
- Press ENTER **[12]** to store the station.

If you want to store other stations, repeat steps 2 through 4. The stations are stored in memory from lower frequencies to higher ones.

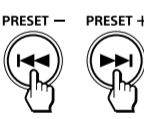
If a station cannot be preset automatically

You need to preset a station with a weak signal manually.

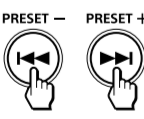
- Press FM **[7]** or AM **[6]** to select the band.



- Tune to a station you want.
- Press and hold FM · PRESET SETTING **[7]** or AM · PRESET SETTING **[6]** until "AUTO" flashes on the display.
- Press **[13]** or **[11]** to select "MANUAL," and then press ENTER **[12]**. "FM-xx" appears on the display.



- Press PRESET + **[11]** or **[13]** until the preset number you want for the station flashes on the display.



- Press ENTER **[12]** to store the station.

If another station is already assigned to the selected preset number, that station is replaced by the new one.



Tip

The preset radio stations remain in the unit's memory even in the following situations.
—The AC power cord is unplugged.
—The batteries are removed.

Precautions

On safety

- Should any solid object or liquid fall into the unit, unplug the unit, and have it checked by qualified personnel before operating it any further.

On power sources

- For AC operation, use the supplied AC power cord; do not use any other cord.
- Unplug the unit from the wall outlet if it is not to be used for an extended period of time.
- When not using the batteries, remove them to avoid damage that can be caused by battery leakage or corrosion.

On placement

- Do not leave the unit in a location near heat sources, in a place subject to direct sunlight, excessive dust or mechanical shock, or in a car subject to the direct rays of the sun.
- Do not place the unit on an inclined or unstable surface.
- Do not place anything within 10 mm (13/32 in) of the rear of the cabinet. The ventilation openings must be unobstructed for the unit to operate properly and prolong the life of its components.
- Since a strong magnet is used for the speakers, keep personal credit cards using magnetic coding or spring-wound watches away from the unit to prevent possible damage from the magnet.

On operation

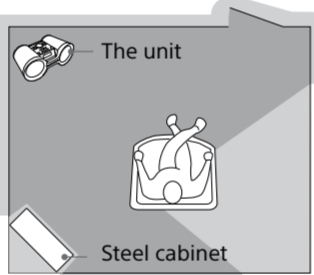
- Condensation may form on outer surfaces or internally, and cause the unit to malfunction if the unit is suddenly moved from a cold to a warm environment. If condensation forms, turn off the unit, and leave the unit off until the moisture evaporates. Do not use the unit until the condensation has fully evaporated.

On cleaning the cabinet

- Clean the cabinet, panel and controls using a soft cloth slightly moistened with a mild detergent solution. Do not use any type of abrasive pad, scouring powder, or solvent, such as alcohol or benzine.

On Bluetooth technology

- Bluetooth wireless technology operates within a range of about 10 meters (393 3/4 in). The maximum communication range may vary depending on obstacles (human body, metal, wall, etc.) or the electromagnetic environment.



- The following conditions may affect the sensitivity of Bluetooth communication.
 - There is an obstacle such as a person, metal, or wall between this unit and the Bluetooth device used.
 - Devices or equipment such as wireless LAN devices, microwave oven, cordless telephone, etc., using a 2.4 GHz frequency band, are in use near the unit.
 - The unit is placed on a shelf made of steel.
- Because both the Bluetooth and the wireless LAN (IEEE802.11b/g/n) devices use the same frequency band (2.4 GHz), microwave interference may occur, resulting in communication speed deterioration, noise, or invalid connection if this unit is used near wireless LAN devices. In such cases, do the following.
 - Place or use this unit at least 10 m (393 3/4 in) away from the wireless LAN devices.
 - If this unit is used within 10 m (393 3/4 in) of other wireless LAN devices, turn off the wireless LAN devices if possible, or place this unit at least 10 m (393 3/4 in) away from the wireless LAN devices.
 - Use the Bluetooth device as close to the unit as possible.
- Microwaves emitting from a Bluetooth device may affect the operation of electronic medical devices. Turn off the power on this unit and the Bluetooth device in the following locations, as they may cause an accident.
 - Where inflammable gas is present, in a hospital, train, airplane, or a petrol station
 - Near automatic doors or a fire alarm
- This unit supports security capabilities that comply with the Bluetooth standard to provide a secure connection when Bluetooth wireless technology is used, but security may be insufficient, depending on the setting. Be careful when communicating using Bluetooth wireless technology.

Pairing using the NFC function fails.

- Try pairing manually (See "To pair with a Bluetooth device"). Some NFC-compatible smartphones may not be paired using the NFC function of this unit, depending on the features or specifications of the device.
- Relaunch "NFC Easy Connect" and move the smartphone slowly over the N-marked part **[16]**.
- Check that the smartphone meets the compatibility requirements (See "Compatible smartphones").

Radio

The sound is weak or reception is poor quality.

- Replace all the batteries with new ones.
- Move the unit away from any nearby TV.
- For FM reception, extend the aerial to its full length, and reorient it for best FM reception. For AM reception, reorient the unit itself to find the best reception.

The TV picture is unstable.

- If you are listening to an FM program near a TV with an indoor antenna, move the unit away from the TV.

After trying the suggested remedies, if the problem persists, unplug the AC power cord or remove all the batteries. After all the indications on the display disappear, plug in the AC power cord again, or re-insert the batteries. If the problem persists, consult your nearest Sony dealer.

Messages

LOW BATTERY: The batteries are almost exhausted.

NO BT: Bluetooth connection is not established.

Specifications

AUDIO POWER SPECIFICATIONS

POWER OUTPUT AND TOTAL HARMONIC DISTORTION
(The United States model only)
With 3-ohm loads, both channels driven from 150 Hz – 10,000 Hz; rated 1.5 W per channel—minimum RMS power, with no more than 10 % total harmonic distortion in AC operation.

Bluetooth section

Communication System
Bluetooth Specification Version 3.0
Modulation method
FHSS
Output
Bluetooth Specification Power Class 2
Maximum communication range
Line of sight approx. 10 m (393 3/4 in)^{*1}
Frequency band
2.4 GHz band (2.4000 GHz – 2.4835 GHz)
Supported Bluetooth Profiles^{*2}
A2DP (Advanced Audio Distribution Profile)
AVRCP^{*3} (Audio/Video Remote Control Profile)
Supported codec^{*4}
SBC (Subband Codec)
^{*1}The actual range will vary depending on factors such as obstacles between devices, magnetic fields around a microwave oven, static electricity, reception sensitivity, aerial performance, operating system, application software, etc.
^{*2}Bluetooth standard profiles provide the specifications for Bluetooth communication between devices.
^{*3}Some operations may not be available depending on the device.
^{*4}Codec: Audio signal compression and conversion format

Radio section

Frequency range
FM: 87.5 MHz – 108 MHz
AM: 530 kHz – 1,710 kHz
Intermediate frequency
FM: 128 kHz
AM: 45 kHz
Antennas
FM: Telescopic antenna
AM: Built-in ferrite bar antenna

Input

AUDIO IN
Stereo mini jack

Output

(headphones) stereo mini jack
For 16 Ω – 32 Ω impedance headphones

General

Speaker
Full range, 10 cm (4 in) dia., 3 Ω, cone type (2)
Power output
2.5 W + 2.5 W (at 3 Ω, 10% harmonic distortion)
Power requirements
120 V AC, 60 Hz (AC power supply)
9 V DC (6 R14 (size C) batteries)
Power consumption
AC 11 W
Battery Life^{*1, *2}
FM reception
Approx. 16 hours

^{*1}Measured by Sony standards. The actual battery life may vary depending on the circumstances of the unit or operating conditions.

^{*2}When using Sony alkaline batteries

Dimensions

Approx. 398 mm × 159 mm × 220 mm
(15 3/4 in × 6 3/8 in × 8 3/4 in) (W/H/D) (incl. projecting parts)

Mass

Approx. 2.9 kg (6 lb 6 oz) (incl. batteries)

Supplied accessories

AC power cord (1)

Design and specifications are subject to change without notice.

License and Trademark Notice

- MPEG Layer-3 audio coding technology and patents licensed from Fraunhofer IIS and Thomson.
- Windows Media is either a registered trademark or trademark of Microsoft Corporation in the United States and/or other countries.
- This product contains technology subject to certain intellectual property rights of Microsoft. Use or distribution of this technology outside of this product is prohibited without the appropriate license(s) from Microsoft.
- The Bluetooth word mark and logos are owned by the Bluetooth SIG, Inc. and any use of such marks by Sony Corporation is under license.
- The N Mark is a trademark or registered trademark of NFC Forum, Inc. in the United States and in other countries.
- Android is a trademark of Google Inc.
- All other trademarks and registered trademarks are of their respective holders. In this manual, [™] and [®] marks are not specified.

For customers in the USA

Please register this product on line at the following website.

<http://www.sony.com/productregistration>

Proper registration will enable us to send you periodic mailings about new product, services and other important announcements. Registering your product will also allow us to contact you in the unlikely event that the product needs adjustment or modification. Thank you.

SONY

Portable Audio

LIMITED WARRANTY (U.S. Only)

Sony Electronics Inc. ("Sony") warrants this product against defects in material or workmanship for the time periods and as set forth below when purchased directly from Sony or a Sony Retailer. Pursuant to this Limited Warranty, Sony will, at its option, (i) repair the product using new or refurbished parts or (ii) replace the product with a new or refurbished product. For purposes of this Limited Warranty, "refurbished" means a product or part that has been returned to its original specifications. **In the event of a defect, these are your exclusive remedies.**

Labor: For a period of ninety (90) days from the original date of purchase of the product ("Labor Warranty"), Sony will, at its option, repair or replace with new or refurbished product, product determined to be defective. If Sony elects to replace the product after this Labor Warranty has expired but while the Parts Warranty below is still in effect, it will do so for the applicable labor charge.

Parts: For a period of one (1) year from the original date of purchase of product ("Parts Warranty"), Sony will supply new or refurbished replacement parts in exchange for parts determined to be defective.

This Limited Warranty covers only the hardware components packaged with the Product. It does not cover technical assistance for hardware or software usage and it does not cover any software products whether or not contained in the Product; any such software is provided "AS IS" unless expressly provided for in any endorsed software Limited Warranty. Please refer to the End User License Agreements included with the Product for your rights and obligations with respect to the software.

Instructions: To obtain warranty service, you must deliver the product, freight prepaid, in either its original packaging or packaging affording an equal degree of protection to the Sony authorized service facility specified. **It is your responsibility to backup any data, software or other materials you may have stored or preserved on your unit. It is likely that such data, software, or other materials will be lost or reformatted during service and Sony will not be responsible for any such damage or loss.** A dated purchase receipt from Sony or a Sony Retailer is required. For specific instructions on how to obtain warranty service for your product,

Visit Sony's Web Site:

www.sony.com/support

Or call the **Sony Customer Information Service Center**

1-800-222-SONY (7669)

1-800-488-SONY (7669)

For an accessory or part not available from your authorized dealer, call:

Repair / Replacement Warranty: This Limited Warranty shall apply to any repair, replacement part or replacement product for the remainder of the original Limited Warranty period or for ninety (90) days, whichever is longer. Any parts or product replaced under this Limited Warranty will become the property of Sony.

This Limited Warranty only covers product issues caused by defects in material or workmanship during ordinary consumer use; it does not cover product issues caused by any other reason, including but not limited to product issues due to commercial use, acts of God, misuse, limitations of technology, or modification of or to any part of the Sony product or product purchased from other than Sony or a Sony Retailer. To determine if a retailer is part of the Sony Retailer Network, please contact Sony's Customer Service Call Center or go to www.sony.com/support. This Limited Warranty does not cover Sony products sold AS IS or WITH ALL FAULTS or consumables (such as fuses or batteries). This Limited Warranty is invalid if the factory-applied serial number has been altered or removed from the product. This Limited Warranty is valid only in the United States.

LIMITATION ON DAMAGES: SONY SHALL NOT BE LIABLE FOR ANY INCIDENTAL OR CONSEQUENTIAL DAMAGES FOR BREACH OF ANY EXPRESS OR IMPLIED WARRANTY ON THIS PRODUCT.

DURATION OF IMPLIED WARRANTIES: EXCEPT TO THE EXTENT PROHIBITED BY APPLICABLE LAW, ANY IMPLIED WARRANTY OF MERCHANTABILITY OR FITNESS FOR A PARTICULAR PURPOSE ON THIS PRODUCT IS LIMITED IN DURATION TO THE DURATION OF THIS WARRANTY.

Some states do not allow the exclusion or limitation of incidental or consequential damages, or allow limitations on how long an implied warranty lasts, so the above limitations or exclusions may not apply to you. This Limited Warranty gives you specific legal rights and you may have other rights which vary from state to state.

D455714704

Free Manuals Download Website

<http://myh66.com>

<http://usermanuals.us>

<http://www.somanuals.com>

<http://www.4manuals.cc>

<http://www.manual-lib.com>

<http://www.404manual.com>

<http://www.luxmanual.com>

<http://aubethermostatmanual.com>

Golf course search by state

<http://golfingnear.com>

Email search by domain

<http://emailbydomain.com>

Auto manuals search

<http://auto.somanuals.com>

TV manuals search

<http://tv.somanuals.com>