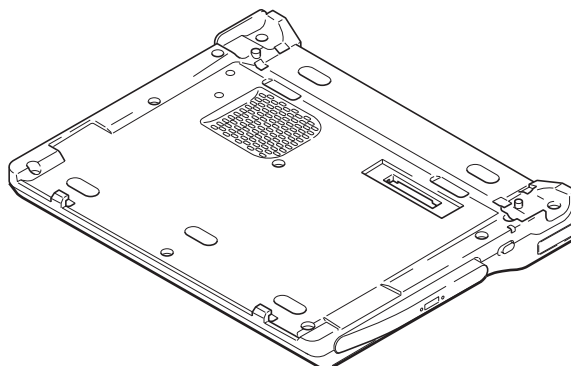


PCGA-DSD5/DSM5

SERVICE MANUAL

US Model
Canadian Model



i S400



Specifications

Drive performance

CD-RW / DVD Docking Station (PCGA-DSM5)
Reading speed: 24X max. CD-ROM / CD-R reading,
12X max. CD-RW reading,
8X max. DVD-ROM reading,
Writing speed: 8X max. CD-R writing,
4X max. CD-RW writing,
Disk diameter 4 ³/₄ inch (12cm), 3inch (8cm)
Multi-session correspondence
DVD Docking Station (PCGA-DSD5)
Reading speed: 24X max. CD-ROM reading,
8X max. DVD-ROM reading,
Disk diameter 4 ³/₄ inch (12cm), 3inch (8cm)
Multi-session correspondence

Floppy disk drive

3.5" 1.44MB / 720KB

Connectors

SERIAL Connector: RS-232C, D-SUB 9 pin (1)
PRINTER Connector: ECP, D-SUB 25 pin (1)
MONITOR Connector: analog RGB, mini D-SUB 15 pin (1)
USB Connector: USB 4 pin (2)
i.LINK (IEEE 1394) Connector S400 4pin(1) S400=400Mbps
NETWORK Connector: RJ-45 (1)*
Docking Connector: Dedicated connector 100pin(1)

Power source AC adapter or battery pack (only when it is attached to the notebook computer)

Operating temperature

41 °F to 95 °F (5 °C to 35 °C)
(temperature gradient less than 18 °F (10 °C)/hour)

Operating humidity

20 % to 80 % (not condensed), provided that humidity is less than 65 % at 95 °F (35 °C)
(hygrometer reading of less than 84 °F (29 °C))

Storage temperature

-4 °F to 140 °F (-20 °C to 60 °C)
(temperature gradient less than 18 °F (10 °C)/hour)

Storage humidity

10 % to 90 % (not condensed), provided that humidity is less than 20 % at 140 °F (60 °C)
(hygrometer reading of less than 95 °F (35 °C))

Dimensions

Approx. 11.0 × 0.8(0.9 backside) × 9.3 inches (w/h/d)
(Approx. 279.5 × 18.5(21.5 backside) × 235.0 mm)
(the projecting parts are not included)

Mass

PCGA-DSM5 2.38 lbs. (1,080 g)
PCGA-DSD5 2.27 lbs. (1,030 g)

Supplied accessories

Operating instructions (1)
Warranty card (1)

* There is a NETWORK Connector for the correspondence to 10BASE-T, 100BASE-TX.

Design and specifications are subject to change without notice.

CD-RW/DVD Docking Station
DVD Docking Station
SONY®

Information in this document is subject to change without notice.

Sony and VAIO are trademarks of Sony. Microsoft, MS-DOS, Windows, the Windows 95, Windows 98, Windows 2000 and Windows ME logo are trademarks of Microsoft Corporation.

All other trademarks are trademarks or registered trademarks of their respective owners. Other trademarks and trade names may be used in this document to refer to the entities claiming the marks and names or their produces. Sony Corporation disclaims any proprietary interest in trademarks and trade names other than its own.

Caution Markings for Lithium/Ion Battery - The following or similar texts shall be provided on battery pack of equipment or in both the operating and the service instructions.

CAUTION: Danger of explosion if battery is incorrectly replaced. Replace only with the same or equivalent type recommended by the manufacturer. Discard used batteries according to the manufacturer's instructions.

CAUTION: The battery pack used in this device may present a fire or chemical burn hazard if mistreated. Do not disassemble, heat above 100°C (212°F) or incinerate.

Dispose of used battery promptly.
Keep away from children.

CAUTION: Changing the back up battery.

- Overcharging, short circuiting, reverse charging, mutilation or incineration of the cells must be avoided to prevent one or more of the following occurrences; release of toxic materials, release of hydrogen and/or oxygen gas, rise in surface temperature.
- If a cell has leaked or vented, it should be replaced immediately while avoiding to touch it without any protection.



Service and Inspection Precautions

1. Obey precautionary markings and instructions

Labels and stamps on the cabinet, chassis, and components identify areas requiring special precautions. Be sure to observe these precautions, as well as all precautions listed in the operating manual and other associated documents.

2. Use designated parts only

The set's components possess important safety characteristics, such as noncombustibility and the ability to tolerate large voltages. Be sure that replacement parts possess the same safety characteristics as the originals. Also remember that the Δ mark, which appears in circuit diagrams and parts lists, denotes components that have particularly important safety functions; be extra sure to use only the designated components.

3. Always follow the original design when mounting parts and routing wires

The original layout includes various safety features, such as inclusion of insulating materials (tubes and tape) and the mounting of parts above the printer board. In addition, internal wiring has been routed and clamped so as to keep it away from hot or high-voltage parts. When mounting parts or routing wires, therefore, be sure to duplicate the original layout.

4. Inspect after completing service

After servicing, inspect to make sure that all screws, components, and wiring have been returned to their original condition. Also check the area around the repair location to ensure that repair work has caused no damage, and confirm safety.

5. When replacing chip components...

Never reuse components. Also remember that the negative side of tantalum capacitors is easily damaged by heat.

6. When handling flexible print boards...

- The temperature of the soldering-iron tip should be about 270C.
- Do not apply the tip more than three times to the same pattern.
- Handle patterns with care; never apply force.

Caution: Remember that hard disk drives are easily damaged by vibration. Always handle with care.

Confidential

TABLE OF CONTENTS

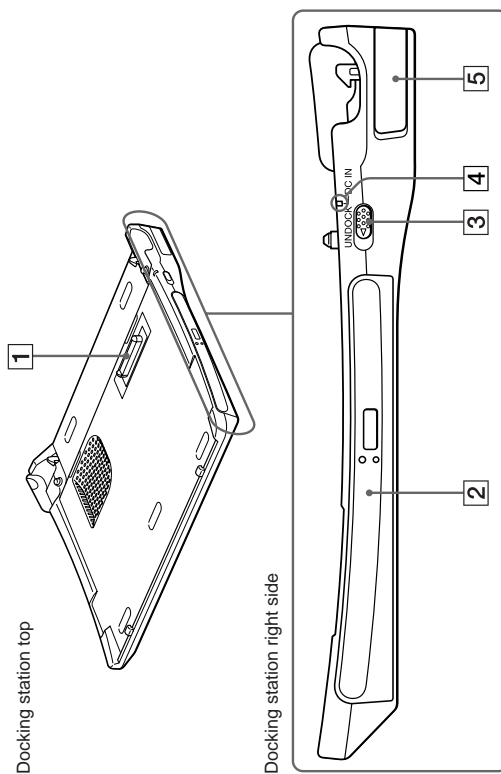
<u>Section</u>	<u>Title</u>	<u>Page</u>	
CHAPTER 1. GENERAL			
1-1.	Locating Controls and Connectors	1-1	
1-2.	Attention of i.LINK	1-2	
		(to 1-2)	
CHAPTER 2. REMOVAL			
2-1.	Flowchart	2-1	
2-2.	Main Electrical Parts Location Diagram	2-1	
2-3.	Removal	2-2	
1.	Housing (Top) Assy	2-2	
2.	COMBO Drive, DVD-ROM	2-2	
3.	FDD	2-3	
4.	IRX-146 Board	2-3	
5.	CNX-130 Board	2-4	
6.	SWX-75 Board	2-4	
7.	CNX-132 Board	2-5	
		(to 2-5)	
CHAPTER 3. SELF DIAGNOSTICS			3-1
Please confirm "Self Diagnostics" method which will be informed you with distribution of "Self Diagnostics" software.			
CHAPTER 4. BLOCK DIAGRAM			4-1
		(to 4-2)	
CHAPTER 5. FRAME HARNESS DIAGRAM			5-1
		(to 5-2)	
CHAPTER 6. EXPLODED VIEWS AND PARTS LIST			
6-1.	Main Section	6-1	
6-2.	Accessories	6-4	
		(to 6-4)	

- Abbreviations
UC : US model / Canadian model

1-1. Locating Controls and Connectors

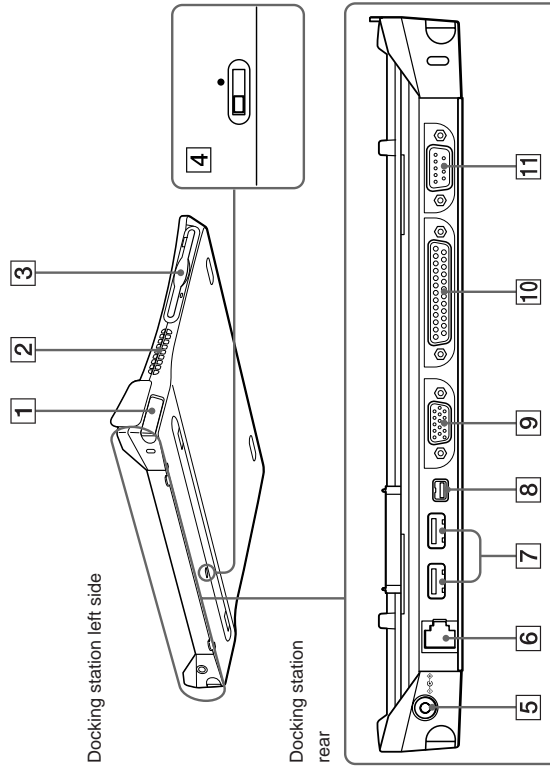
Locating Controls and Connectors

Docking Station Top/Right Side



- 1 Docking connector
- 2 PCD-ROM drive
- 3 CD-RW/DVD-ROM combo drive
- 4 PCD-DSD5 DVD-ROM drive
- 5 DC IN lamp (page 65)
- 6 Release lever (page 67)

Docking Station Left Side/Rear



- 1 Release lever (page 67)
- 2 Ventilator
- 3 Floppy disk drive
- 4 i.LINK network switch (page 91)
- 5 DC IN connector (page 65)
- 6 Network connector (page 6)
- 7 USB connector
- 8 S400 i.LINK connector
- 9 MONITOR connector
- 10 PRINTER connector
- 11 SERIAL connector

1-2. Attention of i.LINK

The i.LINK compatible unit connected to this set is not recognized. Or, the message such as “Operation is disabled, as DV unit is not connected or the power is not turned on” is displayed.

- Disconnect the i.LINK cable once, and reconnect it. For further information, see “Connecting i.LINK unit” of “Data transfer to i.LINK unit” in the “Extend” of the Online Manual for this set.

The unit connected to the i.LINK connector on the docking station does not operate normally.

- Use the i.LINK connector on this set.

The operation of i.LINK compatible unit connected to this set stopped.

- Finish the operation of the i.LINK compatible unit first, when removing the docking station during the connection of i.LINK compatible unit.

The message “Recording to DV unit failed. Retry after checking the DV unit for power supply and connection state” is displayed during the recording on the tape using the “DVgate” software.

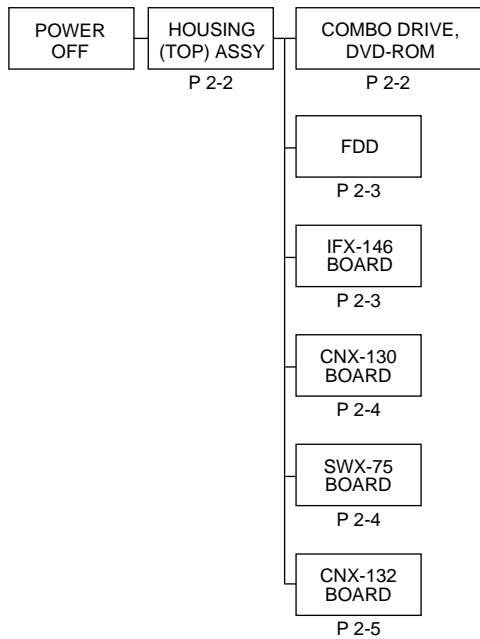
- Check if the power and connection cables are connected correctly to the DV unit. Continuous recording may cause a recording failure even if the unit is connected correctly. In such a case, restart this set after exiting all of the software.

To use the set in more comfortable environment, it is recommended to extend the memory. For further information, see “Extending the memory” (page 109).

The frames drop during the use of “DVgate” software.

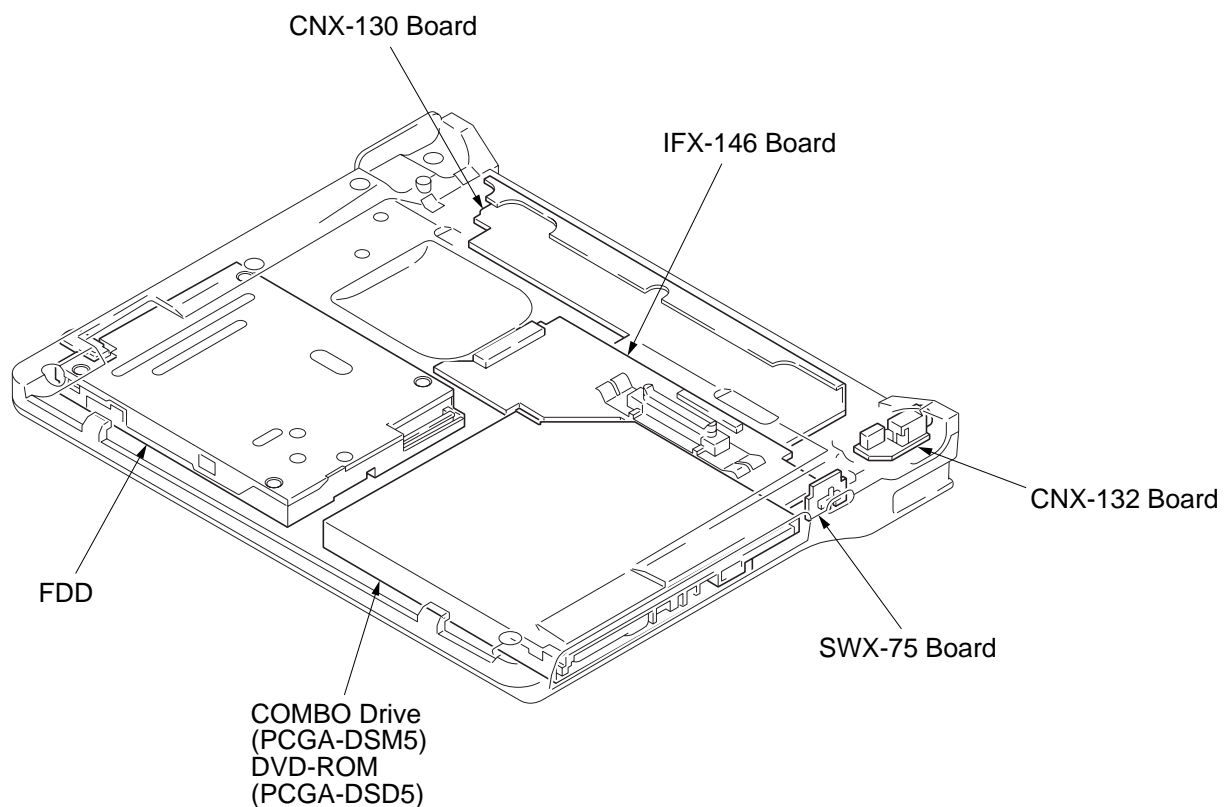
- The frames may drop depending on the operating condition. In such a case, extend the memory. For further information, see “Extending the memory” (page 109).

2-1. Flowchart



• P XX means pages that appears in this manual.

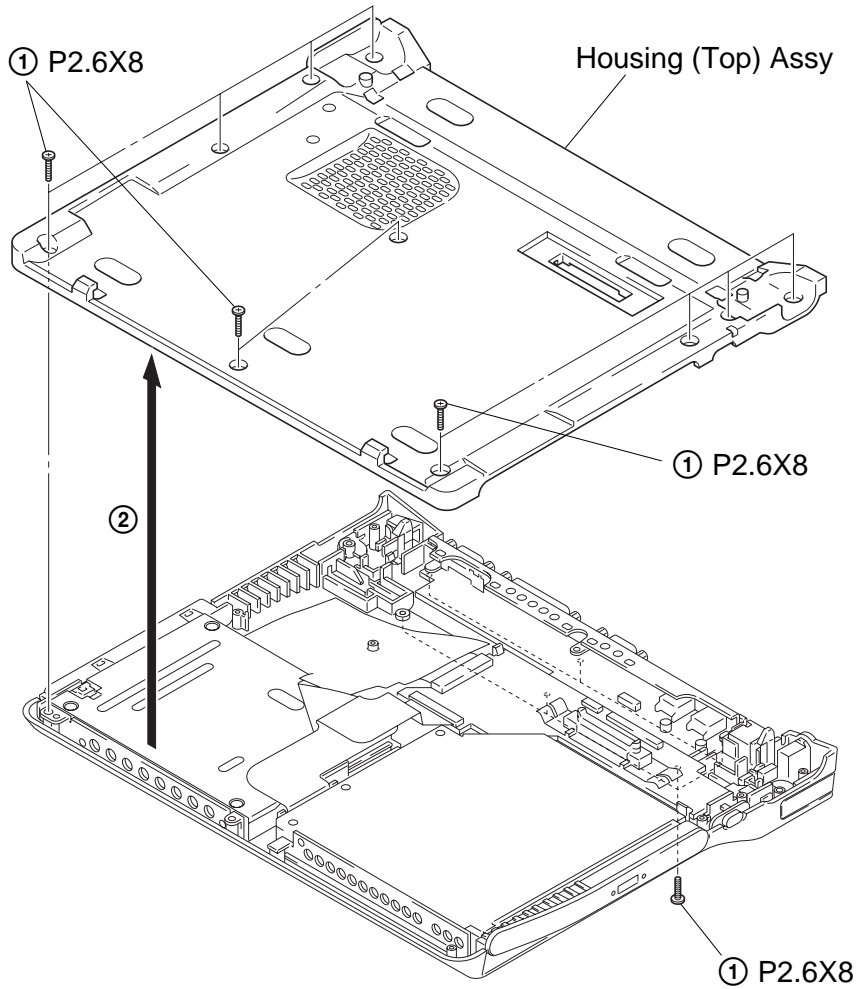
2-2. Main Electrical Parts Location Diagram



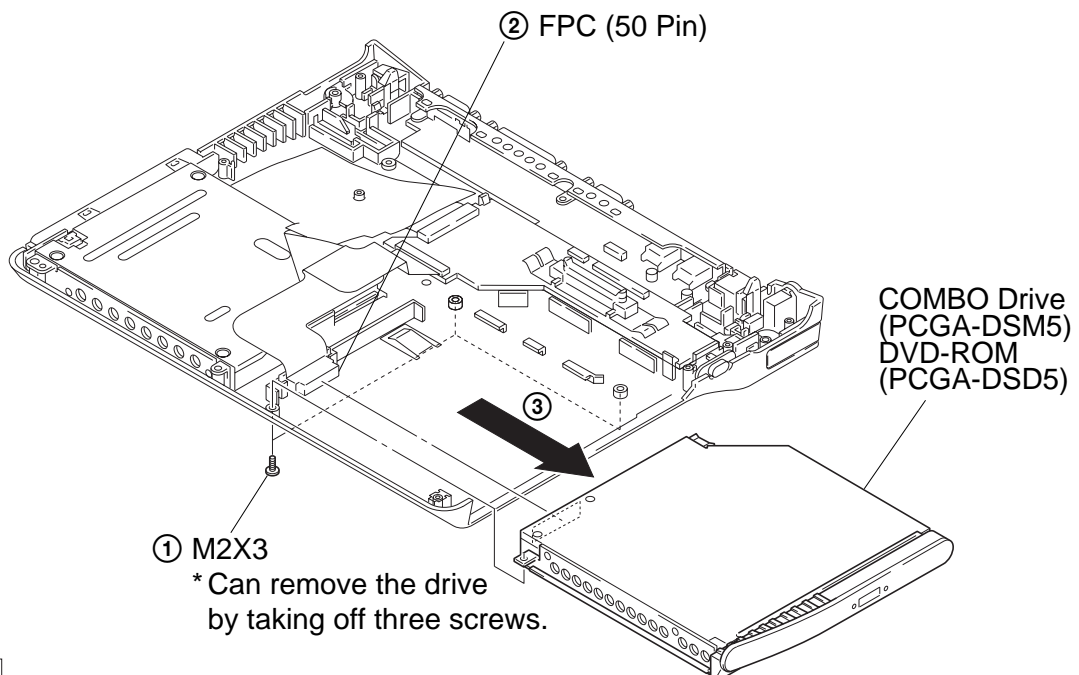
Confidential

2-3. Removal

1. Housing (Top) Assy



2. COMBO Drive, DVD-ROM



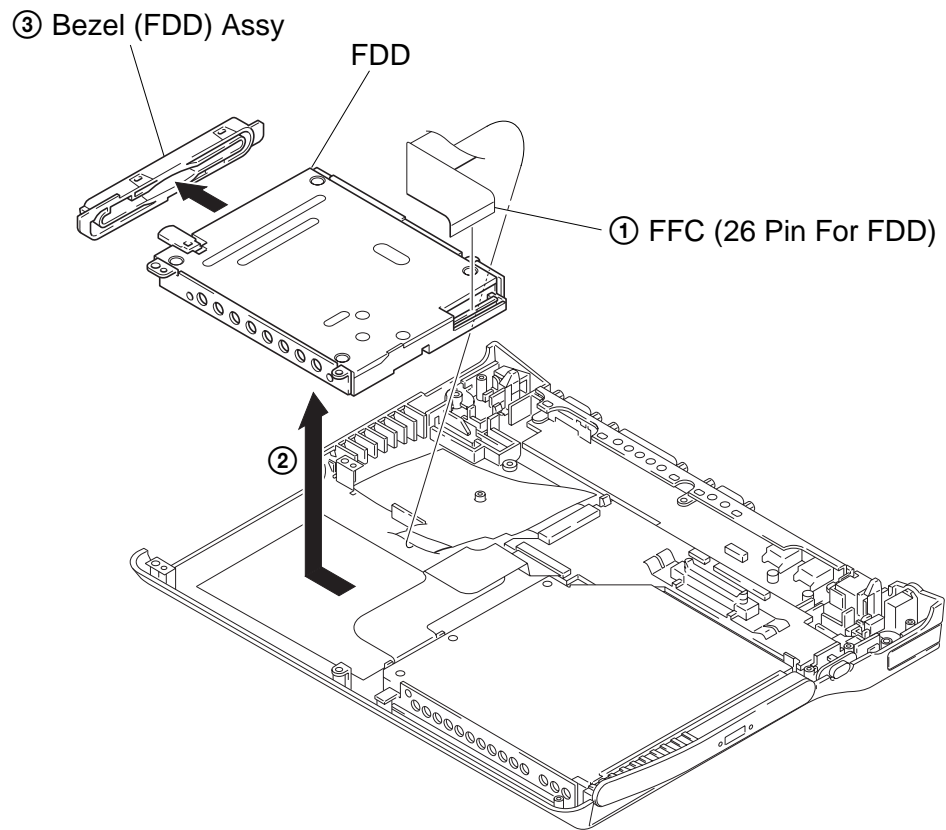
Confidential

PCGA-DSD5/DSM5 (UC)

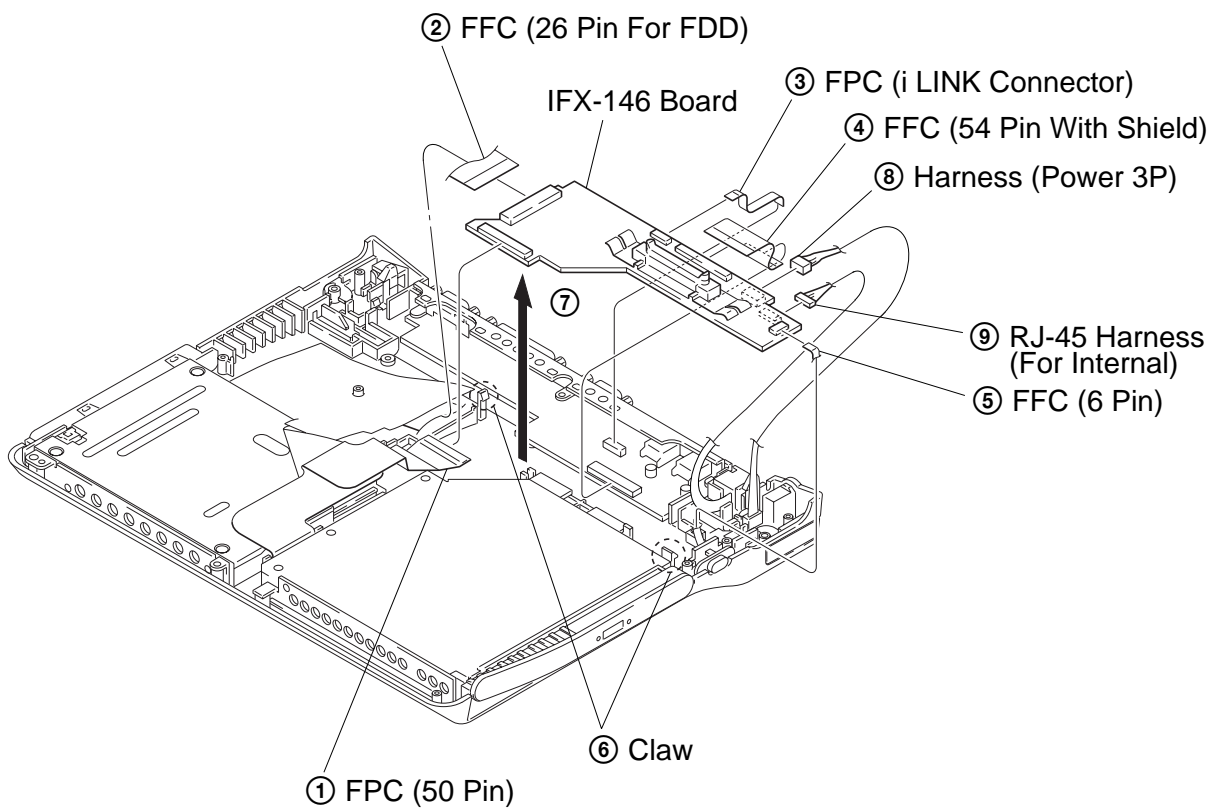
2-2

Download from www.Somanuals.com. All Manuals Search And Download.

3. FDD

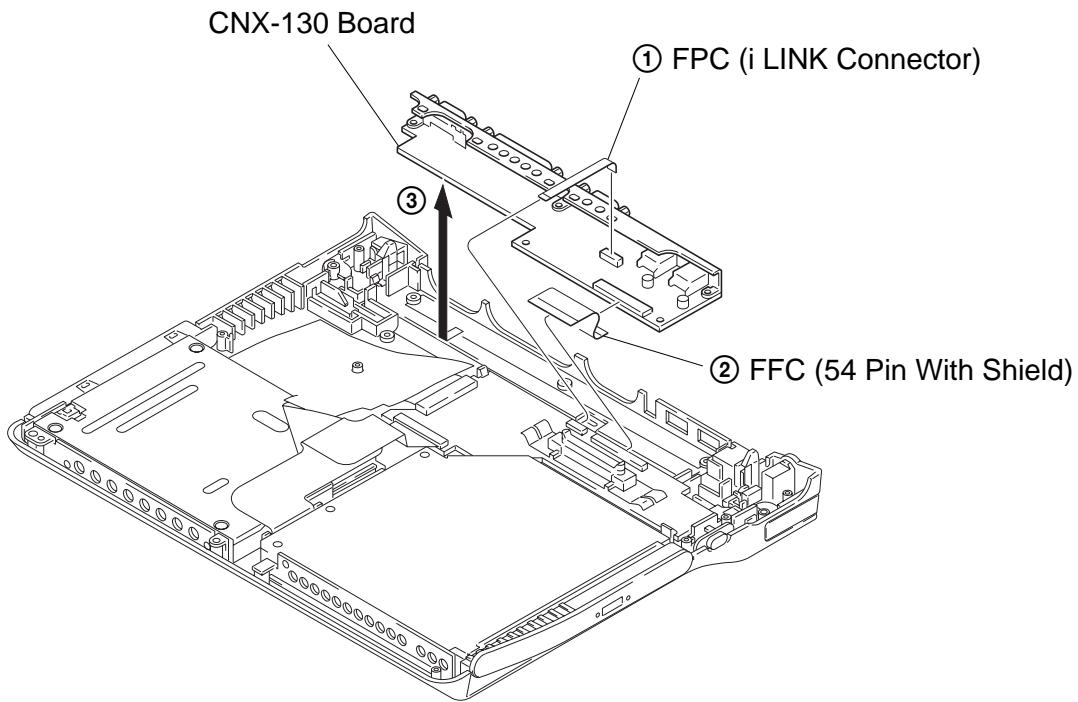


4. IRX-146 Board

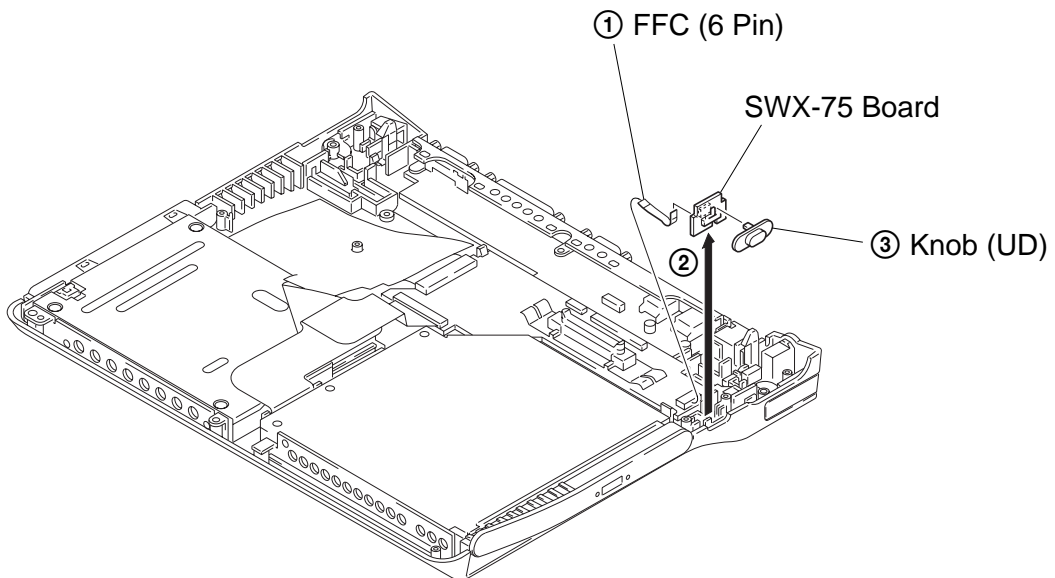


Confidential

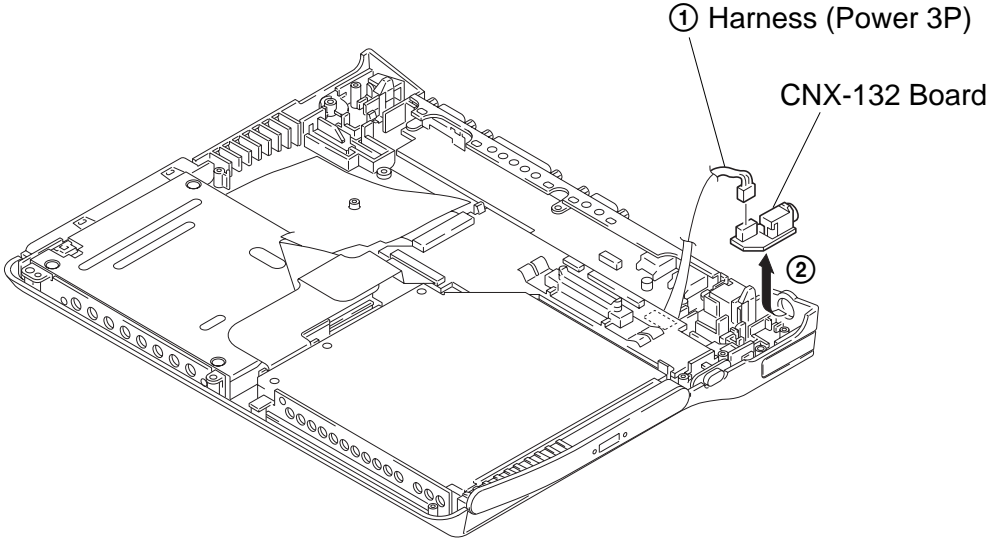
5. CNX-130 Board



6. SWX-75 Board



7. CNX-132 Board



CHAPTER 3.

SELF DIAGNOSTICS

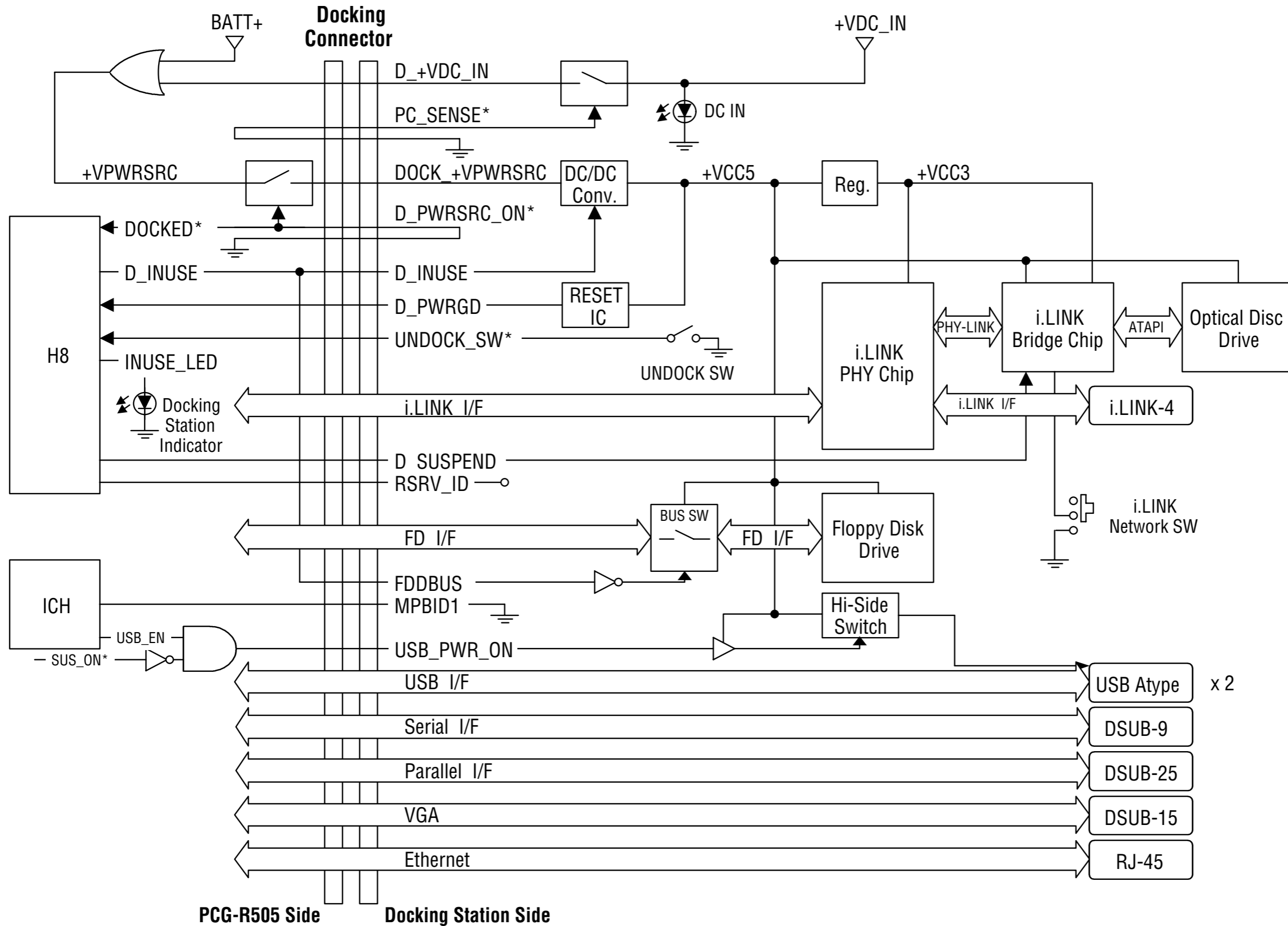
< ATTENTION >

**Please confirm “Self Diagnostics” method which will be informed
you with distribution of “Self Diagnostics” software.**

Confidential

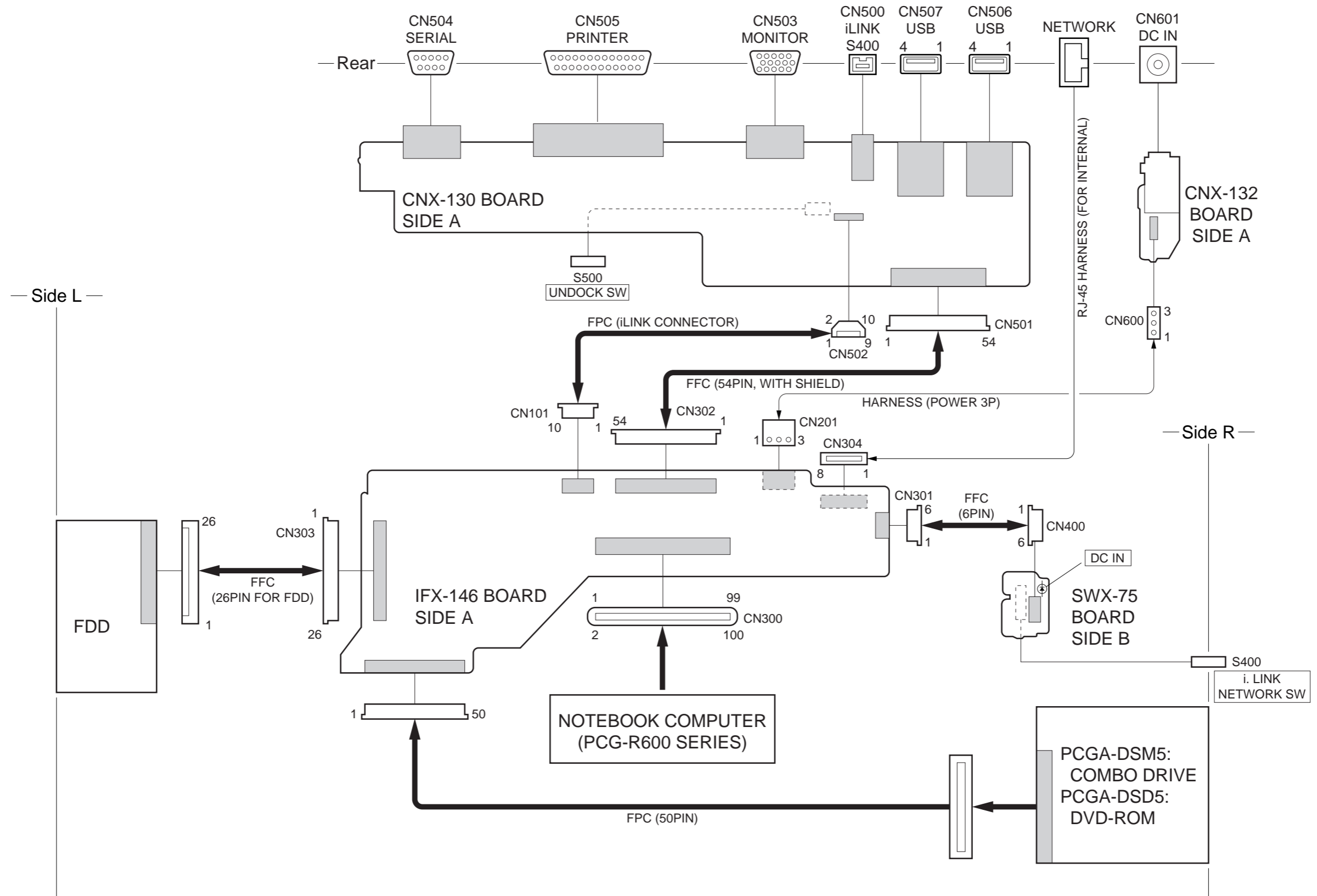
CHAPTER 4. BLOCK DIAGRAM

- OVERALL BLOCK DIAGRAM -



CHAPTER 5. FRAME HARNESS DIAGRAM

- FROM board connector (direct connection)
- Harness (connector at both end)
- Harness (soldered at one end)



CHAPTER 6.

EXPLODED VIEWS AND PARTS LIST

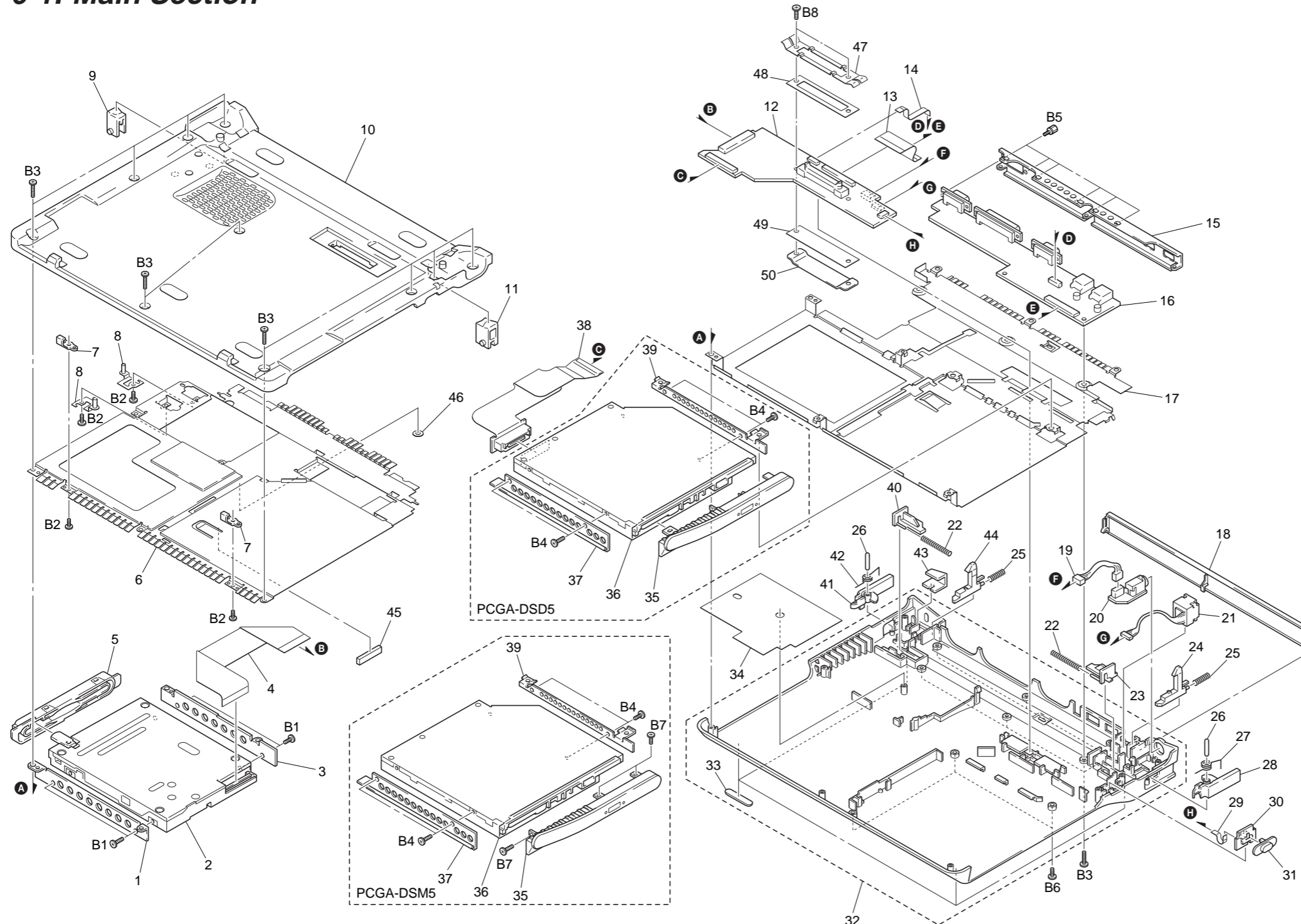
NOTE:

- The mechanical parts with no reference number in the exploded views are not supplied.
- Items marked “ * ” are not stocked since they are seldom required for routine service. Some delay should be anticipated when ordering these items.
- When the same reference numbers are written down in the list, please use the one listed in the first place as the main part.

The components identified by mark Δ or dotted line with mark Δ are critical for safety. Replace only with part number specified.

Les composants identifiés par une marque Δ sont critiques pour la sécurité. Ne les remplacer que par une pièce portant le numéro spécifié.

6-1. Main Section



Ref.No.	Part No.	Description
* 1	4-652-975-01	BRACKET (FDD (R))
2	1-772-978-31	FDD
* 3	4-652-974-01	BRACKET (FDD (L))
4	1-815-683-11	FFC (26 PIN FOR FDD)
5	X-4623-581-1	BEZEL (FDD) ASSY
* 6	4-652-969-01	PLATE (TOP), SHIELD
7	X-4623-594-1	BRACKET (HOOK) ASSY
8	X-4623-582-1	GROUND ASSY, MAIN
9	4-652-966-01	SHAFT (PUSH) (L)
10	X-4623-579-1	HOUSING (TOP) ASSY
11	4-654-139-01	SHAFT (PUSH) (R)
12	A-8066-662-A	MOUNTED PWB IFX-146
13	1-815-682-11	FFC (54 PIN, WITH SHIELD)
14	1-823-006-11	FPC (iLINK CONNECTOR)
* 15	4-652-971-01	BRACKET (IO)
16	A-8066-658-A	MOUNTED PWB CNX-130
* 17	4-652-970-01	PLATE (BOTTOM), SHIELD
18	X-4623-679-1	DOOR (JACK) ASSY
19	1-961-147-21	HARNESS (POWER 3P)
20	A-8066-660-A	MOUNTED PWB CNX-132
21	1-961-140-21	HARNESS, RJ-45 (FOR INTERNAL)
22	4-652-982-01	SPRING (SLIDER), COIL
23	4-652-968-01	SLIDER (R)
24	4-652-965-01	HOOK (R)
25	4-652-981-01	SPRING (HOOK), COMPRESSION COIL
26	4-652-993-01	SHAFT
27	4-652-980-01	SPRING (R), TORSION
28	4-652-963-01	LEVER (R)
29	1-815-681-11	FFC (6 PIN)
30	A-8066-659-A	MOUNTED PWB SWX-75
31	4-652-961-01	KNOB (UD)
32	X-4623-680-1	HOUSING (BOTTOM) ASSY
33	4-641-449-11	FOOT (F)
34	4-653-453-01	COVER, FFC
35	X-4623-580-1	(DSD5)...BEZEL (T (DVD)) ASSY
35	X-4623-617-1	(DSM5)...BEZEL (P (DVD)) ASSY
36	1-796-018-11	(DSD5)...DVD-ROM (X8 SD-C2502)
36	1-796-072-12	(DSM5)...COMBO DRIVE (UJDA710)
* 37	4-652-972-01	BRACKET (CD-R (L))
38	1-823-007-11	FPC (50 PIN)
* 39	4-652-973-01	BRACKET (CD-R (R))
40	4-652-967-01	SLIDER (L)
41	4-652-962-01	LEVER (L)
42	4-652-979-01	SPRING (L), TORSION
* 43	4-653-152-01	BRACKET
44	4-652-964-01	HOOK (L)
45	4-655-037-01	SPACER, RIB
46	4-655-034-01	SPACER, BOSS
47	4-652-978-01	PLATE (CONNECTOR), GROUND
48	4-652-995-01	SHEET (GROUND PLATE I/O)
49	4-652-994-01	INSULATING SHEET (BRACKET I/O)
* 50	4-652-976-01	BRACKET (CONNECTOR)
B1	4-646-807-11	0 PLATE M2.5 (FDD) (2.5X2.7)
B2	4-648-320-01	TAPPING (M2) (3X4)
B3	7-685-134-19	SCREW +P2.6X8 TYPE2 NON-SLIT
B4	4-644-492-91	ACE (M2), LOCK (2X3)
* B5	4-635-966-01	SCREW (HEX)
B6	4-644-492-41	ACE (M2), LOCK (2X3)
B7	4-645-177-01	SCREW (M1.7X3.5)
B8	4-644-492-81	ACE (M2), LOCK

6-2. Accessories

<u>Ref.No.</u>	<u>Part No.</u>	<u>Description</u>
		ACCESSORIES *****
		4-653-715-11 MANUAL, INSTRUCTION



PCGA-DSD5/DSM5 (UC)



PCGA-DSD5/DSM5 (UC)

9-872-201-11

2001D0500-1



This manual and the constituent data may not be replicated, copied nor reprinted in whole or in part without prior written authorization of Sony Corporation.

Sony Corporation

English
2001D0500-1

© 2001 Sony Corporation

Free Manuals Download Website

<http://myh66.com>

<http://usermanuals.us>

<http://www.somanuals.com>

<http://www.4manuals.cc>

<http://www.manual-lib.com>

<http://www.404manual.com>

<http://www.luxmanual.com>

<http://aubethermostatmanual.com>

Golf course search by state

<http://golfingnear.com>

Email search by domain

<http://emailbydomain.com>

Auto manuals search

<http://auto.somanuals.com>

TV manuals search

<http://tv.somanuals.com>