

SONY®

User guide

Bluetooth® Speaker with
Magnetic Charging Pad
BSC10

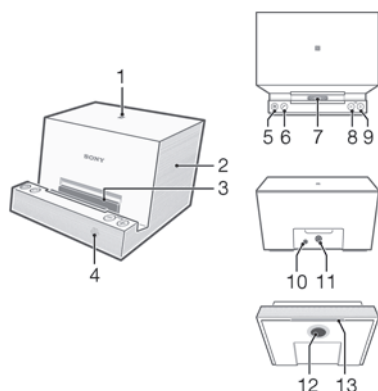
Contents

Introduction.....	3
Overview.....	3
Notification light status.....	3
Using the attachments.....	4
Charging.....	5
Getting started.....	6
Disconnecting and reconnecting.....	7
Legal information.....	8
DECLARATION OF CONFORMITY FOR BSC10.....	8

Introduction

The BSC10 Bluetooth® Speaker with Magnetic Charging Pad accessory lets you charge your Xperia™ device and enjoy high-quality audio at the same time. The **BSC10** accessory holds your Xperia™ device in such a way that you can easily browse content and interact with the device while it's charging to, for example, answer incoming calls or send emails. You don't even need to open the USB cover. So you can sit back and watch your favourite movies or listen to music from your Xperia™ device.

Overview



- | | |
|----|---------------------------------------|
| 1 | NFC detection area |
| 2 | Speaker |
| 3 | Attachment (fits into charging dock) |
| 4 | Microphone |
| 5 | Power button/Bluetooth pairing button |
| 6 | Handsfree button |
| 7 | Magnetic charging connector |
| 8 | Volume down button |
| 9 | Volume up button |
| 10 | Audio input socket |
| 11 | DC power input socket |
| 12 | Attachment eject button |
| 13 | Power/Bluetooth notification light |

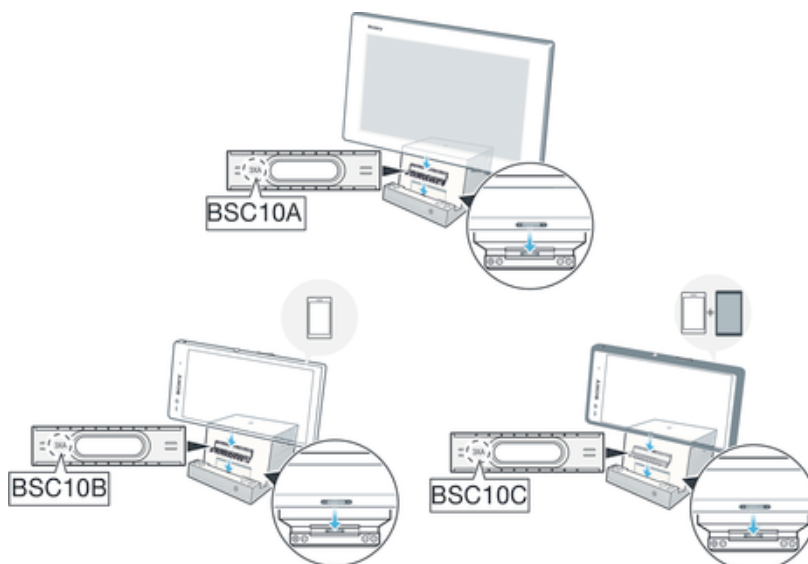
Notification light status

- | | |
|--------------------|---|
| Flashing slowly | The BSC10 accessory is searching for previously connected devices to pair with |
| Flashing rapidly | Pairing mode – The BSC10 accessory is ready to pair with an Xperia™ device |
| Steady blue light | The BSC10 accessory is paired with an Xperia™ device |
| Steady white light | An audio-in cable is connected |

💡 When several devices are available for pairing, the BSC10 accessory tries to pair with the most recently connected device.

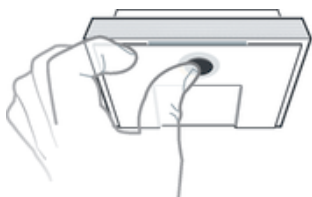
Using the attachments

Your **BSC10** accessory comes with three attachments of different width. Each attachment can fit into the charging dock and hold the relevant tablet or phone in place after you insert it. At purchase, the attachment that fits the Xperia™ Z2 Tablet or Xperia™ Z Ultra is inserted. If your Xperia™ device is not one of these models, you may need to remove the attachment and replace it with one of the other two attachments.



Attachment name	Compatible device
BSC10A	Xperia™ Z3 Tablet Compact Xperia™ Z2 Tablet Xperia™ Z Ultra
BSC10B	Xperia™ Z2 Xperia™ Z1 Xperia™ Z1 Compact Xperia™ ZL2
BSC10C (for devices with protective cases fitted)	Xperia™ Z Ultra Xperia™ Z2 Xperia™ Z1 Xperia™ Z1 Compact Xperia™ ZL2

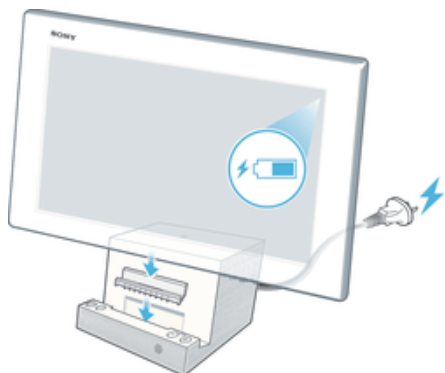
To change the attachment



- 1 Press the attachment eject button and remove the attachment that is already in the device.
- 2 Place another attachment in the charging dock. The attachment makes a locking noise when it fits into place correctly.

Charging

To use your BSC10 accessory as a charger



- 1 Insert the required attachment into the **BSC10** accessory.
- 2 Place your Xperia™ device into the charging dock of the **BSC10** accessory. You should hear a locking sound when the Xperia™ device fits correctly into place.
- 3 Connect the accessory to a power source.

Getting started

Before you can use your **BSC10** accessory with an Xperia™ device, for example, to play music or handle incoming calls, you must first pair the two devices. You can pair your **BSC10** accessory with an Xperia™ device using either the Bluetooth® or NFC functions. Once the devices are paired, your **BSC10** accessory automatically establishes a connection with the Xperia™ device.

To pair the BSC10 accessory with an Xperia™ device using NFC




- 1 On the Xperia™ device, make sure that the NFC function is turned on and that the screen is active and unlocked.
- 2 Turn on the **BSC10** accessory.
- 3 Position your Xperia™ device in such a way that the NFC detection area of each device touches the other.

To pair the BSC10 accessory with an Xperia™ device using Bluetooth®

- 1 Xperia™ device: Make sure the Bluetooth® function is turned on.
- 2 **BSC10** accessory: Press and hold down the Bluetooth pairing button until you hear a beep and a blue notification light flashes rapidly.
- 3 Xperia™ device: Search for and connect to the **BSC10** accessory. When the accessory is successfully paired with the Xperia™ device, the notification light turns solid blue.

To use the BSC10 accessory to answer incoming calls

- 1 Make sure the **BSC10** accessory is paired with an Xperia™ device that supports call handling.
 - 2 When a call comes in, press .
- ! Please note that the calling function and call button is not supported for internet voice calls.

To use the BSC10 accessory to listen to music

- 1 Make sure the **BSC10** accessory is paired with an Xperia™ device.
- 2 Play the audio or video file on the Xperia™ device. The sound is automatically played through the speakers of the paired **BSC10** accessory.

Disconnecting and reconnecting

There are several ways to disconnect your Xperia™ device from or reconnect it with the **BSC10** accessory:

- On the Xperia™ device, deselect or select **BSC10** in the list of paired Bluetooth® devices.
- Place the Xperia™ device over the **BSC10** accessory so that the NFC detection area of each device touches the other.
- Press the Bluetooth pairing button.

Legal information

SONY BSC10



Prior to use, please read the *Important information* leaflet separately provided.

This User guide is published by Sony Mobile Communications AB or its local affiliated company, without any warranty. Improvements and changes to this User guide necessitated by typographical errors, inaccuracies of current information, or improvements to programs and/or equipment, may be made by Sony Mobile Communications AB at any time and without notice. Such changes will, however, be incorporated into new editions of this User guide.

All rights reserved.

©Sony Mobile Communications AB, 2014

Interoperability and compatibility among Bluetooth® devices varies. Device generally supports products utilizing Bluetooth spec. 1.2 or higher, and Headset or Handsfree profile.

Sony is the trademark or registered trademark of Sony Corporation. Bluetooth is the trademark of the Bluetooth (SIG) Inc. and is used under license. All other marks are the property of their respective owners. All rights reserved.

All product and company names mentioned herein are the trademarks or registered trademarks of their respective owners. Any rights not expressly granted herein are reserved. All other trademarks are property of their respective owners.

Visit www.sonymobile.com for more information.

All illustrations are for illustration only and may not accurately depict the actual accessory.

DECLARATION OF CONFORMITY FOR BSC10

We, Sony Mobile Communications AB of

Nya Vattentorget

SE-221 88 Lund, Sweden

declare under our sole responsibility that our product

Sony type **RD-0110, VGP-AC19V75 and VGP-AC19V76**

to which this declaration relates is in conformity with the appropriate standards **EN 300 328:V1.8.1, EN301 489-7:V1.3.1, EN 301 489-17:V2.2.1, EN 301 489-3:V1.6.1 and EN 60 950-1:2006 +A11:2009 +A1:2010 +A12:2011** following the provisions of, Radio Equipment and Telecommunication Terminal Equipment directive 1999/5/EC.

Lund, April 2014

CE 0682

Pär Thuresson,
Quality Officer, SVP, Quality & Customer Services

FCC Statement

This device complies with Part 15 of the FCC rules. Operation is subject to the following two conditions: (1) This device may not cause harmful interference, and (2) This device must accept any interference received, including interference that may cause undesired operation. Any change or modification not expressly approved by Sony may void the user's authority to operate the equipment.



This equipment has been tested and found to comply with the limits for a Class B digital device, pursuant to Part 15 of the FCC Rules. These limits are designed to provide reasonable protection against harmful interference in a residential installation. This equipment generates, uses and can radiate radio frequency energy and, if not installed and used in accordance with the instructions, may cause harmful interference to radio communications. However, there is no guarantee that interference will not occur in a particular installation.

If this equipment does cause harmful interference to radio or television reception, which can be determined by turning the equipment off and on, the user is encouraged to try to correct the interference by one or more of the following measures:

- Reorient or relocate the receiving antenna.
- Increase the separation between the equipment and receiver.
- Connect the equipment into an outlet on a circuit different from that to which the receiver is connected.
- Consult the dealer or an experienced radio/TV technician for help.

AVISO IMPORTANTE PARA MÉXICO

La operación de este equipo está sujeta a las siguientes dos condiciones: (1) es posible que este equipo o dispositivo no cause interferencia perjudicial y (2) este equipo o dispositivo debe aceptar cualquier interferencia, incluyendo la que pueda causar su operación no deseada.

Para consultar la información relacionada al número del certificado, refiérase a la etiqueta del empaque y/o del producto.

Industry Canada Statement

This device complies with RSS-210 of Industry Canada.

Operation is subject to the following two conditions: (1) this device may not cause interference, and (2) this device must accept any interference, including interference that may cause undesired operation of the device.

This Class B digital apparatus complies with Canadian ICES-003.

Cet appareil numérique de la classe B est conforme à la norme NMB-003 du Canada.

Avis d'industrie Canada

Le présent appareil est conforme aux CNR d'Industrie Canada applicables aux appareils radio exempts de licence.

L'exploitation est autorisée aux deux conditions suivantes: (1) l'appareil ne doit pas produire de brouillage, et, and (2) l'utilisateur de l'appareil doit accepter tout brouillage radioélectrique subi, même si le brouillage est susceptible d'en compromettre le fonctionnement.

Free Manuals Download Website

<http://myh66.com>

<http://usermanuals.us>

<http://www.somanuals.com>

<http://www.4manuals.cc>

<http://www.manual-lib.com>

<http://www.404manual.com>

<http://www.luxmanual.com>

<http://aubethermostatmanual.com>

Golf course search by state

<http://golfingnear.com>

Email search by domain

<http://emailbydomain.com>

Auto manuals search

<http://auto.somanuals.com>

TV manuals search

<http://tv.somanuals.com>