

/ Marley AV Series Cooling Tower /



SPX
COOLING TECHNOLOGIES



The AV Series has 38 factory assembled tower models with 117-390 nominal tons per cell.

The Marley AV™ Series cooling tower is designed to minimize your costs and maximize your cooling performance through quick, easy installation and energy-efficient operation. Its single flow, induced draft crossflow design offers you pump and fan energy savings in a small footprint installation. The AV is an excellent replacement for forced draft counterflow cooling tower installations.

Every AV cooling tower benefits from all the knowledge and experience Marley has compiled from manufacturing cooling products for commercial and industrial use since 1922.



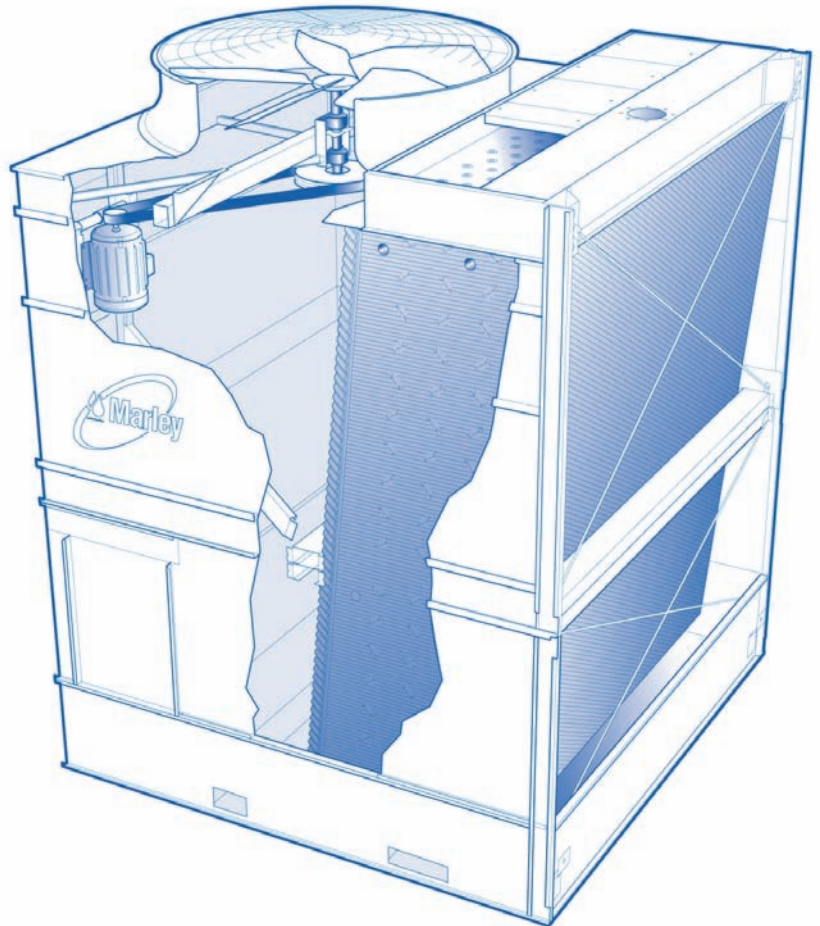
/ Key Benefits /

- **Ideal Replacement**
Designed to easily replace forced draft blower towers or other space sensitive installations.
- **Low Energy Costs**
Highly efficient propeller fans consume half the energy of blowers. And, gravity water distribution provides further savings thru lower total pump head.
- **Easy Access**
Large, 30" x 42" access doors on both endwalls and "stand-up" plenum area help make the AV easy to service with generous access to the basin and mechanical equipment. No "paint can lid" access hatches.
- **Low Piping Costs**
Single inlet connection for easy and fast installation.
- **Long Life**
Rugged G-235 galvanized steel frame, quality factory assembly. (Optionally available in 300 stainless steel.)
- **All Season Reliability**
Integral louvers eliminate splash-out so towers operate virtually ice-free in the winter.
- **Real World Design**
Designed for severe wind, seismic, shipping, operating and live loads.
- **Tough MX High-Performance Film Fill**
Highly efficient cellular drift eliminators and honeycomb louvers integrally molded within the fill sheets.
- **Aluminum-Alloy Axial Fan**
Adjustable-pitch fan blades permit maximum utilization of rated horsepower—allows field adjustment to optimize tower performance.
- **Rugged Fan Motor**
TEFC 1.15 service factor, severe duty, cast iron motor designed to Marley specifications for cooling tower duty. Specially insulated for extra protection from moisture.
- **Five-Year Mechanical Warranty**
Five-year mechanical equipment warranty.

/ Features /

AV Air Movement System

- Streamlined eased inlet fan cylinder assures full area, low turbulence airflow through the cylinder.
- Heavy duty aluminum alloy fan—adjustable pitch blades.
- 7.5 hp and larger fans are driven by a high quality, solid backed, multi-grooved neoprene and polyester v-belt thru a corrosion resistant aluminum alloy fan sheave.
- Heavy duty, self-aligning, grease lubricated roller bearings selected with an L₁₀ design life of 50,000 to 100,000 hours support the fan and shaft.
- TEFC fan motor, 1.15 service factor, variable torque design, specially insulated for cooling tower duty.
- The AV air movement system is guaranteed against failure for a period of five full years from date of shipment. Includes fan, fan shaft, bearings and mechanical equipment support.



AV Water Distribution System

- Gravity flow distribution system. Easy, nonrestrictive maintenance. Basin covers are standard.
- Marley Spiral Target polypropylene nozzles for consistent, predictable water distribution.
- Marley MX thermoformed PVC film fill is suspended from the upper tower structure by heavy galvanized steel support members providing clearance between fill and sloping self-cleaning collection basin floor for easy basin cleaning. Integral eliminators and louvers keep circulating water confined to fill over a wide range of air flow rates.

AV Structure

- Crossflow configuration — easier and safer to inspect, service and maintain.
- G-235 heavy galvanized steel. Also available in 300 stainless steel.
- Factory-assembled modules, including fan cylinders — makes final field installation hassle-free.
- Large Access Doors—the generous plenum region in the AV tower is nonconfining, permitting quick visual inspection of cold water basin, internal structure, drift eliminators and mechanical equipment.

Note: For economical transportation, AV towers are also available unassembled and crated for export.

For Safety Reasons—always shut down and lock out the fan motor before entering the plenum.

/ Optional Equipment and Accessories /

Enhance your AV tower installation with options and accessories that will improve the operation, longevity, maintenance, and accessibility of your cooling tower.

■ **Stainless Steel Distribution Basin**

Corrosion is usually most aggressive in the hot water distribution basins—stainless steel provides assurance of long, trouble-free service life.

■ **Marley Control System Package**

Factory-wired, factory-installed, factory-tested control center in NEMA 3R enclosure mounted on tower casing near access door. Complete with thermostat controller for single or two-speed motors to maintain chosen cold water temperature.

■ **Inlet Trash Screens**

Factory-installed, U-edged, galvanized wire mesh screens work in concert with the internal cellular louvers.

■ **External Service Platform**

Provides easy access to distribution system without increasing installed height of tower. Platform with OSHA guardrails is Factory Mounted, eliminating installation labor cost and time. Field-installed ladder with optional safety cage for easy access.

■ **Stainless Steel Collection Basin**

All collection basin parts in the wetted area—including structural members projecting in the basin, assembly and attaching hardware, and all basin options, are heavy-gauge Series 300 stainless steel.



The AV Engineering Data and Specifications Manual AV-TS provides engineering schematics, data, and information necessary for initial tower layout and details the tower in the form of specification language, providing technical as well as common-sense information on the importance of your specifications. Available on the web at spxcooling.com or see your Marley sales representative for a copy.

The Marley UPDATE™ web-based application software provides model selections perfectly tuned to your cooling water system. Functions include model selection, specifications, model optimization, performance curves, engineering data, and free cooling applications. Available to both registered customers and guests at spxcooling.com. If we can help in any way, feel free to call. To find the Marley representative nearest you call 1 800 462 7539 or check the web at spxcooling.com.

SPX®

COOLING TECHNOLOGIES

7401 WEST 129 STREET
OVERLAND PARK, KANSAS 66213
UNITED STATES
913 664 7400
spxcooling@spx.com
spxcooling.com

In the interest of technological progress, all products are subject to design and/or material change without notice.
©2008 SPX Cooling Technologies, Inc.
Printed in USA | AV-07A

Free Manuals Download Website

<http://myh66.com>

<http://usermanuals.us>

<http://www.somanuals.com>

<http://www.4manuals.cc>

<http://www.manual-lib.com>

<http://www.404manual.com>

<http://www.luxmanual.com>

<http://aubethermostatmanual.com>

Golf course search by state

<http://golfingnear.com>

Email search by domain

<http://emailbydomain.com>

Auto manuals search

<http://auto.somanuals.com>

TV manuals search

<http://tv.somanuals.com>