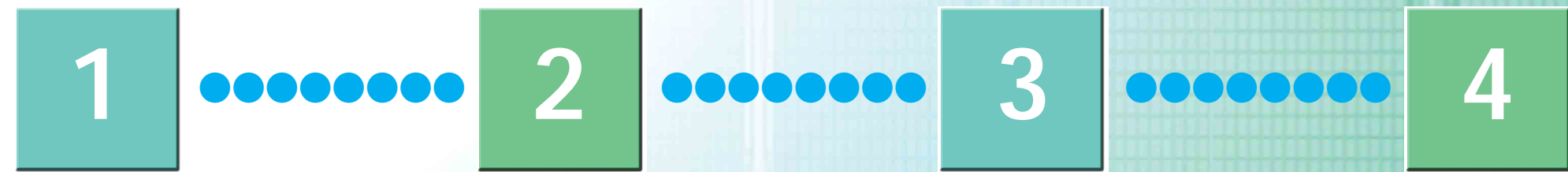


KE-42M1

# Quick Setup Guide

Please follow the steps to setup your TV:



1  
Checking the Supplied Accessories

2  
Connecting your TV (See diagram on reverse)

3  
Tuning Your TV Automatically

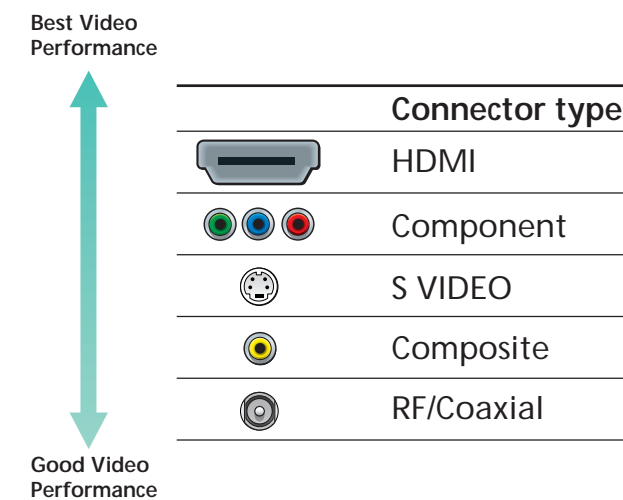
4  
Programming the Remote Control

If your product is not working properly **DO NOT RETURN TO THE STORE.** For service and technical assistance Call our Customer Information Service Center (Toll Free): 1-800-222-7669 for US residents. 1-877-899-SONY (7669) for Canadian residents.

Sony Corporation © 2004 Printed in JAPAN

## Making Video Connections

Your TV includes several types of video inputs. Use the inputs that are available on your components that provide the best video performance, as described below.



## Additional Connections

For best audio performance, connect your digital audio components using either digital optical or digital coaxial audio connections. Depending on which components are in your system, you may need to complete additional connections. For example, if you have a satellite receiver, you'll need to connect the satellite antenna. If you have an A/V receiver, you'll need to connect speakers.

The connection diagrams shown in the reverse side are recommendations only; other possible solutions may exist. Connections that include an A/V receiver can often be very complex, so check your A/V receiver's instruction manual for additional details.

## 4 Programming the Remote Control

The remote control is preset to operate Sony brand video equipment.

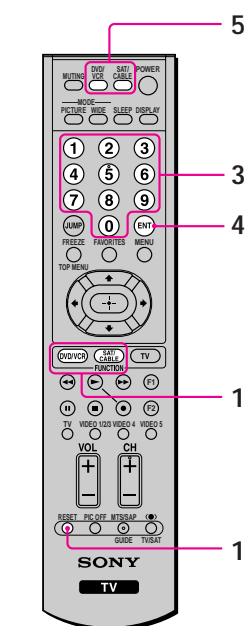
Sony Equipment	Programmable Code Number
DVD/VCR	701 (Sony Dream System)
SAT/Cable	801 (Satellite Cable Box)

If you have video equipment other than Sony brand that you want to control with the TV's remote control, use the following procedures to program the remote control.

### Note

The equipment must have infrared (IR) remote capability in order to be used with this remote control.

Using the code list below, find the three-digit code number for the manufacturer of your equipment. (If more than one code number is listed, use the number listed first.)



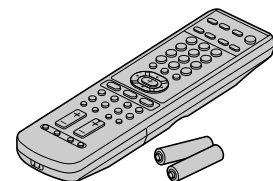
- Press the DVD/VCR (FUNCTION) and RESET buttons simultaneously, or press the SAT/CABLE (FUNCTION) and RESET buttons simultaneously.
- Press the function button you want to program.  
**To program a cable box or a satellite receiver**  
Press SAT/CABLE (FUNCTION).  
**To program video equipment**  
Press DVD/VCR (FUNCTION).
- Enter the three-digit manufacturer's code number using the 0-9 buttons.
- Press ENT (enter).
- To check if the code number works, aim the TV's remote control at the equipment and press DVD/VCR and/or SAT/CABLE (POWER) that corresponds with that equipment. If it responds, the programming is completed. If not, try using the other codes listed for that manufacturer.

### Tips

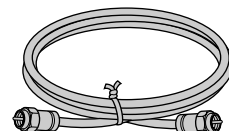
- If more than one code number is listed, try entering them one by one until you come to the correct code for your equipment.
- If you enter a new code number, the code number you previously entered at that setting is erased.

## 1 Checking the Supplied Accessories

Remote control (RM-Y1003) (1) and size AA batteries (2)



75-ohm coaxial cable (1)



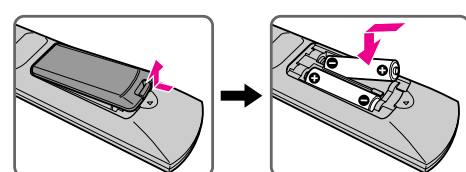
AC power cord (1)



- Clamp screws (2)
- Plug Holder for AC Power Cord (1)
- Cleaning Cloth (1)
- Operating Instructions (1)
- Quick Setup Guide (1)
- Warranty Card (1)

## Inserting Batteries into the Remote Control

Insert two size AA batteries (supplied) by matching the + and - on the batteries to the diagram inside the remote control's battery compartment.



## 2 Connecting your TV

Review the following chart to determine which diagram to use to connect the components in your system:

For these components	See diagram on reverse
Cable Box, VCR, DVD Player	A
Cable Box, VCR, DVD Player, AV Receiver	B
Cable Box, VCR, DVD Player, Satellite Receiver	C
Cable Box, VCR, DVD Player, AV Receiver, Digital Recorder	D
HD Cable Box, VCR, DVD Player	E
Cable Box, VCR, Sony Dream System	F

- See the "Cables Required" chart that appears with the diagram to determine which cables you'll need. You may need to purchase extra accessories, such as cables and splitters, depending on the components you plan to connect.
- Turn off and unplug all components before making connections.
- If you are connecting a digital cable box, you'll need a special bi-directional splitter that's compatible with your cable box. Contact your cable provider for details.

## 3 Tuning Your TV Automatically

1 Press  $\text{Power}$  on the TV. The Auto Setup menu automatically appears on the screen when you turn on the TV for the first time.

2 Press CH+ on the remote control or on the drop down panel of your TV to perform Auto Program. When all the receivable channels are stored, the "Channel Skip/Add" menu appears.

Auto Program is set to scan cable TV channels by default. To watch VHF/UHF channels with an antenna, see "To watch VHF/UHF channels with an antenna" in the operating instructions.

If you need to perform Auto Program again

- Press MENU.
- Press  $\uparrow/\downarrow$  to select  $\text{Channel}$ , then press  $\text{Enter}$ .
- Press  $\uparrow/\downarrow$  to select "Auto Program," then press  $\text{Enter}$ .
- Press "OK."

"Auto Program" appears and the TV starts scanning and presetting channels automatically. When all the receivable channels are stored, the "Channel Skip/Add" menu appears. Using this menu, you can start skipping unwanted channels (see "To skip channels" in the operating instructions).

- Press MENU to exit the menu screen.

Manufacturer's codes	Manufacturer	Code	Manufacturer	Code
<b>DVD</b>	Fisher	330, 335	Sylvania	308, 309, 338, 310
<b>DVD changer</b>	Funai	338	Symphonic	338
<b>DVD 5.1ch</b>	General Electronics	329, 304, 309	Tashiro	332
<b>VCR</b>	Go Video	322, 339, 340	Tatung	314, 336, 337
<b>Manufacturer Code</b>	Goldstar	332	Teac	314, 336, 338, 337
Sony	Hitachi	306, 304, 305, 338	Technics	309, 308
General Electric	JVC	309, 308	Toshiba	312, 311
Hitachi	JC Penney	309, 305, 304, 330, 314, 336, 337	Wards	327, 328, 335, 331, 332
Magnavox	JVC	314, 336, 337, 345, 346, 347	Yamaha	314, 330, 336, 337
Mitsubishi	Panasonic	314, 336, 337	Zenith	331
Panasonic	Philips	314, 336, 337		
Phillips	Pioneer	314, 336, 332, 337	<b>Cable Box</b>	
Pioneer	LG	332	<b>Manufacturer Code</b>	
RCA, Proscan	LXI (SEARS)	332, 305, 330, 335, 338	Sony	230
Samsung	Magnavox	308, 309, 310	Hamlin/Regal	222, 223, 224, 225, 226
Toshiba	Marantz	314, 336, 337	Jerrold, G.I.	201, 202, 203, 204, 205, 206, 207, 208, 218, 222
Zenith	Marta	332	Oak	227, 228, 229
	Memorex	309, 335	Panasonic	219, 220, 221
	Minolta	305, 304	Pioneer	214, 215
	Mitsubishi/MGA	323, 324, 325, 326	Scientific Atlanta	209, 210, 211
	Multitech	325, 338, 321	Tocom	216, 217
	NEC	314, 336, 337	Zenith	212, 213
	OLYMPIC	309, 308		
	Optimus	327	<b>Satellite Receiver</b>	
	Orion	317	<b>Manufacturer Code</b>	
	Sony (DAV)	601, 602, 603, 604	Sony	801
	Pentax	305, 304	Dish Network	810
	Philco	308, 309	EchoStar	810
	Phillips	308, 309, 310	General Electric	802
	Pioneer	308	Hitachi	805
	Quasar	308, 309, 306	Hugues	804
	RCA/PROSCAN	304, 305, 308, 309, 311, 312, 313, 310, 329	Mitsubishi	809
	Realistic	309, 330, 328, 335, 324, 338	Panasonic	803
	Sansui	314	RCA/PROSCAN	802, 808
	Samsung	322, 313, 321	Toshiba	806, 807
	Sanyo	330, 335		
	Scott	312, 313, 321, 335, 323, 324, 325, 326		
	Sharp	327, 328		
	Signature 2000 (M.Ward)	338, 327		
	SV 2000	338		

\* If an Aiwa VCR does not work even though you enter the code for Aiwa, enter the code for Sony instead.

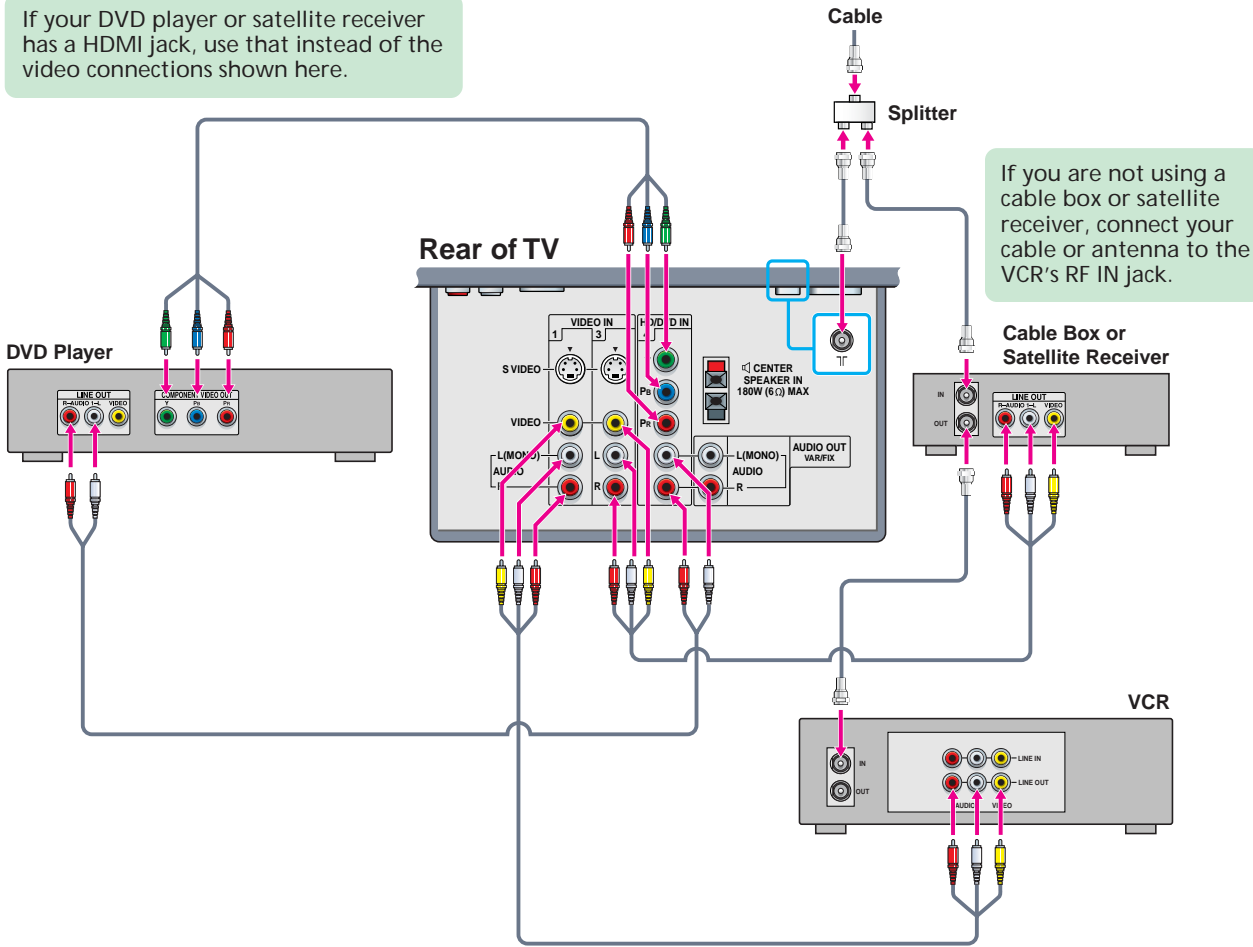
# A

Use this diagram if you have;



Cables Required	
Splitter	1
Coaxial	4
Composite	2
Component	1
Audio	1

If your DVD player or satellite receiver has a HDMI jack, use that instead of the video connections shown here.



If you are not using a cable box or satellite receiver, connect your cable or antenna to the VCR's RF IN jack.

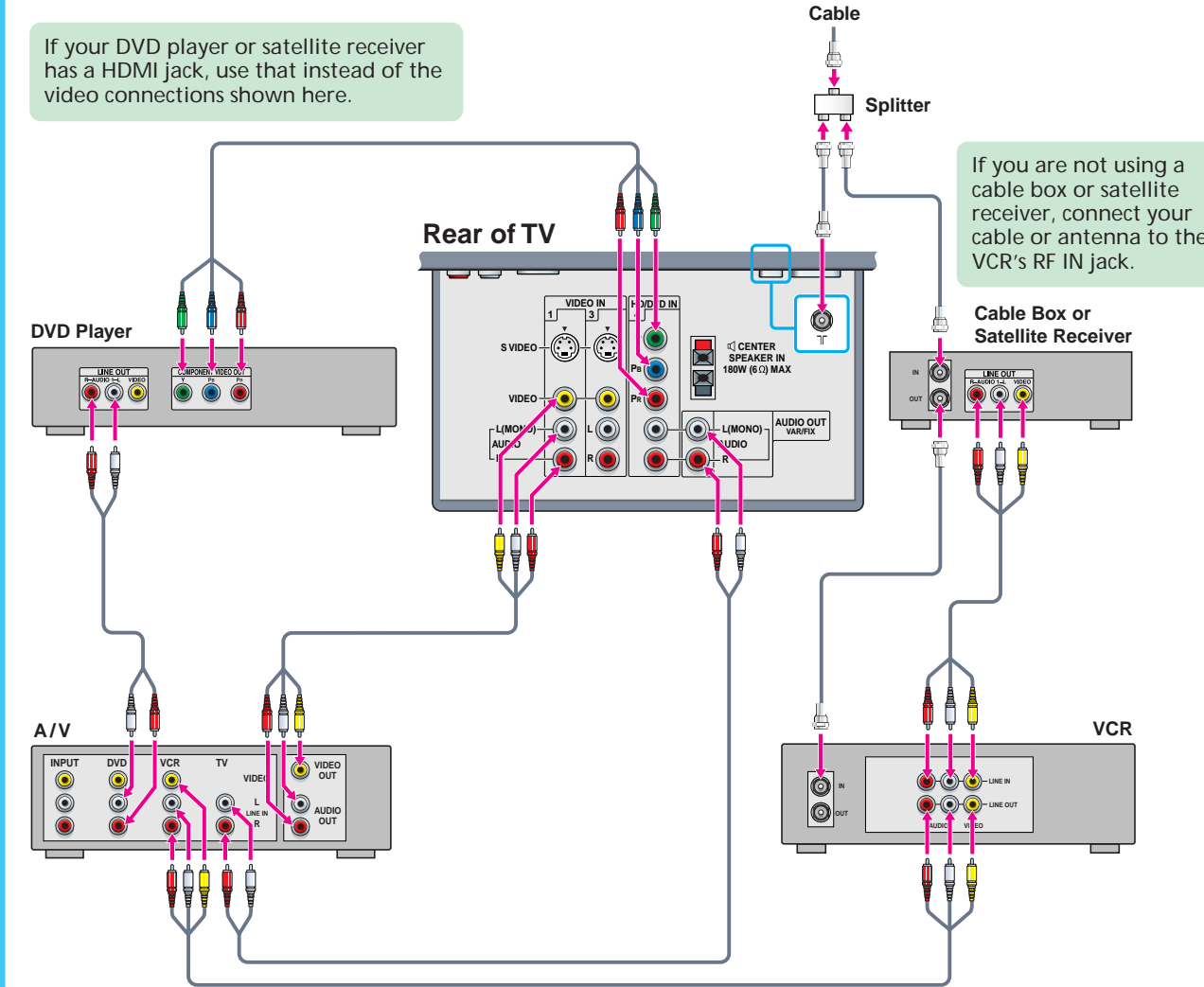
# B

Use this diagram if you have;



Cables Required	
Splitter	1
Coaxial	4
Composite	3
Component	1
Audio	2

If your DVD player or satellite receiver has a HDMI jack, use that instead of the video connections shown here.



If you are not using a cable box or satellite receiver, connect your cable or antenna to the VCR's RF IN jack.

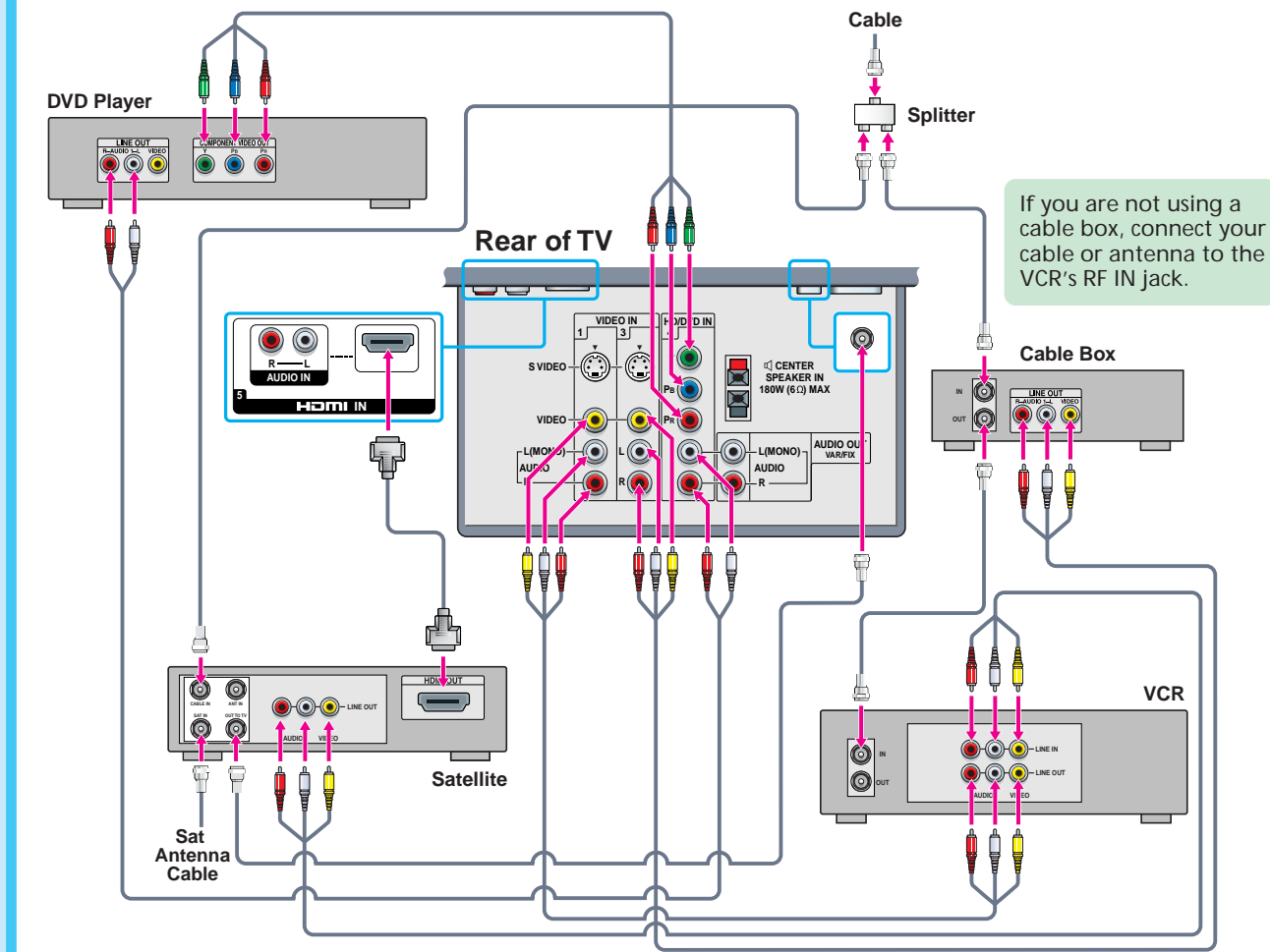
# C

Use this diagram if you have;



Cables Required	
Splitter	1
Coaxial	5
Composite	3
Component	1
HDMI	1
Audio	1

If your DVD player or satellite receiver has a HDMI jack, use that instead of the video connections shown here.



If you are not using a cable box or satellite receiver, connect your cable or antenna to the VCR's RF IN jack.

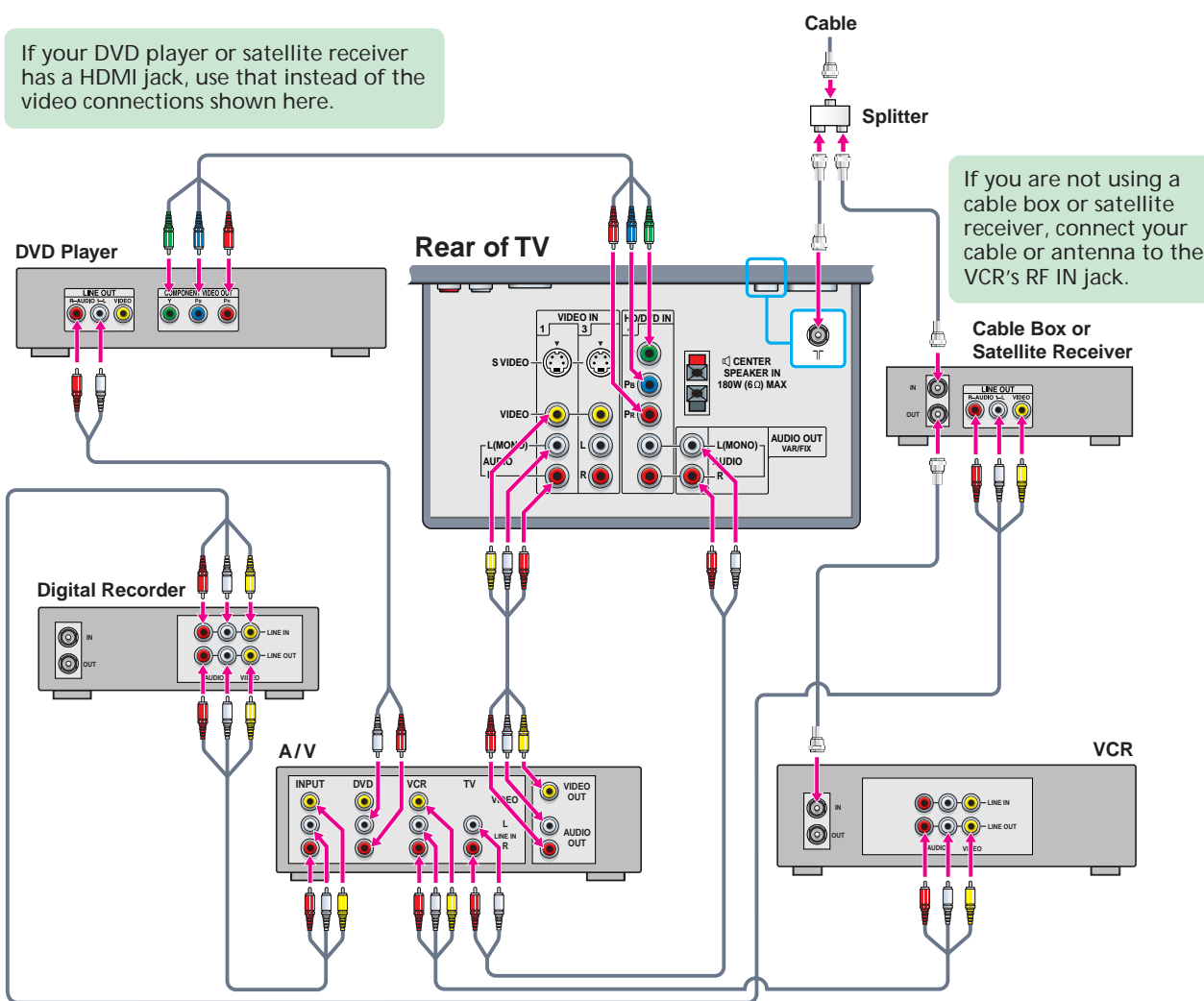
# D

Use this diagram if you have;



Cables Required	
Splitter	1
Coaxial	4
Composite	4
Component	1
Audio	2

If your DVD player or satellite receiver has a HDMI jack, use that instead of the video connections shown here.



If you are not using a cable box or satellite receiver, connect your cable or antenna to the VCR's RF IN jack.

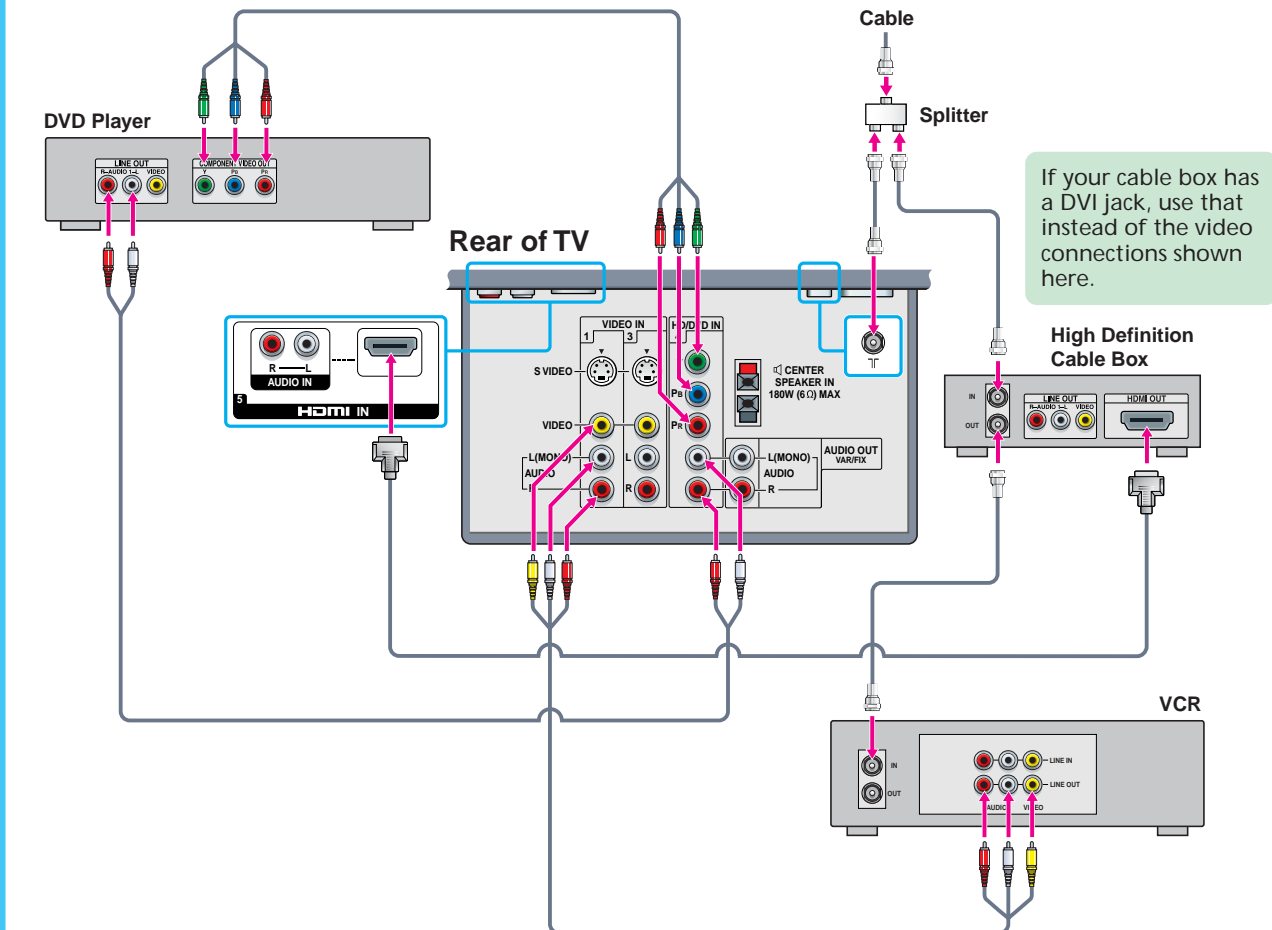
# E

Use this diagram if you have;



Cables Required	
Splitter	1
Coaxial	4
Composite	1
Component	1
HDMI	1
Audio	1

If your DVD player or satellite receiver has a HDMI jack, use that instead of the video connections shown here.



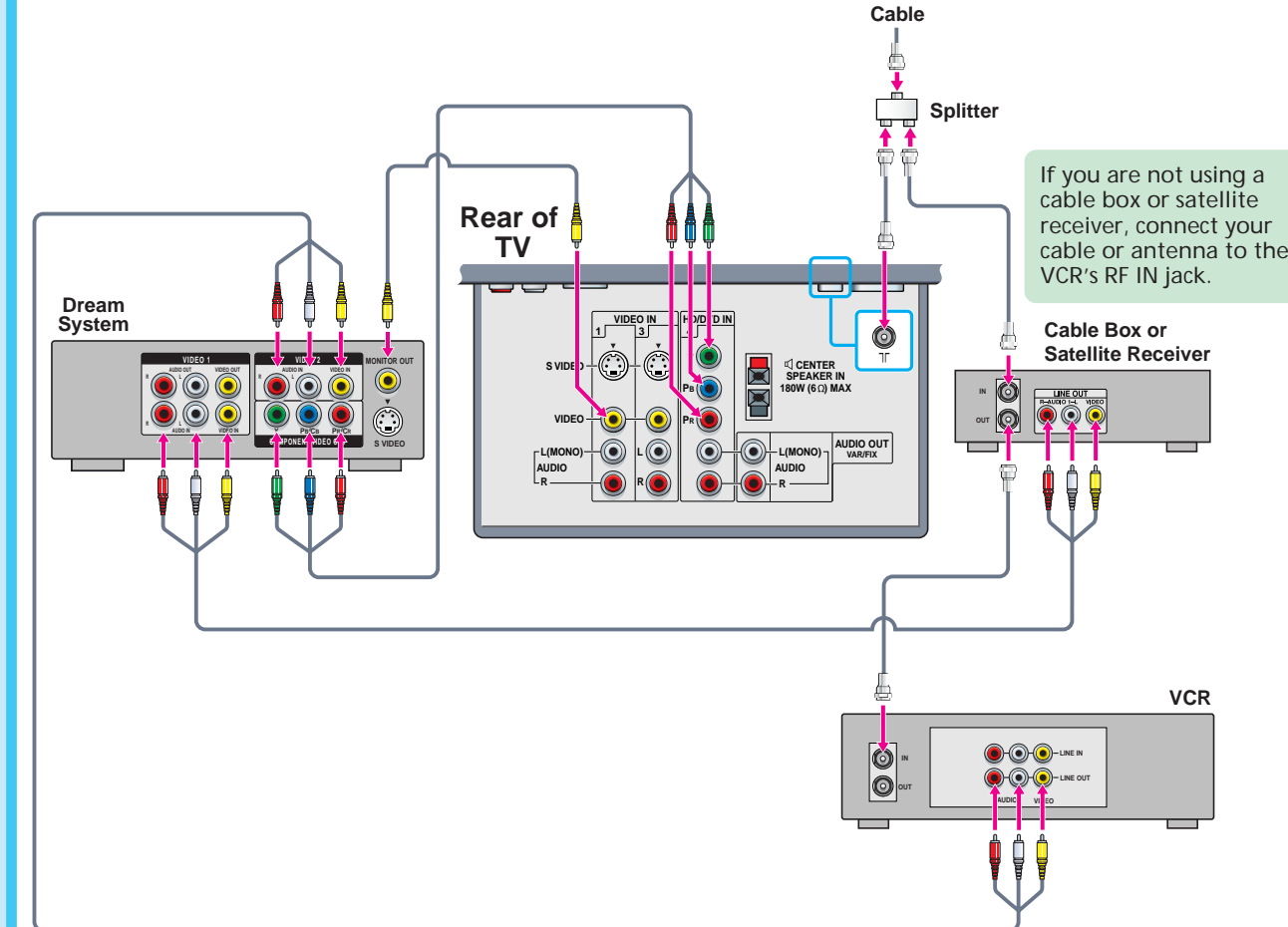
If your cable box has a DVI jack, use that instead of the video connections shown here.

# F

Use this diagram if you have;



Cables Required	
Splitter	1
Coaxial	4
Composite	2
Component	1
Video	1



If you are not using a cable box or satellite receiver, connect your cable or antenna to the VCR's RF IN jack.

## Free Manuals Download Website

<http://myh66.com>

<http://usermanuals.us>

<http://www.somanuals.com>

<http://www.4manuals.cc>

<http://www.manual-lib.com>

<http://www.404manual.com>

<http://www.luxmanual.com>

<http://aubethermostatmanual.com>

Golf course search by state

<http://golfingnear.com>

Email search by domain

<http://emailbydomain.com>

Auto manuals search

<http://auto.somanuals.com>

TV manuals search

<http://tv.somanuals.com>