

# SONY

---

## INSTALLATION MANUAL



**SFM1**

---

Sony Electronics, Inc.  
16540 West Bernardo Drive  
San Diego, CA 92127  
[www.sony.com](http://www.sony.com)



# SONY

## Table Of Contents

Warning Statements .....	4
Parts List .....	5
Flat Panel List .....	5
Installation Tools .....	5
Flat Panel Mount Location .....	6
Mounting Bracket Positioning .....	6
Griplates™ .....	9
Wood Stud Location .....	10
Marking The Mounting Points .....	11
Securing The Wall Plate To The Wooden Studs .....	12
Securing The Wall Plate To A Concrete Wall .....	13
Securing The Flat Panel To The Wall Mount .....	14
Lateral Shift Adjustment .....	14
Security Cable .....	15
Technical Specifications .....	16
Warranty .....	17
Customer Support .....	17
Notes .....	18

## Warning Statements

**WARNING:** THE WALL STRUCTURE MUST BE CAPABLE OF SUPPORTING AT LEAST FIVE (5) TIMES THE WEIGHT OF THE DISPLAY. IF NOT, THE WALL STRUCTURE MUST BE REINFORCED. PROPER INSTALLATION PROCEDURE BY A QUALIFIED SERVICE TECHNICIAN, AS OUTLINED IN THE INSTALLATION INSTRUCTIONS, MUST BE ADHERED TO. FAILURE TO DO SO COULD RESULT IN SERIOUS PERSONAL INJURY, OR EVEN DEATH.

**WARNING:** SAFETY MEASURES MUST BE PRACTICED AT ALL TIMES DURING THE INSTALLATION OF THIS PRODUCT. USE PROPER SAFETY GEAR AND TOOLS FOR THE INSTALLATION PROCEDURE TO PREVENT PERSONAL INJURY.

**WARNING:** PRIOR TO THE INSTALLATION OF THIS PRODUCT, THE INSTALLATION INSTRUCTIONS SHOULD BE READ AND COMPLETELY UNDERSTOOD. THE INSTALLATION INSTRUCTIONS MUST BE READ TO PREVENT PERSONAL INJURY AND PROPERTY DAMAGE. KEEP THESE INSTALLATION INSTRUCTIONS IN AN EASILY ACCESSIBLE LOCATION FOR FUTURE REFERENCE.



Indicates that the power plug is to be disconnected from the power outlet.



Contact Sony Electronics with any questions.



Safety precautions must be taken at all times.



Warning and Caution statements.



Do not install on a structure that is prone to vibration, movement or chance of impact. Failure to do so could result in damage to the display and/or damage to the mounting surface.



Do not install near heater, fireplace, direct sunlight, air conditioning or any other source of direct heat energy. Failure to do so may result in damage to the display and could increase the risk of fire.



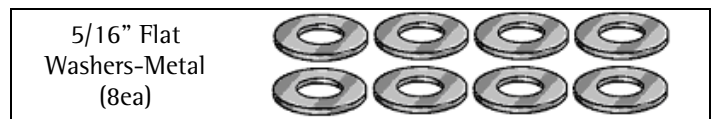
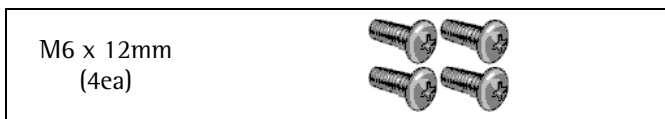
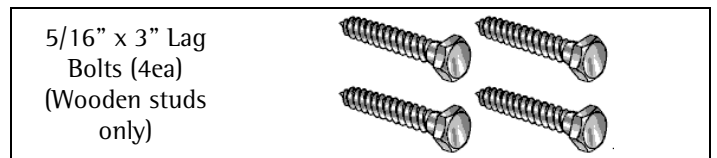
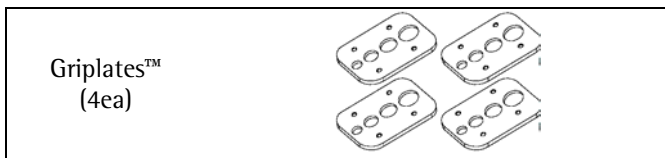
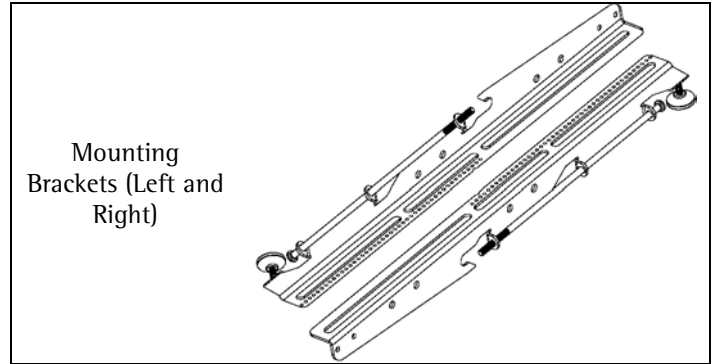
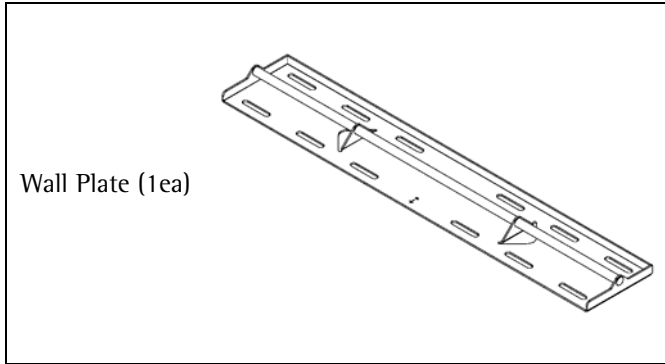
At least two qualified people should perform the installation procedure. Injury and/or damage can result from dropping or mishandling the plasma display.



Recommended mounting surfaces: wooden studs and solid-flat concrete. If the mount is to be installed on any surface other than wooden studs, use suitable hardware (which is commercially available).

## Parts List

**NOTE:** This wall mount is shipped with all proper installation hardware and components. Make sure that none of these parts are missing and/or damaged before beginning installation. If there are parts missing and/or damaged, please stop the installation and contact Sony Electronics (800)222-7669.



## Flat Panel List

### SONY

Fits All Sony Professional plasma and Large LCD Panels.

## Installation Tools

Phillips Head Screw Driver  
Soft Material/ Blanket

Portable Drill  
Pencil

1/4" Drill Bit  
Tape Measure

Level  
Wrench with 1/2" Drive Socket

## Flat Panel Mount Location

**WARNING:** INVERT THE FLAT PANEL PLACE IT ON A SOFT, FLAT SURFACE TO PREVENT DAMAGE TO THE FLAT PANEL. USE A BLANKET, FOAM, ETC. FAILURE TO DO SO WILL RESULT IN DAMAGING THE FLAT PANEL. DO NOT LAY THE FLAT PANEL ON THE FLOOR WITHOUT ANY PROTECTION TO THE GLASS. THE FLAT PANEL IS HEAVY AND FRAGILE. AT LEAST (2) QUALIFIED PERSONNEL ARE STRONGLY RECOMMENDED FOR INSTALLATION OF THIS PRODUCT. FAILURE TO DO SO COULD RESULT IN SERIOUS INJURY AND POSSIBLE DAMAGE TO THE FLAT PANEL.

1. Once the flat panel is inverted, use a measuring tape to find the center of your flat panel measuring from outside to outside of the chassis (Figure 1).
2. Using a pencil lightly mark the center of your flat panel (Figure 2).

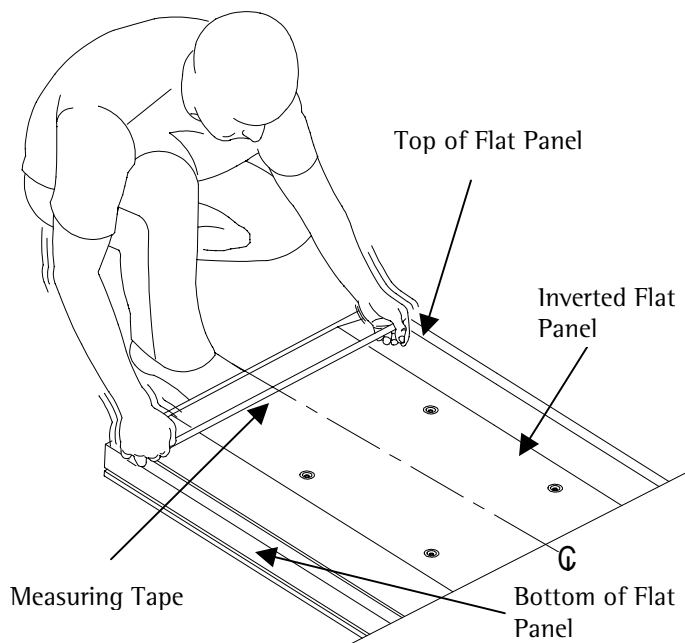


Figure 1. Flat Panel Mount Location

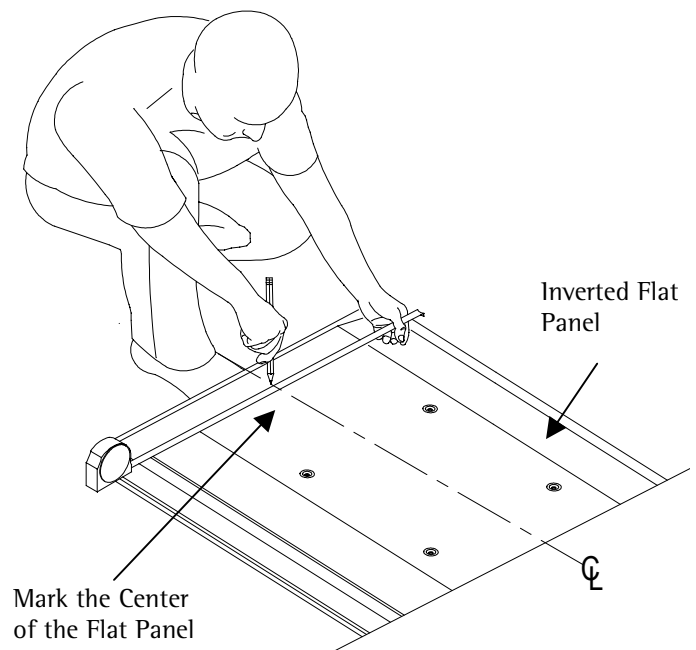


Figure 2. Marking the Mount

## Mounting Bracket Positioning

1. Install the nylon spacers to the mounting points on the flat panel (Figure 3)
2. Lay the left and right mounting brackets (stamped arrows facing out) (Figure 4).

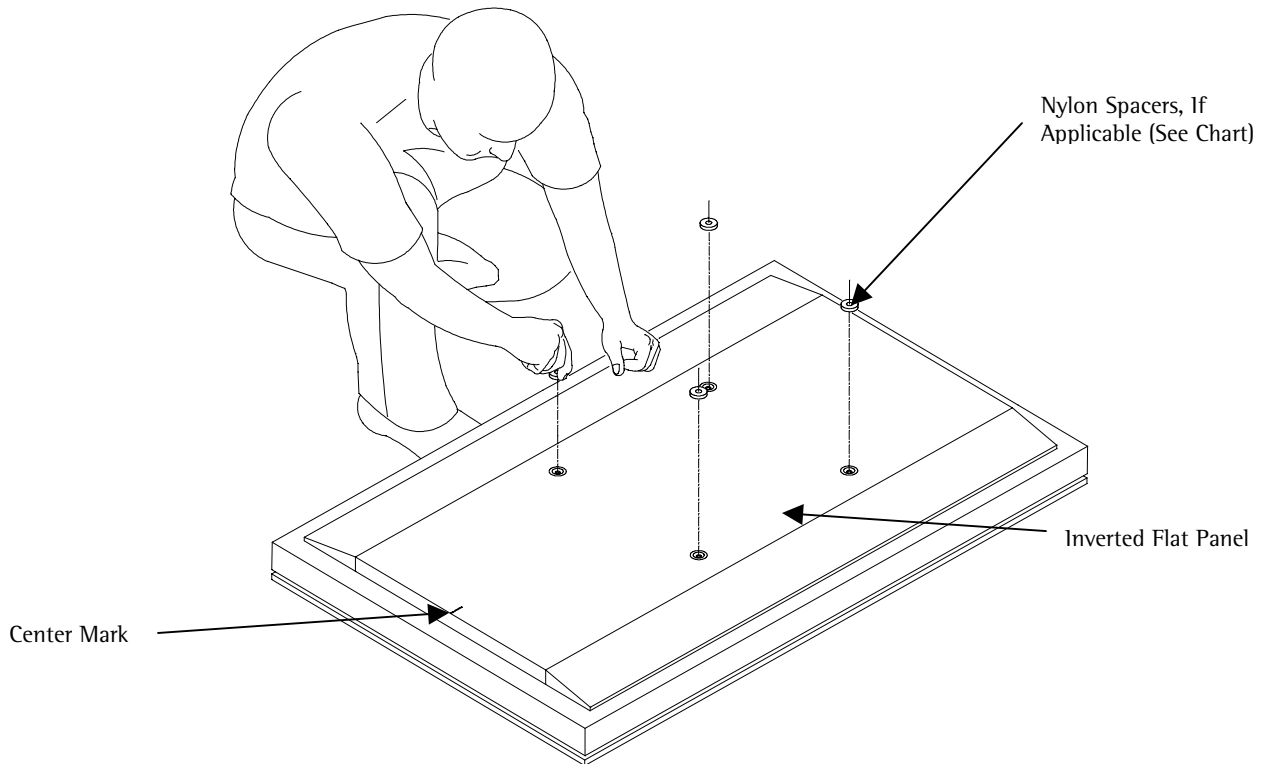


Figure 3. Mounting Bracket Positioning

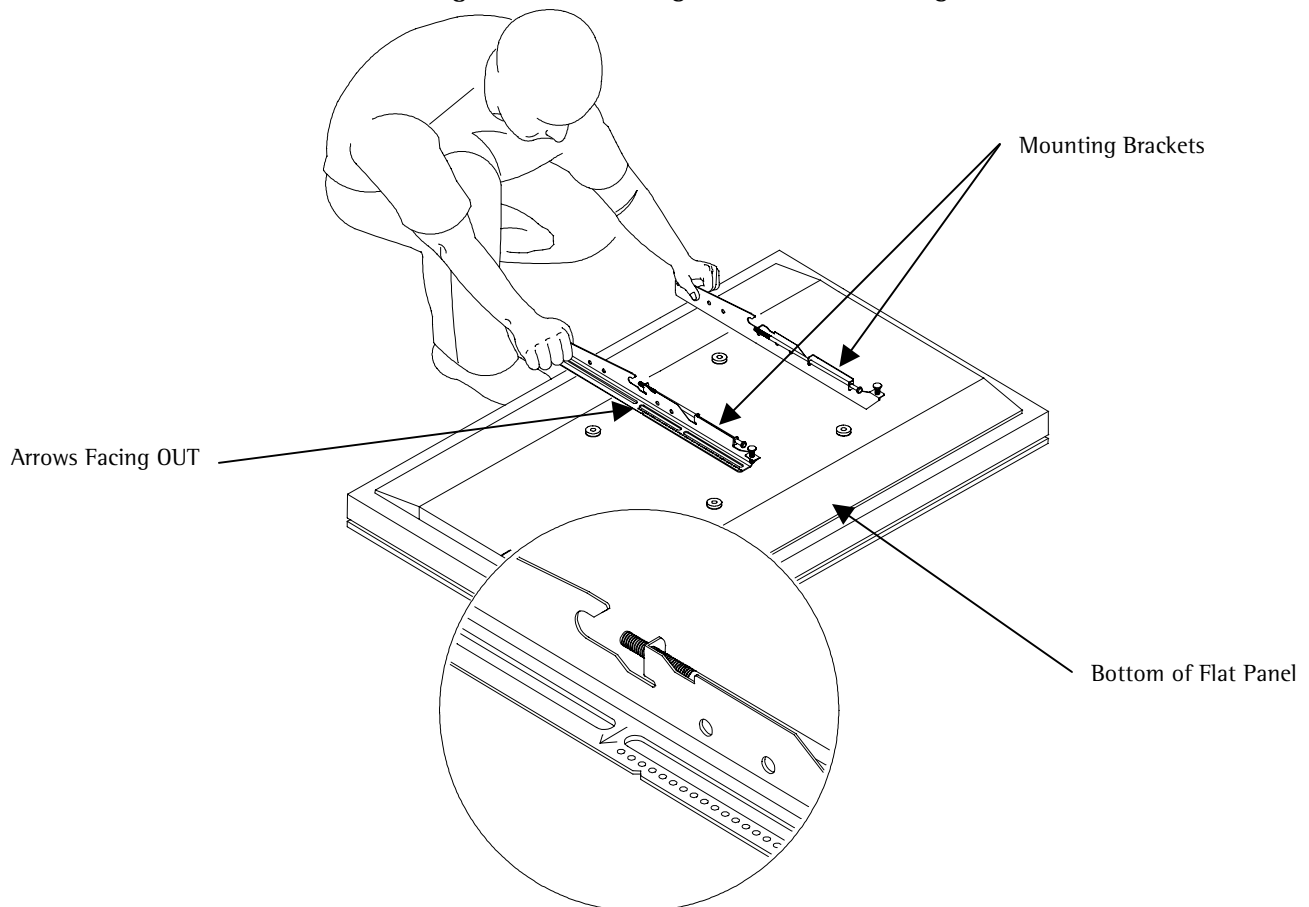


Figure 4. Mounting Bracket Installation

**NOTE:** The mounting guides are designed with a center viewing guide on the side of them. There will be a “notch” cut on the side of the bracket (Figure 5).

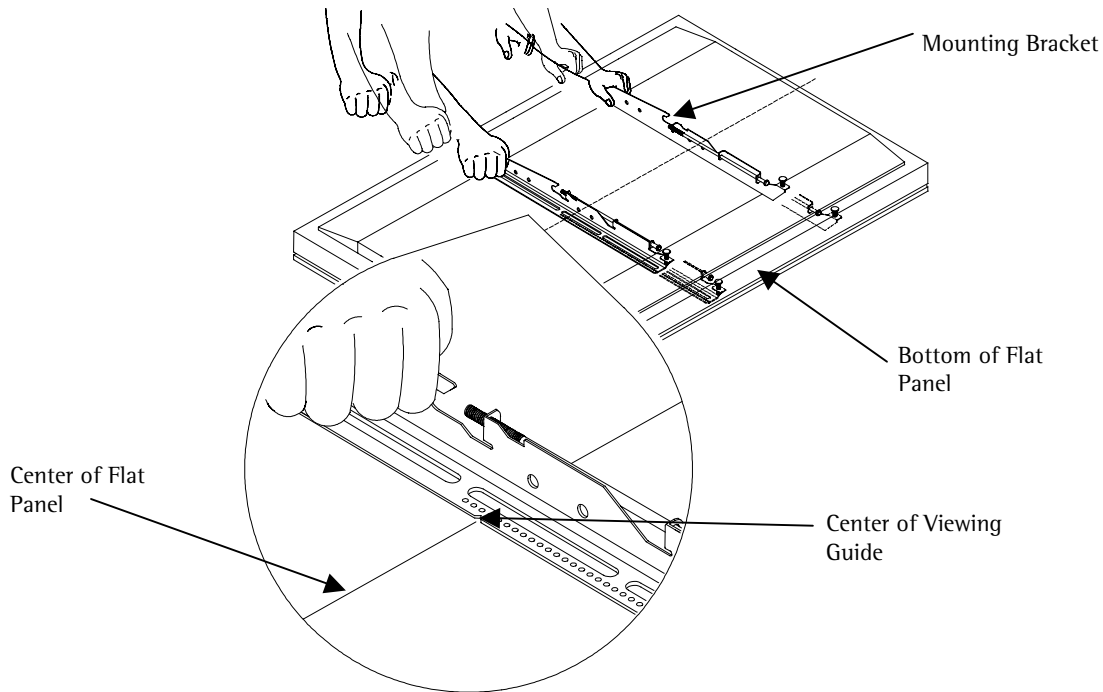


Figure 5. Locating the Center of the Flat Panel

3. Match the center of the viewing guide with the centerline you marked in Step 1 (Figure 6).

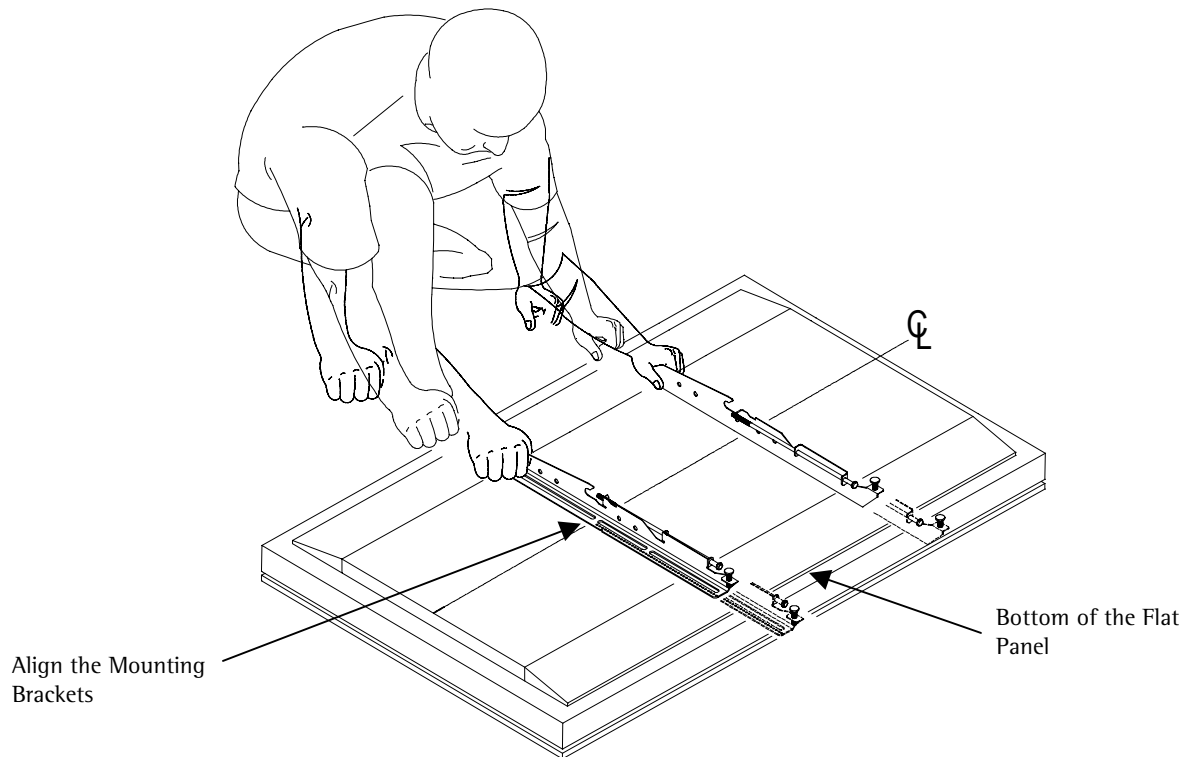


Figure 6. Adjusting the Mounting Brackets



## Griplates™

1. The Griplates™ have M4, M5, M6 and M8 hole patterns to fit the hardware that the flat panel requires.

**Examples:** If your display uses M8 x 20 Phillips head screws. Use the M8 mounting points (Figure 7).

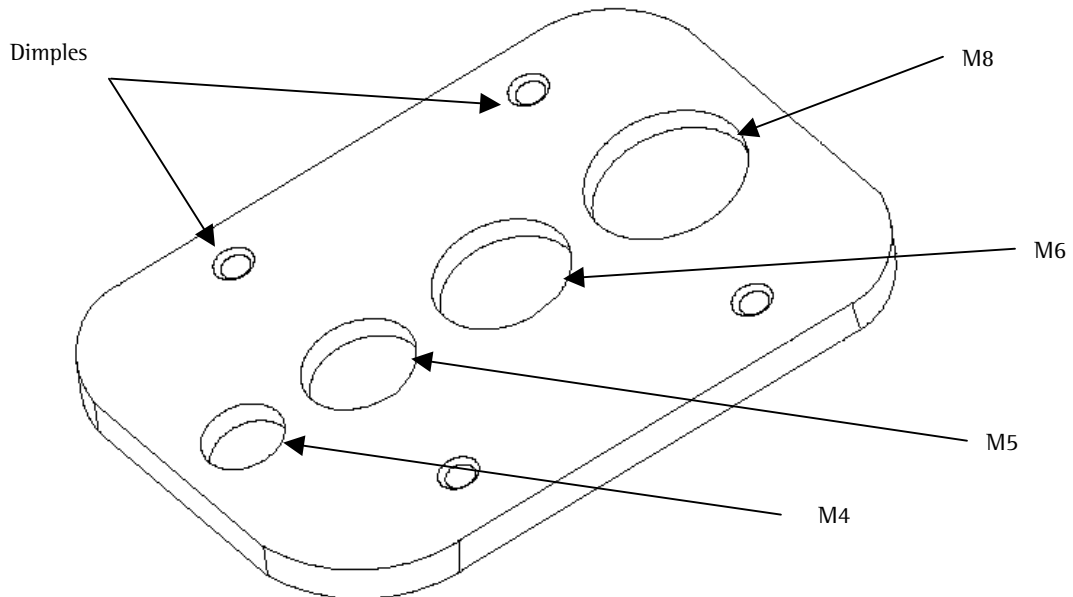


Figure 7. Griplates™ Orientation

2. Once the mounting brackets are aligned, secure the Griplate™ to the flat panel.

**NOTE:** The dimples of the top plates have to be facing up and the bottom dimples must be facing down. Use (1) Griplate™ per mounting point (Figure 8).

**NOTE:** Leave a 3/4" gap on both mounting brackets as shown on this diagram.

**CAUTION:** Do not over tighten the mounting hardware.

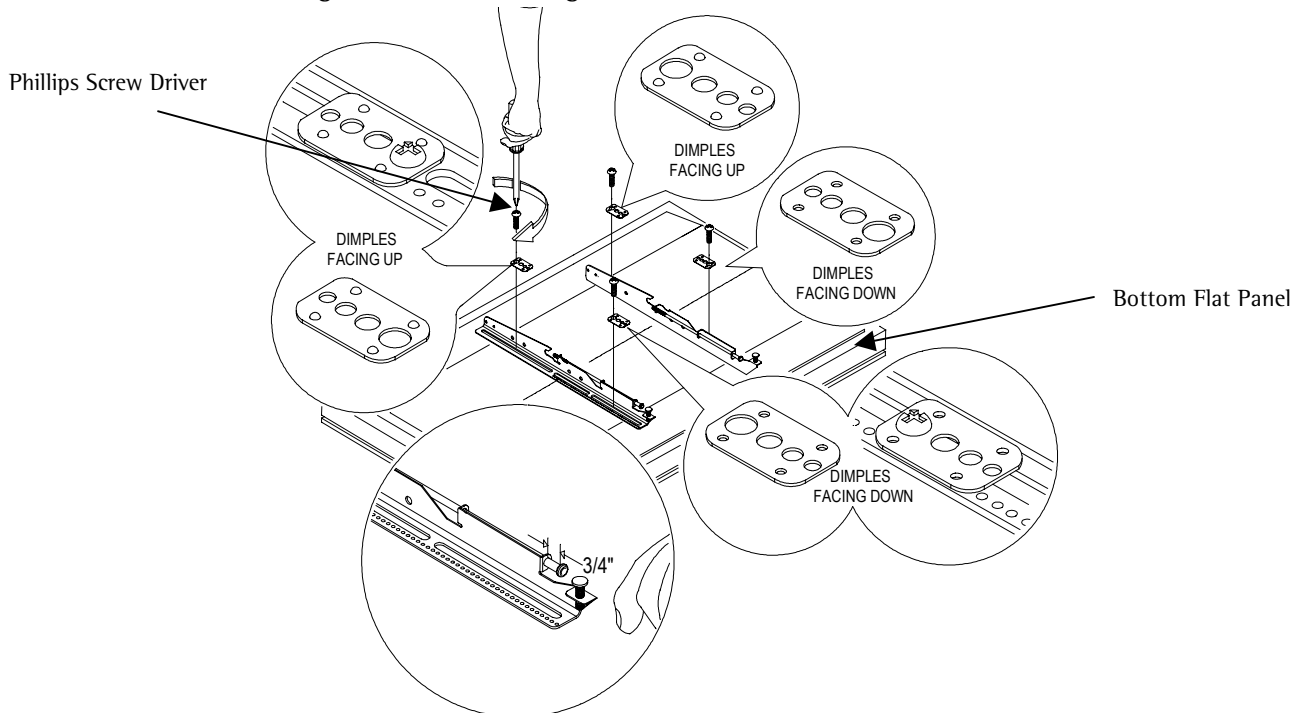


Figure 8. Griplate™ Attachment

## Wood Stud Location

1. Using a stud finder, locate the 16" or 24" stud centers behind the wall.
2. Once found, make a pencil mark on the center of the wood studs (Figure 9).

**NOTE:** The wall plates have three 16" and 12" mounting slot positions.

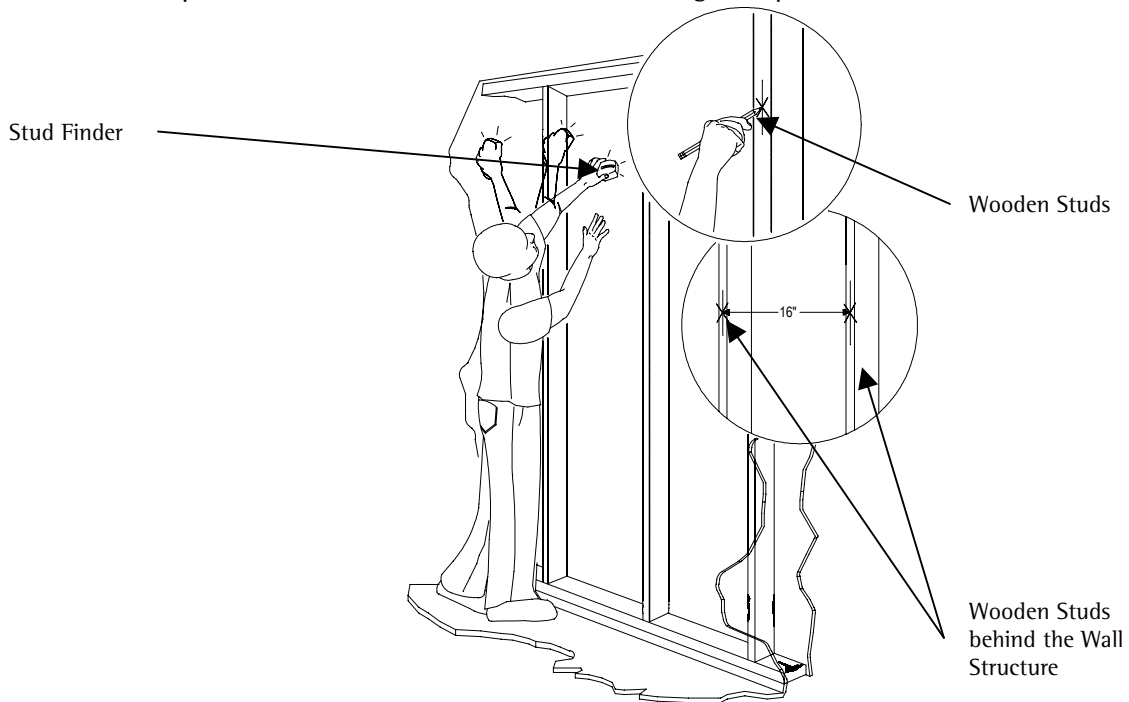


Figure 9. Locating the Wooden Stud

3. Measure from the floor to the desired viewing height and mark the wall (Figure 10).

**NOTE:** This marking will reference the center of your flat panel display once mounted to the wall.

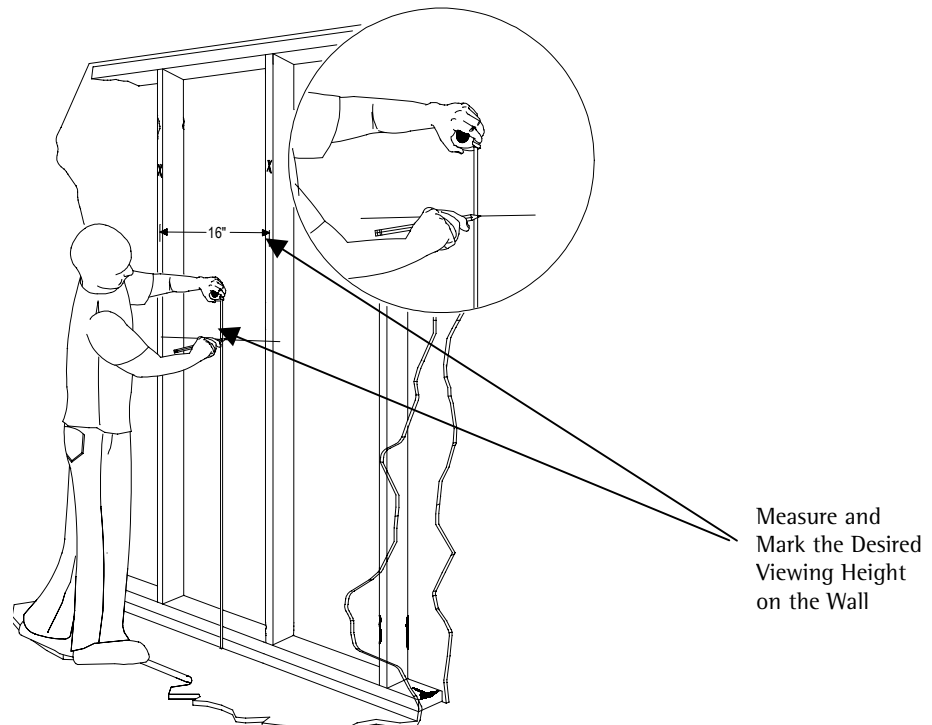


Figure 130. Measuring the Height

## Marking the Mounting Points

1. Place the bottom portion of the wall plate to the reference line and mark the four (4) lag bolt mounting points through the wall plate slots on the wall.
2. Level the wall plate with the reference arrow pointing up to the ceiling (Figure 11).

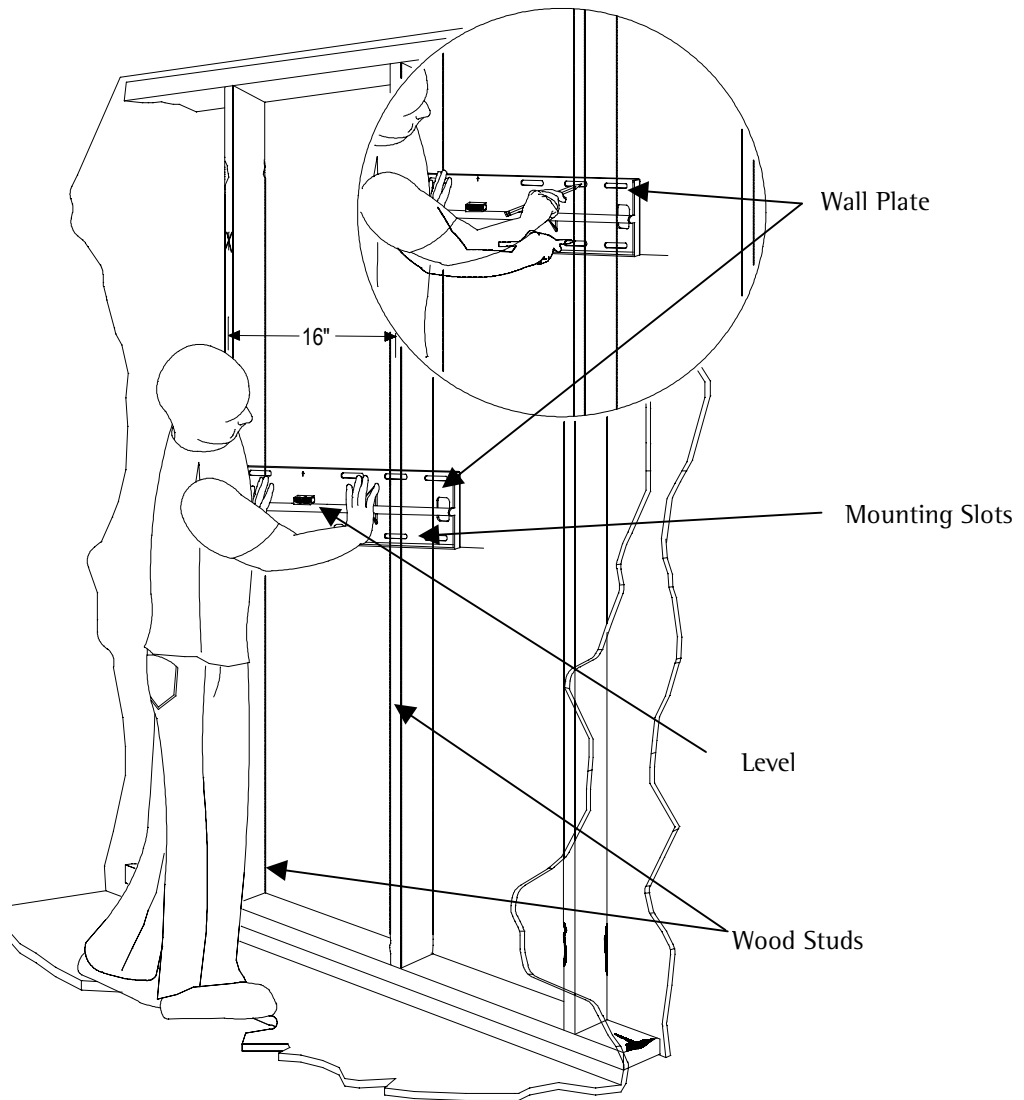


Figure 11. Marking the Mounting Points

3. Use the information below when mounting to the following surfaces (Figure 12):  
**Wood Studs:** Drill four (4)  $\frac{1}{4}$ " pilot holes to the marked wall.  
**Concrete Wall:** Drill four (4)  $\frac{3}{8}$ " pilot holes to the marked wall

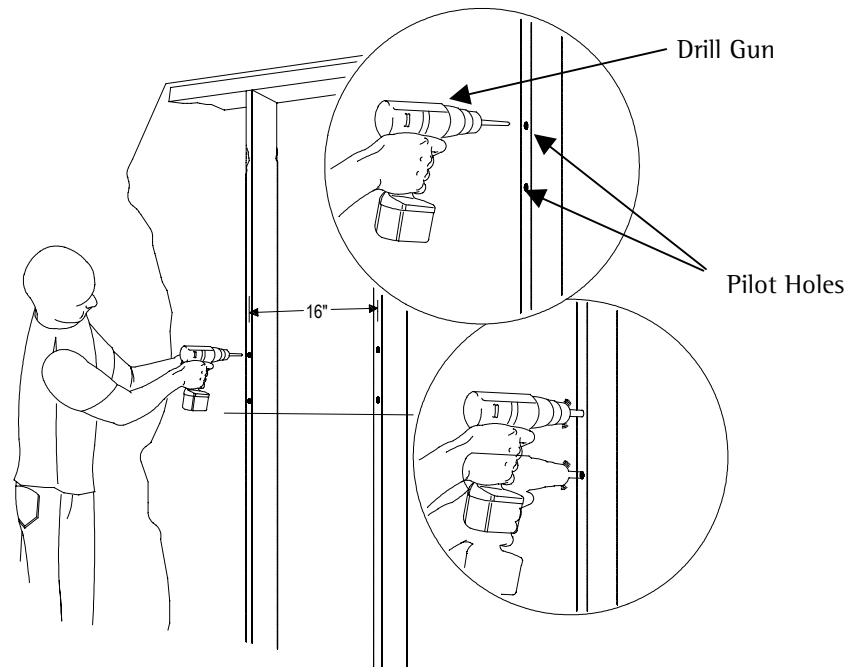


Figure 12. Mounting Surfaces

### Securing the Wall Plate to the Wooden Studs

1. Level and secure the plate to the wall with the reference arrow facing up to ceiling.
2. Secure the plate using four (4)  $\frac{5}{16}$ " lag bolts and flat washers (Figure 13).

**CAUTION:** Do not overtighten the lag bolts.

**NOTE:** Use a minimum diameter of  $\frac{5}{16}$ " x 3" long wooden screws.

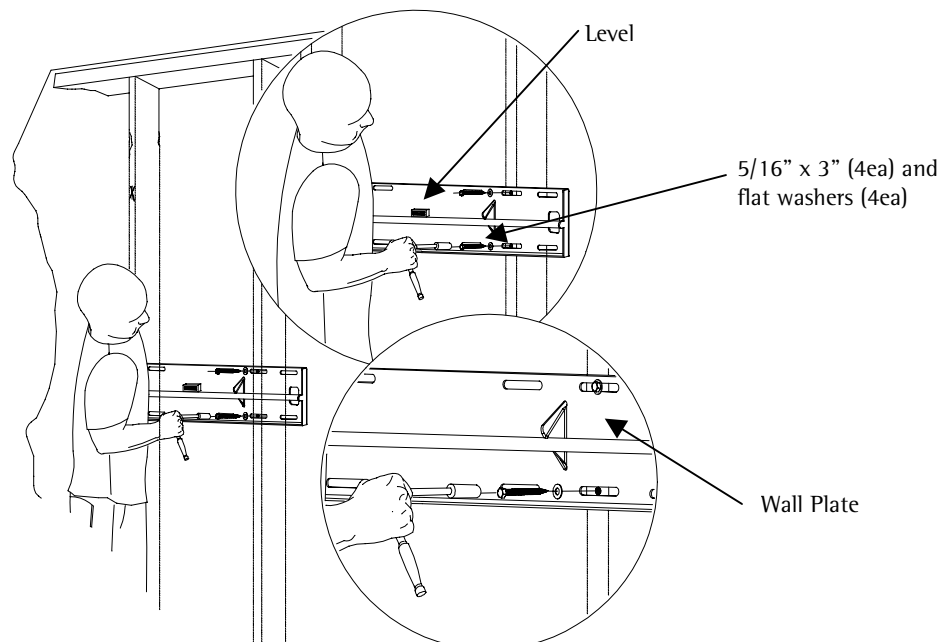


Figure 13. Securing the Wall Plate

## Securing the Wall Plate to a Concrete Wall

1. Level and secure the plate to the wall with the reference arrow facing up to the ceiling.
2. Use a minimum diameter of 5/16" x 2 1/4" wedge anchors (Figure 14).

**CAUTION:** Do not overtighten the wedge anchor bolts.

**NOTE:** Use a minimum diameter of 5/16" x 2 1/4" long wedge anchors.

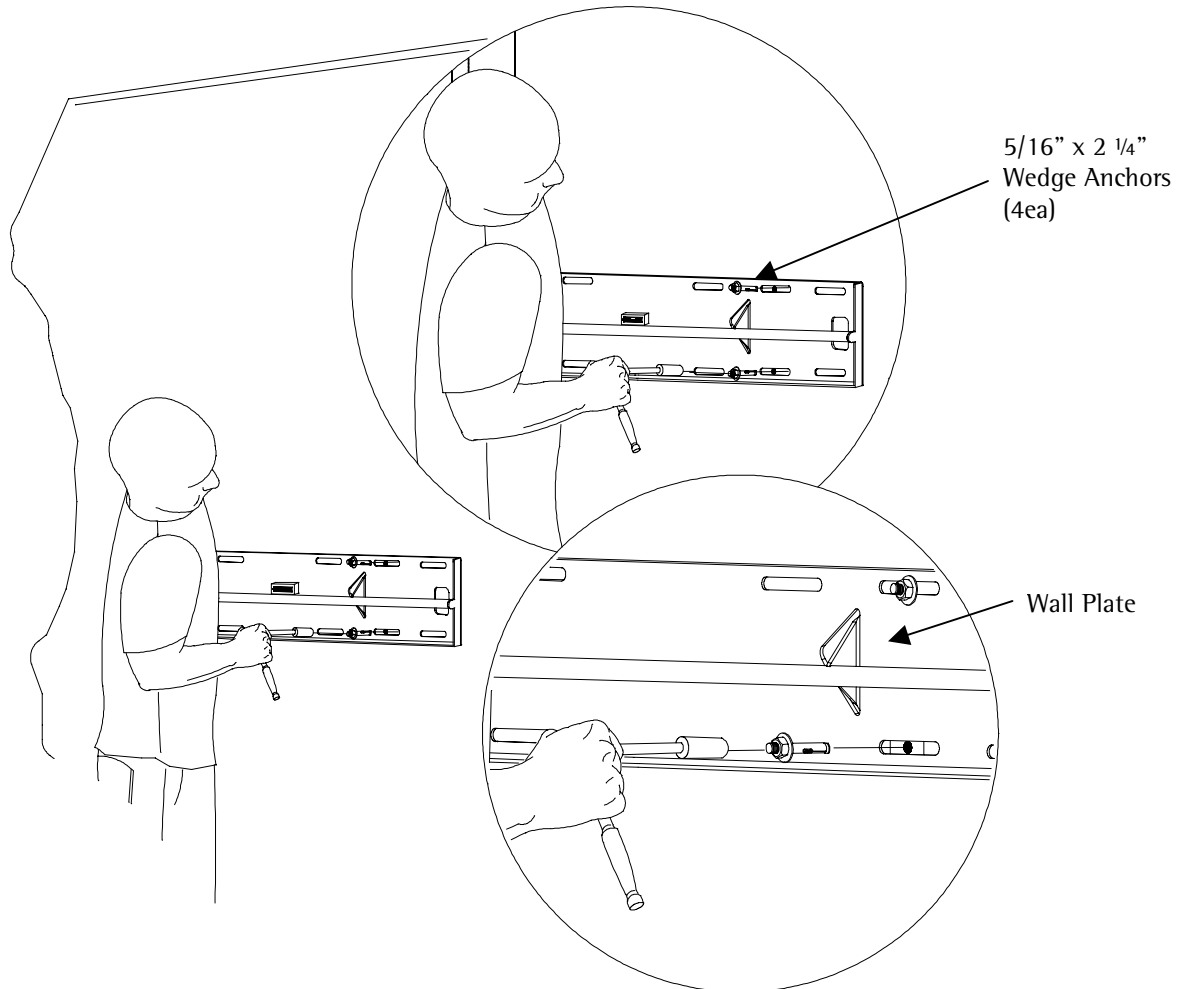


Figure 14. Concrete Installation

## Securing the Flat Panel to the Wall Mount

**WARNING:** At least (2) qualified personnel are strongly recommended for installation of this product. Failure to do so could result in serious injury and possible damage to the flat panel.

1. Raise the flat panel with the LEFT and RIGHT mounting brackets secured to the flat panel and insert the top hooks from each bracket to the rod on the wall plate (Figure 15).

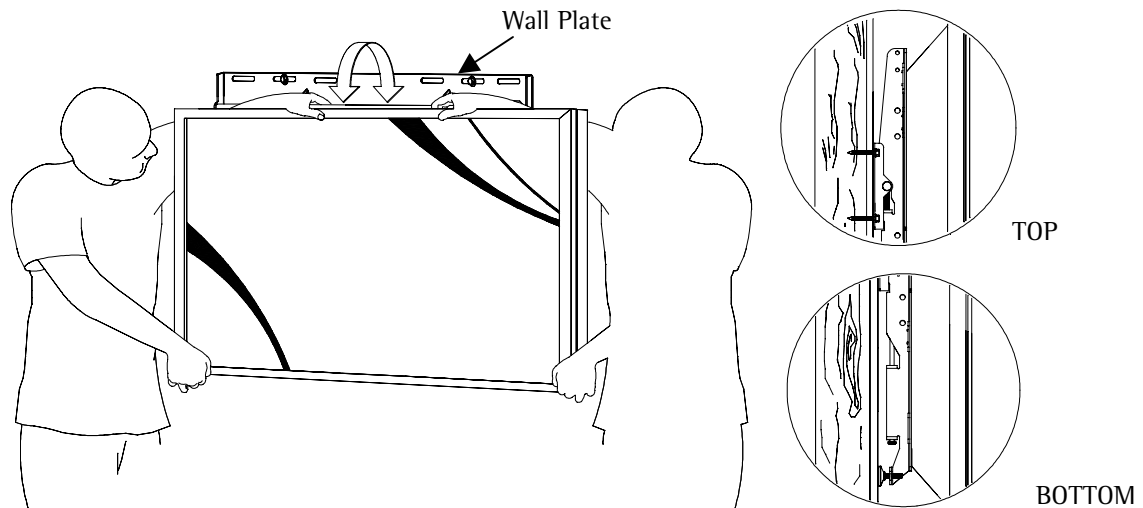


Figure 15. Securing the Flat Panel

## Lateral Shift Adjustment

1. Make any lateral shift adjustment and lock it by tightening the two (2) 1/4"-20 Phillips screws found on the bottom of the mounting brackets (Figure 16).
2. Use the foot leveler to adjust your plasma.

**CAUTION:** Do not over tighten the 1/4"-20 screws to the rods.

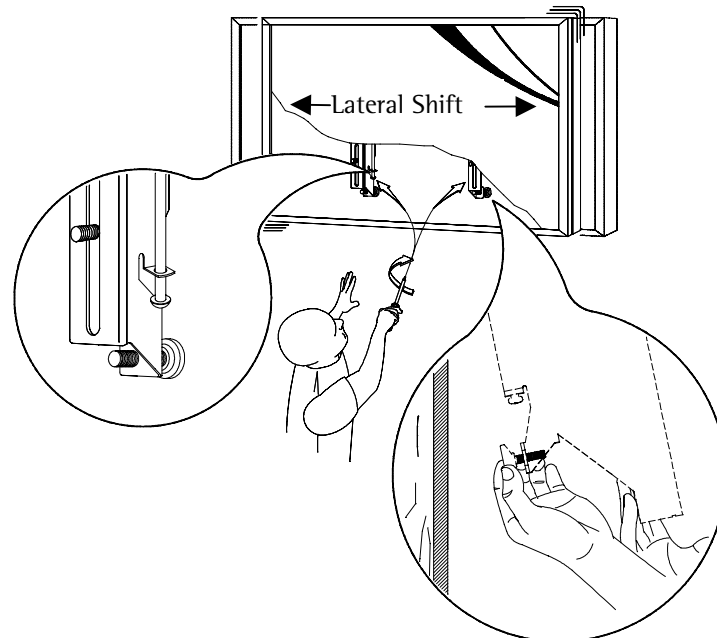
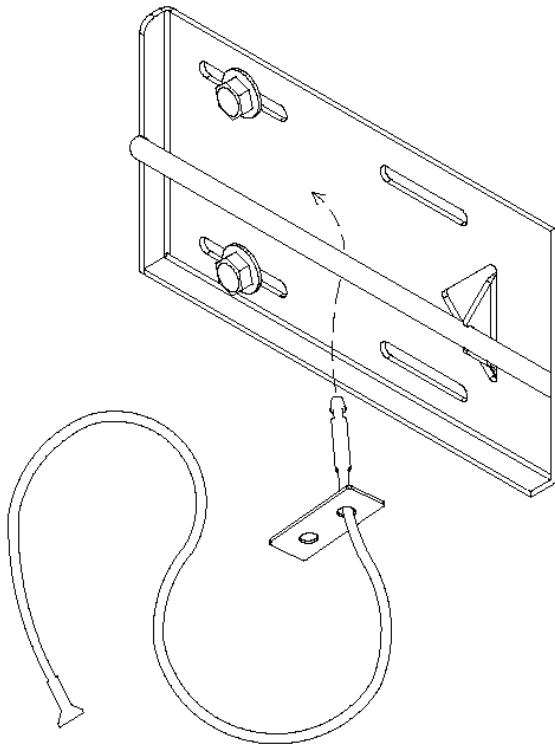


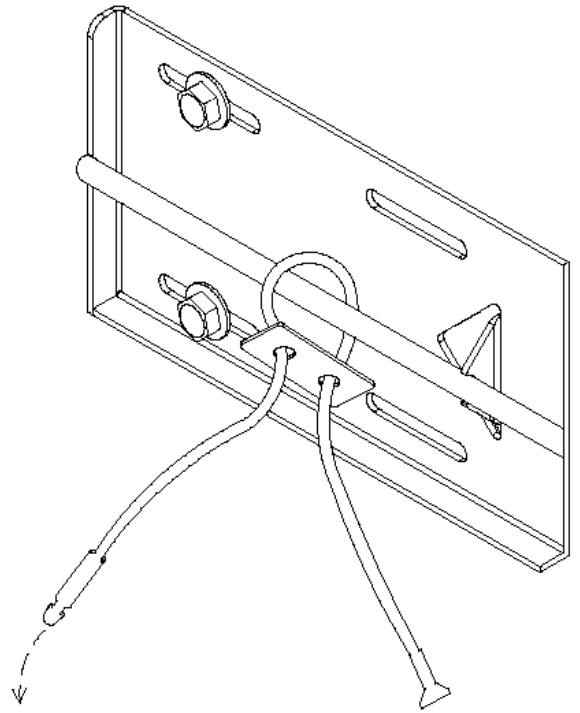
Figure 16. Lateral Shift Adjustment

# Security Cable

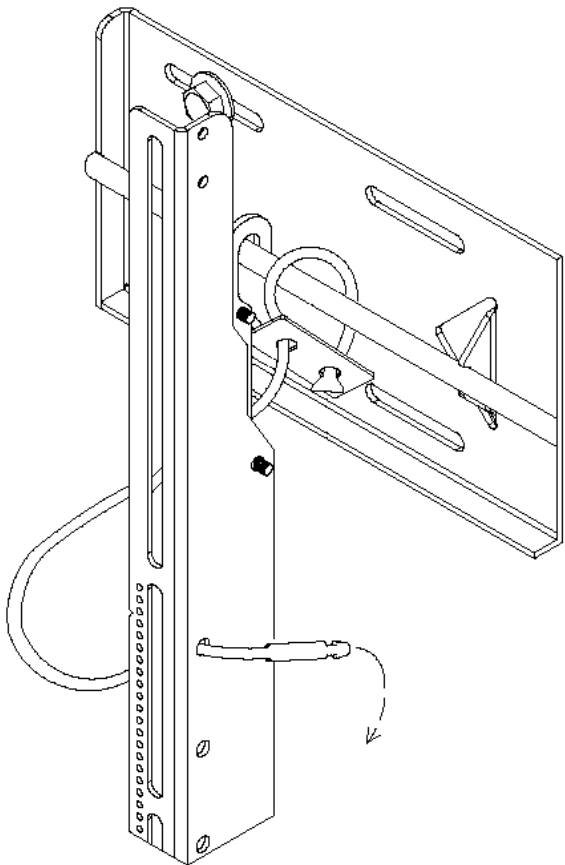
1



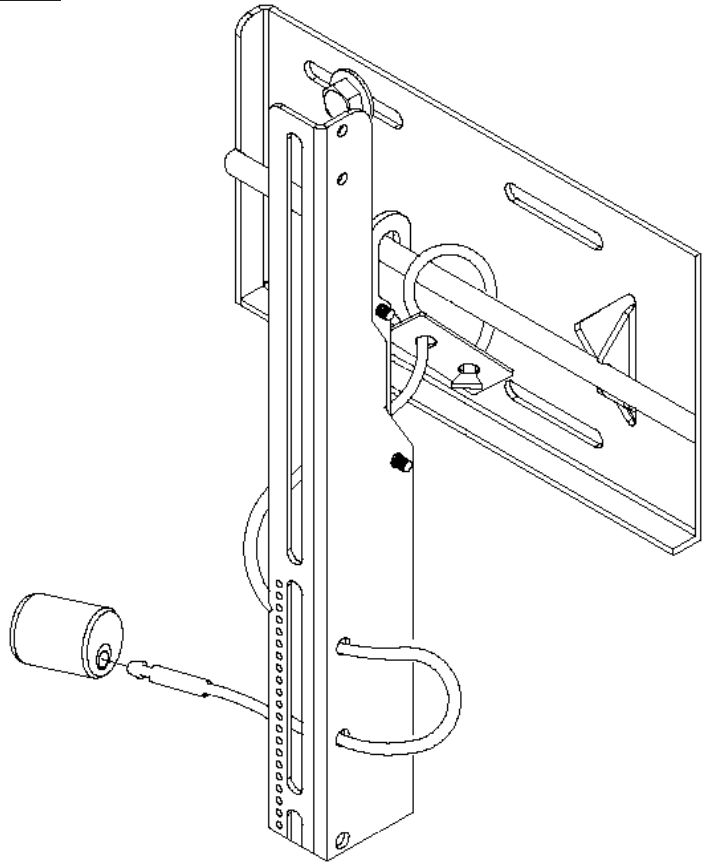
2



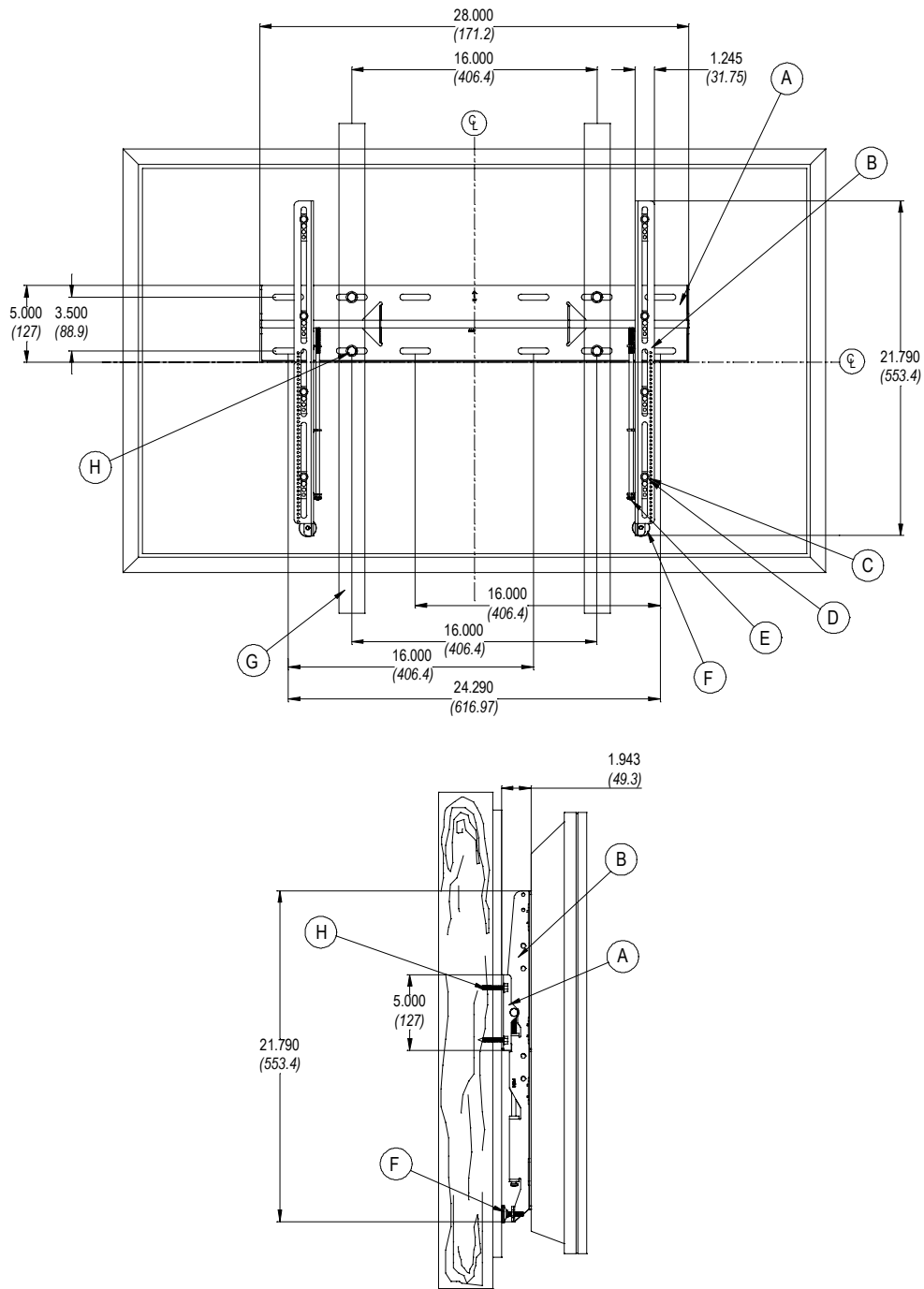
3



4



# Technical Specifications



- A. Wall plate
- B. Mounting brackets
- C. Griplate™
- D. Mounting hardware
- E. Safety screws
- F. Leveling feet
- G. Wood stud
- H. 5/16" x 3" Lag screws and flat washers

Figure 17. Technical Specifications



## Warranty

### Limited Lifetime Warranty

This product carries a limited lifetime warranty from ship date against defects in materials and workmanship. Sony Electronics is not liable for improper installation that results in damage to mounts, adapters, display equipment or personal injury.

## Customer Support

In the event of missing and/or damage equipment, or technical questions, the following information can help in the completion of the installation.

Customer Service 877-350-3477

**Notes**

---

Sony Electronics, Inc.  
16540 West Bernardo Drive  
San Diego, CA 92127  
(800) 222-7669  
[www.sony.com](http://www.sony.com)

©Sony 2005

## Free Manuals Download Website

<http://myh66.com>

<http://usermanuals.us>

<http://www.somanuals.com>

<http://www.4manuals.cc>

<http://www.manual-lib.com>

<http://www.404manual.com>

<http://www.luxmanual.com>

<http://aubethermostatmanual.com>

Golf course search by state

<http://golfingnear.com>

Email search by domain

<http://emailbydomain.com>

Auto manuals search

<http://auto.somanuals.com>

TV manuals search

<http://tv.somanuals.com>