

## UNI-MDB3 Pendant/Wall Mount Bracket

**Installation and Operation Instructions for the following model:**

UNI-MDB3 (Pendant/Wall Mount bracket for SNC-DM160 and SNC-DS60)

(1) Bracket

(1) Installation Instruction Manual

**Please refer to the camera manuals for instructions on opening the dome assembly and follow safety instructions.**

**Note: Mounting screws for mounting the gooseneck to the wall is an installer/user provided item**

### Supplied Parts

- (1) Gooseneck wall mount bracket
- (1) Camera gasket
- (1) Conduit locknut
- (1) Teflon tape wrap
- (1) 1" pipe grommet
- (1) Pendant mount bracket
- (4) Camera mounting screws & star washers

## IMPORTANT SAFEGUARDS

- 1 Read Instructions - All the safety and operating instructions should be read before the unit is operated.
- 2 Retain Instructions - The safety and operating instructions should be retained for future reference.
- 3 Heed Warnings - All warnings on the unit and in the operating instructions should be adhered to.
- 4 Follow Instructions - All operating and user instructions should be followed.
- 5 Electrical Connections - Only a qualified electrician should make electrical connections..
- 6 Attachments - Do not use attachments not recommended by the product manufacturer as they may cause hazards.
- 7 Cable Runs - All cable runs must be within permissible distance
- 8 Mounting - This unit must be properly and securely mounted to a supporting structure capable of sustaining the weight of the unit.

Accordingly:

- a. The installation should be made by a qualified installer.
- b. The installation should be in compliance with local codes.
- c. Care should be exercised to select suitable hardware to install the unit, taking into account both the composition of the mounting surface and the weight of the unit.

Be sure to periodically examine the unit and the supporting structure to make sure that the integrity of the installation is intact. Failure to comply with the foregoing could result in the unit separating from the support structure and falling, with resultant damages or injury to anyone or anything struck by the falling unit.

## UNPACKING

Unpack carefully. Electronic components can be damaged if improperly handled or dropped. If an item appears to have been damaged in shipment, replace it properly in its carton and notify the shipper.

Be sure to save:

- 1 The shipping carton and packaging material. They are the safest material in which to make future shipments of the equipment.
- 2 These Installation and Operating Instructions.

## SERVICE

If technical support or service is needed, contact Sony at the following number.

TECHNICAL SUPPORT  
8:15 AM to 7:30 PM  
(EASTERN TIME)  
1-800-883-6817

## SAFETY PRECAUTIONS



The lightning flash with an arrowhead symbol, within an equilateral triangle, is intended to alert the user to the presence of non-insulated "dangerous voltage" within the product's enclosure that may be of sufficient magnitude to constitute a risk of electric shock to persons.

Este símbolo se piensa para alertar al usuario a la presencia del "voltaje peligroso no-aislado" dentro del recinto de los productos que puede ser un riesgo del choque eléctrico.

Ce symbole est prévu pour avertir l'utilisateur à la présence "de la tension dangereuse" non-isolée dans la clôture de produits qui peut être un risque de choc électrique.

Dieses Symbol soll den Benutzer zum Vorhandensein der nicht-isolierter "Gefährdungsspannung" innerhalb der Produkteinschließung alarmieren, die eine Gefahr des elektrischen Schlages sein kann.

Este símbolo é pretendido alertar o usuário à presença "da tensão perigosa non-isolada" dentro do cerco dos produtos que pode ser um risco de choque elétrico

Questo simbolo è inteso per avvertire l'utente alla presenza "di tensione pericolosa" non-isolata all'interno della recinzione dei prodotti che può essere un rischio di scossa elettrica.



The exclamation point within an equilateral triangle is intended to alert the user to presence of important operating and maintenance (servicing) instructions in the literature accompanying the appliance.

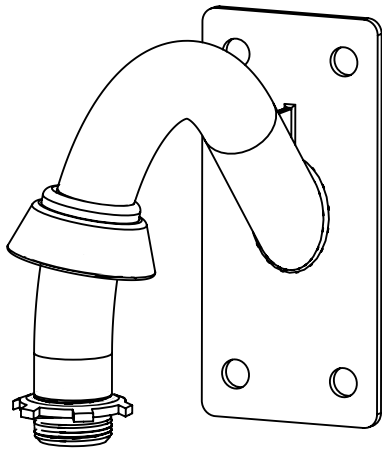
Este símbolo del punto del exclamation se piensa para alertar al usuario a la presencia de instrucciones importantes en la literatura que acompaña la aplicación.

Ce symbole de point d'exclamation est prévu pour avertir l'utilisateur à la présence des instructions importantes dans la littérature accompagnant l'appareil.

Dieses Ausruf Punktsymbol soll den Benutzer zum Vorhandensein der wichtigen Anweisungen in der Literatur alarmieren, die das Gerät begleitet

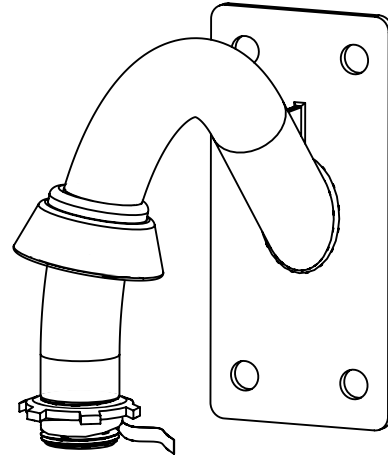
Este símbolo do ponto do exclamation é pretendido alertar o usuário à presença de instruções importantes na literatura que acompanha o dispositivo.

Questo simbolo del punto del exclamation è inteso per avvertire l'utente alla presenza delle istruzioni importanti nella letteratura che accompagna l'apparecchio.

**1**

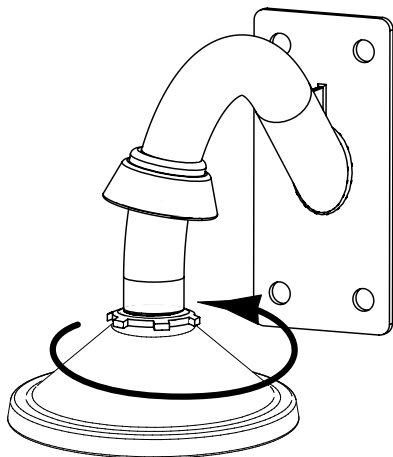
**Slide the grommet up the pipe and screw the conduit locknut to the top of the threads.**

- Resbale el ojal encima de la pipa y atornille la tuerca de fijación del conducto a la tapa de los hilos de rosca.
- Glissez le canon isolant vers le haut de la pipe et vissez le contre-écrou de conduit au dessus des fils.
- Schieben Sie die Gummimuffe herauf das Rohr und schrauben Sie die Rohrkontermutter zur Oberseite der Gewinde.
- Deslize o ilhó acima da tubulação e parafuse a contraporca da canalização ao alto das linhas.
- Faccia scorrere il gommino di protezione sul tubo ed avviti il controdado del condotto alla parte superiore dei filetti.

**2**

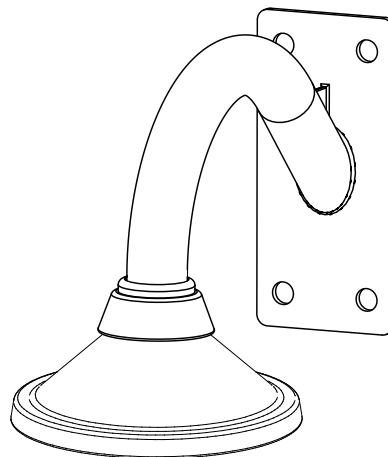
**Wrap Teflon tape around pipe threads to ensure a water tight connection.**

- La cinta del Teflon del abrigo alrededor de la pipa rosca para asegurar a un agua la conexión apretada.
- La bande de teflon d'enveloppe autour de la pipe fileté pour assurer à une eau le raccordement serré.
- Verpackung Teflonklebeband um Rohr verlegt, um einem Wasser festen Anschluß sicherzustellen.
- A fita adesiva do Teflon do envoltório em torno da tubulação enfia para assegurar a uma água a conexão apertada.
- Il nastro del Teflon dell'involucro intorno al tubo filetta per accertare ad un'acqua il collegamento stretto.

**3**

**Screw the pendant adapter snugly onto pipe. Tighten locking nut.**

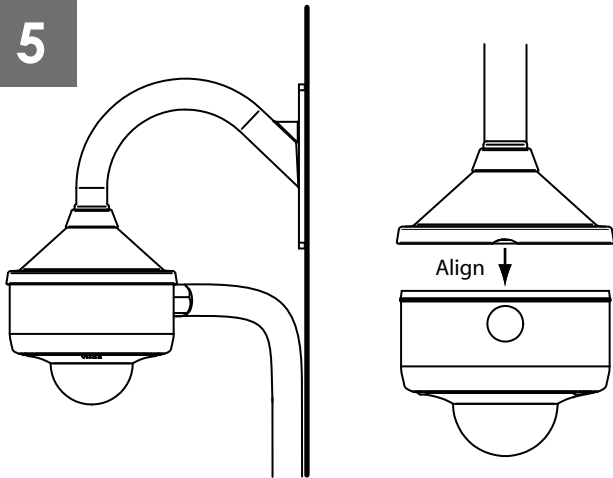
- Atornille el adaptador pendiente comodamente sobre la pipa. Apriete la tuerca de fijación.
- Vissez l'adaptateur pendant confortablement sur la pipe. Serrez l'écrou de fermeture.
- Schrauben Sie den hängenden Adapter gemütlich auf Rohr. Ziehen Sie Sicherungsmutter fest.
- Parafuse o adaptador pendant confortavelmente na tubulação. Aperte a porca travando.
- Avviti comodamente l'adattatore pendant sul tubo. Stringa il dado di bloccaggio.

**4**

**Pull the rubber grommet down over the locking nut as shown.**

- Tire hacia abajo el excedente de goma del ojal la tuerca de fijación según lo demostrado.
- Abaissez l'excédent en caoutchouc de canon isolant l'écrou de fermeture comme montré.
- Ziehen Sie den Gummigummimuffe Überschuß die Sicherungsmutter herunter, wie gezeigt.
- Puxe o excesso de borracha do ilhó para baixo a porca travando como mostrada.
- Tiri in giù l'eccedenza di gomma del gommino di protezione il dado di bloccaggio come indicato.

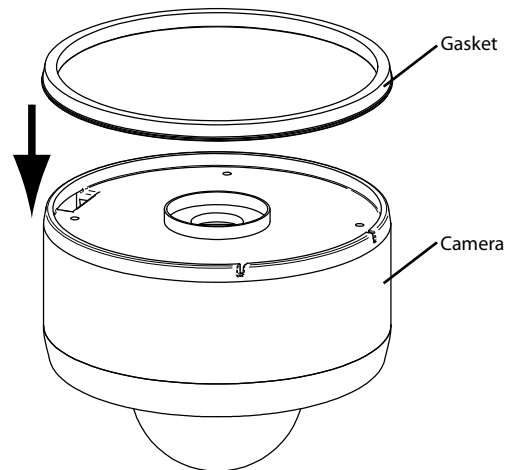
5



If applicable, the wiring may be run through a conduit. Take steps necessary to avoid water ingress when using a conduit.

- Si es aplicable, el cableado se puede funcionar a través de un conducto. Tome las medidas necesarias para evitar el ingreso del agua al usar un conducto.
- Si c'est approprié, le câblage peut être couru par un conduit. Prenez les mesures nécessaires pour éviter l'entrée de l'eau à l'aide d'un conduit.
- Wenn anwendbar, kann die Verdrahtung durch ein Rohr laufen gelassen werden. Unternehmen Sie die Schritte, die notwendig sind, Wassereintritt zu vermeiden, wenn Sie ein Rohr verwenden.
- Se aplicável, a fiação pode ser funcionada através de uma canalização. Faça exame das etapas necessárias evitar o ingresso da água ao usar uma canalização.
- Se applicabile, i collegamenti possono essere fatti funzionare tramite un condotto. Prenda le misure necessarie per evitare l'ingresso dell'acqua quando per mezzo di un condotto.

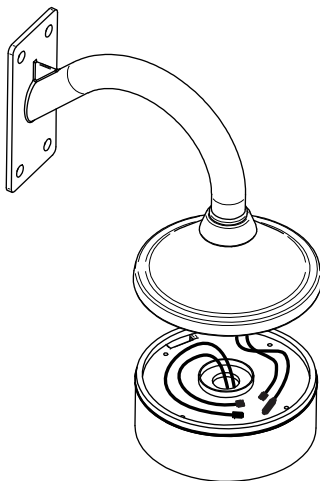
6



Fit the provided gasket into the circular groove on the camera base as shown.

- Quepa la junta proporcionada en el surco circular en la base de la cámara fotográfica según lo demostrado.
- Adaptez la garniture fournie dans la cannelure circulaire sur la base d'appareil-photo comme montrée.
- Passen Sie die zur Verfügung gestellte Dichtung in die kreisförmige Nut auf der Kameraunterseite, wie gezeigt.
- Caiba a gaxeta fornecida no sulco circular na base da câmera como mostrada.
- Inserisca la guarnizione fornita nella scanalatura circolare sulla base della macchina fotografica come indicata.

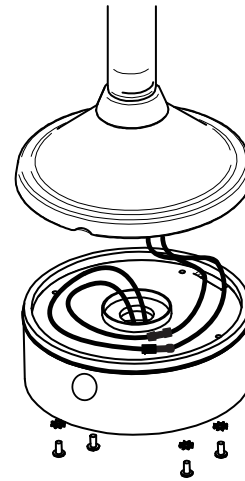
7



Make electrical connections then coil excess wiring under the pendant cover.

- Haga las conexiones eléctricas después arrolle exceso del cableado bajo cubierta pendiente.
- Établissez les rapports électriques puis lovez le câblage excessif sous la couverture pendante.
- Stellen Sie her, elektrische Beziehungen dann umwickeln Sie überschüssige Verdrahtung unter die hängende Abdeckung.
- Faça conexões elétricas a seguir bobine a fiação adicional sob a tampa pendante.
- Faccia i collegamenti elettrici quindi arrotoli i collegamenti eccedenti sotto la copertura pendant.

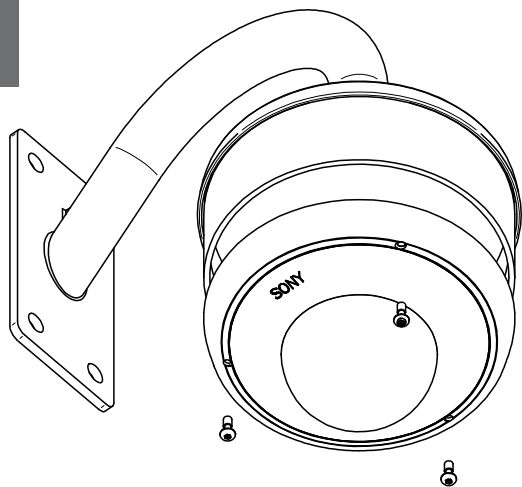
8



Attach the mid-section of the housing to the top with the (4) screws and star washers.

- Una el mid-section de la cubierta a la tapa con (4) los tornillos y las arandelas de la estrella.
- Attachez la section médiane du logement au dessus avec (4) les vis et tenez le premier rôle les rondelles.
- Bringen Sie das Mittelteil des Gehäuses zur Oberseite mit den (4) Schrauben und Sternunterlegscheiben an.
- Una o mid-section da carcaça ao alto com (4) os parafusos e as arruelas da estrela.
- Fissi il mid-section dell'alloggiamento alla parte superiore con (4) le viti e le rondelle della stella.

7

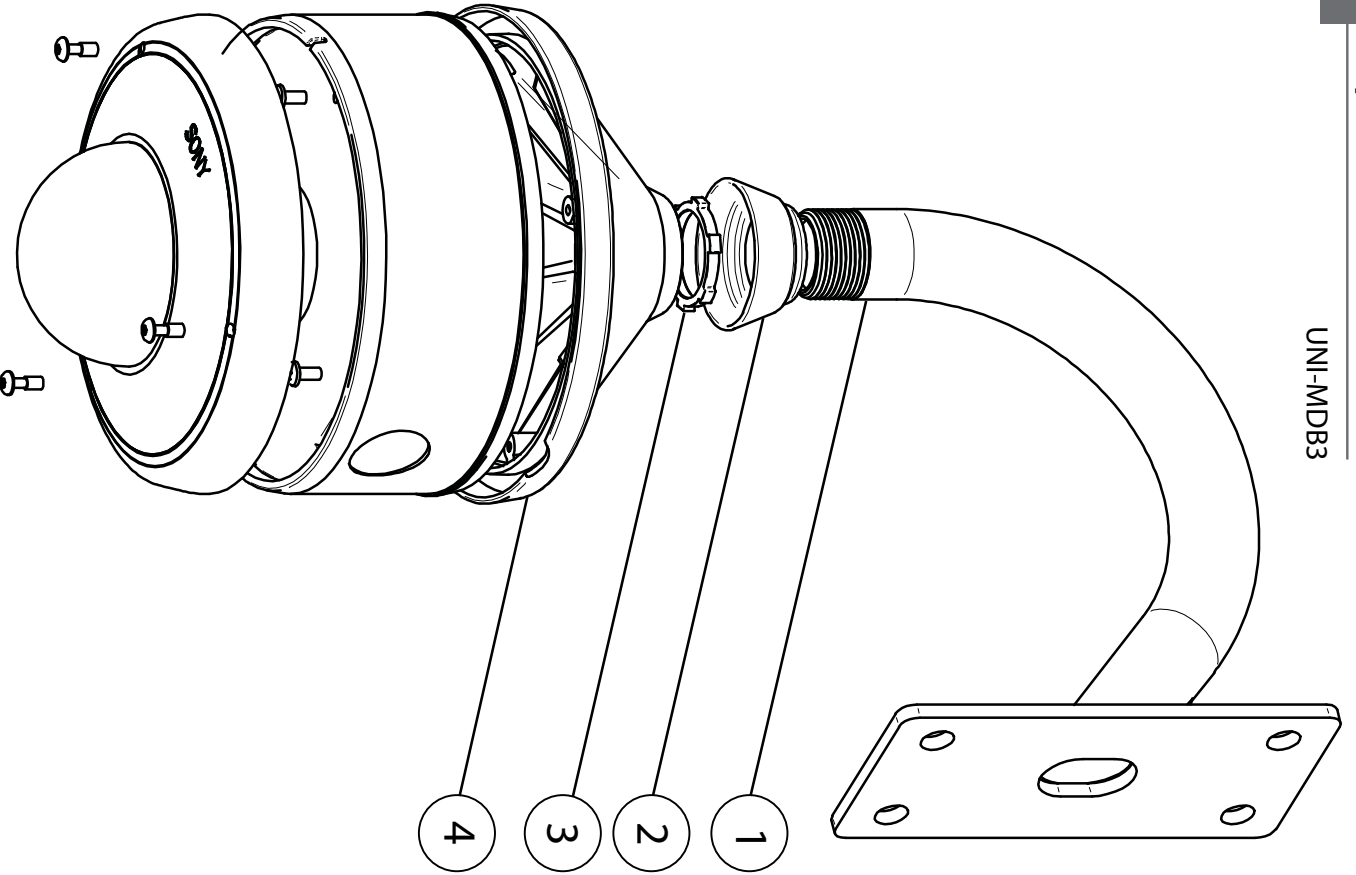


**Attach the dome assembly to the housing with security screws. Complete all wiring connections.**

- Una el montaje de la bóveda a la cubierta con los tornillos de la seguridad. Termine todas las conexiones del cableado.
- Attachez le dôme au logement avec des vis de sécurité. Accomplissez tous les raccordements de câblage.
- Bringen Sie die Haube zum Gehäuse mit Sicherheit Schrauben an. Führen Sie alle Verdrahtung Anschlüsse durch.
- Una o conjunto da abóbada à carcaça com parafusos da segurança. Termine todas as conexões da fiação.
- Fissi il complessivo della cupola all'alloggiamento con le viti di sicurezza. Completati tutti i collegamenti dei collegamenti.

# Replacement Parts List

UNI-MDB3



PARTS LIST		
#	REPLACEMENT #	DESCRIPTION
1	RP50VVL2655	GOOSENECK WALL MOUNT
2	RP94VI2161	SEALING GROMMET
3	RP91NPTN08	LOCKING NUT
4	RP30VL3275	PENDANT COVER



## LIMITED WARRANTY FOR SONY SECURITY SYSTEMS PRODUCTS

**4. PROOF OF PURCHASE:** The Purchaser's dated bill of sale must be retained as evidence of the date of purchase and to establish warranty eligibility.

### DISCLAIMER OF WARRANTY

EXCEPT FOR THE FOREGOING WARRANTIES, SONY HEREBY DISCLAIMS AND EXCLUDES ALL OTHER WARRANTIES, EXPRESS OR IMPLIED, INCLUDING BUT NOT LIMITED TO ANY AND/OR ALL IMPLIED WARRANTIES OF MERCHANTABILITY, FITNESS FOR A PARTICULAR PURPOSE AND/OR ANY WARRANTY WITH REGARD TO ANY CLAIM OF INFRINGEMENT THAT MAY BE PROVIDED IN SECTION 2-312(3) OF THE UNIFORM COMMERCIAL CODE AND/OR IN ANY OTHER COMPARABLE STATE STATUTE. SONY HEREBY DISCLAIMS ANY REPRESENTATIONS OR WARRANTY THAT THE PRODUCT IS COMPATIBLE WITH ANY COMBINATION OF NON-SONY PRODUCTS PURCHASER MAY CHOOSE TO CONNECT TO THE PRODUCT.

### LIMITATION OF LIABILITY

THE LIABILITY OF SONY, IF ANY, AND PURCHASER'S SOLE AND EXCLUSIVE REMEDY FOR DAMAGES FOR ANY CLAIM OF ANY KIND WHATSOEVER, REGARDLESS OF THE LEGAL THEORY AND WHETHER ARISING IN TORT OR CONTRACT, SHALL NOT BE GREATER THAN THE ACTUAL PURCHASE PRICE OF THE PRODUCT WITH RESPECT TO WHICH SUCH CLAIM IS MADE. IN NO EVENT SHALL SONY BE LIABLE TO PURCHASER FOR ANY SPECIAL, INDIRECT, INCIDENTAL, OR CONSEQUENTIAL DAMAGES OF ANY KIND INCLUDING, BUT NOT LIMITED TO, COMPENSATION, REIMBURSEMENT OR DAMAGES ON ACCOUNT OF THE LOSS OF PRESENT OR PROSPECTIVE PROFITS OR FOR ANY OTHER REASON WHATSOEVER.

For further information and the name of the nearest authorized Sony service facility contact:

SONY Security Products Service  
16795 VIA Del Campo  
Bldg 3, Dock 32  
ATTN: Security Products  
San Diego, California 92127  
Voice: 800-472-7669

## Free Manuals Download Website

<http://myh66.com>

<http://usermanuals.us>

<http://www.somanuals.com>

<http://www.4manuals.cc>

<http://www.manual-lib.com>

<http://www.404manual.com>

<http://www.luxmanual.com>

<http://aubethermostatmanual.com>

Golf course search by state

<http://golfingnear.com>

Email search by domain

<http://emailbydomain.com>

Auto manuals search

<http://auto.somanuals.com>

TV manuals search

<http://tv.somanuals.com>