

Troubleshooting Guide

Before going through the check list below, first refer back to the connection and operating procedures. Should any problem persist after you have made these checks, consult your nearest Sony dealer.

Problem	Check and correct
Tonearm skips, skates or does not advance.	<ul style="list-style-type: none"> • Turntable is not level. • Relocate player to a level surface. • Clean record with commercially available record cleaning kit. • Replace defective record.
Poor tone quality.	<ul style="list-style-type: none"> • Remove dust on stylus by blowing, or with stylus cleaning brush. • Replace worn stylus.
Rumble or low-frequency howl*	<ul style="list-style-type: none"> • Relocate turntable to a steady level surface. • Relocate turntable or speaker.

* This is called "acoustic feedback" and is caused when vibrations from the speakers are transmitted through the air or via solid objects (such as the shelves, the cabinet, the floor, etc.) to the turntable, where they are picked up by the stylus, amplified and reproduced through the speakers once again.

Specifications

Platter 30 cm (12 inches)
 Motor DC servo motor
 Drive system Belt Drive
 Speed 33 1/3 rpm, 45 rpm
 Automatic system Return, reject
 Tonearm type Statically balanced
 Cartridge type Moving magnet type
 Stylus Sony ND-156G (0.6 mil diamond)

General
 Power requirements 120 V AC, 60 Hz
 Power consumption 4 W
 Dimensions Approx. 430 x 95 x 250 mm (w/h/d)
 (17 x 3 3/4 x 13 1/8 inches)
 Weight Approx. 2.5 kg (5 lb 9 oz)
 Supplied accessories 45-rpm adaptor (1)

Design and specifications subject to change without notice.

SONY.

3-750-147 21 (1)
900413/075

Stereo Turntable System

PS-LX110

Operating Instructions

Before operating the unit, please read this manual thoroughly and retain it for future reference.

Owner's Record

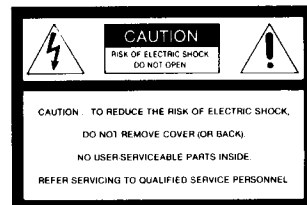
The model and serial numbers are located at the rear. Record the serial number in the space provided below. Refer to these numbers whenever you call upon your Sony dealer regarding this product.

Model No. PS-LX110

Serial No. _____

WARNING

To prevent fire or shock hazard, do not expose the unit to rain or moisture.



This symbol is intended to alert the user to the presence of uninsulated "dangerous voltage" within the product's enclosure that may be of sufficient magnitude to constitute a risk of electric shock to persons.



This symbol is intended to alert the user to the presence of important operating and maintenance (servicing) instructions in the literature accompanying the appliance.

* The graphical symbols are on the bottom enclosure.

Precautions

On safety

- Operate the unit only on 120 V AC, 60 Hz.
- Should any solid object or liquid fall into the cabinet, unplug the unit and have it checked by qualified personnel before operating it any further.
- Unplug the unit from the wall outlet if it is not to be used for an extended period of time. To disconnect the cord, pull it out by grasping the plug. Never pull the cord itself.

On installation

- Place the unit on a level surface.
- Do not install the unit near heat sources such as radiators or air ducts, or in a place subject to direct sunlight, excessive dust, mechanical vibration or shock.
- Good ventilation is essential to prevent internal heat build up in the unit. Place the unit in a location with adequate air circulation. Do not place the unit on a soft surface.

On cleaning

- Before playing a record, clean the stylus with a soft brush. Brush the stylus from back to front. Never attempt to clean the stylus with your finger tip. If a fluid stylus cleaner is used, make sure not to moisten the stylus too much.
- Clean the cabinet periodically with a soft dry cloth. If the stains are difficult to remove, use a cloth moistened with a mild detergent solution. Do not use solvents such as alcohol, benzine or thinner, since they will damage the finish.

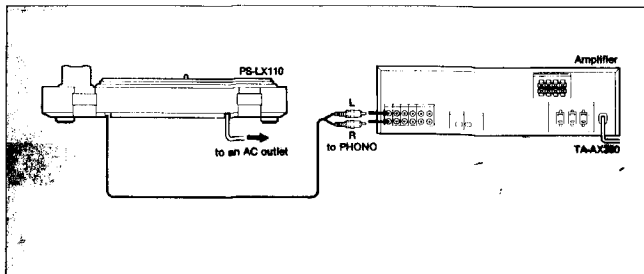
On repacking

- Do not throw away the carton and packing materials. It makes an ideal container in which to transport the unit. When shipping the unit to another location, repack it.

If you have any question or problem concerning your unit that is not covered in this manual, please consult your nearest Sony dealer.

For detailed precautions, see the leaflet "IMPORTANT SAFEGUARDS".

Connections

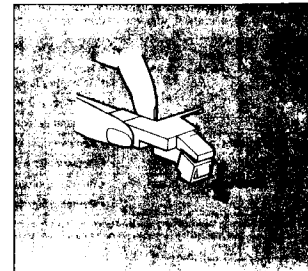


Connect the red plug to the right-channel jack (R), and the white plug to the left-channel jack (L).

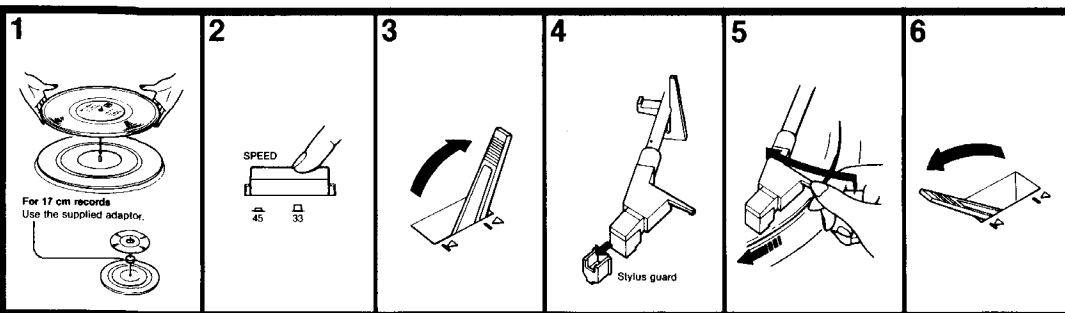
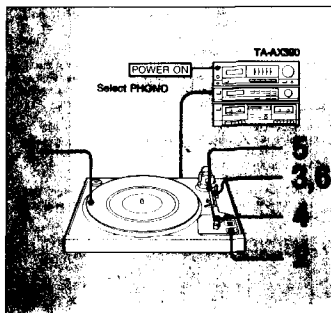
Replacing the Stylus

Replace the stylus after approximately 400 hours of use. An ND.155G replacement stylus is available at your Sony dealer. Handle this delicate stylus with care.

- 1 Turn off power of the amplifier.
- 2 Secure the tonearm to the arm rest.
- 3 Detach the stylus by grasping it with your fingers.
- 4 Insert the new stylus.



Playing Records



When the record has finished playing
When the tonearm reaches the end of the record, it will automatically return to the arm rest.

To lift up the stylus during play
Set the cueing lever to \downarrow .

To stop during play
Press REJECT.

Notes

- If the tonearm does not return to the arm rest during initial operation, press the REJECT button. After this, the tonearm will automatically return to the arm rest.

- If you move the tonearm close to the center while the turntable is rotating, the tonearm may return to the arm rest. Do not interfere with this action, as this may damage the automatic return mechanism.

Free Manuals Download Website

<http://myh66.com>

<http://usermanuals.us>

<http://www.somanuals.com>

<http://www.4manuals.cc>

<http://www.manual-lib.com>

<http://www.404manual.com>

<http://www.luxmanual.com>

<http://aubethermostatmanual.com>

Golf course search by state

<http://golfingnear.com>

Email search by domain

<http://emailbydomain.com>

Auto manuals search

<http://auto.somanuals.com>

TV manuals search

<http://tv.somanuals.com>