

STEREO TURNTABLE SYSTEM

PS-LX2/LX2C



PHOTO: PS-LX2C in U.S.A.

OPERATING INSTRUCTIONS

Before operating the unit, please read this manual thoroughly.
This manual should be retained for future reference.

OWNER'S RECORD

The model and serial numbers are located at the rear. Record these numbers in the spaces provided below. Refer to them whenever you call upon your Sony dealer regarding this product.

Model No. PS-LX2 Serial No. _____

WARNING

To prevent fire or shock hazard, do not expose the unit to rain or moisture.

To avoid electrical shock, do not open the cabinet. Refer servicing to qualified personnel only.

TABLE OF CONTENTS

Features	2
Precautions	2
Parts identification	3
Turntable assembly	3
Cartridge installation	4
Tonearm assembly	4
Tonearm adjustment	4
Tonearm balance adjustment	
Tracking forth adjustment	
Anti-skating compensation	
Connections	6
Tips on record handling	6
Record playing	6
Preparation	
To start playing	
To lift up the stylus during play	
To stop during play	
Replacing the stylus	7
Maintenance	7
Specifications	Back cover
Trouble checks	Back cover

FEATURES

- Magnedisc Servo System monitors the speed of the turntable with great precision.
- The linear torque BSL (brushless and slotless) direct drive servo motor has a high signal-to-noise ratio.
- The low-mass tonearm and cartridge allow the stylus to track with greater accuracy.
- Servo Lock indicator illuminates lighter when the turntable starts to rotate at nominal speed.
- Disc centering guides facilitate placing a 30 cm record over the center spindle.

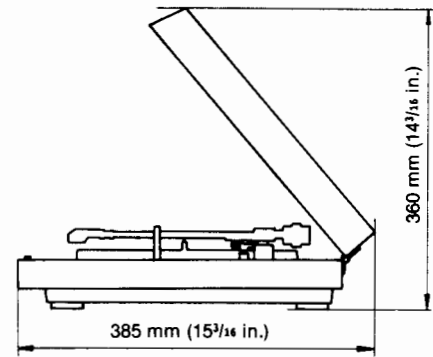
PRECAUTIONS

On safety

- Operate the unit only on 120 V ac, 60 Hz.
- Should any solid object or liquid fall into the cabinet, unplug the unit and have it checked by qualified personnel before operating it any further.
- Unplug the unit from the wall outlet if it is not to be used for an extended period of time. To disconnect the cord, pull it out by the plug. Never pull the cord itself.

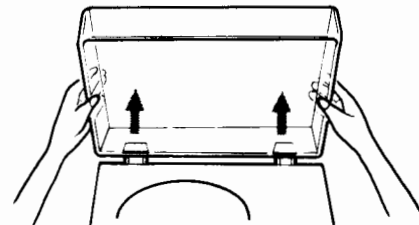
On installation

- Place the turntable on a level surface.
- Avoid placing the unit near electrical appliances (such as a television, hair dryer, or fluorescent lamp) which may cause hum or noise.
- Place the turntable where it will not be subject to any vibration, such as from speakers, slamming of doors, etc.
- Keep the unit away from direct sunlight, extremes of temperature, and excessive dust and moisture.
- Allow at least 10 cm (4 inches) clearance behind the unit so that the cover can be opened.



On dust cover removal

Open the dust cover fully and slide it upward with both hands.

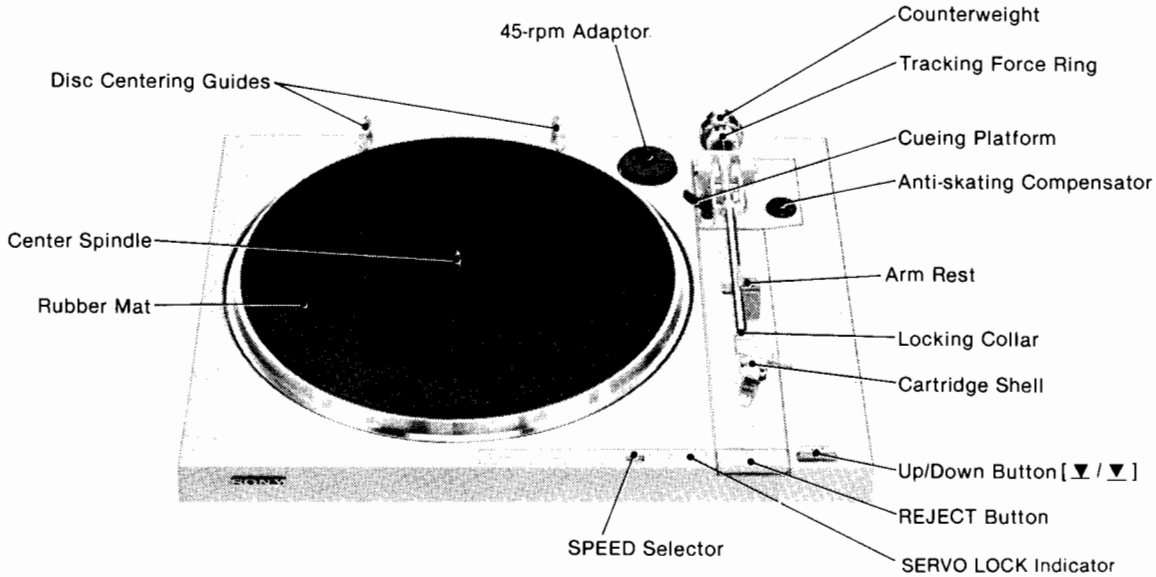


On repacking

Do not throw away the carton and packing materials. It is an ideal container in which to transport the unit. When shipping the unit to another location, secure the tonearm to the arm rest and repack it as illustrated on the carton box.

PARTS IDENTIFICATION

The picture below shows the appearance of the assembled turntable.



TURNTABLE ASSEMBLY

Do not connect the power cord or the connecting cords until the turntable has been completely assembled.

Remove all packing material and wipe the cabinet off.

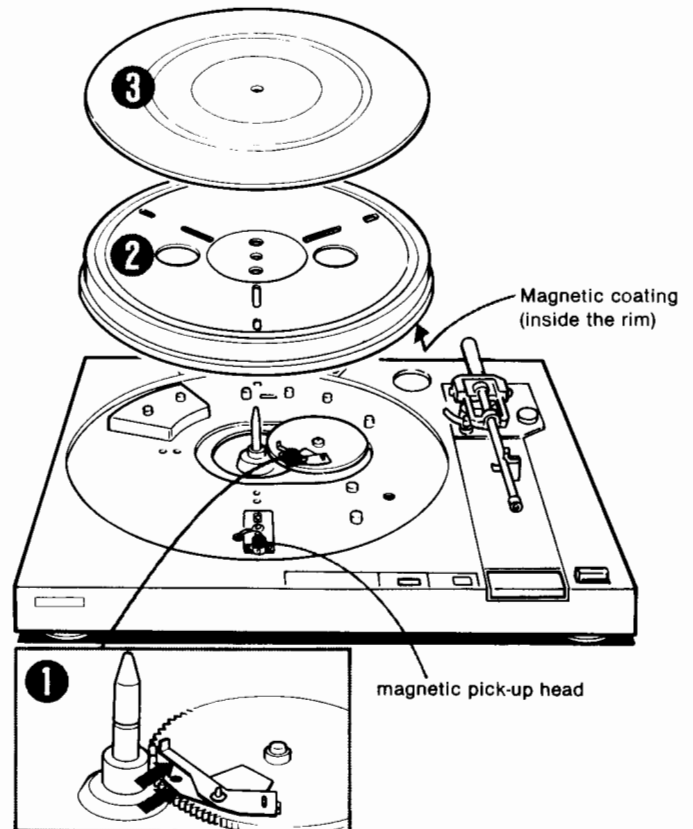
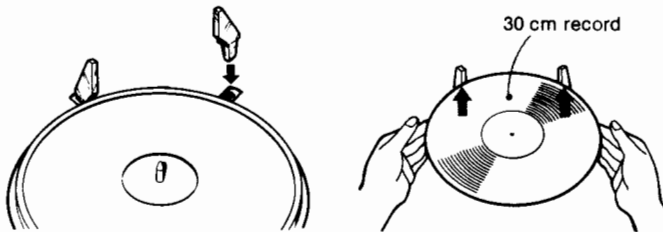
Save the packing box and materials for possible future use.

The numbers in the illustration refer to the sequence of assembly.

- ❶ Keep the metallic parts indicated by the arrows in the illustration inside the large white gear.
- ❷ Carefully place the platter on the motor board by fitting the center hole over the center spindle. Be careful that no foreign objects lodge under the platter.
- ❸ Do not touch the magnetic coating or the magnetic pick-up head.
- ❹ Place the rubber mat on the platter.

Disc centering guide installation

Insert the supplied disc centering guide as illustrated.



CARTRIDGE INSTALLATION

Notice on the PS-LX2C

The supplied cartridge has been installed correctly on the cartridge shell at the factory. So the following procedures should be skipped unless you replace the cartridge.

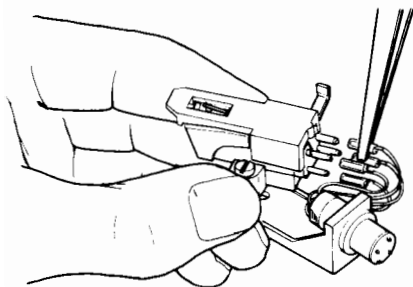
U.S.A. model: a cartridge weighing from 2.8 to 7.3 g can be mounted with the supplied cartridge shell (4.7 g).

Canadian model: a cartridge weighing from 2.3 to 6.8 g can be mounted with the supplied cartridge shell (5.2 g).

The illustrations of the cartridge shell show that of the U.S.A. model but the instructions are same.

1 Connect the lead wires of the shell to the corresponding pins on the cartridge.

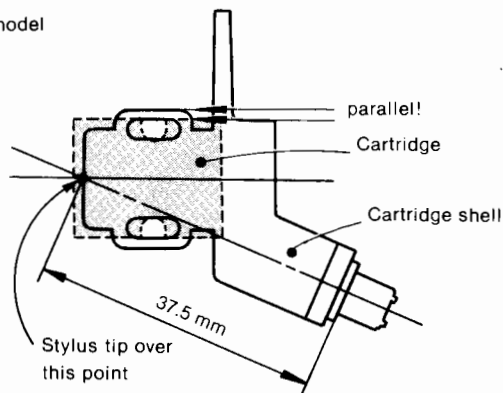
Wires	Cartridge pins
White	White, L (Left channel signal)
Blue	Blue, LE or G (Left channel ground)
Red	Red, R (Right channel signal)
Green	Green, RE or G (Right channel ground)



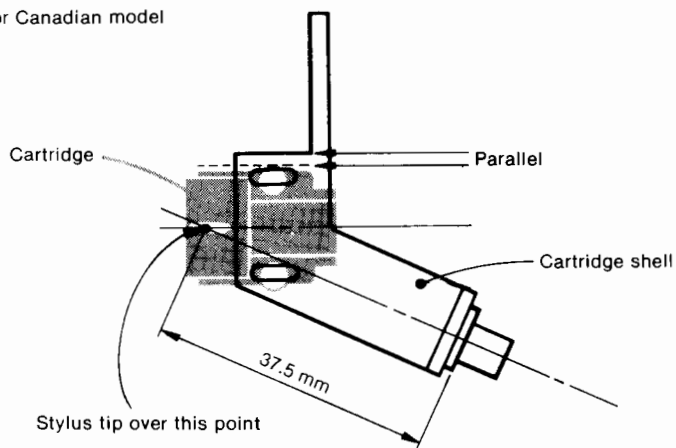
2 Temporarily install the cartridge into the cartridge shell with the supplied mounting screws.

3 Place the cartridge shell exactly over the diagram below and adjust the position of the cartridge so that the stylus tip is just over the point where the lines cross. Then tighten the screws down.

For U.S.A. model

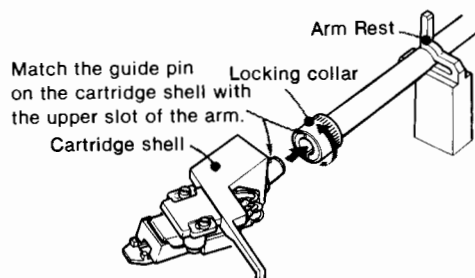


For Canadian model

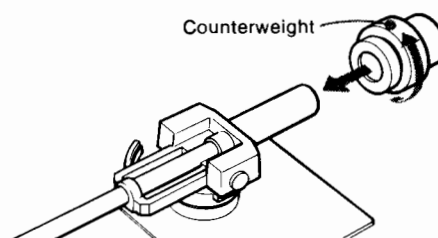


TONARM ASSEMBLY

- 1 Secure the tonearm to the arm rest.
- 2 Plug the cartridge shell into the tonearm and turn the locking collar counterclockwise until the shell is firmly locked.



- 3 Insert the counterweight and turn it in the direction of the arrow.



TONARM ADJUSTMENT

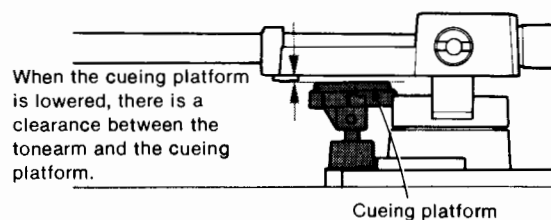
The turntable must be on a level surface while the tonearm is being adjusted.

Be careful not to damage the stylus tip while making adjustments.

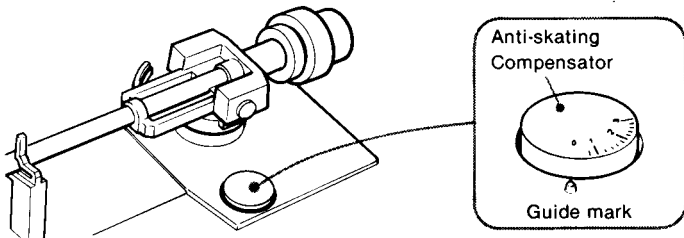
TONARM BALANCE ADJUSTMENT

It is critically important for good sound reproduction that the stylus traces the record groove accurately and with the proper tracking force. To do this, the tonearm must first be balanced so that the proper tracking force can be applied. Be sure that the power cord is disconnected.

- 1 Depress the ∇ / ∇ button to lower the cueing platform.

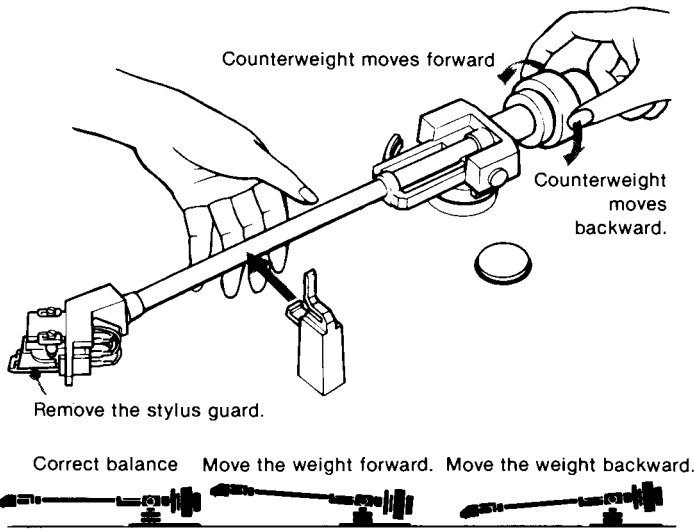


② Set the anti-skating compensator to "0".



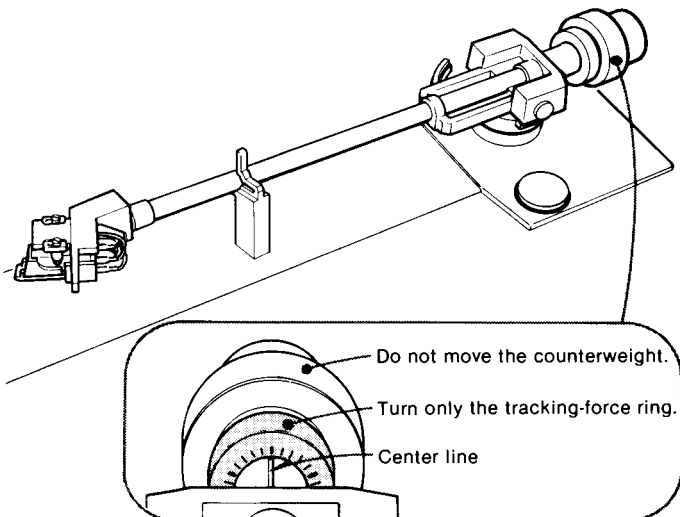
③ Remove the stylus guard and release the tonearm from the arm rest.

④ Adjust the position of the counterweight by turning it. Release the tonearm gently and check the balance. Repeat this step until the arm is balanced.



⑤ After the tonearm is balanced, replace the stylus guard and secure the tonearm to its rest.

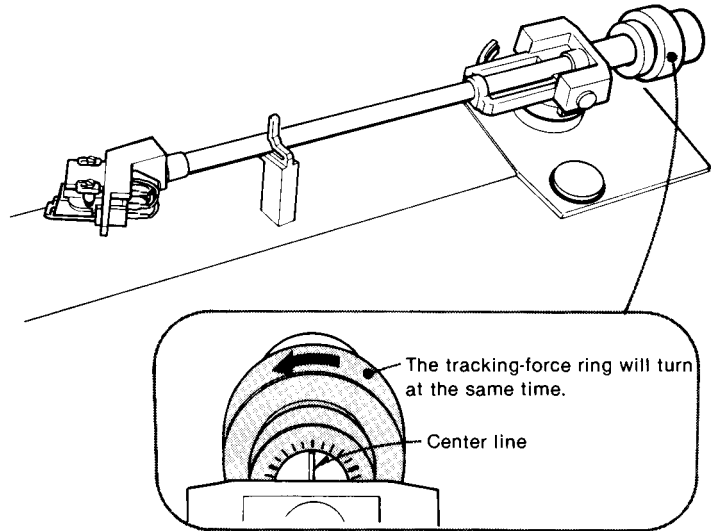
⑥ While making sure that the counterweight remains in the balanced position, carefully turn the tracking force ring until the "0" indication is aligned with the center line on the tonearm.



TRACKING FORCE *1 ADJUSTMENT

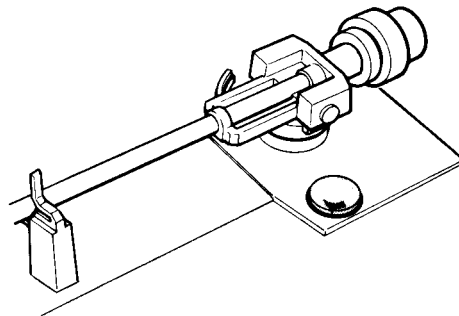
Turn the counterweight as illustrated so that the recommended tracking force for your cartridge is aligned with the center line on the tonearm. The maximum tracking force available is 3 grams.

● The recommended tracking force for the VL-5 cartridge (supplied only with the PS-LX2C) is 2 grams.



ANTI-SKATING *2 COMPENSATION

Turn the anti-skating compensator so that the guide mark is aligned with the selected tracking force value.



*1 Tracking force

Tracking force is the vertical force applied to the stylus tip so that it can accurately trace a record groove.

The tracking force is applied after the tonearm is balanced.

Since the proper tracking force differs depending on which cartridge is installed, be sure to apply the tracking force recommended for your cartridge. If the tracking force is too light, the stylus will skip grooves. When it is too heavy, the stylus tip and the record will wear excessively. Note that if you play a record at a temperature below 10°C (50°F), or if the record to be played is badly warped, the tracking force should be increased by 20%.

*2 Anti-skating compensator

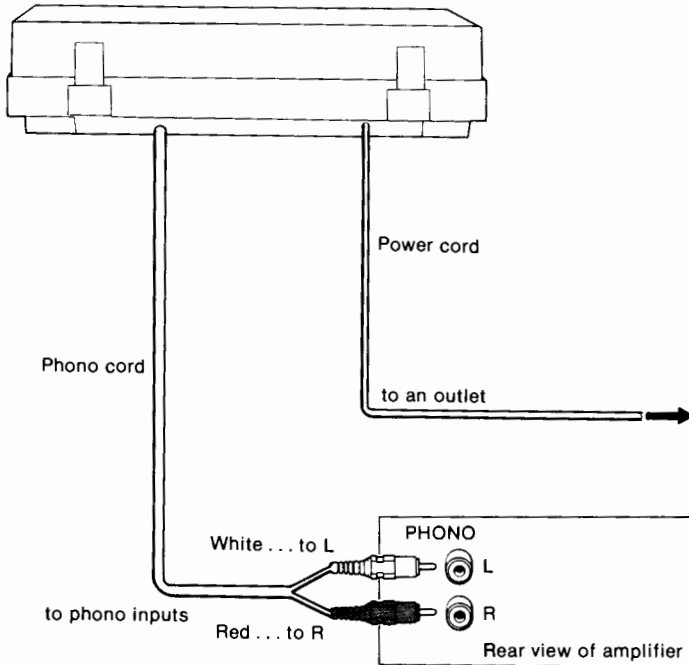
While the record is being played, friction between the record groove and the stylus produces a force that tends to drive the tonearm toward the center of the record.

The anti-skating compensator cancels this force. The anti-skating force should be the same value as the tracking force.

Incorrect adjustment of the anti-skating compensator results in sound distortion and uneven wear on both the stylus and the record.

CONNECTIONS

- Turn off the amplifier before making connections.
- Be sure to insert the cable connectors firmly into the jacks. Loose connections may cause hum and noise.
- Connect the red plug of the connecting cord to the right-channel jack [R] of the amplifier and the white plug to the left-channel jack [L]. Otherwise, the right and left channels will be reversed.
- Leave a little slack in the connecting cord to allow for inadvertent shock or vibration.



TIPS ON RECORD HANDLING

- Before playing, clean the record with a record cleaner or soft cloth. If a spray cleaner is used, make sure that it has dried completely before playing the record. Playing the record before the cleaner has dried may damage the record. It is a good idea to clean the record again before putting it away.
- Handle a record by its edges and do not touch the grooves. Fingerprints on the record surface may encourage an accumulation of dust, resulting in impaired tone.
- Use a commercially available anti-static spray to neutralize the static electricity on a record.
- Avoid exposing a record to direct sunlight or sources of heat, such as a hot-air duct.
- Store your records vertically. They should not be compressed.

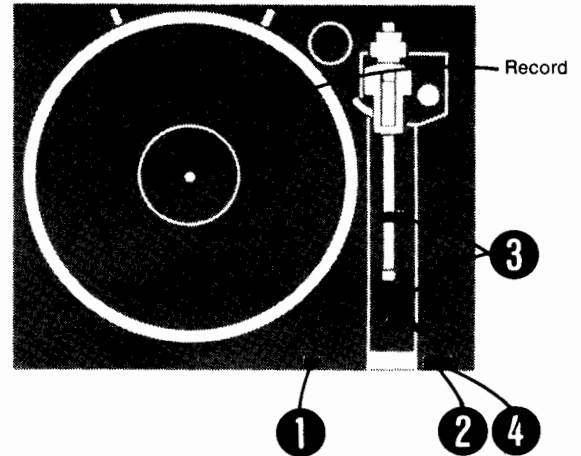
RECORD PLAYING

PREPARATION

- Place a record on the platter. For 17 cm (7 inch) records, put the supplied 45-rpm adaptor over the center spindle.
- Lower the amplifier volume and set the input selector to PHONO.

TO START PLAYING

The numbers in the illustration refer to the sequence of operation.



- 1 Select the correct record speed with the SPEED button. For 45 rpm records, depress the SPEED button. For 33 rpm records, release it. To release a depressed button, press it again.
 - 2 Press and release the ∇ / ∇ button to raise the tonearm.
 - 3 Remove the stylus guard and bring the tonearm above the lead-in groove of the record. The turntable start rotating.
 - 4 Depress the ∇ / ∇ button. The tonearm will lower onto the record and the record will begin playing.
- After the tonearm has lowered onto the record, adjust the volume and tone of the amplifier.
 - When the tonearm reaches the end of the record, it will be automatically raised, return to its rest, and then lower by itself. The turntable will stop rotating and the power will be turned off automatically.

TO LIFT UP THE STYLUS DURING PLAY

To listen to another part of the record being played, or to lift up the stylus on a record for a brief moment and start playing from the same point, press and release the ∇ / ∇ button. The tonearm will be lifted up. To lower it again, depress the ∇ / ∇ button.

TO STOP DURING PLAY

Press the REJECT button. The tonearm will lift up and automatically return to the arm rest. The cueing platform will lower when the tonearm reaches the arm rest and the unit will be turned off.

REPLACING THE STYLUS

The stylus will lose its effectiveness and begin to damage records after about 400 hours of use.

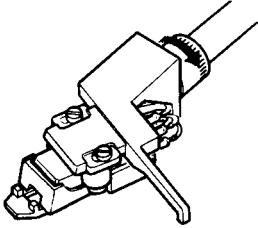
An ND-5G replacement stylus for the VL-5 is available at your Sony dealer.

Handle the stylus carefully as it is very delicate.

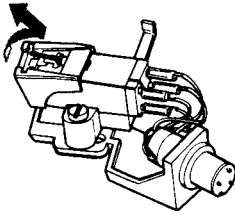
Install the replacement stylus as follows.

❶ Lower the sound level or turn the amplifier off.

❷ Secure the tonearm to the arm rest and separate the shell from the tonearm by turning the locking collar in the direction of the arrow.



❸ Detach the stylus assembly by grasping it between the thumb and forefinger and pulling gently in the direction of the arrow.



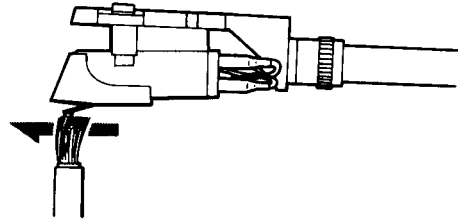
❹ Insert the new stylus into the cartridge.

❺ Plug the cartridge into the tonearm and turn the locking collar counterclockwise until the shell is locked.

MAINTENANCE

Stylus

Before playing a record, clean the stylus with a soft brush. Brush the stylus from back to front. Never attempt to clean the stylus with your finger tip. If a fluid stylus cleaner is used, make sure not to moisten the stylus too much.



Cabinet

Clean the cabinet and dust cover periodically with a soft dry cloth. If the stains are difficult to remove, use a cloth moistened with a mild detergent solution. Do not use solvents such as alcohol, benzine or thinner, since they will damage the finish.

Rubber mat

When the rubber mat becomes dirty, wipe it gently with a soft cloth slightly dampened with water.

Lubrication

The turntable requires no periodic lubrication. The motor shaft is lubricated at the factory for the life of the turntable.

SPECIFICATIONS

Turntable

Platter	31 cm (12 ¹ / ₄ in.), aluminum-alloy diecast
Motor	Linear torque BSL (brushless and slotless) motor
Drive system	Direct drive
Control system	Magnedisc servo control system
Speed	33 ¹ / ₃ rpm, 45 rpm
Starting characteristics	Comes to nominal speed within a half revolution (33 ¹ / ₃ rpm)
Wow and flutter	0.02% (WRMS) * 0.025% (WRMS)
Signal-to-noise ratio	75 dB (DIN-B)
Load characteristics	0.05% up to 150 g stylus force (at lead-in groove of a record)

Tonearm

Type	Statically balanced
Pivot-to-stylus length	216.5 mm (8 ⁵ / ₈ in.)
Overhang	16.5 mm (2 ¹ / ₃₂ in.)
Stylus force adjustment range	0 - 3 g
Cartridge shell weight	U.S.A. model : 4.7 g Canadian model : 5.2 g
Cartridge weight range (including supplied shell)	7.5 - 12 g

Cartridge VL-5 (supplied only with the PS-LX2C)

Type	Moving magnet type
Frequency response	10 Hz to 20 kHz
Channel separation	20 dB at 1 kHz
Output voltage	3.5 mV at 1 kHz, 5 cm/sec., 45°
Load impedance	47 to 100 kilohms
Tracking force	1.5 to 2.5 g (2 g recommended)
Stylus	Sony ND-5G (Conical 0.6 mil diamond)
Weight	5.0 g

General

Power requirements	120 V ac, 60 Hz
Power consumption	8 W
Dimensions	Approx. 430 × 105 × 355 mm (w/h/d) (17 × 4 ¹ / ₄ × 14 in.)
Weight	including projecting parts and controls Approx. 5.8 kg (12 lbs 13 oz), net Approx. 7.1 kg (15 lbs 10 oz), in shipping carton
Supplied accessories	45-rpm adaptor (1) Cartridge shell (1) Disc centering guides (2) Cartridge VL-5 (only with the PS-LX2C) (1)

Design and specifications subject to change without notice.

* This new measuring method concerns only the turntable assembly, including the platter. It excludes wow and flutter caused by the tonearm, the cartridge, or the record. Measured by obtaining signal from magnetic pick-up head.

TROUBLE CHECKS

The following trouble checks will help you correct most common problems encountered with a turntable system. Should any problem persist after you have made these checks, consult your nearest Sony service facility.

Before proceeding with these trouble checks, first refer to the connections and the operating procedures on page 6.

Impaired tone quality

- Improper tracking force. See "Tonearm adjustment" on page 4.
- Dusty stylus.
- The turntable is not placed on a level surface.
- The turntable is incorrectly placed on or too near a speaker.
- Worn stylus or defective record. (The stylus life is approximately 400 hours of playing time.)
- Incorrect stylus installation.
- Improper tonearm balance.
- Improper setting of the anti-skating compensator.

No audio from one channel

- Loose attachment of the cartridge shell to the tonearm.
- Poor shell connection. Wipe the connector pins with denatured alcohol.
- Loose connection of phono connecting cord.
- Low volume level setting for one channel of the amplifier.

Groove skipping, tonearm tends to skate, tonearm does not advance.

- Improper tracking force. See "Tonearm adjustment" on page 4.
- Improper setting of the anti-skating compensator.
- The turntable is not placed on a level surface.
- Defective record.
- External vibrations.

Steady low-pitched hum

- Loose connection between the cartridge shell and the tonearm.
- Loose connection of phono cord.

Loud rumble or low-frequency howl*

- The turntable is affected by external vibration.
- The turntable is too near a speaker.

*This is called "acoustic feedback" and is caused when vibrations from the speakers are transmitted through the air or via solid objects (such as the shelves, the cabinet, the floor, etc.) to the turntable, where it is picked up by the stylus, amplified and reproduced through the speakers once again.

Free Manuals Download Website

<http://myh66.com>

<http://usermanuals.us>

<http://www.somanuals.com>

<http://www.4manuals.cc>

<http://www.manual-lib.com>

<http://www.404manual.com>

<http://www.luxmanual.com>

<http://aubethermostatmanual.com>

Golf course search by state

<http://golfingnear.com>

Email search by domain

<http://emailbydomain.com>

Auto manuals search

<http://auto.somanuals.com>

TV manuals search

<http://tv.somanuals.com>