

# ***Stereo Turntable System***

---

Operating Instructions

***PS-J20***

## WARNING

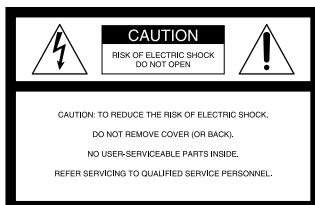
**To reduce the risk of fire or electric shock, do not expose this apparatus to rain or moisture.**

**Do not install the appliance in a confined space, such as a bookcase or built-in cabinet.**

To prevent fire, do not cover the ventilation of the apparatus with news papers, table-cloths, curtains, etc. And don't place lighted candles on the apparatus.

To prevent fire or shock hazard, do not place objects filled with liquids, such as vases, on the apparatus.

## For the customers in the U.S.A.



This symbol is intended to alert the user to the presence of uninsulated "dangerous voltage" within the product's enclosure that may be of sufficient magnitude to constitute a risk of electric shock to persons.



This symbol is intended to alert the user to the presence of important operating and maintenance (servicing) instructions in the literature accompanying the appliance.

### CAUTION

You are cautioned that any changes or modification not expressly approved in this manual could void your authority to operate this equipment.

## For the customers in Canada

### CAUTION

TO PREVENT ELECTRIC SHOCK, DO NOT USE THIS POLARIZED AC PLUG WITH AN EXTENSION CORD, RECEPTACLE OR OTHER OUTLET UNLESS THE BLADES CAN BE FULLY INSERTED TO PREVENT BLADE EXPOSURE.

## NOTICE FOR THE CUSTOMERS IN THE UNITED KINGDOM

A moulded plug complying with BS1363 is fitted to this equipment for your safety and convenience. Should the fuse in the plug supplied need to be replaced, a fuse of the same rating as the supplied one and approved by ASTA or BSI to BS1362, (i.e., marked with mark ⚡ or ⚡ mark) must be used. If the plug supplied with this equipment has a detachable fuse cover, be sure to attach the fuse cover after you change the fuse. Never use the plug without the fuse cover.

If you should lose the fuse cover, please contact your nearest Sony service station.

## Precautions

### On safety

- Before operating the unit, check that the operating voltage of your unit is identical with that of your local power supply.
- Should any solid object or liquid fall into the cabinet, unplug the unit and have it checked by qualified personnel before operating it any further.
- Unplug the unit from the wall outlet if it is not to be used for an extended period of time. To disconnect the cord, pull it out by the plug. Never pull the cord itself.
- The unit is not disconnected from the AC power source (mains) as long as it is connected to the wall outlet, even if the unit itself has been turned off.
- The nameplate indicating operating voltage, power consumption, etc. is located on the rear exterior.

### On placement

- Place the unit on a level surface.
- Avoid placing the unit near electrical appliances (such as a television, hair dryer, or fluorescent lamp) which may cause hum or noise.
- Place the unit where it will not be subject to any vibration, such as from speakers, slamming of doors, etc.
- Keep the unit away from direct sunlight, extremes of temperature, and excessive dust and moisture.
- Use caution when placing the unit on surfaces that have been specially treated (with wax, oil, polish, etc.) as staining or discoloration of the surface may result.

### On repacking

Keep the carton and packing materials. They provide an ideal container to transport the unit.

If you have any question or problem concerning your unit that is not covered in this manual, please consult your nearest Sony dealer.

---

## Welcome!

Thank you for purchasing the Sony Stereo Turntable System. Before operating the unit, please read this manual thoroughly and retain it for future reference.

### Convention

The following icon is used in this manual:



Indicates hints and tips for making the task easier.

# TABLE OF CONTENTS

---

## Getting Started

- Unpacking 3
  - Assembling the Turntable 4
  - Setting the Voltage Selector (Only on models supplied with a voltage selector) 4
  - Hooking up the Turntable 5
- 

## Operations

- Playing a Record 6
- 

## Additional Information

- Maintenance 7
- Troubleshooting 8
- Specifications 8
- Parts and Controls 9

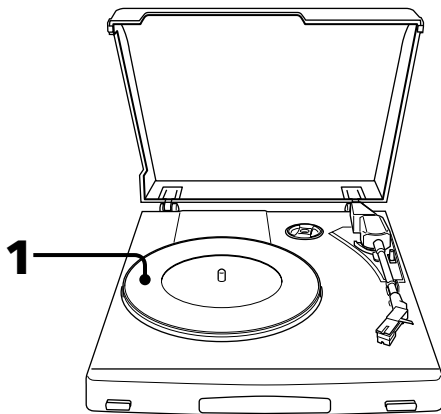
---

## Unpacking

Check that you received the following items with your turntable:

- Rubber mat (1)
- 45 r/min adaptor (1)

## Assembling the Turntable



- 1 Place the rubber mat on the platter.  
To make sure it operates properly, rotate the platter clockwise once or twice with your hand.

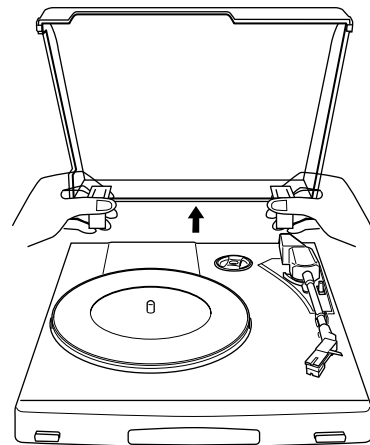
### Notes on installation

- Place the turntable on a level surface.
- Avoid placing the unit near electrical appliances (such as a television, hair dryer, or fluorescent lamp) which may cause hum or noise.
- Place the turntable where it will not be subject to any vibration, such as from speakers, slamming of doors, etc.
- Keep the unit away from direct sunlight, extremes of temperature, and excessive dust and moisture.

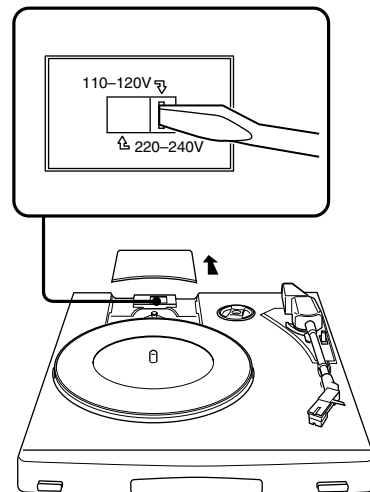
## Setting the Voltage Selector (Only on models supplied with a voltage selector)

Check that the voltage selector is set to the local power line voltage. If not, set the selector to the correct position using a screwdriver.

- 1 Remove the dust cover.



- 2 Remove the lid, and set the voltage selector to the local power line voltage using a screwdriver.

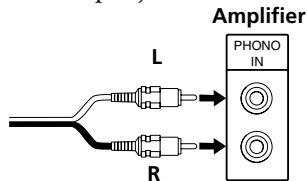


- 3 Replace the lid and close the dust cover.

## Hooking up the Turntable

The phono cables and earth lead come attached to the rear of the cabinet.

- 1 Connect the cable with the red plug to the right PHONO IN R input jack on the amplifier and connect the cable with the white plug to the left PHONO IN L input jack.

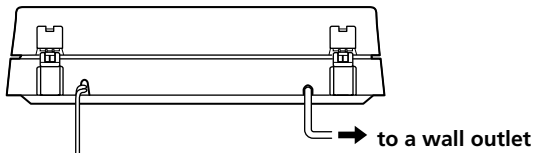


- 2 Set MM.AMP. on the bottom panel according to the amplifier connection as follows:

| For connection to       | Set MM.AMP. to |
|-------------------------|----------------|
| PHONO IN jacks          | OFF            |
| AUX IN or LINE IN jacks | ON             |

## Mains lead hookups

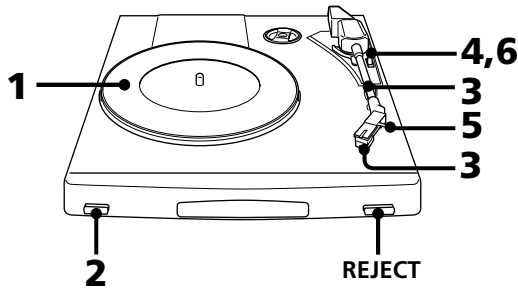
Connect the mains lead to an AC wall outlet after completing all of the previous connections.



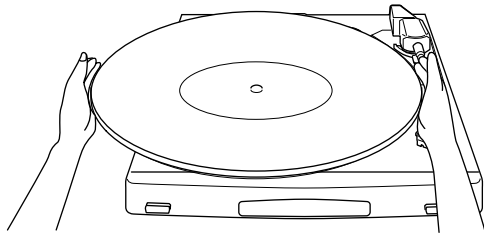
### Note

Install this system so that the power cord can be unplugged from the wall socket immediately in the event of trouble.

## Playing a Record



- 1 Place a record on the platter.



### Note

Place only one record on the platter at a time. If two or more records are stacked on the platter, the stylus will not make proper contact with the grooves and the quality of reproduction will be impaired.

- 2 Press SPEED to select the speed.
- 3 Remove the protective cover from the cartridge, and release the stopper from the tone arm.
- 4 Set the cueing lever backward.
- 5 Move the tone arm to the desired position over the record.
- 6 Set the cueing lever forward.  
The tone arm descends slowly to the record and playback begins.
- 7 Adjust the volume on your amplifier.

### To stop playing

Press REJECT.

### To pause playback

Set the cueing lever backward to raise stylus off the record during playback.

### To listen to a different part of the record

- 1 Set the cueing lever backward to raise stylus during playback.
- 2 Move the tone arm to the position you desire.
- 3 Set the cueing lever forward.

### To play a 17-cm record

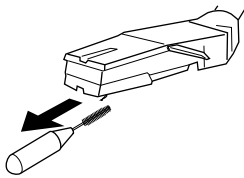
Place the supplied 45 r/min adaptor on the spindle. When you have finished using the adaptor, put it back in the adaptor tray.

# Maintenance

## Stylus and Record Care

In order to prevent premature stylus and record wear, the stylus and record should be cleaned before playback.

To clean the stylus, brush it from back to front using a good quality stylus cleaning brush. Do not clean the stylus with your finger tip. When using a fluid stylus cleaner, make sure not to moisten the stylus too much.



To clean your records, wipe thoroughly using a good quality record cleaner.

## Cleaning the Cabinet and Dust Cover

Clean the cabinet and dust cover periodically using a soft dry cloth. If stains are difficult to remove, use a cloth moistened with a mild detergent solution. Do not use solvents such as alcohol, benzine or thinner, since they will damage the finish.

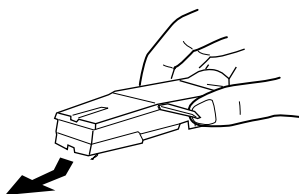
## Replacing the Stylus

The life expectancy of the stylus tip is about 400 hours. To preserve maximum sound quality and avoid damage to your records, we recommend replacing the stylus within this time limit.

Additional replacement styli (CN-234) are available from your Sony dealer.

### To replace the stylus

- 1 Turn off the amplifier.
- 2 While holding the cartridge, detach the stylus assembly as illustrated.
- 3 Insert the new stylus into the cartridge.



### Troubleshooting

Before going through the check list below, first make sure that:

- The power cord is securely connected.
  - The speaker cords are securely connected.
- Should any problem persist after you have made these checks, consult your nearest Sony dealer.

#### The tone arm skips, skates or does not advance.

- ➔ The turntable is not level. Place the turntable on a level surface.
- ➔ The record is dirty or scratched.  
Clean the record with a commercially available record cleaning kit, or replace the record.

#### Poor sound quality, excessive noise, intermittent sound, etc...

- ➔ The stylus is dirty or worn. Remove dust on the stylus using a stylus cleaning brush, or replace the worn stylus (see page 7).
- ➔ Dust or dirt has collected on the record. Clean the record using a good quality record cleaner.

#### Rumble or low-frequency howl\*.

- ➔ The turntable is placed too close to speakers. Move speakers away from the turntable.

#### Platter does not rotate.

- ➔ Make sure the power cord is inserted all the way into an AC wall outlet.

#### Sound is too low or distorted.

- ➔ The turntable is not connected to the PHONO inputs on the amplifier (see page 5).
- ➔ Set MM.AMP. ON/OFF to the appropriate position (see page 5).

\* This phenomenon, called "acoustic feedback", occurs when vibrations from the speakers are transmitted through the air or via solid objects (such as shelves, a cabinet, or the floor) to the turntable where they are picked up by the stylus, amplified and reproduced through the speakers.

### Specifications

#### Motor and Platter

|                       |  |
|-----------------------|--|
| Drive system          | Belt-drive   |
| Motor                 | DC servo motor                                       |
| Platter               | 18.5cm, molded aluminum alloy                        |
| Speeds                | 33 <sup>1</sup> / <sub>3</sub> and 45 r/min, 2 speed |
| Wow and flutter       | Less than 0.25% (WRMS)                               |
| Signal to noise ratio | More than 45 dB (DIN-B) with supplied cartridge      |

#### Tone Arm

|                      |  |
|----------------------|--|
| Type                 | Static balanced integrate straight arm |
| Effective arm length | 204 mm                                 |

#### General

|                    |   |
|--------------------|---|
| Power requirements | U.S.A. and Canadian models: 120V AC, 60 Hz<br>Europe model: 220 – 230 V AC, 50/60 Hz<br>Other countries: 110 – 120/220 – 240 V AC, 50/60 Hz |
| Power consumption  | 5 W   |
| Dimensions         | Approx. 280 x 87 x 314 mm (w/h/d)<br>(11 x 3 <sup>7</sup> / <sub>16</sub> x 12 <sup>3</sup> / <sub>8</sub> inches)                          |
| Mass               | 2kg (4 lb 6 oz)   |

#### Supplied Accessories

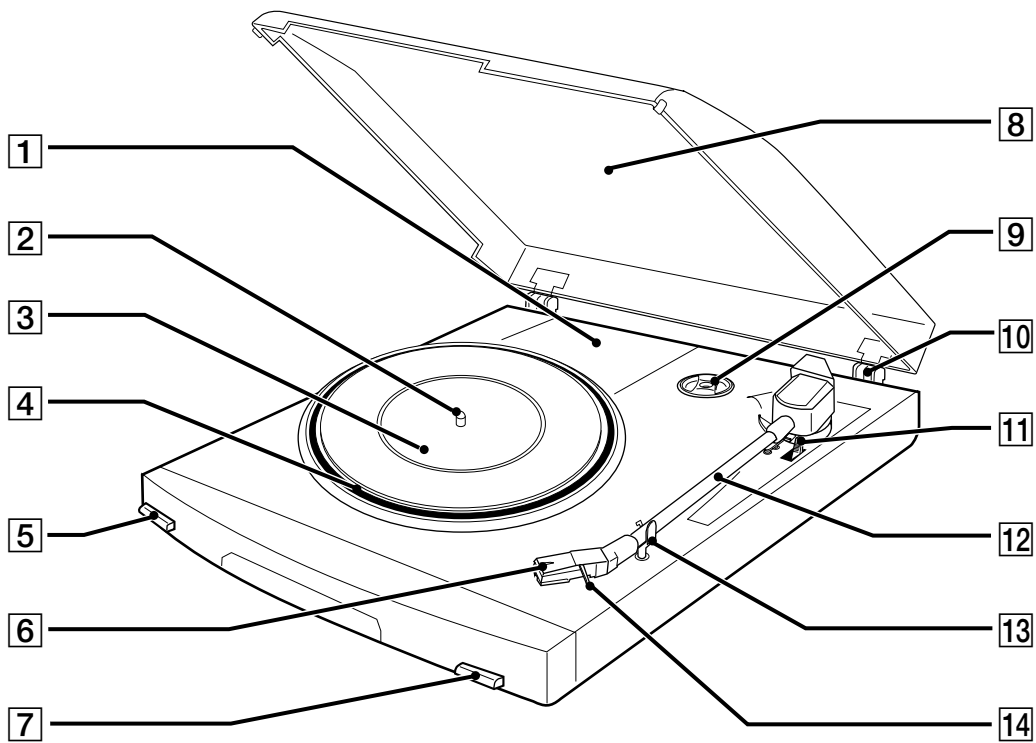
|                      |
|----------------------|
| 45 r/min adaptor (1) |
| Rubber mat (1)       |

Design and specifications are subject to change without notice.



## Parts and Controls

- |   |                           |
|---|---------------------------|
| <b>1</b> Voltage selector (inside) (except USA and Europe models) | <b>8</b> Dust cover       |
| <b>2</b> Spindle  | <b>9</b> 45 r/min adaptor |
| <b>3</b> Rubber mat   | <b>10</b> Hinge           |
| <b>4</b> Platter  | <b>11</b> Cueing lever    |
| <b>5</b> SPEED button   | <b>12</b> Tone arm        |
| <b>6</b> Cartridge  | <b>13</b> Arm stand       |
| <b>7</b> REJECT button  | <b>14</b> Finger lift     |









## Free Manuals Download Website

<http://myh66.com>

<http://usermanuals.us>

<http://www.somanuals.com>

<http://www.4manuals.cc>

<http://www.manual-lib.com>

<http://www.404manual.com>

<http://www.luxmanual.com>

<http://aubethermostatmanual.com>

Golf course search by state

<http://golfingnear.com>

Email search by domain

<http://emailbydomain.com>

Auto manuals search

<http://auto.somanuals.com>

TV manuals search

<http://tv.somanuals.com>