

Remote Commander



* 4 1 4 7 6 4 8 1 1 * (2)

Operating Instructions

AIR-RM10

<http://www.sony.net/>

©2009 Sony Corporation Printed in China

WARNING

Do not expose batteries or apparatus with battery-installed to excessive heat such as sunshine, fire or the like.

Owner's Record

The model and serial numbers are located on the bottom of the unit. Record these numbers in the space provided below. Refer to them whenever you call upon your Sony dealer regarding this product.

Model No. _____
Serial No. _____

NOTE:

This equipment has been tested and found to comply with the limits for a Class B digital device, pursuant to Part 15 of the FCC Rules. These limits are designed to provide reasonable protection against harmful interference in a residential installation. This equipment generates, uses and can radiate radio frequency energy and, if not installed and used in accordance with the instructions, may cause harmful interference to radio communications. However, there is no guarantee that interference will not occur in a particular installation. If this equipment does cause harmful interference to radio or television reception, which can be determined by turning the equipment off and on, the user is encouraged to try to correct the interference by one or more of the following measures:

- Reorient or relocate the receiving antenna.
- Increase the separation between the equipment and receiver.
- Connect the equipment into an outlet on a circuit different from that to which the receiver is connected.
- Consult the dealer or an experienced radio/TV technician for help.

CAUTION

You are cautioned that any changes or modifications not expressly approved in this manual could void your authority to operate this equipment.

This equipment must not be co-located or operated in conjunction with any other antenna or transmitter.

This equipment complies with FCC radiation exposure limits set forth for uncontrolled equipment and meets the FCC radio frequency (RF) Exposure Guidelines in Supplement C to OET65. This equipment has very low levels of RF energy that it is deemed to comply without testing of specific absorption ratio (SAR).

- "S-AIR" and its logo are trademarks of Sony Corporation.
- The Bluetooth word mark and logos are owned by the Bluetooth SIG, Inc. and any use of such marks by Sony Corporation is under license. Other trademarks and trade names are those of their respective owners.
- iPod and iTunes are trademarks of Apple Inc., registered in the U.S. and other countries.
- iPhone is a trademark of Apple Inc.
- All other trademarks and registered trademarks are of their respective holders. In this manual, ™ and ® marks are not specified.

Features

The AIR-RM10 is an "S-AIR" compatible product. Using this unit, you can operate the S-AIR transmitter product (called S-AIR main unit) to select a track to be played on the S-AIR receiver product (called S-AIR sub unit) and check information on the display of this remote commander, such as a track name, which is sent from the S-AIR main unit. For the S-AIR sub unit, power management, volume adjustment and coupling operations can be performed using this remote commander. After the coupling operation is established, the S-AIR sub unit and this remote commander are linked together. This unit is also compatible with "MULTI SOURCE" mode. That will allow you to select and to listen to multiple sources sent from the S-AIR main unit to the S-AIR sub units.

Precautions

Notes on use of the S-AIR product

- As the S-AIR product transmits data by radio waves, data may skip when radio waves are obstructed. This is a characteristic of radio waves and is not a malfunction.
- As the S-AIR product transmits data by radio waves, equipment that generates electromagnetic energy, such as a microwave oven, may interfere with sound transmission.
- As the S-AIR product uses the radio waves that share the same frequency as other wireless systems, such as wireless LAN or Bluetooth devices, interference or poor transmission may result. In this case, take the following step:
 - Do not use S-AIR product and the other wireless systems at the same time.
- The transmission distance differs depending on the usage environment. Find a location where transmission between the unit and the S-AIR main unit is most effective, and install the unit and the S-AIR main unit there.

On safety

Should any solid object or liquid get into the unit, and have it checked by qualified personnel before operating it again.

On placement

- Do not place the unit in an inclined position or in locations that are extremely hot, cold, dusty, dirty, humid or lacking adequate ventilation, subject to vibration, direct sunlight or bright light.
- Be careful when placing the unit on surfaces that have been specially treated (for example, with wax, oil, polish) as staining or discoloration of the surface may result.

On heat buildup

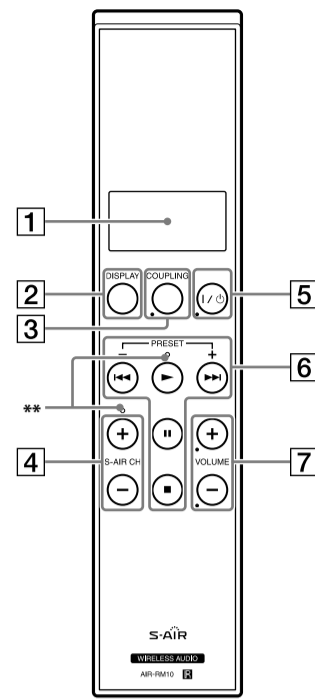
Heat buildup in the unit during operation is normal and is not cause for alarm.

Cleaning the cabinet

Clean the cabinet with a soft dry cloth. Do not use any type of abrasive pad, scouring powder, or solvent, such as thinner, benzene, or alcohol.

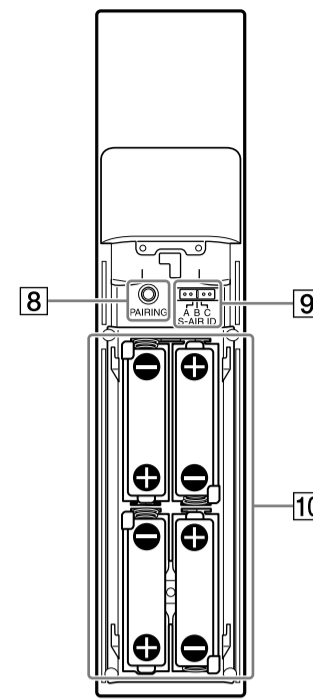
Identifying the parts

Unit (front)



- 1 **Display**
- 2 **DISPLAY button**
Changes the content in the information display lines.
- 3 **COUPLING button***
To identify one of the S-AIR sub units.
- 4 **S-AIR CH +/- button**
- 5 **I/⏻ (power) button***
Turns on/off the power of the S-AIR sub unit.
- 6 **Play operation buttons/ PRESET +/- button**
- 7 **VOLUME +/- button***
Changes the volume of sub unit.

Unit (rear without the battery compartment lid)

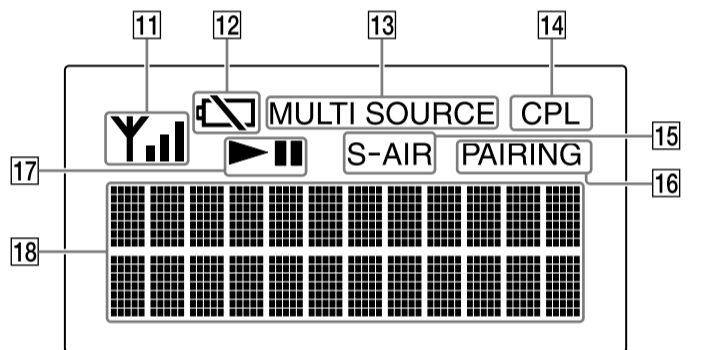


- 8 **PAIRING button**
- 9 **S-AIR ID selector**
To set the same ID for this unit and an S-AIR main unit.
- 10 **Battery compartment**

* The buttons with a circle mark beside them are for operating S-AIR sub units. Aim the top end of this unit at the remote sensor of a S-AIR sub unit.

** These are tactile dots.

Display



- 11 **Wireless strength**
- 12 **Battery Status**
Blinks when the battery level is low. Turns on when the batteries are empty. Replace all the batteries with new ones.
- 13 **MULTI SOURCE**
Turns on when the main unit is set to MULTI SOURCE mode.
- 14 **CPL**
Blinks when the coupling operation setting is in process: turns on when the coupling operation is on.
- 15 **S-AIR**
Turns on when the unit and the main unit are connected by S-AIR.
- 16 **PAIRING**
Blinks when the pairing operation setting is in process: turns on when the pairing operation is on.
- 17 **▶||**
Displays the playing status of the main unit.
- 18 **Information display lines**
Displays setting status, the S-AIR main/sub unit information, etc.

At the left end of each line, the following icons will be displayed.
 - 🎵 (Music/Track)
 - 🎧 (Album)
 - 👤 (Artist)
 - 📀 (Playlist)
 - 🎵 (Genre)

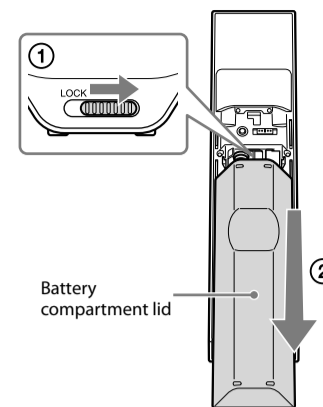
S-AIR (Sony Audio Interactive Radio frequency)

Recent times have seen the rapid spread of DVD media, Digital Broadcasting, and other high-quality media. To ensure that the subtle nuances of these high-quality media are transmitted with no deterioration, Sony has developed a technology called "S-AIR" for the radio transmission of digital audio signals with no compression, and has incorporated this technology into AIR-RM10. This technology transfers digital audio signals with no compression using the 2.4 GHz band range of ISM band (Industrial, Scientific, and Medical band), such as wireless LANs and Bluetooth applications.

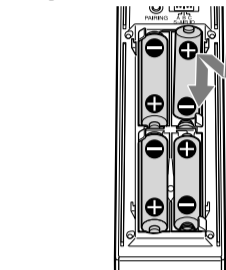
Getting started

Inserting the batteries

- 1 **Unlock ① and slide ② the battery compartment lid to open.**



- 2 **Insert the four supplied LR6 (size AA) batteries.**
Insert ⚡ side first, matching the polarities as shown below.



- 3 **After inserting the batteries, attach the battery compartment lid, and lock it.**



- Notes on using the remote commander**
- With normal use, the batteries should last for about five months.
 - Do not mix old batteries with new ones or mix different types of batteries.
 - If you do not use the remote commander for a long period of time, remove the batteries to avoid damage from battery leakage and corrosion.

Establishing the connection with an S-AIR main unit

Connect the unit and S-AIR main unit. You can easily establish the connection by setting the same S-AIR ID for this unit and the S-AIR main unit.

- 1 **Turn on the S-AIR main unit.**

Note
Pressing I/⏻ (power) of this unit cannot turn on the S-AIR main unit. Use the button on the S-AIR main unit or infrared remote (if supplied) to turn on the main unit.

- 2 **Unlock and open the battery compartment lid, and then set the S-AIR ID selector to the same ID as of the S-AIR main unit to be connected.**

For details on setting the S-AIR ID of the S-AIR main unit, refer to the Operating Instructions supplied with the S-AIR main unit.

- 3 **Press any button on this unit.**

The unit turns on and starts searching S-AIR connection.

- 4 **Operate the S-AIR main unit to turn on the S-AIR function.**

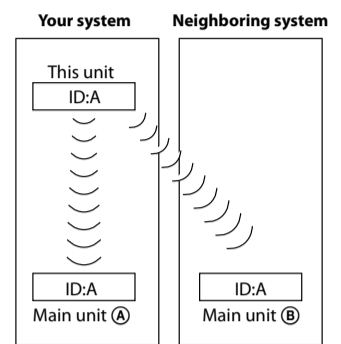
Once the connection is established, "S-AIR" turns on. The model name of the main unit and "LINKED" appears in information display lines for a few seconds.

Note
Be sure to also set the same S-AIR ID on the S-AIR sub unit. Refer to the Operating Instructions of the S-AIR sub unit for details.

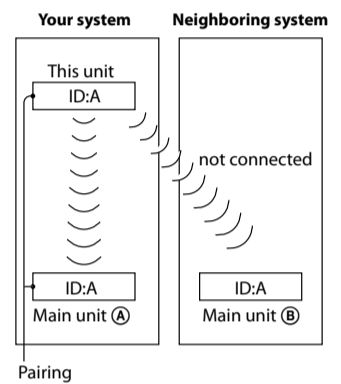
Identifying the unit with a specific S-AIR main unit (Pairing operation)

It is easy to set the same S-AIR ID for the unit and S-AIR main unit to establish the connection. However, if a neighbor has an S-AIR main unit with the same S-AIR ID as your S-AIR main unit, the neighboring system may receive and react to the command from this remote commander. To prevent this, you can identify the unit with a specific S-AIR main unit by performing the pairing operation.

Before pairing
The connection is established by the S-AIR ID (example).



After pairing
The connection is established between the paired main unit and this unit.



- 1 **Place the S-AIR main unit to be paired near this unit.**
Pair the main unit with the remote commander one at a time.

- 2 **Check the power of the S-AIR main unit to be connected is turned on.**

Note
Pressing I/⏻ (power) of this unit cannot turn on the S-AIR main unit. Use the button on the S-AIR main unit or infrared remote (if supplied) to turn on the main unit.

- 3 **Press any button on this unit.**
The unit turns on.

- 4 **Operate the S-AIR main unit to turn on the pairing function.**
For details on turning on the pairing function, refer to the Operating Instructions supplied with the S-AIR main unit.

- 5 **Unlock and open the battery compartment lid, and press the PAIRING button on the rear panel of the unit.**
When pairing is in progress, "PAIRING" blinks in the display. When completed, the display message changes to "PAIRING COMPLETE!" and it stays on for a few seconds. "PAIRING" appears in the display at the same time.

To cancel pairing
Change the S-AIR IDs of the unit and the S-AIR main unit to different S-AIR IDs.

To stop the pairing operation midway
Press the PAIRING button again.

Note
Be sure to pair the S-AIR main unit with the S-AIR sub unit. Refer to the Operating Instructions of the S-AIR sub unit for details.

Operating S-AIR sub unit with this unit

Turning on the sub unit

Using I/⏻ on this unit can turn on the power of selected sub unit.

- 1 **Aim the unit to an S-AIR sub unit you want to turn on.**
- 2 **Press I/⏻ to turn on the sub unit.**

Adjusting the volume

Using the VOLUME +/- can change the volume of a sub unit when it is turned on.

- 1 **Aim the unit to an S-AIR sub unit you want to change the volume.**
- 2 **Press VOLUME +/- to adjust the volume.**

Notes

- Even when you have performed the coupling operation with another sub unit, volume operation is effective whenever the remote sensor of the sub unit can receive the command.
- Even when you have set "REMOTE OFF" on your sub unit, volume operation is effective whenever the remote sensor of the sub unit can receive the command.

Operating S-AIR main unit with iPod dock such as the AIR-SA17Ti with this unit

Listening to sound with an S-AIR sub unit

1 Operate the main unit to output sound.

For details on setting up and operating the main unit, refer to the Operating Instructions supplied with the main unit.

2 Turn on the sub unit by pressing I/⏻ (power) of this unit.

3 Press VOLUME +/- to adjust the volume.

To identify the unit with a specific sub unit (Coupling operation)

If you have two or more sub units, you can listen to different sound sources on each sub unit by selecting the MULTI SOURCE mode.

In MULTI SOURCE mode, since each sub unit can receive different sound sources from the main unit, this unit may not display the correct sub unit sound source information.

To prevent this, differentiate such sub units from one another by identifying (coupling) with the unit.

1 Make sure the sub units and this unit have all established connection with the S-AIR main unit.

2 Aim the unit at one of the S-AIR sub units and press COUPLING.

3 Check that “CPL” blinks, and then stays on in the display to indicate coupling was successful.

If “CPL” does not turn on or an error message appears, see “Troubleshooting.”

Note

Use the main unit to set the S-AIR mode. Refer to the Operating Instructions of the main unit for details.

Performing play operations

You can also perform the following play operations with this unit.

To	Press
Start playback.	▶
Pause playback.	▶, or ■
Resume playback during pause.	▶ or
Select a track.	◀◀/▶▶
Find a point in a track.	Hold down ◀◀/▶▶ during playback, and release the button at the desired point
Select preset radio station.	PRESET +/-
Select the function.	S-AIR CH +/-

Viewing information of the S-AIR main unit with iPod dock such as the AIR-SA17Ti with this unit

Press DISPLAY.

Note that the title name is always displayed in the top line when the S-AIR connection is available. Each time you press the button, you can check the following information in the bottom line of the Information display lines.

Up to 64 characters of information can be displayed.

When the unit is connected

Information of S-AIR main unit with iPod dock such as the AIR-SA17Ti* → Model name of connected main unit and the model name of connected sub unit with coupling operation** → ...

* The following information can be viewed, for example, while playing the iPod.
–Track name
–Artist name
–Album name
–Elapsed playing time of track

When listening to the radio, the frequency is displayed.

** This information will return to “Title name” automatically in a few seconds.

Note

Depending on the iPod or iPhone, some information will not be displayed. For detail, refer to the Operating Instructions of the main unit.

Operating BD/DVD Home Theatre System main unit with this unit

Listening to sound with an S-AIR sub unit

1 Operate the main unit to output sound.

For details on setting up and operating, refer to the Operating Instructions supplied with the system.

2 Turn on the sub unit by pressing I/⏻ (power) of this unit.

3 Press VOLUME +/- to adjust the volume.

Performing play operations

You can also perform the following play operations with this unit.

To	Press
Start playback of a CD/DVD, etc.	▶
Stop playback of a CD/DVD, etc.	■
Pause playback of a CD/DVD, etc.	
Select a track, file or chapter of a CD/DVD, etc.	◀◀/▶▶
Select a preset station when listening to the radio.	PRESET +/-
Select the function.	S-AIR CH +/-

Troubleshooting

1 Make sure that the batteries are properly inserted.

2 Find your problem in the checklist below, and take the indicated corrective action.

If the issue persists, contact your nearest Sony dealer. When bringing this unit in for repairs, be sure to bring in the entire system (this unit, the S-AIR main unit and sub units). This product is a system product, and the entire system is needed to determine the location requiring repair.

The remote commander does not function.

- Remove any obstacles between the remote commander and the remote sensor on the unit, and position the unit away from fluorescent lights.
- Point the remote commander at the remote sensor on the unit.
- Move the remote commander closer to the unit.
- The batteries are running out. Replace all the batteries with new ones.

Connecting the unit and S-AIR main unit is not possible. (The “S-AIR” in the display flashes.)

- If you use another S-AIR main unit, place it more than 8 m (26 1/4 feet) away from the S-AIR main unit you are using.
- Confirm the S-AIR IDs of the unit and the S-AIR main unit.
- Place so that the unit and the S-AIR main unit are separated from other wireless devices.
- Stop using any other wireless devices.
- The connected S-AIR main unit is turned off. Make sure the power cord is connected and turn on the S-AIR main unit.
- Check the pairing setting.
- Place so that the unit and the S-AIR main unit are closer.
- Stop using any equipment that generates electromagnetic wave such as a microwave oven.
- Change the S-AIR ID settings of the unit and the S-AIR main unit.
- Turn off the unit and S-AIR main unit and then turn them on again.

The S-AIR channel fails to change.

- Check that the unit and the S-AIR main unit are connected properly.
- When using the Wireless Audio Transmitter for PC as the S-AIR main unit, sub unit operations will not be functional if S-AIR Cast is not booted or Standard Mode is selected.

“MULTI MODE INVALID” appears in the display when setting the Coupling operation.

- The main unit cannot be set to the MULTI MODE. When using the PARTY mode, the coupling operation setting is not necessary.

“COUPLING INVALID” appears in the display when setting the Coupling operation.

- The main unit cannot recognize the coupling operation. In this case, the sub unit cannot also be set on the Coupling operation.

Viewing information of DVD Home Theatre System with this unit

Press DISPLAY.

Note that some information cannot be displayed properly, depending on models.

Each time you press the button, you can check the following information in the bottom line of the Information display lines.

Up to 64 characters of information can be displayed.

When the unit is connected

Function of connected main unit* → Model name of connected main unit** → ...

* Depending on the model you are using, information such as following can be viewed.
–MAIN UNIT
–TUNER FM
–TUNER AM
–DMPORT
–AUDIO

** Displayed for a few seconds.

Operating AIR-PC10T S-AIR main unit with this unit

Listening to sound with an S-AIR sub unit

1 Operate the main unit to output sound using the Remote Mode or the Advanced Remote Mode.

For details on setting up and operating the AIR-PC10T, refer to the Operating Instructions supplied with the AIR-PC10T.

2 Turn on the sub unit by pressing I/⏻ (power) of this unit.

3 Press VOLUME +/- to adjust the volume.

Using on the Remote Mode

You can perform the following operations on the Remote Mode of the S-AIR Cast.

Key operations

To	Press
Start playback.	▶
Stop playback.	■
Pause playback.	
Resume playback during pause.	▶ or
Select playlist.*	S-AIR CH +/-
Select track.	◀◀/▶▶

* When using Windows Media Player, “Playlist” and “All Music” changes alternately.

Contents of the Information display lines

The title name is displayed in the top line.

Press DISPLAY and you can change information displayed in the bottom line as follows.

Title name (continued from the top line) → Album name → Artist name → Genre → Playlist name → Model name of connected main unit** → ...

Up to 64 characters of information can be displayed.

** This information returns to “Title name” automatically in a few seconds.

Tip

When you change playlist, the new playlist name will be displayed for some seconds.



- Press ◀◀/▶▶ to change the top line (the track is also changed.)
- Press DISPLAY to change the information that appears in the bottom line.

Using on the Advanced Remote Mode

You can perform the following operations on the Advanced Remote Mode of the S-AIR Cast.

Key operations

To	Press
Start playback.	▶
Stop playback.	■
Pause playback.	
Resume playback during pause.	▶ or
Change Channel Group.	DISPLAY
Select Channel.	S-AIR CH +/-
Select track.	◀◀/▶▶

Contents of the Information display lines

The title name is displayed in the top line.

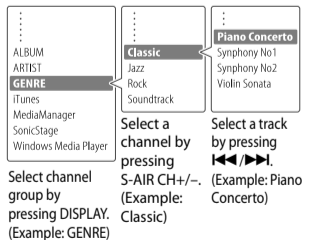
Press DISPLAY and you can change the Channel Group and information displayed in the bottom line together as follows.

Title name → Album name → Artist name → Genre → iTunes → MED MGR (Media Manager) → SonicStage → WMP (Windows Media Player) → Model name of connected main unit** → ...

Up to 64 characters of information can be displayed.

** This information returns to “Title name” automatically in a few seconds.

Examples of operating the S-AIR sub unit



- Press ◀◀/▶▶ to change the top line (the track is also changed.)
- Press DISPLAY or S-AIR CH +/- to change the bottom line (the channel group or channel is changed according to the key operation.)

Free Manuals Download Website

<http://myh66.com>

<http://usermanuals.us>

<http://www.somanuals.com>

<http://www.4manuals.cc>

<http://www.manual-lib.com>

<http://www.404manual.com>

<http://www.luxmanual.com>

<http://aubethermostatmanual.com>

Golf course search by state

<http://golfingnear.com>

Email search by domain

<http://emailbydomain.com>

Auto manuals search

<http://auto.somanuals.com>

TV manuals search

<http://tv.somanuals.com>