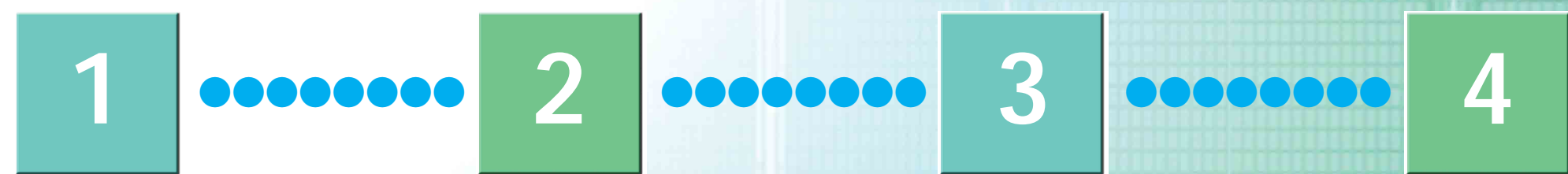


KDE-37XS955  
KDE-42XS955  
KDE-50XS955

# Quick Setup Guide

Please follow the steps to setup your TV:



1 Checking the Supplied Accessories

2 Connecting Your TV (See reverse side)

3 Running Initial Setup

4 Programming the Remote Control

If your product is not working properly **DO NOT RETURN TO THE STORE.** For service and technical assistance Call our Customer Information Service Center (Toll Free): 1-800-222-SONY (7669) for US residents. 1-877-899-SONY (7669) for Canadian residents.

Sony Corporation © 2004 Printed in Japan

## Making Video Connections

Your TV includes several types of video inputs. Use the inputs that are available on your components that provide the best video performance, as described in right.

Connector type	Best Video Performance
HDMI (High-Definition Multimedia Interface)	↑
Component video	
S VIDEO	
Composite video	
RF/Coaxial	

## Additional Connections

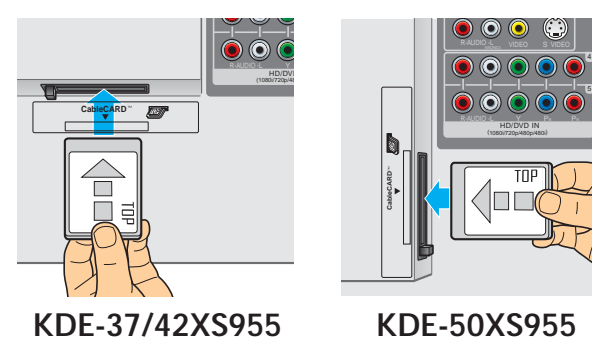
For best audio performance, connect your digital audio components using either digital optical or digital coaxial audio connections. Depending on which components are in your system, you may need to complete additional connections. For example, if you have a satellite receiver, you'll need to connect the satellite antenna. If you have an AV receiver, you'll need to connect speakers.

Note

The connection diagrams shown in the reverse side are recommendations only; other possible solutions may exist. Connections that include an AV receiver can often be very complex, so check your AV receiver's instruction manual for additional details.

## Activating CableCARD™ Service

Before you can use CableCARD™ service, you need to insert the CableCARD™ (supplied by your cable provider) and activate the service, as described in right.



Note

Inserting the CableCARD™ incorrectly may result in permanent damage to the card and the TV.

# 4 Programming the Remote Control

The remote control is preset to operate Sony brand video equipment.

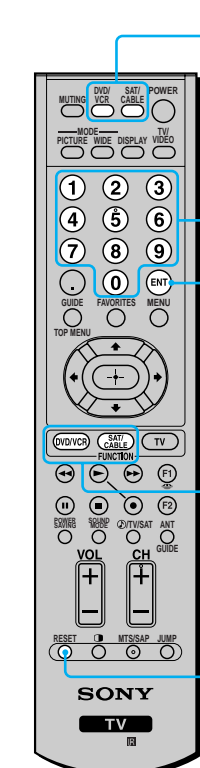
Sony Equipment	Programmable Code Number
DVD/VCR	601 (Sony Dream System)
SAT/Cable	801 (Sony Satellite Receiver)

If you have video equipment other than Sony brand that you want to control with the TV's remote control, use the following procedures to program the remote control.

Note

The equipment must have infrared (IR) remote capability in order to be used with this remote control.

Using the code list below, find the three-digit code number for the manufacturer of your equipment. (If more than one code number is listed, use the number listed first.)



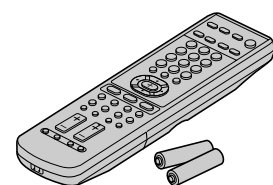
- Press the DVD/VCR (FUNCTION) and RESET buttons simultaneously, or press the SAT/CABLE (FUNCTION) and RESET buttons simultaneously. DVD/VCR and SAT/CABLE buttons flash.
- Press the function button you want to program. **To program a cable box or a satellite receiver** Press SAT/CABLE (FUNCTION). **To program video equipment** Press DVD/VCR (FUNCTION).
- Enter the three-digit manufacturer's code number using the 0-9 buttons.
- Press ENT (enter).
- To check if the code number works, aim the TV's remote control at the equipment and press DVD/VCR and/or SAT/CABLE (POWER) that corresponds with that equipment. If it responds, the programming is completed. If not, try using the other codes listed for that manufacturer.

Tips

- If more than one code number is listed, try entering them one by one until you come to the correct code for your equipment.
- If you enter a new code number, the code number you previously entered at that setting is erased.

## 1 Checking the Supplied Accessories

Remote control (RM-Y1004) (1) and size AA batteries (2)



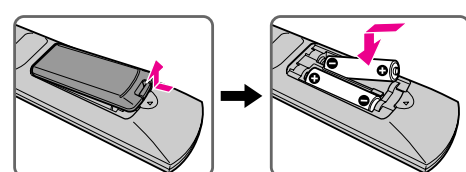
AC power cord (1)



- AC plug holder (1)
- Cable band (1)
- Cable band screw (1)
- AC cord clamp (1)
- Cleaning cloth (1)
- Operating Instructions (1)
- Quick Setup Guide (1)
- Warranty Card (1)

## Inserting Batteries into the Remote Control

Insert two size AA batteries (supplied) by matching the + and - on the batteries to the diagram inside the remote control's battery compartment.



## 2 Connecting Your TV

Review the following chart to determine which diagram to use to connect the components in your system:

For these components	See reverse side
Cable/Antenna OR Satellite Receiver	A
Cable/Antenna OR Satellite Receiver	B
Cable/Antenna OR Satellite Receiver	C
Cable/Antenna OR Satellite Receiver	D
Cable/Antenna OR Satellite Receiver	E
Cable/Antenna OR Satellite Receiver	F

- See the "Cables Required" chart that appears with the diagram to determine which cables you'll need. You may need to purchase extra accessories, such as cables and splitters, depending on the components you plan to connect.
- Turn off and unplug all components before making connections.
- If you are connecting a digital cable box, you'll need a special bi-directional splitter that's compatible with your cable box. Contact your cable provider for details.

## 3 Running Initial Setup

- Press POWER to turn on the TV. The Initial Setup screen appears.
- Press ↑ or ↓ to select the on-screen display language. Then press (+). The message "Start auto program now?" appears.
- Press ↑ or ↓ to select "Yes", then press (+).

Auto Program automatically creates a list of receivable channels. When finished, the lowest numbered channel is displayed.

To run Auto Program again at a later time

- Use the Auto Program feature in the operating instructions.

To add individual digital channels

- Use the Digital Channels feature in the operating instructions.

Note

Auto Program may take up to 50 minutes or more to complete. A progress bar is displayed while the channel list is being created.

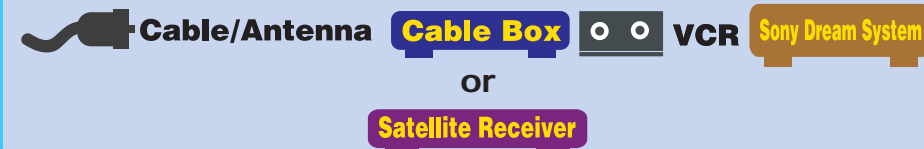
### Manufacturer's Codes

Manufacturer	Code	Manufacturer	Code
Aiwa*	338, 344	Scott	312, 313, 321, 335, 323, 324, 325, 326
Audio Dynamic	314, 337	Sharp	327, 328
Broksonic	319, 317	Signature 2000 (M.Ward)	338, 327
Sony	751	SV 2000	338
General Electric	755	Sylvania	308, 309, 338, 310
Hitachi	758	Craig	302, 332
JVC	756	Curtis Mathes	304, 338, 309
Magnavox	757	Daewoo	341, 312, 309
Mitsubishi	761	DBX	314, 336, 337
Panasonic	753	Dimensia	304
Pioneer	752	Emerson	319, 320, 316, 317, 318, 341
RCA/PROSCAN	755	Fisher	330, 335
Samsung	758	Funai	338
Toshiba	754	General Electric	329, 304, 309
Zenith	760	Go Video	322, 339, 340
		Goldstar	332
		Hitachi	306, 304, 305, 338
		Instant Replay	309, 308
		JC Penney	309, 305, 304, 330, 314, 336, 337
		Sony	765
		Panasonic	766
		JVC	314, 336, 337, 345, 346, 347
		Kenwood	314, 336, 332, 337
		LC	332
		LXI (SEARS)	332, 305, 330, 335, 338
		Magnavox	308, 309, 310
		Marantz	314, 336, 337
		Marta	332
		JVC	775
		Broksonic	776
		Panasonic	777
		Mitsubishi/MGA	323, 324, 325, 326
		Multitech	325, 338, 321
		NEC	314, 336, 337
		Olympic	309, 308
		Optimus	327
		Orion	317
		Panasonic	308, 309, 306, 307
		Pentax	305, 304
		Philco	308, 309
		Phillips	308, 309, 310
		Pioneer	308
		Quasar	308, 309, 306
		RCA/PROSCAN	304, 305, 308, 309, 311, 312, 313, 310, 329
		Realistic	309, 330, 328, 335, 324, 338
		Sansui	314
		Samsung	322, 313, 321
		Sanyo	330, 335
		Admiral (M. Ward)	327
		Hamlin/Regal	222, 223, 224, 225, 226
		Jerrold, G.I.	201, 202, 203, 204, 205, 206, 207, 208, 218, 222
		Oak	227, 228, 229
		Panasonic	219, 220, 221
		Pioneer	214, 215
		Scientific Atlanta	209, 210, 211
		Tocom	216, 217
		Zenith	212, 213
		Yamaha	314, 330, 336, 337
		Zenith	331
		Wards	327, 328, 335, 331, 332
		Techinics	309, 308
		Toshiba	312, 311
		Taisho	332
		Tatung	314, 336, 337
		DBX	314, 336, 337
		Funai	338
		General Electric	329, 304, 309
		Go Video	322, 339, 340
		Goldstar	332
		Hitachi	306, 304, 305, 338
		Instant Replay	309, 308
		JC Penney	309, 305, 304, 330, 314, 336, 337
		Sony	765
		Panasonic	766
		JVC	314, 336, 337, 345, 346, 347
		Kenwood	314, 336, 332, 337
		LC	332
		LXI (SEARS)	332, 305, 330, 335, 338
		Magnavox	308, 309, 310
		Marantz	314, 336, 337
		Marta	332
		JVC	775
		Broksonic	776
		Panasonic	777
		Mitsubishi/MGA	323, 324, 325, 326
		Multitech	325, 338, 321
		NEC	314, 336, 337
		Olympic	309, 308
		Optimus	327
		Orion	317
		Panasonic	308, 309, 306, 307
		Pentax	305, 304
		Philco	308, 309
		Phillips	308, 309, 310
		Pioneer	308
		Quasar	308, 309, 306
		RCA/PROSCAN	304, 305, 308, 309, 311, 312, 313, 310, 329
		Realistic	309, 330, 328, 335, 324, 338
		Sansui	314
		Samsung	322, 313, 321
		Sanyo	330, 335
		Admiral (M. Ward)	327

\* If an Aiwa VCR does not work even though you enter the code for Aiwa, enter the code for Sony instead.

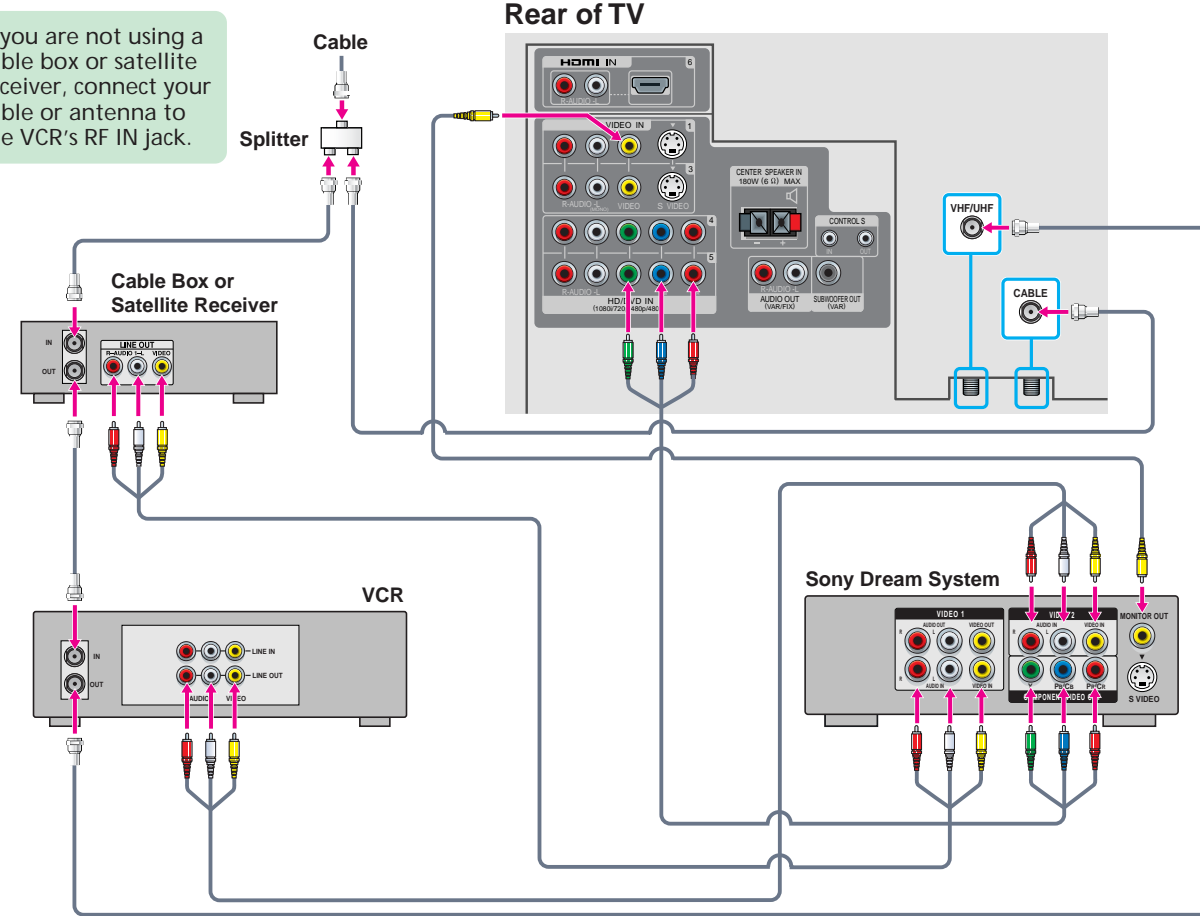
**A**

Use this diagram if you have;

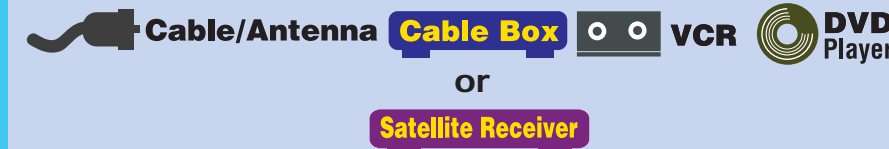


Cables Required	
Splitter	1
Coaxial	5
Composite	2
Composite	1 (without Audio)
Component	1

If you are not using a cable box or satellite receiver, connect your cable or antenna to the VCR's RF IN jack.

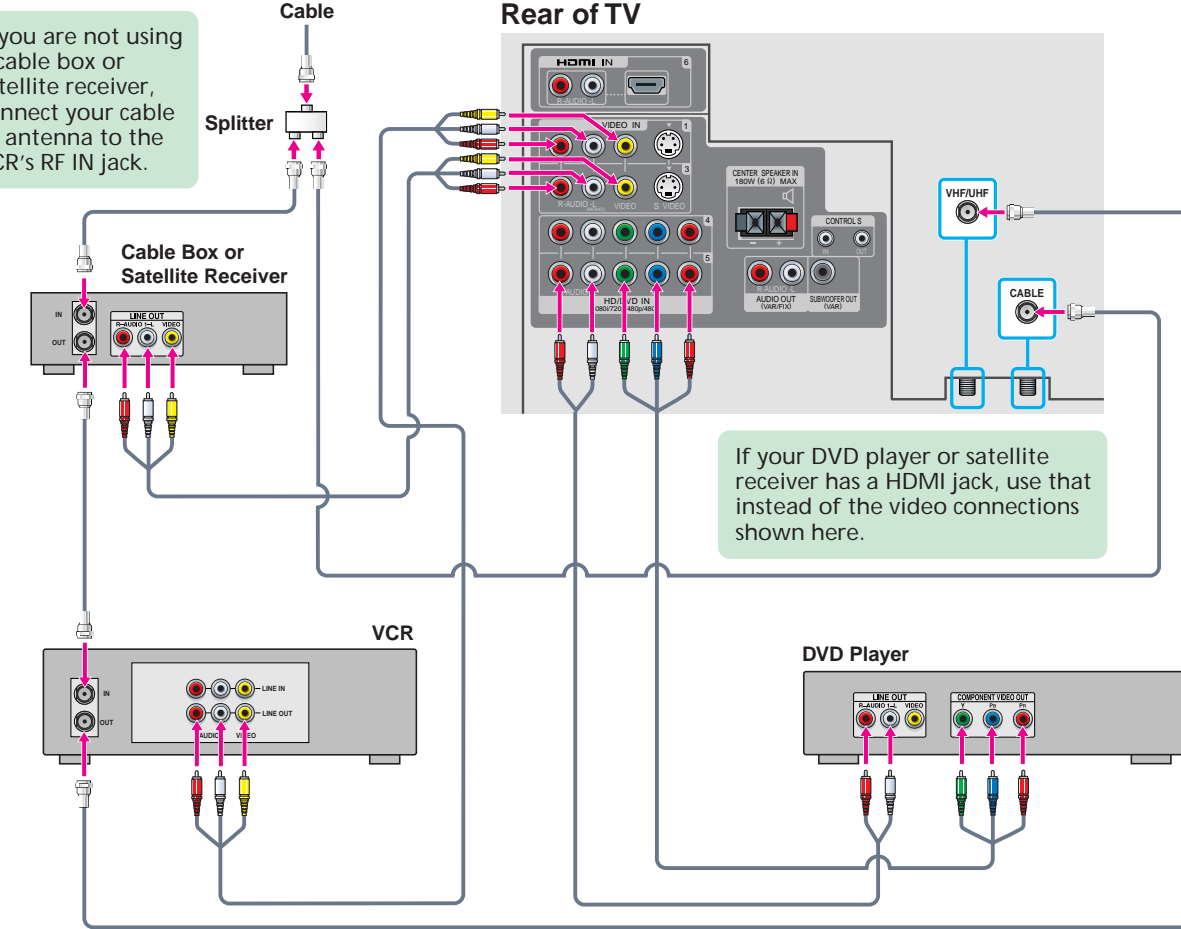
**B**

Use this diagram if you have;



Cables Required	
Splitter	1
Coaxial	5
Composite	2
Component	1
Audio	1

If you are not using a cable box or satellite receiver, connect your cable or antenna to the VCR's RF IN jack.



If your DVD player or satellite receiver has a HDMI jack, use that instead of the video connections shown here.

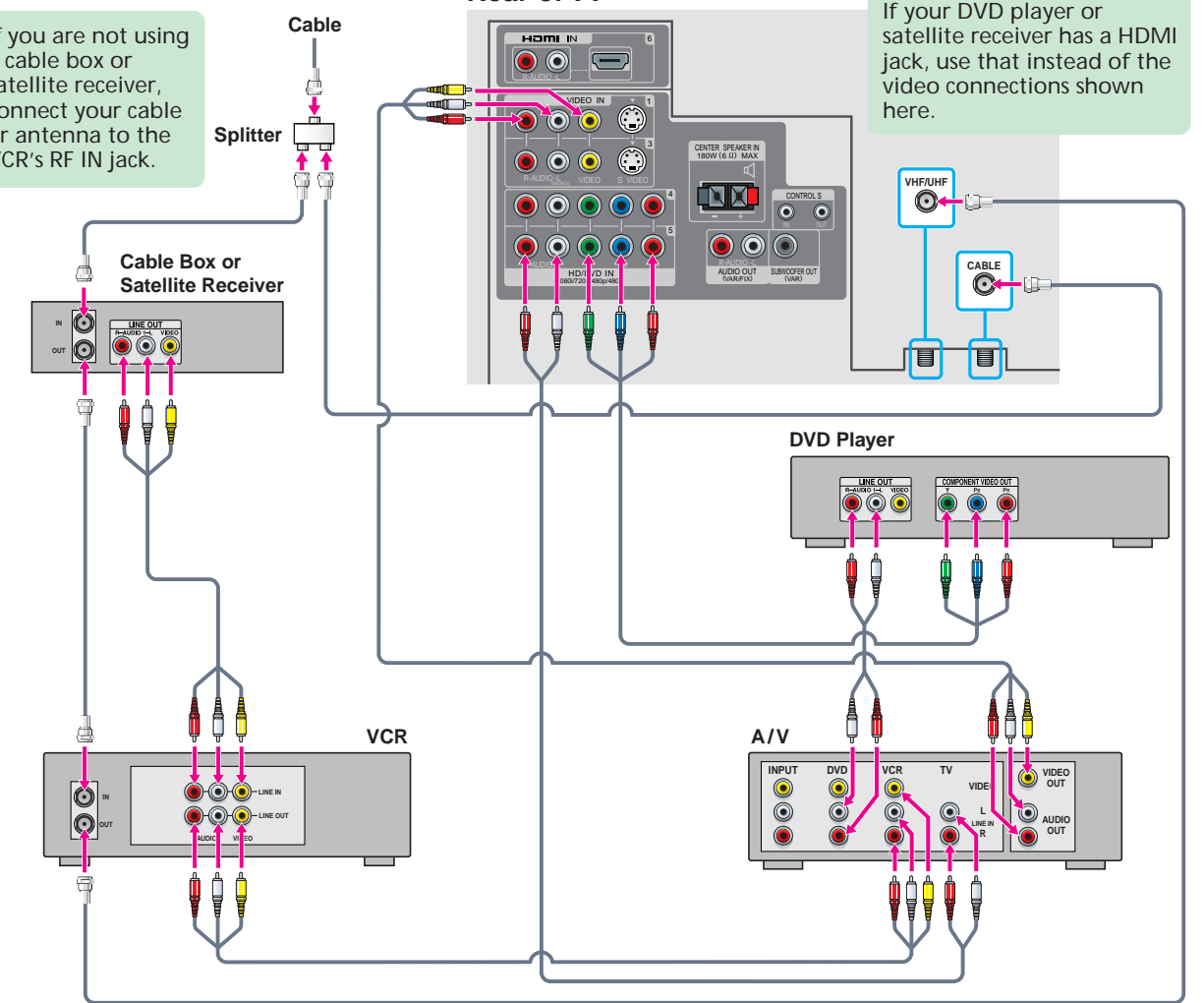
**C**

Use this diagram if you have;



Cables Required	
Splitter	1
Coaxial	5
Composite	3
Component	1
Audio	2

If you are not using a cable box or satellite receiver, connect your cable or antenna to the VCR's RF IN jack.



If your DVD player or satellite receiver has a HDMI jack, use that instead of the video connections shown here.

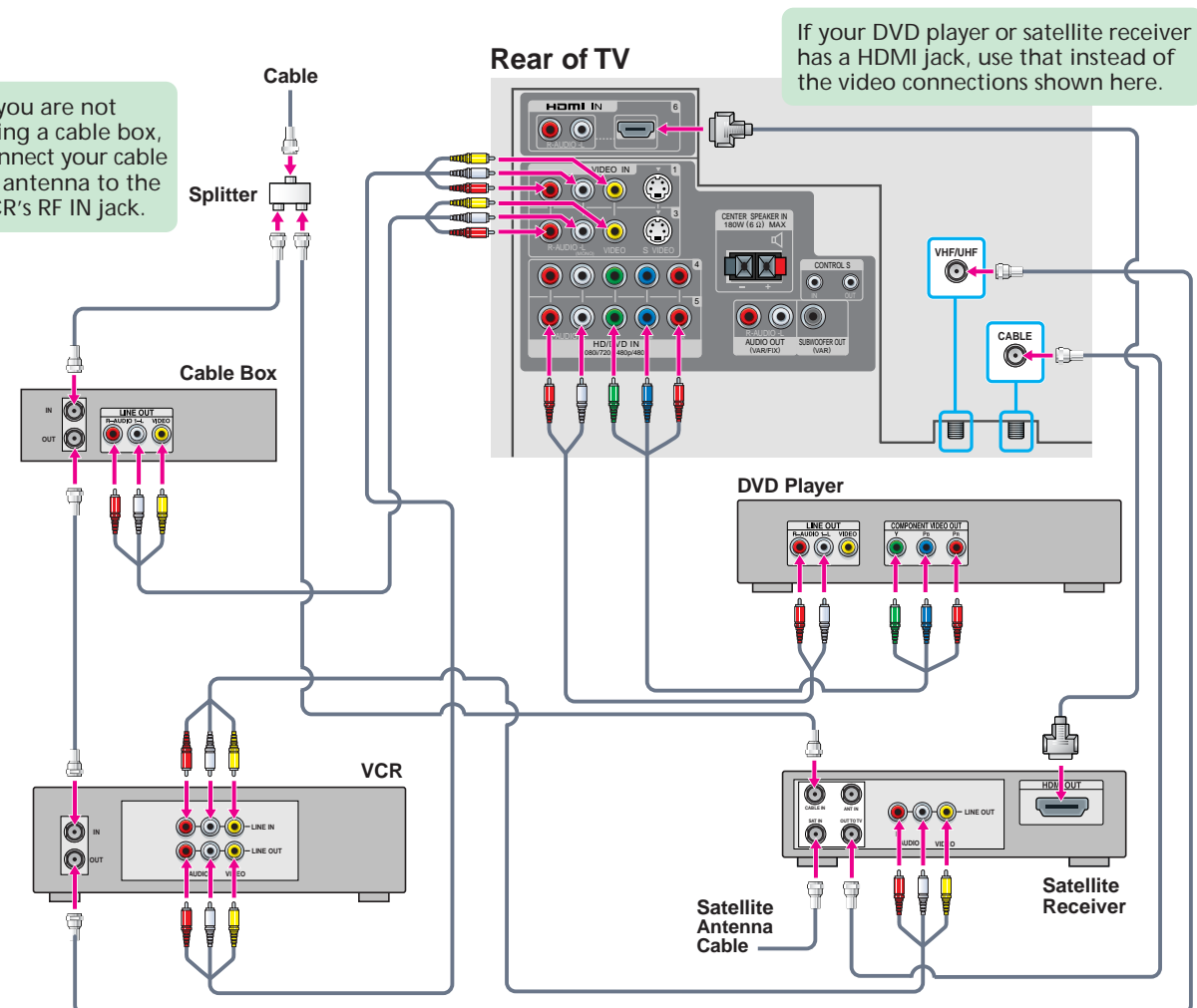
**D**

Use this diagram if you have;



Cables Required	
Splitter	1
Coaxial	7
Composite	3
Component	1
HDMI	1
Audio	1

If you are not using a cable box, connect your cable or antenna to the VCR's RF IN jack.



If your DVD player or satellite receiver has a HDMI jack, use that instead of the video connections shown here.

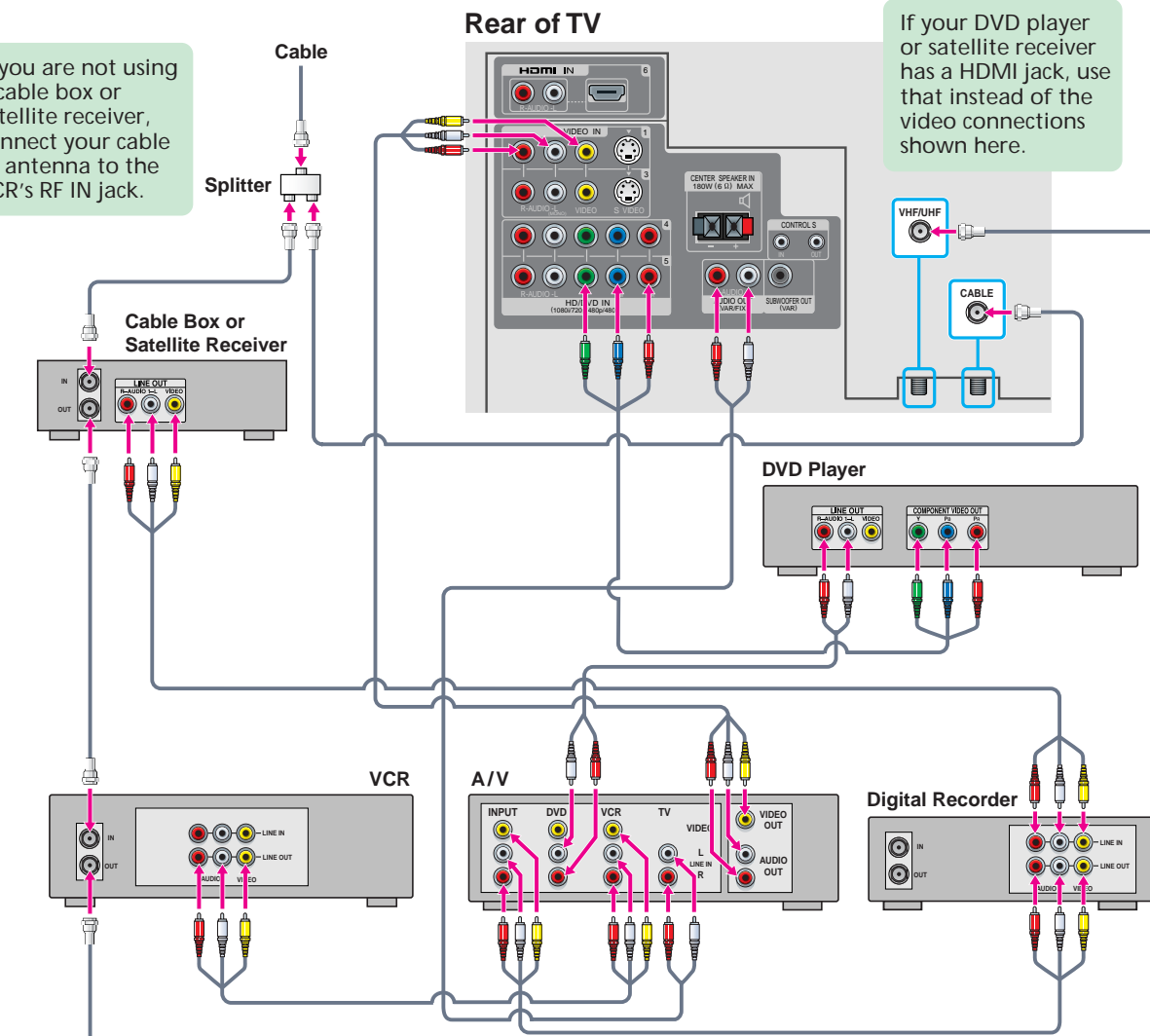
**E**

Use this diagram if you have;



Cables Required	
Splitter	1
Coaxial	5
Composite	4
Component	1
Audio	2

If you are not using a cable box or satellite receiver, connect your cable or antenna to the VCR's RF IN jack.



If your DVD player or satellite receiver has a HDMI jack, use that instead of the video connections shown here.

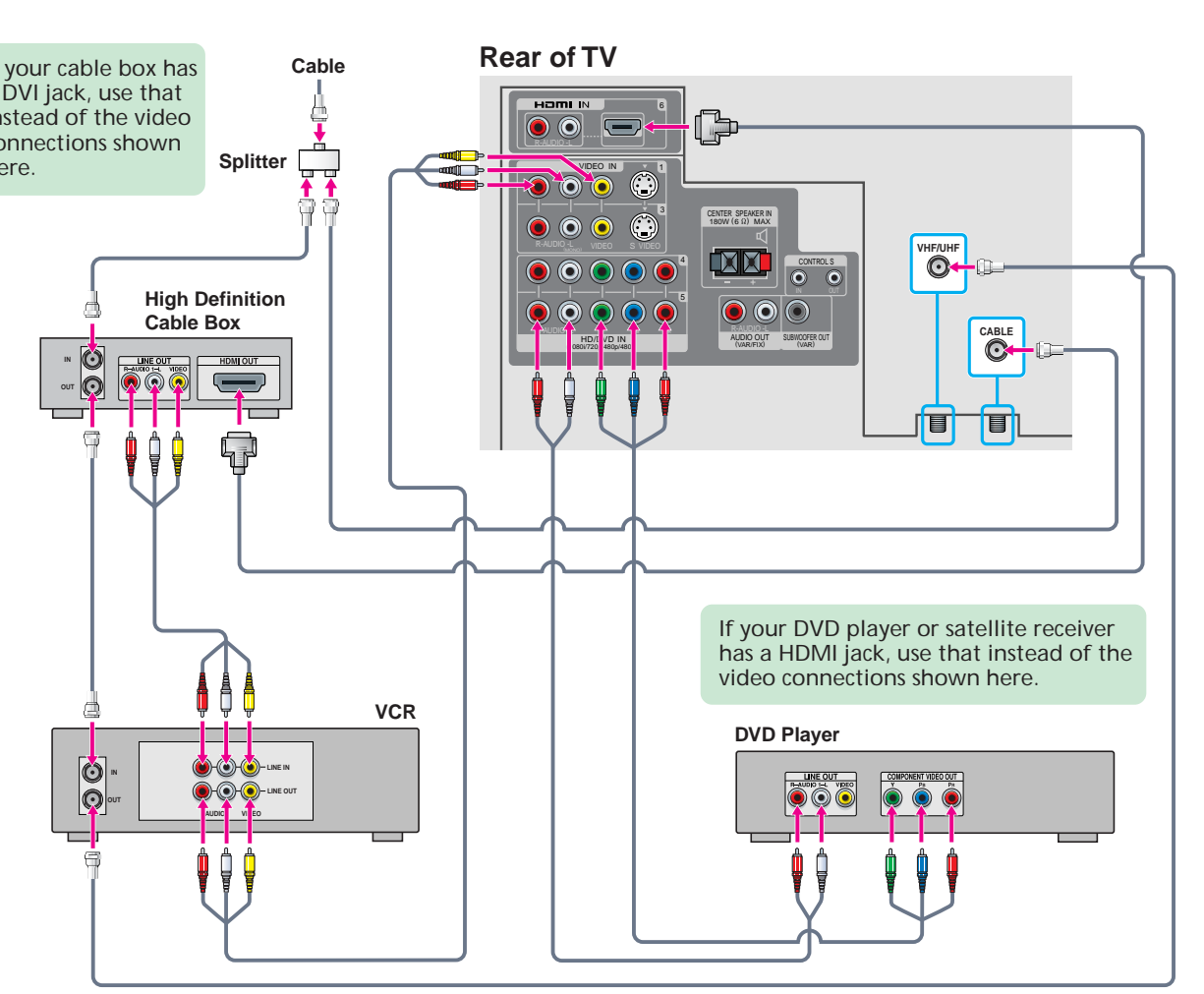
**F**

Use this diagram if you have;



Cables Required	
Splitter	1
Coaxial	5
Composite	2
Component	1
HDMI	1
Audio	1

If your cable box has a DVI jack, use that instead of the video connections shown here.



If your DVD player or satellite receiver has a HDMI jack, use that instead of the video connections shown here.

## Free Manuals Download Website

<http://myh66.com>

<http://usermanuals.us>

<http://www.somanuals.com>

<http://www.4manuals.cc>

<http://www.manual-lib.com>

<http://www.404manual.com>

<http://www.luxmanual.com>

<http://aubethermostatmanual.com>

Golf course search by state

<http://golfingnear.com>

Email search by domain

<http://emailbydomain.com>

Auto manuals search

<http://auto.somanuals.com>

TV manuals search

<http://tv.somanuals.com>