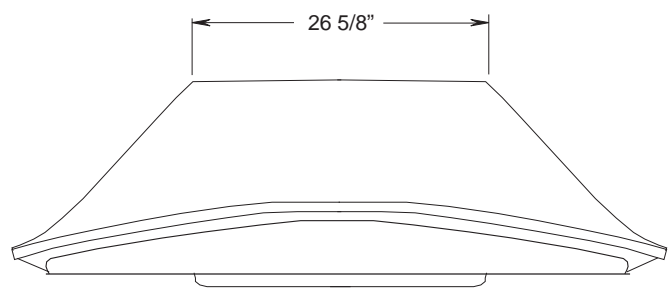


SONY
KDF-60XBR950

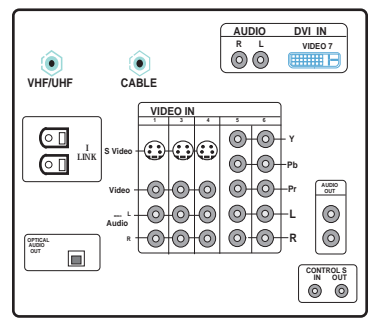
DESCRIPTION: Grand Wega POWER
 DIMENSIONS 16:9 Rear PJTV REQUIREMENTS: 120VAC
 (WHD): 63 1/2" x 39 3/4" x 23 3/4" POWER 60 Hz
 WEIGHT: 173 lbs CONSUMPTION: 250w
<1w(stby)

REMOTE COMMANDER RM-Y913
 REVISED 11/13/03

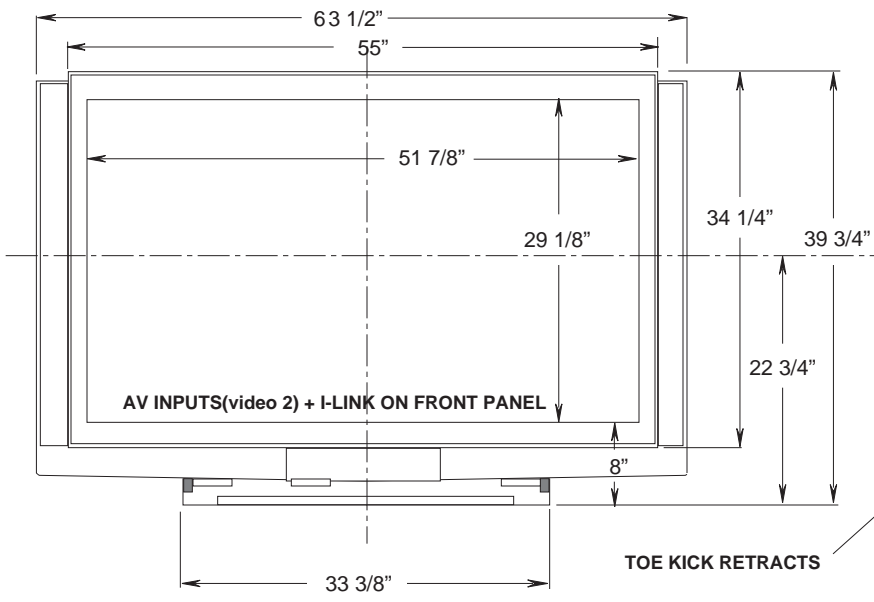
TOP VIEW



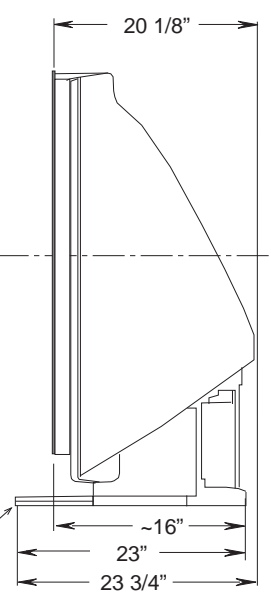
JACK PACK



FRONT VIEW



SIDE VIEW



TOE KICK RETRACTS

OPTIONAL STAND SU-GW3
REPLACEMENT LAMP XL-2100U

NOTE:
 WHERE THERE ARE CLOSE TOLERANCES INVOLVED IN CABINET BUILDING OR APPLICATIONS WHICH REQUIRE A GREAT DEGREE OF PRECISION WE RECOMMEND THAT THE PRODUCT ITSELF BE USED TO MAKE THE ACTUAL MEASUREMENTS. SONY WILL NOT BE RESPONSIBLE FOR INACCURACIES IN THE DESIGN OR MANUFACTURE OF ENCLOSURES .

Free Manuals Download Website

<http://myh66.com>

<http://usermanuals.us>

<http://www.somanuals.com>

<http://www.4manuals.cc>

<http://www.manual-lib.com>

<http://www.404manual.com>

<http://www.luxmanual.com>

<http://aubethermostatmanual.com>

Golf course search by state

<http://golfingnear.com>

Email search by domain

<http://emailbydomain.com>

Auto manuals search

<http://auto.somanuals.com>

TV manuals search

<http://tv.somanuals.com>