



KLV-23S200A
KLV-26S200A
KLV-32S200A
KLV-40S200A

Quick Setup Guide

For further information, see the operating instruction supplied with the TV. Please retain this guide for your future reference.

Upgrade your signal to high-definition programming to view the same picture quality at home as you've seen in the store. Contact your cable or satellite provider for upgrading to high-definition TV for stunning detail and richer sound.

For Your Convenience

Please contact Sony directly if you have questions on the use of your television after reading your Quick Setup Guide and manual.

Contact Sony Customer Support at:

<http://www.sony.com/tvsupport>

or to speak with a support representative:

Canada
1-877-899-SONY (7669)
8:00 AM - 6:00 PM (Eastern)
8:00 AM - 5:00 PM (Western)

Please Do Not Return the Product to the Store

Sony Corporation © 2006 Printed in Mexico

Making Audio/Video Connections

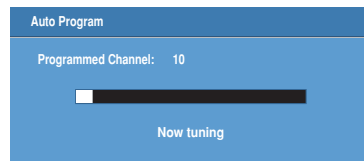
Your new TV includes various types of video inputs and analog audio jacks. Use the outputs/inputs that are available on your components that provide the best audio/video performances:

Connector type	Best Audio/Video Performance	Connector type
Analog Audio	↑	HDMI (High-Definition Multimedia Interface)
		DVI (Digital Visual Interface) Will require an adapter to connect to this TV.
		Component video
		S VIDEO
		Composite video

- The connection diagrams shown below and on the reverse side are recommendations only; other possible solutions may exist. Connections that include an AV receiver can often be complex, so check your AV receiver's instruction manual for additional details.
- See the "Cables Required" chart that appears with the diagram to determine which cables you'll need. Depending on the components you plan to connect, you may need to purchase extra cables.

Running Initial Setup

- Press **POWER** to turn on the TV. The Initial Setup screen appears.
- Press **↑/↓** to highlight the on-screen display language. Then press **(+)**. The message "First please connect cable/antenna. Do you want to start Auto Program?" appears.
- Press **←/→** to highlight "OK" then press **(+)**.
- When Initial Setup is complete, the TV will display the Channel Setup menu.



To run Auto Program again at a later time

Refer to the manual on "Initial Setup" and "Auto Program" sections.

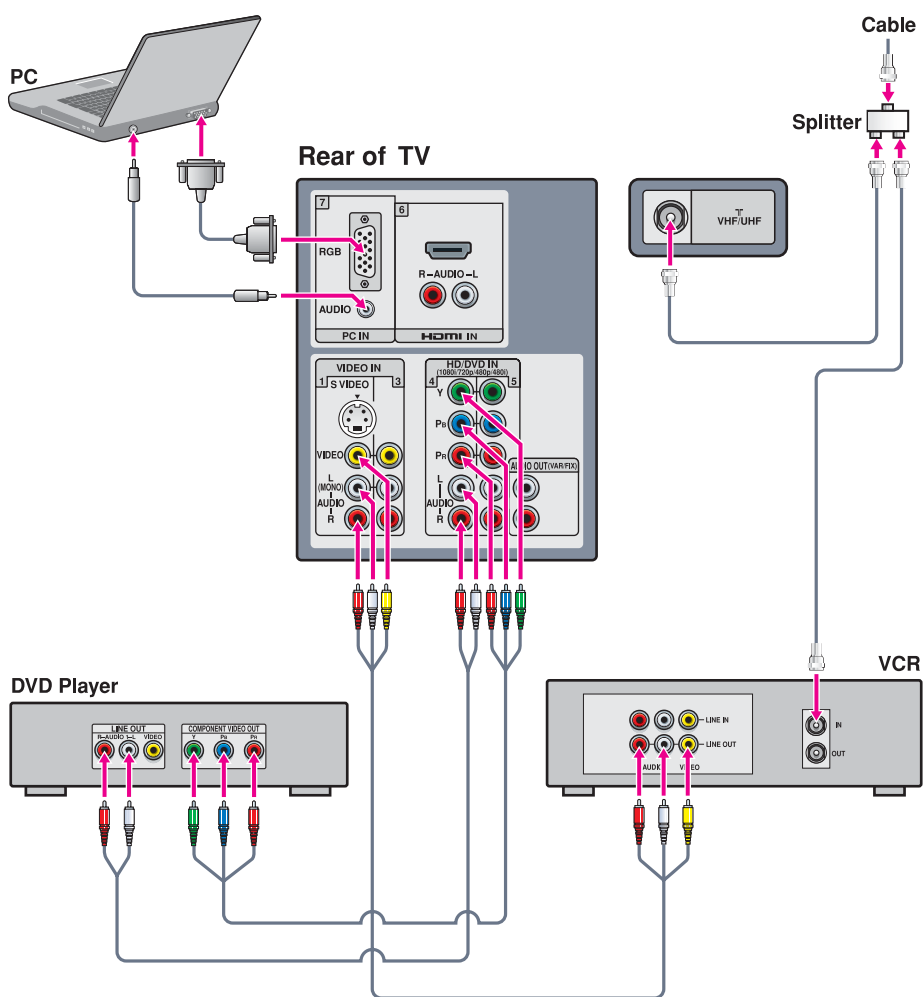
A

Use this diagram if you have:



Cables Required	
Splitter	1
Coaxial	3
Composite	1
Component	1
Audio	2
HD15-HD15	1

If your DVD player has an HDMI jack, use that instead of the video connections shown here.



B

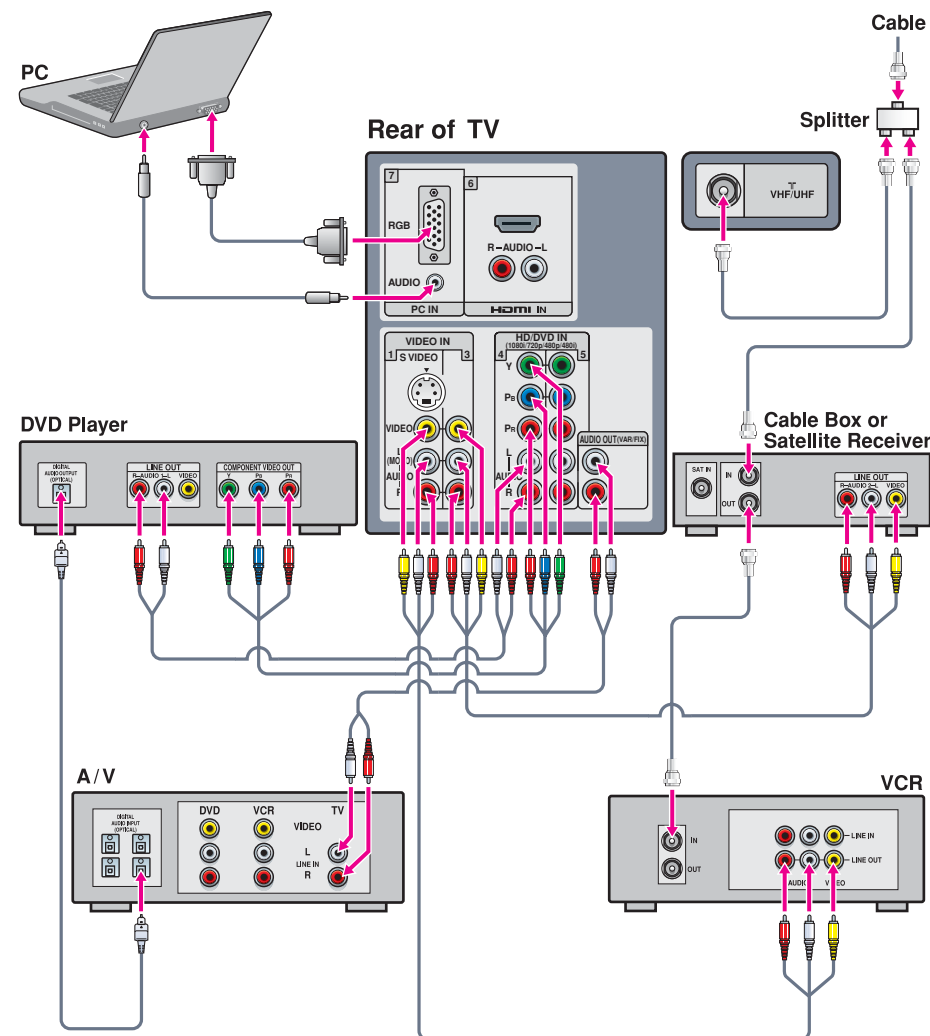
Use this diagram if you have:



Cables Required	
Splitter	1
Coaxial	4
Composite	2
Component	1
Audio	3
HD15-HD15	1
Optical Audio	1

If your DVD player or satellite receiver has an HDMI jack, use that instead of the video connections shown here.

If you are not using a cable box or satellite receiver, connect your cable to the VCR's RF IN jack.



C

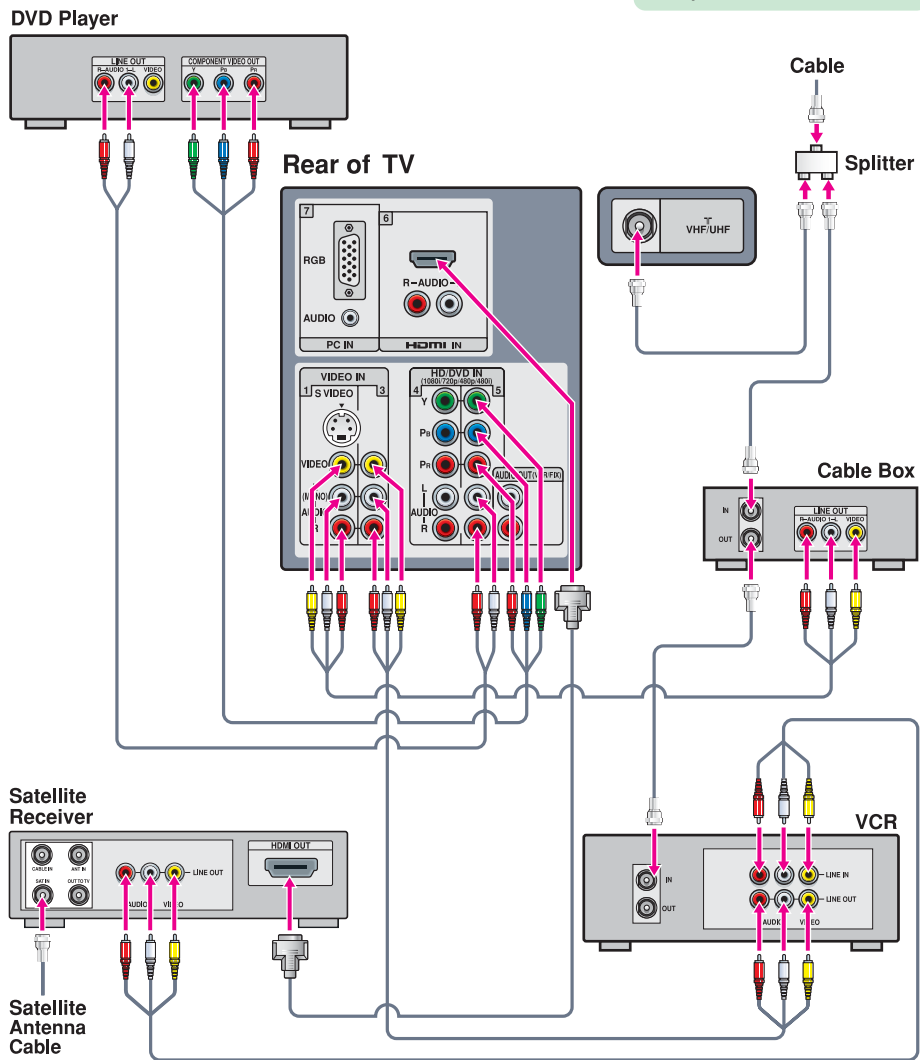
Use this diagram if you have; Cable/Antenna

Cable Box VCR DVD Player Satellite Receiver

Cables Required	
Splitter	1
Coaxial	5
Composite	3
Component	1
Audio	1
HDMI	1

If your DVD player or satellite receiver has an HDMI jack, use that instead of the component/composite video connections.

If you are not using a cable box, connect your cable to the VCR's RF IN jack.

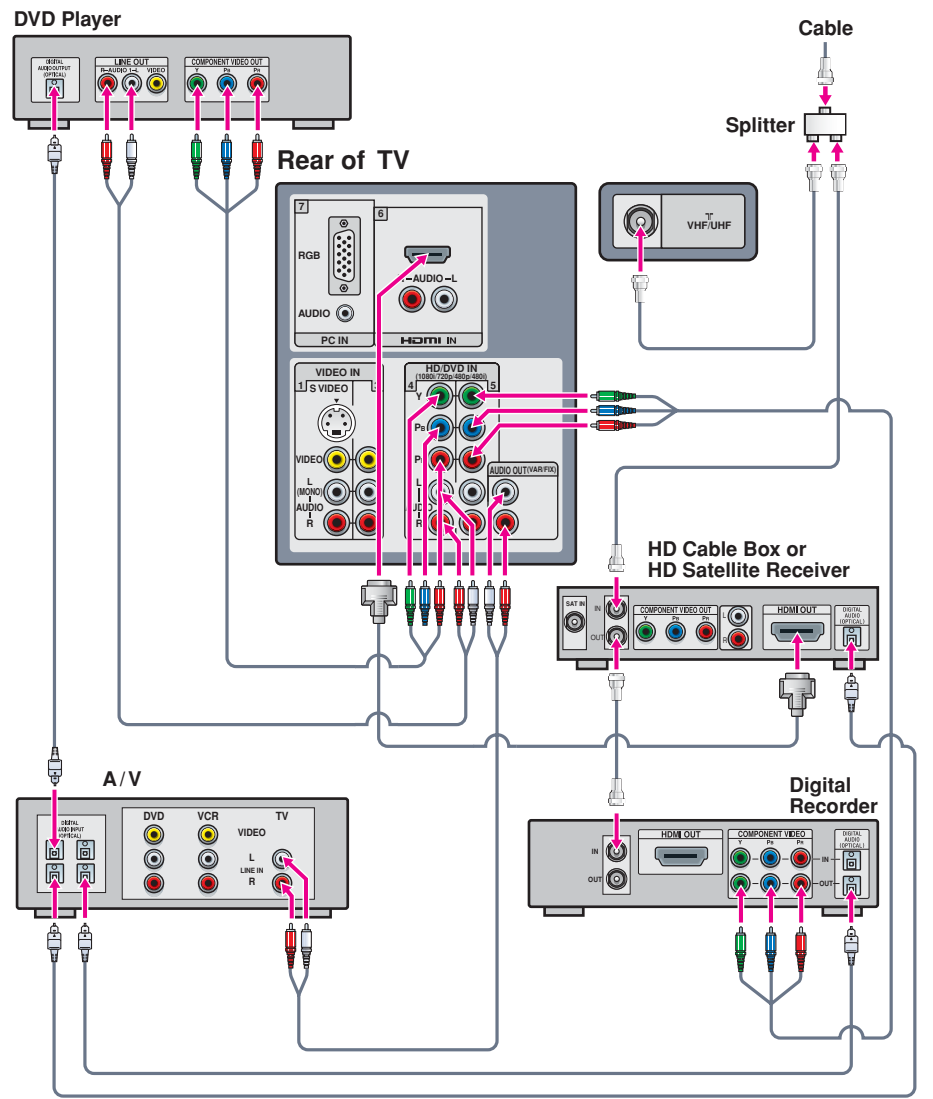


D

Use this diagram if you have; Cable/Antenna

HD Cable Box DVD Player AV Receiver Digital Recorder
or
 HD Sat Receiver

Cables Required	
Splitter	1
Coaxial	4
Component	2
Audio	2
HDMI	1
Optical Audio	3



E

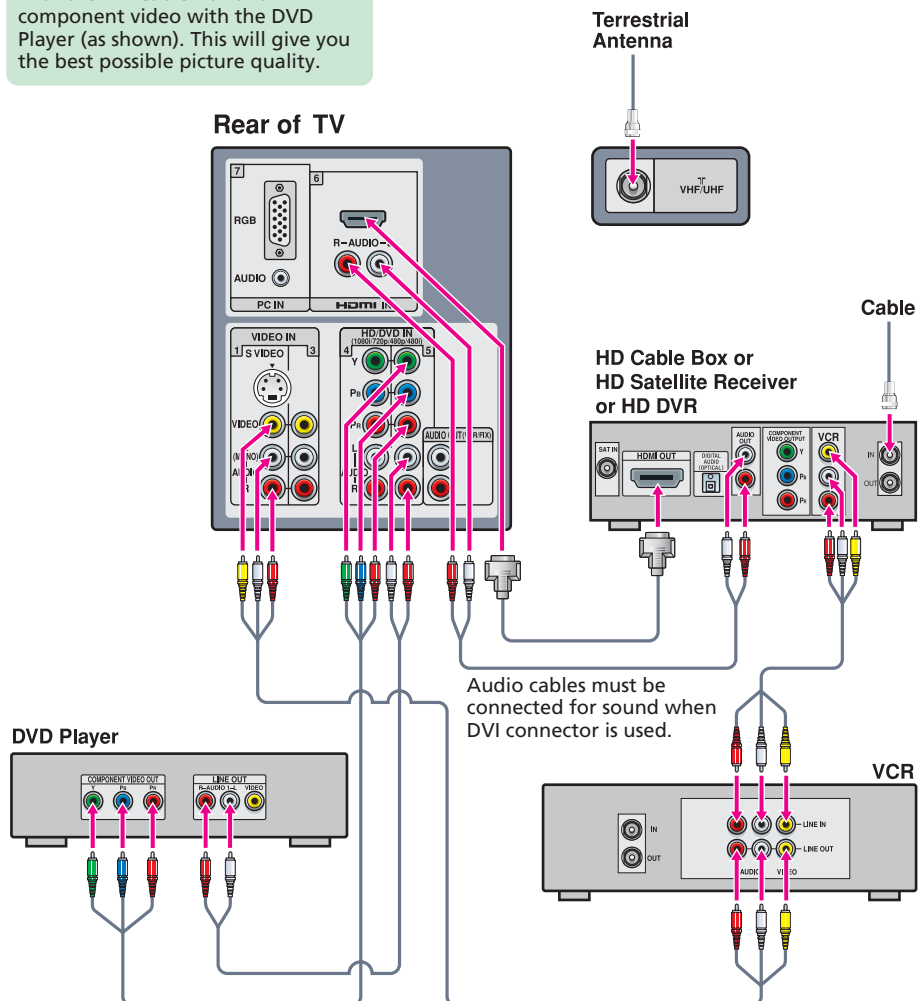
Use this diagram if you have;

Cable/Antenna HD Cable Box VCR DVD Player
or
 HD Sat Receiver or HD DVR

Cables Required	
Coaxial	2
Composite	2
Component	1
Audio	2
HDMI	1

If your HD Cable Box and DVD player have HDMI jacks, use HDMI with the HD Cable Box and component video with the DVD Player (as shown). This will give you the best possible picture quality.

For best results, check the cable box's manual for proper setup of the HD output.



Audio cables must be connected for sound when DVI connector is used.

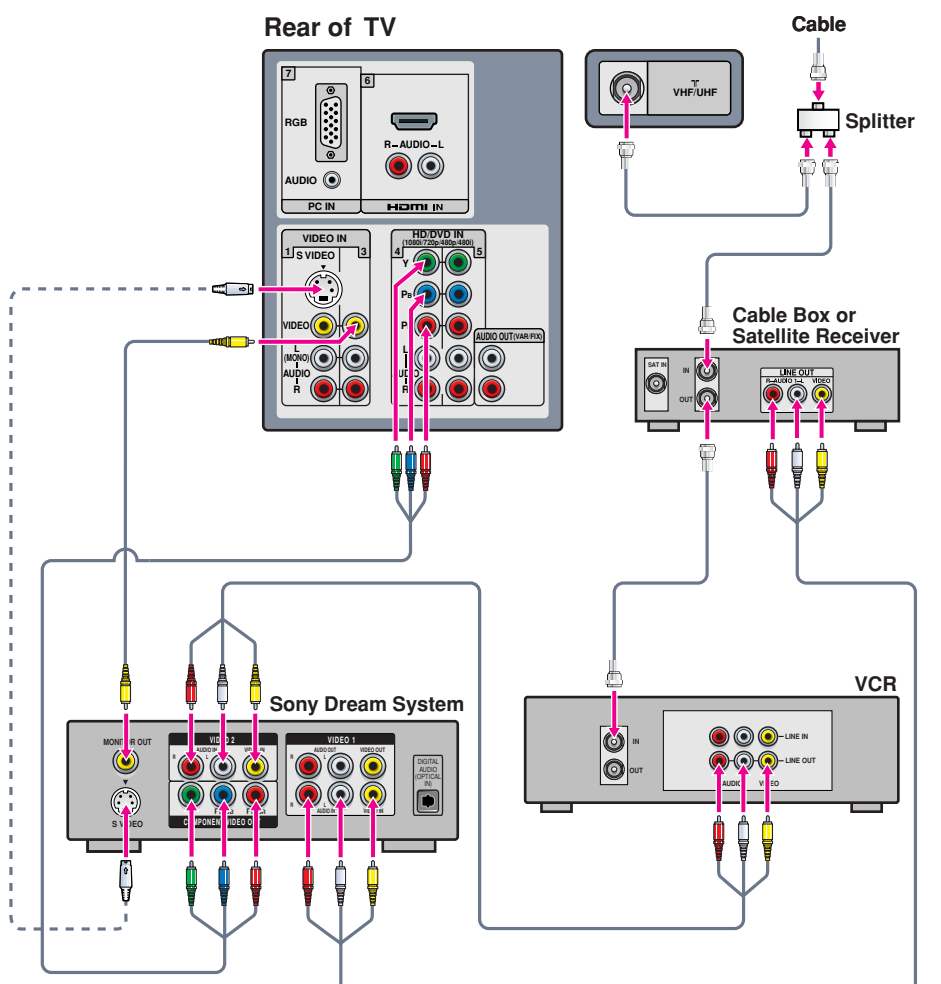
F

Use this diagram if you have;

Cable/Antenna Cable Box VCR Sony Dream System
or
 Satellite Receiver

Cables Required	
Splitter	1
Coaxial	4
Composite	2
Component	1
Video	1

If you are not using a cable box or satellite receiver, connect the cable to the VCR's RF IN jack.



Free Manuals Download Website

<http://myh66.com>

<http://usermanuals.us>

<http://www.somanuals.com>

<http://www.4manuals.cc>

<http://www.manual-lib.com>

<http://www.404manual.com>

<http://www.luxmanual.com>

<http://aubethermostatmanual.com>

Golf course search by state

<http://golfingnear.com>

Email search by domain

<http://emailbydomain.com>

Auto manuals search

<http://auto.somanuals.com>

TV manuals search

<http://tv.somanuals.com>