

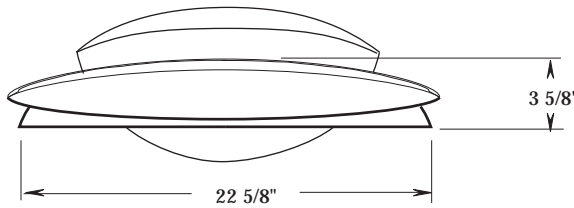
SONY

KLV-23HR1

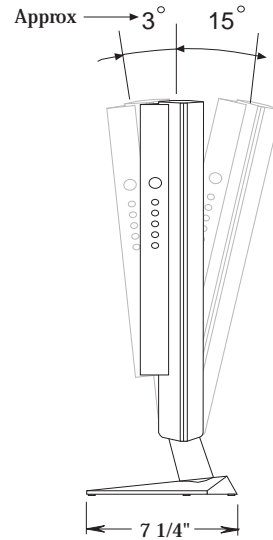
DESCRIPTION: LCD TV	POWER REQUIREMENTS: 120V AC
DIMENSIONS (WHD): 23 3/4" x 19 1/2" x 7 1/4"*	60Hz
WEIGHT: 19 lbs 6 oz	CONSUMPTION: 88 W
	1.2 (stby)

RM-928Y REMOTE CONTROL

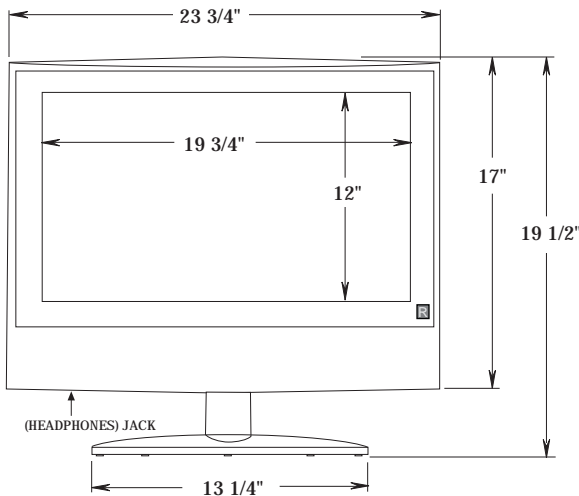
TOP VIEW



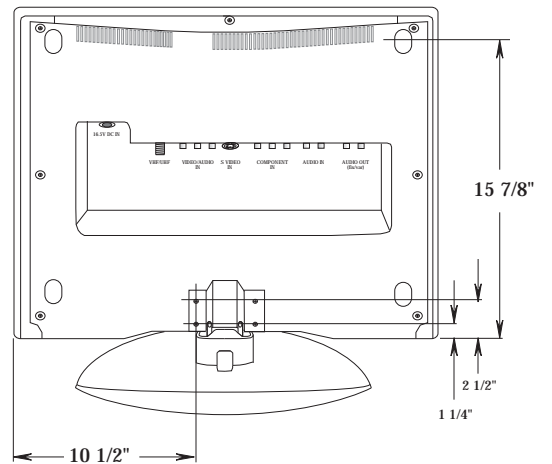
SIDE VIEW



FRONT VIEW



BACK VIEW



OPTIONAL WALL MOUNT SU-W200

* INCLUDES SUPPLIED STAND

NOTE:

WHERE THERE ARE CLOSE TOLERANCES INVOLVED IN CABINET BUILDING OR APPLICATIONS WHICH REQUIRE A GREAT DEGREE OF PRECISION WE RECOMMEND THAT THE PRODUCT ITSELF BE USED TO MAKE THE ACTUAL MEASUREMENTS. SONY WILL NOT BE RESPONSIBLE FOR INACCURACIES IN THE DESIGN OR MANUFACTURE OF ENCLOSURES .

Free Manuals Download Website

<http://myh66.com>

<http://usermanuals.us>

<http://www.somanuals.com>

<http://www.4manuals.cc>

<http://www.manual-lib.com>

<http://www.404manual.com>

<http://www.luxmanual.com>

<http://aubethermostatmanual.com>

Golf course search by state

<http://golfingnear.com>

Email search by domain

<http://emailbydomain.com>

Auto manuals search

<http://auto.somanuals.com>

TV manuals search

<http://tv.somanuals.com>