

SONY[®]

RGB SQ PROCESSOR BOARD

HKSR-5803SQ

ADVANCED HQ PROCESSOR BOARD

HKSR-5803HQ



INSTALLATION MANUAL

1st Edition

⚠ 警告

このマニュアルは、サービス専用です。

お客様が、このマニュアルに記載された設置や保守、点検、修理などを行うと感電や火災、人身事故につながる可能性があります。

危険をさけるため、サービストレーニングを受けた技術者のみご使用ください。

設置や保守、点検、修理などを行う前に、VTR本体に付属している下記マニュアルの「安全のために」を必ずお読みください。

・ SRW-5800

インストラクションマニュアルおよびオペレーションマニュアル

⚠ WARNING

This manual is intended for qualified service personnel only.

To reduce the risk of electric shock, fire or injury, do not perform any servicing other than that contained in the operating instructions unless you are qualified to do so. Refer all servicing to qualified service personnel.

⚠ WARNUNG

Die Anleitung ist nur für qualifiziertes Fachpersonal bestimmt.

Alle Wartungsarbeiten dürfen nur von qualifiziertem Fachpersonal ausgeführt werden. Um die Gefahr eines elektrischen Schlages, Feuergefahr und Verletzungen zu vermeiden, sind bei Wartungsarbeiten strikt die Angaben in der Anleitung zu befolgen. Andere als die angegebenen Wartungsarbeiten dürfen nur von Personen ausgeführt werden, die eine spezielle Befähigung dazu besitzen.

⚠ AVERTISSEMENT

Ce manuel est destiné uniquement aux personnes compétentes en charge de l'entretien. Afin de réduire les risques de décharge électrique, d'incendie ou de blessure n'effectuer que les réparations indiquées dans le mode d'emploi à moins d'être qualifié pour en effectuer d'autres. Pour toute réparation faire appel à une personne compétente uniquement.

Section 1

Installation

Purpose of this manual

This manual is an installation manual of RGB SQ Processor Board HKSR-5803SQ and Advanced HQ Processor Board HKSR-5803HQ.

This manual is intended for system and service engineers, so describes information regarding installation.

Related manual

Besides this installation manual, the following manual is available for HKSR-5803SQ and HKSR-5803HQ.

- Maintenance Manual (available on request)

This manual describes the information for the maintenance of this unit and the information that premises the parts level service.

If this information is required, please contact your local Sony Sales Office/Service Center.

1-1. Specifications

General

HKSR-5803SQ

Dimensions (w/h)

SQ-20 Board: 155 × 90 mm

Mass

SQ-20 Board: approx. 70 g

Power requirements

+3.3 V dc: 840 mA

+1.5 V dc: 1800 mA

Power consumption

approx. 5.5 W

HKSR-5803HQ

Dimensions (w/h)

DLP-27 Board: 155 × 90 mm

Mass

DLP-27 Board: approx. 70 g

Power requirements

+3.3 V dc 850 mA

+1.5 V dc: 1800 mA

Power consumption

approx. 5.5 W

1-2. Installation Overview

Components

HKSR-5803SQ is composed of the following items:

- SQ-20 Board
- Hexagonal support 7 mm (4 pcs)
- PSW2.6 × 5.8 (8 pcs)
- Installation manual

HKSR-5803HQ is composed of the following items:

- DLP-27 Board
- Hexagonal support 7 mm (4 pcs)
- PSW2.6 × 5.8 (8 pcs)
- Installation manual

Applicable models

SRW-5800

Installations of HKSR-5803SQ or HKSR-5803HQ

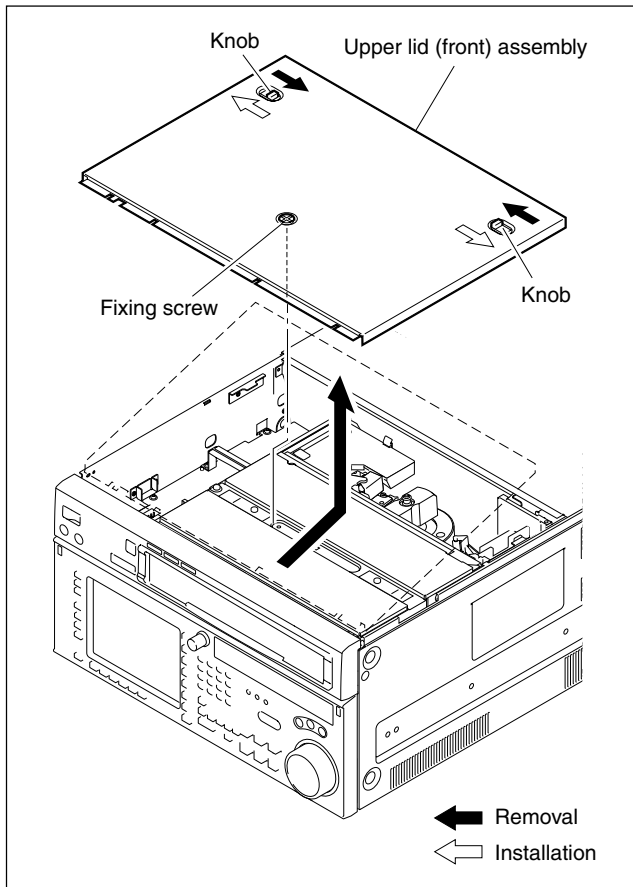
The HKSR-5803SQ comprises the SQ-20 board. Mount the SQ-20 board on the HPR-22 board.

The HKSR-5803HQ comprises the DLP-27 board. Mount the DLP-27 board on the HPR-22 board.

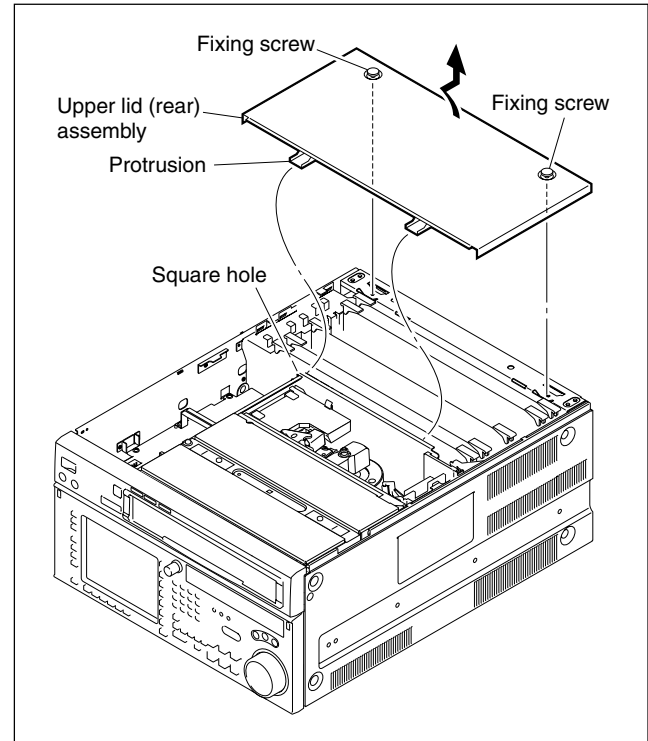
Attach and adjust the HKSR-5803SQ or HKSR-5803HQ properly, following the procedures in Section 1-3 and later.

1-3. Installation Procedure

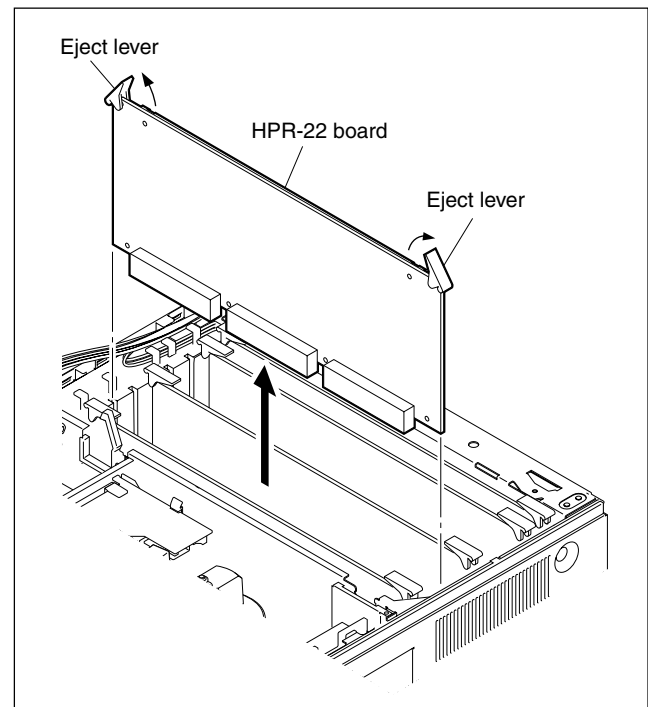
1. Turn off the power of the VTR.
2. Fully loosen the two fixing screws, and then slide the two knobs on the upper lid (front) assembly each to the inside. (Move the knobs to the outside to fix the upper lid (front) assembly.)
3. Remove the upper lid (front) assembly in the arrow direction.



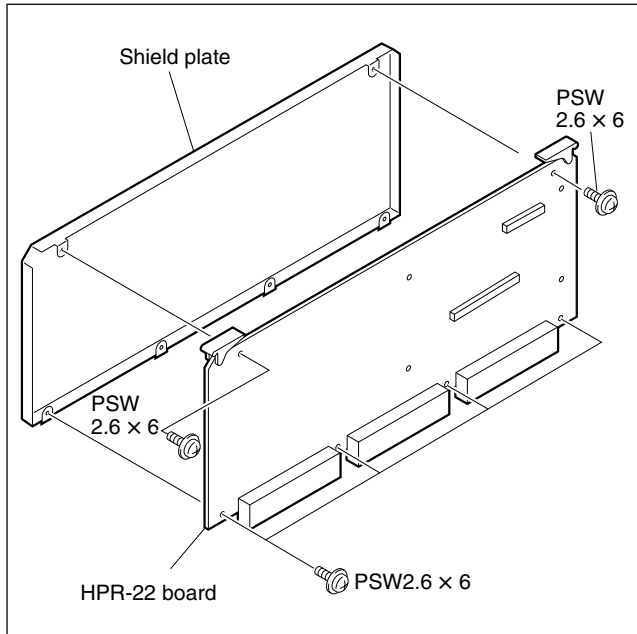
4. Fully loosen the two fixing screws, and then remove the upper lid (rear) assembly in the arrow direction.



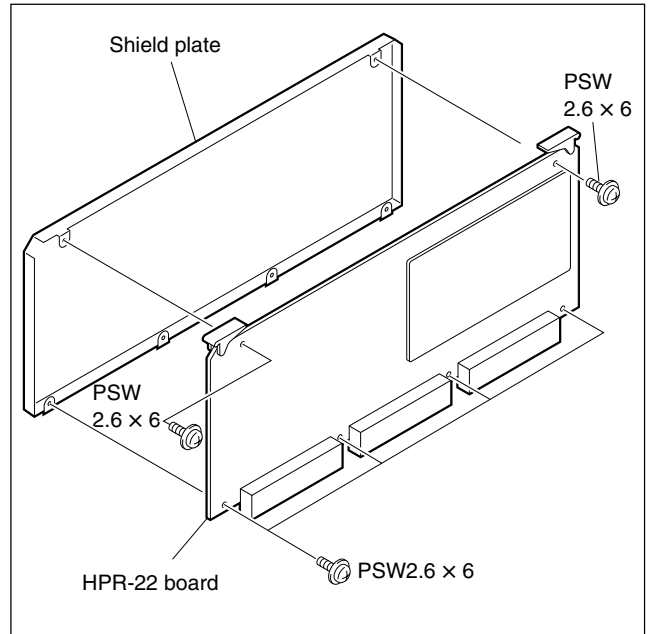
5. Raise the eject levers of the HPR-22 board in the arrow direction, and then pull out the board slowly upward.



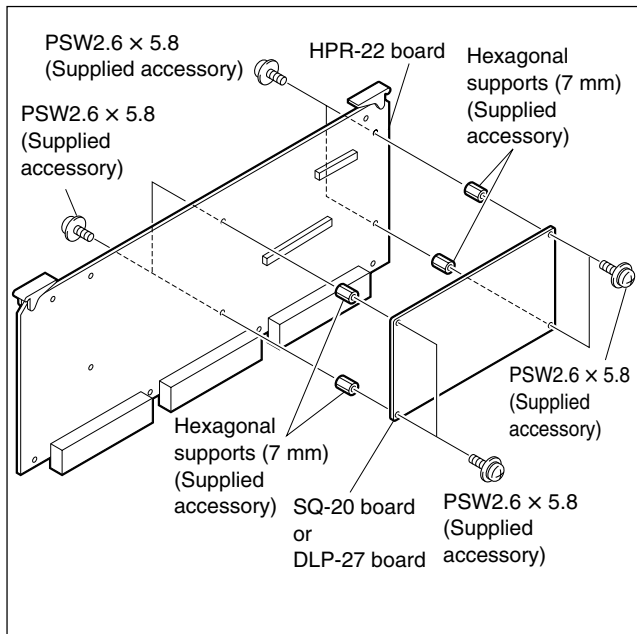
- Remove the six screws to detach the shield plate from the HPR-22 board.



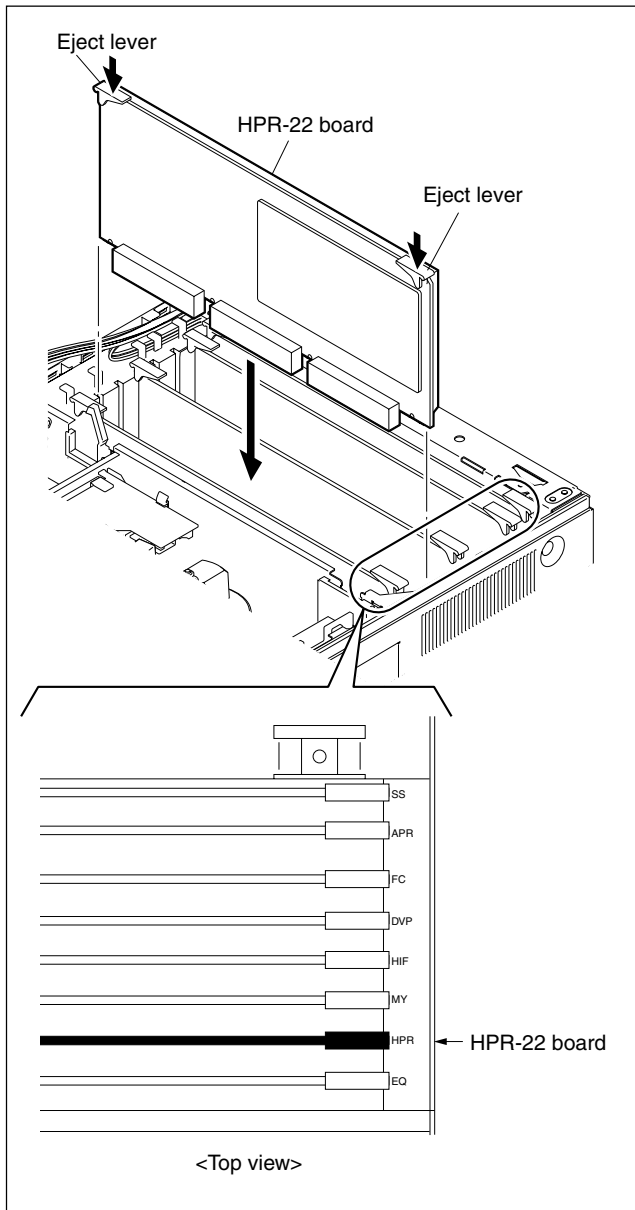
- Reattach the shield plate to the HIF-22 board with six screws.



- Attach four 7 mm hexagonal supports (accessory) to the HPR-22 board with four screws (accessory).
- Connect the SQ-20 board or DLP-27 board to the HPR-22 board and secure it with four screws (accessory).



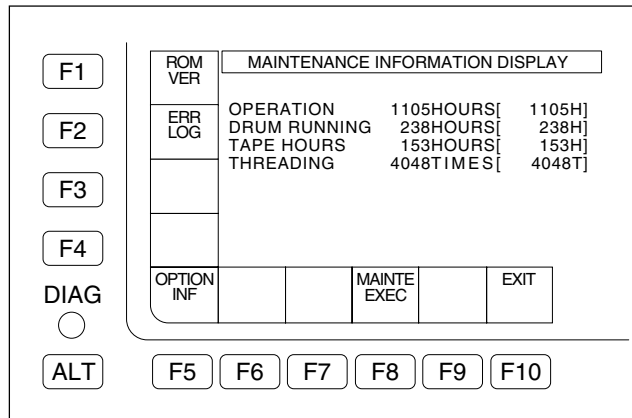
10. Securely insert the HPR-22 board into the "HPR" slot to tightly connect the board to the connector on the motherboard, while pressing down the two eject levers.



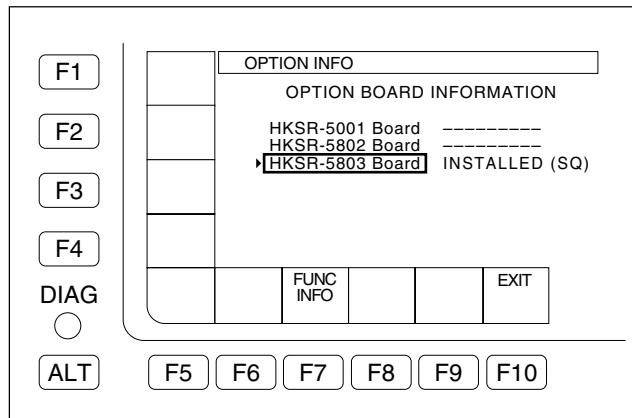
1-4. Confirming Identification of Optional Board

Confirmation Procedure

- On the HOME menu, press the DIAG button while pressing the **SFT** (shift) key. The MAINTENANCE INFORMATION menu appears.



- Press **F5** (OPTION INF). The OPTION INFORMATION menu appears.



- Check that "INSTALLED (SQ)" (HKSR-5803SQ) or "INSTALLED (HQ)" (HKSR-5803HQ) is displayed for the HKSR-5803 board.

Note

For more information on the maintenance mode, refer to Section 3 of the VTR Maintenance Manual Volume 1.

このマニュアルに記載されている事柄の著作権は当社にあります。

従って、当社の許可なしに無断で複写したり、説明内容(操作、保守等)と異なる目的で本マニュアルを使用することを禁止します。

The material contained in this manual consists of information that is the property of Sony Corporation. Sony Corporation expressly prohibits the duplication of any portion of this manual or the use thereof for any purpose other than the operation or maintenance of the equipment described in this manual without the express written permission of Sony Corporation.

Le matériel contenu dans ce manuel consiste en informations qui sont la propriété de Sony Corporation. Sony Corporation interdit formellement la copie de quelque partie que ce soit de ce manuel ou son emploi pour tout autre but que des opérations ou entretiens de l'équipement à moins d'une permission écrite de Sony Corporation.

Das in dieser Anleitung enthaltene Material besteht aus Informationen, die Eigentum der Sony Corporation sind. Die Sony Corporation untersagt ausdrücklich die Vervielfältigung jeglicher Teile dieser Anleitung oder den Gebrauch derselben für irgendeinen anderen Zweck als die Bedienung oder Wartung der in dieser Anleitung beschriebenen Ausrüstung ohne ausdrückliche schriftliche Erlaubnis der Sony Corporation.

HKSR-5803SQ (SY)
HKSR-5803HQ (SY) J, E
3-286-478-01

Sony Corporation

Printed in Japan
2007. 10 08
©2007

Free Manuals Download Website

<http://myh66.com>

<http://usermanuals.us>

<http://www.somanuals.com>

<http://www.4manuals.cc>

<http://www.manual-lib.com>

<http://www.404manual.com>

<http://www.luxmanual.com>

<http://aubethermostatmanual.com>

Golf course search by state

<http://golfingnear.com>

Email search by domain

<http://emailbydomain.com>

Auto manuals search

<http://auto.somanuals.com>

TV manuals search

<http://tv.somanuals.com>