



## **SSV10.4FL**

*10.4" Flip Down TFT Monitor*

### **Congratulations on your purchase of a Sound Storm Video Monitor.**

It has been designed, engineered and manufactured to bring you the highest level of performance and quality, and will afford you years of viewing pleasure.

Thank you for making Sound Storm your choice in car video entertainment!

## **USER'S MANUAL**

<i>page</i>	<b>CONTENTS</b>
<b>2</b>	General precautions
<b>2</b>	Safety precautions
<b>3</b>	Installation precautions
<b>3</b>	Operation precautions
<b>3</b>	Features
<b>3</b>	What is included?
<b>4</b>	Monitor controls and features
<b>5</b>	Remote control
<b>5</b>	Remote control battery replacement
<b>6</b>	System wiring
<b>7</b>	Monitor installation
<b>8</b>	Releasing and opening the monitor
<b>9</b>	Powering up the monitor
<b>9</b>	Turning on the dome lights
<b>10</b>	On screen menu system
<b>11</b>	Troubleshooting
<b>12</b>	Specifications

## General precautions

Please read this manual completely and carefully prior to attempting to install your new **Sound Storm** mobile video equipment. Installed correctly, your **Sound Storm** equipment will provide you with years of enjoyable and safe usage.

Installation of this equipment in any portion of a vehicle which impairs or distracts the driver is improper and dangerous. **Sound Storm** assumes no liability whatsoever for failure to follow the proper installation of this product.

Please keep this manual in a safe place for future reference.

## Safety precautions

- Do not operate this equipment while driving – safe driving should always be your highest priority.
- This product should not be installed in a location which allows the monitor screen to be visible to the driver of the vehicle. In some states and countries, the viewing of images on a screen inside a vehicle is illegal, even by people other than the driver. Be sure that the installation and operation of this system is in compliance with local rules and regulations.

- Do not open or attempt to repair this unit yourself. Dangerous high voltages are present which may result in electric shock. Refer any repairs to a qualified service technician.

- Do not attempt to repair a damaged, broken or faulty power cord. Replace it with a new one immediately.

- To avoid risk of electronic shock or damage to the monitor, do not permit any of this equipment to become damp or wet from water or drinks. If this does occur, immediately unplug the power cord and send the monitor to your local dealer or service center as soon as possible.

- If there is smoke or any peculiar odor present during use or if there is damage to any of the component enclosures, immediately unplug the power cord and send the monitor to your local dealer or service center as soon as possible .

**SHOCK HAZARD! Do not open the case of this product.** There are dangerous voltages present within the unit. There are no user-serviceable parts within the unit.

## Installation precautions

Choose a mounting location in your vehicle where the unit will not distract or otherwise interfere with the driver's ability to control the vehicle.

Do not install components in areas which are susceptible to rain, moisture, direct sunlight, extreme heat or cold, excessive dust, dirt or humidity.

If installation requires drilling holes or other modifications to the vehicle, consult with your nearest dealer or professional car audio installer.

Use only the installation parts and hardware provided with the unit to ensure proper installation. Using other parts can cause malfunction and possible damage to your **Sound Storm** video monitor.

Use only a power source with 12 Volts DC (negative ground).

Before final installation, temporarily connect the wiring according to the diagram near the end of this manual, check it to ensure that it has been connected properly, and test the unit to make sure it is working correctly.

After the monitor is installed, do not arbitrarily pull it down or strike it. This may loosen the mounting screws and cause it to fall down.

## Operating precautions

Turn the unit off when it is not in use.

Avoid dropping any metal objects or inflammable items into the monitor ventilation slots.

Do not place objects on or suspend objects from the power cord, as this may damage the cord.

## Features

Your new video monitor features the following:

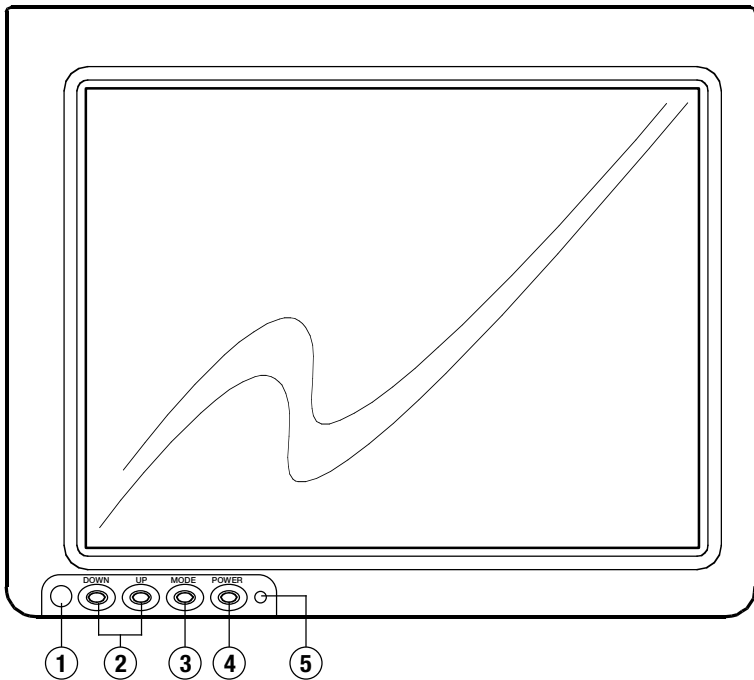
- **TFT Active Matrix LCD display**
- **Overhead console mounting bracket**
- **On-screen menu system**
- **Audio/video input controls**
- **Dual built-in dome lights**
- **Wireless remote control**

## What is included?

When first unpacking your new flip-down monitor, please check first that the package contains all of the items below. If something is missing, contact the store where you purchased the player.

- **LCD monitor housing**
- **Wireless remote control with battery**
- **Video/power interface cable with inline fuse**
- **Metal mounting plate**
- **Black machine screws**  
*(for attaching monitor to mounting plate)*

## Monitor Controls and Features



① **REMOTE IR SENSOR**

② **UP/DOWN BUTTONS**

These buttons are used to increase or decrease parameters in the on-screen display menu system.

③ **MODE**

This button enables the on-screen display menu system. Once enabled, this button is used as an ENTER button.

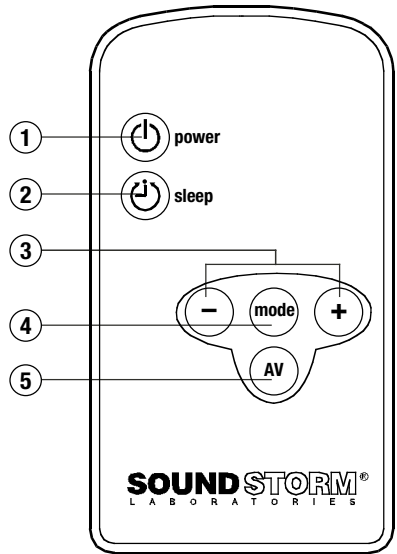
④ **POWER ON/OFF**

This button turns the monitor system on and off.

⑤ **POWER LED**

## Remote Control

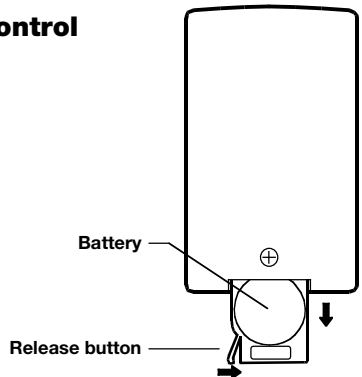
- ① **POWER**  
Press to turn unit ON or OFF.
- ② **SLEEP**  
This monitor shuts off automatically after a certain period of non-use. Use the time button to change the length of time required before auto shut-off.
- ③ **UP/DOWN BUTTONS**  
These buttons are used to increase or decrease parameters in the on-screen display menu system.
- ④ **MODE**  
This button enables the on-screen display menu system. Once enabled, this button is used as an ENTER button.
- ⑤ **A/V SOURCE SELECTOR**  
Use this button to switch between A/V Source 1 and A/V Source 2.



## Changing the battery in the remote control

The remote battery is held in a small “drawer” on one edge of the remote. To open this drawer, press and hold the small button on the edge of this drawer (as shown below) and slide the drawer out.

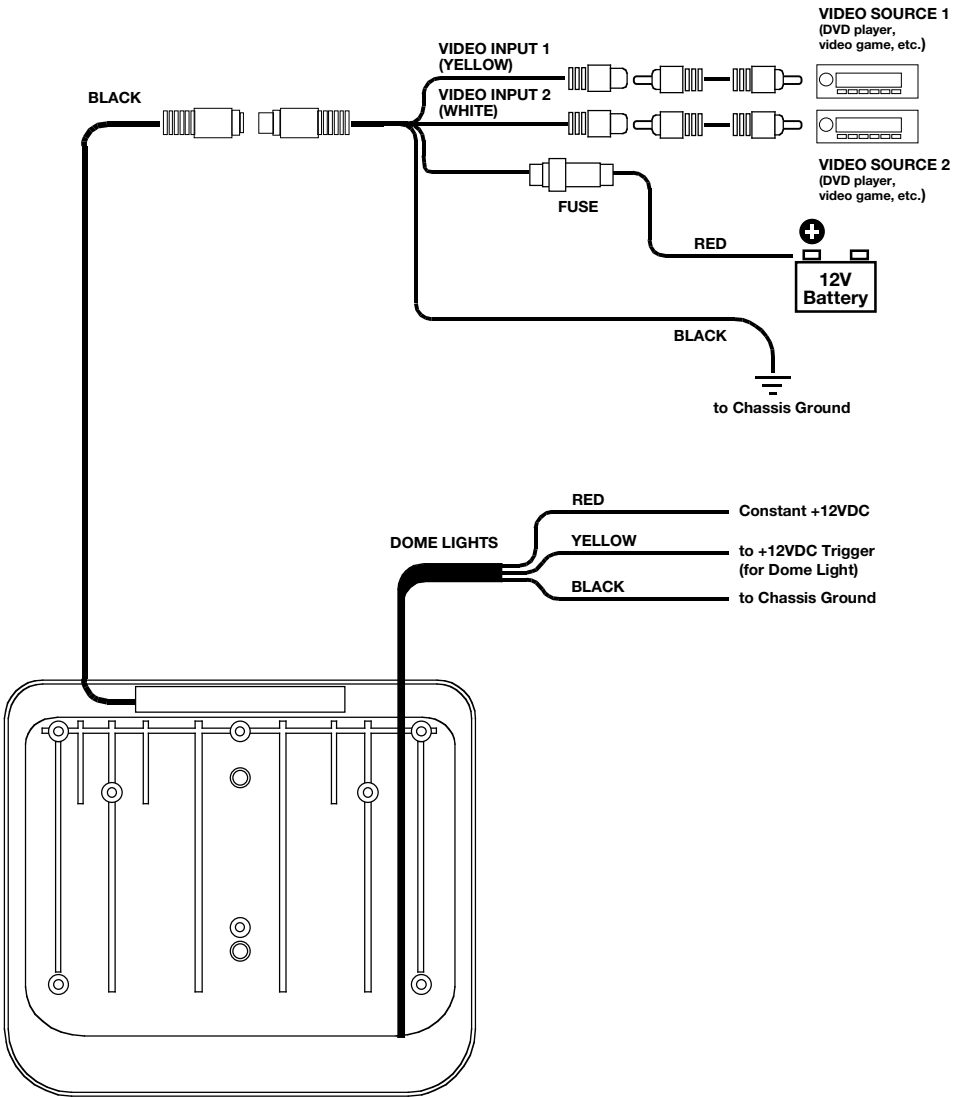
Insert a new battery and push the drawer back fully into the remote.



# System wiring

On a towel or soft cloth, gently place the monitor assembly “face down” on a stable work surface.

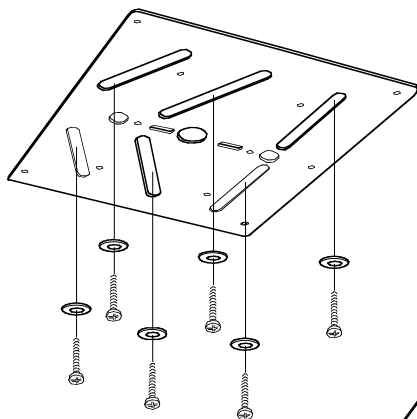
Using the wires provided, complete the audio, video and power connections in your vehicle as shown in the diagram below.



## Monitor installation

**CAUTION:** Make sure the screws are **NOT** long enough to go through the roof!

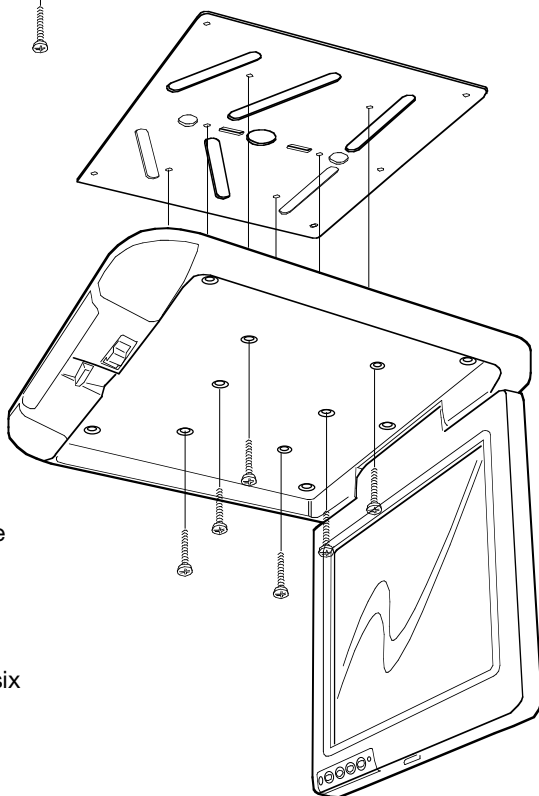
If you have any doubts about this type of installation, please consult your local mobile electronics retailer. Making holes in the roof of your vehicle will cause damage which is expensive to repair.



Attach the monitor mounting plate by screwing through the headliner and into the existing roof supports or the wood bracket you made (see TIP below).

### NOTE

Hardware shown in this illustration is not provided due to varying installation requirements.



Thread all the wires through the round hole in the center of the mounting plate.

Install the monitor onto the mounting plate, using at least six of the screws provided.

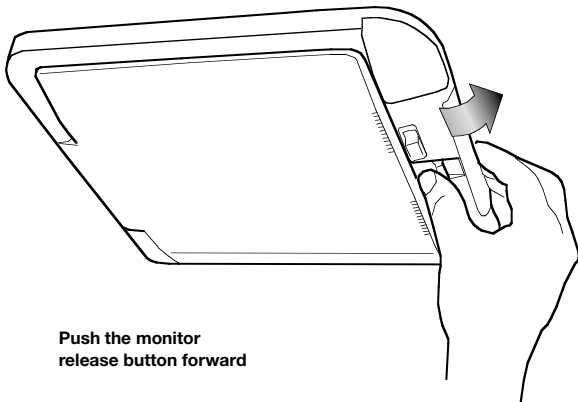
### INSTALLATION TIP

Make a MOUNTING BRACKET out of wood. This bracket mounts under the headliner, and provides a mounting surface to which the housing of the flip-down monitor can be attached.

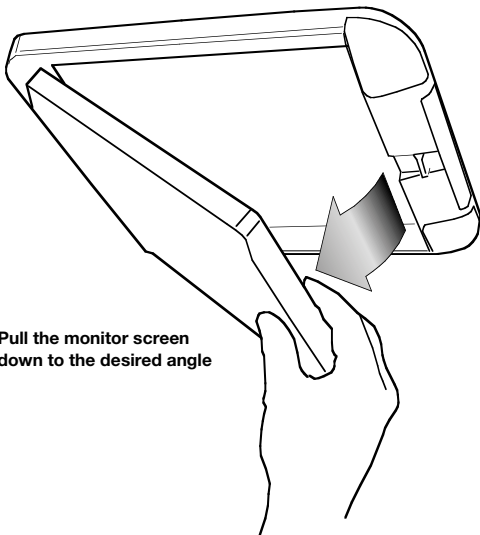
## Releasing and lowering the monitor

To lower the monitor, press the Monitor Release button and pull the monitor down. It will drop freely to 45°.

To lower the monitor further, continue pulling down and the internal mechanism will permit further movement and will hold the monitor in the position in which you leave it.



Push the monitor release button forward



Pull the monitor screen down to the desired angle

To avoid accidental damage, we suggest you always close the monitor assembly when it is not in use. To do so, rotate the monitor back to a 0° left-to-right position, and push it up into the monitor base until you hear a “click.” Test that it is secured by gently pulling down on monitor frame.



## Powering up the monitor

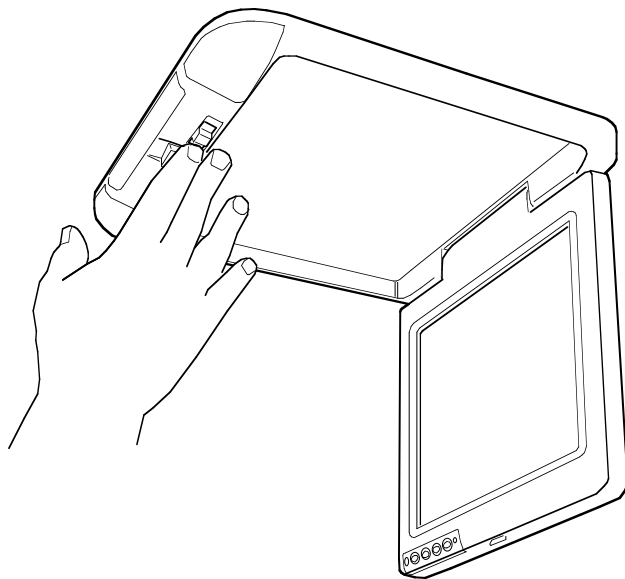
To turn the monitor on, press and hold the POWER button for two seconds. When the power is ON, if an input signal is present, the picture will be displayed on the screen. If no signal is present, the monitor will display the message "NO SIGNAL."

If you know a video input signal is present but the monitor displays "NO SIGNAL," be sure to try pressing the AV SELECT button to see if your input source is connected to the other AV input.

To adjust the monitor image, press MODE to access the various adjustment controls such as BRIGHTNESS and CONTRAST. Use the +/- buttons to adjust each parameter until you are satisfied with the picture quality.

## Turning on the dome lights

This unit features a three-position switch for the dome lights. The switch is located near the monitor release button. The three positions are ON, ON when the car dome lights are on, and OFF.



## On-screen (OSD) menu system

This monitor incorporates an on-screen menu display systems which permits you to setup the monitor for a wide variety of installations and applications.

Enter the menu system by pressing the MODE button on the front of the monitor or the remote control. Pressing the MODE button steps you through the five main screens of the menu system. These are, in order: Color, Picture, OSD (On Screen Display) Menu, Miscellaneous and Exit.

The basic navigation method for this menu system is to:

- 1 - enter a menu by pressing the MODE button
- 2 - use the < and > buttons to scroll to the parameter you wish to change
- 3 - press the MODE button to confirm the selection
- 4 - use the < and > buttons to adjust the parameter you wish to change
- 5 - press the MODE button to enter the selection

To leave a menu:

- 1 - press MODE to move to another menu
- 2 - press MODE a few times until you arrive at the EXIT screen
- 3 - wait about 15 seconds, after which time the monitor exits the system automatically.

## Sub-menus in the OSD system

Each of the three main menu areas contain submenus permitting you to adjust many aspects of your monitor's behavior.

*In the **COLOR** menu, you can adjust the following:*

CONTRAST • BRIGHTNESS • HUE • SATURATION

*In the **OSD** menu, you can adjust the following:*

LANGUAGE (language used in the menus)

OSD-H and OSD-V (position of image on monitor screen)

OSD-TIMER (length of time OSD system remains present after last activity.

ON means 5 seconds, OFF means OSD will stay on until you exit the system.

TRANSLUCENT (controls if menu background is opaque or translucent. After selecting this function, use the < and > keys to turn translucency on or off).

*In the **MISCELLANEOUS** menu, you can adjust the following:*

SIGNAL SOURCE (permits you to switch between A/V input sources 1 and 2. After selecting this function, use the < and > keys to choose the input source).

RESET (YES means return monitor to factory defaults, NO means keep custom settings you have created).

## Troubleshooting

If you experience operation or performance problems with this product, compare your installation with the electrical wiring diagram on the previous page. If problems persist, read the following troubleshooting tips which may help eliminate the problems.

SYMPTOM	CAUSE	REMEDY
<p><b>No picture or sound.</b></p>	<p>Power cord is not properly connected.</p> <p>A/V input cables not properly connected.</p> <p>A/V input source is not operating properly.</p>	<p><i>Check that power connections are properly made and all fuses are in functioning condition.</i></p> <p><i>Check all cables.</i></p> <p><i>Replace or repair A/V source (DVD player, video game, etc.)</i></p>
<p><b>No picture.</b></p>	<p>A/V signal not present.</p> <p>Contrast and/or brightness is set improperly.</p> <p>TV reception is poor (applies to system with TV tuner only)</p>	<p><i>Check all cables. If necessary, repair or replace A/V source.</i></p> <p><i>Adjust contrast and brightness levels to see if picture appears.</i></p> <p><i>Check and adjust antenna system. Move to another area with better reception, if possible.</i></p>
<p><b>Remote control does not function properly.</b></p>	<p>Battery is dead.</p> <p>Remote is not being used in direct line-of-sight with the player or remote IR sensor. Transmission is best within 6 feet/35° angle of IR sensor on the monitor.</p>	<p><i>Replace battery.</i></p> <p><i>Be sure when being used, the remote is being pointed directly toward the player or remote IR sensor (if installed).</i></p>

## Specifications



**MODEL** **SSV10.4FL**  
*10.4" Flip Down  
TFT Monitor*

---

### **A/V SYSTEM**

**Screen size** 10.4"  
**Video Compatibility** NTSC/PAL auto-compatible  
**LCD panel type** Active Matrix TFT  
**Resolution, pixels** 1152 x 234  
**Brightness** 500 NITS

---

### **GENERAL**

**Operating voltage** 12V DC  
**Dimensions (L x W x H)** 11.4 x 11.0" x 1.3"

---

*All specifications subject to change without notice.*

## Free Manuals Download Website

<http://myh66.com>

<http://usermanuals.us>

<http://www.somanuals.com>

<http://www.4manuals.cc>

<http://www.manual-lib.com>

<http://www.404manual.com>

<http://www.luxmanual.com>

<http://aubethermostatmanual.com>

Golf course search by state

<http://golfingnear.com>

Email search by domain

<http://emailbydomain.com>

Auto manuals search

<http://auto.somanuals.com>

TV manuals search

<http://tv.somanuals.com>