



UTEX INDUSTRIES, INC.
Taking Sealing Technology Beyond Tomorrow
ISO 9001 Certified
www.utexind.com

PRODUCT BULLETIN

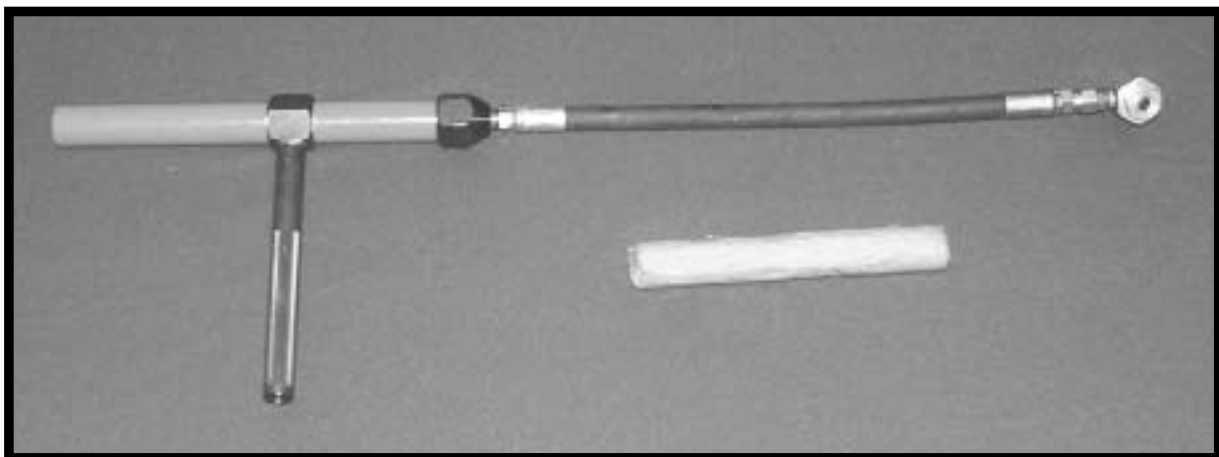
UPB - 84 **01/14/04**
Rev. A 01/19/04

U-PAK® MANUAL INJECTION GUN

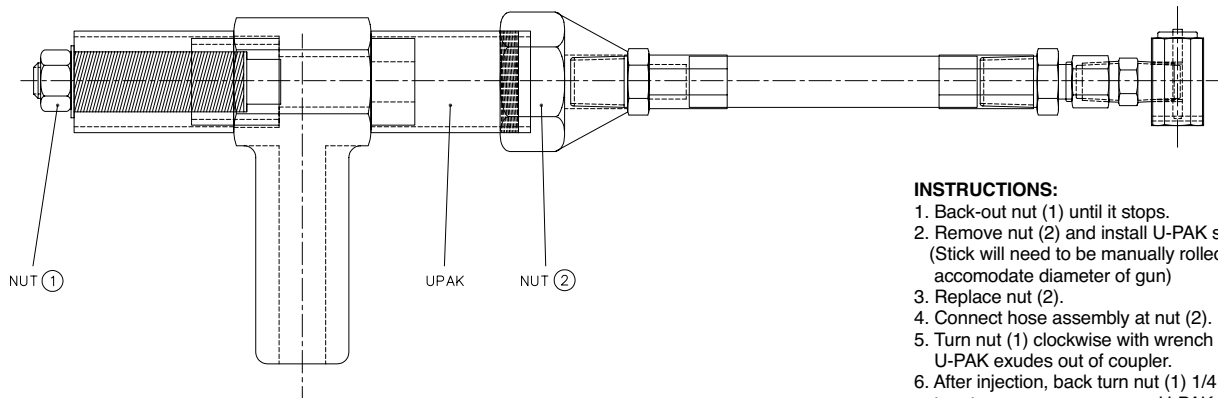
The Manually Operated U-PAK Injection Gun is economical, easy-to-operate and low-maintenance when compared to a Hydraulic Gun. It utilizes a button-head, which is permanently installed on the pump or valve stuffing box. It has been designed for low-pressure applications but can accommodate a maximum of 5000 psi injection pressure.

Since it requires no electricity, the U-PAK Manual Injection Gun can be used almost anywhere to replenish sealant easily and conveniently. The all-steel, light-weight gun is completely portable and very easy to use.

The valve or pump stuffing box fitting allows the U-PAK sealant to be hand-injected into the shaft stuffing box using the injection gun. No downtime is required for the repacking operation since the equipment can continue to run during the repacking operation.



U-PAK Manual Injection Gun
Complete Assembly
Part # 0645-00-1000-00



INSTRUCTIONS:

1. Back-out nut (1) until it stops.
2. Remove nut (2) and install U-PAK stick. (Stick will need to be manually rolled to accommodate diameter of gun)
3. Replace nut (2).
4. Connect hose assembly at nut (2).
5. Turn nut (1) clockwise with wrench until U-PAK exudes out of coupler.
6. After injection, back turn nut (1) 1/4 - 1/2 turn to remove pressure on U-PAK.

UPAK® is a Registered Trademark of Utex Industries, Inc. This information is believed to be reliable and correct, but our products discussed or described herein are sold without warranty, expressed or implied, as to the results the user may obtain with them, or as to the absence, existence or validity of patent rights of others that may be infringed by the use of this product. Statements herein concerning possible uses for our products should not be taken as inducements or recommendations to use these products to violate any particular patent.

Free Manuals Download Website

<http://myh66.com>

<http://usermanuals.us>

<http://www.somanuals.com>

<http://www.4manuals.cc>

<http://www.manual-lib.com>

<http://www.404manual.com>

<http://www.luxmanual.com>

<http://aubethermostatmanual.com>

Golf course search by state

<http://golfingnear.com>

Email search by domain

<http://emailbydomain.com>

Auto manuals search

<http://auto.somanuals.com>

TV manuals search

<http://tv.somanuals.com>