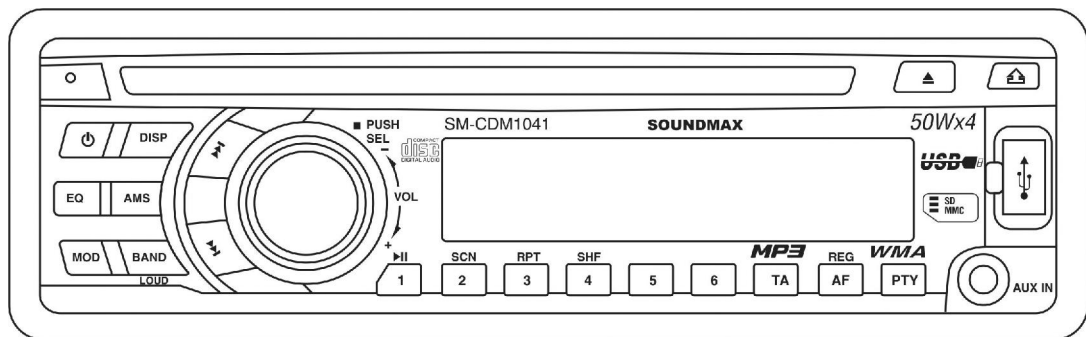


SOUNDMAX

SM-CDM1041



CD/MP3-RECEIVER
Instruction manual

CD/MP3-РЕСИВЕР
Руководство по эксплуатации

Dear customer!

Thank you for purchasing our product. For safety, it is strongly recommended to read this manual carefully before connecting, operating and/or adjusting the product and keep the manual for reference in the future.

Table of contents

TABLE OF CONTENTS	2
IMPORTANT SAFEGUARDS	3
INSTALLATION/CONNECTIONS	4
CONNECTION SCHEME	8
ACCESSORIES	9
PANEL CONTROLS	10
GENERAL OPERATIONS.....	12
RADIO OPERATIONS	15
RDS FUNCTION.....	16
OTHER FUNCTIONS.....	18
CD/MP3/WMA OPERATIONS	19
MIXED-CD OPERATIONS	22
AUX IN OPERATIONS.....	22
SD/MMC CARD OPERATIONS	22
USB DEVICE OPERATIONS	23
MP3 OVERVIEW	25
ESP FUNCTION	26
ANTI-THEFT SYSTEM.....	26
HANDLING COMPACT DISCS	26
CLEANING.....	27
TROUBLESHOOTING GUIDE	28
SPECIFICATION	29

Important safeguards

- Read carefully through the manual to familiarize yours with this high-quality sound system.
- Disconnect the vehicle's negative battery terminal while mounting and connecting the unit.
- When replacing the fuse, be sure to use one with an identical amperage rating. Using a fuse with a higher amperage rating may cause serious damage to the unit.
- Do not attempt to disassemble the unit. Laser beams from the optical pickup are dangerous to the eyes.
- Make sure that pins or other foreign objects do not get inside the unit; they may cause malfunctions, or create safety hazards such as electrical shock or laser beam exposure.
- Do not use the unit in places where it can be exposed to water, moisture and dust.
- If you have parked the car for a long time in hot or cold weather, wait until the temperature in the car becomes normal before operating the unit.
- Do not open covers and do not repair yourself. Consult the dealer or an experienced technician for help.
- Make sure you disconnect the power supply and aerial if you will not be using the system for a long period or during a thunderstorm.
- Make sure you disconnect the power supply if the system appears to be working incorrectly, is making an unusual sound, has a strange smell, has smoke emitting from it or liquids have got inside it. Have a qualified technician check the system.
- The unit is designed for negative terminal of the battery, which is connected to the vehicle metal. Please confirm it before installation.
- Do not allow the speaker wires to be shorted together when the unit is switched on. Otherwise it may overload or burn out the power amplifier.
- Do not install the detachable panel before connecting the wire.

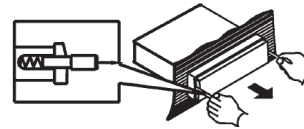
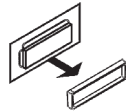
Installation/Connections

First complete the electrical connections, and then check them for correctness. If you are not confident working with electrical wiring, removing and reinstalling interior panels, carpeting, dashboards or other components of your vehicle, please call your dealer in order to have the unit professionally installed.

Before installing the unit, please remove two screws on the top.

Before the installation

1. Remove the old unit from the dashboard.
 - Remove the outer trim frame.
 - Insert the keys supplied with the unit into both sides of the unit as shown in figure below until they click. Pull to remove the old unit from the dashboard. Do not disconnect wires at this time!



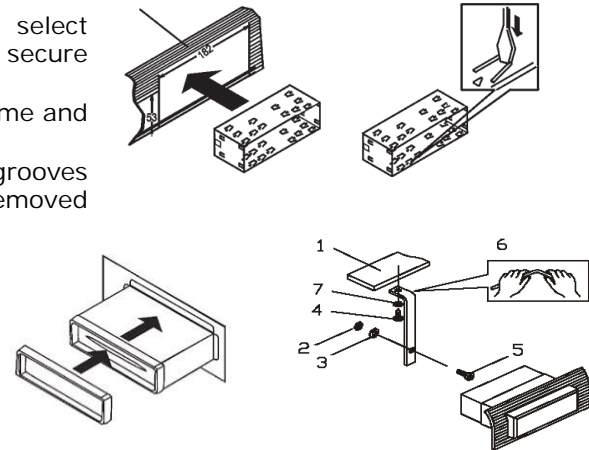
2. Mark polarity of the speaker wires.

Marking the polarity of the speaker wires will make it easier to connect the existing speakers to your unit. Consult wiring diagram of existing head unit before disconnecting any wires. If you are not positive of the polarity of the existing wires from the speakers to the head unit, install new wires.

 - While the old unit is playing, disconnect the wires from one speaker.
 - Take a length of masking tape and fold it around the wire so it forms a flag.
 - On the masking tape mark the polarity of the speaker wires (+ & -), as well as left or right, and front or rear.
 - Repeat this procedure for all of the speakers.
 - Mark the power, ground, and any other wires also.

Installation method A

- After inserting the holder into the dashboard, select the appropriate tab and bend them inwards to secure the holder in place.
- Insert fingers into the groove in the front of frame and remove it.
- Insert the levers supplied with the unit to the grooves at both sides. The unit can be installed or removed from the dashboard.



SOUNDMAX

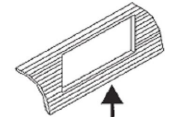
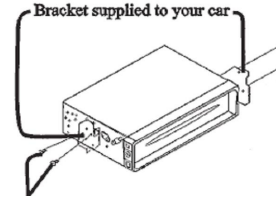
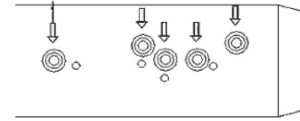
Installation method B

Note: Outer trim frame, hook, and mounting sleeve are not used for this installation.

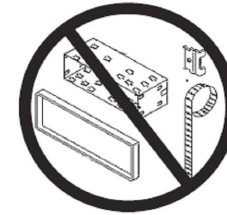
This is only intended as a general guide; contact the vehicle's manufacturer for specific instructions.

This method of installation uses the screw holes at the sides of the unit and the holes of the existing vehicle mounting bracket.

1. Align the screw holes of the mounting bracket supplied with the car and the screw holes of the main unit. Tighten the 2 screws on each side of the unit. Then fasten the brackets to the car.
2. Attach wires of the unit to existing speaker wires. See wiring diagram.



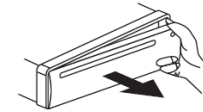
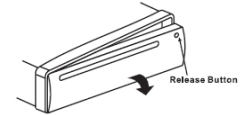
Dashbord
or Console



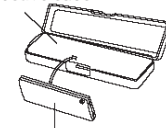
To detach the front panel

The front panel of the unit may be removed as a theft deterrent. After removing the front panel, use the case provided to keep the front panel from getting damaged.

1. Press OPEN button to flip down the front panel.
2. Pull of the front panel.
3. Store the front panel in the protective case provided for safekeeping.



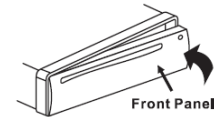
protective case



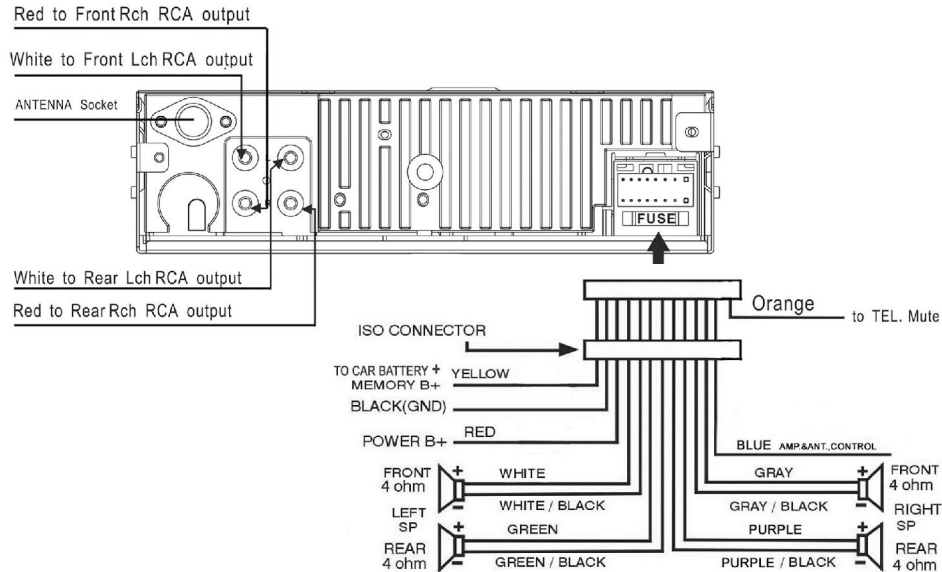
front panel

To attach the front panel

Hold the right side of the front panel with the plate facing down. First attach the left side of the front panel to the unit by inserting the hole into the left holder. Then slightly push it leftwards and attach the right side hole into the right holder. Finally push up the front panel.



Connection scheme



Notes:

- In spite of having any kinds of speaker system, must use 4 ohms impedance of speaker to reduce the distortion during high volume level.
- Prohibit to make the conductors of auto antenna and ground touch with each other.

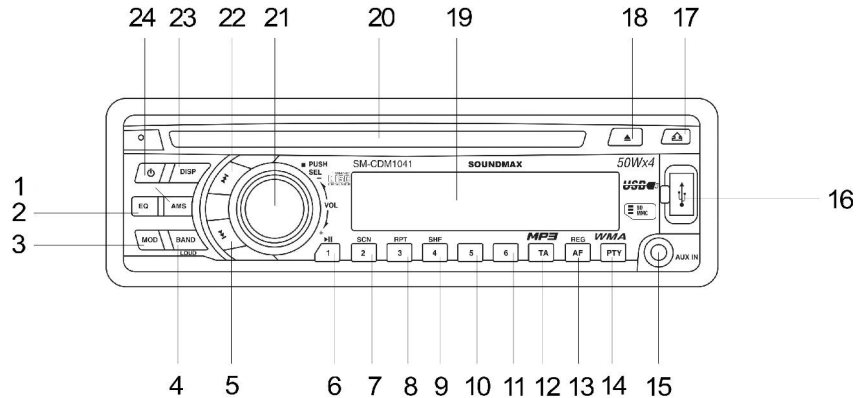
Accessories

Nº	Name	pcs
1	Hexagon nut M5 T (3.5 mm)	1
2	Mounting box (0.6 mm)	1
3	Left key (1.0 mm)	1
4	Right key (1.0 mm)	1
5	Metal bar (0.8 mm)	1
6	ISO connector	1
7	Plain washer $\Phi=5$ mm	1
8	Carrying case	1
9	Outer trim ring	1
10	Spring washer $\Phi=5$ mm	2
11	Screw $\Phi 5 \times 5$ mm	4
12	Screw $\Phi 5 \times 25$ mm	1
13	Screw M5 $\Phi 5 \times 29.3$ mm	1
14	Customer information	1
15	Warranty card	1
16	Instruction manual	1

Panel controls

Front panel

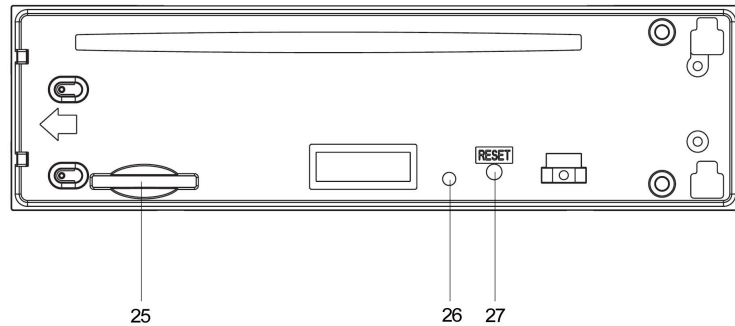
1. AMS button
2. EQ button
3. MOD button
4. BAND/LOUD button
5. PREV button
6. No 1/PLAY/PAUSE button
7. No 2/SCN button
8. No 3/RPT button
9. No 4/SHF button
10. No 5 button
11. No 6 button
12. TA button
13. AF/REG button
14. PTY button
15. AUX in jack
16. USB socket
17. OPEN button
18. EJECT button
19. LCD display
20. Disc clot
21. VOL knob/SEL button
22. NEXT button
23. DISP button
24. POWER button



Inner panel

Press OPEN button on the front panel to flip it down.

- 25. SD/MMC-card slot
- 26. Light indicator
- 27. RESET button



SOUNDMAX

General operations

Power button

Press any button (except OPEN) or insert disc to switch the unit on. Press the POWER button to switch the unit off.

Volume control

Rotate the VOL knob on the front panel to adjust volume level.

Audio settings adjustment

Press SEL button until the display shows: VOL => BAS => TRB => BAL => FAD. Rotate the VOL knob to adjust each mode.

Press SEL button for 2 seconds to enter the menu mode. Press it repeatedly to choose the needed item: TA SEEK/ALARM => PI SOUND/MUTE => RETUNE L/S => MASK DPI/ALL => BEEP 2nd/ALL/OFF.

- TA (Traffic Announcement) mode
To determine what action will the radio take if the newly tuned station does not receive TP (Transport Program) information for 5 seconds. Rotate the VOL knob to select the desired mode: TA ALARM and TA SEEK.
- TA SEEK
When newly tuned station does not receive TP information for 5 seconds, the radio retunes to next station which has not the same station (PI – Program Information) as the last station, but has the TP information. When TP information gets lost at the current station for retune time which is set by RETUNE SHORT (30 seconds) or RETUNE LONG (90 seconds), the radio starts to retune to next same PI station. When same PI station does not catch in 1 cyclic search, the radio retunes to next station with TP information.
- TA ALARM
During searching the radio does not retune but the double beep sound (alarm) is output.
- PI SOUND/MUTE

Choose PI sound or mute. PI sound refers to the reception noise when the AF function tries to scan alternative frequency.

- RETUNE mode
 - To determine the initial time of automatic TA (Traffic Announcement) search. There are 2 modes: RETUNE L and RETUNE S.
 - RETUNE L: 90 seconds.
 - RETUNE S: 30 seconds.
 - Note: Retune mode is active for TA SEEK mode only.
- MASK mode
 - During AF search, PI stations and non-RDS (Radio Data Station) stations with strong signal will be masked, in the latter case, the non-RDS stations may cause interference, resulting the real AF to be masked due to the misjudgment of the radio under interference. Rotate the VOL knob to select the desired mode: MASK DPI and MASK ALL.
 - MASK DPI
 - To mask only the AF with different PI.
 - MASK ALL
 - To mask both PI and strong signal non-RDS station.
- BEEP mode
 - BEEP 2nd: the unit beeps only when any allowed double button is pressed longer than 1 sec.
 - BEEP ALL: the unit beeps when any button is pressed.
 - BEEP OFF: the beep is disabled.

Mode selection

Press MOD button to choose RADIO, AUX, CD, SD or USB source.

Loudness control

Press and hold BAND/LOUD button to turn the LOUD function ON or OFF. This function reinforces the bass output.

Information display

Press DISP button to operate as the conversion of each display mode as follows:

- In case of receiving a RDS station

In radio mode: PS -> CT -> FREQ -> P TY

In CD mode: CD -> CT -> (ID3 TAG) -> PS -> FREQ -> PTY

* In case of no receiving CT or PTY Information, the display shows as "NO CLOCK" or "NO PTY".

- In case of receiving a non RDS station

In radio mode: "NO CLOCK" -> FREQ-> "NO PTY"

In CD mode: CD -> "NO CLOCK" -> FREQ -> "NO PTY"

Each displaying time is several seconds, and come back to 1'st position after several seconds.

Notes: CT = clock time; FREQ = frequency.

Equalizer setting

Press EQ button to choose between the EQ sound effects: FLAT => CLASSICS => POP M => ROCK
M => DSP OFF.

Radio operations

Band selection

Press the BAND/LOUD button repeatedly to select your desired radio band during RADIO mode: FM1, FM2, FM3, MW1.

Automatic memory storing

Press AMS button for 2 seconds, the radio searches from current frequency and checks the signal strength until one cycle is finished. And then 6 strongest stations are stored into the corresponding preset number button.

Selecting station

Press preset 1-6 button to select the station, which had been stored in the memory. Press the PREV/NEXT button for 2 seconds until "MANUAL" appears on the display, and then press the PREV/NEXT button to select a station. If both buttons have not been pressed for several seconds, they will return to automatic seek mode.

Program scanning

Press AMS button shortly to scan preset station.

Station storing

Press PREV/NEXT button to activate automatic seek mode.

In manual mode, press PREV/NEXT button to select station. Press preset 1-6 button for 2 seconds to store current station into the number button.

RDS function

Note: RDS (Radio Data System) service availability varies with areas. Please understand if RDS service is not available in your area, the following service is not available, either.

Press AF/REG button to switch ON or OFF RDS function.

Setting RDS mode

Whenever RDS is switch on, symbol "AF" appears on the display. Program name is displayed on receiving a RDS station. "AF" starts blinking if the broadcasting signals getting worse. "ALARM" will be displayed when an emergency broadcasting is received; meanwhile sound output level will be adjusted to the preset output level automatically when the volume control is set at minimum.

Regional Program Operation

Press AF/REG button for 2 seconds to switch on or off region mode. Some broadcasting stations change their program from normal broadcasting to regional broadcasting for a certain time period. When region is on, the current listening program remains unchanged. When region is off, it allows the reception to move to the regional station.

Using PTY to Select Program

Press the PTY button repeatedly to select the PTY as follows: PTY MUSIC GROUP => PTY SPEECH GROUP => GROUP PTY OFF.

When the PTY MUSIC GROUP or PTY SPEECH GROUP has been selected, press any of the preset numbered buttons repeatedly to search relevant PTY information. And stop searching if the radio detects the PTY relevant information. If the relevant PTY information is not found, the radio exits the PTY engagement and return to previous normal mode.

When you the select PTY MUSIC GROUP, the preset numbered buttons are shared as follows:

Button	Program
No1/PLAY/PAUSE	POPM, ROCKM

No2/SCN	EASYM, LIGHT M
No3/RPT	CLASSICS, OTHER M
No4/SHF	JAZZ, COUNTRY
No5	NATION M, OLDIES
No6	FOLK M

When you select the PTY SPEECH GROUP, the preset numbered buttons are shared as follows:

Button	Program
No1/PLAY/PAUSE	NEWS, AFFAIRS, INFO
No2/SCN	SPORT, EDUCATE, DRAMA
No3/RPT	CULTURE, SCIENCE, VARIED
No4/SHF	WEATHER, FINANCE, CHILDREN
No5	SOCIAL, RELIGION, PHONE IN
No6	TRAVEL, LEISURE, DOCUMENT

Listening to Traffic Announcement

Press TA button to turn on TA mode and a traffic announcement is transmitted:

This unit is equipped with the latest technology of EON control, so that when you are listening to Radio or CD, if there is any travel announcement from a nearby local station, the radio will already know the frequency of that radio station. Then it will receive the station, turn up the volume, or interrupt the playback of the music for the duration of the announcement. At the end of the announcement the radio will return to its previous state ready for the next announcement.

Local/distance

Press TA button for several seconds, to select EON TA LOCAL/EON TA DISTANCE mode. If you want to receive information from local stations only, select EON TA LOCAL mode. Otherwise, select EON TA DISTANCE mode.

PI, PS, TP, TA, AF, EON

PI: Program Identification Code – for identifying code.

PS: Program Service Name Broadcast – station name data expressed in alphanumeric character.

TP: Traffic Program Identification – for traffic information broadcasting station.

TA: Traffic Announcement Identification – showing traffic information is being transmitted or not.

AF: Alternative frequencies – frequency list of broadcasting station transmitting the same program.

Choose EON TA LOCAL if the transmitter is located near the your receiver, otherwise choose EON TA DISTANCE.

EON: Enhanced Other Networks E EON. Broadcasting information on PI, AF, TP, TA, etc, relating to networks other than the network used for current reception

Other functions

TEL mute

The audio system automatically mutes whenever a call comes in.

Note: This function will not work if a cable is not connected to the car phone.

1. When a call comes in

When a call is received, "TEL CALL" is displayed and all the unit functions are temporarily interrupted.

2. When the call ends

Hang up the phone, "TEL CALL" disappears from the display. The original source (used before the phone call) is returned automatically and the volume restored gradually.

Reset function

RESET button is pressed with either a ballpoint pen or thin metal object. RESET function is to be activated for the following reasons:

- Initial installation of the unit when all wiring is completed.
- All the function buttons do not operate.
- Error symbol on the display.

CD/MP3/WMA operations

This unit can play disc types: CD/CD-R/-RW. Compatible with formats: MP3/WMA.

Loading/Removing the disc

Insert the disc into the disc slot with the printed side facing up; the unit will play the disc automatically. Press EJECT button to eject the disc.

Switching to CD/MP3/WMA mode

When a disc is inserted in the unit, press MOD button to switch to the CD/MP3/WMA mode.

Selecting tracks in single step

Press PREV button to play the current track from the beginning. Press again to skip to the previous track. Press NEXT button to play the following track. Press and hold PREV or NEXT button to fast reverse or fast forward. To resume normal playback, release the button.

Pause playback

Press No1/PLAY/PAUSE button to pause a disc playing. Press it again to resume playback.

Previewing all tracks

Press No2/SCN button to play first several seconds of each track on the current disc. Press it again to stop intro scan and listen to track.

Repeat track

Press No3/RPT button to set the unit to repeat the same track. Press it again to stop the repeat function.

Random playback

Press No4/SHF button to play all tracks on the disc in a random order. Press again to cancel this function.

Selecting directory up/down

Press No5 or No6 button to select directory downward or upward. If the MP3/WMA disc does not contain any directory, these buttons are not functional.

Searching file and directory

Press AMS button repeatedly to cycle through the following search modes: Searching by track number => Searching by directory or file name => Searching from current directory => Searching from root directory.

1. Searching by track number

Press button AMS button once to enter "Searching by track number" mode. The track number will blink on the display. Rotate VOL knob to select the track number. Press BAND/LOUD button to confirm the selection and play the selected song

2. Searching directory or file name

Press AMS button twice to enter "Searching directory or file name" mode. In this search mode you can press the corresponding buttons listed on the table below:

Button	Character	Button	Character
No1/PLAY/PAUSE	A, B, C, 1	MOD	S, T, U, 7
No2/SCN	D, E, F, 2	PREV	V, W, X, 8
No3/RPT	G, H, I, 3	NEXT	Y, Z, space, 9
No4/SHF	J, K, L, 4	DISP or POWER	_ , - , + , 0
No5	M, N, O, 5	Rotate VOL knob	A-Z, 0-9, _ , - , +
No6	P, Q, R, 6		

Press SEL button to confirm entry of each character. Press BAND/LOUD button to search the title. If inputted directory or file name does not exist, "NO FOUND" is shown on the display.

If the selected title is a directory name, the display will show "D-DIR". You can rotate VOL knob to list all songs under this directory and select the title. Press BAND/LOUD to confirm and start playback. Repeat the above steps if the selected title is a directory.

3. Searching from root directory

Press AMS button thrice to enter "Searching from root directory" mode.

Rotate VOL knob to browse file or directory in the root directory. Press BAND/LOUD button to confirm and start playback if the selected title is a file. If the selected title is a directory, the display will show "D-DIR". Rotate VOL knob to list all the files, then press BAND/LOUD button to play the selected file. Repeat the above steps if the selected title is a directory.

4. Searching from current directory

Press AMS for four times to enter "Searching from current directory" mode.

Rotate VOL knob to browse file or directory in current directory. Press SEL button to confirm. If the selected title is a directory, the display will show "D-DIR". Rotate the VOL knob to list all files, then press the BAND/LOUD button to play the selected file. Repeat above steps if the selected title is a directory.

The main unit supports MP3 decoding modes as below:

Standard	Bit rate (kbps)	Supports mode
MPEG1 Audio Layer 3 (44.1kHz)	32, 48, 64, 96, 128, 192, 256, 320	Stereo

Mixed-CD Operations

The unit can play the mixed-CD disc (when disc contains both CD audio tracks and MP3/WMA files). When you insert a mixed-CD disc into the CD slot, it starts to play the CD audio tracks.

If you want to play MP3/WMA files, press No5 button or No6 button, it will search the disc over and start to play the MP3 files.

If you want to return to CD mode, press No5 button or No6 button, it will search the disc over and start to play the CD audio track.

Aux In Operations

This unit has an auxiliary input jack. It is compatible with the audio output from MP3 music players. If you have plugged such a player into the AUX IN jack, press MOD button to switch the input source to AUX.

SD/MMC Card Operations

This unit equipped with you a memory card slot.

Take the front panel off, you will see the card slot. When you insert a SD/MMC card into the memory card slot, the unit will read the SD/MMC card automatically. The unit gives first priority to the latter. If insert a disc into the disc slot while reading the SD/MMC card, the unit will play the disc. You can press MOD button to select SD/MMC mode.

Note:

- The operations of the MP3 file in the SD/MMC memory card is the same as the MP3 operation described in the MP3/WMA disc part.
- When reading the memory card, please don't touch or take out the card.
- If unit can't read the card, please check if the card is in good condition, or take out the card then insert it into the card slot once more.

USB Device Operations

The unit is equipped with a USB port on the front panel of the unit, you can insert a USB flash memory in the USB slot.

When you insert a USB flash memory in the slot, the unit will search the MP3 files and start to play them automatically. The unit gives priority to the latter. After inserting a disc into the disc slot while reading the USB flash memory, the unit will play the disc. You can press MOD button to select USB mode.

Note:

- The operations of the MP3 file in the USB flash memory is the same as the MP3 operation described in the MP3/WMA disc part.
- When reading the USB flash memory, please don't touch or take it out.
- If unit can't read the USB flash memory, please check if the USB flash memory is in good condition, or take out the USB flash memory then insert it into the USB slot once more.
- The main unit can only support the standard USB flash memory.
- USB MP3 player is not a standard which means different brand name or different models have their own standard. So our product cannot support all MP3 players.
- When connecting an MP3 player and there has normal battery in the player (non rechargeable battery), you should remove the battery from the MP3 player then connect it to the USB port. Otherwise, it may cause battery burst.

USB/SD/MMC notes

USB functions (flash memory type) MP3 music play.

SD/ MMC card support, 2in1 (SD/ MMC) support.

USB flash memory.

FAT 12/ FAT 16/ FAT 32 is possible

- FAT 12/16 (dir: 200 support, file: 500 support),

- FAT 32 (dir: 200 support, file: 500 support).

Filename: 32 byte/ Dir name: 32 byte.

Tag (id3tag ver2.0)

- Title/ Artist/ Album: 32 byte support.

Multi card reader not support. USB 2.0 support.

Note:

USB format supports 2.0.

Capacity: from 1 GB.

SD cards brands: Canon, Fuji film, Palm, Motorola, Microsoft, IBM, HP, Compaq, Sharp, Samsung, etc. Capacity: up to 4 GB.

MMC cards brands: Ericsson, Nokia, Motorola, HP, Palm, Sanyo, Microsystems, etc.

Capacity: up to 4 GB.

MP3 overview

Notes on MP3

- MP3 is short for MPEG Audio Layer 3 and refers to an audio compression technology standard.
- This product allows playback of MP3 files on CD-ROM, CD-R or CD-RW discs.
- The unit can read MP3 files written in the format compliant with ISO 9660. However it does not support the MP3 data written by the method of packet write.
- The unit can not read an MP3 file that has a file extension other than “.mp3”.
- If you play a non- MP3 file that has the “.mp3” extension, you may hear some noise.
- In this manual, we refer to what are called “MP3 file” and “folder” in PC terminology as “track” and “album”, respectively.
- Maximum number of directory level is 8, including the root directory. Maximum number of files and folders per disc is 256.
- The unit may not play tracks in the order of Track numbers.
- The unit plays only the audio tracks if a disc contains both audio tracks and MP3 files.
- When playing a disc of 8 kbps or “VBR”, the elapsed playing time in the display window will not be correct and also the intro play may not function properly. “VBR”: Variable Bit Rate.

Notes on creating your own CD-Rs or CD-RWs containing MP3 files

- To enjoy high quality sound, we recommend converting to MP3 files with a sampling frequency of 44.1 kHz and a fixed bit rate of 128 kbps.
- DO NOT store more than 256 MP3 files per disc.
- For ISO 9660 - compliant format, the maximum allowable depth of nested folders is 8, including the root directory (folder).
- When CD-R disc is used, playback is possible only for discs, which have been finalized.
- Make sure that when MP3 CD-R or CD-RW is burned that it is formatted as a data disc and NOT as an audio disc. You should not write non-MP3 files or unneeded folders along with MP3 files on the disc otherwise it takes a long time until the unit starts to play MP3 files.
- With some CD-R or CD-RW media, data may not be properly written depending on their manufacturing quality. In this case, data may not be reproduced correctly. High quality CD-R or

CD-RW disc is recommended. Up to 16 characters are displayed for the name of an Album or a Track. ID3TAG version 1.x is required.

- Note that the unit may not play Tracks in the order that you wrote them to the disc.

ESP function

This unit has the electronic shockproof (ESP) function.

CD disc: 40 seconds

MP3 disc: 120 seconds

WMA disc: 300 seconds

Anti-theft system

This unit is equipped with a slide-down detachable and mask panel. Panel can be detached and taken with you, helping to deter theft.

Handling compact discs

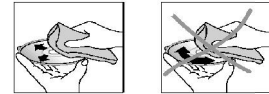
- Dirty, scratched or warped discs may cause skip ping or noise.
- Handle the disc only by the edges. To keep clean do not touch its surface.
- Discs should be stored in their cases after use to avoid scratches.
- Do not expose discs to direct sunlight, high humidity, high temperature or dust.
- Prolonged exposure to extreme temperature can warp the disc (such as leaving the discs in your car during summertime).
- Do not stick or write anything on either side of disc. Sharp writing instruments, or the inks used in some felt-tip pens, may damage its surface.
- Do not touch the unlabeled side. Do not attach any seal, label or data protection sheet to either side of a disc.
- This unit cannot play 3-inch (8cm) CDs.
- Never insert a 3-inch CD contained in the adapter or an irregularly shaped CD. The unit may not be able to eject it, resulting in a malfunction.



Cleaning

Cleaning the cabinet

Wipe with a soft cloth. If the cabinet is very dampen (not dropping wet) the cloth with a weak solution of soapy water, and then wipe clean.



Cleaning discs

Fingerprints should be carefully wiped from the surface of disc with a soft cloth. Unlike conventional records, compact discs have no grooves to collect dust and macroscopic dirt, so gently wiping them with a soft cloth should remove most panicles. Wipe in a straight motion from the center to the edge. Never use thinner benzine, record cleaner or anti static spray on a compact disc. Such chemicals can damage its plastic surface.

Troubleshooting guide

Symptom	Cause	Solution
No power	The car ignition is not on. The fuse is blown.	If the power supply is properly connected to the car accessory switch the ignition key to "ACC". Replace the fuse.
Disc cannot be loaded.	There is a disc inside the unit.	Remove the disc from the unit.
Disc cannot be read.	The disc inserted upside down. Compact disc is extremely dirty or defective. Temperature inside the car is too high.	Insert the compact disc with the label facing upward. Clean the disc or try to play a new one. Cool off until the ambient temperature becomes normal.
No sound	Volume is at the minimum. Wiring is not properly connected.	Adjust volume to a desired level. Check wiring connection.
The operation buttons do not work.	The built-in microcomputer is not operating properly due to noise. Front panel is not properly fixed into its place.	Press the RESET button. Reinstall the front panel.
Sound skips.	The installation angle is more than 30 degrees. The disc is extremely dirty or defective.	Adjust the installation angle to less than 30 degrees. Clean the compact disc or try to play a new one.
The radio does not work, the radio station automatic selection does not work.	The antenna cable is not connected. The signals are too weak.	Insert the antenna cable firmly. Select a station manually.

Specification

General	
Power supply	12 V DC
Current consumption	max. 15 A
Maximum power output	50 Wx4 channels
Fuse	15 A
Dimensions (L x W x H)	178 x 50 x 160 mm
Supported storages:	CD/CD-R/CD-RW/USB/SD/MMC
FM stereo radio	
Frequency range	87.5 - 108.0 MHz
Usable sensitivity	4 μ V
I.F. Frequency	10.7 MHz
Preset stations	18
MW Section	
Frequency range	522 kHz – 1620 kHz
I.F. Frequency:	450 kHz
Preset stations	6
Disc player	
System:	Compact disc audio system
Frequency response:	40 Hz – 18 KHz
Signal to noise CD:	55 dB
Number of channels:	2 stereo
Line out:	CD max 2000 mV

Specifications are subject to change without notice. Dimensions are approximate.

Уважаемый покупатель!

Благодарим Вас за покупку нашего изделия. Для обеспечения безопасности рекомендуется тщательно изучить настоящее руководство перед подключением, эксплуатацией и/или регулировкой изделия, и сохраняйте руководство для использования в будущем.

Содержание

СОДЕРЖАНИЕ	30
МЕРЫ ПРЕДОСТОРОЖНОСТИ.....	31
УСТАНОВКА/ПОДКЛЮЧЕНИЕ.....	32
СХЕМА ПОДКЛЮЧЕНИЯ	36
КОМПЛЕКТ ПОСТАВКИ	37
ОРГАНЫ УПРАВЛЕНИЯ.....	38
ОСНОВНЫЕ ФУНКЦИИ	40
ФУНКЦИИ РАДИО	43
ФУНКЦИЯ RDS	44
ДРУГИЕ ФУНКЦИИ	46
ОПЕРАЦИИ С CD/MP3/WMA ДИСКАМИ.....	48
ОПЕРАЦИИ СО СМЕШАННЫМИ ДИСКАМИ.....	51
ФУНКЦИЯ AUX IN	51
ОПЕРАЦИИ С SD/MMC КАРТАМИ	51
ОПЕРАЦИИ С USB НОСИТЕЛЯМИ	52
ОБЗОР MP3	54
ФУНКЦИЯ ESP	55
СИСТЕМА ПРОТИВ КРАЖИ.....	55
ОБРАЩЕНИЕ С КОМПАКТ-ДИСКАМИ	56
ЧИСТКА И УХОД.....	57
РУКОВОДСТВО ПО УСТРАНЕНИЮ НЕИСПРАВНОСТЕЙ	58
ТЕХНИЧЕСКИЕ ХАРАКТЕРИСТИКИ.....	60

Меры предосторожности

- Тщательно изучите настоящую инструкцию, чтобы ознакомиться с высококачественной аудиосистемой.
- При установке и подключении изделия отключите отрицательную клемму аккумулятора автомобиля.
- При замене предохранителя убедитесь, что вы устанавливаете предохранитель с тем же номиналом.
- Не пытайтесь разбирать изделие. Лазерные лучи, исходящие из блока оптической головки считывания информации с компакт-диска, опасны для глаз.
- Не используйте устройство в местах, где оно может подвергнуться воздействию воды, влаги и пыли.
- Убедитесь, что шпильки или другие посторонние предметы не попали внутрь изделия. Они могут вызвать сбой в работе или стать причиной поражения током или лазерным лучом.
- Если вы ставите автомобиль на стоянку на длительное время в жаркое или холодное время года, подождите пока температура в автомобиле не станет нормальной, перед тем как включать изделие.
- Не открывайте крышки и не проводите ремонт самостоятельно. Обратитесь к дилеру или квалифицированному персоналу.
- Убедитесь, вы отключаете источник питания и антенну, если вы не будете пользоваться системой в течение длительного времени или во время грозы.
- Убедитесь, что вы отключаете источник питания, если обнаружена неправильная работа системы, система издает необычные звуки, запах, выделяет дым или внутрь ее попала жидкость. Проведите квалифицированный технический осмотр системы.
- Прибор разработан таким образом, чтобы отрицательный вывод аккумулятора был подключен к корпусу транспортного средства. Пожалуйста, убедитесь в этом перед установкой.
- Не позволяйте проводам динамиков касаться друг друга при включении прибора. В противном случае, может быть перегружен или выйти из строя усилитель питания.
- Не устанавливайте съемную панель перед подключением кабеля.

Установка/Подключение

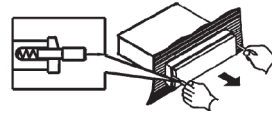
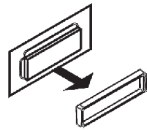
После подключения всего оборудования проверьте правильность подключения. Если Вы не уверены, что сможете квалифицировано выполнить все электрические подключения, обратитесь в специализированный центр, чтобы Вам правильно установили устройство.

Перед тем, как устанавливать устройство, удалите два болта на верхней части.

Перед установкой

1. **Извлеките старое устройство из приборной панели.**

- Удалите съемную рамку.
- Вставьте ключи, входящие в комплект устройства по обеим сторонам устройства до щелчка, как изображено на рисунке ниже. Потяните устройство, чтобы извлечь его. Не отсоединяйте электрические провода на этом этапе демонтажа!



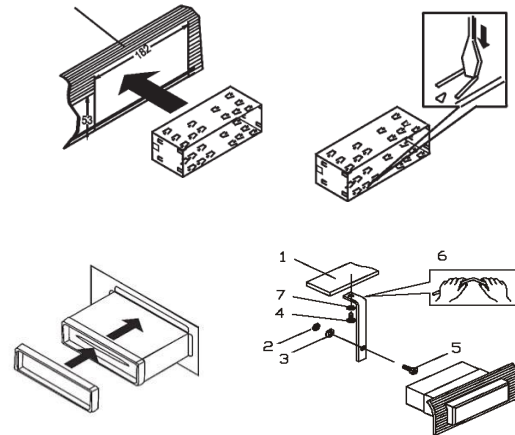
2. **Пометьте полярность электрических соединений динамиков.**

Пометка полярности проводов динамиков поможет при подключении динамиков к Вашему новому устройству. Перед подключением ознакомьтесь со схемой электрических соединений.

- Когда старое устройство находится в статусе воспроизведения, отсоедините проводку одного из динамиков.
- Возьмите отрезок изоляционной ленты и обмотайте его вокруг отсоединенного провода в форме флажка.
- На флажке обозначьте полярность провода динамика (+ и -), а также расположение динамика (правый/левый/передний/задний).
- Повторите эту процедуру для остальных динамиков.
- Пометьте провода питания, заземления и др.

Способ установки А

- После установки кожуха автомагнитолы в приборную панель автомобиля выберите на кожухе те металлические язычки, которые соответствуют толщине приборной панели, и отогните их, чтобы зафиксировать кожух на месте.
- Вставьте пальцы в паз передней панели и удалите ее.
- Вставьте рычаги, входящие в комплект, в пазы по обеим сторонам устройства. Таким образом устройство может быть вставлено в приборную панель или удалено из нее.

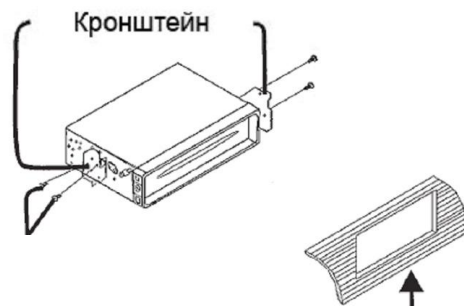
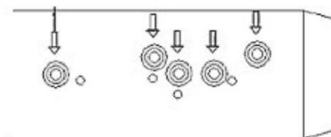


Способ установки Б

Примечание: Внешняя рамка, крючки и крепежная рамка не нужны при описанном выше способе установки. Данное руководство может использоваться только для получения общей информации, для получения более подробной информации обращайтесь к дилеру.

Существует второй способ установки, который предполагает использование винтовых отверстий по бокам устройства и отверстий в монтажном кронштейне.

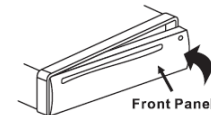
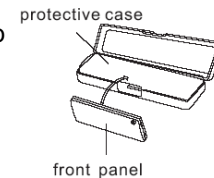
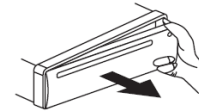
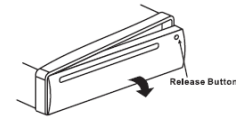
1. Совместите отверстия в кронштейне с отверстиями по бокам устройства. Закрутите 2 винта в данные отверстия. Затем закрепите кронштейны в приборной панели автомобиля.
2. Подключите к устройству необходимое оборудование, используя схему электрических соединений.



Отсоединение передней панели

С целью предотвращения кражи передняя панель может быть снята.

1. Нажмите кнопку OPEN на передней панели.
2. Извлеките переднюю панель.
3. Переднюю панель следует хранить в защитном футляре во избежание повреждений.

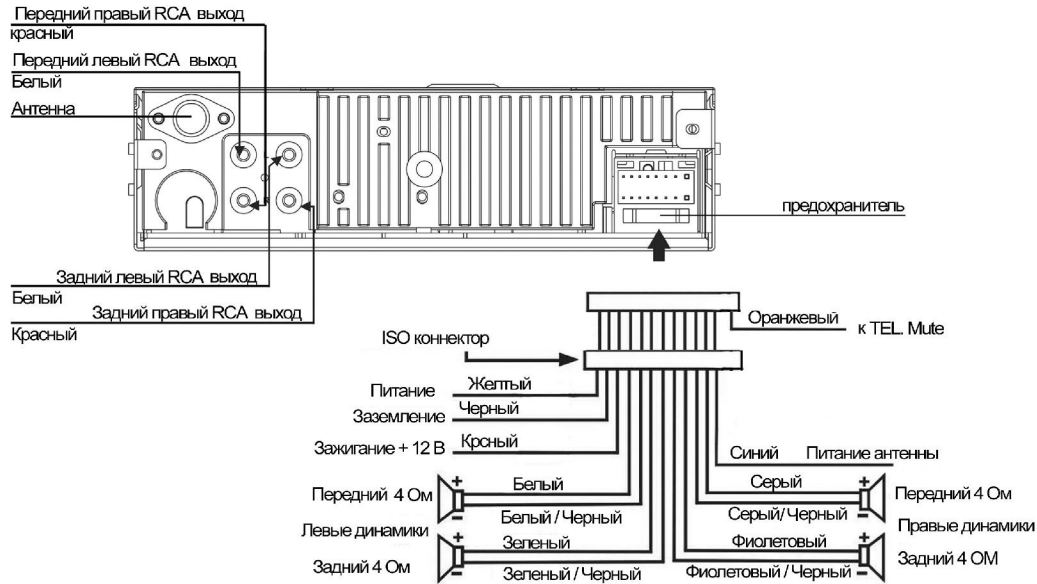


Установка передней панели

Держите переднюю панель кнопками вниз.

Зафиксируйте левую сторону панели в устройстве, вставив левый держатель на устройстве в левое отверстие на панели. Затем слегка сместите панель влево и зафиксируйте правую сторону, вставив правый держатель на устройстве в правое отверстие на панели. Затем надавите на среднюю часть панели.

Схема подключения



Примечания:

- Независимо от вида динамиков, следует использовать динамики с сопротивлением, равным 4 Ом, для уменьшения искажений при повышенной громкости.
- Запрещается соединять провода авто антенны и заземления между собой.

Комплект поставки

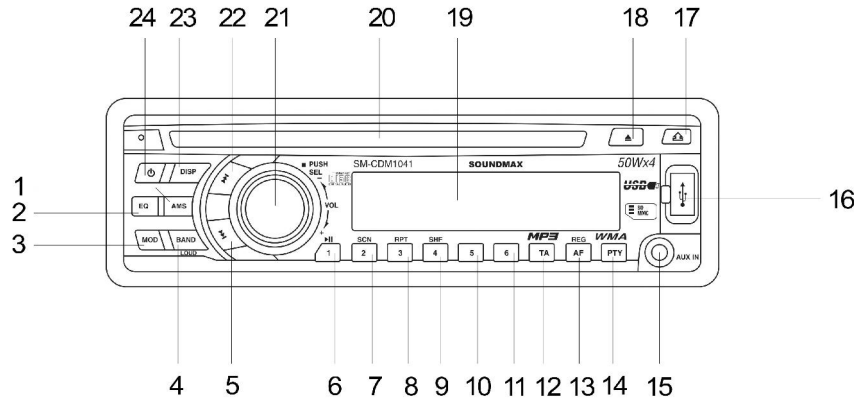
№	Наименование	штук
1	Шестигранная гайка М5 Т (3,5 мм)	1
2	Кожух (0,6 мм)	1
3	Левый ключ (1,0 мм)	1
4	Правый ключ (1,0 мм)	1
5	Металлическая пластина (0,8 мм)	1
6	ISO коннектор	1
7	Плоская шайба Ф=5 мм	1
8	Короб	1
9	Внешняя рамка	1
10	Пружинная шайба Ф=5 мм	2
11	Винт Ф5Х5 мм	4
12	Винт Ф5Х25 мм	1
13	Винт М5 Ф5Х29,3 мм	1
14	Информация для потребителя	1
15	Гарантийный талон	1
16	Инструкция по эксплуатации	1

SOUNDMAX

Органы управления

Передняя панель

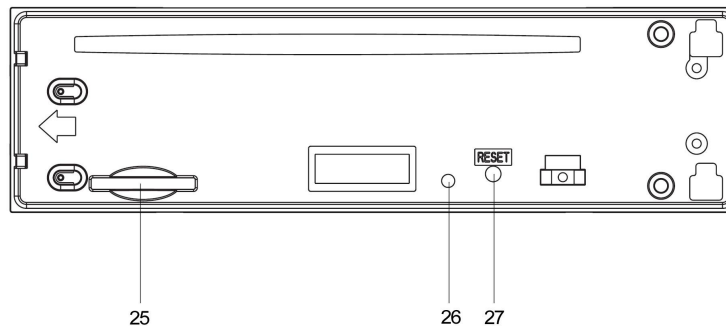
1. Кнопка AMS
2. Кнопка EQ
3. Кнопка MOD
4. Кнопка BAND/LOUD
5. Кнопка PREV
6. Кнопка No 1/PLAY/PAUSE
7. Кнопка No 2/SCN
8. Кнопка No 3/RPT
9. Кнопка No 4/SHF
10. Кнопка No 5
11. Кнопка No 6
12. Кнопка TA
13. Кнопка AF/REG
14. Кнопка PTY
15. Разъем AUX in
16. Слот для USB носителей
17. Кнопка OPEN
18. Кнопка EJECT
19. ЖК дисплей
20. Слот для дисков
21. Регулятор VOL/кнопка SEL
22. Кнопка NEXT
23. Кнопка DISP
24. Кнопка POWER



Внутренняя панель

Нажмите кнопку OPEN, чтобы откинуть переднюю панель.

- 25. Слот для SD/MMC-карт
- 26. Индикатор
- 27. Кнопка RESET



Основные функции

Кнопка включения (POWER)

Нажмите любую кнопку (кроме кнопки OPEN) или вставьте диск в слот, чтобы включить устройство. Нажмите кнопку POWER, чтобы выключить питание.

Регулирование уровня громкости

Вращайте регулятор VOL на передней панели, чтобы отрегулировать уровень громкости.

Регулирование аудио настроек

Нажмите кнопку SEL, на дисплее отобразятся названия параметров: VOL (громкость) => BAS (низкие частоты) => TRB (высокие частоты) => BAL (баланс между левыми/правыми динамиками) => FAD (баланс между задними/передними динамиками). Вращайте регулятор VOL, чтобы отрегулировать каждый параметр.

Нажмите и удерживайте кнопку SEL в течение 2 секунд, чтобы войти в меню. Нажимайте эту кнопку, чтобы выбрать нужный пункт меню: TA SEEK/ALARM => PI SOUND/MUTE => RETUNE L/S => MASK DP/IALL => BEEP 2'nd/ALL/OFF.

- TA (программы о дорожном движении)
Функция TA определяет поведение радиоприемника при включенном режиме TA, если в течение 5 секунд отсутствует передача информации TP (программа движения) радиостанцией, на которую в данный момент настроен радио приемник. Вращайте регулятор VOL, чтобы выбрать один из режимов: TA SEEK или TA ALARM.
- TA SEEK
- Если радиоприемник настраивается на радиостанцию, которая не передает информацию TP (Traffic Program – программы с информацией о дорожном движении) в течение определенного времени - RETUNE SHORT (30 секунд) или RETUNE LONG (90 секунд), радиоприемник перенастраивается на следующую станцию, которая не имеет тот же PI (код идентификации программы), что и предыдущая радиостанция, но передает информацию TP.

- TA ALARM: Когда выбран данный режим, функция автоматической перенастройки радиоприемника не работает. Вместо этого радиоприемник включает звуковое оповещение.
- PI SOUND/MUTE
 - PI SOUND
Когда происходит частое переключение между двумя радиостанциями, то звук этих станций будет одновременно звучать в течение 1 секунды.
 - PI MUTE
- В аналогичной ситуации звук будет приглушен на 1 секунду.
- RETUNE
 - Retune-S или Retune-L – это выбор временного интервала повторного поиска в режиме TA Seek.
 - RETUNE S: короткий, интервал поиска в режиме TA SEEK 30 секунд.
 - RETUNE L: длинный, интервал поиска в режиме TA SEEK 90 секунд.
 - Примечание:** Режим Retune для режима TA активен только для TA SEEK.
- MASK
 - Если автомобиль перемещается в критической зоне, может появиться эффект частого переключения между двумя разными радиостанциями. Радиоприемник устройства имеет специальную процедуру, направленную на снижение данного эффекта. Радиоприемник в таком случае прекращает искать альтернативную частоту AF в течение некоторого времени. В этой ситуации радиоприемник будет маскировать сигнал ошибочно принимаемой радиостанции, в зависимости от выбранного режима: MASK DPI или MASK ALL. Вращайте регулятор VOL, чтобы выбрать один из режимов:
 - MASK DPI:
Маскирует только альтернативные частоты с разными информационными программами.
 - MASK ALL:
Маскирует и информационные программы, и станции, не поддерживающие RDS.
- BEEP
 - BEEP 2nd: устройство подает звуковой сигнал при двойном нажатии кнопок более чем на 1 секунду.
 - BEEP ALL: устройство подает звуковой сигнал при любом нажатии кнопки.
 - BEEP OFF: звуковой сигнал отключен.

Выбор режима

Нажимайте кнопку MOD, чтобы выбрать режим работы устройства: AUX => RADIO => CD => SD => USB.

Контроль уровня низких частот (функция LOUD)

Нажмите и удерживайте кнопку BAND/LOUD, чтобы включить (ON) или отключить (OFF) функцию LOUD. Таким образом Вы настроите уровень громкости басов.

Отображение информации на дисплее

Нажмите кнопку DISP, на дисплее будет отображаться информация:

- В случае приема RDS станции

В режиме РАДИО: PS ->CT ->FREQ ->PTY

В режиме CD: CD ->CT ->(ID3 TAG) ->PS ->FREQ ->PTY

*В случае когда CT и PTY информация не принимается, на дисплее отображается "NO CLOCK" или "NO PTY".

- В случае приема не RDS станции

В режиме РАДИО: "NO CLOCK" ->FREQ->"NO PTY"

В режиме CD -> "NO CLOCK" -> FREQ -> "NO PTY"

Отображение информации происходит в течение нескольких секунд.

Примечание: CT = clock time (время) FREQ = frequency (частота).

Выбор режима эквалайзера

Нажимайте кнопку EQ для выбора нужного режима эквалайзера: FLAT => CLASSICS => POP M => ROCK M => DSP OFF (отключение эквалайзера).

Функции радио

Внимание: Сервис RDS (Система радио данных) доступен не во всех регионах. Имейте в виду, что если услуга RDS не доступна в Вашем регионе, то данная функция не будет работать.

Выбор диапазона

Нажимайте кнопку BAND/LOUD, чтобы выбрать диапазон в режиме радио: FM1, FM2, FM3, MW1.

Автоматическое сохранение станций

Нажмите и удерживайте кнопку AMS более 2 секунд. Начиная с текущей частоты, приемник начнет автоматический поиск радио станций и их сохранение под пронумерованными кнопками.

Поиск радио станции

Нажмите одну из пронумерованных кнопок (1-6), чтобы выбрать радиостанцию, сохраненную в памяти устройства.

Нажмите и удерживайте в течение 2 секунд кнопку PREV/NEXT, на дисплее отобразится надпись «MANUAL», затем нажимайте кнопки PREV/NEXT для выбора станции. Если в течение некоторого времени Вы не нажимаете одну из этих кнопок, устройство вернется к режиму автоматического поиска.

Сканирование программ

Нажмите кнопку AMS для сканирования сохраненных станций.

Сохранение станций

Нажмите кнопки PREV/NEXT, чтобы активировать режим автоматического поиска.

В режиме ручного поиска нажмите кнопки PREV/NEXT, чтобы выбрать станцию. Для сохранения станции в память нажмите и удерживайте 2 секунды одну из пронумерованных кнопок (1-6).

Функция RDS

Нажмите кнопку AF/REG, чтобы включить или отключить функцию RDS.

Выбор режима RDS

Когда функция RDS включена, на дисплее отображается символ «AF». При приеме радиостанции на дисплее отображается название станции RDS. Символ «AF» мигает при ухудшении качества сигнала. При сообщении о дорожном происшествии на дисплее отобразится слово «ALARM»; если громкость установлена на минимум, на время вещания громкость увеличится до предустановленного значения.

Региональные программы

Нажмите и удерживайте кнопку AF/REG в течение 2 секунд, чтобы включить или отключить региональный режим. При желании принимать только местные радиостанции установите режим REG.

Выбор программы PTY

Нажимайте кнопку PTY, чтобы выбрать один из следующих типов программы: PTY MUSIC GROUP (музыкальные программы) => PTY SPEECH GROUP (голосовые программы) => GROUP PTY OFF (отключение).

При выборе PTY MUSIC GROUP или PTY SPEECH GROUP нажимайте одну из пронумерованных кнопок для поиска соответствующей PTY информации. При обнаружении соответствующей информации поиск будет остановлен. Если информация не будет найдена, устройство вернется к предыдущему режиму.

Если Вы выберете PTY MUSIC GROUP, под пронумерованными кнопками будут доступны следующие типы программ:

Кнопка	Программа
No1/PLAY/PAUSE	POPM, ROCKM
No2/SCN	EASYM, LIGHT M

No3/RPT	CLASSICS, OTHER M
No4/SHF	JAZZ, COUNTRY
No5	NATION M, OLDIES
NO6	FOLKM

Если Вы выберете PTY SPEECH GROUP, под пронумерованными кнопками будут доступны следующие типы программ:

Кнопка	Программа
No1/PLAY/PAUSE	NEWS, AFFAIRS, INFO
No2/SCN	SPORT, EDUCATE, DRAMA
No3/RPT	CULTURE, SCIENCE, VARIED
No4/SHF	WEATHER, FINANCE, CHILDREN
No5	SOCIAL, RELIGION, PHONE IN
NO6	TRAVEL, LEISURE, DOCUMENT

Функция TA (поиск программ дорожного движения)

Нажмите кнопку TA, чтобы устройство переключилось на режим поиска программ дорожного движения с местных радио станций.

Во время прослушивания радио или CD диска при появлении каких-либо объявлений с ближайшей радио станции приемник всегда будет знать частоту этой радио станции. Затем приемник будет передавать эту радио станцию, увеличьте громкость или прервите воспроизведение диска для прослушивания объявления. В конце объявления радио вернется к прежнему режиму работы и будет готово принимать следующие радио объявления.

Функция Local (локальный)/distance (отдаленный)

Нажмите и удерживайте кнопку TA в течение нескольких секунд, чтобы выбрать EON TA LOCAL (локальный) или EON TA DISTANCE (отдаленный) режим.

Если вы хотите принимать информацию только местных радиоканалов, выберите режим EON TA LOCAL (локальный), в противном случае выберите режим EON TA DISTANCE (отдаленный).

PI, PS, TP, TA, AF, EON

PI: программа идентификации кода.

PS: программа услуги наименования передаваемой станции – наименование станций отображается в алфавитном порядке.

TP: программа приема информации о дорожном движении – транслируются радиостанции, передающие информацию о дорожном движении.

TA: поиск программ о дорожном движении – показывает информацию о дорожном движении.

AF: альтернативная частота – перечень частот вещательных станций, передаваемых той же программой.

EON: Enhanced Other Networks EON (другие расширенный сети). Включает в себя функцию, представляющую собой команду автоматического переключения радиоустройства на другой канал, в котором передается срочное важное сообщение.

Другие функции

Заглушение звука

Звук аудио системы автоматически заглушается при наличии входящего звонка.

Примечание: Данная функция не работает, если устройство не подключено к телефону.

1. При входящем звонке на дисплее отображается «TEL CALL», и работа устройства временно прерывается.
2. При завершении звонка надпись «TEL CALL» пропадает с дисплея. Устройство возвращается в предыдущий режим работы; предыдущий уровень громкости постепенно восстанавливается.

Функция сброса

Кнопку RESET следует нажимать тонким металлическим предметом (например, шариковой ручкой). Функция сброса используется в следующих случаях:

- Начало работы с устройством, после его подключения.
- Кнопки устройства не работают.
- На дисплее символ ERROR (ошибка).

SOUNDMAX

Операции с CD/MP3/WMA дисками

Устройство способно воспроизводить диски следующих типов: CD/CD-R/-RW. Совместимо со следующими форматами: MP3/WMA.

Загрузка/Удаление диска

Нажмите кнопку OPEN, чтобы откинуть переднюю панель. Вставьте диск в слот стороной с надписью вверх; воспроизведение диска начнется автоматически. Нажмите кнопку EJECT, чтобы извлечь диск из устройства.

Выбор режима CD/MP3/WMA

Когда диск будет загружен в устройство, нажмите кнопку MOD, чтобы переключить в режим CD/MP3/WMA.

Выбор трека

Нажмите кнопку PREV или NEXT, чтобы перейти к предыдущему или следующему треку. На дисплее отобразится номер трека.

Нажмите и удерживайте кнопки PREV или NEXT для перемотки назад или вперед. Для возврата к нормальному воспроизведению отпустите кнопки.

Пауза

Нажмите кнопку No1/PLAY/PAUSE для временной остановки воспроизведения. Для возобновления воспроизведения нажмите кнопку повторно.

Сканирование треков

Нажмите кнопку No2/SCN для воспроизведения первых нескольких секунд каждого трека на диске. Нажмите кнопку повторно, чтобы остановить сканирование и прослушать трек.

Повтор трека

Нажмите кнопку No3/RPT для повторного воспроизведения текущего трека. Для отмены повтора нажмите кнопку еще раз.

Воспроизведение в произвольном порядке

Нажмите кнопку No4/SHF для воспроизведения всех треков на диске в произвольном порядке. Для отмены этой функции нажмите кнопку повторно.

Выбор папки

Нажимайте кнопки No5 или No6 для выбора папки вверх или вниз. Если MP3/WMA диск не содержит папок, данные кнопки не функциональны.

Поиск файлов и папок

Нажимайте кнопку AMS для выбора одного из следующих режимов поиска: Поиск по номеру трека => Поиск по имени файла или папки => Поиск в текущей папке => Поиск в корневой папке.

1. Поиск по номеру трека

Нажмите однократно кнопку AMS, чтобы войти в режим поиска по номеру трека. На дисплее будет мигать номер трека. Вращайте регулятор VOL, чтобы выбрать номер трека. Для подтверждения выбора и начала воспроизведения нажмите кнопку BAND/LOUD.

2. Поиск по имени файла или папки

Нажмите дважды кнопку AMS, чтобы войти в режим поиска по имени файла или папки. В данном режиме нажимайте кнопки, которым соответствуют символы, приведенные в таблице ниже:

Кнопка	Символ	Кнопка	Символ
No1/PLAY/PAUSE	A, B, C, 1	MOD	S, T, U, 7
No2/SCN	D, E, F, 2	PREV	V, W, X, 8
No3/RPT	G, H, I, 3	NEXT	Y, Z, пробел, 9
No4/SHF	J, K, L, 4	DISP или POWER	_, -, +, 0
No5	M, N, O, 5	Вращайте VOL	A-Z, 0-9, _, -, +

N06	P, Q, R, 6		
-----	------------	--	--

Нажимайте кнопку SEL для подтверждения каждого введенного символа. Для поиска имени нажмите кнопку BAND/LOUD. Если введенного имени не существует, на дисплее отобразится надпись «NO FOUND».

Если введенное имя является именем папки, на дисплее отобразится «D-DIR». Вращайте регулятор VOL для обзора перечня всех файлов в данной папке и выбора нужного файла. Для подтверждения выбора и начала воспроизведения нажмите кнопку BAND/LOUD. Если выбранное имя является именем папки, повторите вышеуказанные действия.

3. Поиск в корневой папке

Нажмите трижды кнопку AMS, чтобы войти в режим поиска в корневой папке.

Вращайте регулятор VOL для обзора файла или папки в корневой папке. Если выбранное имя является именем файла, нажмите кнопку BAND/LOUD для подтверждения и начала воспроизведения. Если выбранное имя является именем папки, на дисплее отобразится «D-DIR». Вращайте регулятор VOL для обзора перечня всех файлов в данной папке и выбора нужного файла, затем нажмите кнопку BAND/LOUD для воспроизведения выбранного файла. Если выбранное имя является именем папки, повторите вышеуказанные действия.

4. Поиск в текущей папке

Нажмите четыре раза кнопку AMS, чтобы войти в режим поиска в текущей папке.

Вращайте регулятор VOL для обзора файла или папки в текущей папке. Нажмите кнопку SEL для подтверждения. Если выбранное имя является именем папки, на дисплее отобразится «D-DIR». Вращайте регулятор VOL для обзора перечня всех файлов в данной папке и выбора нужного файла, затем нажмите кнопку BAND/LOUD для воспроизведения выбранного файла. Если выбранное имя является именем папки, повторите вышеуказанные действия.

Устройство поддерживает следующие режимы декодирования формата MP3:

Стандарт	Скорость передачи битов (кб/с)	Режим
MPEG1 Audio Layer 3 (44.1 КГц)	32, 48, 64, 96, 128, 192, 256, 320	Сtereo

Операции со смешанными дисками

Устройство может воспроизводить смешанные диски (т.е. диски, содержащие как CD аудио треки, так и MP3/WMA файлы).

При загрузке смешанного диска в слот устройство начнет воспроизводить CD аудио треки.

Если Вам нужно воспроизведение MP3/WMA файлов, нажмите кнопку No5 или No6, устройство выполнит поиск на диске и воспроизведение MP3 файлов.

Если Вы хотите вернуться к воспроизведению CD треков, нажмите кнопки No5 или No6, устройство выполнит поиск на диске и воспроизведение CD аудио треков.

Функция AUX In

Устройство оснащено дополнительным AUX разъемом. Оно совместимо с MP3 плеерами. При подключении MP3 плеера к устройству через AUX разъем нажмите кнопку MOD для переключения устройства в режим AUX.

Операции с SD/MMC картами

Данное устройство оснащено слотом для карт памяти.

Снимите переднюю панель для доступа к слоту для карт памяти. При загрузке SD/MMC карты памяти в слот устройство начнет считывать информацию с карты автоматически. Устройство считывает информацию с последнего загруженного носителя. Т.о., если Вы вставите диск при загруженной SD/MMC карте, устройство начнет воспроизведение диска. В этом случае для переключения в режим SD/MMC нажмите кнопку MOD.

Примечание:

- Операции с файлами в режиме SD/MMC аналогичны операциям, описанным в параграфе «Операции с CD/MP3/WMA дисками/SD картами/USB устройствами».
- Во время чтения карты памяти не извлекайте ее из устройства.
- Если устройство не читает карту памяти, проверьте ее исправность и попробуйте загрузить ее повторно.

Операции с USB носителями

Устройство оснащено слотом для USB носителей, расположенным на передней панели.

При загрузке USB носителя в слот устройство начнет автоматически воспроизводить MP3 файлы. Устройство считывает информацию с последнего загруженного носителя. Т.о., если Вы вставите диск при загруженном USB носителе, устройство начнет воспроизведение диска. В этом случае для переключения в режим USB нажмите кнопку MOD.

Примечания:

- Операции с файлами в режиме USB аналогичны операциям, описанным в параграфе «Операции с CD/MP3/WMA дисками/SD картами/USB устройствами».
- Во время чтения USB носителя не извлекайте его из устройства.
- Если устройство не читает USB носитель, проверьте его исправность и попробуйте загрузить его повторно.
- Устройство поддерживает только стандартные USB устройства.
- MP3 плееры могут иметь разные стандарты. Данное устройство может не поддерживать некоторые стандарты.
- При подключении к устройству MP3 плеера, не имеющего неперезаряжаемой батарейки, необходимо извлечь батарейку из плеера, и только затем подключить его к устройству. В противном случае может произойти взрыв батарейки.

Примечания по USB/SD/MMC разъемам

Воспроизведение MP3 файлов с USB карт (флеш-память).

Поддержка карт памяти SD/ MMC, 2в1 (SD/MMC).

Поддержка USB флеш-карты.

Поддержка FAT 12/ FAT 16/ FAT 32

- FAT 12/ 16 (поддержка 200 папок, 500 файлов),

- FAT 32 (поддержка 200 папок, 500 файлов).

Имя файла: 32 байта/ имя папки: 32 байта.

- Тэг (id3tag версия 2.0)

Имя/ Исполнитель/ Альбом: поддержка 32 байтов.

Многофункциональный карт-ридер не поддерживается.

Поддержка формата USB 2.0.

Примечание:

USB: Поддержка формата USB 2.0. Емкость: от 1 Гб.

SD: Поддержка брендов SD карт памяти: Cannon, Fuji film, Palm, Motorola, Microsoft, IBM, HP, Compaq, Sharp, Samsung, и т. д. Емкость: до 4 Гб.

MMC: Поддержка брендов MMC карт памяти: Ericsson, Nokia, Motorola, HP, Palm, Sanyo, Microsystems, и т.д. Емкость: до 4 Гб.

Обзор MP3

Замечания по MP3

- MP3 это краткое обозначение аудио слоя MPEG 3 и относится к стандарту технологии сжатия звука.
- Данное изделие позволяет воспроизводить файлы MP3 на дисках CD-ROM, CD-R или CD-RW.
- Изделие может считывать файлы MP3, записанные в формате, соответствующем ISO 9660. Однако оно не поддерживает данные MP3, записанные методом пакетной записи.
- Изделие не может считывать файлы MP3, которые имеют расширение файла, отличающееся от «.mp3».
- Если вы воспроизводите не MP3 файл, который имеет расширение «.mp3», вы можете слышать некоторые шумы.
- В данном руководстве мы рассматриваем файлы, называемые «файлами MP3» и «папкой», а в технологии PC «дорожкой» и «альбомом» соответственно.
- Максимальное количество уровней директории равно 8, включая корневую директорию. Максимальное количество файлов и папок на диске 256.
- Изделие может не воспроизводить дорожки в последовательном порядке.
- Изделие воспроизводит только аудио треки, если диск содержит как аудио треки, так и файлы MP3.
- При воспроизведении диска 8 килобит или VBR, истекшее время воспроизведения в окне дисплея будет неправильным, а также ознакомительное воспроизведение может не действовать надлежащим образом. VBR: Переменная скорость передачи битов.

Замечание по созданию собственных CD-R или CD-RW, содержащих файлы MP3

- Для получения высокого качества звука мы рекомендуем преобразовывать файлы MP3 с эталонной частотой 44,1 кГц и фиксированным битрейтом 128 кбит/сек. Не сохраняйте более 256 файлов MP3 на диске.
- Для формата, совместимого с ISO 9660, максимально допустимая глубина вложенных папок равняется 8, включая корневую директорию (папку).

- При использовании диска CD-R воспроизведение возможно только для дисков, которые были закончены. Убедитесь, что при записи MP3 CD-R или CD-RW были отформатированы как диски данных, а не как аудио диски.
- Вы не должны записывать не-MP3 файлы или ненужные папки вместе с файлами MP3 на диск, в противном случае потребуется много времени, пока изделие начнет воспроизводить файлы MP3.
- На некоторых CD-R или CD-RW данные могут не быть записаны надлежащим образом в зависимости от качества их производства. В этом случае данные могут быть воспроизведены не надлежащим образом. Рекомендуются диски CD-R или CD-RW высокого качества.
- Имя альбома или композиции может содержать до 16 символов. Необходима версия 1.x ID3TAG.
- Помните, что изделие может не воспроизводить треки в том порядке, в котором они записаны на диске.

Функция ESP

Данное устройство оснащено функцией Электронной системы стабилизации (ESP).

Для CD дисков: 40 секунд.

Для MP3 дисков: 120 секунд.

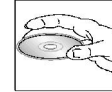
Для WMA дисков: 300 секунд.

Система против кражи

Данное устройство оснащено откидывающейся съемной панелью. С целью предотвращения кражи панель можно снять с устройства и хранить вне автомобиля.

Обращение с компакт-дисками

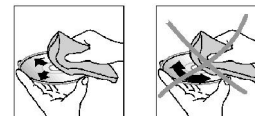
- Грязные, поцарапанные или погнутые диски могут вызвать искажение звука или шумы
- Держите диск только за края (как показано на рисунке). Чтобы обеспечить чистоту, не прикасайтесь к его поверхности.
- Диски должны храниться в их чехлах после использования, чтобы не поцарапать их поверхность.
- Не подвергайте диски действию прямого солнечного света, повышенной влажности, повышенным температурам или действию пыли.
- Продолжительное влияние предельных температур может изогнуть диск (например, пребывание дисков в автомобиле в летнее время).
- Не царапайте и не пишите что-либо на любой стороне диска. Острые пишущие инструменты или чернила, используемые в них, могут повредить поверхность диска.
- Не прикасайтесь к стороне, не имеющей маркировки.
- Не прикрепляйте какую-либо печать, этикетку или лист предохранения данных к любой стороне диска.
- Данное изделие не может воспроизводить CD размером 3 дюйма (8 см).
- Никогда не вставляйте CD размером 3 дюйма, установленный в адаптер, или CD неправильной формы. Изделие не сможет выбросить его, что приведет к сбою.



Чистка и уход

Чистка корпуса

Протирайте мягкой тканью. Если корпус очень загрязнен, не мочите его; используйте ткань, слегка смоченную мыльным раствором, и затем вытрите корпус сухой тканью.



Чистка дисков

Отпечатки пальцев должны быть тщательно стерты с поверхности диска мягкой тканью. В отличие от обычных пластинок, компакт-диски не имеют канавок для сбора пыли и микроскопических частиц грязи, поэтому осторожно вытирайте их мягкой тканью, чтобы убрать частицы грязи. Вытирайте прямолинейным движением от центра к краю.

Никогда не используйте растворитель, бензин, очиститель пластинок или антистатический аэрозоль для чистки дисков. Такие химические вещества могут повредить его пластиковые поверхности.

Руководство по устранению неисправностей

Неисправность	Причина	Решение
Нет питания	Зажигание машины не включено. Сгорел предохранитель.	Если источник питания подключен к выключателю машины, установите ключ зажигания в положение «АСС». Замените предохранитель.
Невозможно загрузить диск	В плеер установлен диск.	Удалите диск из плеера, затем установите новый.
Устройство не может считать диск	Диск установлен верхней стороной вниз. Компакт диск загрязнен или имеет дефект. Температура внутри машины очень высокая.	Установите компакт диск стороной с этикеткой вверх. Очистите диск или установите новый. Подождите, пока температура не станет нормальной.
Нет звука	Звук установлен на минимум. Кабель не подключен надлежащим образом.	Отрегулируйте звук до необходимого уровня. Проверьте подключение кабеля.
Не работают кнопки	Встроенный микрокомпьютер не работает надлежащим образом из-за шумов. Передняя панель не установлена на свое место.	Нажмите кнопку RESET. Повторно установите переднюю панель.
Звук пропадает	Угол установки более 30 градусов. Компакт диск загрязнен или имеет дефект.	Отрегулируйте угол установки, установив его менее 30 градусов. Очистите диск или установите новый.

Радио не работает. Не работает автоматический выбор станции	Антенный кабель не подключен. Сигналы слишком слабы.	Вставьте антенный кабель надежно. Выберите станцию вручную.
--	---	---

SOUNDMAX

Технические характеристики

Общие	
Источник питания	12 В, постоянный ток
Потребляемый ток	макс. 15 А
Максимальная выходная мощность	50 Вт x 4 канала
Предохранитель	15 А
Размеры (Д x Ш x В)	178 x 50 x 160 мм
Поддерживаемые носители	CD/CD-R/CD-RW/USB/SD/MMC
Сtereo FM радио	
Частотный диапазон	87,5 – 108,0 МГц
Используемая чувствительность	4 мкВ
Промежуточная частота	10,7 МГц
Память	18 станций
MW радио	
Частотный диапазон	522 – 1620 кГц
Промежуточная частота	450 кГц
Память	6 станций
Проигрыватель дисков	
Система	Дисковая аудио система
Частотный диапазон	40 Гц – 18 КГц
Отношение сигнал-шум	55 дБ
Количество каналов	2 стерео
Линейный выход	CD макс. 2000 мВ

Технические характеристики могут быть изменены заводом-изготовителем без предварительного уведомления.

Указанные геометрические размеры имеют приблизительные значения.



АИ49

Free Manuals Download Website

<http://myh66.com>

<http://usermanuals.us>

<http://www.somanuals.com>

<http://www.4manuals.cc>

<http://www.manual-lib.com>

<http://www.404manual.com>

<http://www.luxmanual.com>

<http://aubethermostatmanual.com>

Golf course search by state

<http://golfingnear.com>

Email search by domain

<http://emailbydomain.com>

Auto manuals search

<http://auto.somanuals.com>

TV manuals search

<http://tv.somanuals.com>