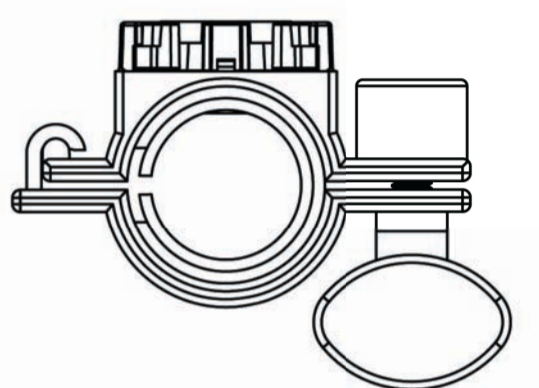
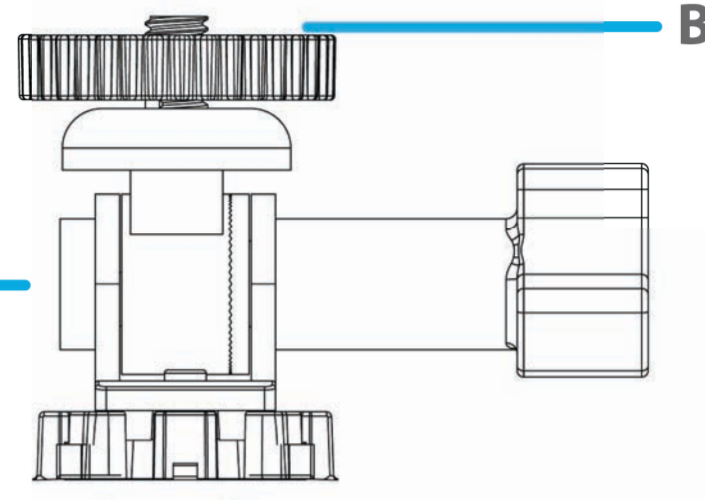
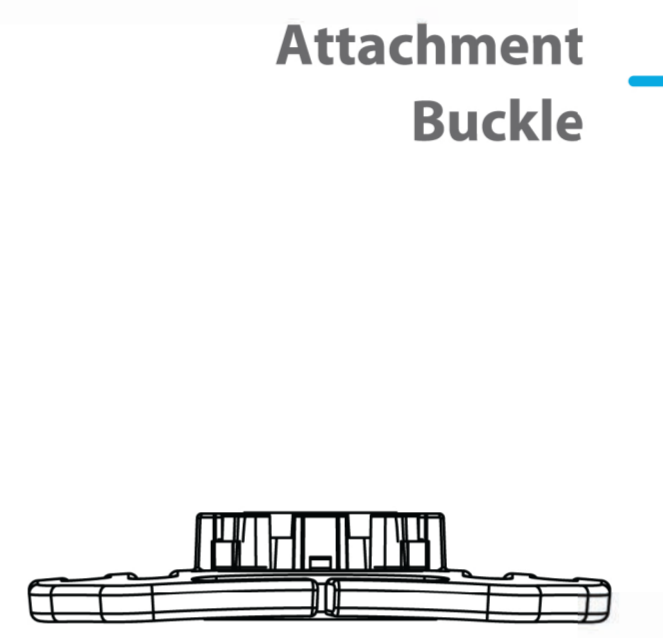
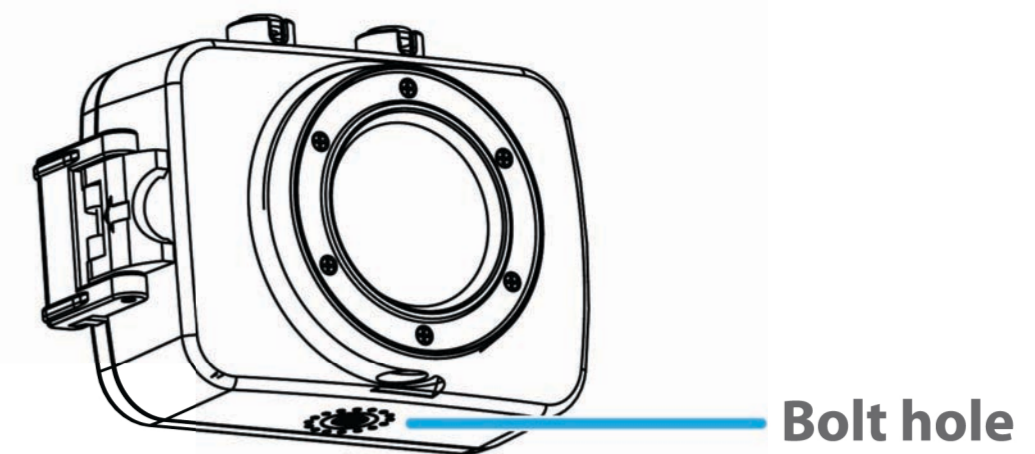
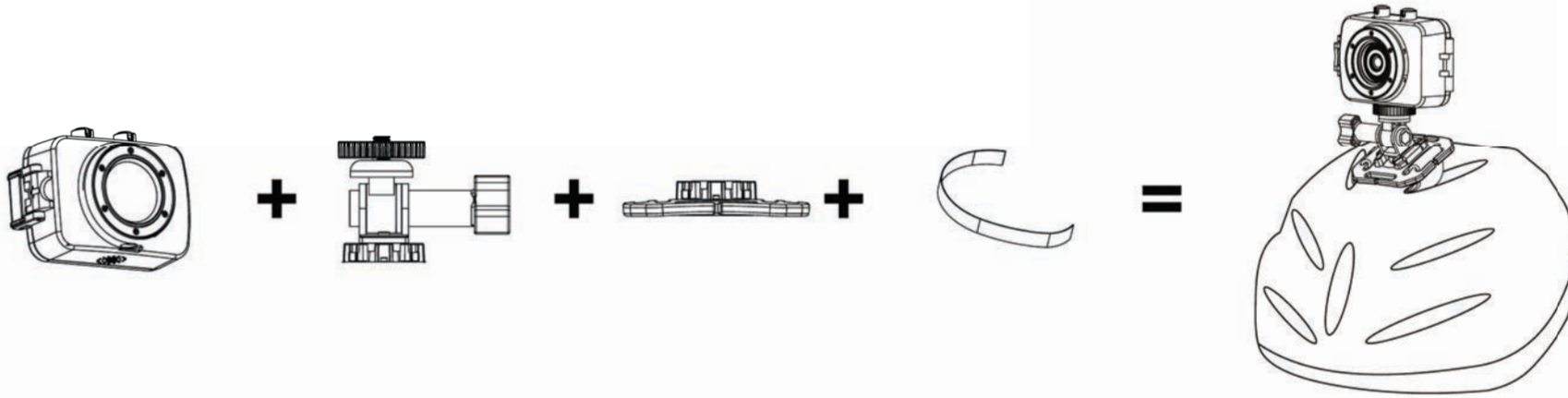


System Settings Options		Picture Mode Settings Options		Video Mode Settings Options		Playback Mode Settings Options	
<b>AUTO REVIEW</b>	Set time of review after picture is taken (off, 1 sec, 3 sec).	<b>RESOLUTION</b>	TM (1280x960) / SM (2048x1536) / BM (2592x1944)	<b>MOVIE SIZE</b>	HD 1280x720 / 640x480 / 320x240	<b>LOCK</b>	Lock one or all of your picture and video files. When locked the files will not be deleted.
<b>POWER FREQUENCY</b>	50Hz / 60Hz The Camera's default setting is 60Hz for the USA and North America.	<b>QUALITY</b>	The Camera's default setting is 60fps for the USA and North America.	<b>RECORDING INTERVAL</b>	Select OFF, 1, 3, or 5 minutes.	<b>DELETE</b>	"One" (Delete the currently displayed video or picture) or "All"
<b>POWER SAVE</b>	Select off, 1, 3, or 5 minutes. To conserve battery power, the camera will shut off if no buttons are pressed within the selected time.	<b>METERING</b>	Center / Multi / Spot	<b>METERING</b>	Center / Multi / Spot	<b>SLIDE SHOW</b>	Start a slide show, and adjust the slide show settings.
<b>DATE &amp; TIME</b>	Set the camera's date and time.	<b>WHITE BALANCE</b>	Auto / Daylight / Cloudy / Fluorescent / Tungsten	<b>WHITE BALANCE</b>	Auto / Daylight / Cloudy / Fluorescent / Tungsten		
<b>LANGUAGE</b>	Set the camera's language.	<b>EXPOSURE</b>	Adjust the exposure	<b>EFFECT</b>	NOR / B&W / SEPIA / NEGATIVE / RED / GREEN / BLUE		
<b>FORMAT</b>	Erase all data on the SD card.	<b>DRIVER MODE</b>	"Off" (disables the self timer), "2" or "10" second options (self timer), "Burst" (3 frame shot)	<b>DATE STAMP</b>	OFF / DATE / DATE & TIME		
<b>RESET ALL</b>	Reset the camera's settings to factory default.	<b>EFFECT</b>	Normal / B&W / Sepia / Negative / Red / Green / Blue				
		<b>DATE STAMP</b>	OFF / DATE / DATE & TIME				

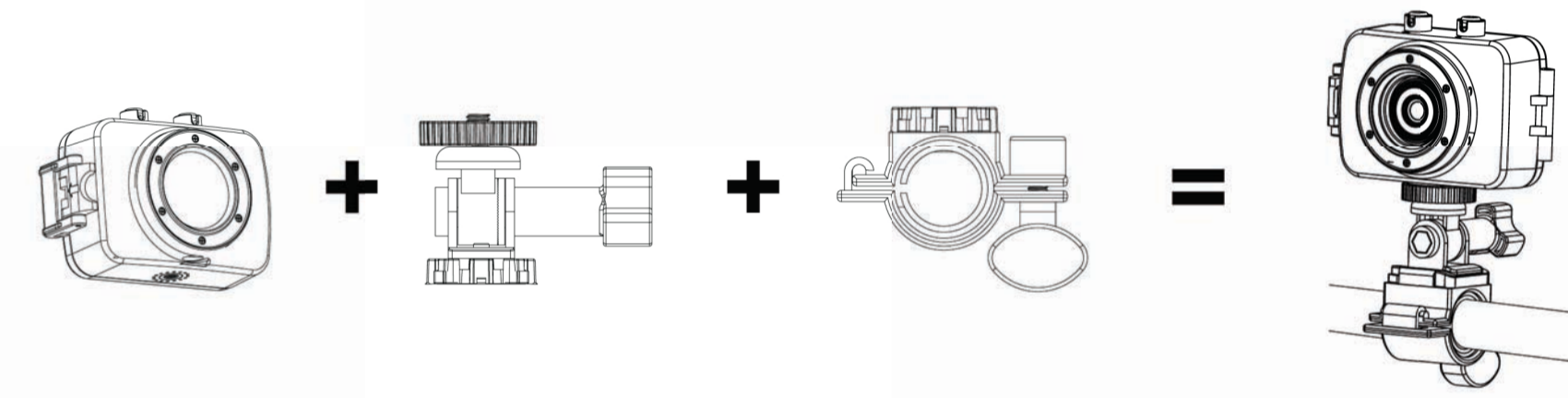
# Mount Kit Assembly



## Helmet Mount



## Bike Mount

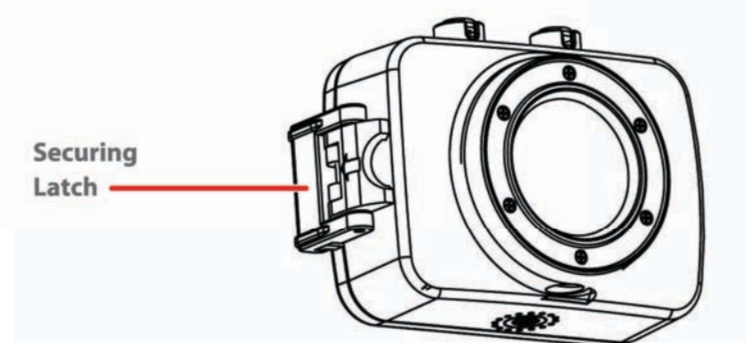


### Waterproof case

**Assembling camera into case**  
Your action cam comes with a water proof case for underwater action and added durability. To assemble your camera to the case, follow the instructions below:

1. Open the latch on the water proof case.
2. Insert the camera lens forward into the case.
3. Close the door and secure the latch.

**NOTE:** Please make sure latch is secure and that all seals are in place to ensure no water can seep in.



### Bike Mount Assembly

**Assembling camera to bike mount**  
Your action cam includes the necessary accessories for bike action. To assemble the camera to the bike mount, follow the instructions below:

1. Install the bike mount onto your bikes handle bars by putting the bottom half of your bike mount onto the handle bar and connecting it to the top part of the mount.
2. Use the included screw to secure the bike mount, tighten till the bike mount is secure.
3. With the camera assembled to the water proof case or included shield align the bolt on the attachment buckle to the hole on your waterproof case or shield and turn. When the desired position is reached, you can use the wheel on the bottom end of the bolt to tighten.
4. Connect the attachment buckle to the bike mount by pinching both sides on the attachment buckle and sliding it on to the mount.

**NOTE:** You must either use the waterproof case or shield to assemble the camera to the attachment buckle.

### Helmet assembly

**Assembling camera to helmet mount**  
Your action cam includes the necessary accessories for helmet action. To assemble the camera to the helmet mount, follow the instructions below:

1. With the camera assembled to the water proof case or included shield align the bolt on the attachment buckle to the hole on your waterproof case or shield and turn. When the desired position is reached, you can use the wheel on the bottom end of the bolt to tighten.
2. Connect the attachment buckle to the helmet mount by pinching both sides on the attachment buckle and sliding it on to the mount.
3. Insert the helmet strap through the slots on the side of the helmet mount and velcro the mount through the holes on your helmet.

**NOTE:** You must either use the waterproof case or shield to assemble the camera to the attachment buckle.

### FCC information

**FCC Part 15:** This device complies with Part 15 of the FCC Rules. Operation is subject to the following two conditions:  
(1) this device may not cause harmful interference, and  
(2) this device must accept any interference received, including interference that may cause undesired operation.  
**Warning:** Changes or modifications to this equipment not expressly approved by the party responsible for compliance could void the user's authority to operate the equipment.  
**NOTE:** This equipment has been tested and found to comply with the requirements for a Class B digital device under Part 15 of the Federal Communications Commission (FCC) rules. These requirements are intended to provide reasonable protection against harmful interference in a residential installation. This equipment generates, uses and can radiate radio frequency energy and, if not installed and used in accordance with the instructions, may cause harmful interference to radio communications.  
However, there is no guarantee that interference will not occur in a particular installation. If this equipment does cause harmful interference to radio or television reception, which can be determined by turning the equipment off and on, the user is encouraged to try to correct the interference by one or more of the following measures:  
• Reorient or relocate the receiving antenna.  
• Increase the separation between the equipment and receiver.  
• Connect the equipment into an outlet on a circuit different from that to which the receiver is connected.  
• Consult the dealer or an experienced radio/TV technician for help.

### Limited Warranty

In the unlikely event that this product is defective, or does not perform properly, you may within ninety (90) days from your original date of purchase return it to the authorized service center for repair or exchange.  
**TO OBTAIN WARRANTY SERVICE:**  
• Provide proof of the date of purchase within the package (Dated bill of sale).  
• Prepay all shipping costs to the authorized service center, and remember to insure your return.  
• Include a return shipping address (no P.O. Boxes), a telephone contact number, and the defective unit within the package.  
• Describe the defect or reason you are returning the product.

Your product will be repaired or replaced, at our option, for the same or similar model of equal value if examination by the service center determines this product is defective. Products received damaged as a result of shipping will require you to file a claim with the carrier.  
The shipping address of the authorized service center is:  
**Southern Telecom, Inc.**  
Attention: Customer Service (2nd Floor)  
14-C 53rd Street  
Brooklyn, NY 11232  
Should you have any questions or problems concerning this product, please contact our customer service department at:  
**Customer Support:**  
☎ 1-877-768-8483 (Toll Free)  
✉ cs@southerntelecom.com  
Monday - Thursday: 9AM - 5PM (EST)  
Friday: 9AM - 3PM (EST)  
www.southerntelecom.com

**Warranty service not provided**  
This warranty does not cover damage resulting from accident, misuse, abuse, improper installation or operation, lack of reasonable care, and unauthorized modification. This warranty is voided in the event any unauthorized person opens, alters or repairs this product. All products being returned to the authorized service center for repair must be suitably packaged.  
**Limitation of Warranty:**  
- THE WARRANTY STATED ABOVE IS THE ONLY WARRANTY APPLICABLE TO THIS PRODUCT. ALL OTHER WARRANTIES, EXPRESS OR IMPLIED (INCLUDING ALL IMPLIED WARRANTIES OF MERCHANTABILITY OR FITNESS FOR A PARTICULAR PURPOSE) ARE HEREBY DISCLAIMED. NO VERBAL OR WRITTEN INFORMATION GIVEN BY A.T. INC.'S AGENTS, OR EMPLOYEES SHALL CREATE A GUARANTEE OR IN ANY WAY INCREASE THE SCOPE OF THIS WARRANTY.  
- REPAIR OR REPLACEMENT AS PROVIDED UNDER THIS WARRANTY IS THE EXCLUSIVE REMEDY OF THE CONSUMER. A.T. INC. SHALL NOT BE LIABLE FOR INCIDENTAL OR CONSEQUENTIAL DAMAGES RESULTING FROM THE USE OF THIS PRODUCT OR ARISING OUT OF ANY BREACH OF ANY EXPRESS OR IMPLIED WARRANTY ON THIS PRODUCT. THIS DISCLAIMER OF WARRANTIES AND LIMITED WARRANTY ARE GOVERNED BY THE LAWS OF THE STATE OF NEW YORK, EXCEPT TO THE EXTENT PROHIBITED BY APPLICABLE LAW, ANY IMPLIED WARRANTY OF MERCHANTABILITY OR FITNESS FOR A PARTICULAR PURPOSE ON THIS PRODUCT IS LIMITED TO THE APPLICABLE WARRANTY PERIOD SET FORTH ABOVE.  
Some states do not allow the exclusion nor limitation of incidental or consequential damages, or limitations on how long an implied warranty lasts so the above limitations or exclusions may not apply to you. This warranty gives you specific legal rights, and you also may have other rights that vary from state to state.

## Free Manuals Download Website

<http://myh66.com>

<http://usermanuals.us>

<http://www.somanuals.com>

<http://www.4manuals.cc>

<http://www.manual-lib.com>

<http://www.404manual.com>

<http://www.luxmanual.com>

<http://aubethermostatmanual.com>

Golf course search by state

<http://golfingnear.com>

Email search by domain

<http://emailbydomain.com>

Auto manuals search

<http://auto.somanuals.com>

TV manuals search

<http://tv.somanuals.com>