

REQUIRED TOOLS AND MATERIALS:



• 2 People



• Tape Measure



• Wood Board (scrap)



• Sawhorse or Support Table

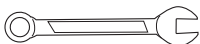


• Hammer



• #2 or #3 Phillips Screwdriver

• (2 each) Wrenches and/or Socket Wrenches and Sockets (Deep-Well Sockets are Recommended).



1/2" 9/16" 3/4"

AND/OR



1/2" 9/16" 3/4"

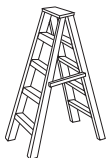


• Extension is Recommended.

• Garden Hose or Sand

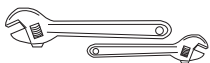


• Step Ladder 8ft. (2.4 m)



OPTIONAL TOOLS AND MATERIALS:

• Large and Small Adjustable Wrenches



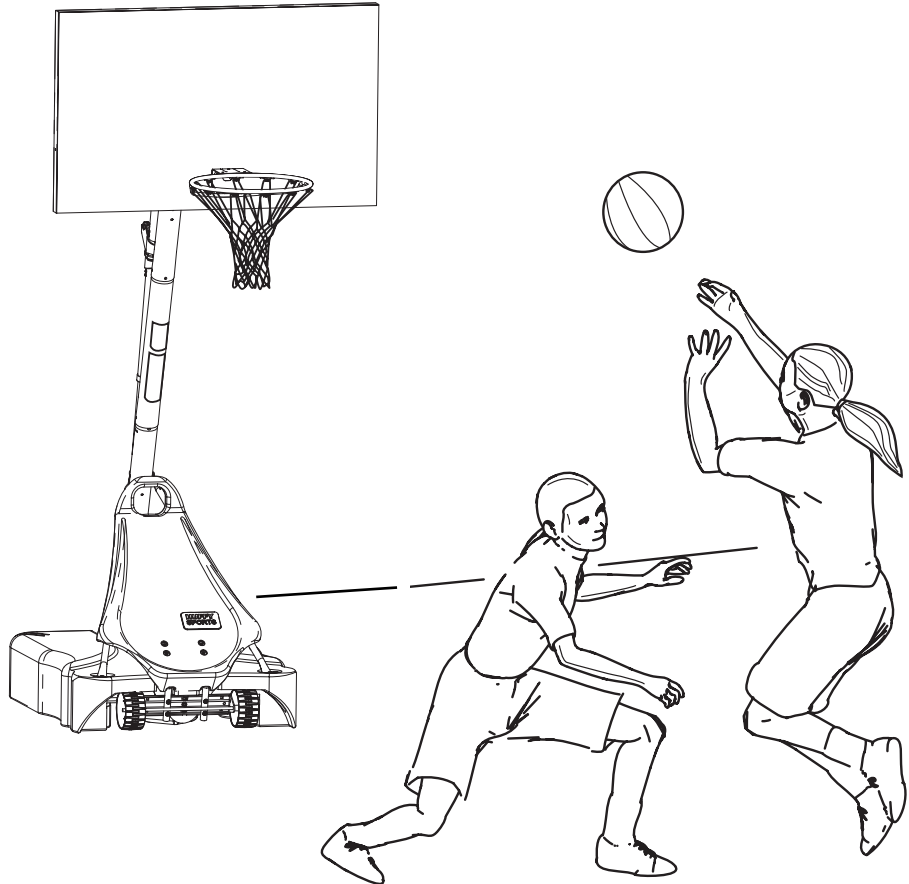
HUFFY[®]SPORTS

A DIVISION OF RUSSELL CORPORATION

Universal Elevator Mount Owners Manual

Customer Service Center

• N53 W24700 South Corporate Circle • Sussex, WI 53089 • U.S.A.



! WARNING!

READ AND UNDERSTAND OPERATOR'S MANUAL BEFORE USING THIS UNIT.

FAILURE TO FOLLOW OPERATING INSTRUCTIONS COULD RESULT IN INJURY OR DAMAGE TO PROPERTY.

Write Model Number From Box Here:

Toll-Free Customer Service Number for U.S: 1-800-558-5234,

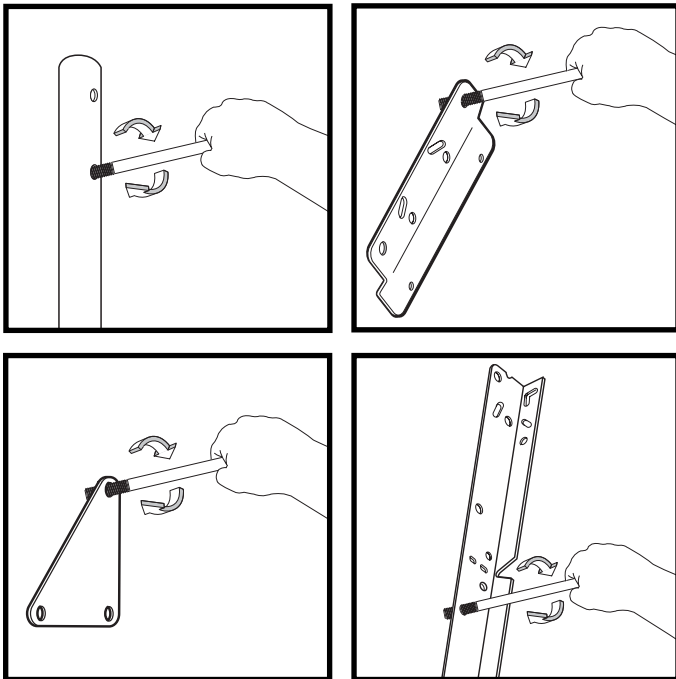
For Canada: 1-800-284-8339,

For Europe: 00 800 555 85234 (Sweden: 009 555 85234),

For Australia: 1-800-632 7921

Internet Address: <http://www.huffysports.com>

BEFORE YOU START!



To ensure optimal playability of backboard system, a close tolerance fit between the elevator components and hardware is required. Test-fit large bolts into large holes of elevator tubes, backboard brackets, and triangle plates. Carefully rock them in a circular motion to ream out any excess paint from holes if necessary.

Not all items pictured are included with every model.

WARNING

FAILURE TO FOLLOW THESE WARNINGS MAY RESULT IN SERIOUS INJURY AND/OR PROPERTY DAMAGE.

Owner must ensure that all players know and follow these rules for safe operation of the system.

- DO NOT HANG on the rim or any part of the system including backboard, support braces or net.
- During play, especially when performing dunk type activities, keep player's face away from the backboard, rim and net. Serious injury could occur if teeth/face come in contact with backboard, rim or net.
- Do not slide, climb, shake or play on base and/or pole.
- After assembly is complete, fill system completely with water or sand and stake to the ground. Never leave system in an upright position without filling base with weight, as system may tip over causing injuries.
- When adjusting height or moving system, keep hands and fingers away from moving parts.
- Do not allow children to move or adjust system.
- During play, do not wear jewelry (rings, watches, necklaces, etc.). Objects may entangle in net.
- Surface beneath the base must be smooth and free of gravel or other sharp objects. Punctures cause leakage and could cause system to tip over.
- Keep organic material away from pole base. Grass, litter, etc. could cause corrosion and/or deterioration.
- Check pole system for signs of corrosion (rust, pitting, chipping) and repaint with exterior enamel paint. If rust has penetrated through the steel anywhere, replace pole immediately.
- Check system before each use for proper ballast, loose hardware, excessive wear and signs corrosion and repair before use.
- Check system before each use for instability.
- Do not use system during windy and/or severe weather conditions; system may tip over. Place system in the storage position and/or in an area protected from the wind and free from personal property and/or overhead wires.
- Never play on damaged equipment.
- See instruction manual for proper installation and maintenance.
- When moving system, use caution to keep mechanism from shifting.
- Keep pole top covered with cap at all times.
- Do not allow water in tank to freeze. During sub-freezing weather add non-toxic antifreeze, sand or empty tank completely and store. (Do not use salt.)
- While moving system, do not allow anyone to stand or sit on base or have added ballasting on base.
- Do not leave system unsupervised or play on system when wheels are engaged for moving.
- Use Caution when moving system across uneven surfaces. System may tip over.
- Use extreme caution if placing system on sloped surface. System may tip over more easily.

HUFFY SPORTS

In the U.S.: 1-800-558-5234 and Canada: 1-800-284-8339
201246 11/04



SAFETY INSTRUCTIONS



FAILURE TO FOLLOW THESE SAFETY INSTRUCTIONS MAY RESULT IN SERIOUS INJURY OR PROPERTY DAMAGE AND WILL VOID WARRANTY.

Owner must ensure that all players know and follow these rules for safe operation of the system.

To ensure safety, do not attempt to assemble this system without following the instructions carefully. Proper and complete assembly, use, and supervision are essential for proper operation and to reduce the risk of accident or injury. A high probability of serious injury exists if this system is not installed, maintained, and operated properly.

- If using a ladder during assembly, use extreme caution.
- Check base regularly for leakage. Slow leaks could cause the system to tip over unexpectedly
- Seat the pole sections properly (if applicable). Failure to do so could allow the pole sections to separate during play and/or during transport of the system.
- Climate, corrosion or misuse could result in system failure.
- If technical assistance is required, contact Huffy Sports.
- Minimum operational height is 6'-6" (1.98m) to the bottom of backboard.

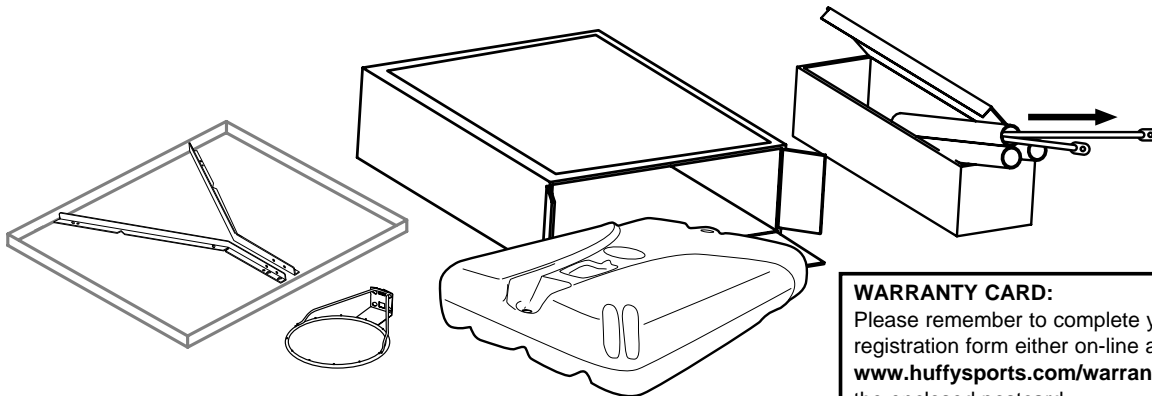
*Most injuries are caused by misuse and/or not following instructions.
Use caution when using this unit.*

NOTICE TO ASSEMBLERS

ALL Huffy Sports basketball systems, including those used for DISPLAYS, MUST be assembled and ballasted with sand or water according to instructions. Failure to follow instructions could result in SERIOUS INJURY. It is NOT acceptable to devise a makeshift weight system.

IMPORTANT!

**Remove all contents from boxes.
Be sure to check inside pole sections;
hardware and additional parts are packed inside.**



WARRANTY CARD:

Please remember to complete your product registration form either on-line at: www.huffysports.com/warrantycard or mail-in the enclosed postcard.



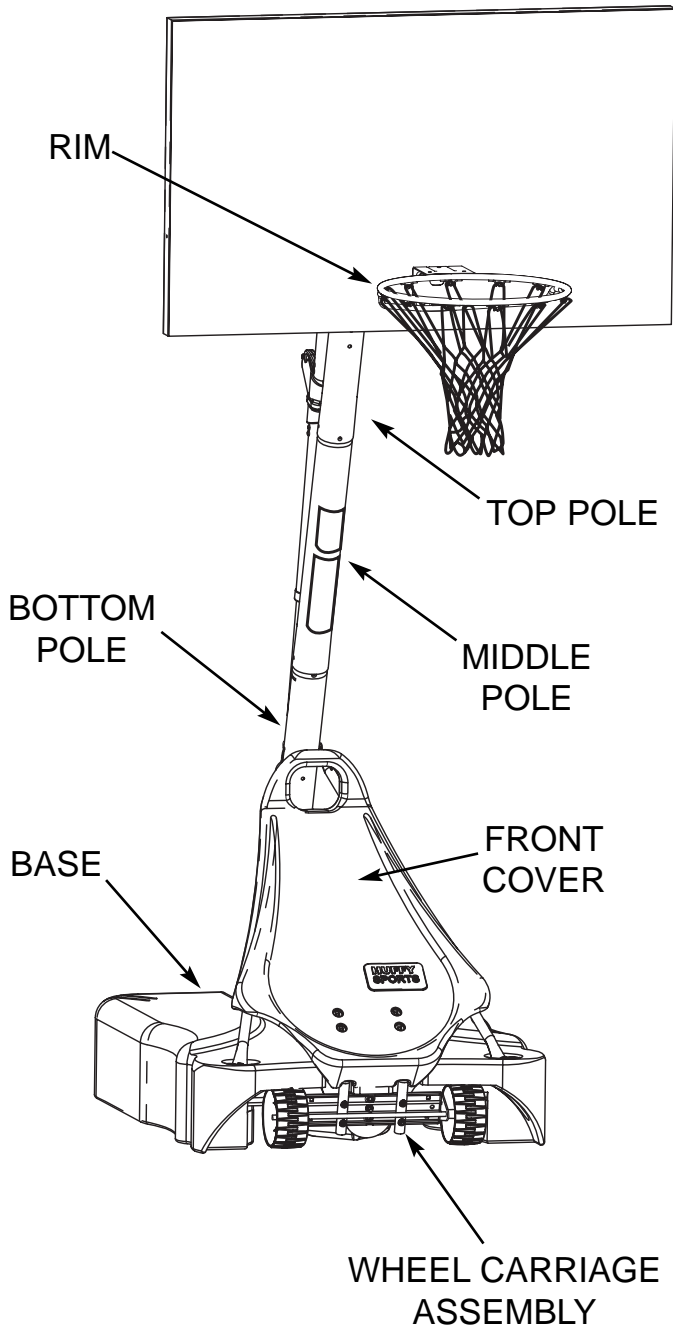
Questions or Missing Parts?

DON'T go back to store!

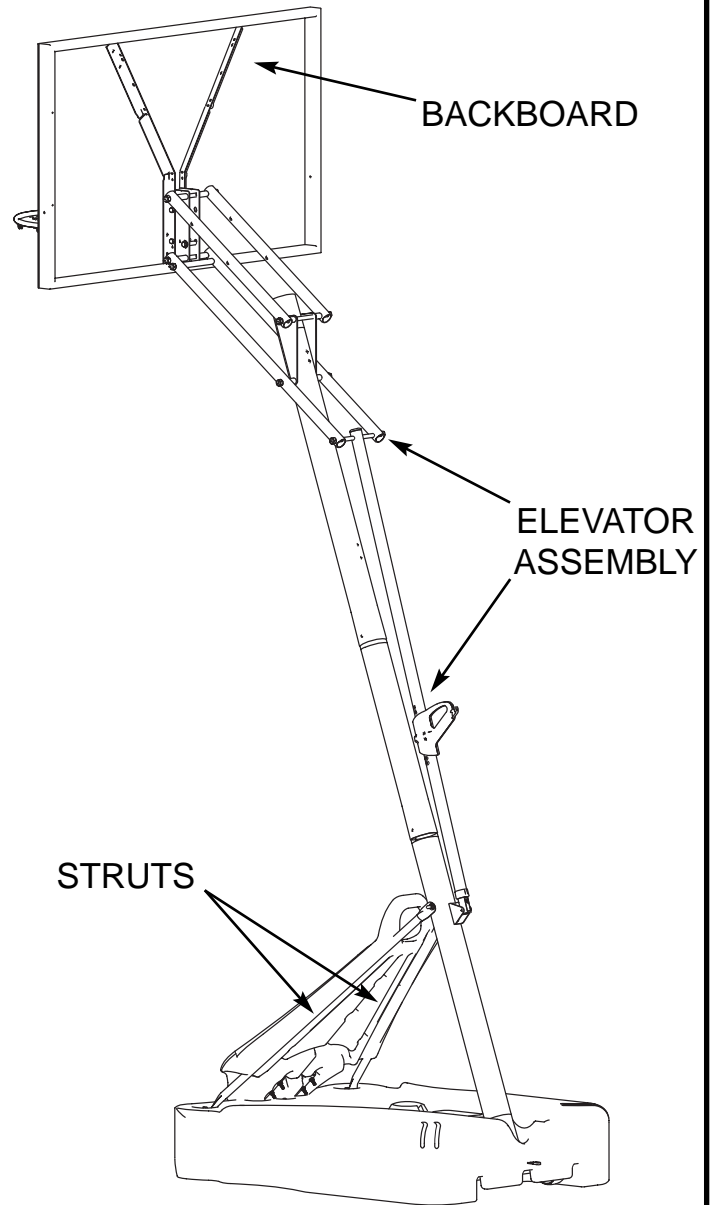
Call TOLL-FREE Customer Service
Number listed on the front page!

Get to know the basic parts of your basketball system...

FRONT VIEW



BACK VIEW

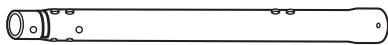


PARTS LIST (SEE PARTS IDENTIFIER)

Item	Qty	Part No	Description	Item	Qty	Part No	Description
P-1	1	908164	Top Pole Section	P-18	1	207103	Pole Cap
P-2	1	908107	Middle Pole Section (with Label)	P-19	2	908169	Elevator Tube, Lower
P-3	1	908165	Bottom Pole Section	P-20	2	904807	Elevator Tube, Upper
P-4	2	900223	Wheel Bracket	P-21	2	900964	Board Brackets
P-5	2	206940	Axle, 21" Long	P-22	1	200118	Front Cover
P-6	2	226403	Wheel 6"	P-23	1	206956	Plastic Disc, 5" O.D.
P-7	1	206990	Bracket, Reinforcement	P-24	1	206219	Base Plug
P-8	1	200117	Base	P-25	1	203124	Tie Down Stake
P-9	1	108163	Bracket, Pole	P-26	1	201568	Anchor Strap
P-10	1	904501	Handle Assembly, Lower	P-27	1	204532	Label Height & Moving
P-11	1	904502	Tube Assembly, Upper	P-28	2	226401	Wheel 4"
P-12	2	204838	Spring	P-29	1		Rim
P-13	2	906410	Tank Strut	P-30	1	900033	Bracket, Slam Jam Rim
P-14	1	200123	Upper Pivot Bracket	P-31	1	200318	Bracket, Rim Reinforcement
P-15	1	206948	Lower Pivot Bracket	P-32	1	203472	Spring, Slam Jam Rim
P-16	2	900122	Hinge Tubes	P-33	1		Net
P-17	2	900867	Triangle Plates				

* You may have extra parts with this model.

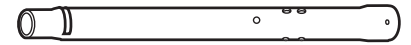
PARTS IDENTIFIER



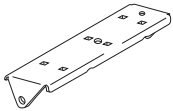
P-1 (1)



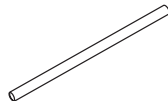
P-2 (1)



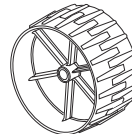
P-3 (1)



P-4 (2)



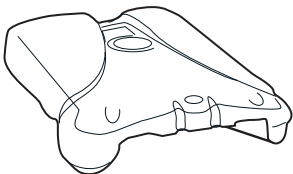
P-5 (2)



P-6 (2)



P-7 (1)



P-8 (1)



P-9 (1)



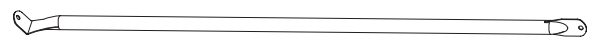
P-10 (1)



P-11 (1)

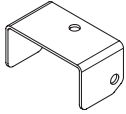


P-12 (2)

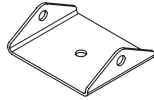


P-13 (2)

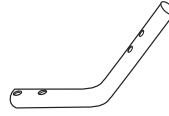
PARTS IDENTIFIER



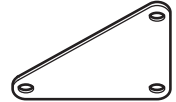
P-14 (1)



P-15 (1)



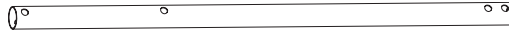
P-16 (2)



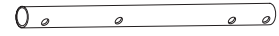
P-17 (2)



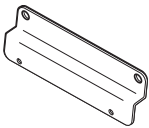
P-18 (1)



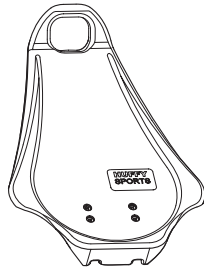
P-19 (2)



P-20 (2)



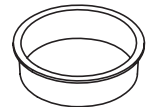
P-21 (2)



P-22 (1)



P-23 (1)



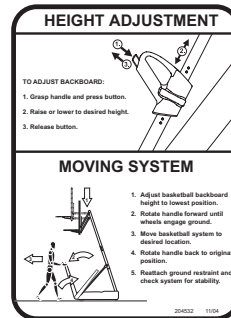
P-24 (1)



P-25 (1)



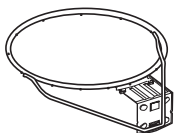
P-26 (1)



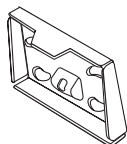
Item P-27 (1)



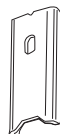
P-28 (2)



P-29 (1)



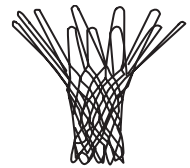
P-30 (1)



P-31 (1)



P-32 (1)



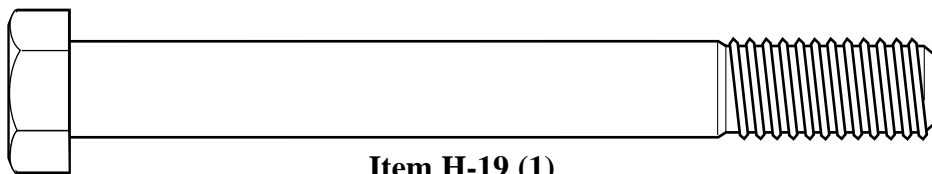
P-33 (1)

HARDWARE LIST (SEE HARDWARE IDENTIFIER)

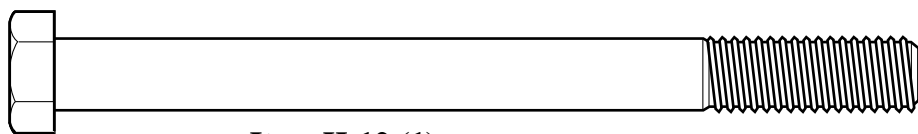
Item	Qty	Part No	Description	Item	Qty	Part No	Description
H-1	4	206938	Pushnut, Black	H-18	8	204847	Bolt, Hex, 1/2-13 x 9.5" Long
H-2	1	203223	Bolt, Carriage, 5/16-18 x 1" Long	H-19	1	201139	Bolt, Hex, 1/2-13 x 4.5" Long
H-3	1	202662	Bolt, Hex, 5/16-18 x 4.5" Long	H-20	4	201682	Spacer, Plastic, .50 I.D., 1.88" Long
H-4	7	203218	Washer 5/16	H-21	2	203798	Bolt, Hex Flange, 5/16-18 x 1.5" Long
H-5	1	200188	Rod 3/8 x 5.25	H-22	1	202273	Spacer, Metal, .50 O.D., 5.875" Long
H-6	1	202822	Eye Bolt, 3/8-16 x 3.75	H-23	2	203099	Nut, Nylock, 5/16-18
H-7	1	200516	Bolt Cover	H-24	2	200874	Spacer, Metal, .50 O.D., 1.53" Long
H-8	1	200512	Bolt, Hex, 3/8-16 x 3.5" Long	H-25	2	206360	Bolt, Hex, 3/8-16 x 2.625" Long
H-9	4	203232	Flat Washer, 3/4 O.D.	H-26	6	203063	Nut, Nylock, 3/8-16
H-10	1	206252	Bolt, Hex, 3/8-16 x 1" Long	H-27	4	265601	Bolt, Carriage, 5/16-18 x 3.5" Long
H-11	17*	203100	Nut, Hex Flange, 5/16-18	H-28	12	201219	Net Clips
H-12	1	203330	Bolt, Hex, 3/8-16 x 4.5	H-29	4	205528	Bolt, Hex Flange, 5/16-18 x 1" Long
H-13	4	203103	Bolt, Carriage, 5/16-18 x 2	H-30	1	202739	Bolt, Hex, 5/16-18 x 1.75" Long
H-14	2	204688	Spacer, Plastic, 0.75" O.D., 2.125" Long	H-31	1	203796	T-Bolt, 3/8-16. 5" Long
H-15	8	206340	Nut, Nylock, 1/2-13	H-32	1	203470	Washer, Flat, 1.5" O.D.
H-16	2	203053	Bolt, Carriage, 5/16-18 x 4" Long	H-33	1	203795	Nut, Special
H-17	4	202862	Spacer, Plastic, .50 O.D., 1.19" Long				

* You may have extra hardware with this model.

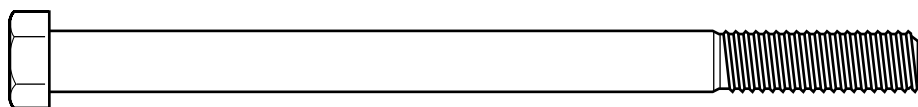
HARDWARE IDENTIFIER (BOLTS & SCREWS)



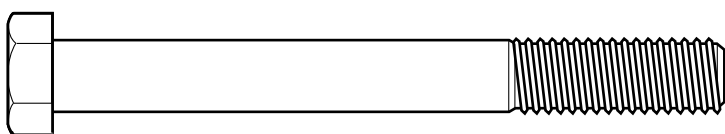
Item H-19 (1)



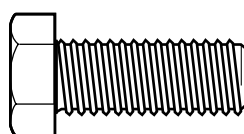
Item H-12 (1)



Item H-3 (1)



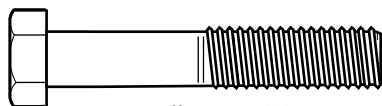
Item H-8 (1)



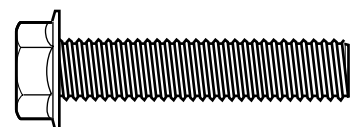
Item #H-10 (1)



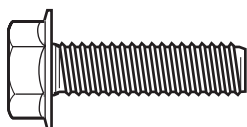
Item H-25 (2)



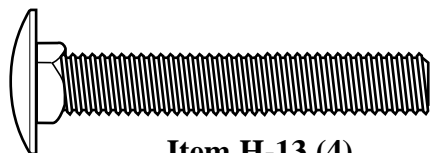
Item #H-30 (1)



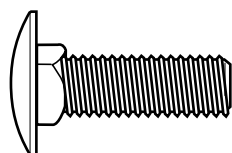
Item H-21 (2)



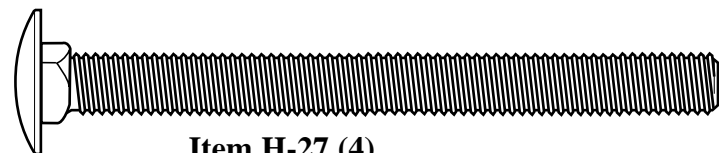
Item #H-29 (4)



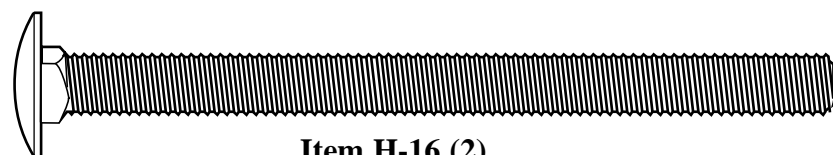
Item H-13 (4)



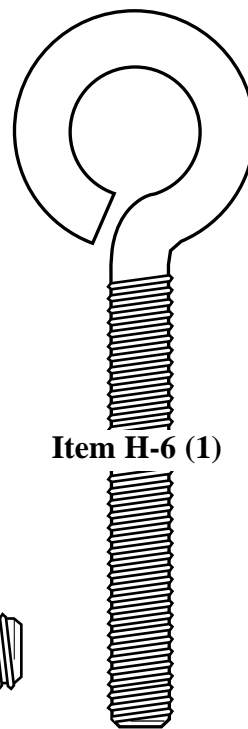
Item H-2 (1)



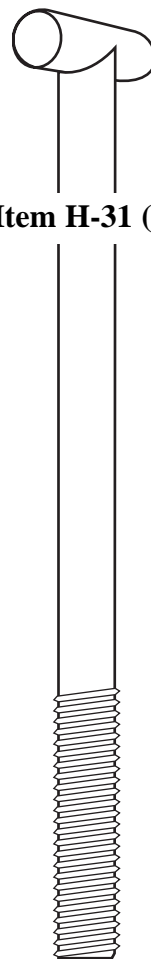
Item H-27 (4)



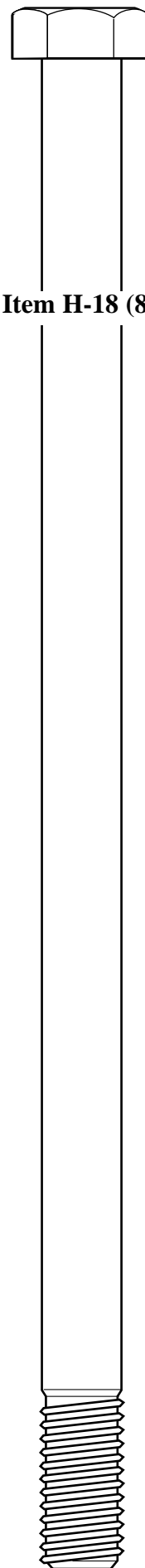
Item H-16 (2)



Item H-6 (1)

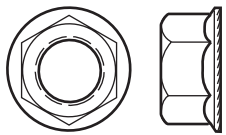


Item H-31 (1)

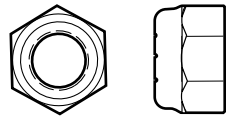


Item H-18 (8)

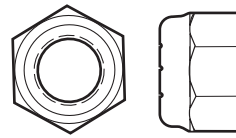
HARDWARE IDENTIFIER (NUTS, WASHERS & METAL SPACERS)



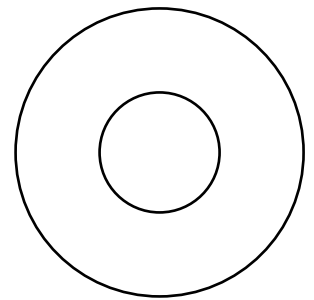
Item H-11 (17)*



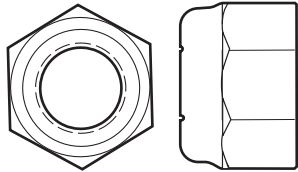
Item H-23 (2)



Item H-26 (6)



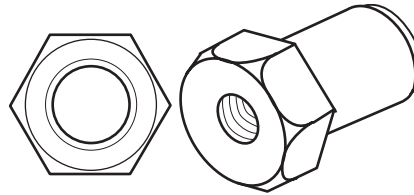
Item H-32 (1)



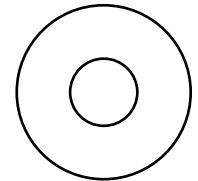
Item H-15 (8)



Item H-24 (2)



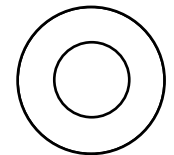
Item H-33 (1)



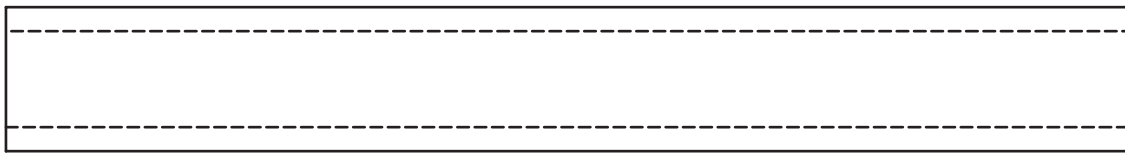
Item H-4 (7)



Item H-5 (1)

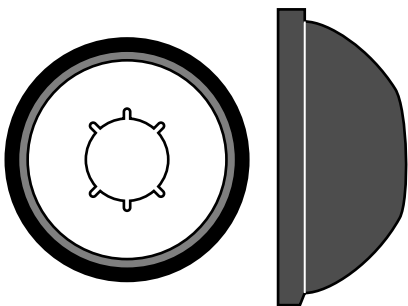


Item H-9 (4)



Item H-22 (1)

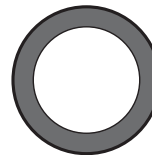
HARDWARE IDENTIFIER (PLASTIC SPACERS & CAPS)



Item H-1 (4)



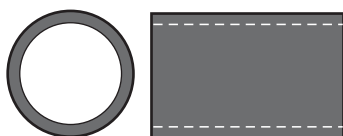
Item H-7 (1)



Item H-14 (2)



Item H-28 (12)



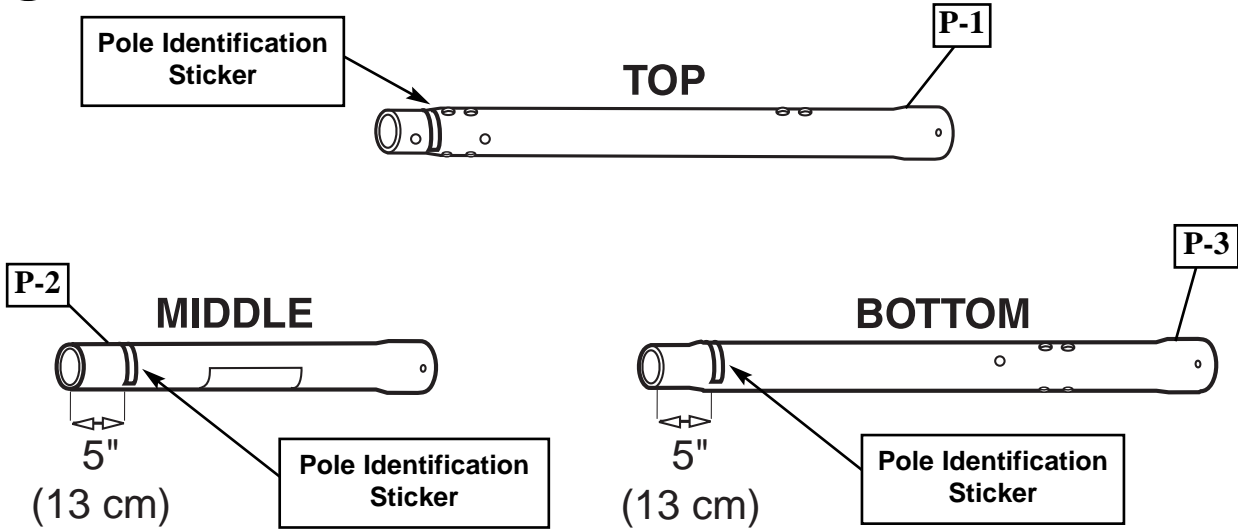
Item H-17 (4)



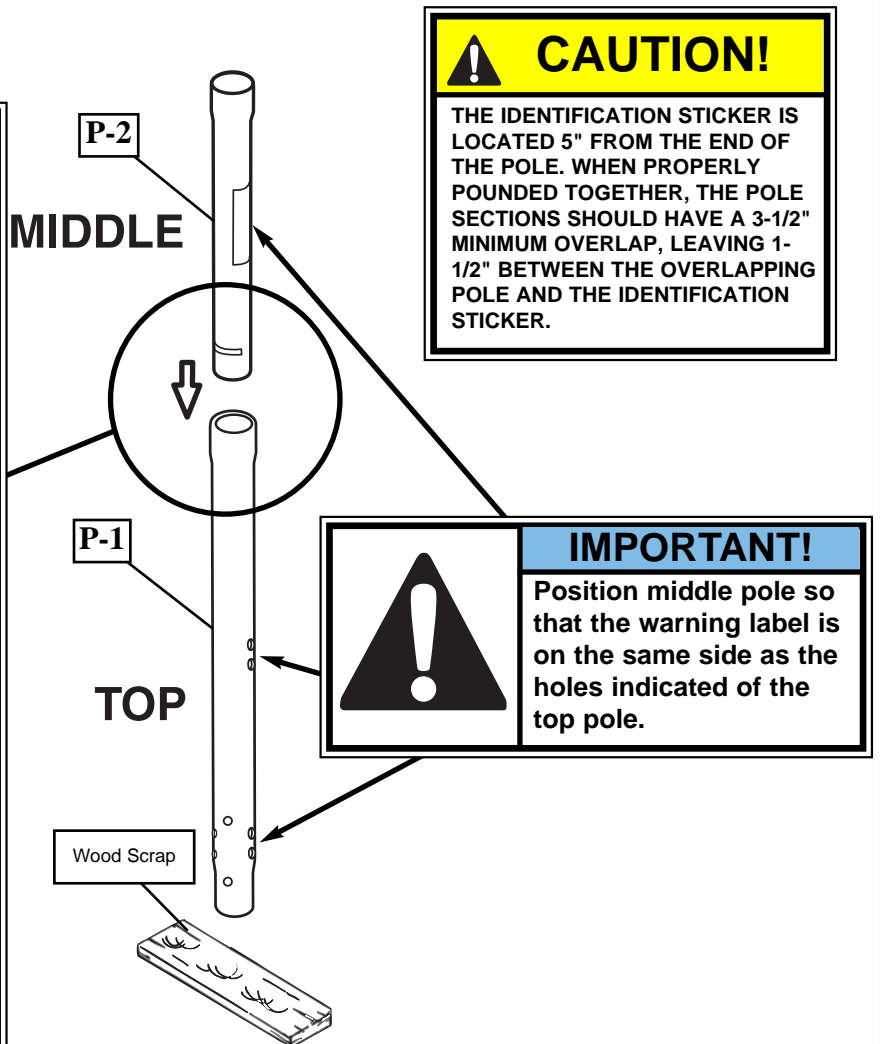
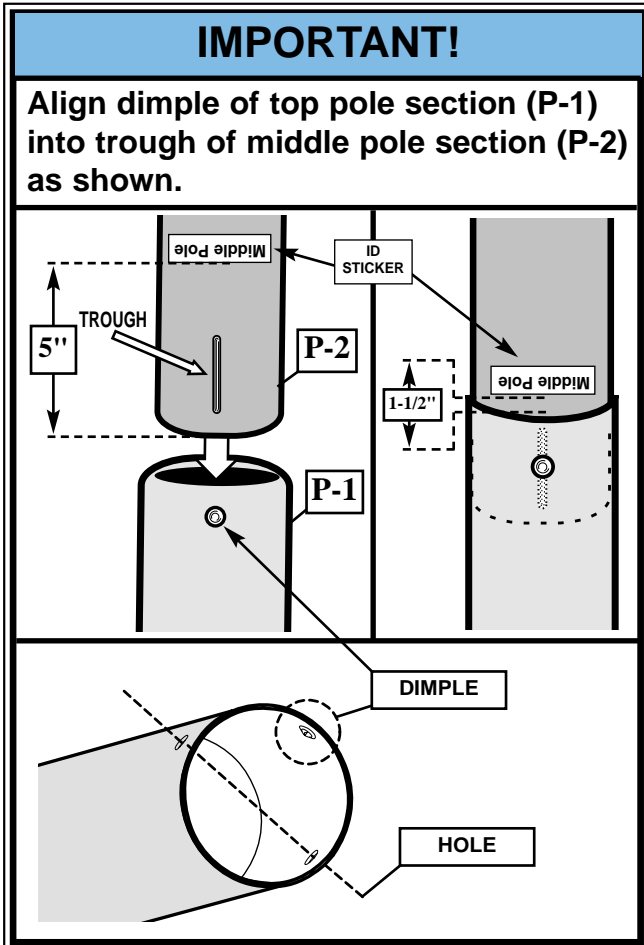
Item H-20 (4)

SECTION A: ASSEMBLE THE POLES

1. Correctly identify each pole section.



2. While maintaining alignment, bounce middle pole section (P-2) into top section (P-1) using a wood scrap as shown until the top pole no longer moves toward the pole identification sticker on the middle pole.



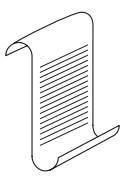
CAUTION!

THE IDENTIFICATION STICKER IS LOCATED 5" FROM THE END OF THE POLE. WHEN PROPERLY POUNDED TOGETHER, THE POLE SECTIONS SHOULD HAVE A 3-1/2" MINIMUM OVERLAP, LEAVING 1-1/2" BETWEEN THE OVERLAPPING POLE AND THE IDENTIFICATION STICKER.

IMPORTANT!

Position middle pole so that the warning label is on the same side as the holes indicated of the top pole.


3. While maintaining alignment, bounce assembly and lower section (P-3) together as shown until they no longer move toward taped reference mark.



NOTE:
POLE SECTIONS SHOULD HAVE A 3-1/2" (9 CM) MINIMUM OVERLAP.

CAUTION!

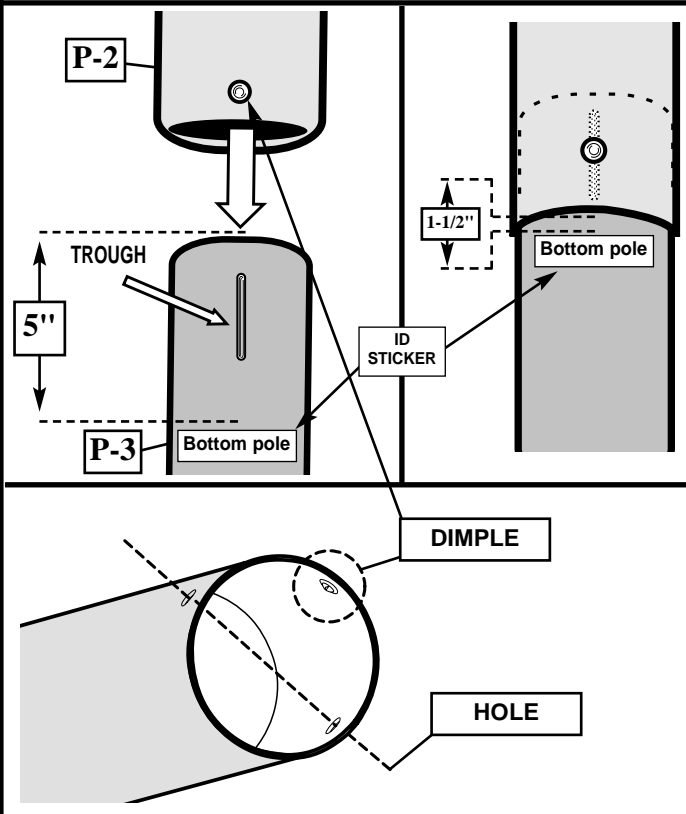
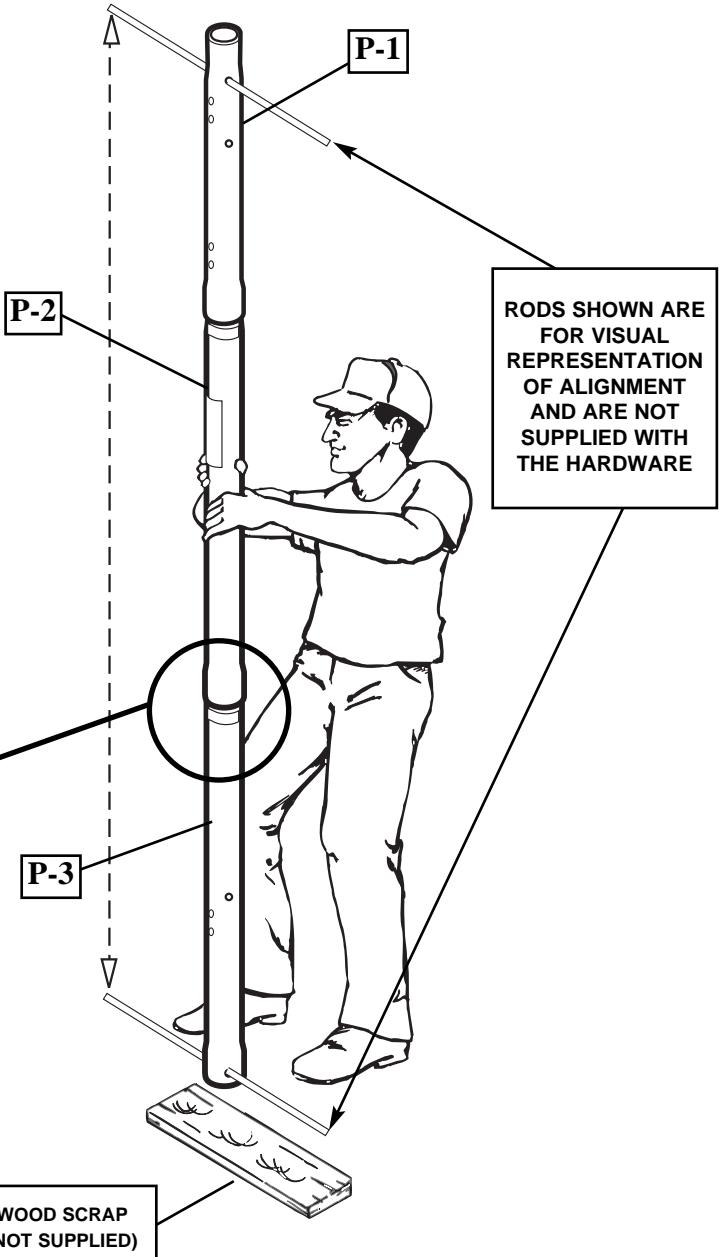
THE IDENTIFICATION STICKER IS LOCATED 5" FROM THE END OF THE POLE. WHEN PROPERLY POUNDED TOGETHER, THE POLE SECTIONS SHOULD HAVE A 3-1/2" MINIMUM OVERLAP, LEAVING 1-1/2" BETWEEN THE OVERLAPPING POLE AND THE IDENTIFICATION STICKER.



IMPORTANT!
Holes in top pole (P-1) and bottom pole (P-3) sections **MUST** align to correctly position elevator system toward playing surface.

IMPORTANT!

Align dimple of middle pole section (P-2) into trough of bottom pole section (P-3) as shown.

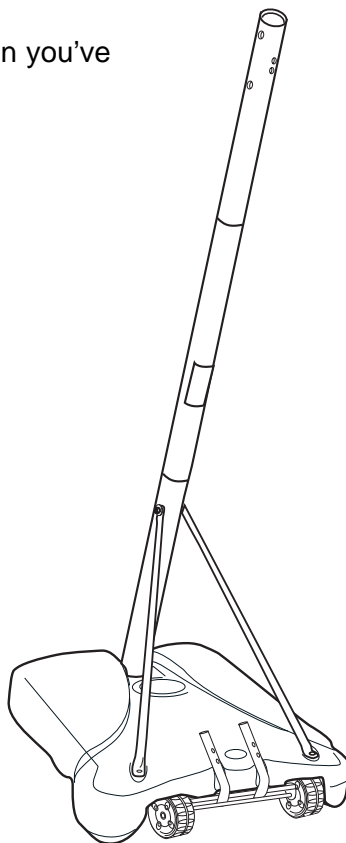



RODS SHOWN ARE FOR VISUAL REPRESENTATION OF ALIGNMENT AND ARE NOT SUPPLIED WITH THE HARDWARE

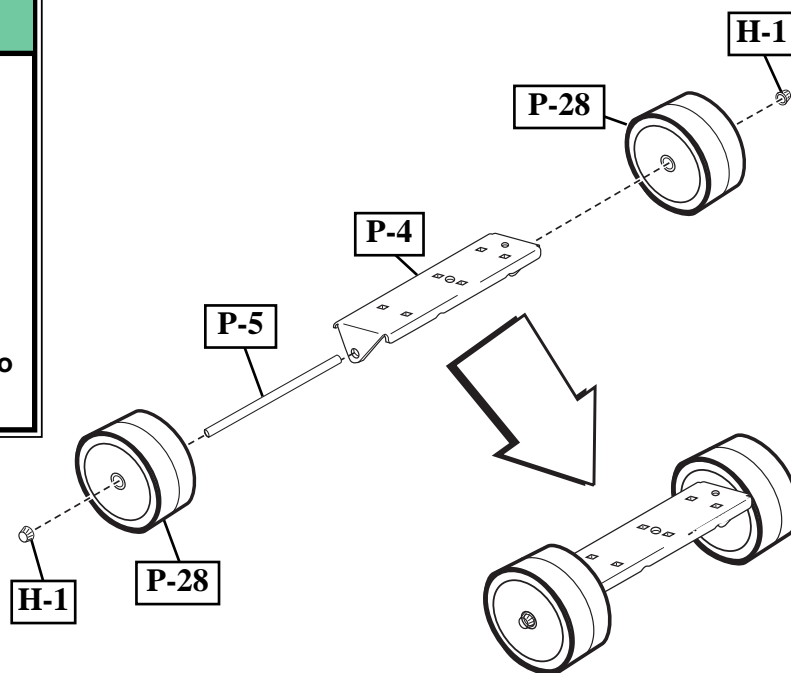
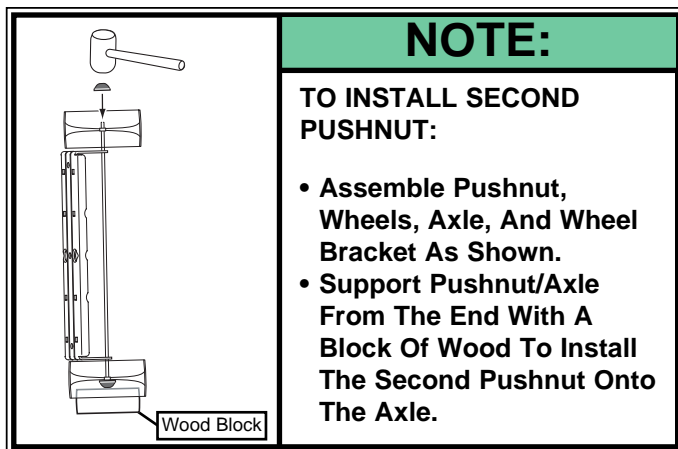
WOOD SCRAP (NOT SUPPLIED)

SECTION B: ASSEMBLE THE BASE

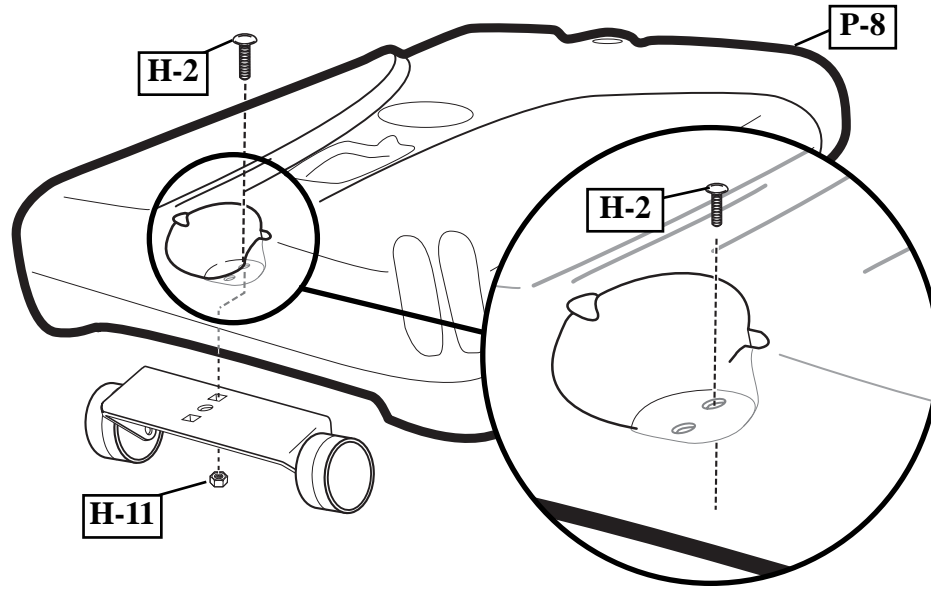
This is what your system will look like when you've finished this section.



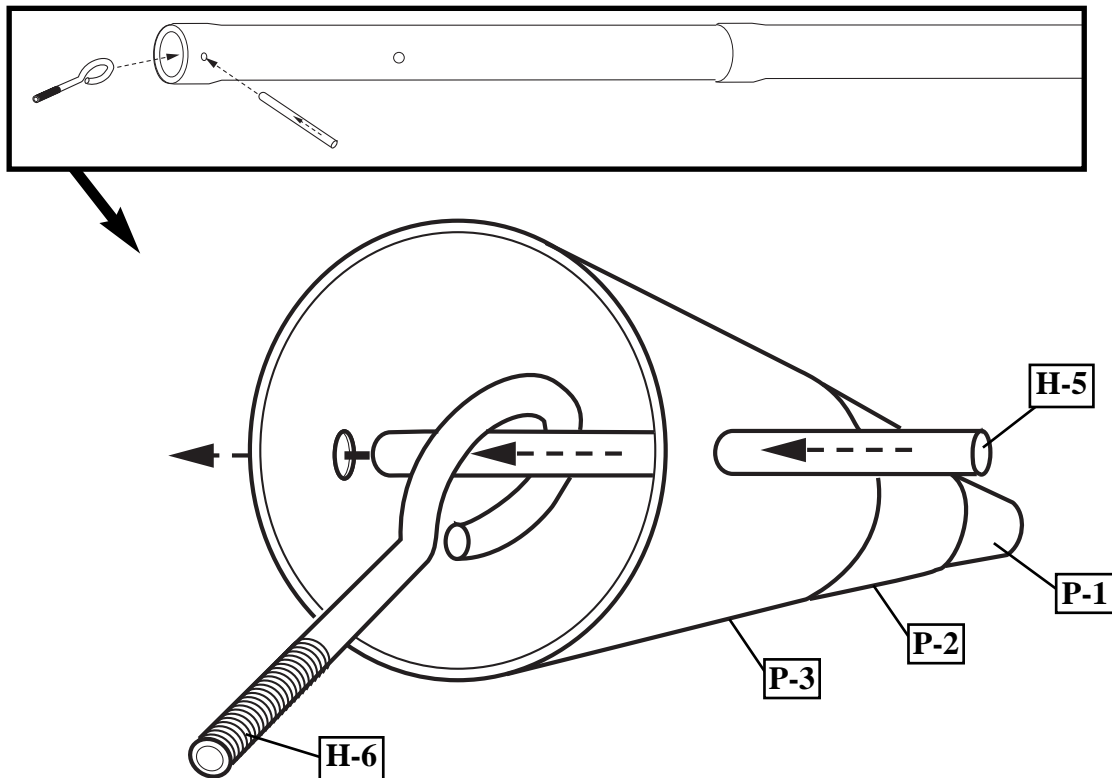
1. Insert axle (P-5) through wheel bracket (P-4). Secure wheels (P-28) to axle using pushnuts (H-1). Carefully tap pushnuts (H-1) onto axle with hammer or mallet.



2. Install wheel assembly to base (P-8) using bolt (H-2), and nut (H-11) as shown. Finger-tighten only.




3. Install rod (H-5) through holes in bottom pole section (P-3) and eyebolt (H-6).

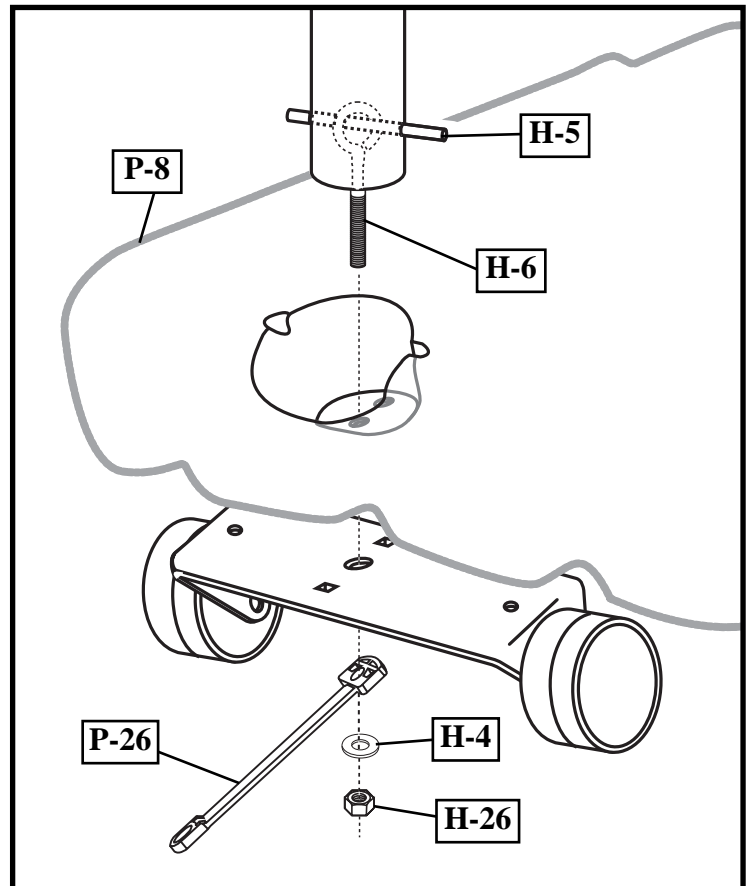
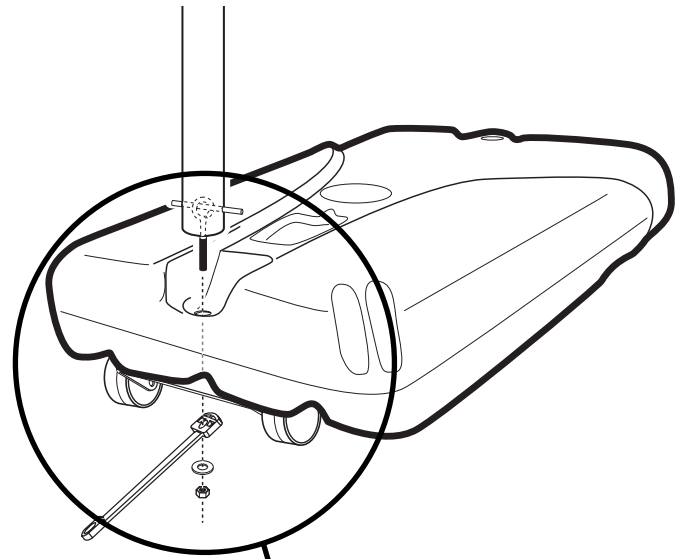
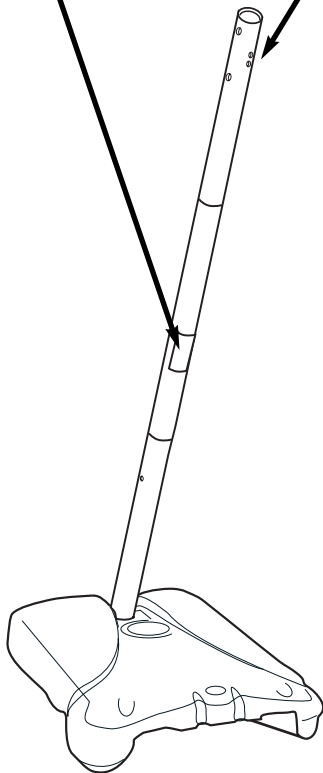


4.

Insert pole assembly into tank (P-8) and through center hole on wheel assembly as shown. Secure pole assembly with anchor strap (P-26), washer (H-4), and lock nut (H-26).

	! WARNING!
	TWO PEOPLE REQUIRED FOR THIS PROCEDURE. FAILURE TO FOLLOW THIS WARNING COULD RESULT IN SERIOUS INJURY AND/OR PROPERTY DAMAGE.

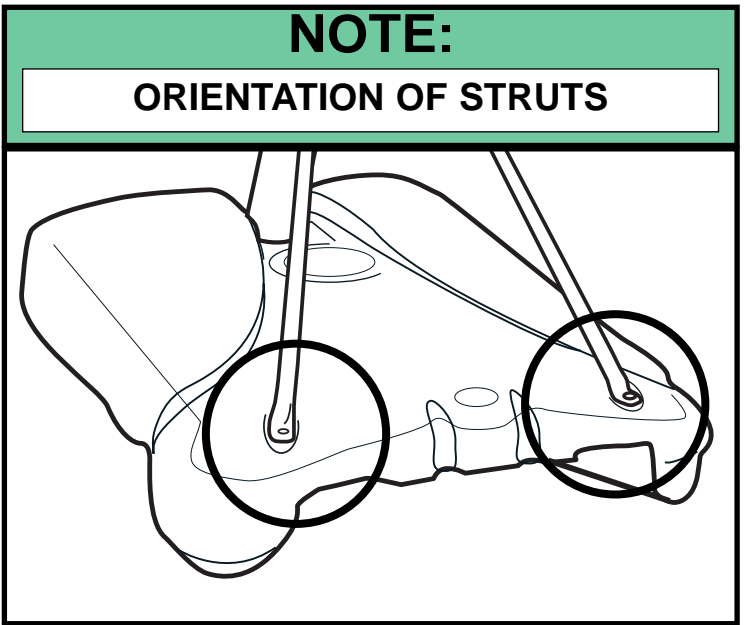
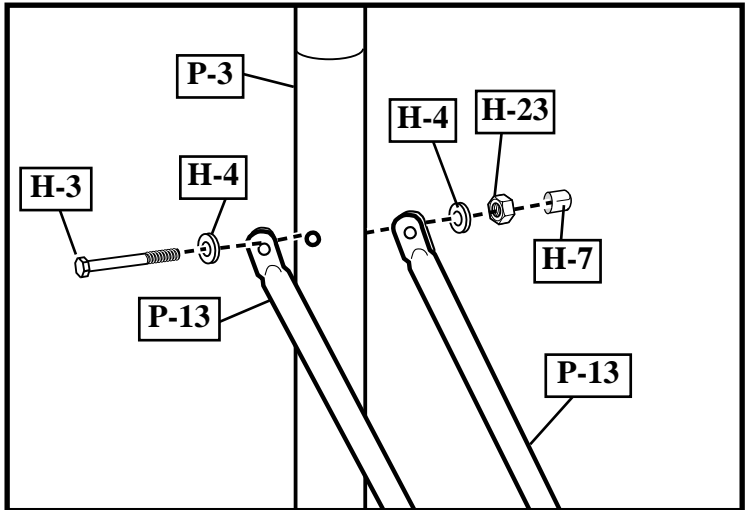
	IMPORTANT!
	The Warning Label should be facing towards the front.



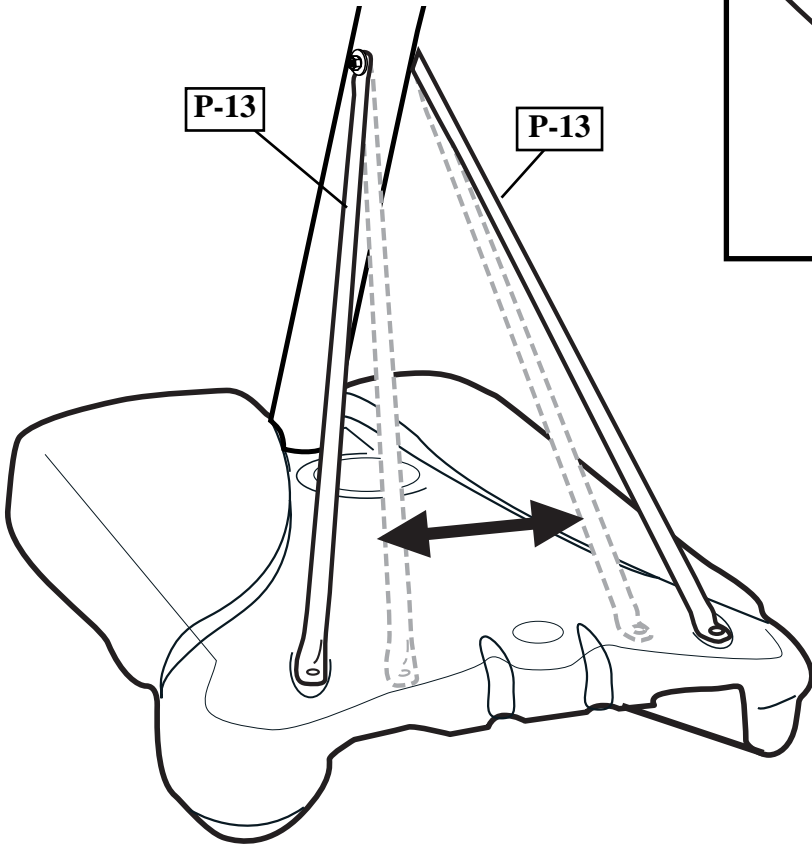
5. Secure tank struts (P-13) to pole using bolt (H-3), washers (H-4) and nut (H-23) as shown. Place bolt cover (H-7) over exposed end of bolt as shown.



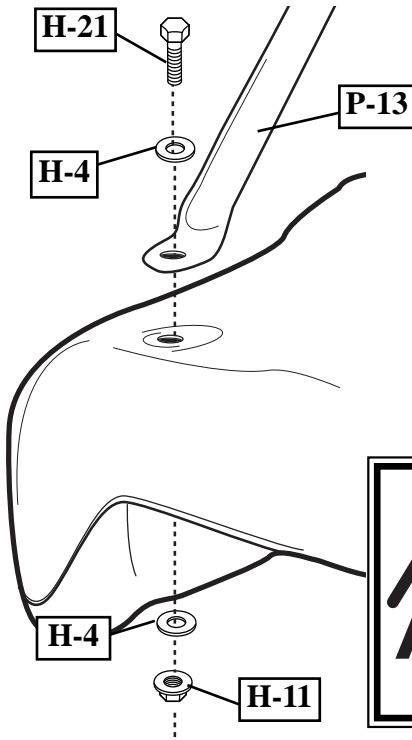
WARNING!
TWO PEOPLE REQUIRED FOR THIS PROCEDURE. FAILURE TO FOLLOW THIS WARNING COULD RESULT IN SERIOUS INJURY AND/OR PROPERTY DAMAGE.



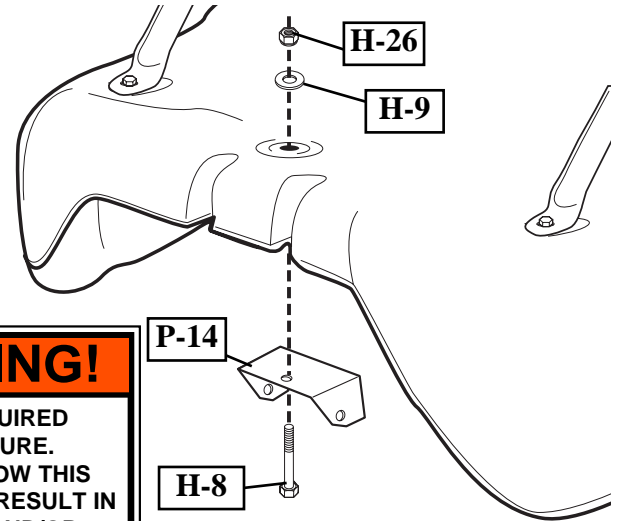
Rotate non-secured ends of tank struts (P-13) outward to mounting holes in tank as shown.



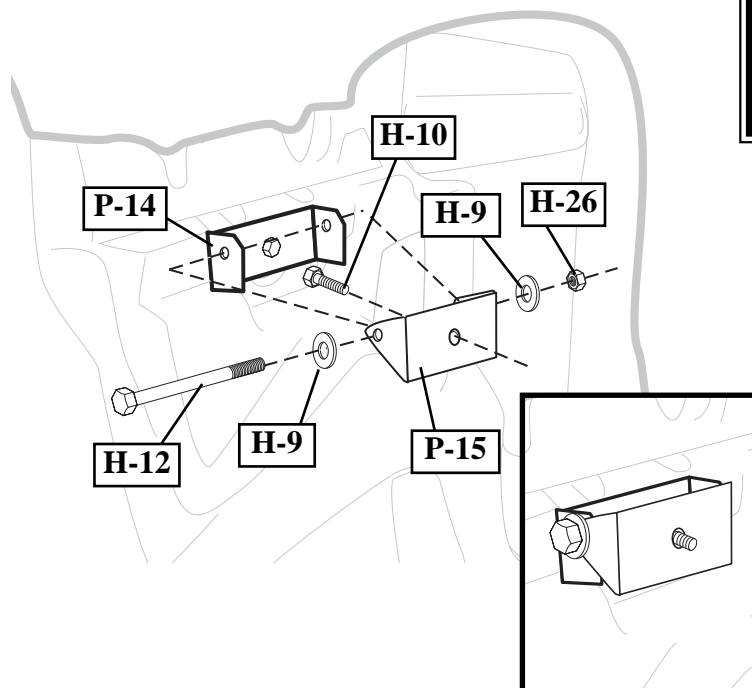
- 6.** Secure ends of tank struts (P-13) to tank using bolt (H-21), washers (H-4) and nut (H-11) as shown. Repeat for opposite side.



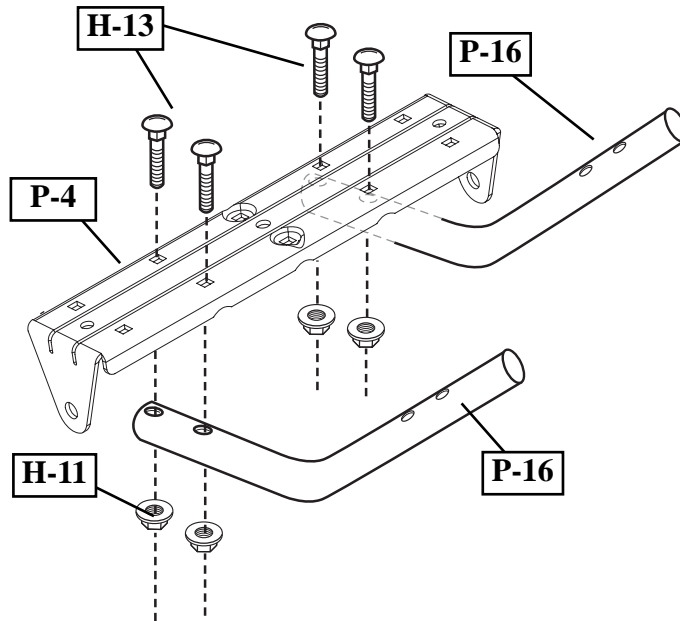
- 7.** Install upper pivot bracket (P-14) to front of base using bolt (H-8), washer (H-9) and nut (H-26) as shown.



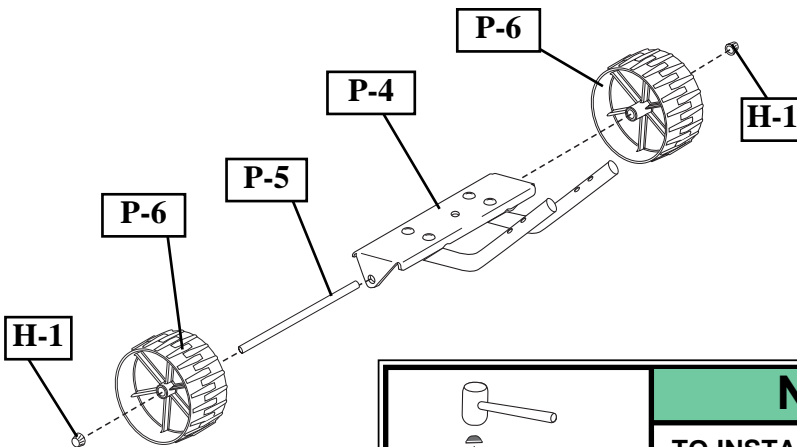
- 8.** Insert bolt (H-10) through lower pivot bracket (P-15) as shown; bolt (H-10) will be secured in step 11. Carefully place base assembly on its side. Install lower pivot bracket (P-15) with bolt (H-12), washers (H-9), and lock nut (H-26) as shown.



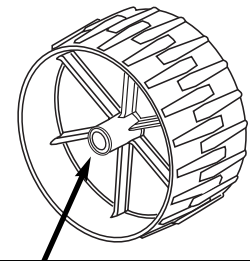
- 9.** Secure both hinge tubes (P-16) to second wheel bracket (P-4) with carriage bolts (H-13) and flange nuts (H-11).



- 10.** Insert axle (P-5) through wheel bracket (P-4). Secure wheels (P-6) to axle using pushnuts (H-1). Carefully tap pushnuts onto axle with hammer or mallet.



IMPORTANT!

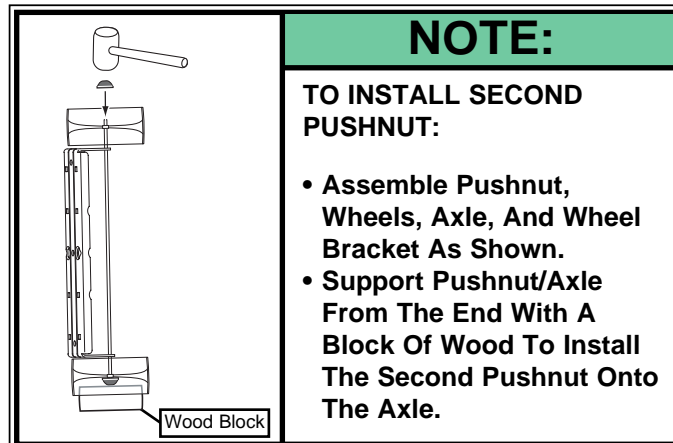


SIDE OF WHEEL WITH LONGER PLASTIC AXLE NEEDS TO FACE THE WHEEL BRACKET.

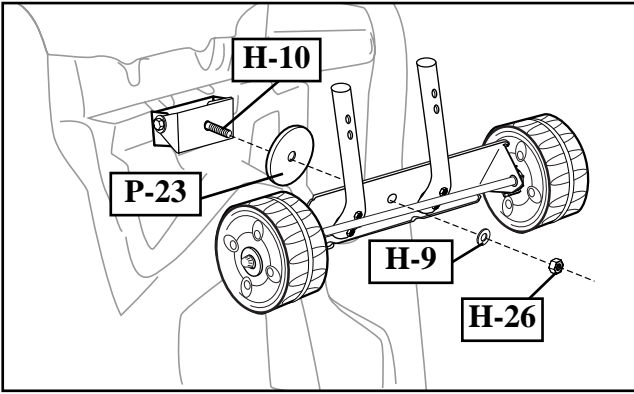
NOTE:

TO INSTALL SECOND PUSHNUT:

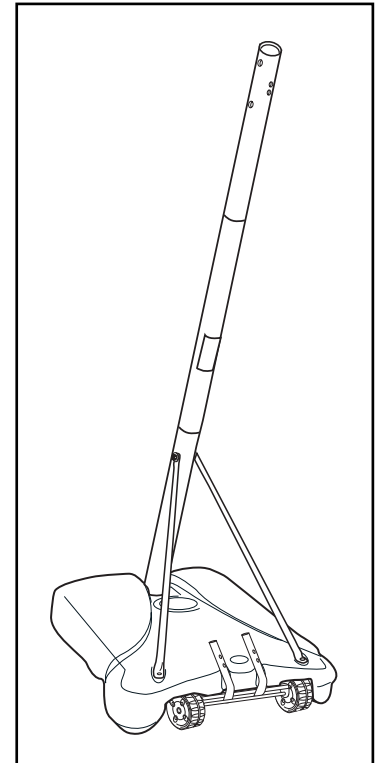
- Assemble Pushnut, Wheels, Axle, And Wheel Bracket As Shown.
- Support Pushnut/Axle From The End With A Block Of Wood To Install The Second Pushnut Onto The Axle.



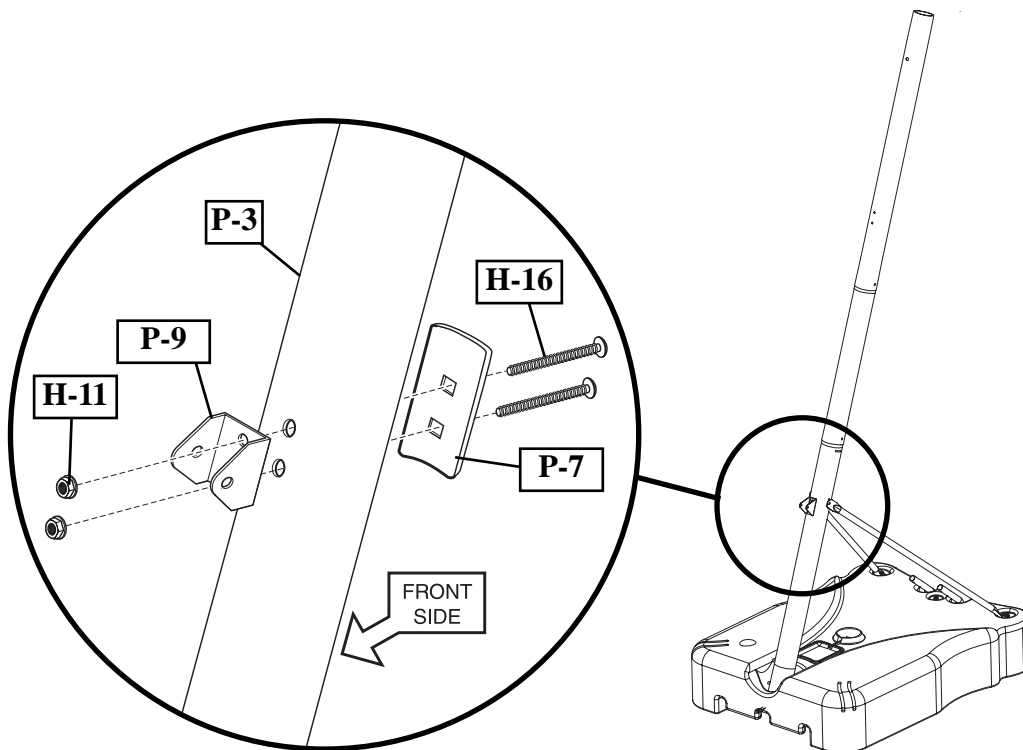
- 11.** Position base as shown. Secure wheel bracket assembly with disc (P-23), washer (H-9) and nut (H-26) as shown.



Carefully reposition entire assembly as shown:

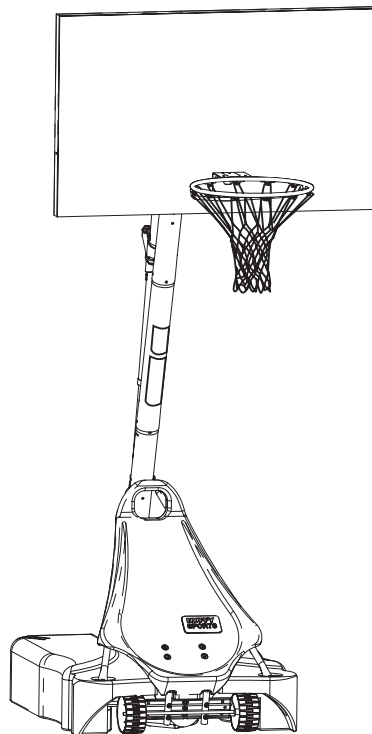


- 12.** Install pole mount bracket (P-9) and reinforcement bracket (P-7) with carriage bolts (H-16) as shown. Tighten flange nuts (H-11) completely.

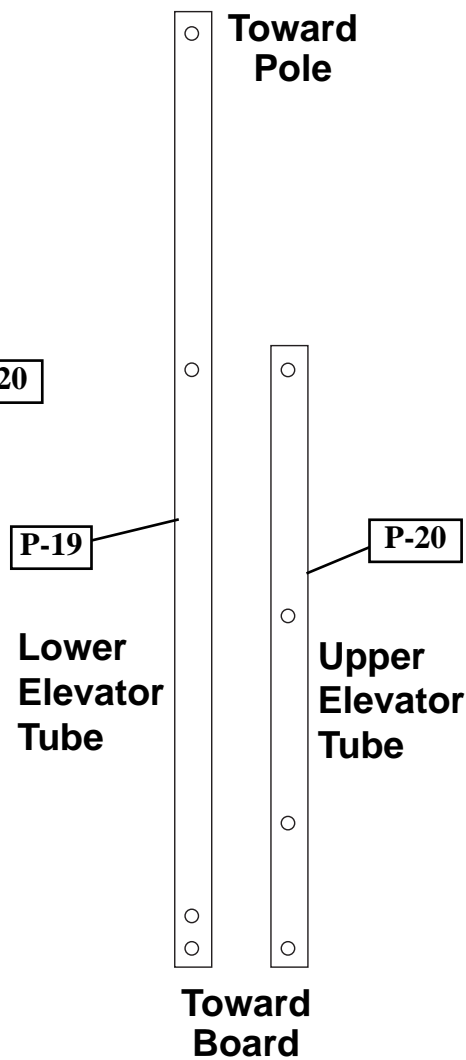
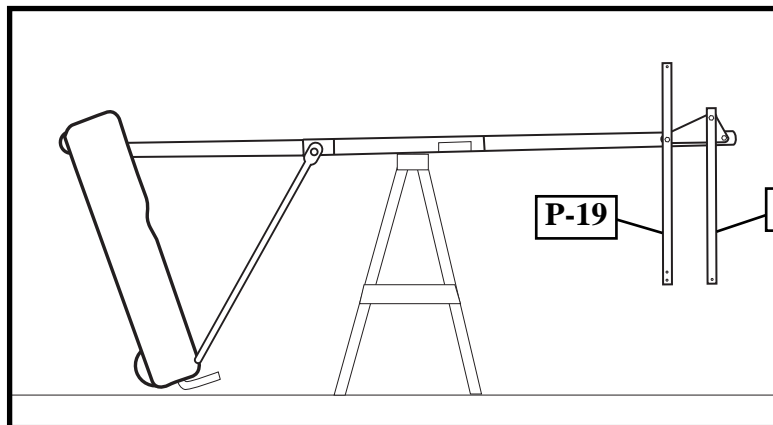


SECTION C: ASSEMBLE THE ELEVATOR SYSTEM & BACKBOARD

This is what your system will look like when you've finished this section.

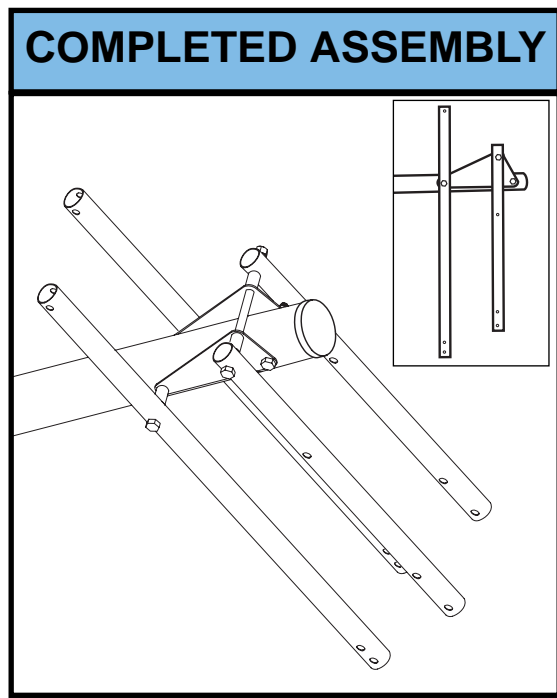
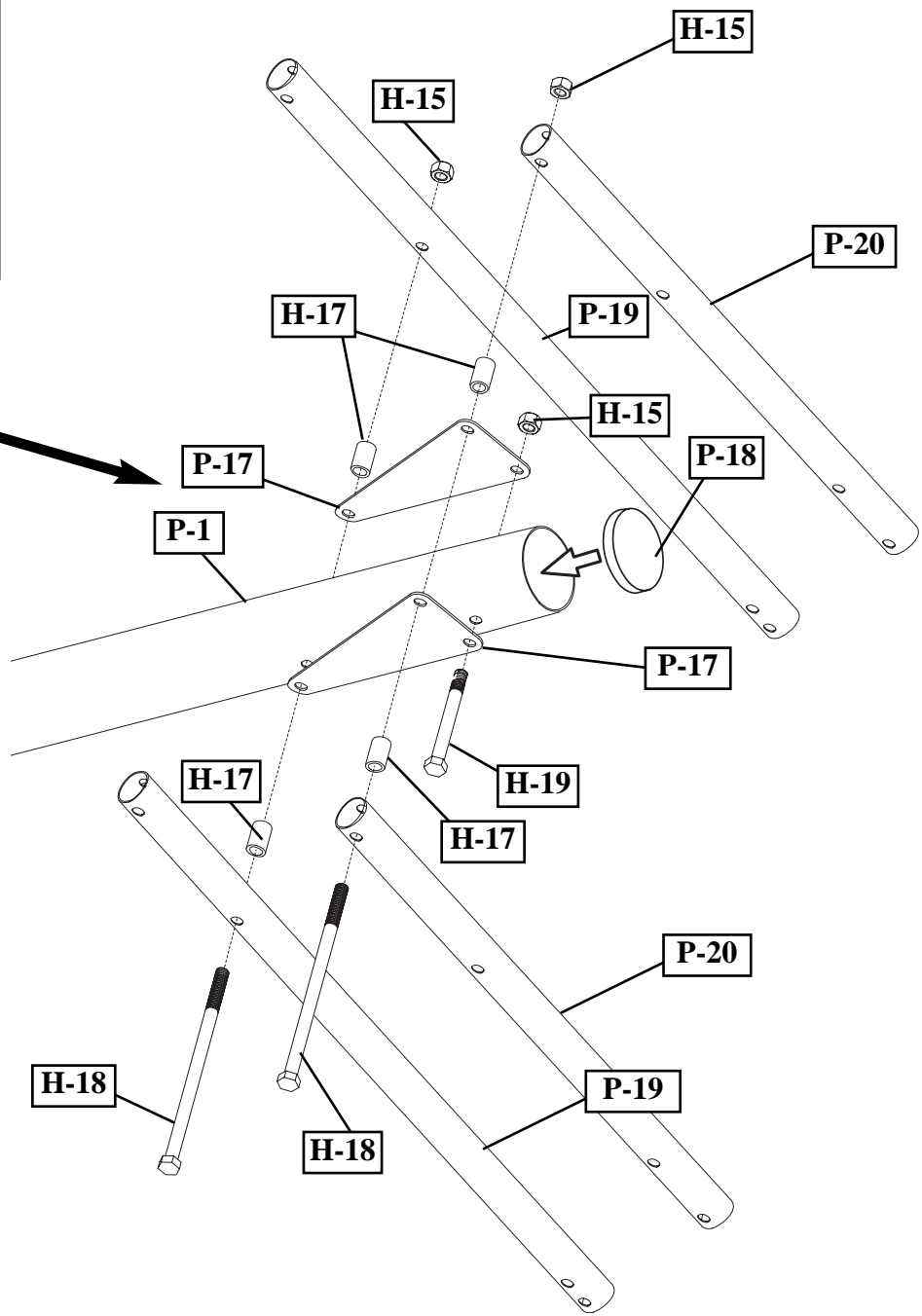
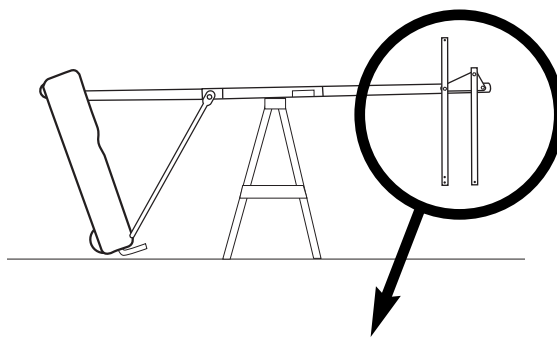
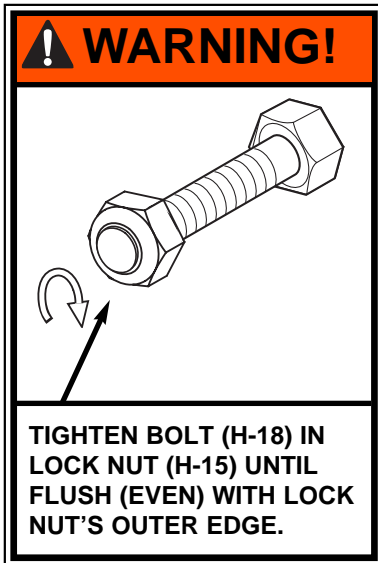


Securely rest the assembly on sawhorse. Identify elevator tubes (P-19 and P-20).

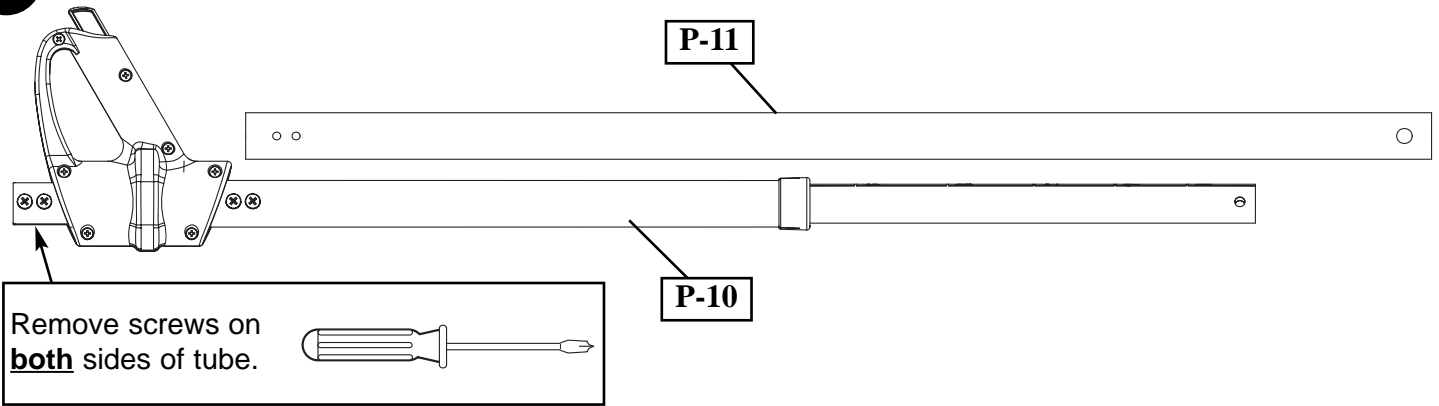


1. While the system is securely resting on the sawhorse.

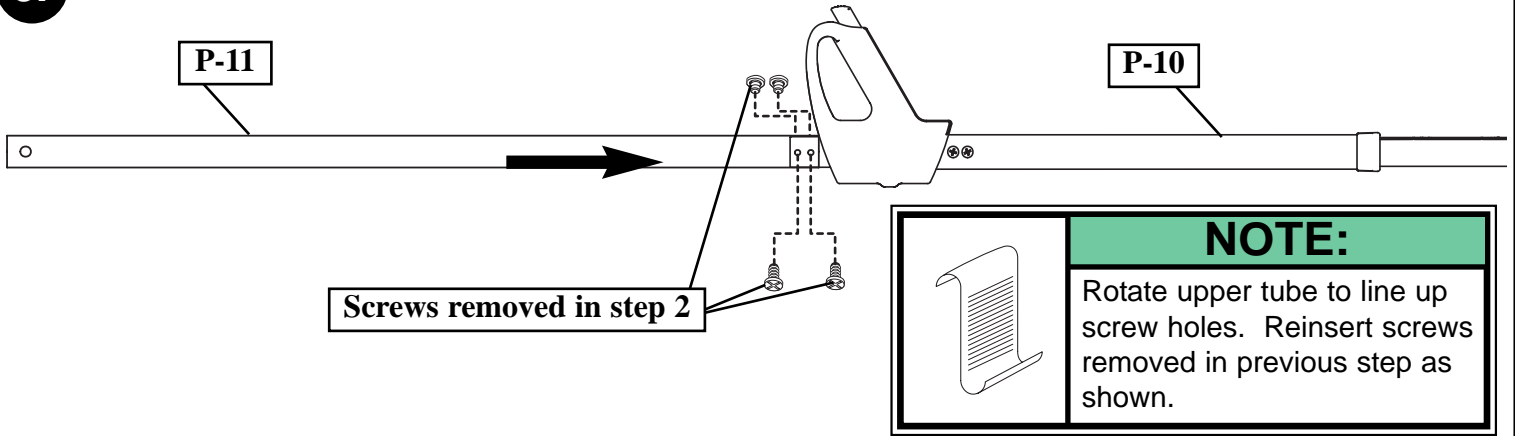
Install triangle plates (P-17) and elevator tubes (P-19 and P-20) to top pole section (P-1) as shown. Install pole cap (P-18) at this time.



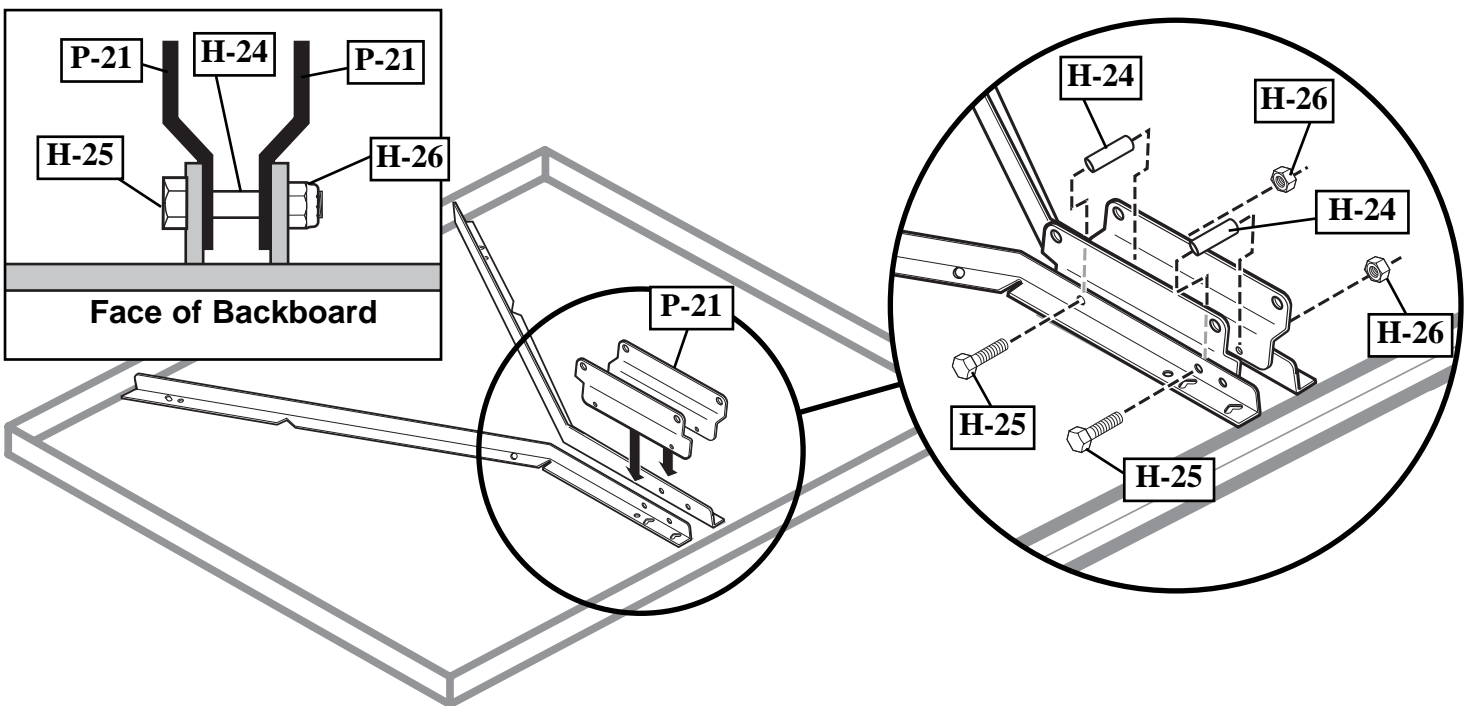
2. Remove packaging materials from handle assemblies (P-10 and P-11).



3. Slide upper tube (P11) onto handle assembly (P-10). Reinsert screws removed in previous step as shown.

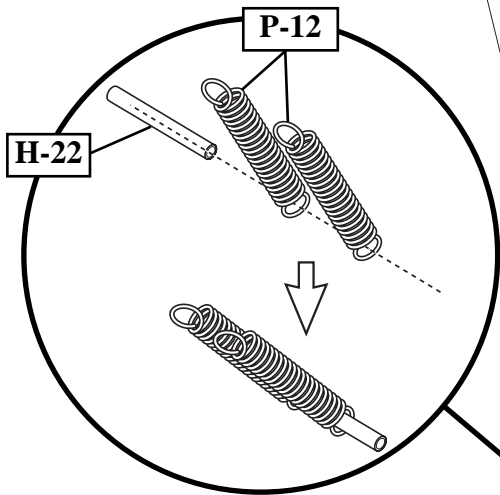


4. Assemble brackets (P-21) to backboard using bolts (H-25) metal spacers (H-24) and nuts (H-26) as shown. The spacers may fit very tightly between the brackets and may need to be tapped gently into place with a hammer.



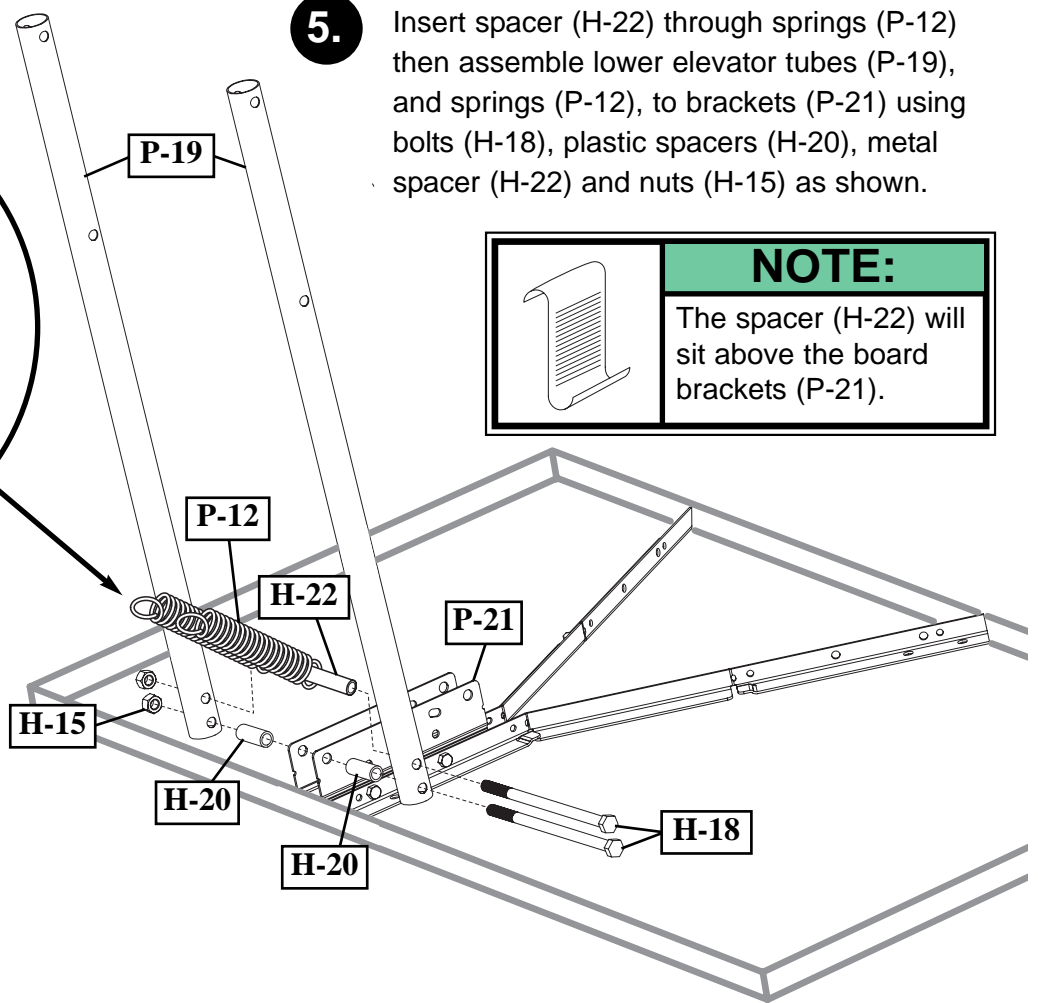
5.

Insert spacer (H-22) through springs (P-12) then assemble lower elevator tubes (P-19), and springs (P-12), to brackets (P-21) using bolts (H-18), plastic spacers (H-20), metal spacer (H-22) and nuts (H-15) as shown.



	NOTE:
	The spacer (H-22) will sit above the board brackets (P-21).

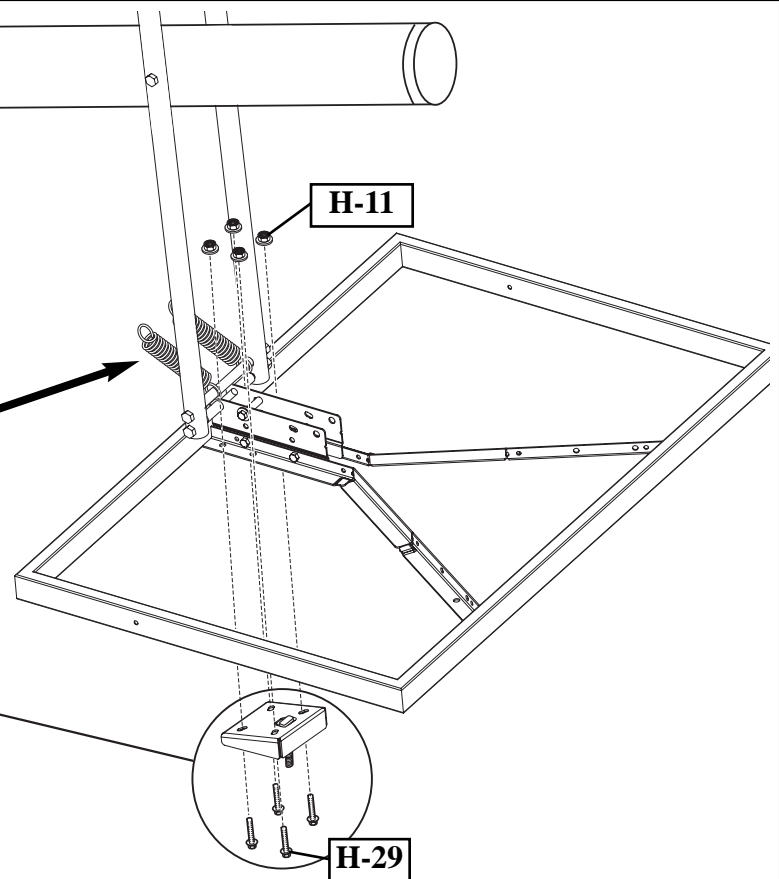
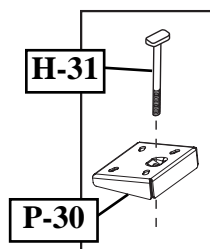
	WARNING!
	TIGHTEN BOLT (H-18) IN LOCK NUT (H-15) UNTIL FLUSH (EVEN) WITH LOCK NUT'S OUTER EDGE.



6.

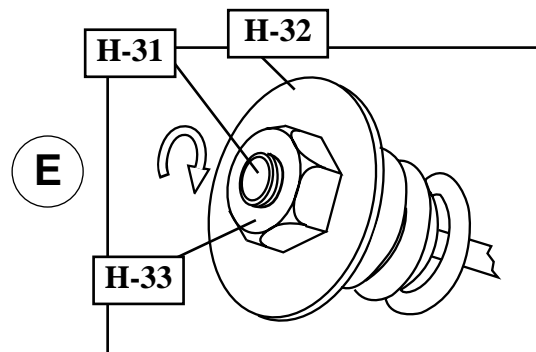
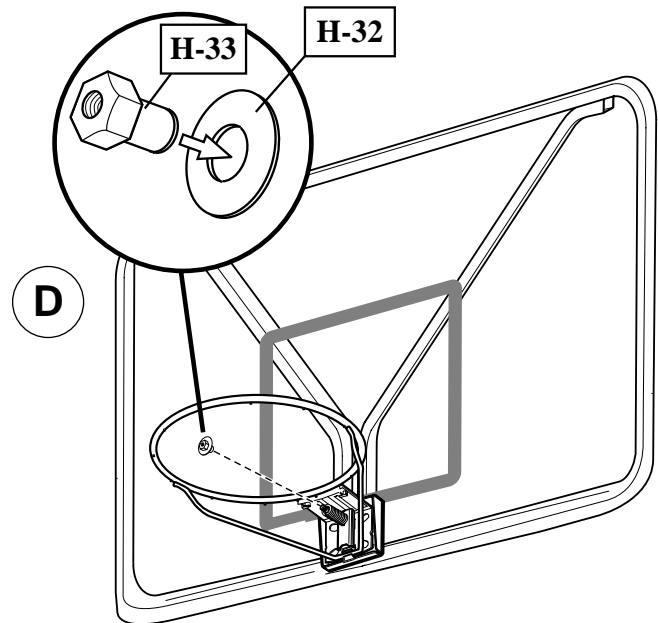
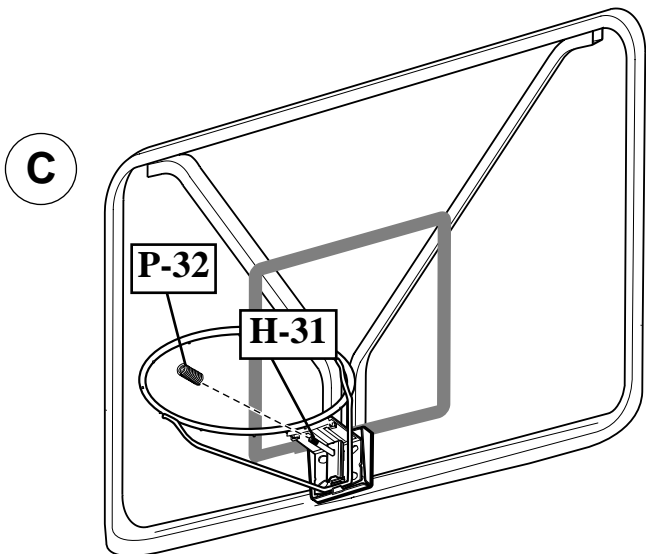
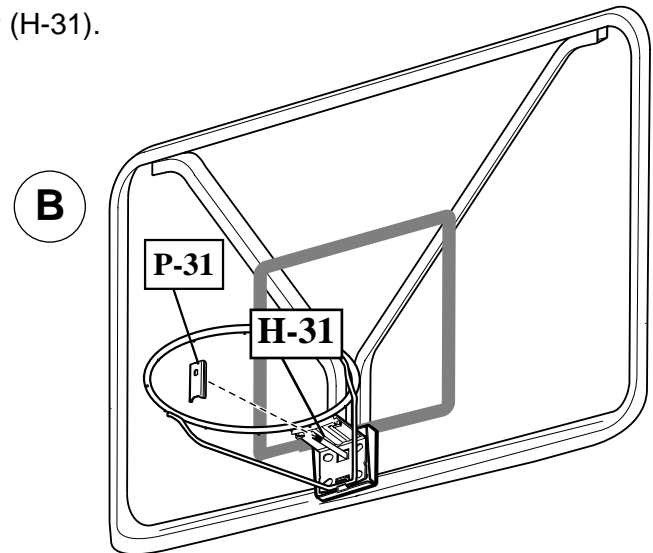
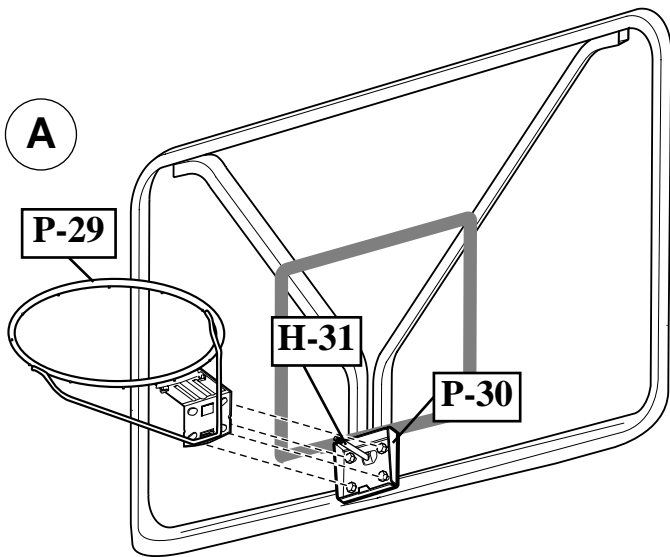
Insert T-bolt (H-31) into Slam Jam bracket (P-30) then, attach that assembly to board using bolts (H-29) and nuts (H-11).

	IMPORTANT!
	Position springs (P-12) against elevator tubes as shown



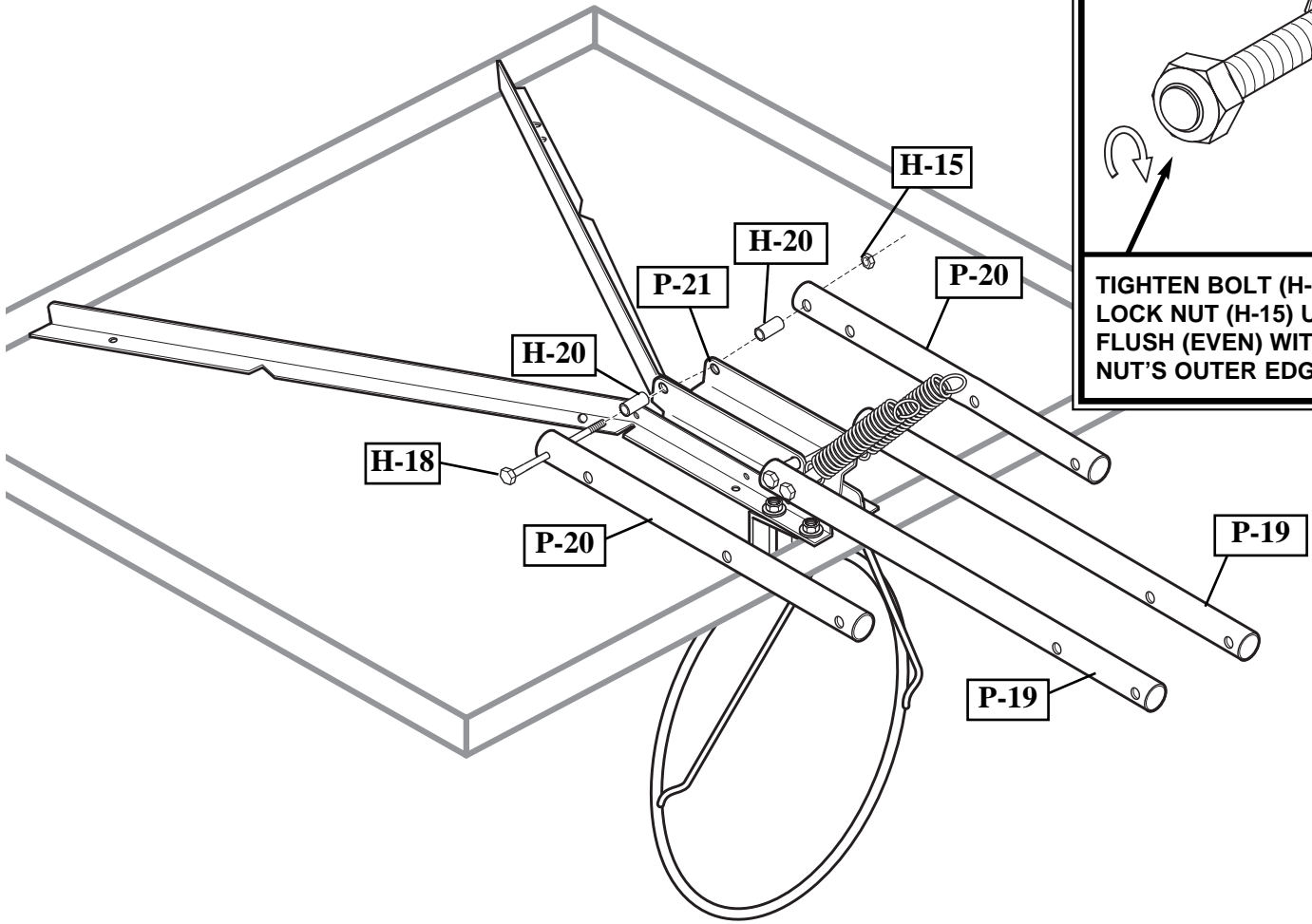
7.**Install Slam Jam Rim to Backboard**

- A. Fit rim (P-29) securely into bracket (P-30) as shown. Allow T-bolt (H-31) to slip through center hole in rim (P-29).
- B. Install reinforcement bracket (P-31) onto T-bolt (H-31) as shown.
- C. Install spring (P-32) onto T-bolt (H-31) as shown.
- D. Install special nut (H-33) and washer (H-32) onto T-bolt (H-31).
- E. Tighten nut (H-33) until flush with end of T-bolt (H-31).



8.

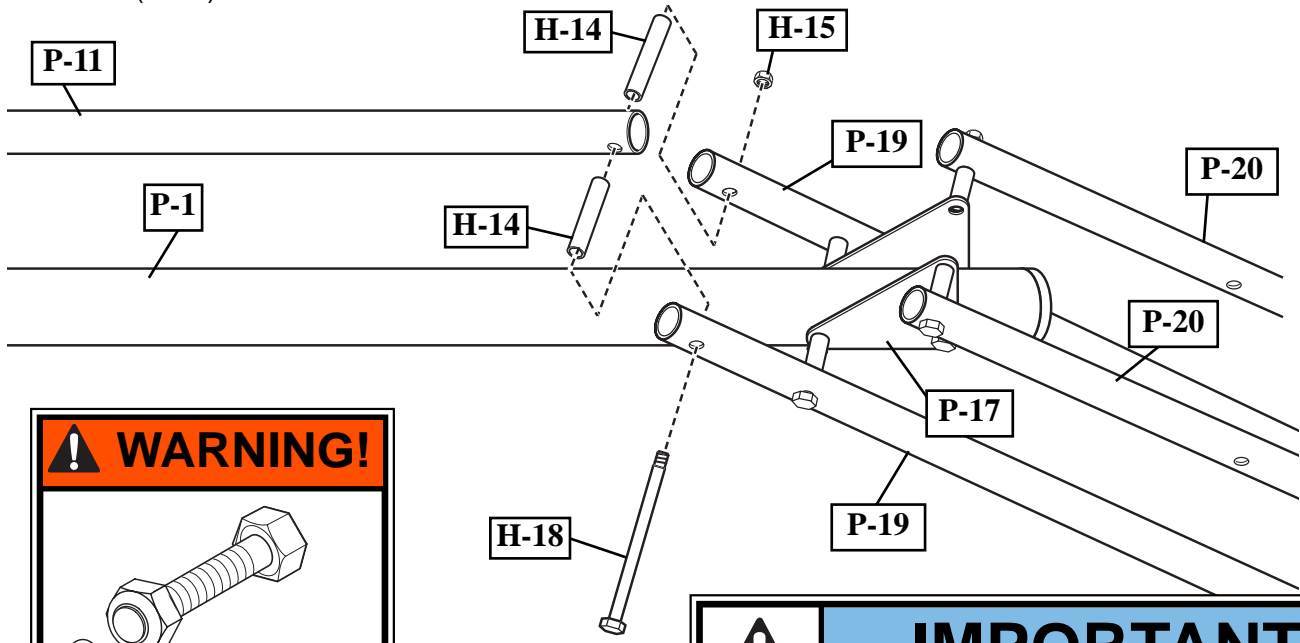
Assemble upper elevator tubes (P-20) to brackets using bolt (H-18), plastic spacers (H-20), and nut (H-15) as shown.



! WARNING!

TIGHTEN BOLT (H-18) IN LOCK NUT (H-15) UNTIL FLUSH (EVEN) WITH LOCK NUT'S OUTER EDGE.

9. Install handle assembly (P-10 and P-11) to lower elevator tubes (P-19) using bolt (H-18), spacers (H-14), and nut (H-15) as shown.



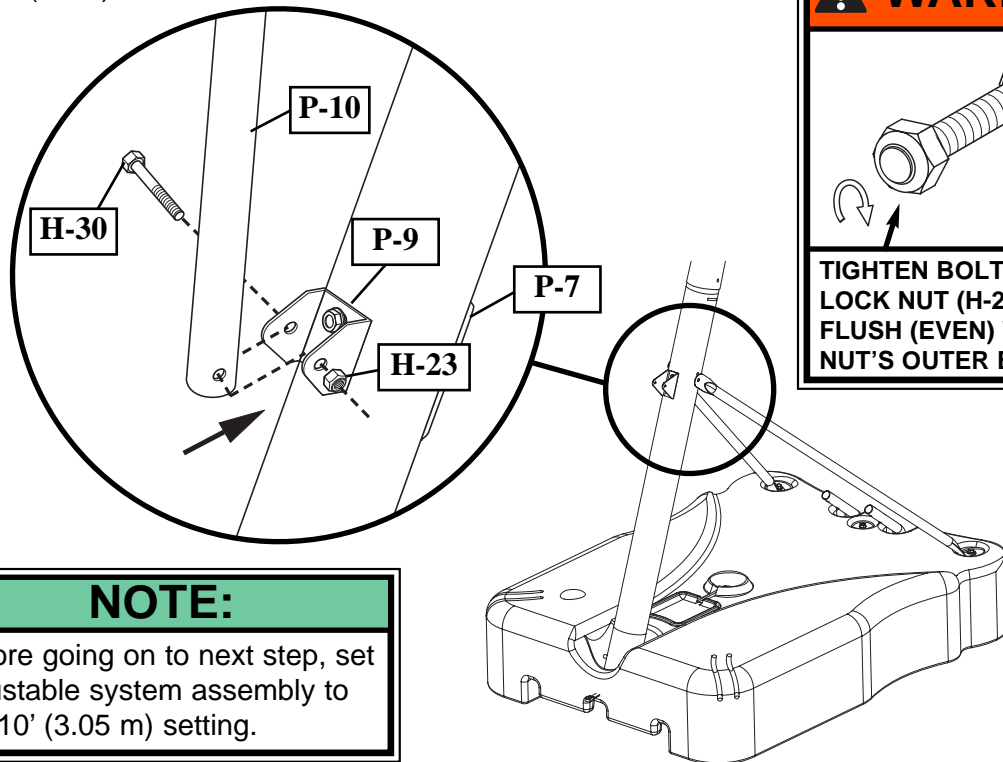
! WARNING!

TIGHTEN BOLT (H-18) IN LOCK NUT (H-15) UNTIL FLUSH (EVEN) WITH LOCK NUT'S OUTER EDGE.

! IMPORTANT!

Note orientation of handle.

10. Secure the handle assembly (P-10 & P-11) to pole bracket (P-9) using bolt (H-30) and nut (H-23) as shown.



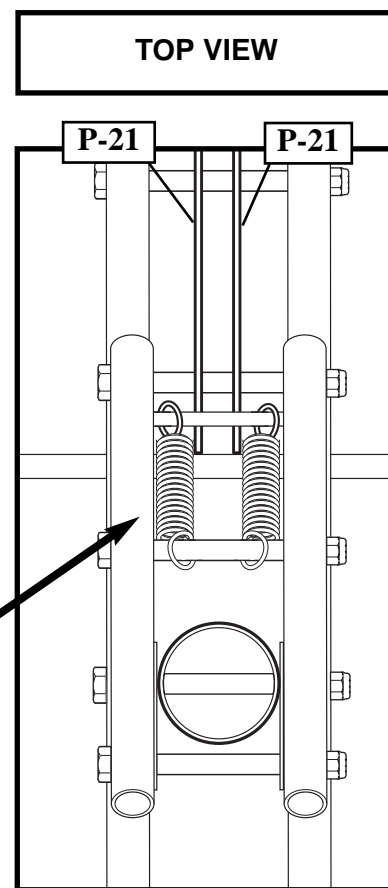
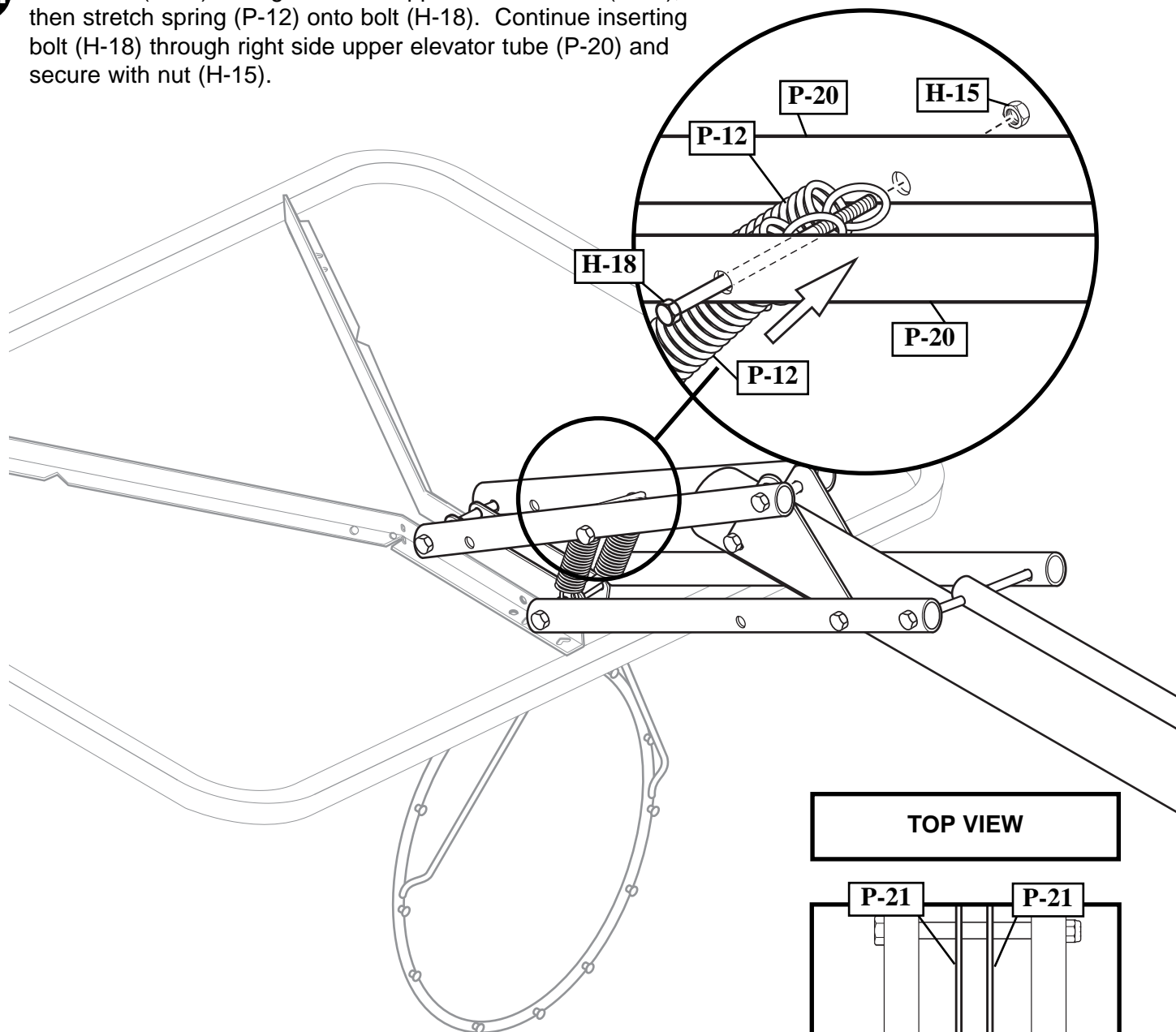
! WARNING!

TIGHTEN BOLT (H-30) IN LOCK NUT (H-23) UNTIL FLUSH (EVEN) WITH LOCK NUT'S OUTER EDGE.


NOTE:

Before going on to next step, set adjustable system assembly to the 10' (3.05 m) setting.

- 11.** Insert bolt (H-18) through left side upper elevator tube (P-20), then stretch spring (P-12) onto bolt (H-18). Continue inserting bolt (H-18) through right side upper elevator tube (P-20) and secure with nut (H-15).

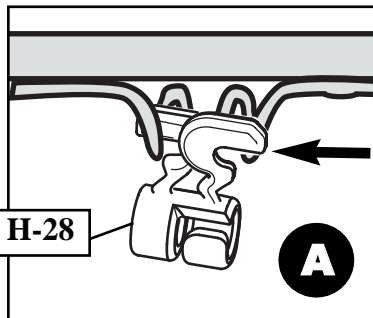
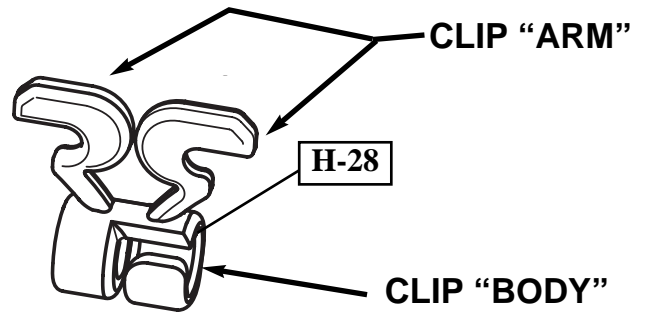


	<p>! WARNING!</p> <p>USE EYE PROTECTION WHEN INSTALLING SPRINGS.</p>
---	---

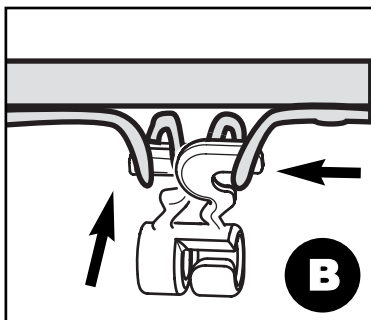
	<p>IMPORTANT!</p> <p>Position springs (P-12) against elevator tubes (away from brackets (P-21) as shown).</p>
---	--

12. Install net clips (H-28).

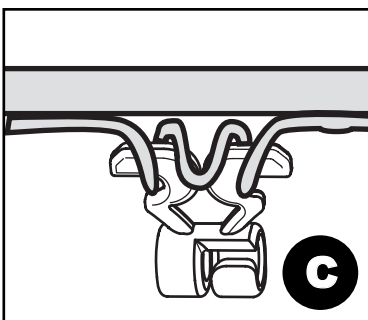
	! WARNING!
	USE OF THIS PRODUCT WITHOUT PROPER INSTALLATION OF SMART CLIPS®, OR WHEN ALL SMART CLIPS® ARE NOT PRESENT COULD RESULT IN BODILY HARM. BE SURE TO FOLLOW DIRECTIONS CAREFULLY.



Insert one "arm" of clip into ram as shown. Twist "body" of clip slightly so that second "arm" slides over the top of the first "arm" as shown. Push in direction indicated by arrows.

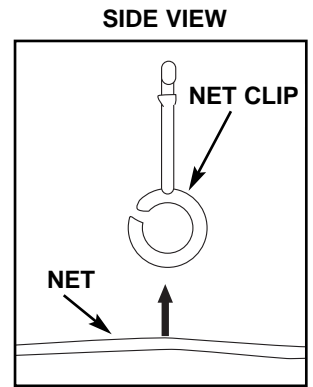
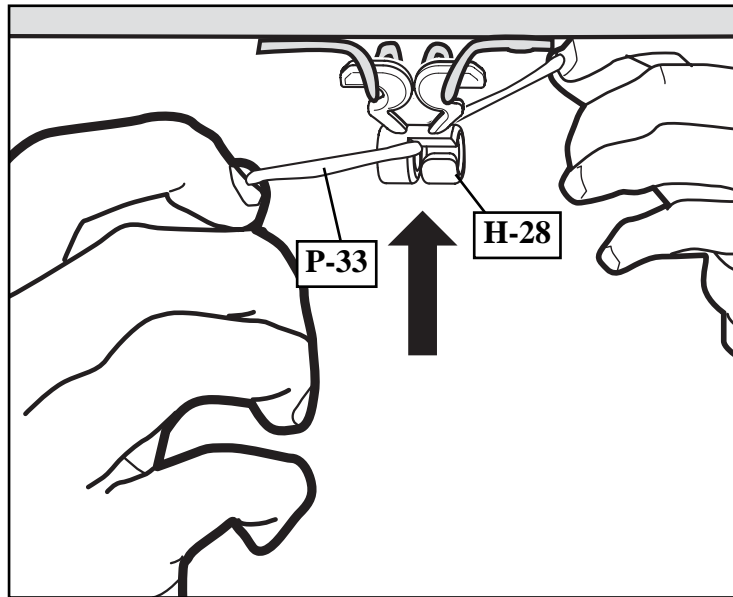


Push second "arm" back and into ram as shown.

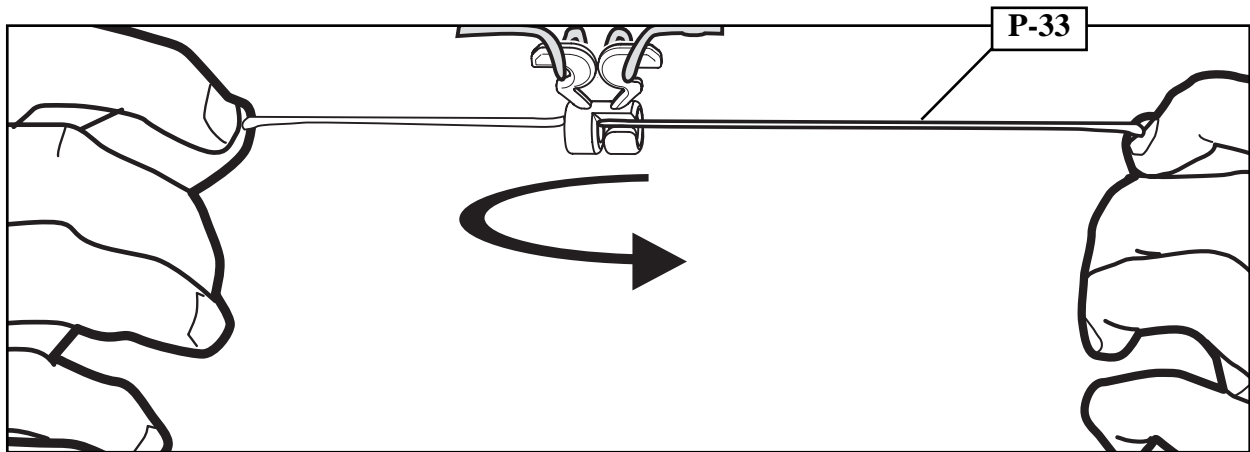


Twist "body" of clip slightly again to spread "arms" of clip. Clip "arms" must be flat and touching edge-to-edge as shown, without overlapping.

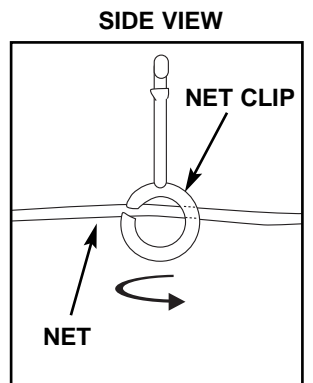
13. Install net (P-33).



Insert net into bottom of clip as shown.

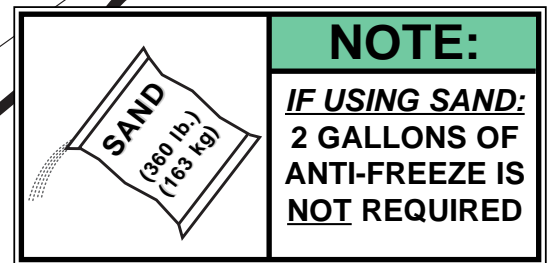
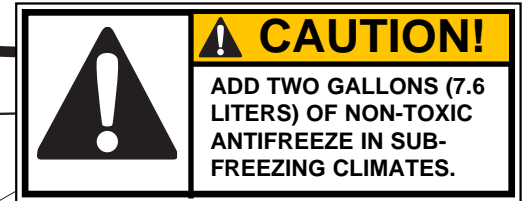
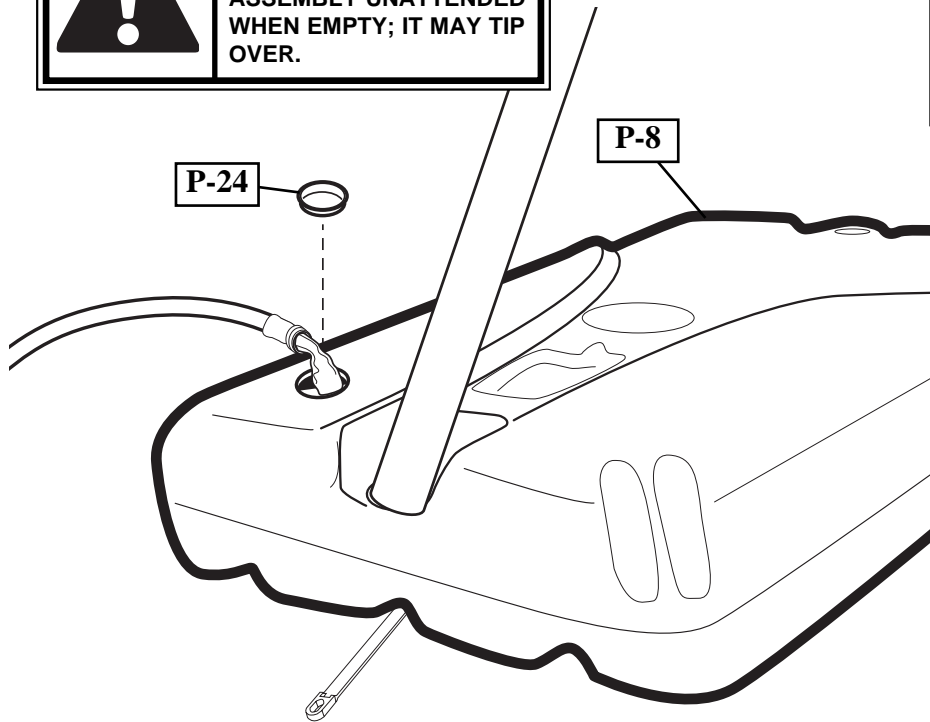


Twist net until it snaps into position.
Net must be centered through clip.

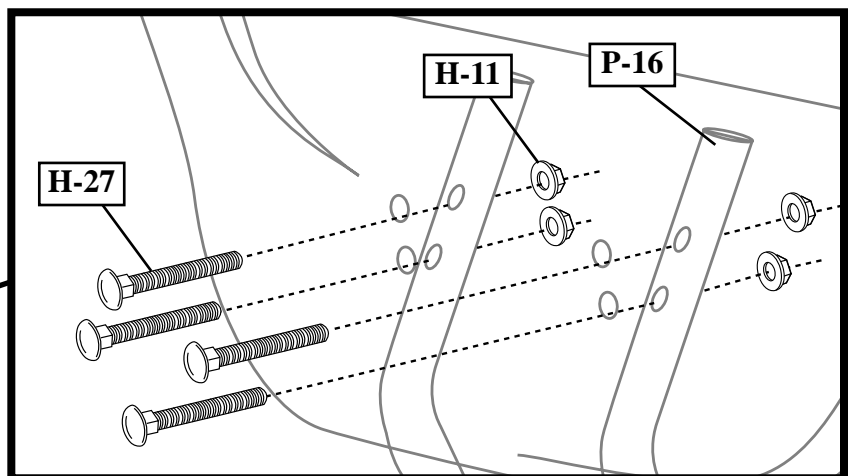
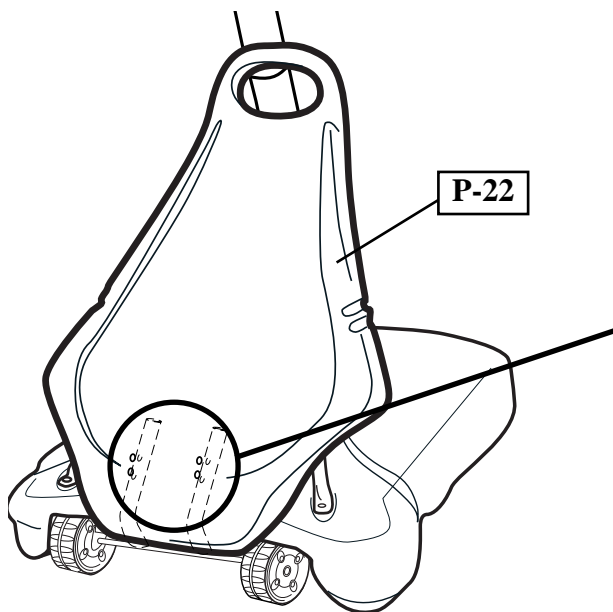


SECTION D: INSTALL FRONT COVER & HANDLE

1. Upright system and fill base (P-8) with water (approximately 40 gallons) and snap fill cap (P-24) in place.

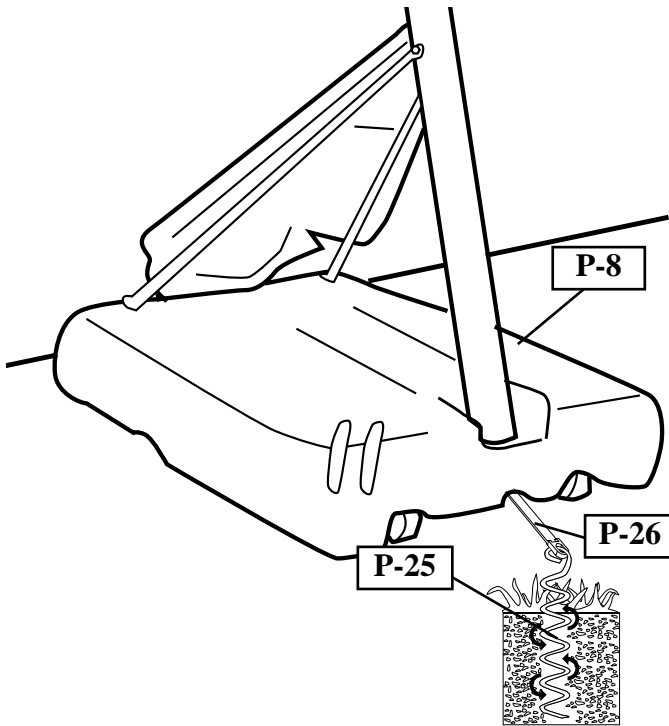


2. Attach front cover (P-22) to hinge tubes (P-16) using carriage bolts (H-27) and flange nuts (H-11) as shown.

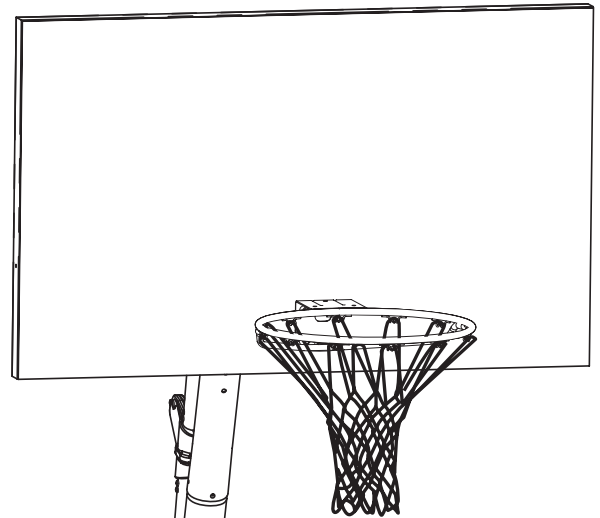
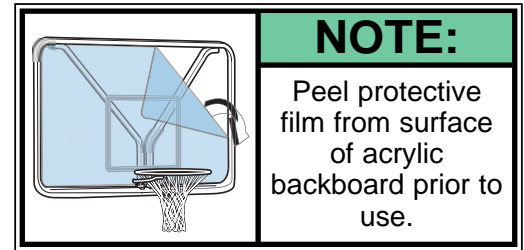


SECTION E: SECURING THE SYSTEM & APPLYING LABEL

- 1.** Roll assembly to desired playing area. Secure assembly to ground using strap (P-26) and tie down stake (P-25).



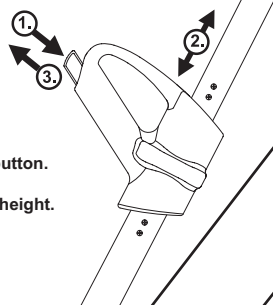
- 2.** Apply Height Adjustment and Moving Label (P-27) to front of pole, where it is clearly visible.



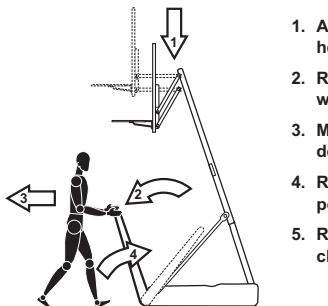
HEIGHT ADJUSTMENT

TO ADJUST BACKBOARD:

1. Grasp handle and press button.
2. Raise or lower to desired height.
3. Release button.

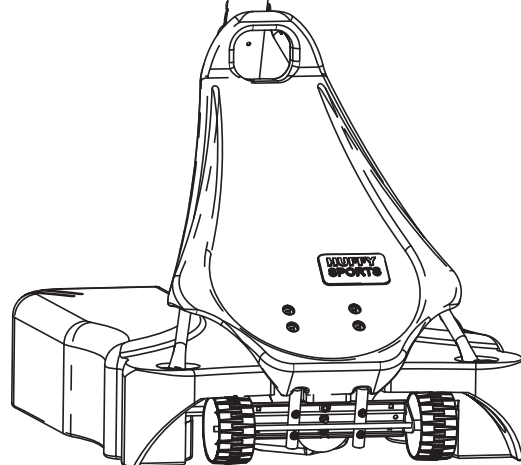


MOVING SYSTEM



1. Adjust basketball backboard height to lowest position.
2. Rotate handle forward until wheels engage ground.
3. Move basketball system to desired location.
4. Rotate handle back to original position.
5. Reattach ground restraint and check system for stability.

204532 11/04



Free Manuals Download Website

<http://myh66.com>

<http://usermanuals.us>

<http://www.somanuals.com>

<http://www.4manuals.cc>

<http://www.manual-lib.com>

<http://www.404manual.com>

<http://www.luxmanual.com>

<http://aubethermostatmanual.com>

Golf course search by state

<http://golfingnear.com>

Email search by domain

<http://emailbydomain.com>

Auto manuals search

<http://auto.somanuals.com>

TV manuals search

<http://tv.somanuals.com>