

# HYDRA-RIB™

A Huffy Sports Company

WRITE IN YOUR MODEL NUMBER:

Customer Service Center  
N53 W24700 South Corporate Circle  
Sussex, WI 53089  
U.S.A.

## In-Ground Basketball System Owners Manual

### SAFETY INSTRUCTIONS

FAILURE TO FOLLOW THESE SAFETY INSTRUCTIONS MAY RESULT IN SERIOUS INJURY, PROPERTY DAMAGE AND WILL VOID WARRANTY.

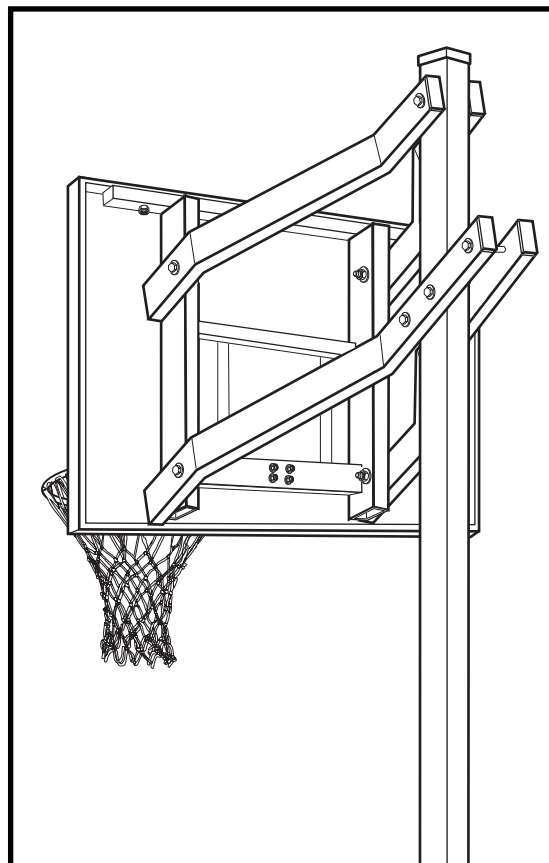
*Owner must ensure that all players know and follow these rules for safe operation of the system.*

To ensure safety, do not attempt to assemble this system without following the instructions carefully. Proper and complete assembly, use and supervision is essential for proper operation and to reduce the risk of accident or injury. A high probability of serious injury exists if this system is not installed, maintained, and operated properly. Check entire box and inside all packing material for parts and/or additional instructional material. Before beginning assembly, read the instructions and identify parts using the hardware identifier and parts list in this document.

- If using a ladder during assembly, use extreme caution.
- Two (2) people are recommended for this operation.
- Seat the pole sections properly. Failure to do so could allow the pole sections to separate during play.
- Before digging, contact utility company to locate underground power cables, gas, and water lines. Ensure there are no overhead power lines within 20 ft. (7 m) radius of pole location.
- Climate, corrosion, excessive use, or misuse could result in system failure.
- If technical assistance is required, contact Huffy Sports.
- Minimum operational height is 6' 6" (1.98 m) to the bottom of backboard.
- This equipment is intended for home recreational use only and NOT excessive competitive play.
- Read and understand the warning label affixed to pole. Label is shown on page 2.
- The life of your basketball pole depends on many conditions. The climate, placement of the pole, the location of the pole, exposure to corrosives such as pesticides, herbicides or salts are all important.
- Adult supervision is recommended when adjusting height.
- Serious injury could occur if teeth/face come in contact with backboard, net, or rim.

*Most injuries are caused by misuse and/or not following instructions.  
Use caution when using this system.*

For more information on assembly, placement, proper use and maintenance, visit The American Basketball Council website at <http://www.smarthoops.com>.



### REQUIRED TOOLS AND MATERIALS:

- Three People
- Tape Measure
- Shovel and Post Hole Digger
- Concrete, 1260 lb. (572 kg) and Container to Mix
- Carpenter's Level
- (Two) Step Ladder 8 ft. (2.4 m)
- Wrenches: (Two) 1/2, 9/16, 3/4 (One) 3/8
- Marker
- Vice

### IMPORTANT! Have any questions?...Don't go back to the store!

We appreciate your purchasing one of our many fine products. We are sure that you will be very satisfied with your selection. Although great care and effort have been taken, occasionally problems may occur. To ensure prompt and correct handling of any problems, or to answer any questions, please contact our Toll-Free Customer Service Number listed below. **Service will be quicker if you have your Model Number (found on carton) and assembly instructions ready when calling. PLEASE WRITE YOUR MODEL NUMBER IN THE SPACE PROVIDED ABOVE.**

Toll-Free Customer Service Number for U.S: 1-800-558-5234

Internet Address: <http://www.hydra-rib.com>



# **WARNING**

**FAILURE TO FOLLOW THESE WARNINGS MAY RESULT IN SERIOUS INJURY AND/OR PROPERTY DAMAGE.**

*Owner must ensure that all players know and follow these rules for safe operation of the system.*

- See instruction manual for proper installation.
- **DO NOT HANG** on the rim or any part of the system including backboard, support braces or net.
- During play, especially when performing dunk type activities, keep player's face away from the backboard, rim and net. Serious injury could occur if teeth/face come in contact with backboard, rim or net.
- Do not slide, climb, shake or play on pole.
- When adjusting height, keep hands and fingers away from moving parts.
- Do not allow children to move or adjust system.
- During play, do not wear jewelry (rings, watches, necklaces, etc.); objects may entangle in net.
- Keep organic material away from pole base. Grass, litter, etc. could cause corrosion and or deterioration.
- Check pole system for signs of corrosion (rust, pitting, chipping) and repaint with exterior enamel paint. If rust has penetrated through the steel anywhere, replace the pole immediately.
- Check system before each use for proper ballast, loose hardware, excessive wear and signs corrosion and repair before using.
- Check system before each use for instability.
- Never play on damaged equipment.
- Keep pole top covered with cap at all times.

## **HYDRA-RIB™**

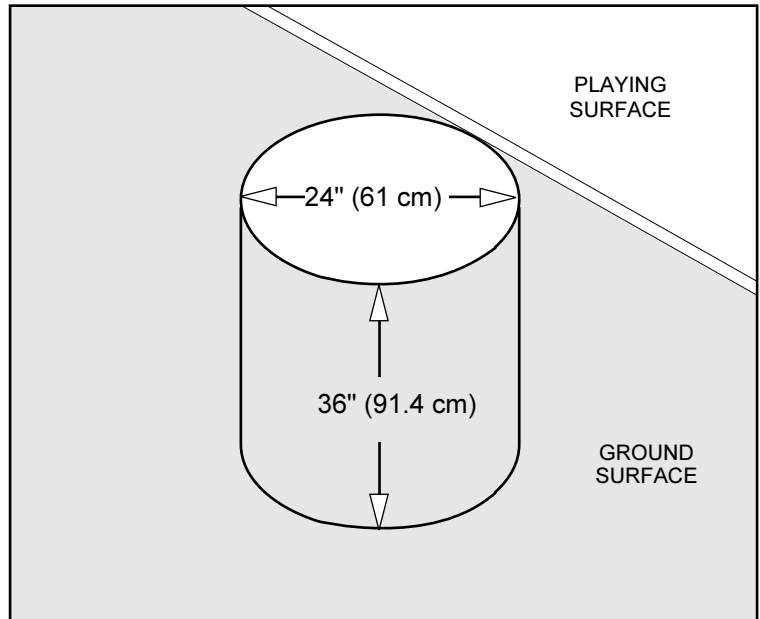
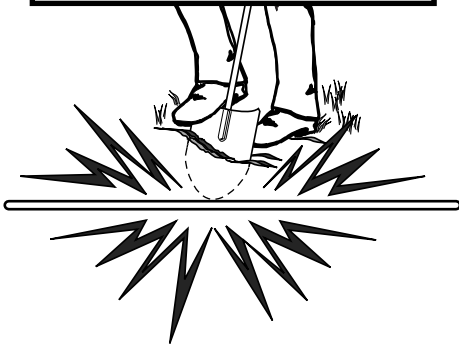
1-800-558-5234

201255 2/99

1. Ensure ground is level with playing surface, then dig pole hole.

## ⚠ WARNING

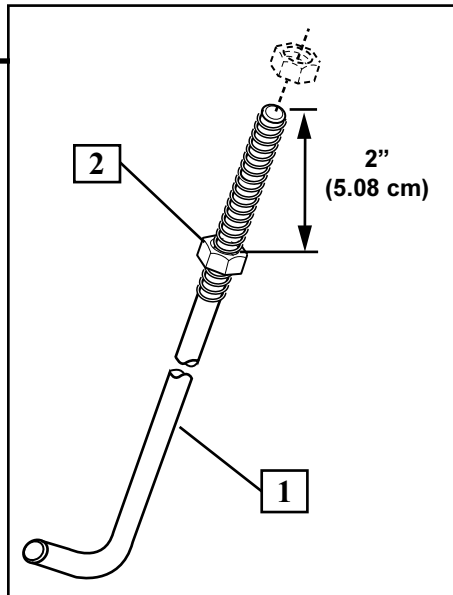
CONTACT UTILITIES  
BEFORE DIGGING.



2. Install nut (2) to J-bolt (1) as shown. Repeat procedure for other three J-bolts (1).

### IMPORTANT!

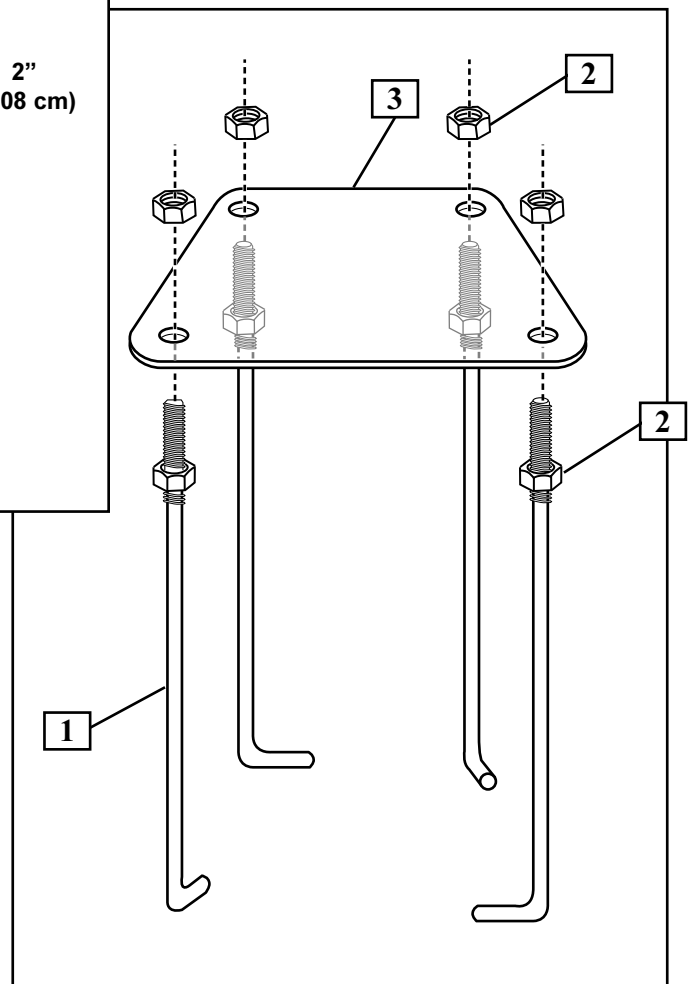
Make sure nuts are 2"  
(5.08 cm) from top of J-Bolts.

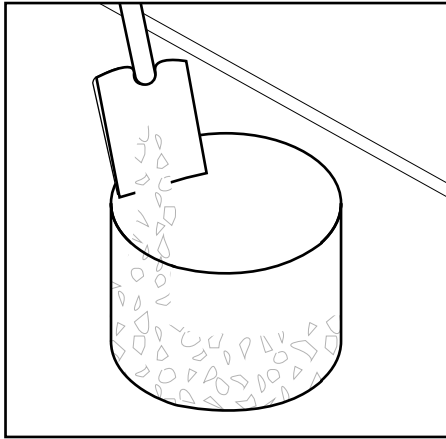


3. Install threaded ends of J-bolts (1) through holes in mounting plate (3) and secure as shown.

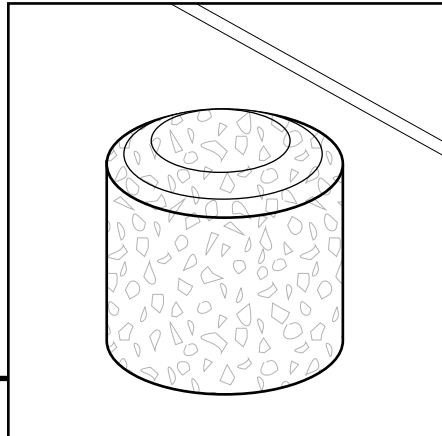
**NOTE:** Make sure J-bolts (1) are in the illustrated position.

**NOTE:** Nuts on the top of plate are used for leveling the pole after system is fully assembled.

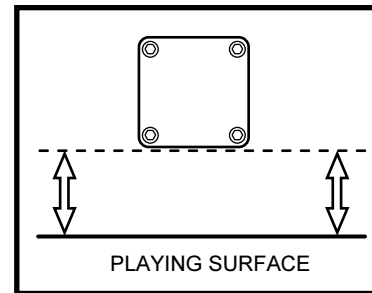




4. Fill hole with concrete. Tamp down concrete to release air pockets and build drainage hill.



5. Insert J-bolts (1) from mounting plate (3) into cement as shown. Move assembly around to release any air pockets in cement, then rest mounting plate on cement drainage hill. Apply some pressure to level mounting plate on top of drainage hill. Level mounting plate and square with playing surface. Clean off any excess cement on mounting plate at this time.

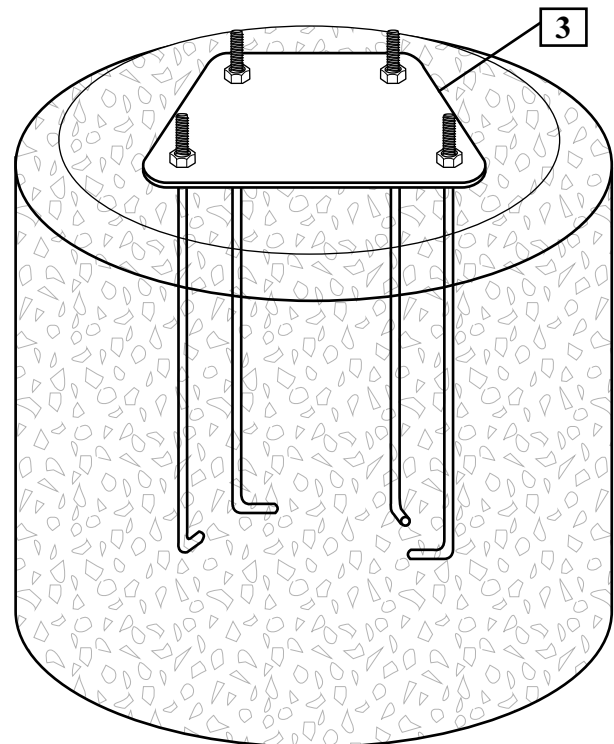


**NOTE:** Check leveling of mounting plate (3) several times while concrete is curing.

**IMPORTANT!**  
Front of mounting plate (3) must be parallel with playing surface.

**⚠ WARNING**

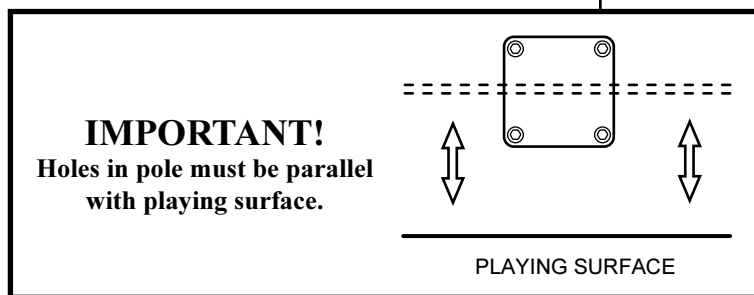
**DO NOT PROCEED TO STEP 6 UNTIL CONCRETE HAS CURED FOR A MINIMUM OF 72 HOURS. ALLOW ADDITIONAL TIME FOR COLD, WET OR HUMID WEATHER.**



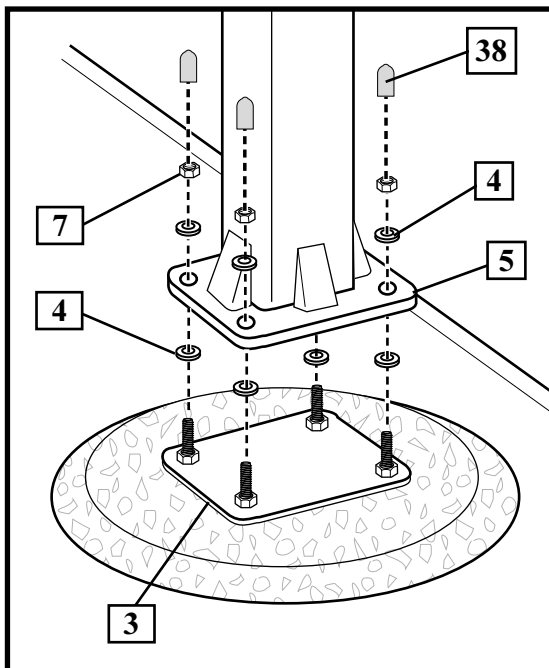
# ⚠ WARNING

TWO PERSON MINIMUM REQUIRED FOR THIS PROCEDURE. NOT FOLLOWING RECOMMENDATION MAY RESULT IN SERIOUS BODILY INJURY AND/OR PROPERTY DAMAGE.

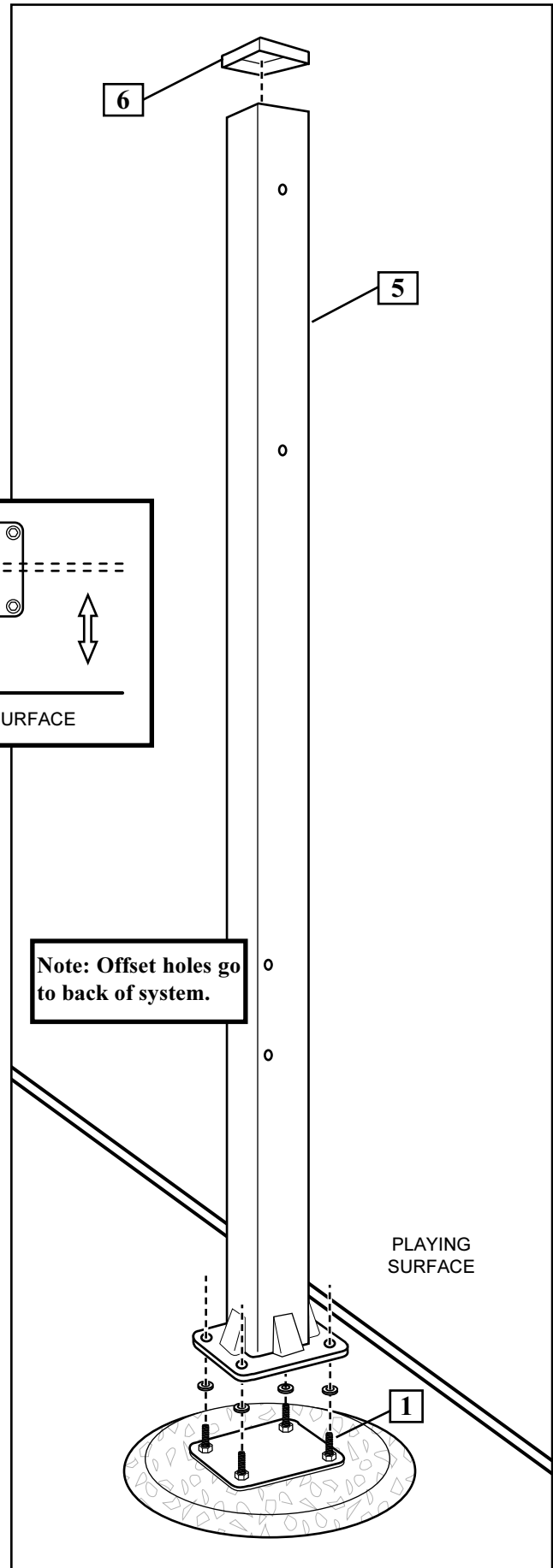
6. Upright pole (5). Assemble lower pole flange onto protruding J-bolts (1) as shown. The flange will then rest on the nuts (2) from Step 2.



7. Secure pole (5) flange to mounting plate (3) as shown. Tighten completely.



Note: Offset holes go to back of system.

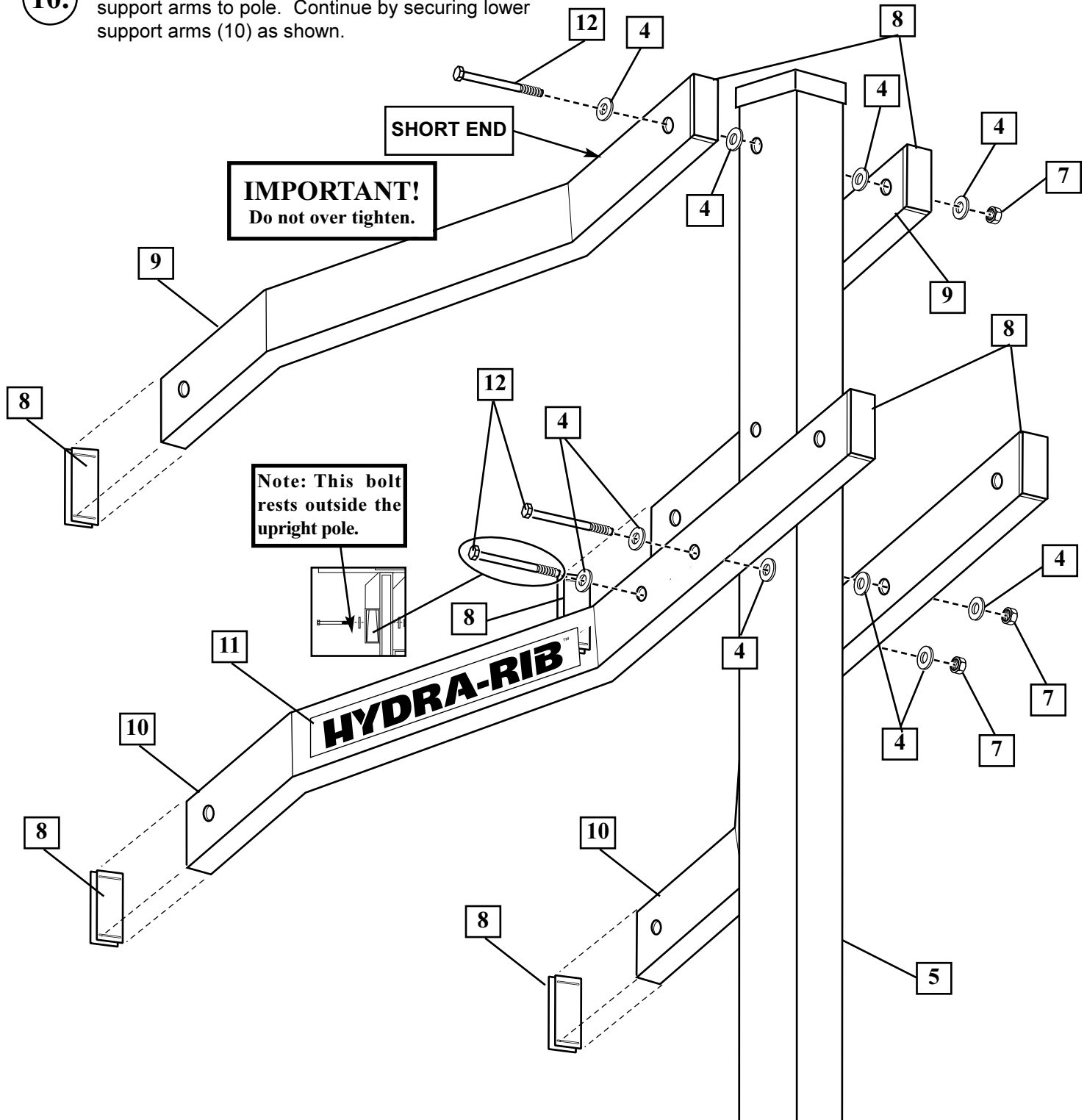


8. Insert caps (8) into end of each support arm (9 & 10) as shown. Tap firmly in position.

9. Apply logo label (11) to lower support arms (10) as shown. Repeat for opposite side.

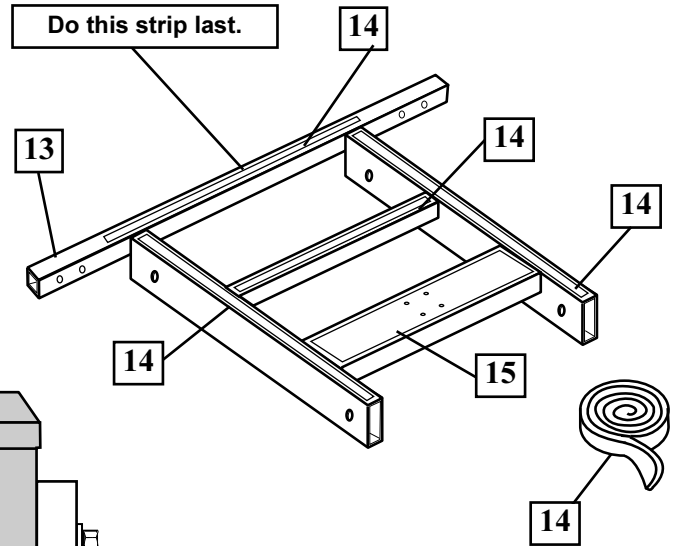
10. Beginning with upper support arms (9) secure support arms to pole. Continue by securing lower support arms (10) as shown.

**⚠ WARNING**  
TWO PERSON MINIMUM REQUIRED FOR THIS PROCEDURE. NOT FOLLOWING RECOMMENDATION MAY RESULT IN SERIOUS BODILY INJURY AND/OR PROPERTY DAMAGE.

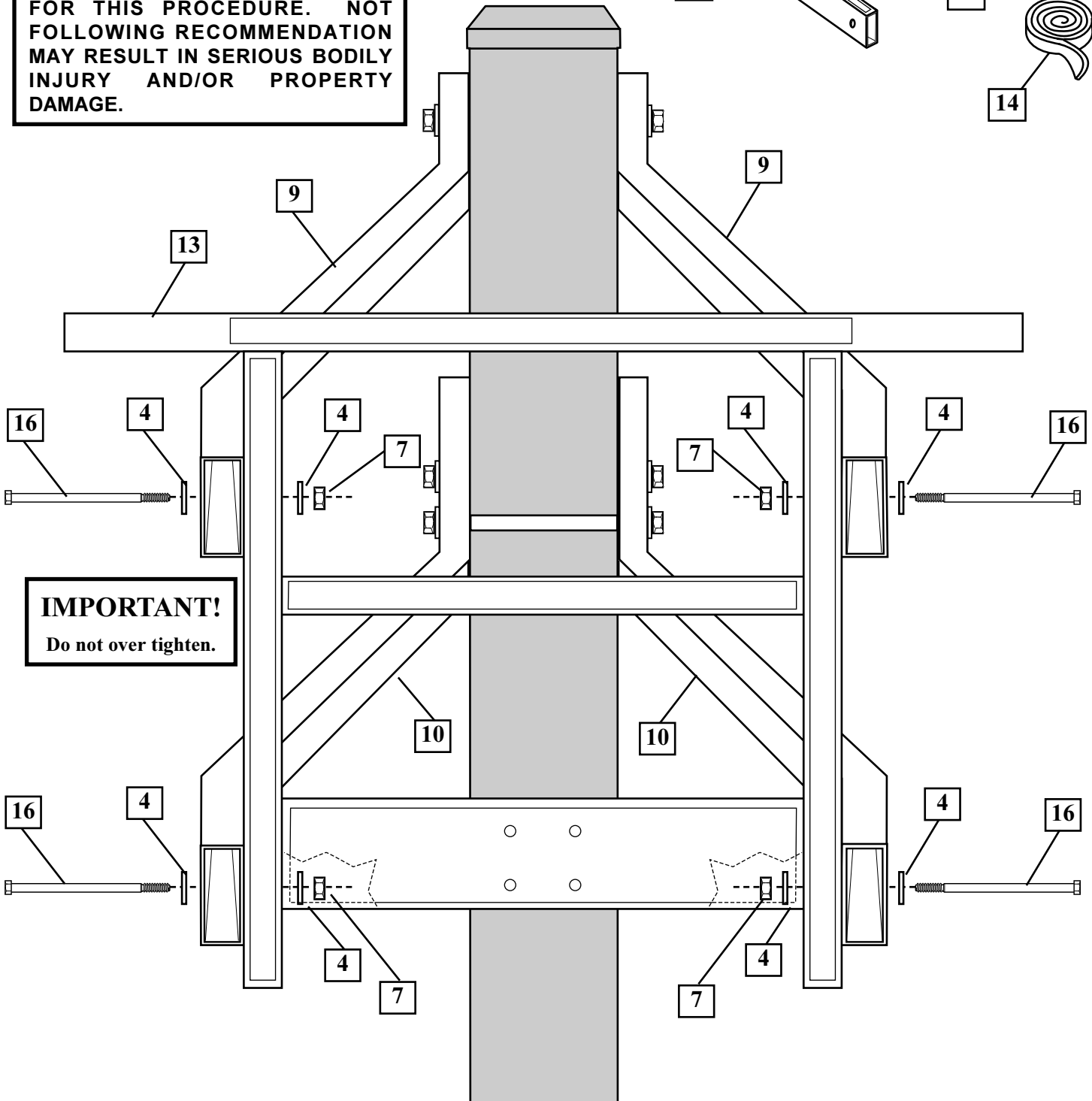


- 11.** Cut foam stripping (14) to sizes shown and attach to flat side of H-frame (13) as shown. Then secure H-frame to support arms (9 & 10).

**NOTE:** Install H-Frame (13) with foam stripping toward backboard.

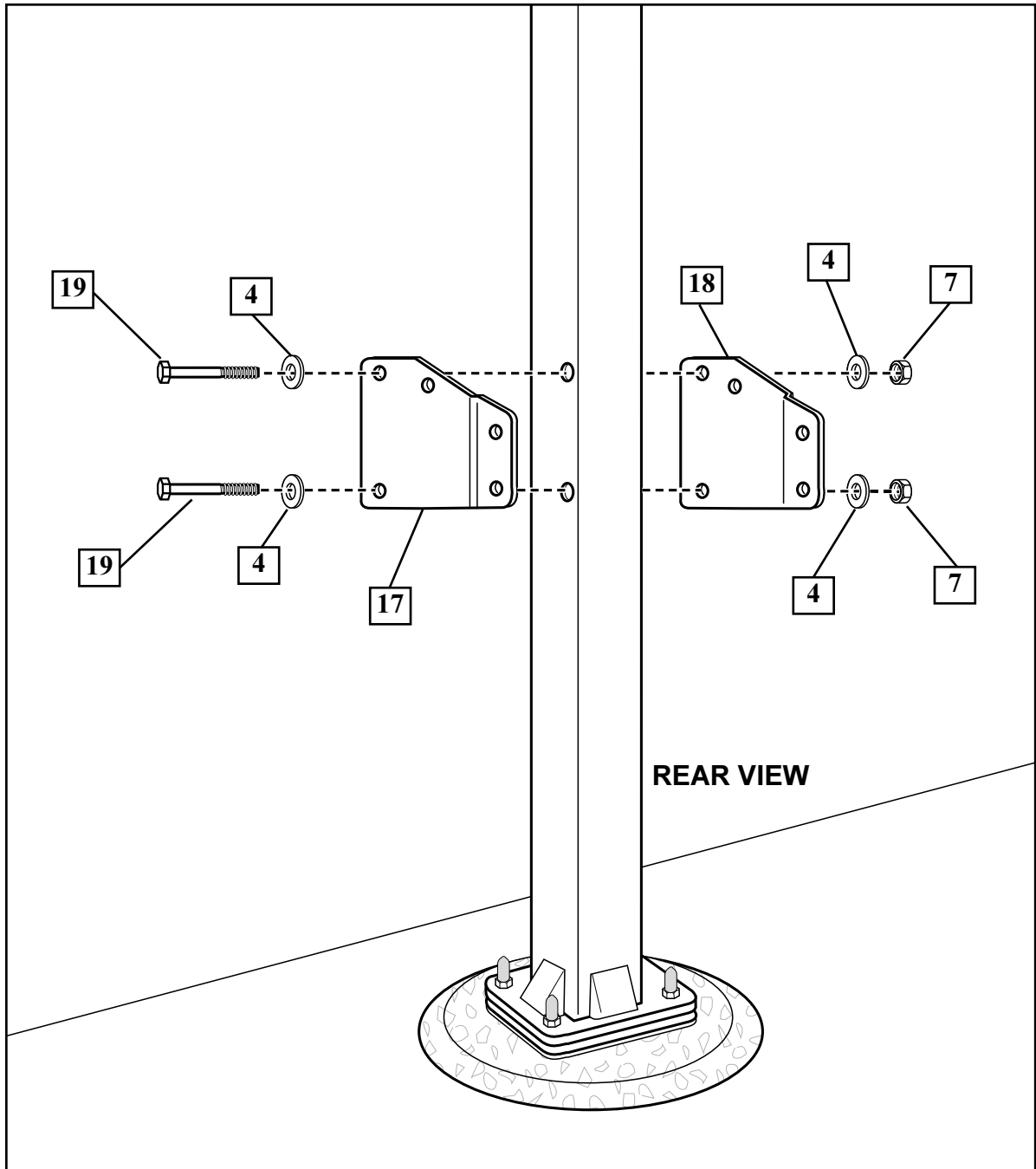


**⚠ WARNING**  
 TWO PERSON MINIMUM REQUIRED FOR THIS PROCEDURE. NOT FOLLOWING RECOMMENDATION MAY RESULT IN SERIOUS BODILY INJURY AND/OR PROPERTY DAMAGE.



**IMPORTANT!**  
 Do not over tighten.

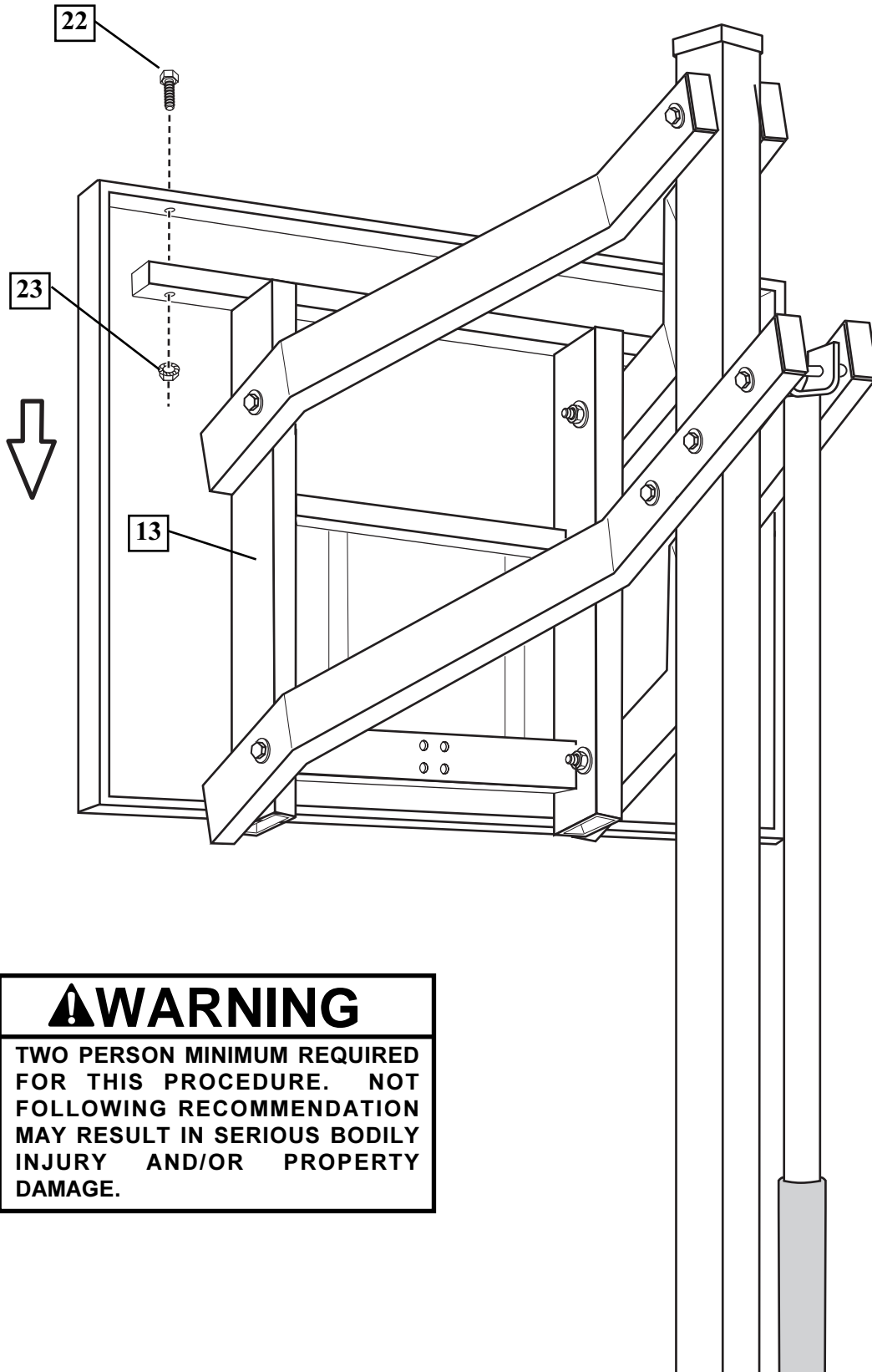
- 12.** Secure jack brackets (17 & 18) to lower holes in pole as shown.



**NOTE: REFER TO INSTRUCTION MANUAL ENCLOSED WITH ELEVATOR MECHANISM. INSTALL BACKBOARD AND GOAL AFTER INSTALLATION OF ELEVATOR MECHANISM.**



13. After Installation of elevator mechanism, position H-frame assembly to lowest point. Hang backboard onto H-frame (13). **NOTE: Backboard frame will rest on top of H-frame.** Secure backboard with hardware as shown-**ONLY** Fingertighten bolts (21) with nuts (22). Repeat procedure for opposite side.



## **⚠ WARNING**

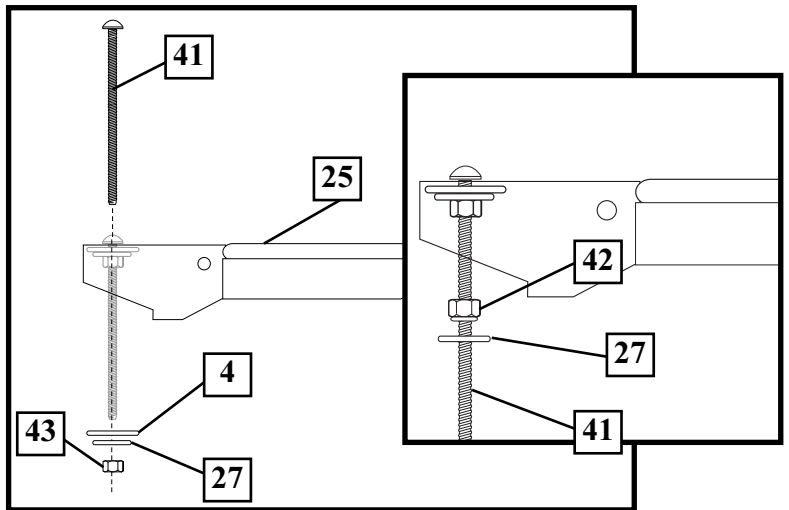
**TWO PERSON MINIMUM REQUIRED FOR THIS PROCEDURE. NOT FOLLOWING RECOMMENDATION MAY RESULT IN SERIOUS BODILY INJURY AND/OR PROPERTY DAMAGE.**

## RIM ASSEMBLY & INSTALLATION

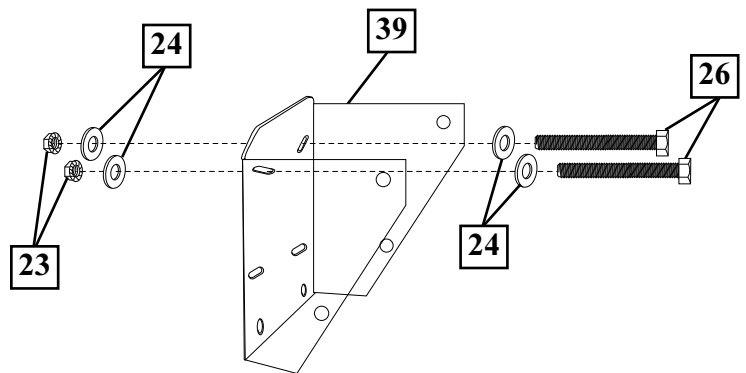
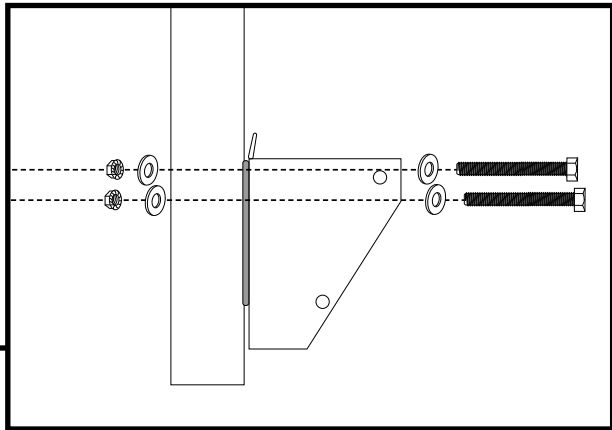
14. Install carriage bolt (41) through rim (25), washers (4) and (27) as shown. Tighten nut (43) completely. Place nut (42) about half-way up carriage bolt (41) as shown.

### ⚠ WARNING

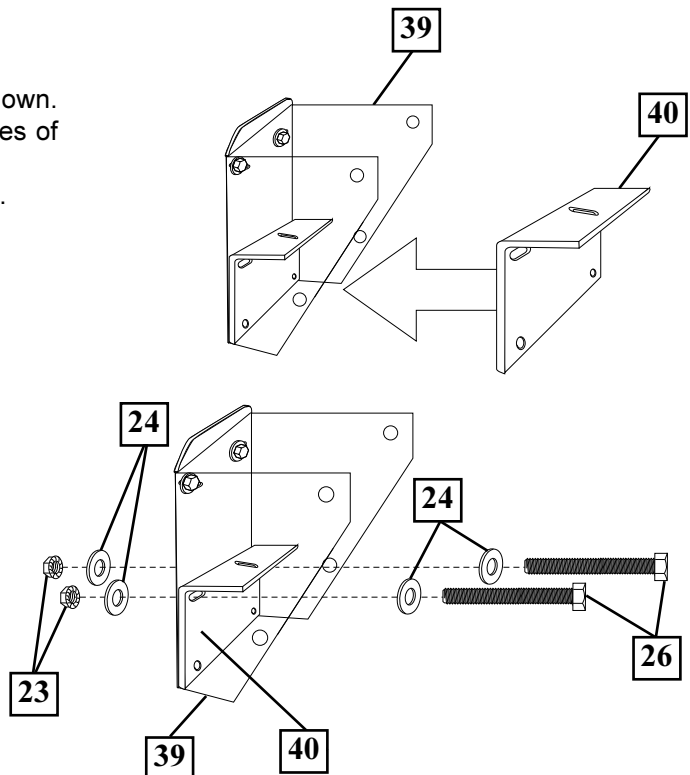
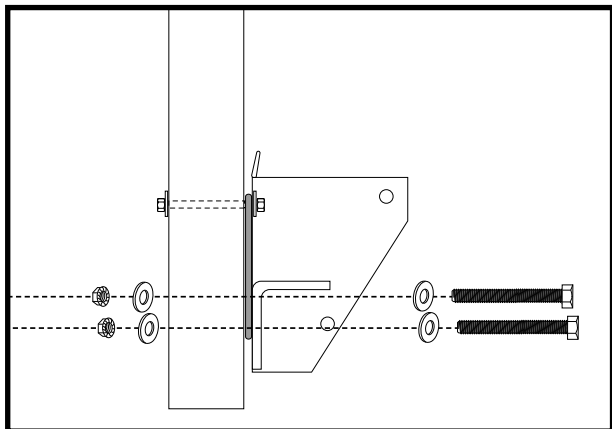
TWO PERSON MINIMUM REQUIRED FOR THIS PROCEDURE. NOT FOLLOWING RECOMMENDATION MAY RESULT IN SERIOUS BODILY INJURY AND/OR PROPERTY DAMAGE.



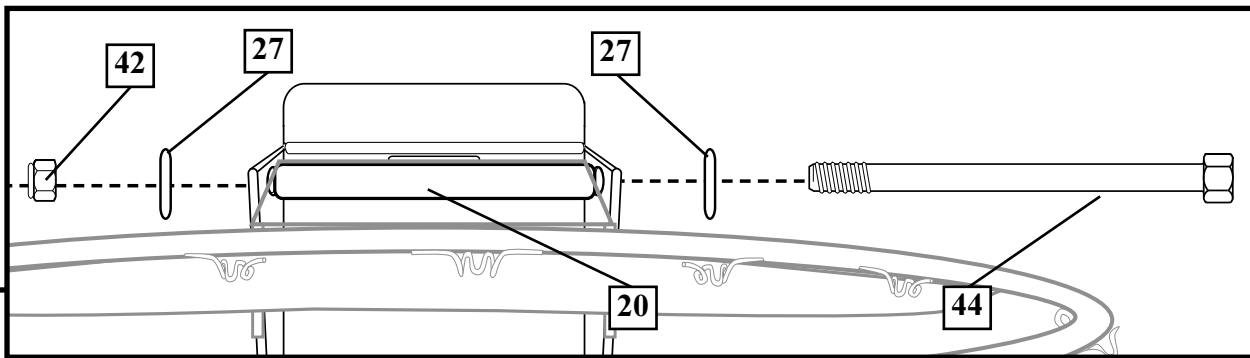
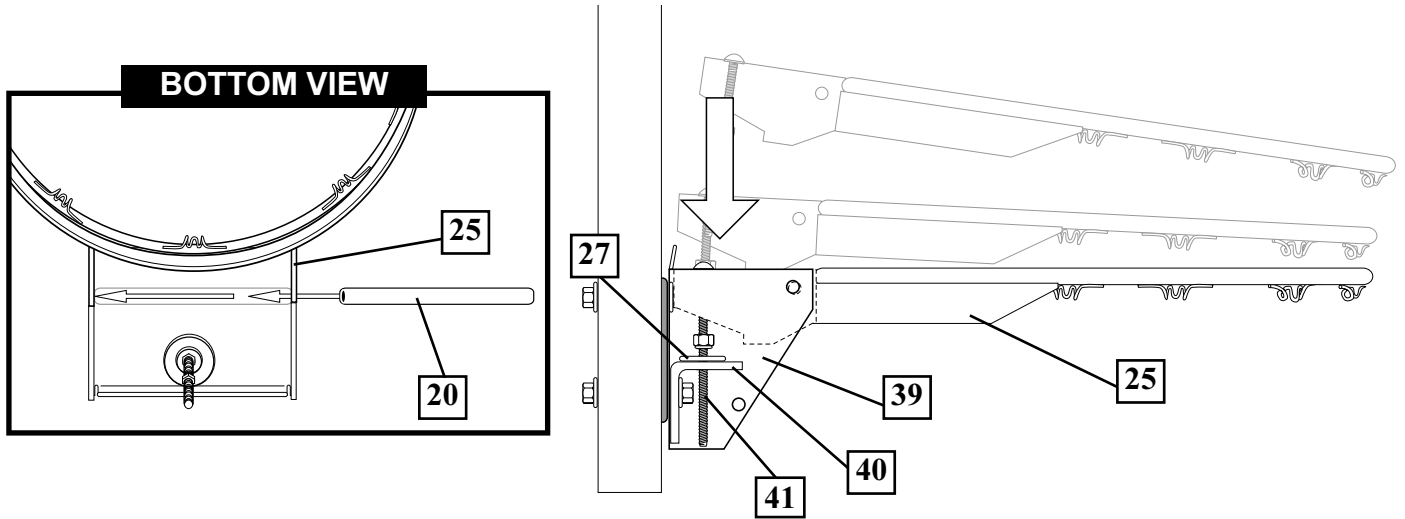
15. Attach bracket (39) to backboard and support structure by inserting bolts (26) and washers (24) through top holes in bracket (39). Tighten nuts (23) completely.



16. Insert inner bracket (40) into bracket (39) as shown. Insert bolts (26) and washers (24) through top holes of inner bracket (40) as shown, **\*FROM STEP 13-** Now tighten backboard/frame nuts (23) completely.

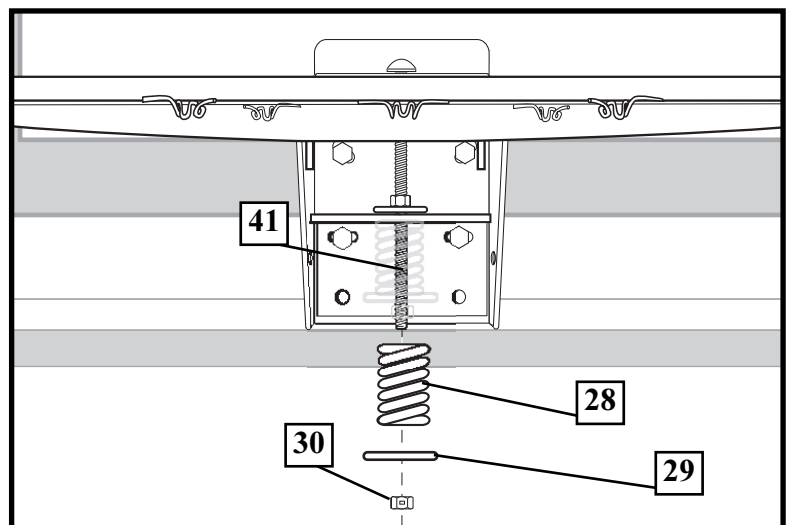


17. Insert spacer (20) through rim assembly (25). Place rim assembly on bracket (39) so that carriage bolt (41) is inserted through hole on top of inner bracket (40). Install hex bolt (44), washers (27) and nut (42) through top holes on bracket (39) through spacer (20) as shown. Tighten completely.



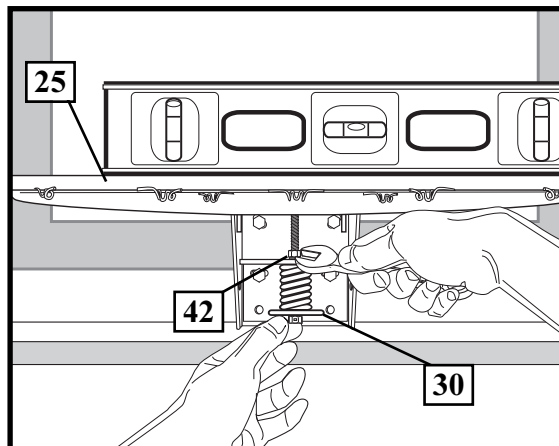
18. Install rubber grommet (28), concave washer (29) and center lock nut (30) to carriage bolt (41) as shown.

**NOTE**  
Do not over tighten as rim will not flex properly. See leveling instructions to determine how much to tighten nuts (42) and (30).



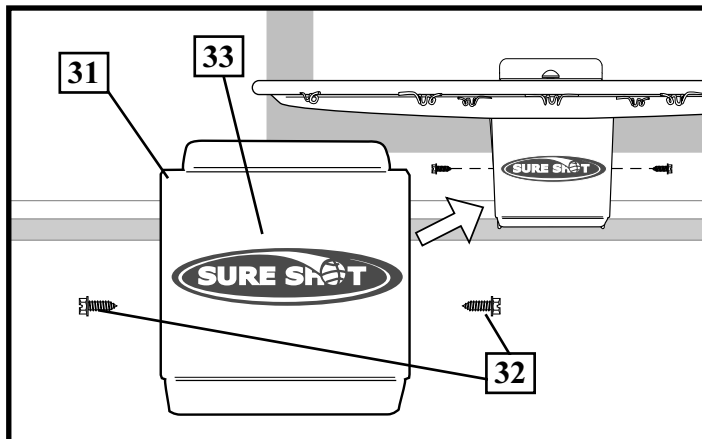
**19. LEVELING INSTRUCTIONS:**

Place level on rim (25) and adjust nut (42) until level. Tighten nut (30) to set rim tension for playing.

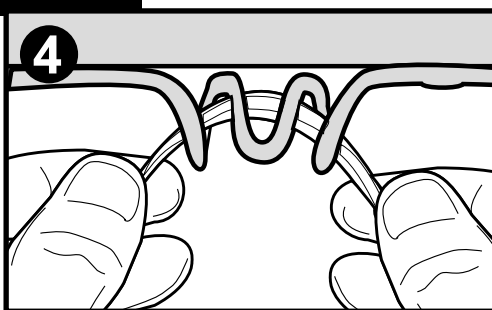
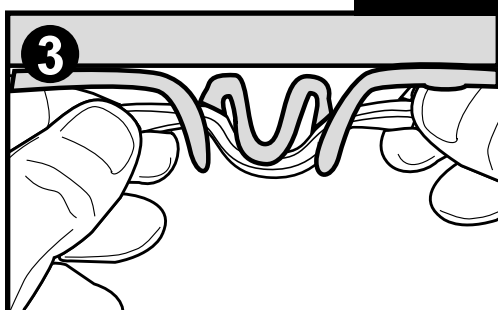
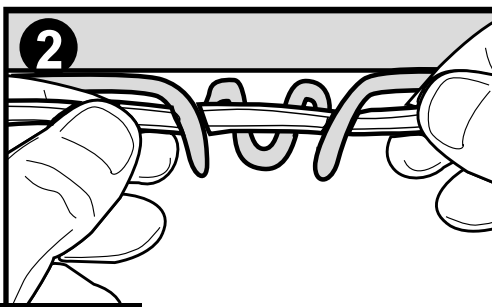
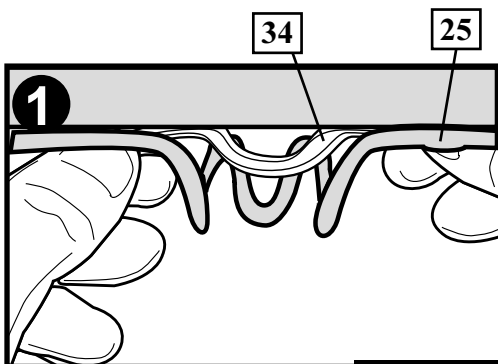


**20.** Apply logo label (33) to cover plate (31). Install cover plate (18) on rim (25) using self tapping screws (32) as shown.

**NOTE ORIENTATION OF COVER PLATE**

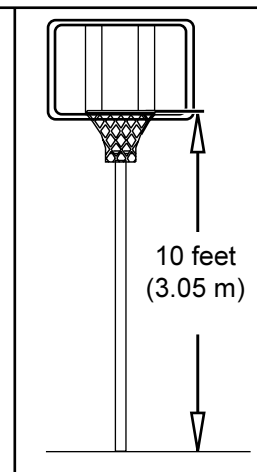


**21.** Secure net (34) to rim (25).



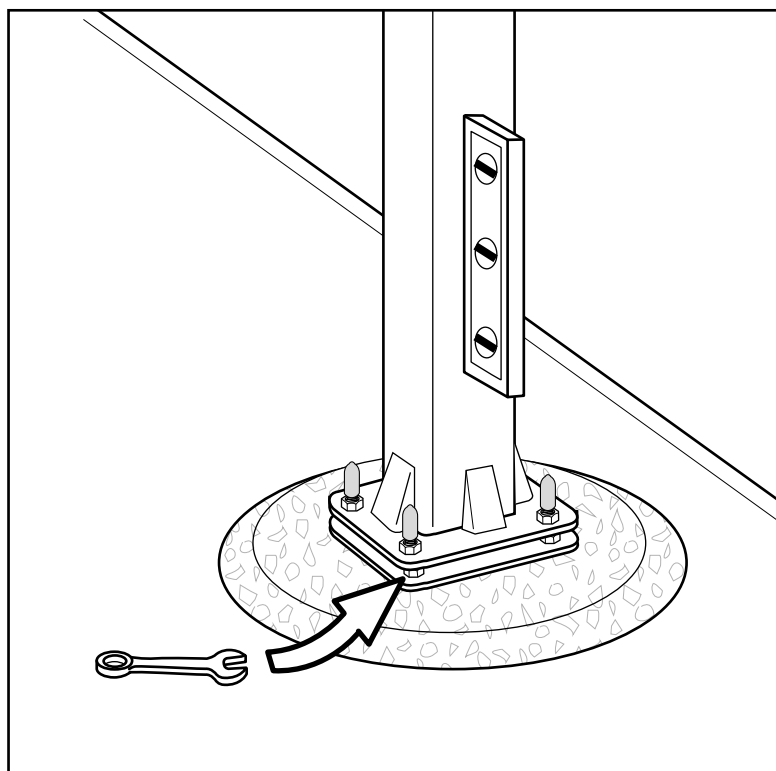
**OUTSIDE VIEW**

**NOTE: Official rim height is 10 ft. (3.05 m) from top of rim to playing surface.**



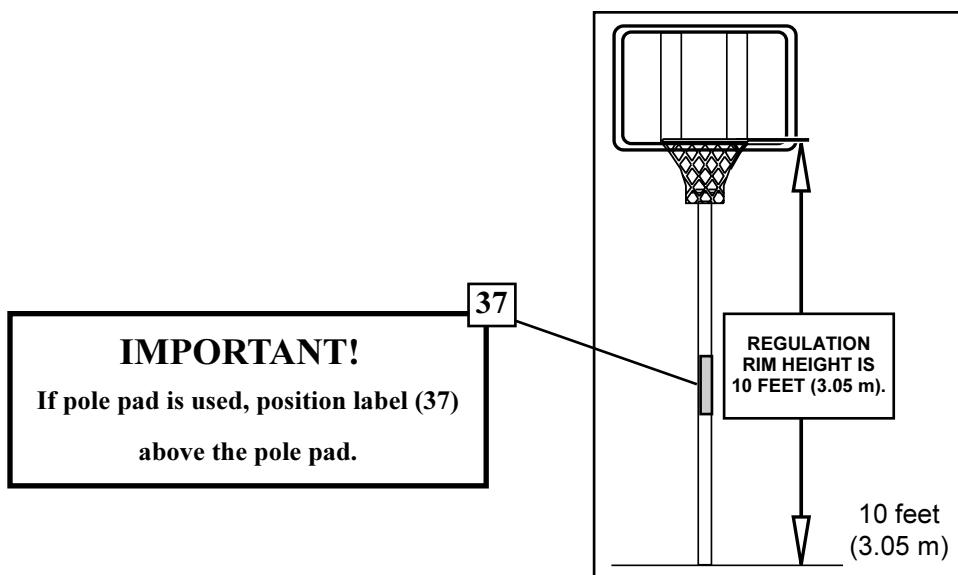
22.

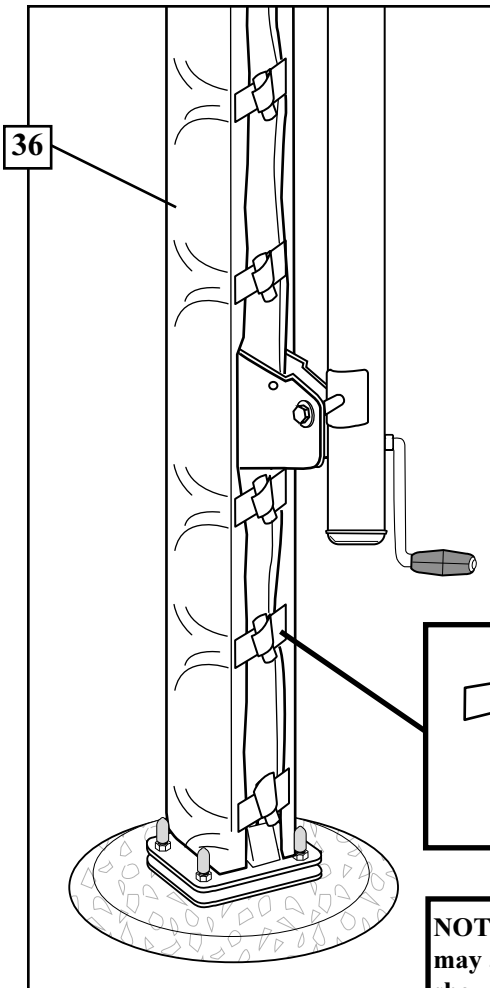
Check leveling at this time. Pole should be level in all directions. **NOTE: If adjustment is necessary, adjust system by rotating the nuts (2) between mounting plate (3) and pole flange. (Referred to in Step 6.)** After system is leveled, completely tighten nuts (7) above pole flange.



23.

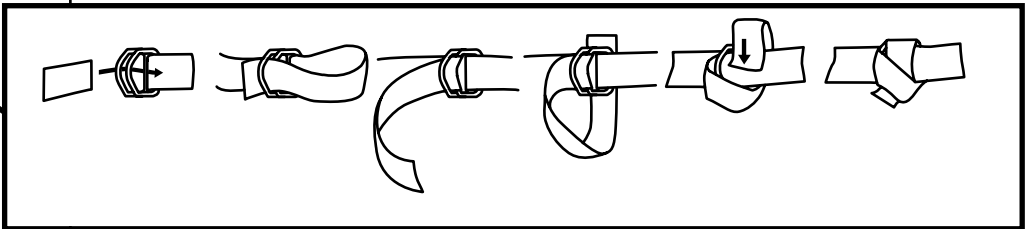
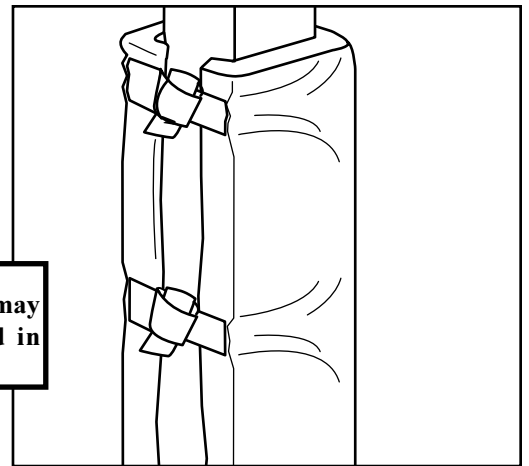
Apply height adjustment label (37) to front of pole as shown.





**24.** Secure pole pad (36) as shown.

**NOTE:** Pole pad may NOT be included in this model.

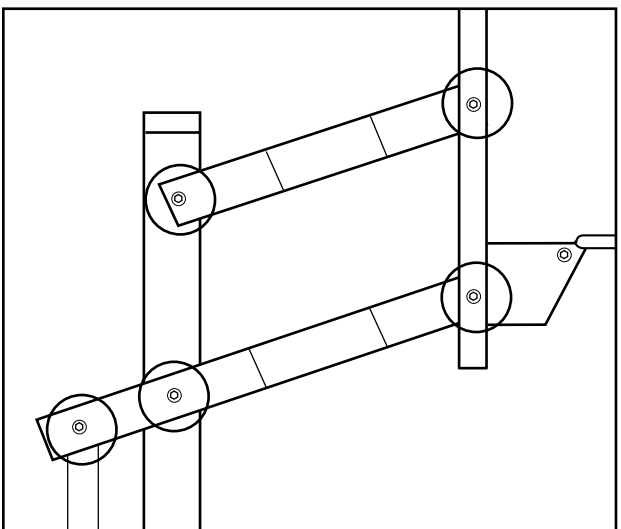


**NOTE:** Elevator mechanism may appear differently than shown.

**Height Adjustment**

Refer to height adjustment instructions for operating elevator mechanism.

**NOTE:** If height adjustment is difficult to operate, you may have over tightened the areas indicated. Refer to Step 10 and Step 11.

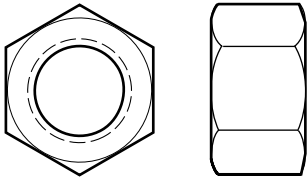


## PARTS LIST

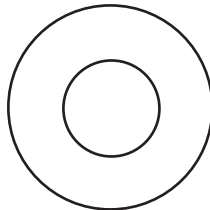
<u>Item</u>	<u>Qty.</u>	<u>Part No.</u>	<u>Description</u>	<u>Item</u>	<u>Qty.</u>	<u>Part No.</u>	<u>Description</u>
1	4	206677	J-Bolt, 1/2"-13 x 24"	23	8	203100	Nut, Hex Flange 5/16"-18
2	8	202459	Nut, Hex 1/2"-13	24	8	203218	Washer, Flat 5/16" x 7/8" O.D.
3	1	920578	Mounting Plate	25	1	920263	Rim, Orange
4	34*	203474	Washer, Flat 1/2" x 1" O.D.	26	4	201611	Bolt, Hex Flange, 5/16"-18 x 3"
5	1	980830	Pole	27	5*	203232	Washer, 3/4 O.D.
6	1	220590	Pole Cap, Square	28	1	200484	Spring
7	11	206340	Nylon Insert Lock Nut, Hex 1/2"-13	29	1	200323	Washer, Flat, 1.5"
8	8	220589	Cap, Arm Support Insert	30	1	201124	Nut, Hex Locking, 5/16-18
9	2	906658	Support Arm, 42" Long, (Upper)	31	1	960043	Cover Plate, Orange
10	2	906678	Support Arm, 52" Long, (Lower)	32	2	220140	Screw, Self Tapping, 1/4 - 20 x 1/2
11	2	220586	Logo Label, 15" x 1 3/4"	33	1	220569	Label Logo Circle
12	4	220588	Bolt, Hex Flange 1/2"-13 x 9"	34	1	204282	Net
13	1	908058	H-Frame	35	1	220565	Label, Height Indicator
14	1	206685	Foam Roll	36	1	206555	Pole Pad (May Not Be Included)
15	1	206681	Foam Pad, 4" x 28"	37	1	201262	Label, Height Adjustment
16	4	202856	Bolt, Hex Head, 1/2"-13 x 4"	38	4	200517	Bolt Covers
17	1	906277	Bracket, Jack Support (Left)	39	1	920262	Bracket, Orange
18	1	906276	Bracket, Jack Support (Right)	40	1	920038	Inner Bracket, Black
19	3	220048	Bolt, Hex Flange, 1/2"-13 x 6"	41	1	220065	Bolt, Carriage 3/8 x 5 1/2
20	1	220064	Spacer, 5 x 1/2" O.D.	42	2	203063	Nut, Hex Nylon Locking 3/8
21	2	206311	Spacer, Black .53" x 1/2"	43	1	203017	Nut, Hex 3/8
22	4	203113	Bolt, Hex Flange 5/16"-18 x 2 1/2"	44	1	203439	Bolt, Hex 3/8 x 6

\* You May Have Extra Parts With This Model.

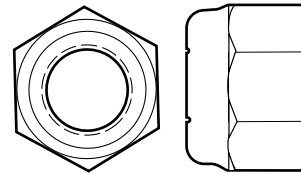
## HARDWARE IDENTIFIER



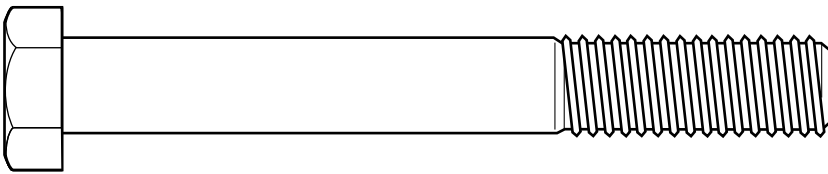
**Item #2 (8)**



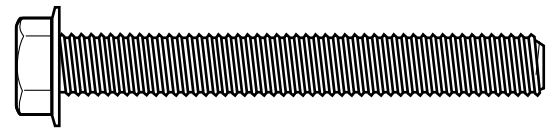
**Item #4 (34)\***



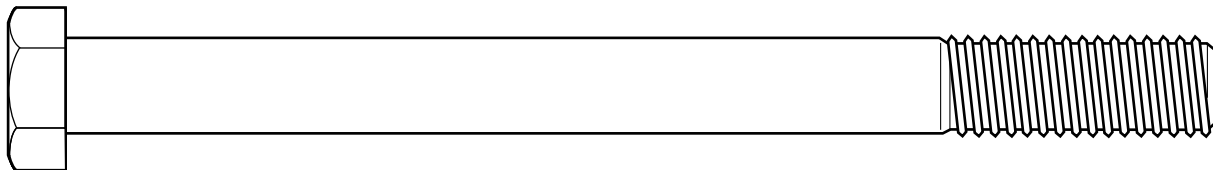
**Item #7 (11)**



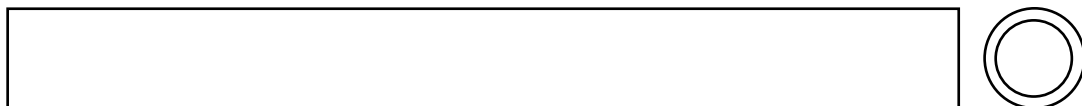
**Item #16 (4)**



**Item #22 (4)**

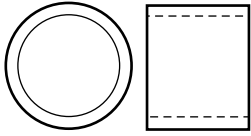


**Item #19 (3)**

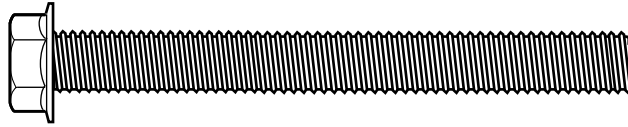


**Item #20 (1)**

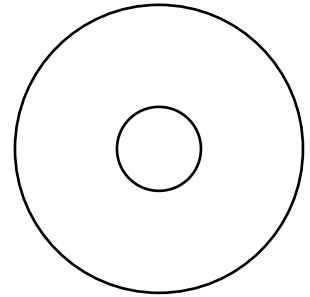
# HARDWARE IDENTIFIER



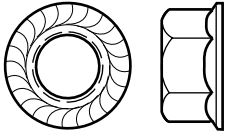
**Item #21 (2)**



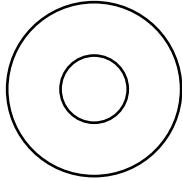
**Item #26 (4)**



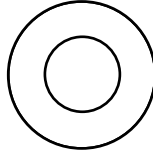
**Item #29 (1)**



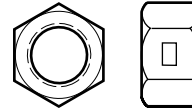
**Item #23 (8)**



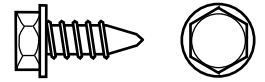
**Item #24 (8)**



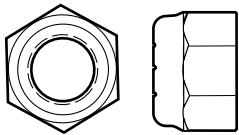
**Item #27 (5)\***



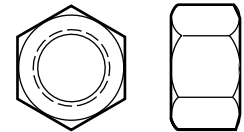
**Item #30 (1)**



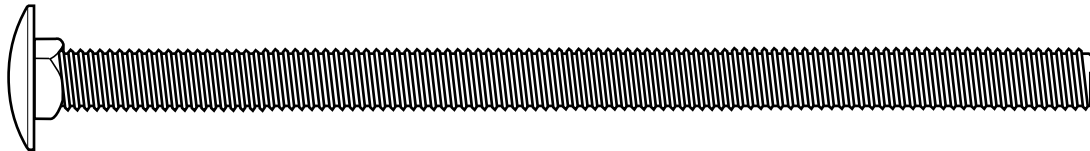
**Item #32 (2)**



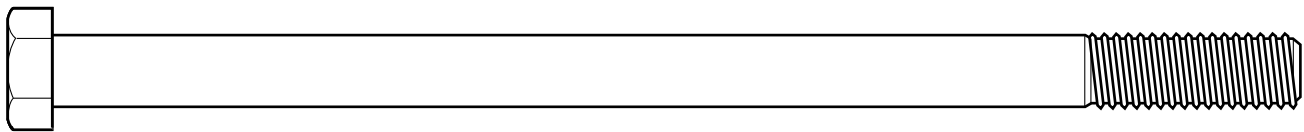
**Item #42 (2)**



**Item #43 (1)**



**Item #41 (1)**



**Item #44 (1)**

**WARRANTY CARD:**

Please remember to complete your product registration form on-line at:  
[www.hydrarib.com/warrantycard](http://www.hydrarib.com/warrantycard)



## Free Manuals Download Website

<http://myh66.com>

<http://usermanuals.us>

<http://www.somanuals.com>

<http://www.4manuals.cc>

<http://www.manual-lib.com>

<http://www.404manual.com>

<http://www.luxmanual.com>

<http://aubethermostatmanual.com>

Golf course search by state

<http://golfingnear.com>

Email search by domain

<http://emailbydomain.com>

Auto manuals search

<http://auto.somanuals.com>

TV manuals search

<http://tv.somanuals.com>