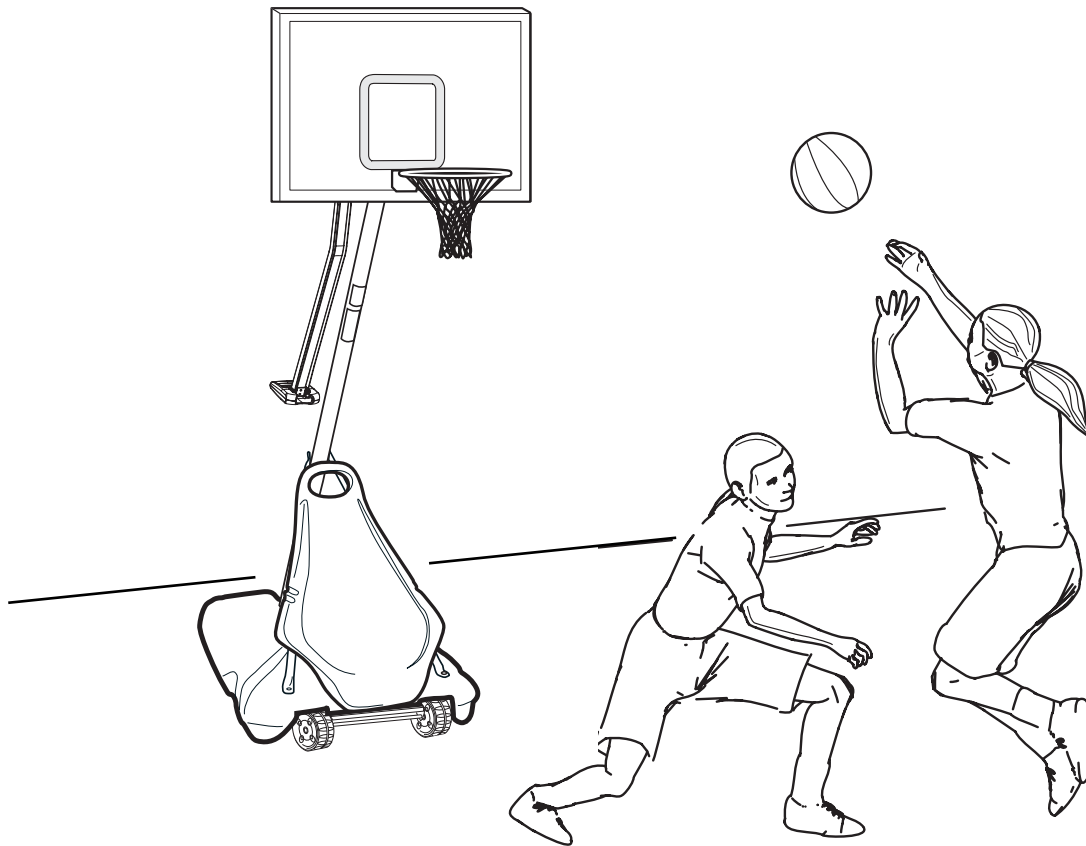


# HUFFY<sup>®</sup>SPORTS

## Portable Basketball System

### Owners Manual

Customer Service Center  
• N53 W24700 South Corporate Circle • Sussex, WI 53089 • U.S.A.



#### REQUIRED TOOLS AND MATERIALS:

- Two People
- Wood Board (Scrap)
- Tape Measure
- Step Ladder 8 ft. (2.4 m)
- Tape
- Garden Hose or Sand 360 lb. (163 kg)
- Hammer
- Wrenches: (Two) 3/4", (One) 1/2" (Two) 9/16" or equivalent sockets, (One) 1/2" Deep well socket with extension and socket wrench
- Support Table
- Phillips Head Screwdriver
- 5/32 Allen Wrench



#### **! WARNING!**

**READ AND UNDERSTAND  
OPERATOR'S MANUAL  
BEFORE USING THIS UNIT.**

**FAILURE TO FOLLOW  
OPERATING INSTRUCTIONS  
COULD RESULT IN INJURY  
OR DAMAGE TO PROPERTY.**

Toll-Free Customer Service Number for U.S: **1-800-558-5234**,

For Canada: **1-800-284-8339**,

For Europe: **00 800 555 85234** (Sweden: **009 555 85234**),

For Australia: **1-800-632-792**

Internet Address: **www.huffysports.com**



# WARNING

FAILURE TO FOLLOW THESE WARNINGS MAY RESULT  
IN SERIOUS INJURY AND/OR PROPERTY DAMAGE.

*Owner must ensure that all players know and follow  
these rules for safe operation of the system.*

- DO NOT HANG on the rim or any part of the system including backboard, support braces or net.
- During play, especially when performing dunk type activities, keep player's face away from the backboard, rim and net. Serious injury could occur if teeth/face come in contact with backboard, rim or net.
- Do not slide, climb, shake or play on base and/or pole.
- After assembly is complete, fill system completely with water or sand and stake to the ground. Never leave system in an upright position without filling base with weight, as system may tip over causing injuries.
- When adjusting height or moving system, keep hands and fingers away from moving parts.
- Do not allow children to move or adjust system.
- During play, do not wear jewelry (rings, watches, necklaces, etc.). Objects may entangle in net.
- Surface beneath the base must be smooth and free of gravel or other sharp objects. Punctures cause leakage and could cause system to tip over.
- Keep organic material away from pole base. Grass, litter, etc. could cause corrosion and/or deterioration.
- Check pole system for signs of corrosion (rust, pitting, chipping) and repaint with exterior enamel paint. If rust has penetrated through the steel anywhere, replace pole immediately.
- Check system before each use for proper ballast, loose hardware, excessive wear and signs corrosion and repair before use.
- Check system before each use for instability.
- Do not use system during windy and/or severe weather conditions; system may tip over. Place system in the storage position and/or in an area protected from the wind and free from personal property and/or overhead wires.
- Never play on damaged equipment.
- See instruction manual for proper installation and maintenance.
- When moving system, use caution to keep mechanism from shifting.
- Keep pole top covered with cap at all times.
- Do not allow water in tank to freeze. During sub-freezing weather add non-toxic antifreeze, sand or empty tank completely and store. (Do not use salt.)
- While moving system, Do not allow anyone to stand or sit on base or have added ballasting on base.
- Do not leave system unsupervised or play on system when wheels are engaged for moving.
- Use Caution when moving system across uneven surfaces. System may tip over.
- Use extreme caution if placing system on sloped surface. System may tip over more easily.

**HUFFY<sup>®</sup>SPORTS**

In the U.S.: 1-800-558-5234 and Canada: 1-800-284-8339

201246 2/99



# SAFETY INSTRUCTIONS



**FAILURE TO FOLLOW THESE SAFETY INSTRUCTIONS MAY RESULT IN SERIOUS INJURY OR PROPERTY DAMAGE AND WILL VOID WARRANTY.**

*Owner must ensure that all players know and follow these rules for safe operation of the system.*

To ensure safety, do not attempt to assemble this system without following the instructions carefully. Proper and complete assembly, use, and supervision are essential for proper operation and to reduce the risk of accident or injury. A high probability of serious injury exists if this system is not installed, maintained, and operated properly.

- If using a ladder during assembly, use extreme caution.
- Check base regularly for leakage. Slow leaks could cause the system to tip over unexpectedly
- Seat the pole sections properly (if applicable). Failure to do so could allow the pole sections to separate during play and/or during transport of the system.
- Climate, corrosion or misuse could result in system failure.
- If technical assistance is required, contact Huffy Sports.
- Minimum operational height is 6'-6" (1.98m) to the bottom of backboard.

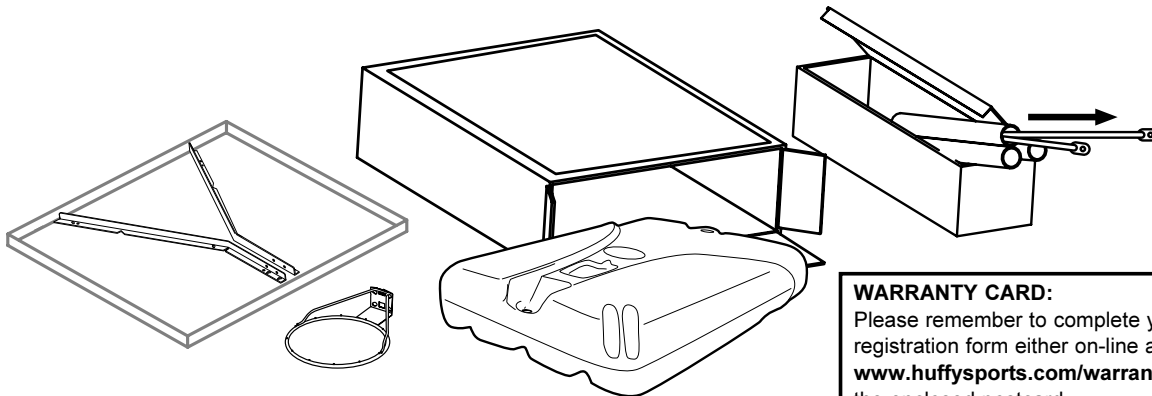
*Most injuries are caused by misuse and/or not following instructions.  
Use caution when using this unit.*

## NOTICE TO ASSEMBLERS

**ALL Huffy Sports basketball systems, including those used for DISPLAYS, MUST be assembled and ballasted with sand or water according to instructions. Failure to follow instructions could result in SERIOUS INJURY. It is NOT acceptable to devise a makeshift weight system.**

## IMPORTANT!

**Remove all contents from boxes.  
Be sure to check inside pole sections;  
hardware and additional parts are packed inside.**



### WARRANTY CARD:

Please remember to complete your product registration form either on-line at: [www.huffysports.com/warrantycard](http://www.huffysports.com/warrantycard) or mail-in the enclosed postcard.



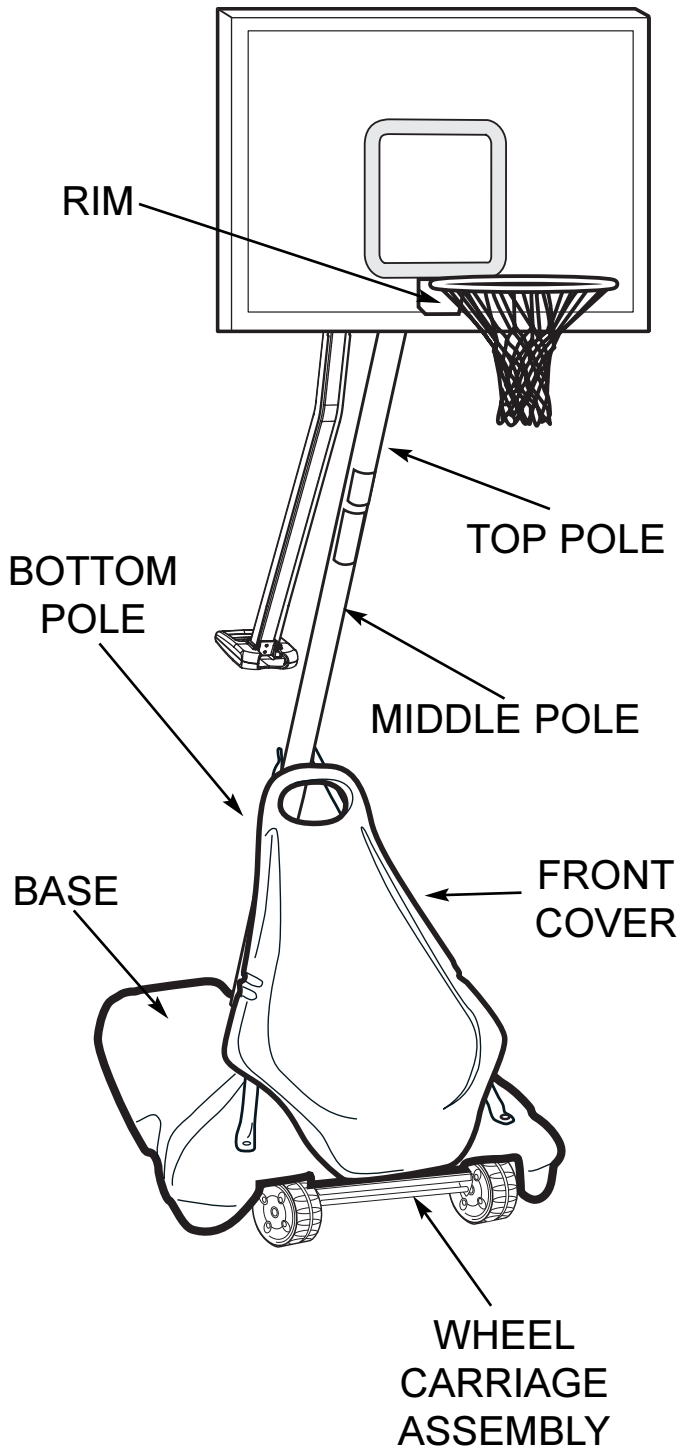
**Questions or Missing Parts?**

**DON'T go back to store!**

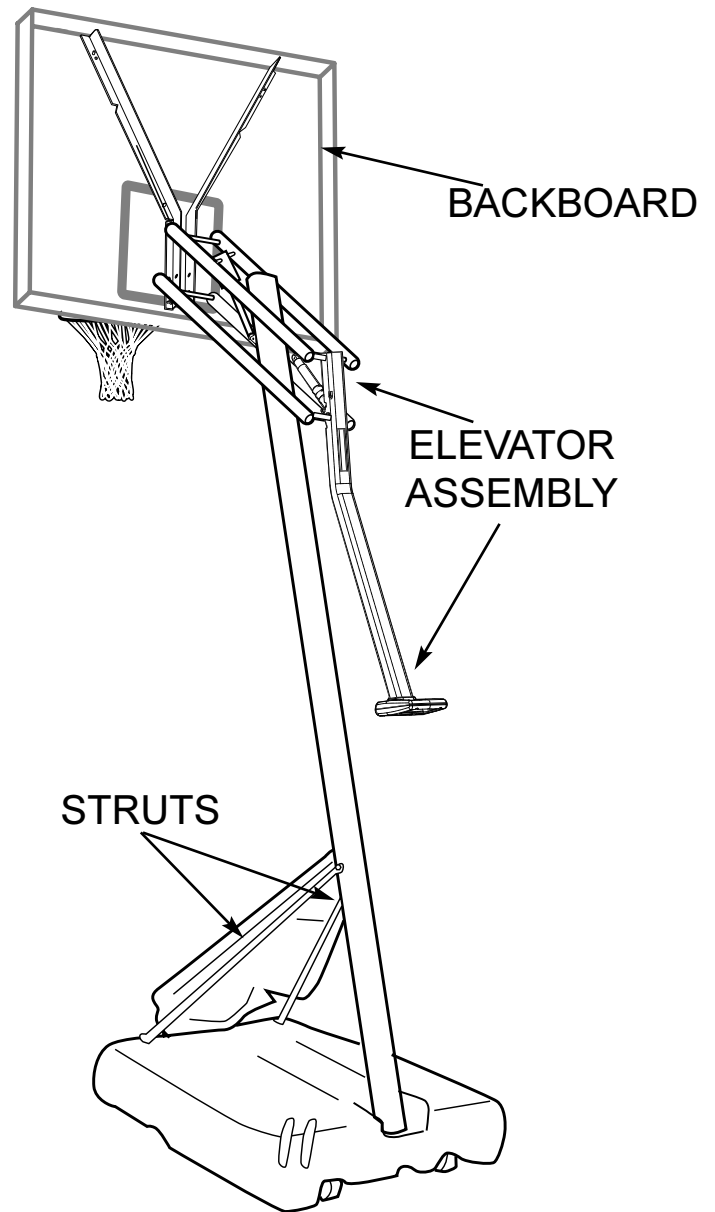
Call TOLL-FREE Customer Service  
Number listed on the front page!

**Get to know the basic parts of your basketball system.....**

**FRONT**



**BACK**



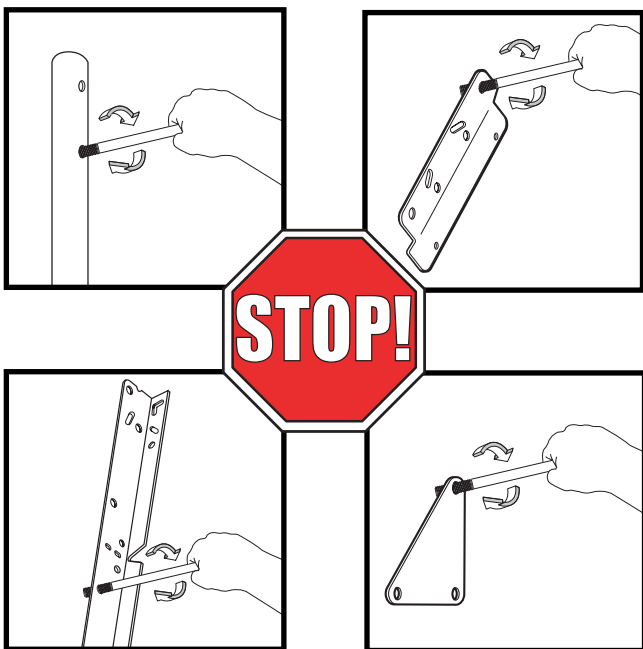
## PARTS LIST (SEE HARDWARE IDENTIFIER)

Item Qty	Part No	Description
1	1	900467 Top Pole Section
2	1	904811 Middle Pole Section (with Label)
3	1	903407 Bottom Pole Section
4	2	900223 Wheel Bracket
5	2	206940 Axle
6	2	226403 Wheel 6"
7	4	206938 Pushnut
8	1	200117 Base
9	1	203223 Carriage Bolt, 5/16-18 x 1
10	1	202662 Hex Bolt, 5/16-18 x 4.5
11	8	203218 Washer 5/16
12	1	200188 Rod 3/8 x 5.25
13	1	202822 EyeBolt 3/8 -16 x 3.75
14	2	906410 Tank Strut
15	1	200516 Bolt Cover
16	1	200123 Upper Pivot Bracket
17	1	206948 Lower Pivot Bracket
18	2	900122 Hinge Tubes
19	1	200512 Hex Bolt, 3/8 -16 x 3.5
20	4	203232 Flat Washer 3/8 -3/4
21	1	206252 Hex Bolt, 3/8 -16 x 1
22	13	203100 Flange Nut 5/16 -18
23	1	203330 Hex Bolt, 3/8 -16 x 4.5
24	2	203527 Spacer, Plastic, .75" O.D., 1.53" Long
25	2	203528 Spacer, Plastic, 1.25" O.D., 1.53" Long
26	4	203103 Carriage Bolt, 5/16-18 x 2
27	1	203540 Height Indicator Window
28	1	201129 Spacer, Metal, .50" O.D., 1.8" Long
29	1	803531 Strut Assembly
30	1	803553 Handle Assembly
31	1	203593 Shoulder Bolt
32	2	203688 Spacer, Plastic, .75" O.D., 2.25" Long
33	2	900867 Triangle Plates

Item Qty	Part No	Description
34	1	207103 Pole Cap
35	4	908119 Elevator Tube
36	1	808115 Pole Bracket
37	9	206340 Nut, Nylock, 1/2 -13
38	2	203053 Bolt, Carriage, 5/16-18 x 4
39	4	202862 Spacer, Plastic, .50 O.D., 1.19" Long
40	8	204847 Bolt 1/2 -13 x 9.5
41	1	201139 Bolt 1/2 -13 x 4.5
42	4	201682 Spacer, Plastic, .50 O.D., 1.88" Long
43	2	203798 Bolt 5/16-18 x 1.5
44	2	202273 Spacer, Metal, .50 O.D., 5-7/8" Long
45	1	203099 Nut, Nylock, 5/16-18
46	2	200874 Spacer, Metal, .50 O.D., 1.53" Long
47	3	206360 Bolt 3/8 -16 x 2.625
48	7	203063 Nut 3/8 -16 Nylock
49	2	900964 Board Brackets
50	1	200118 Front Cover
51	4	265601 Front Cover Carriage Bolts
52	12	201219 Net Clips
53	1	204290 Net
54	1	206219 Base Plug
55	1	203124 Tie Down Stake
56	1	201568 Anchor Strap
57	1	203532 Label Height Adjustment
58	2	240027 Nut, Nylock 1/4-20
59	1	203535 Strip
60	1	203536 Height Label
61	1	203537 Hook
62	1	240019 Bolt 1/4-20 x .75
63	2	202274 Spacer, Metal, .50 O.D., 3-1/2" Long
64	1	206956 Plastic Disc
65	2	226401 Wheel 4"
66	2	203309 Washer, Flat, 3/8-1

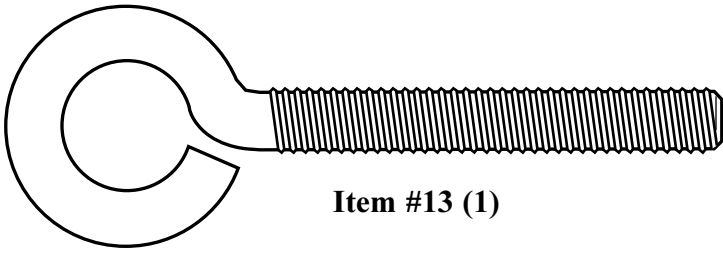
\* You may have extra parts with this model.

## BEFORE YOU START!

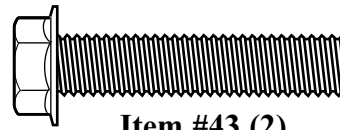


To ensure optimal playability of backboard system, a close tolerance fit between the elevator components and hardware is required. Test-fit large bolts into large holes of elevator tubes, backboard brackets, and triangle plates. Carefully rock them in a circular motion to ream out any excess paint from holes if necessary.

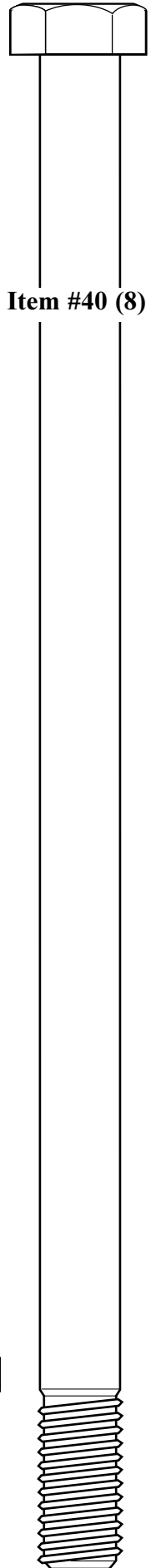
# HARDWARE IDENTIFIER (BOLTS & SCREWS)



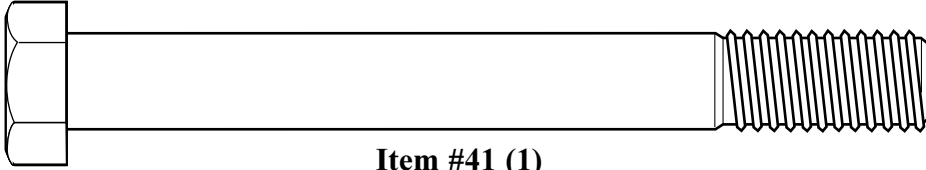
Item #13 (1)



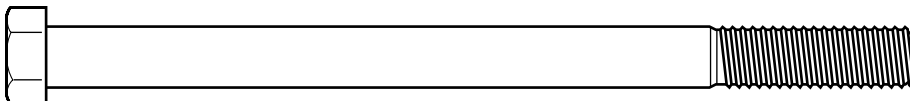
Item #43 (2)



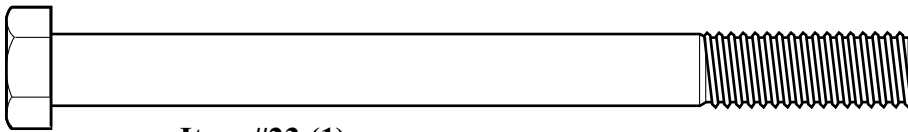
Item #40 (8)



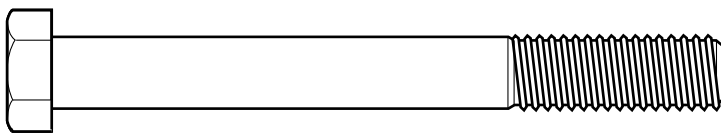
Item #41 (1)



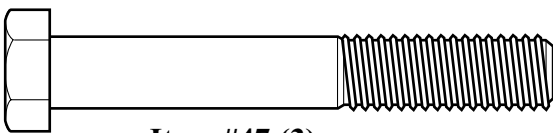
Item #10 (1)



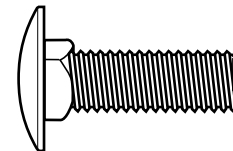
Item #23 (1)



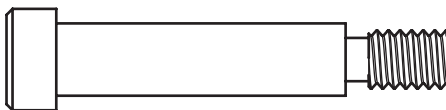
Item #19 (1)



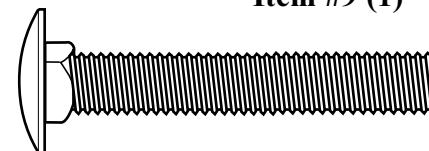
Item #47 (3)



Item #9 (1)



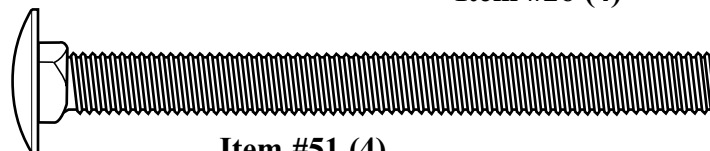
Item #31 (1)



Item #26 (4)



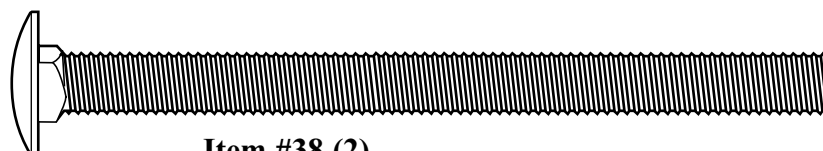
Item #21 (1)



Item #51 (4)



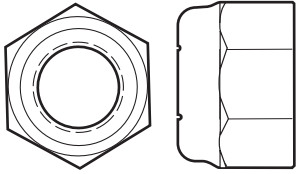
Item #62 (1)



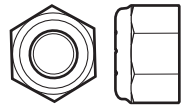
Item #38 (2)

\* You may have extra parts with this model.

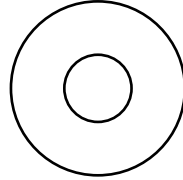
# HARDWARE IDENTIFIER (NUTS, WASHERS & METAL SPACERS)



Item #37 (9)



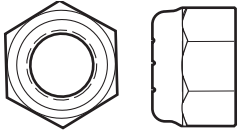
Item #58 (2)



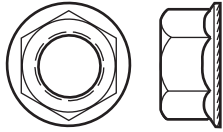
Item #11 (8)



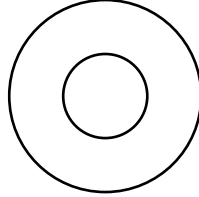
Item #28 (1)



Item #48 (7)



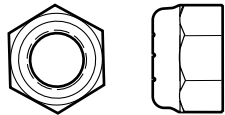
Item #22 (13)\*



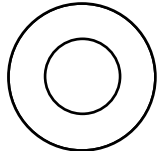
Item #66 (2)



Item #46 (2)



Item #45 (1)



Item #20 (4)

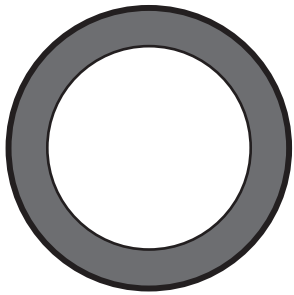


Item #63 (2)

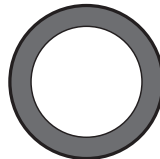
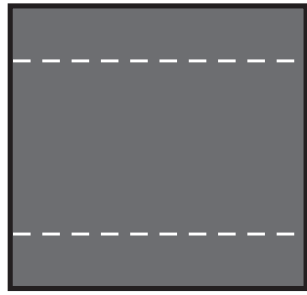


Item #44 (2)

# HARDWARE IDENTIFIER (LABELS, PLASTIC SPACERS & CAPS)



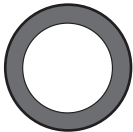
Item #25 (2)



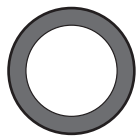
Item #24 (2)



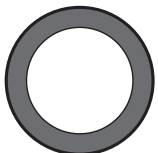
Item #15 (1)



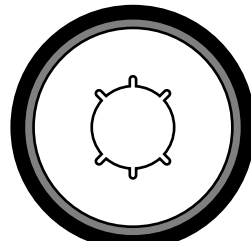
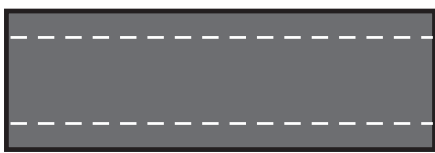
Item #42 (4)



Item #39 (4)



Item #32 (2)



Item #7 (4)



**HEIGHT ADJUSTMENT**

TO ADJUST BACKBOARD:

1. Grasp handle and squeeze trigger.
2. Raise or lower to desired height.
3. Release trigger.

**MOVING SYSTEM**

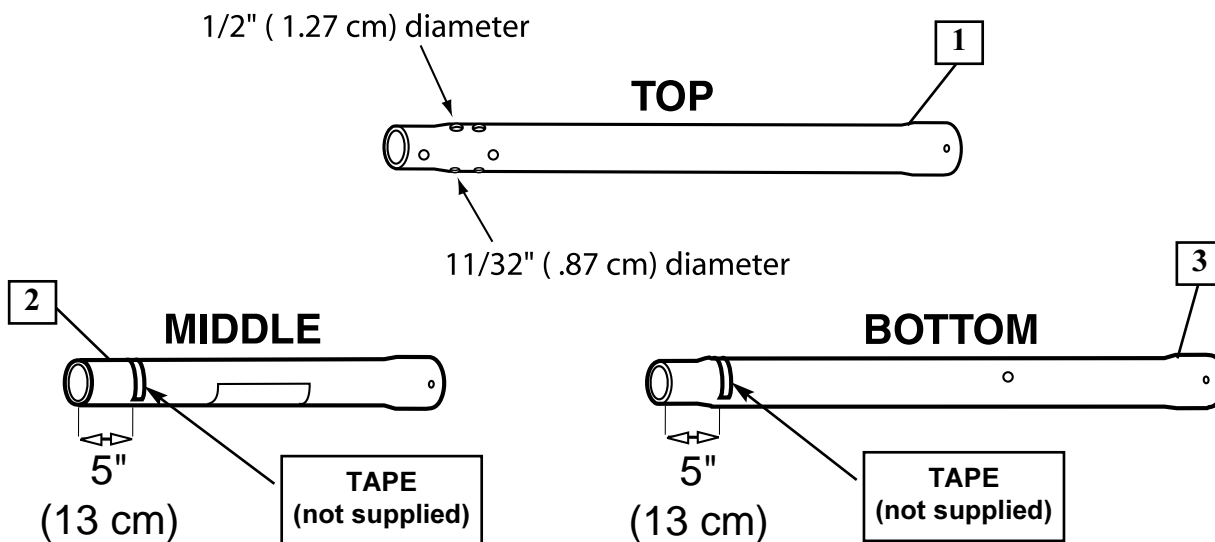
1. Adjust basketball backboard height to lowest position.
2. Rotate handle forward until wheels engage ground.
3. Move basketball system to desired location.
4. Rotate handle back to original position.
5. Reattach ground restraint and check system for stability.

203532 01/04

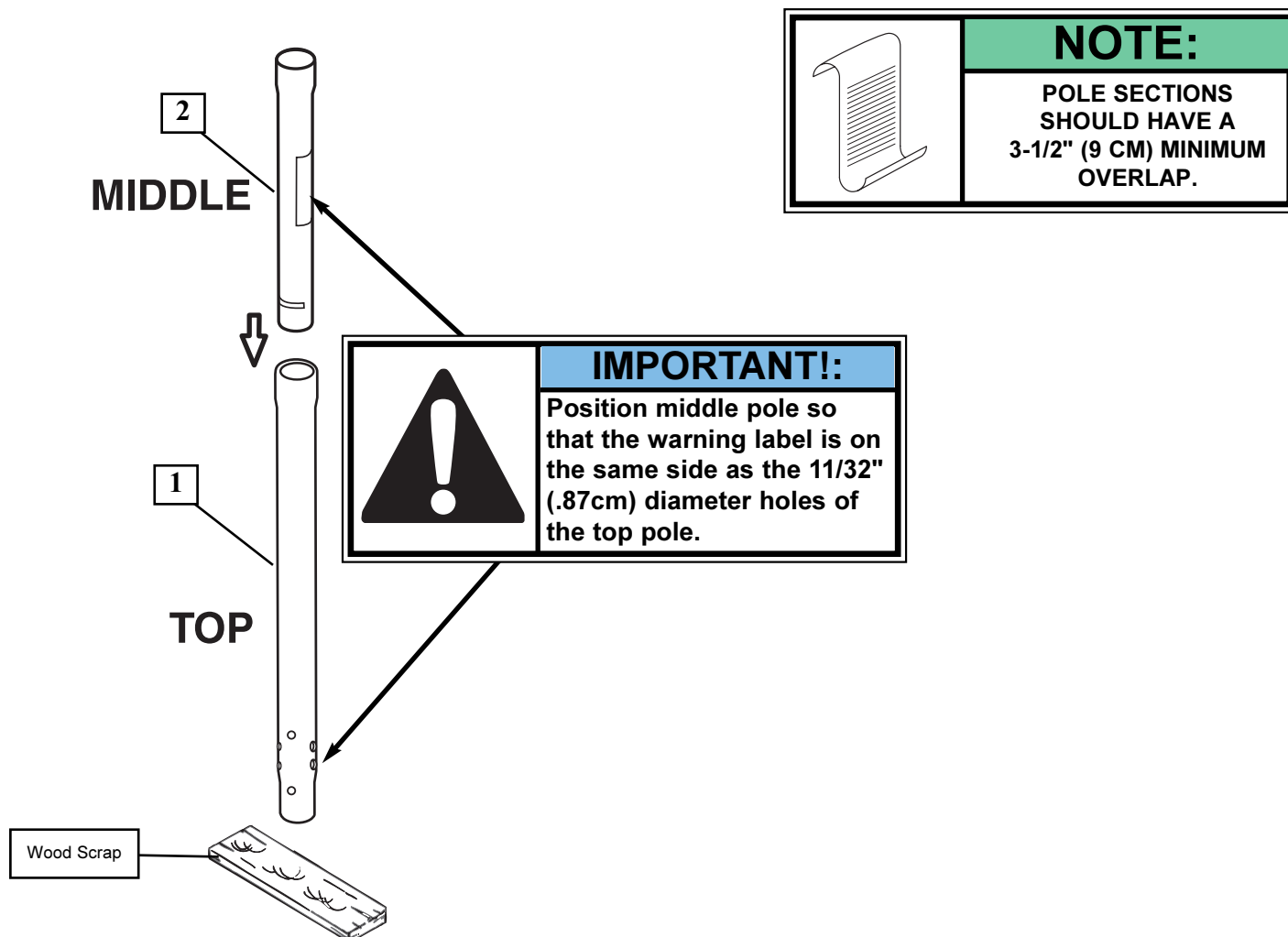
Item #57 (1)

# SECTION A: ASSEMBLE THE POLES

1. Correctly identify each pole section. Mark pole sections with tape as shown.



2. Bounce middle pole section (2) into top pole section (1) together using a wood scrap as shown until they no longer move toward taped reference mark.

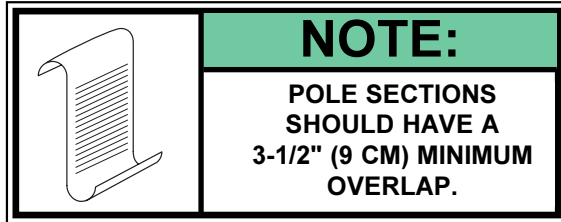




3.

**IMPORTANT! Holes in top (1) and bottom pole (3) sections MUST align to correctly position elevator system toward playing surface.**

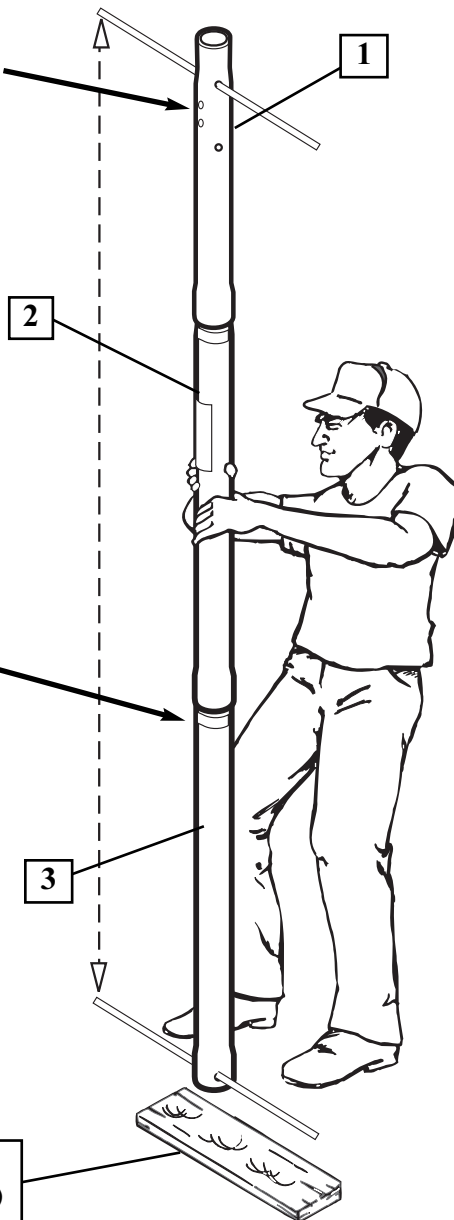
While maintaining alignment, bounce assembly and lower section (3) together as shown until they no longer move toward taped reference mark.



11/32" (.87 cm) SMALLER DIAMETER HOLES OF TOP POLE

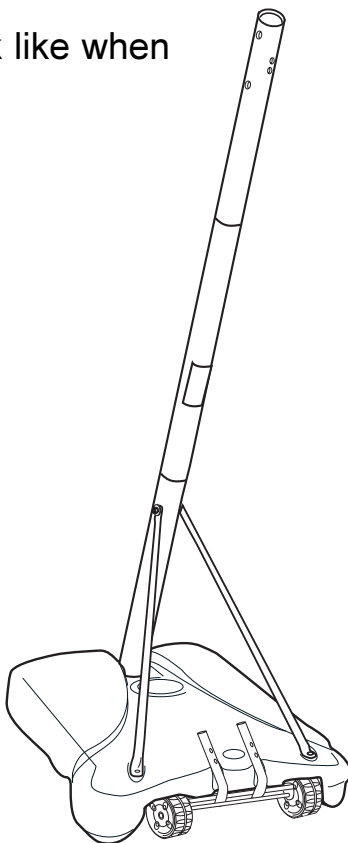
TAPE REFERENCE MARK

WOOD SCRAP (NOT SUPPLIED)



# SECTION B: ASSEMBLE THE BASE

This is what your system will look like when you've finished this section:

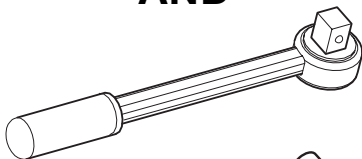


## TOOLS REQUIRED FOR THIS SECTION

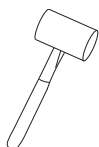
**1/2" & 9/16"**



**AND**

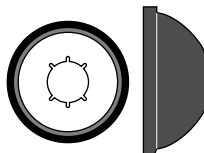


**9/16" & 1/2" AND EXTENSION**

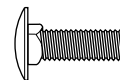


**HAMMER OR MALLET**

## HARDWARE USED IN THIS SECTION (not actual size)



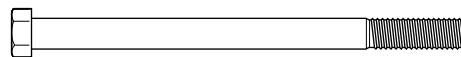
Item #7



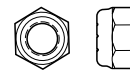
Item #9



Item #48



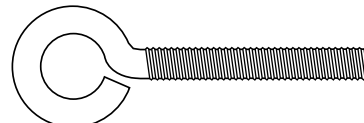
Item #10



Item #45



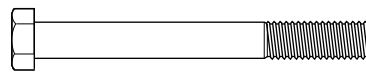
Item #11



Item #13



Item #15



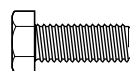
Item #19



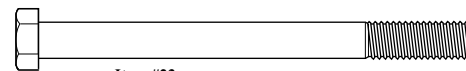
Item #20



Item #22



Item #21



Item #23

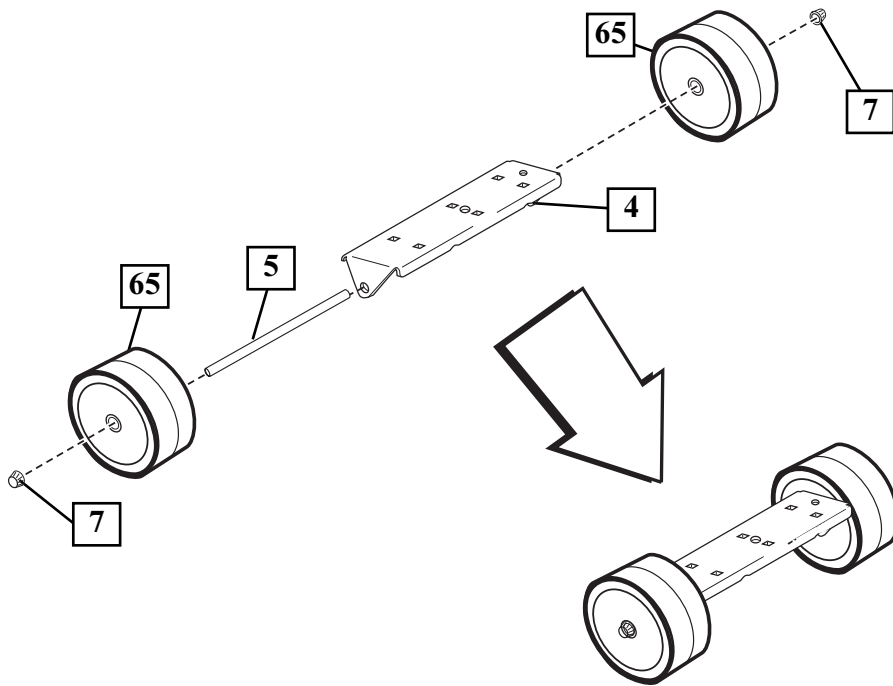


Item #26

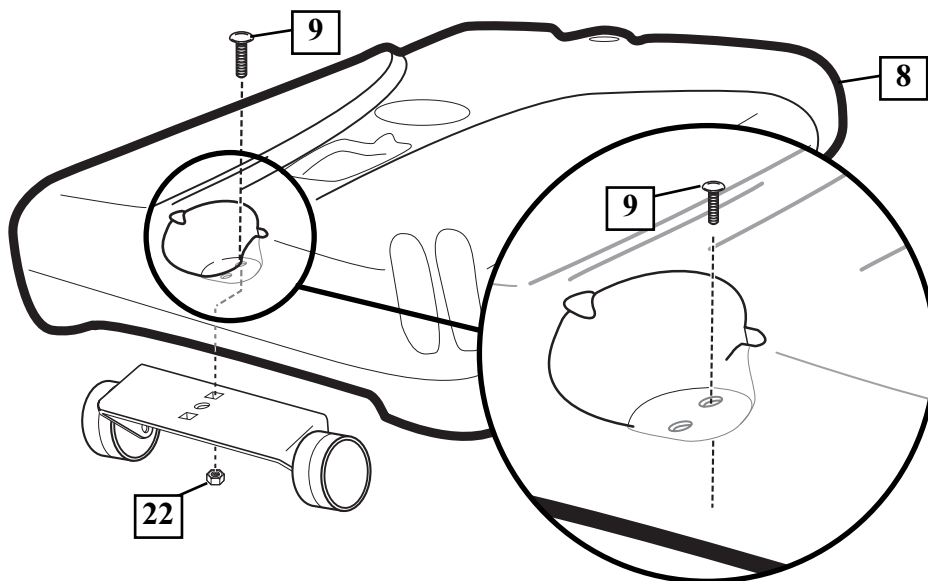


Item #43

- 1.** Insert axle (5) through wheel bracket (4). Secure wheels (65) to axle using pushnuts (7). Carefully tap pushnuts onto axle with hammer or mallet

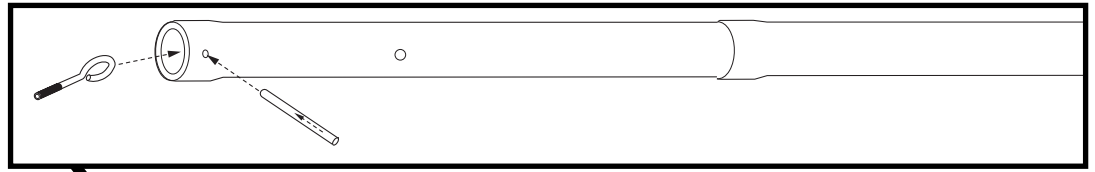


- 2.** Install wheel assembly to base (8) using bolt (9), and nut (22) as shown.



3.

Install rod (12) through holes in bottom pole section (3) and eyebolt (13). Insert pole assembly into tank (8) and through center hole on wheel assembly as shown. Secure pole assembly with anchor strap (56), washer (11), and lock nut (48).

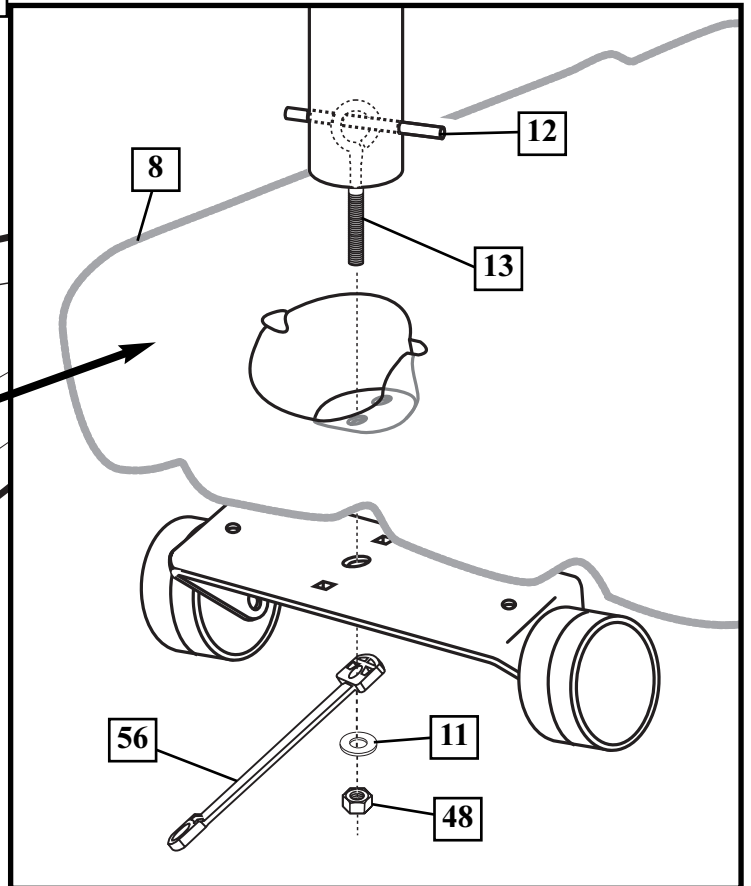
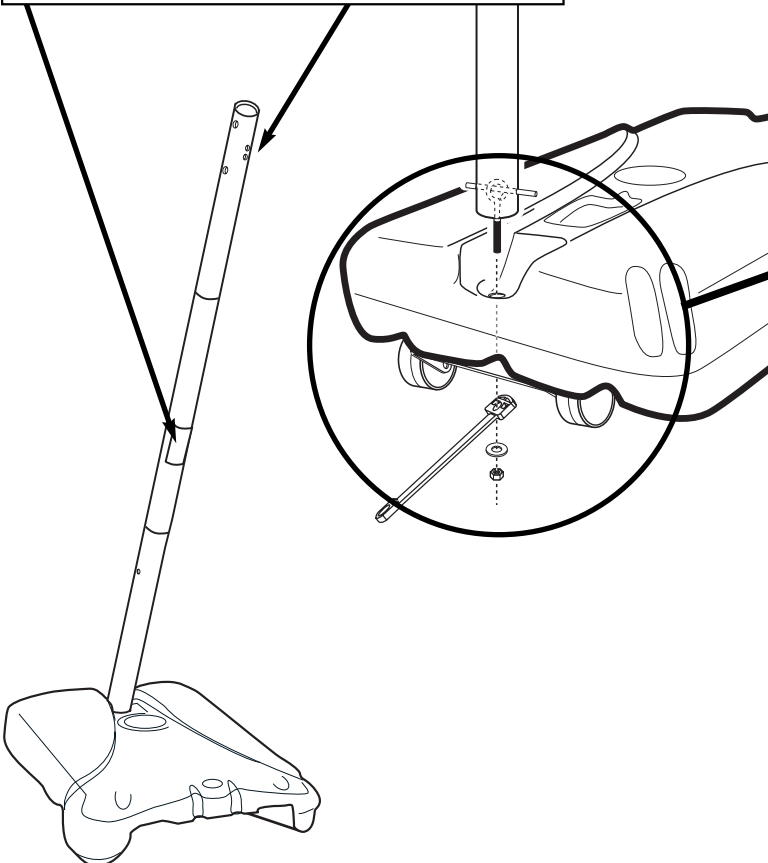
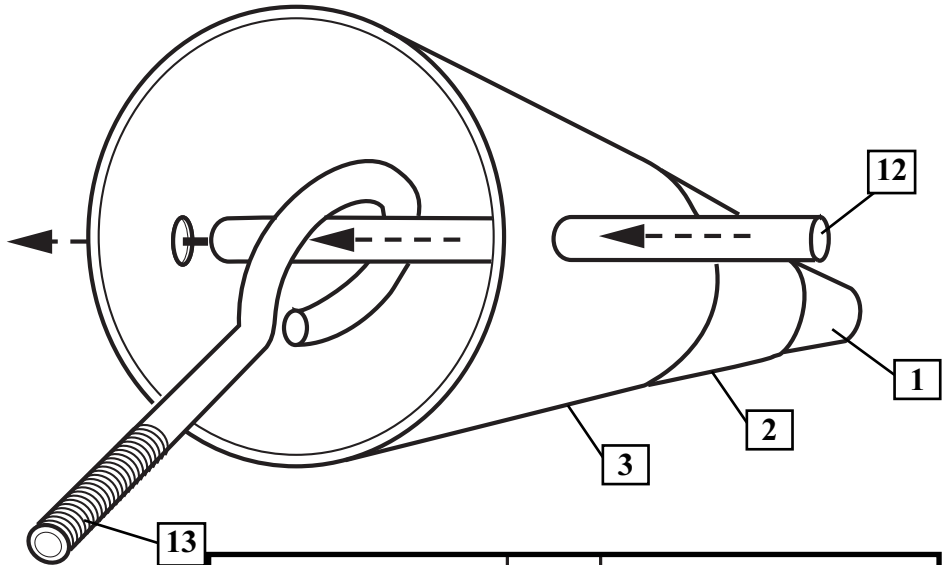


**WARNING!**

TWO PEOPLE REQUIRED FOR THIS PROCEDURE. FAILURE TO FOLLOW THIS WARNING COULD RESULT IN SERIOUS INJURY AND/OR PROPERTY DAMAGE.

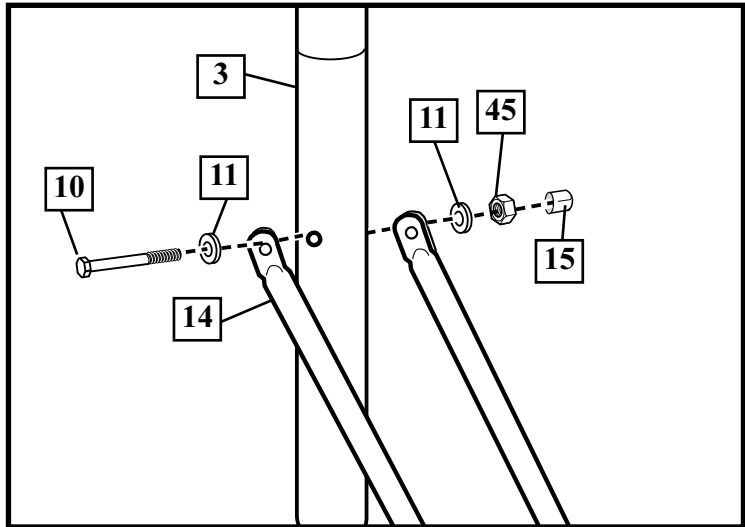
**IMPORTANT!:**

Smaller holes (1 1/32" / .87 cm) of top pole should face toward the front of the system and the warning label should be facing toward the front.

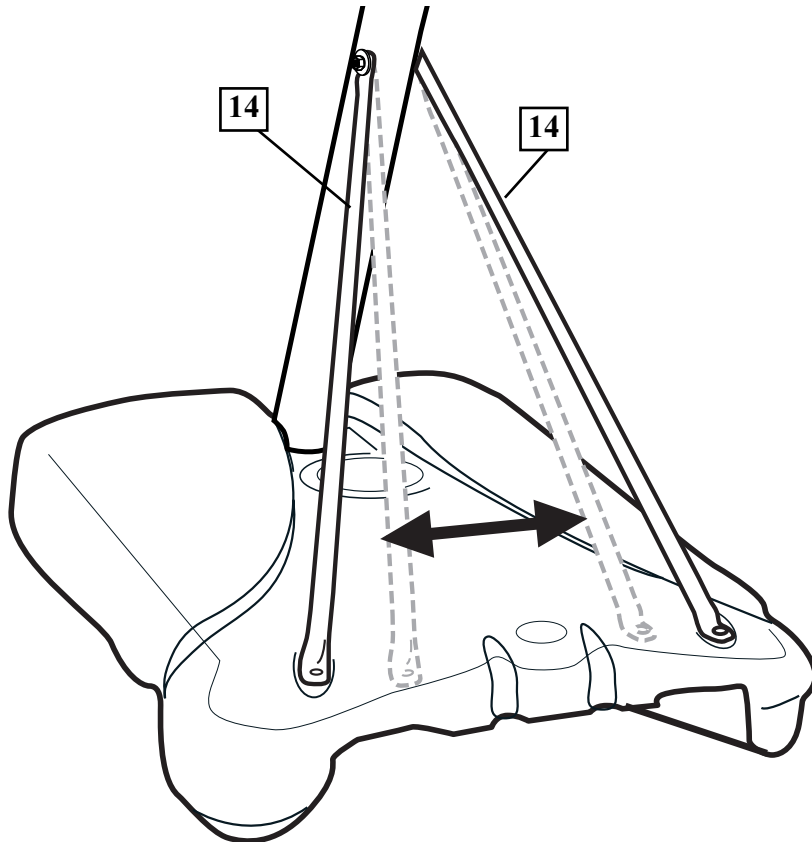


4.

Secure tank struts (14) to pole as shown.  
Place cap (15) over exposed end of bolt as shown.



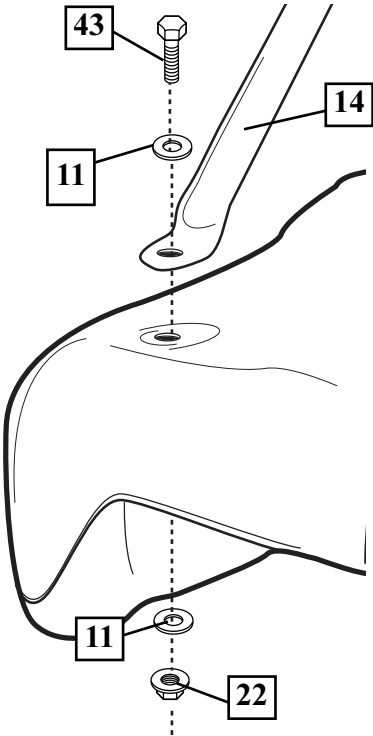
Rotate non-secured ends of tank struts (14) outward to mounting holes in tank as shown.



5.

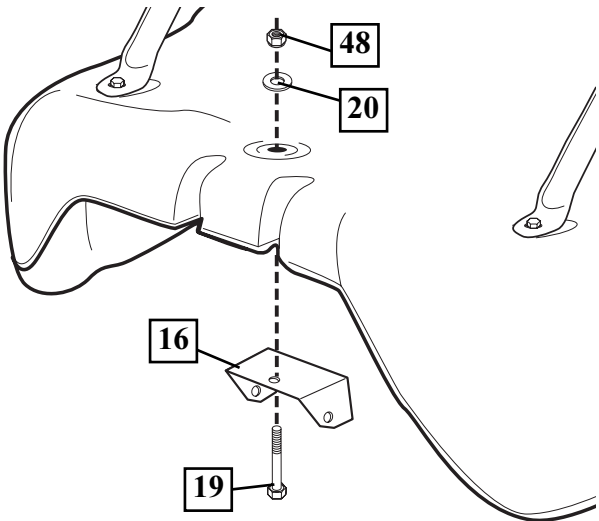
Secure ends of tank struts (14) to tank as shown. Repeat for opposite side.

	<b>! WARNING!</b>
	TWO PEOPLE REQUIRED FOR THIS PROCEDURE. FAILURE TO FOLLOW THIS WARNING COULD RESULT IN SERIOUS INJURY AND/OR PROPERTY DAMAGE.

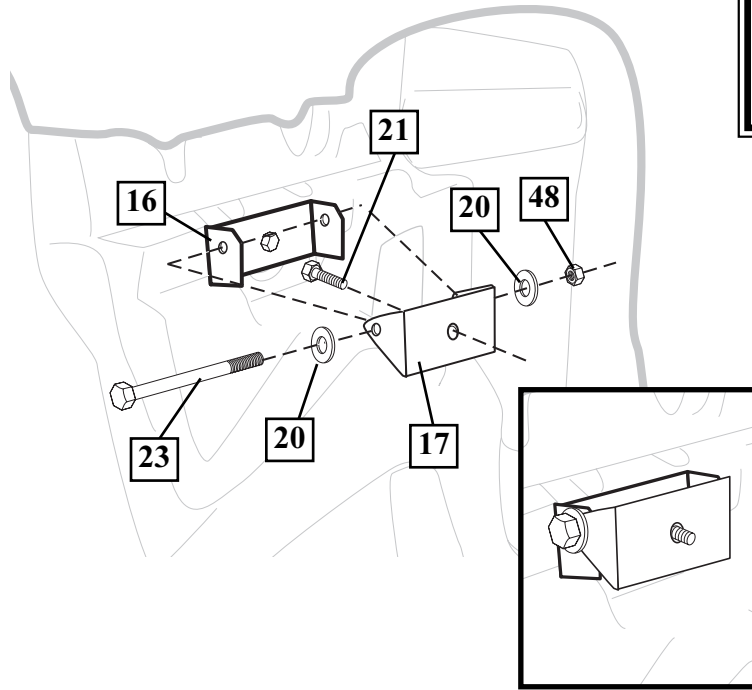


6.

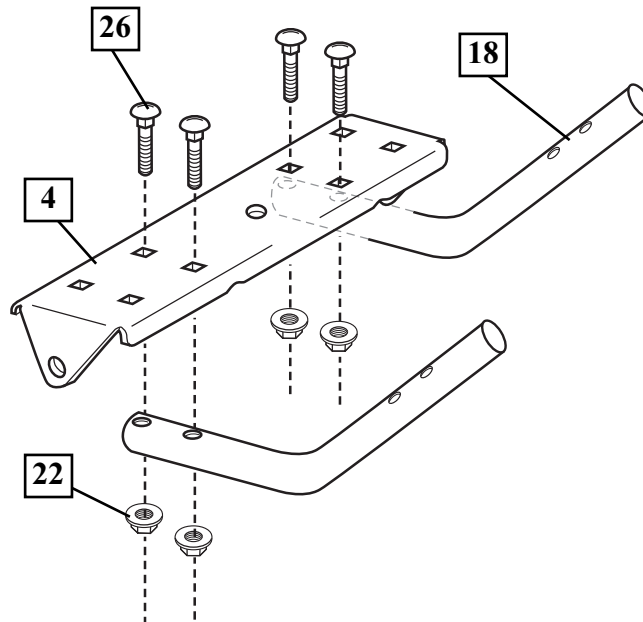
Install upper pivot bracket (16) to front of base using bolt (19), washer (20) and nut (48) as shown.



- 7.** Insert bolt (21) through lower pivot bracket (17) as shown; bolt (21) will be secured during step 10. Carefully place base assembly on its side. Install lower pivot bracket (17) with bolt (23), washers (20), and lock nut (48) as shown.

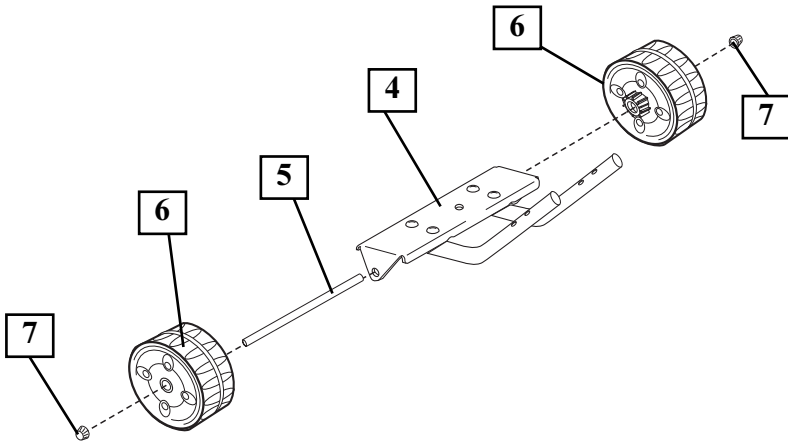


- 8.** Secure both hinge tubes (18) to second wheel bracket (4) with carriage bolts (26) and flange nuts (22).



9.

Insert axle (5) through wheel bracket (4). Secure wheels (6) to axle using pushnuts (7). Carefully tap pushnuts onto axle with hammer or mallet

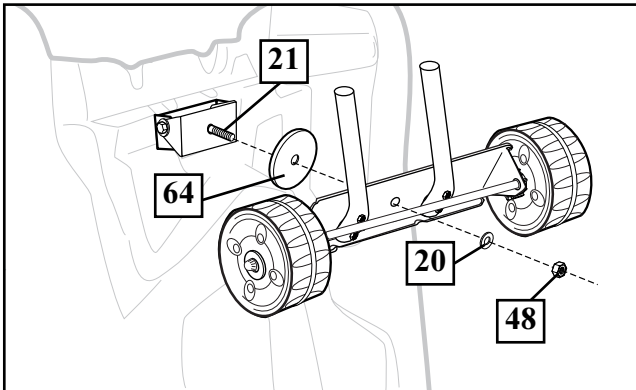


**IMPORTANT!:**

SIDE OF WHEEL WITH LONGER PLASTIC AXLE NEEDS TO FACE THE WHEEL BRACKET.

10.

Position base as shown. Secure wheel bracket assembly with disc (64), washer (20) and nut (48) as shown.



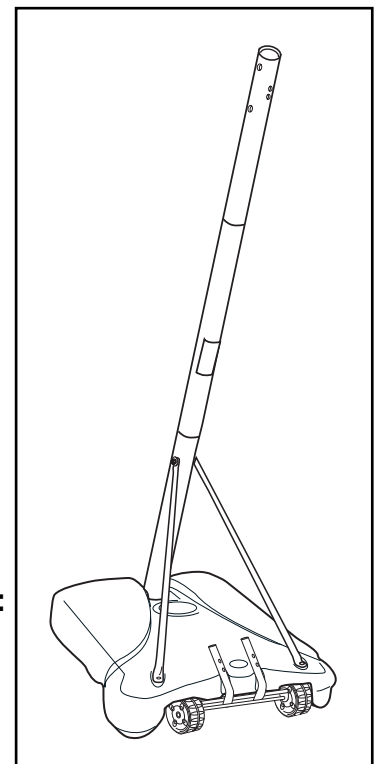
**IMPORTANT!:**

DO NOT OVER TIGHTEN

**! WARNING!**

TWO PEOPLE REQUIRED FOR THIS PROCEDURE. FAILURE TO FOLLOW THIS WARNING COULD RESULT IN SERIOUS INJURY AND/OR PROPERTY DAMAGE.

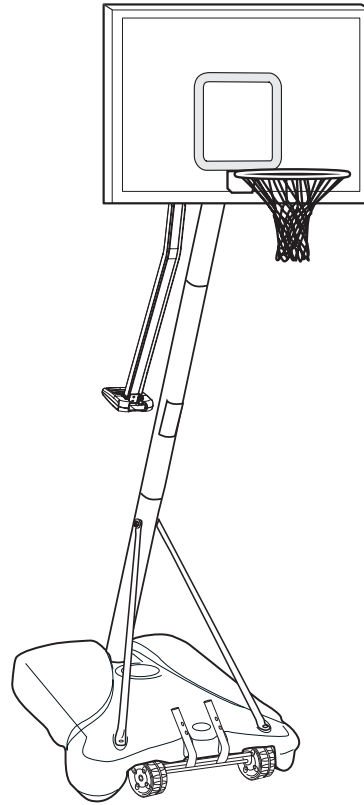
Carefully reposition entire assembly as shown:





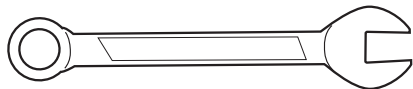
# SECTION C: ASSEMBLE THE ELEVATOR SYSTEM & BACKBOARD

This is what your system will look like when you've finished this section:

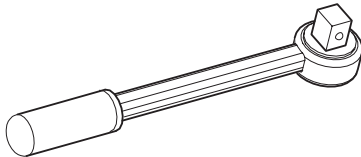


## TOOLS REQUIRED FOR THIS SECTION

**WRENCHES**  
**(2) 1/2", (2) 3/4"**  
**AND (2) 9/16"**

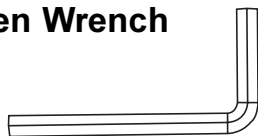


**AND/OR**

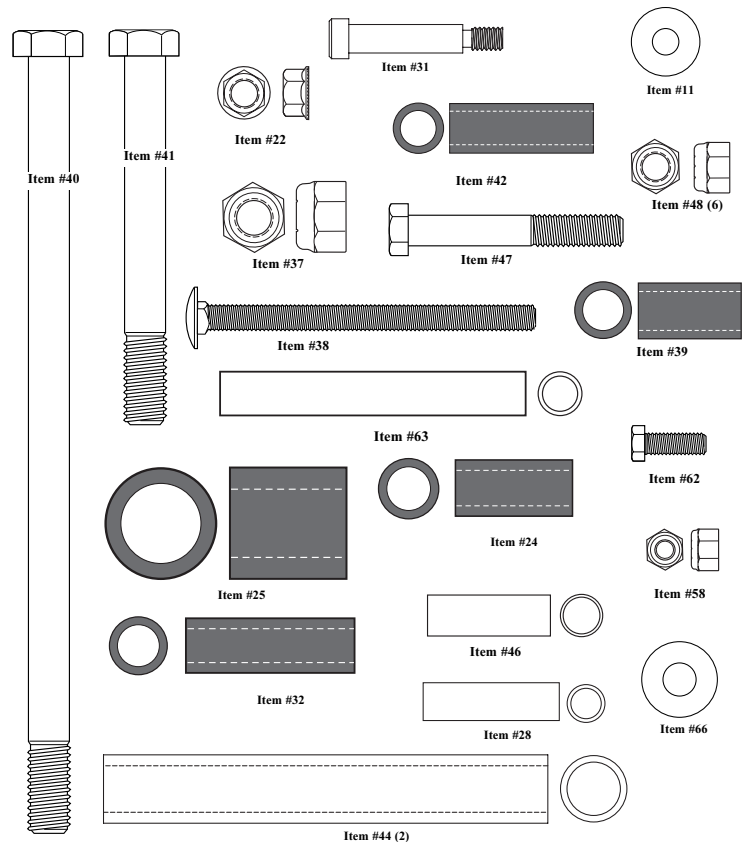


**1/2", 9/16", 3/4" & EXTENSION**

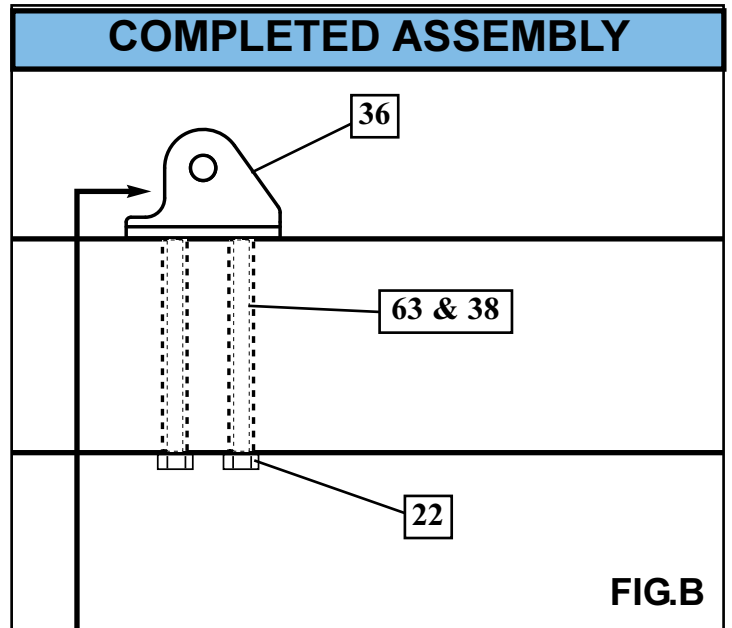
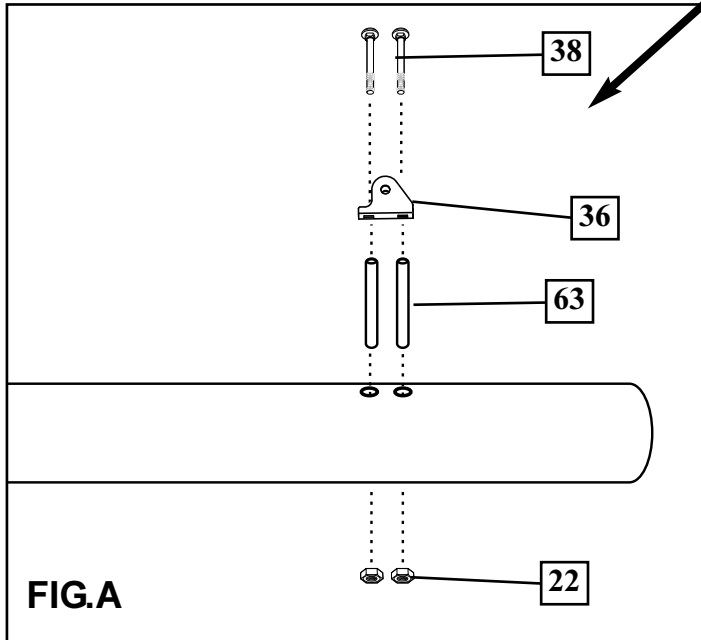
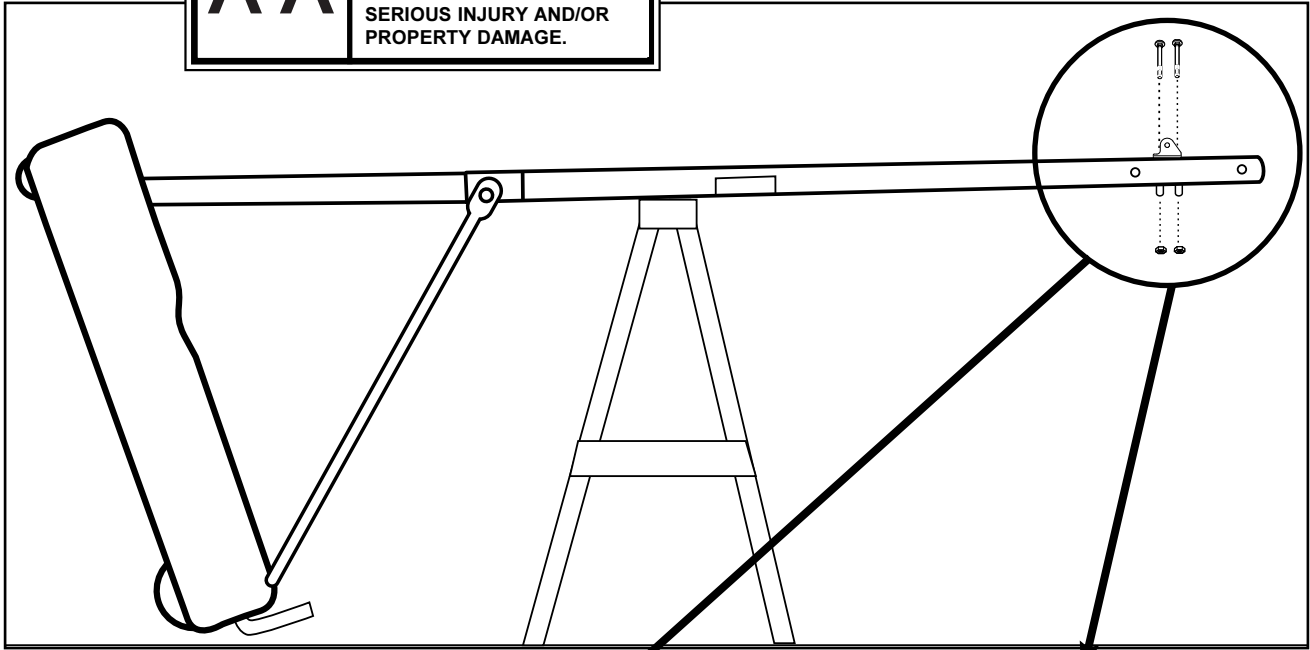
**AND (1) 5/32 Allen Wrench**



## HARDWARE USED IN THIS SECTION (not actual size)



- 1.** Securely rest the assembly on sawhorse. Install pole bracket (36) to top pole as shown (FIG.A) using bolts (38), metal spacers (63) and nuts (22). Reference finished assembly (FIG.B.)

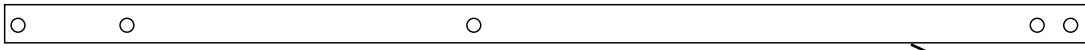


**FLAT SIDE TOWARDS BASE.**

**2.** Identify elevator tubes.

Install triangle plates (33) and elevator tubes (35) to top pole section (1) as shown. Install pole cap (34) at this time.

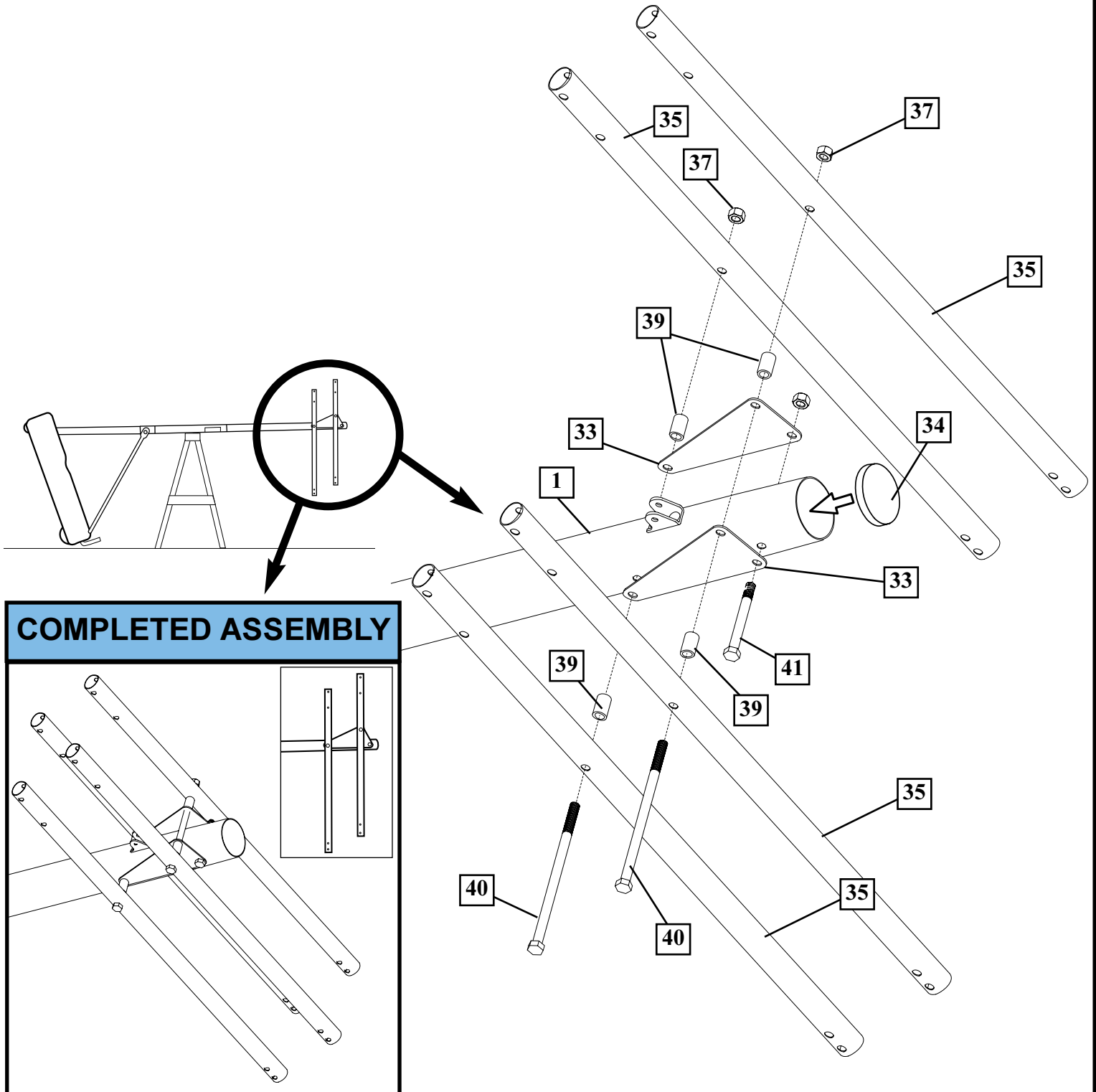
Toward Pole



Toward Board

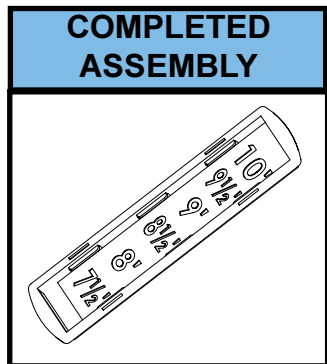
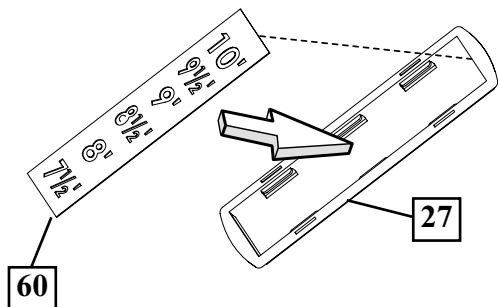
Upper & Lower Elevator tube

35

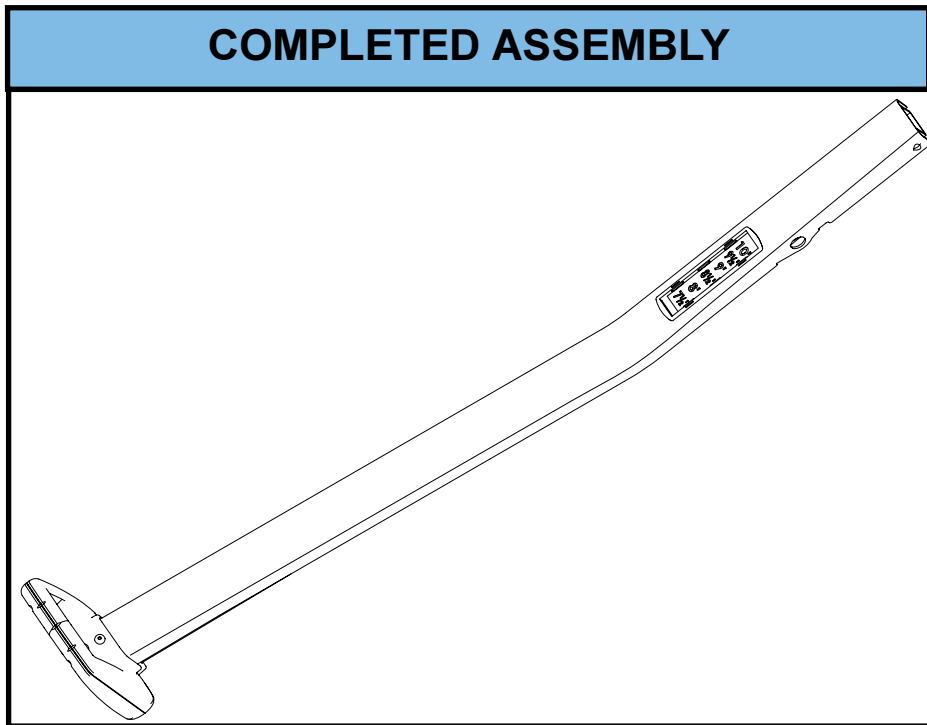
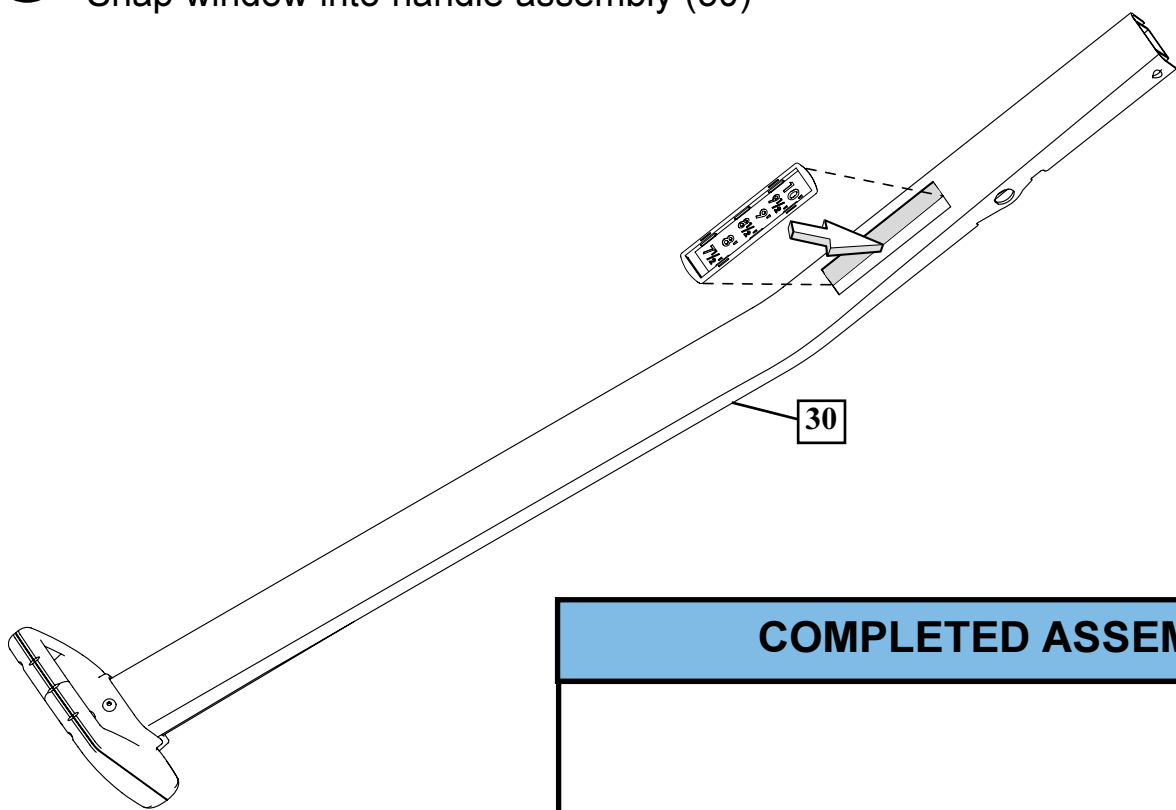


**COMPLETED ASSEMBLY**

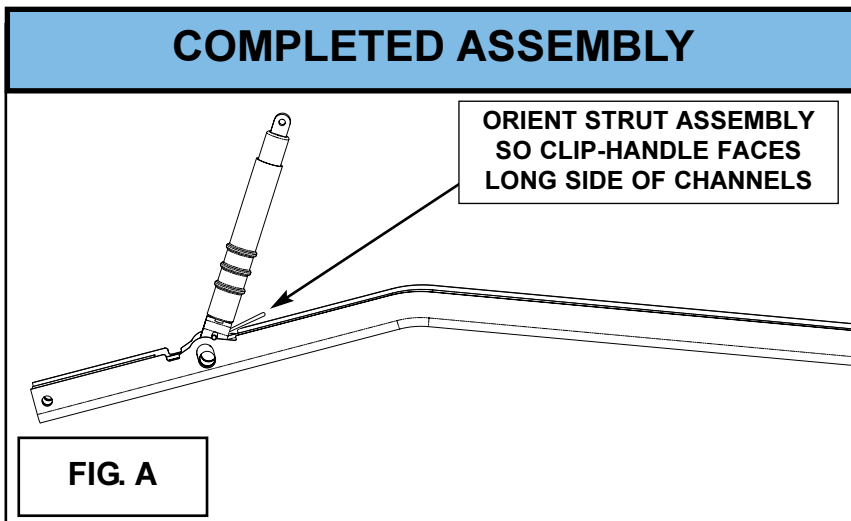
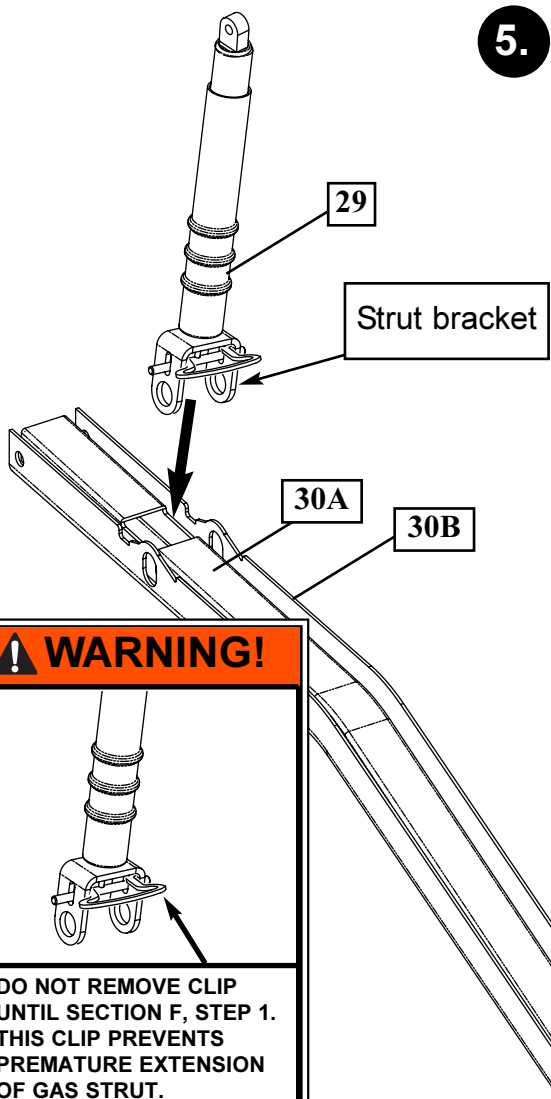
3. Attach label (60) to window (27).  
**Important:** Line up top edge of label with top edge of window



4. Remove packaging materials and zip ties from handle assembly (30)  
Snap window into handle assembly (30)



- 5.** Insert strut assembly (29) over inner channel (A) and between outer channel (B). Rest at angle shown in fig. A. Line up holes in strut bracket to holes in outer channel (B)



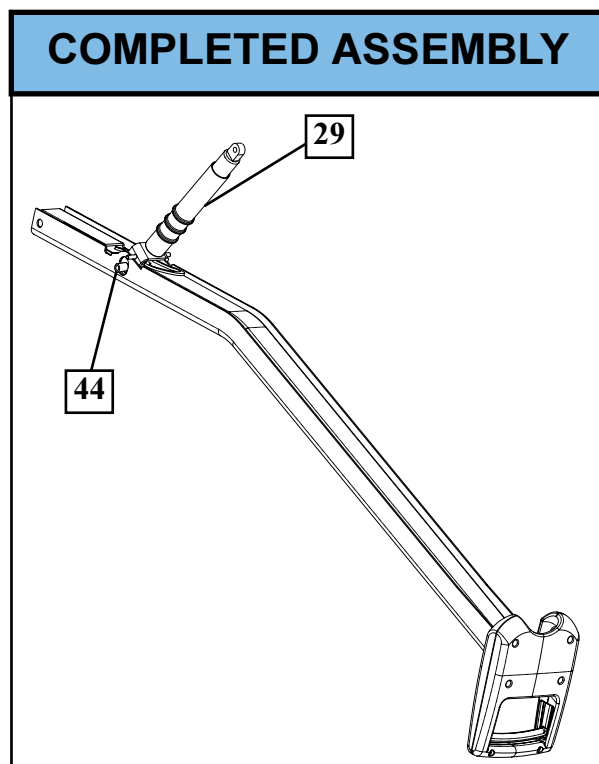
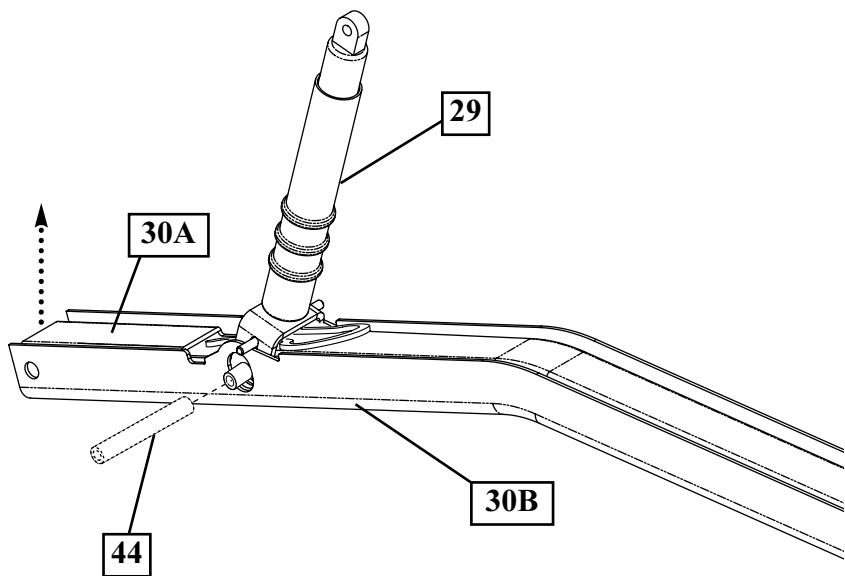
**! WARNING!**

DO NOT REMOVE CLIP UNTIL SECTION F, STEP 1. THIS CLIP PREVENTS PREMATURE EXTENSION OF GAS STRUT.

**! IMPORTANT!:**

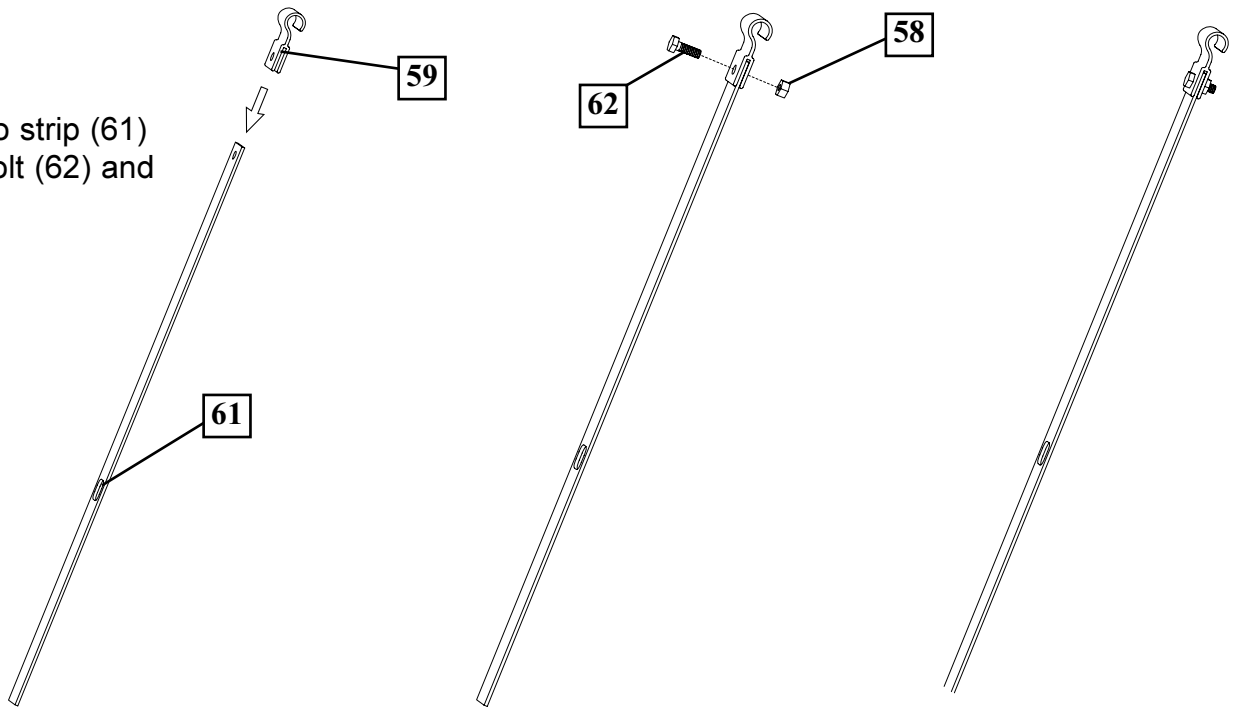
TO AVOID RAPID EXTENSION OF STRUT ROD - DO NOT DEPRESS BUTTON ON GAS STRUT ASSEMBLY.

- 6.** Insert metal spacer (22) through outer channel (B), strut bracket and inner channel (A). Center spacer on outer channel.
- NOTE:** To allow spacer to fit through, lift inner channel (A) to help line up holes with outer channel (B).



7.

Attach hook (59) to strip (61) and secure with bolt (62) and nut (58).



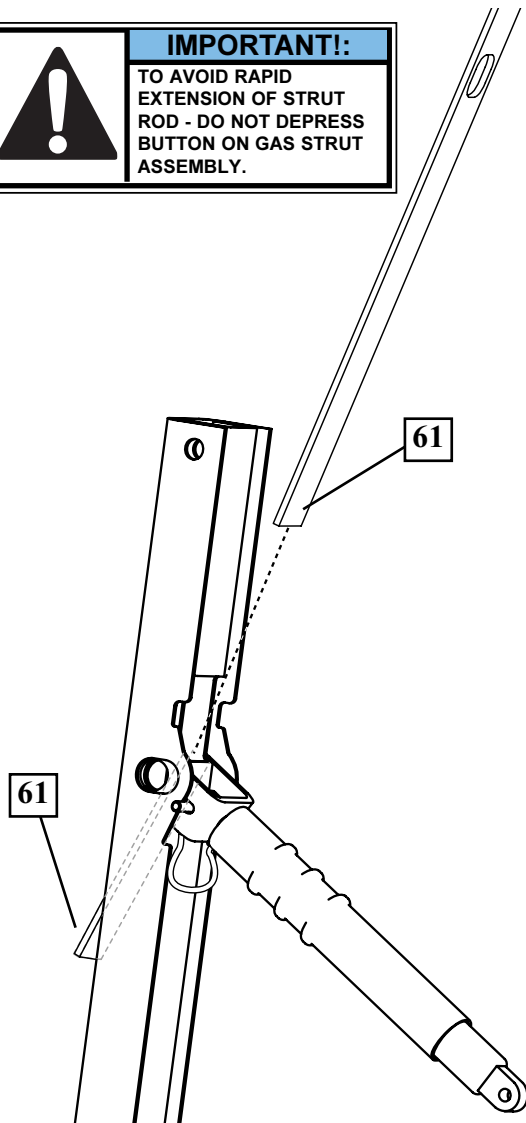
8.

Install hook and strip assembly into handle assembly.



**IMPORTANT!:**

TO AVOID RAPID EXTENSION OF STRUT ROD - DO NOT DEPRESS BUTTON ON GAS STRUT ASSEMBLY.

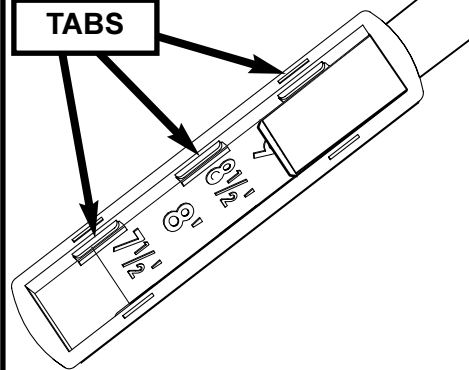


9.

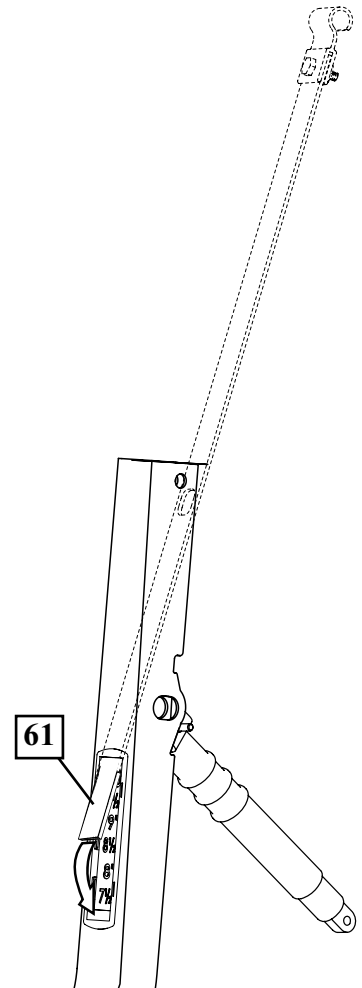
Bring strip through top of height indicator window (27) underneath tabs and insert through bottom end of height indicator window (27).

**IMPORTANT!:**

TABS

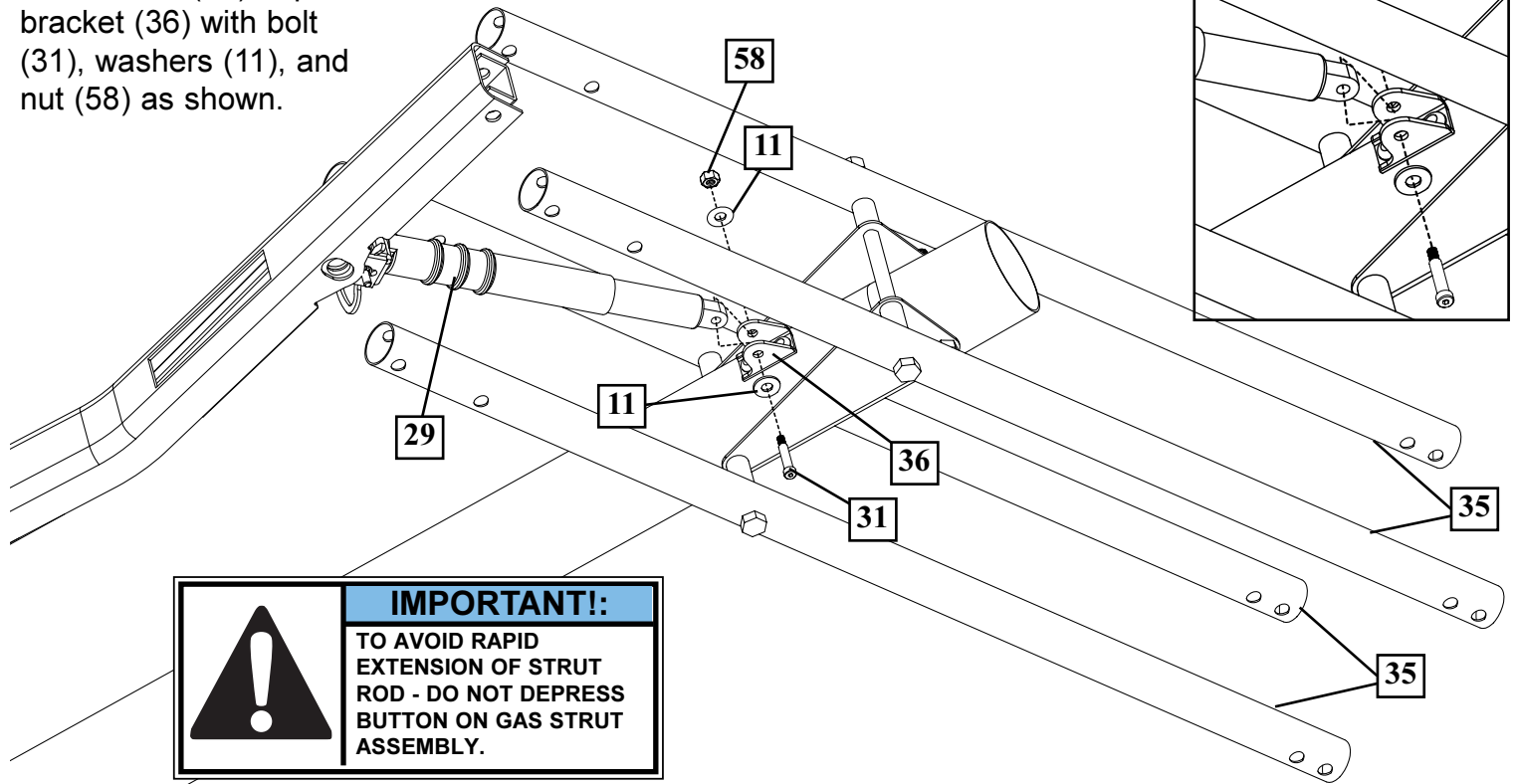


STRIP(61) MUST PASS UNDERNEATH ALL 6 TABS OF HEIGHT INDICATOR WINDOW (27).

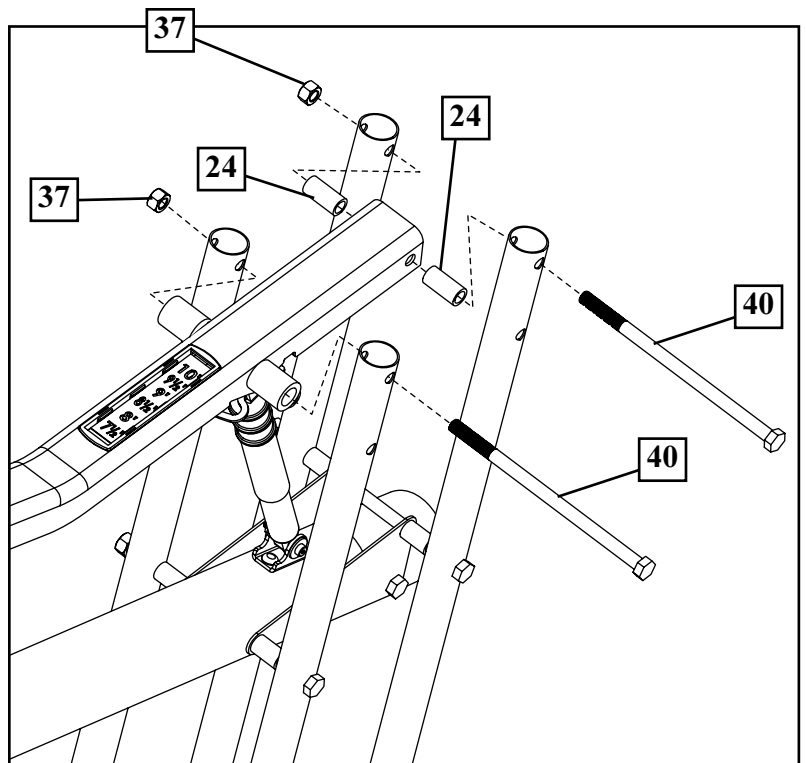
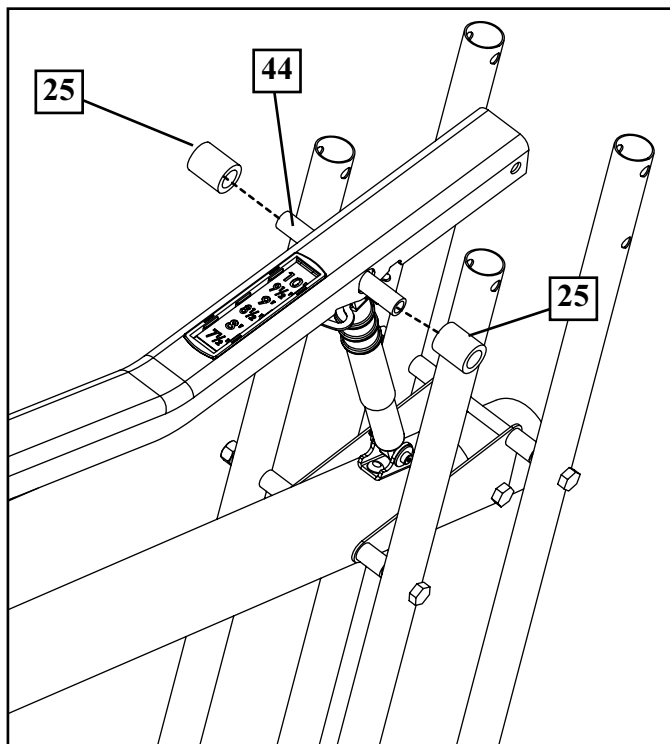


10.

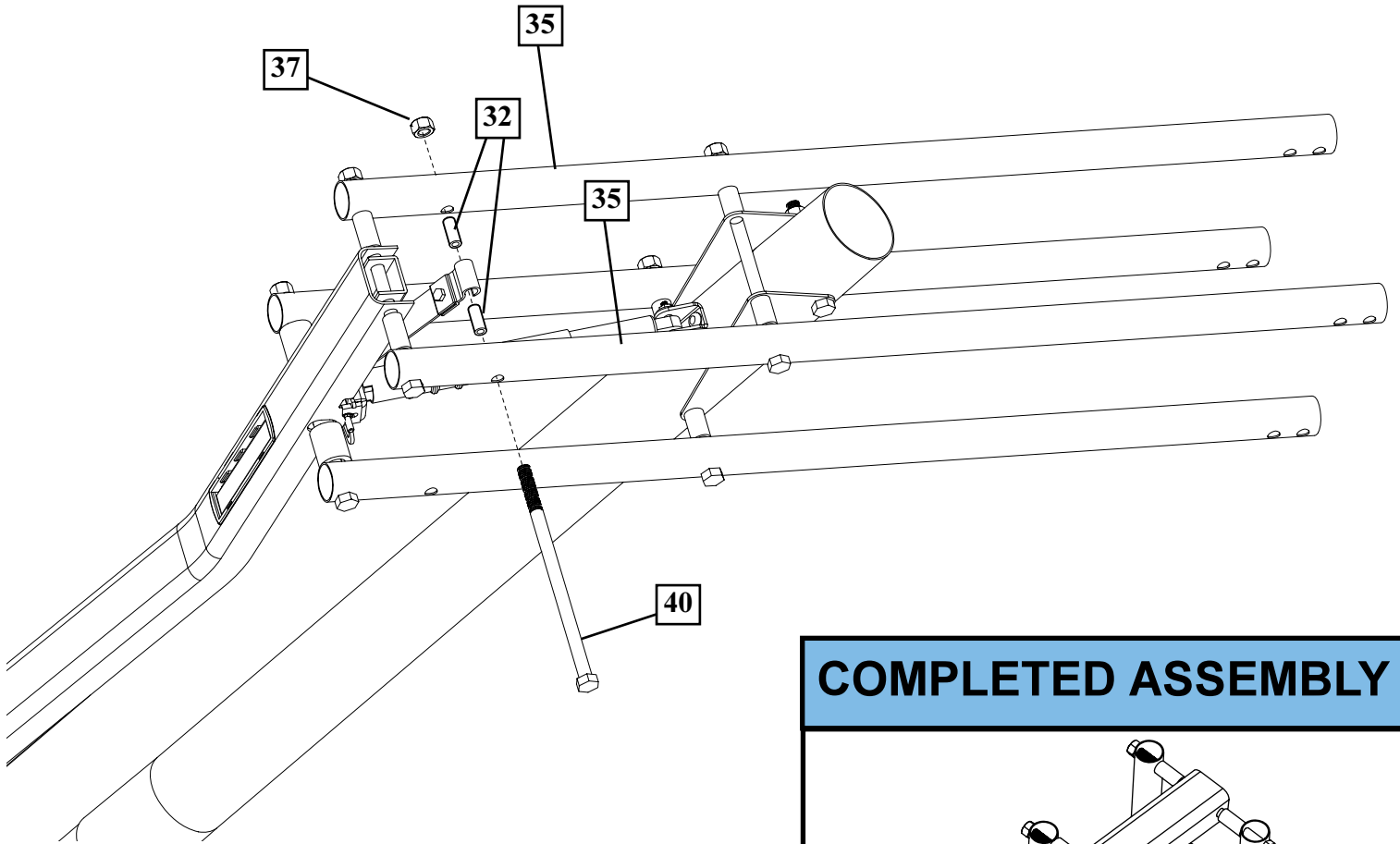
Attach strut (29) to pole bracket (36) with bolt (31), washers (11), and nut (58) as shown.



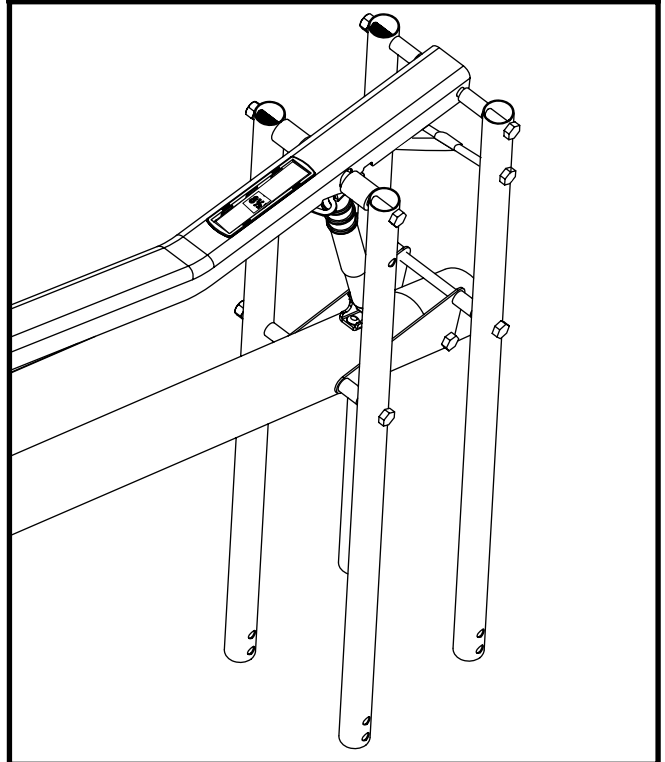
11. Slip plastic spacers (25) onto metal spacer (44) that is already inserted into handle assembly. Then, secure handle assembly to elevator tubes (35) using bolts (40), plastic spacers (24) and nuts (37).



- 12.** Secure strap and hook assembly to upper elevator arms (35) using bolt (40), plastic spacers (32) and nut (37) as shown.

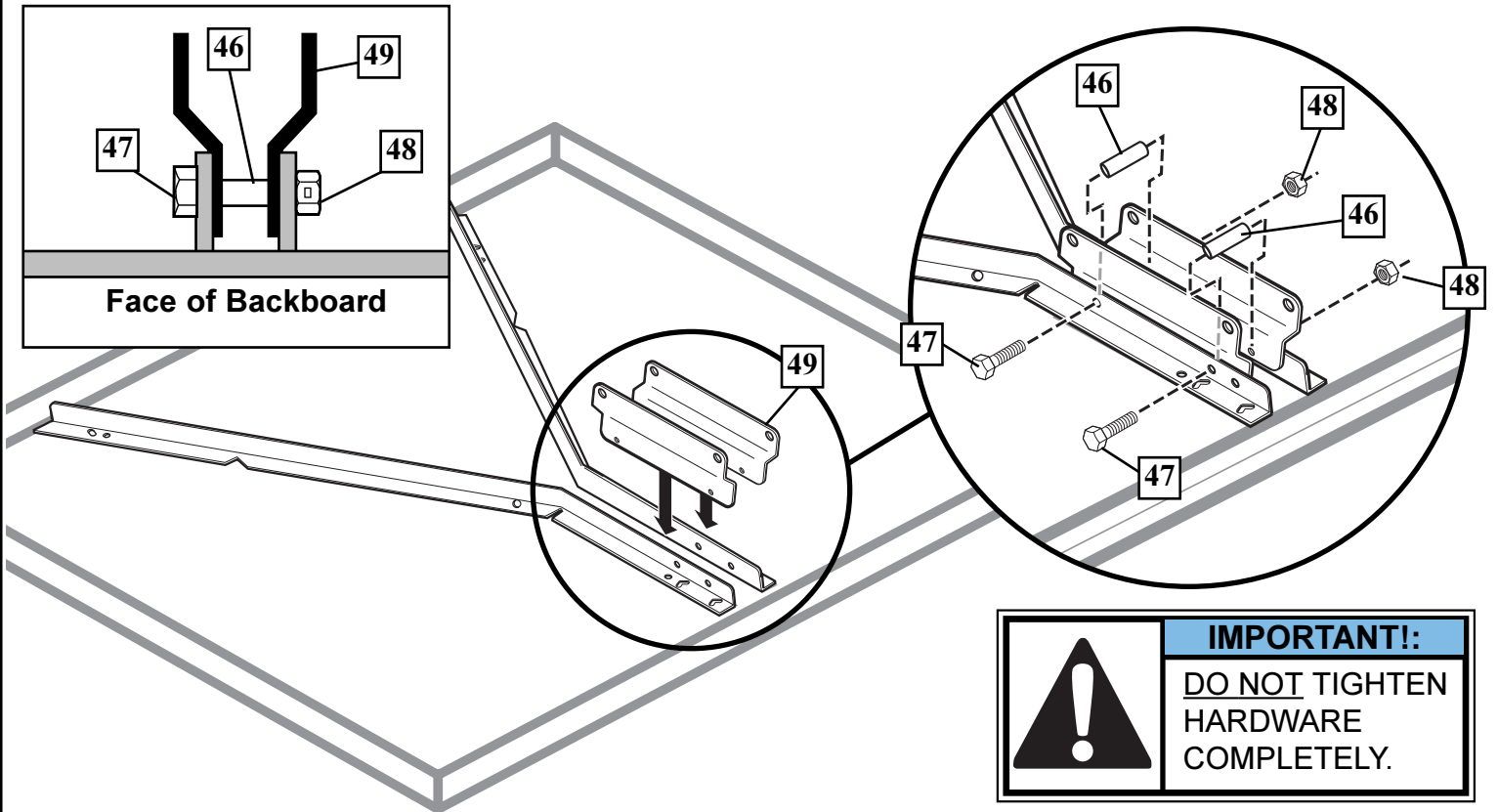


**COMPLETED ASSEMBLY**

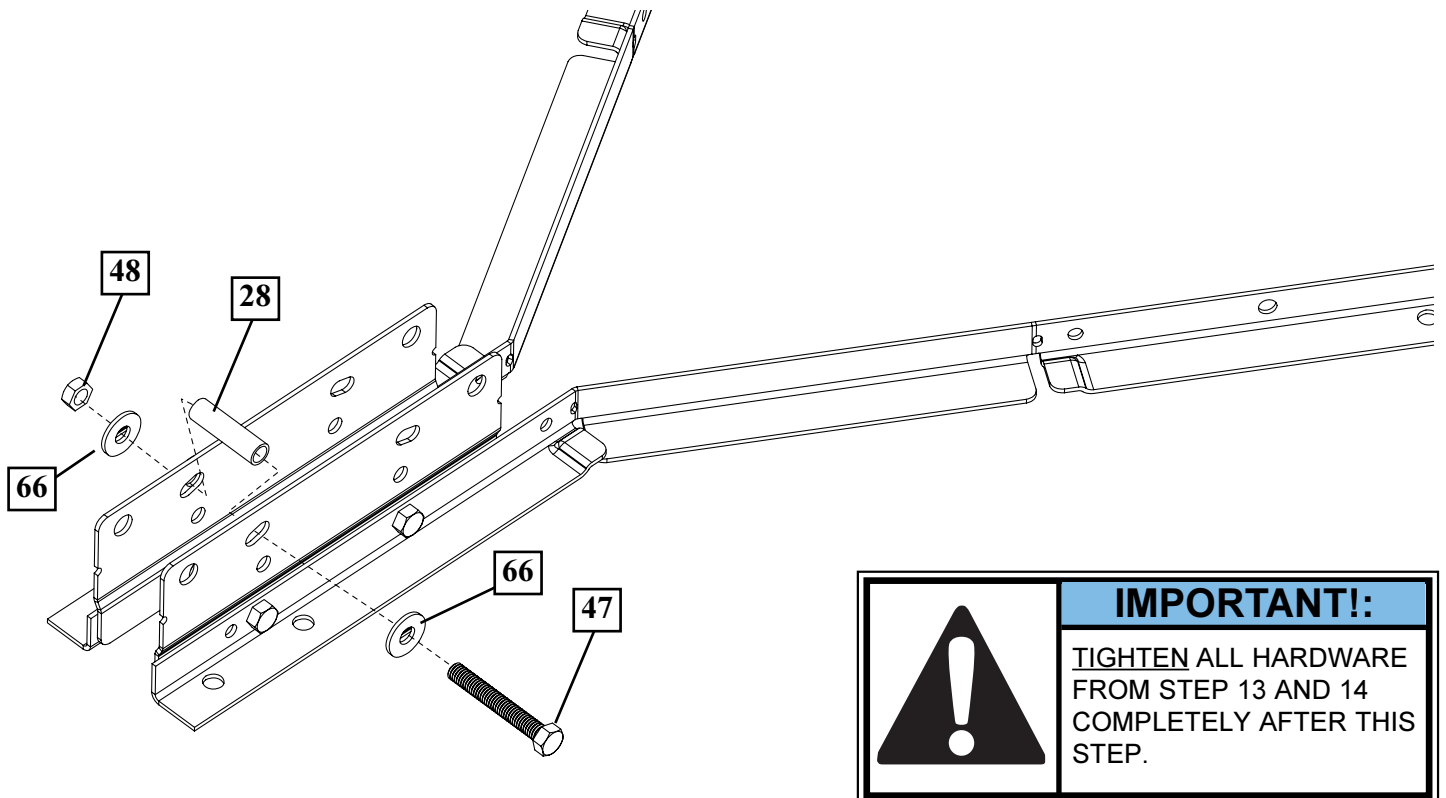




- 13.** Assemble brackets (49) to backboard using bolts (47) metal spacers (46) and nuts (48) as shown. The spacers may fit very tightly between the brackets and may need to be tapped into place with a hammer.

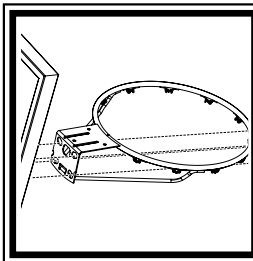
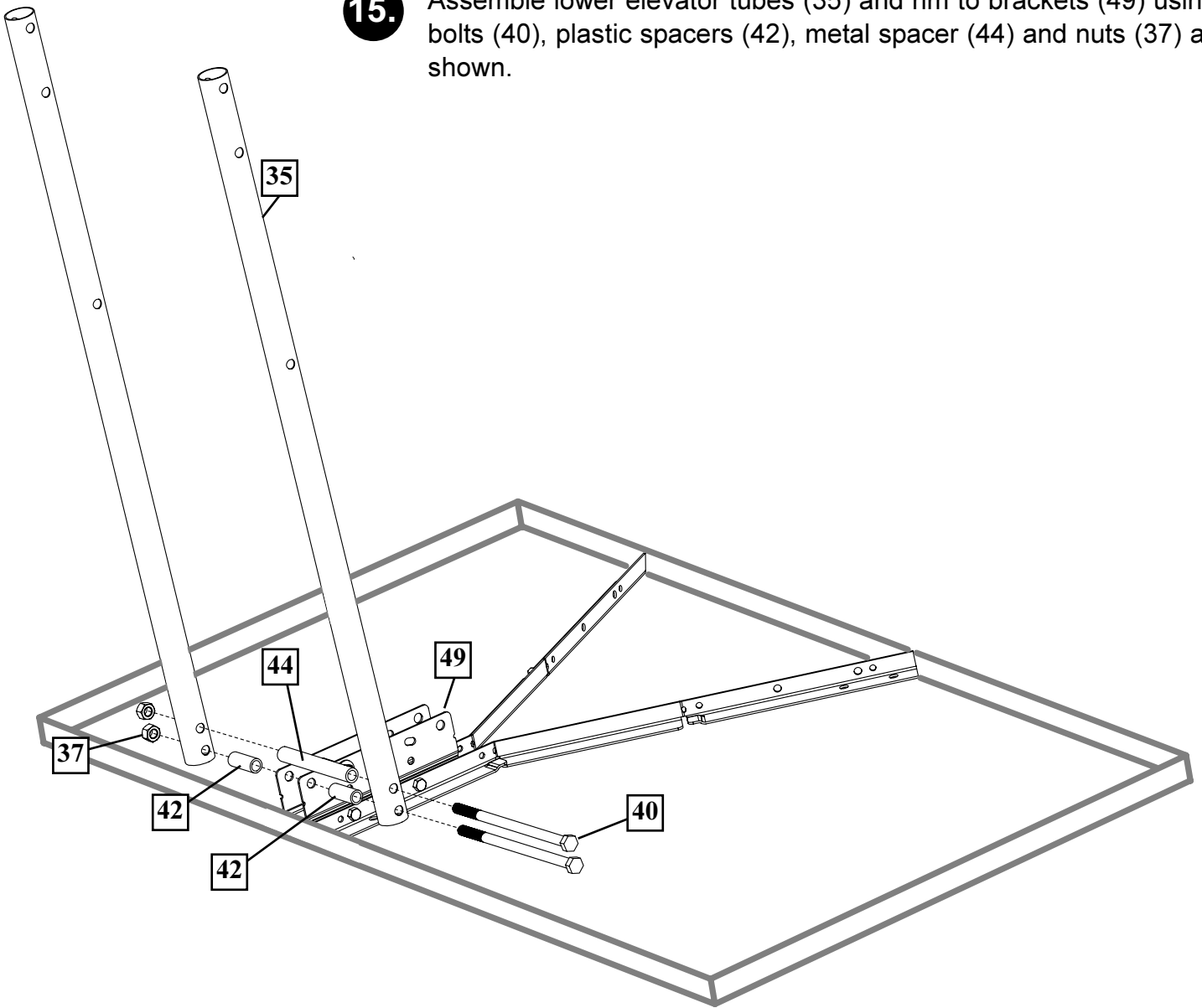


- 14.** Secure metal spacer (28) between board brackets (49) with bolt (47), washer (66), and nut (48).



**15.**

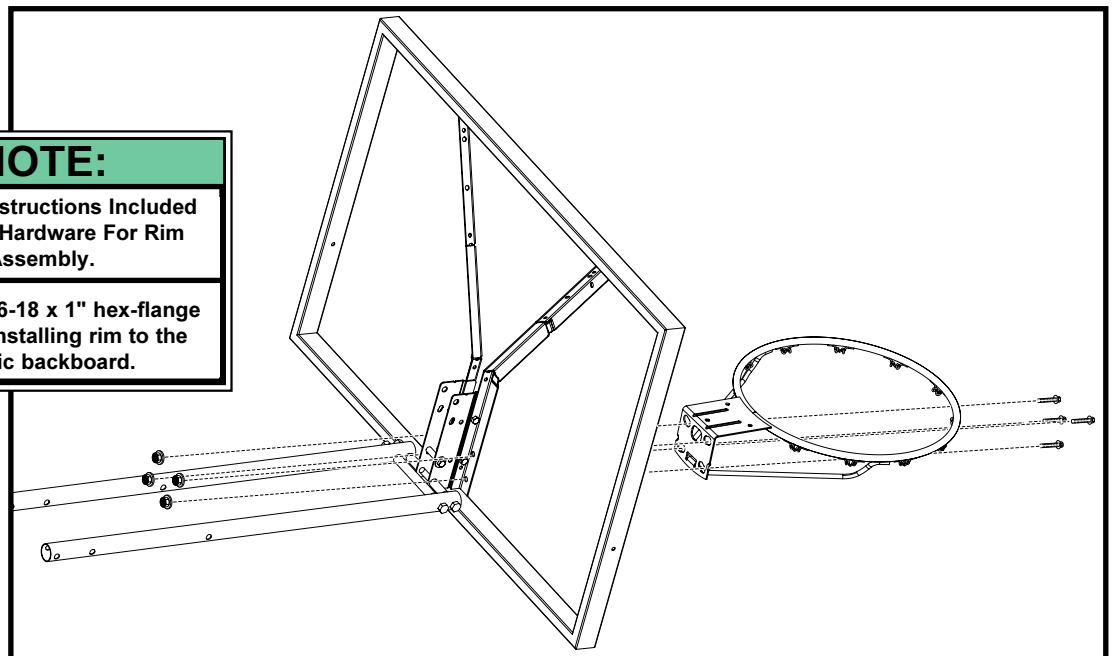
Assemble lower elevator tubes (35) and rim to brackets (49) using bolts (40), plastic spacers (42), metal spacer (44) and nuts (37) as shown.



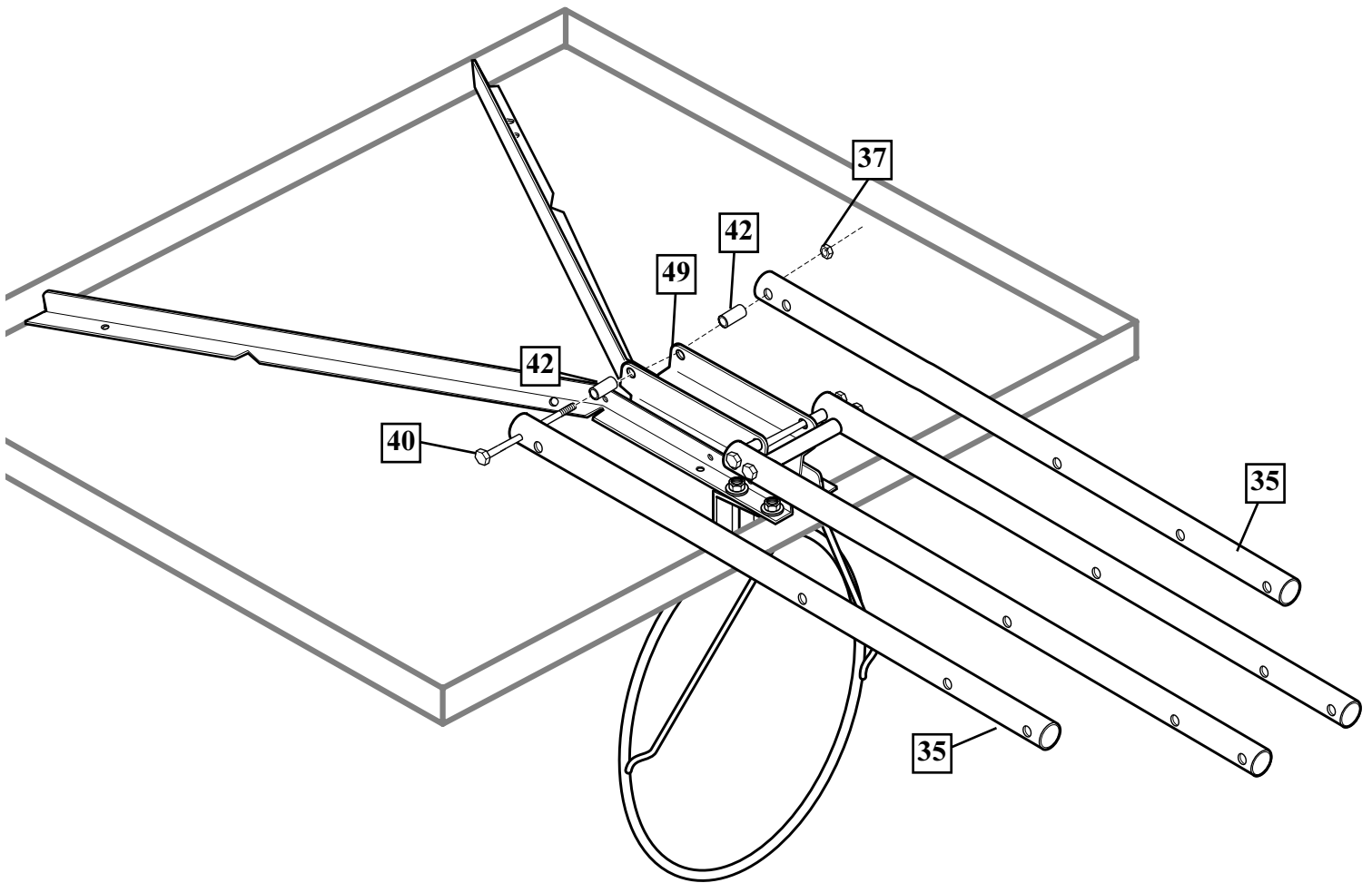
**NOTE:**

Refer To Instructions Included With Rim Hardware For Rim Assembly.

Use the 5/16-18 x 1" hex-flange bolts for installing rim to the acrylic backboard.

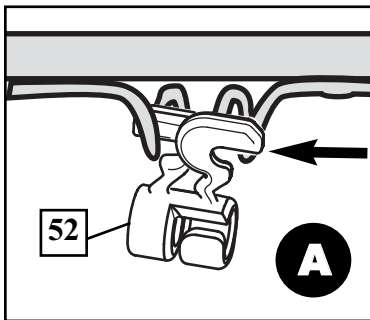
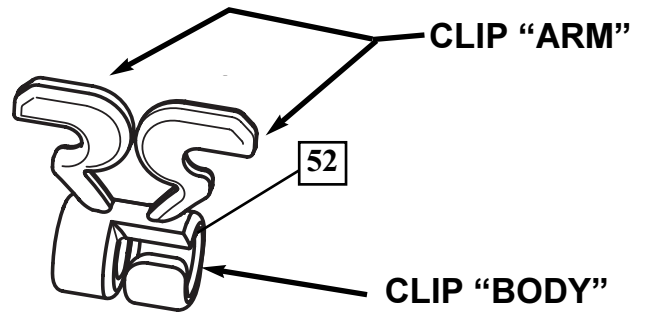


**16.** Assemble upper elevator tubes (35) to brackets using bolt (40), plastic spacers (42), and nut (37) as shown.

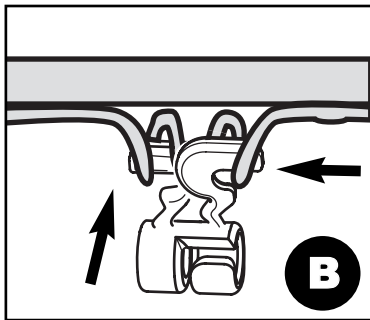


**Item #42**

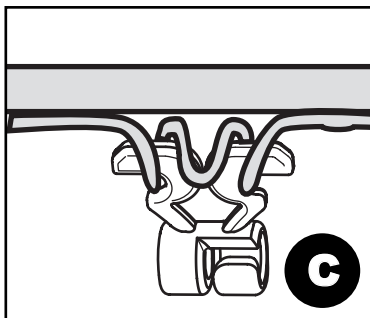
**17.** Install net clips.



Insert one "arm" of clip (52) into ram as shown. Twist "body" of clip slightly so that second "arm" slides over the top of the first "arm" as shown.  
Push in direction indicated by arrows.

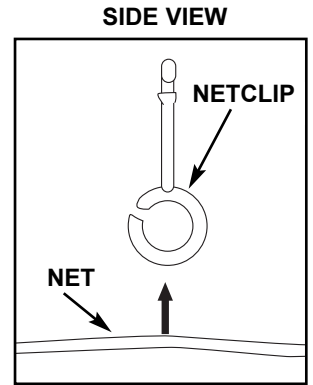
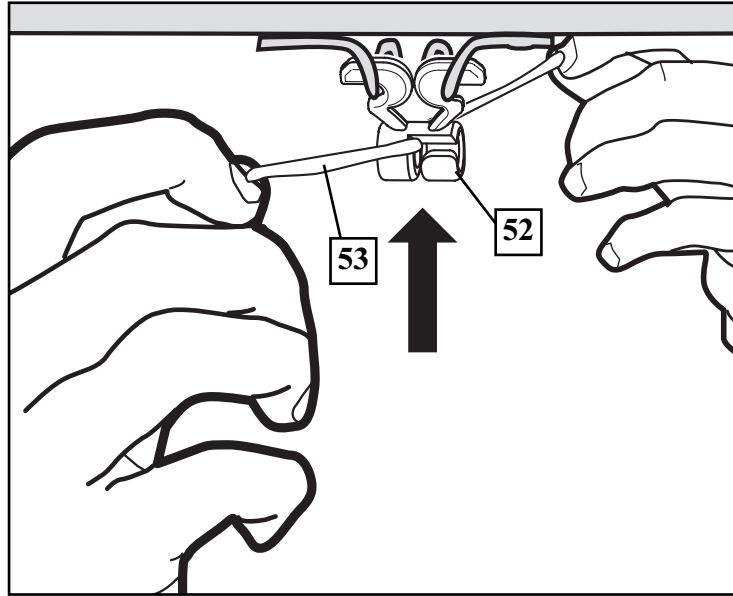


Push second "arm" back and into ram as shown.

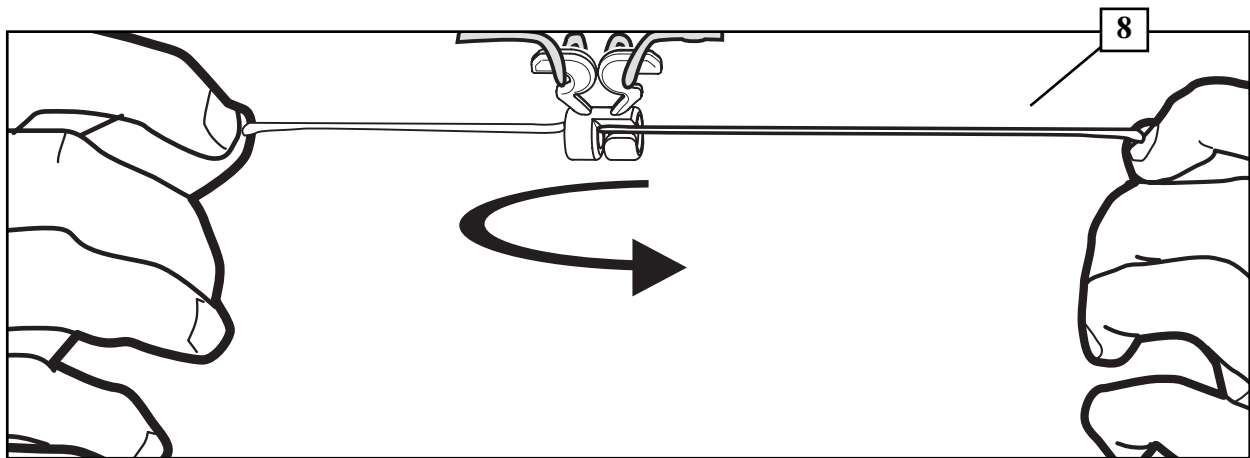


Twist "body" of clip slightly again to spread "arms" of clip. Clip "arms" must be flat and touching edge-to-edge as shown, without overlapping.

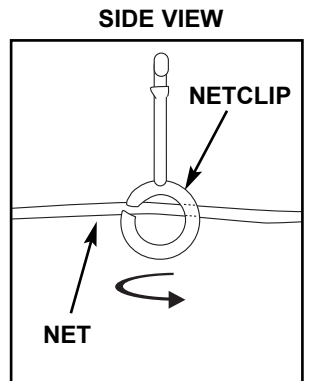
**18.** Install net.



**Insert net into bottom of clip as shown.**

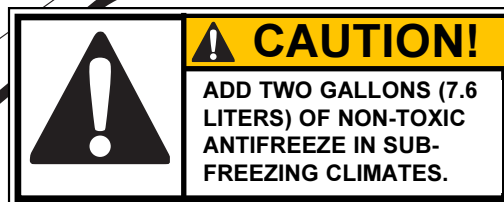
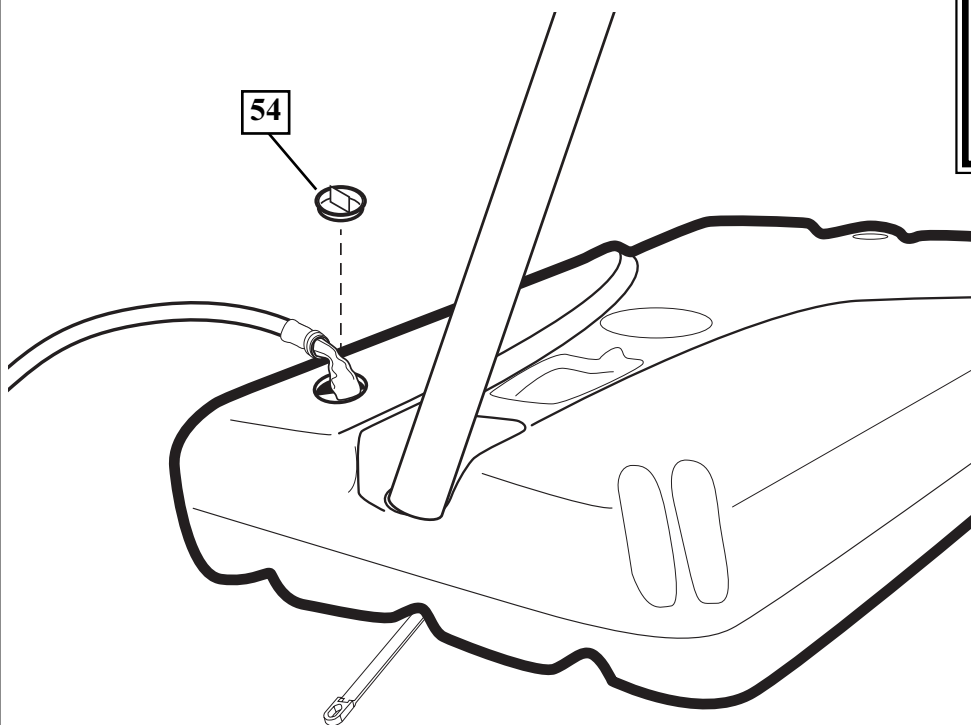


**Twist net until it snaps into position.  
Net must be centered through clip.**

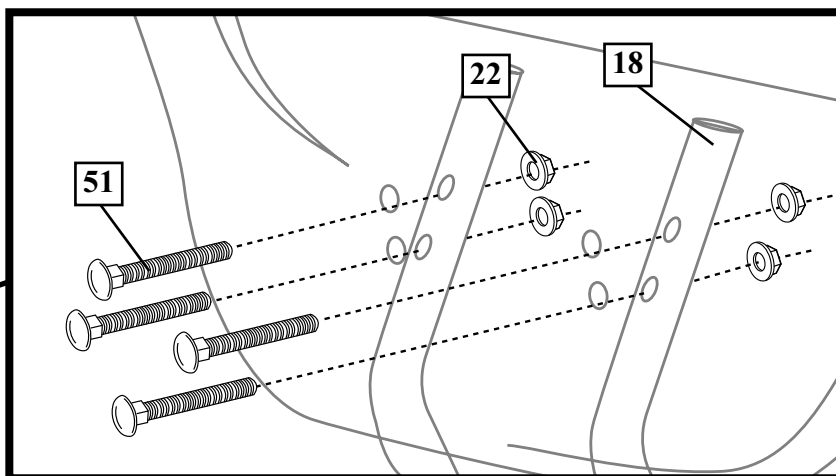
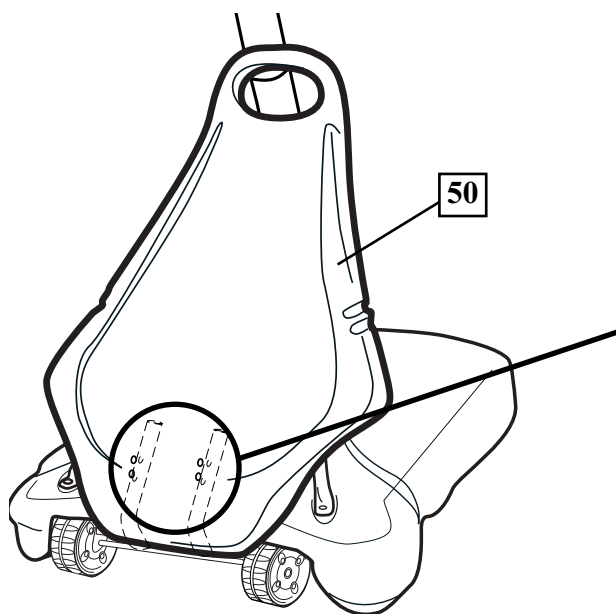


# SECTION D: INSTALL FRONT COVER & HANDLE

1. Upright system and fill base (8) with water (approx. 40 gallons) and snap fill cap (54) in place.

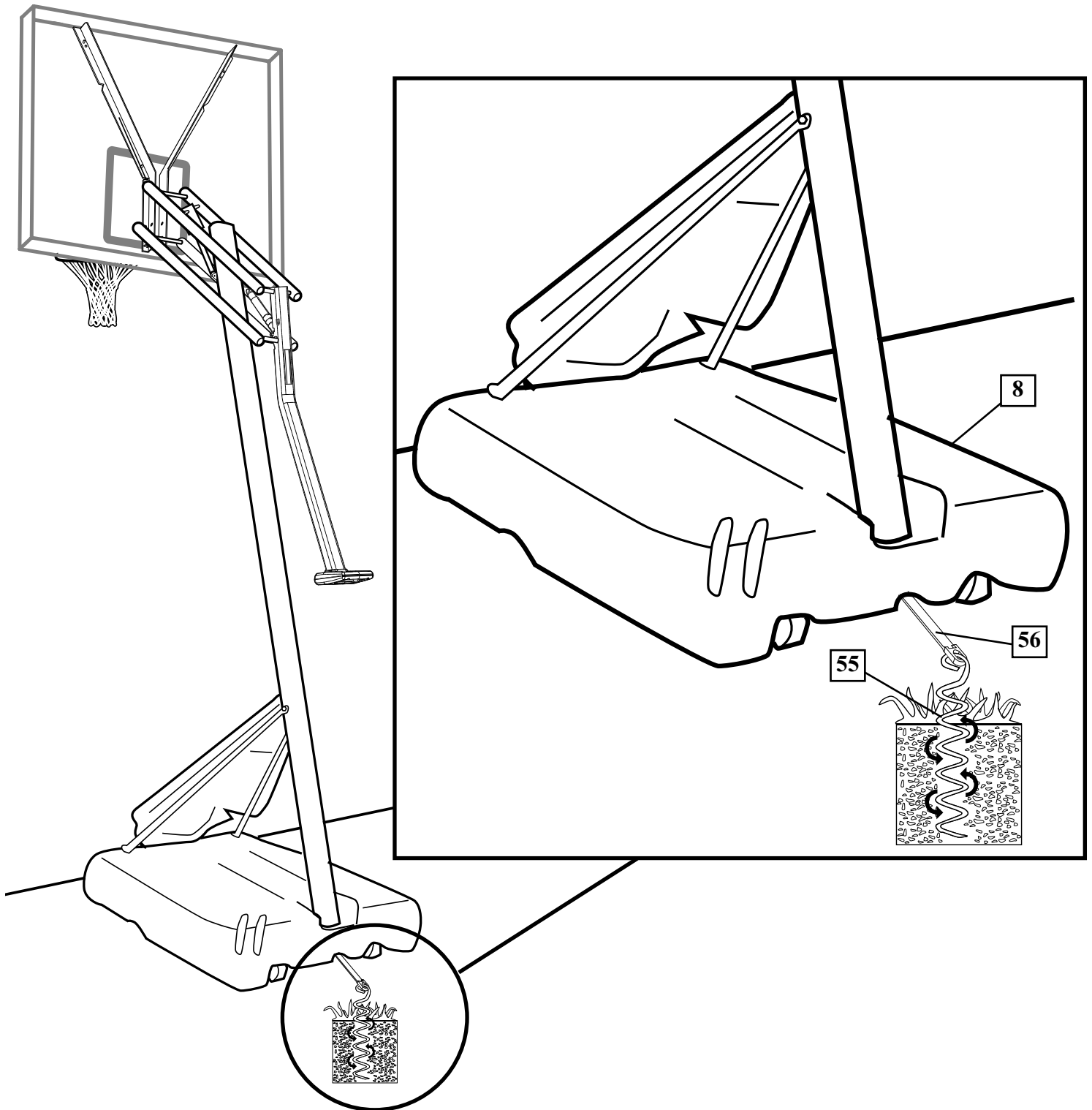


2. Attach front cover (50) to hinge tubes (18) using carriage bolts (51) and flange nuts (15) as shown.



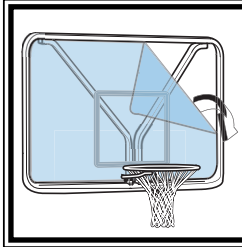
# SECTION E: SECURING THE SYSTEM

1. Roll assembly to desired playing area. Secure assembly to ground using strap (56) and tie down stake (55).



# SECTION F: APPLY HEIGHT AND MOVING LABEL

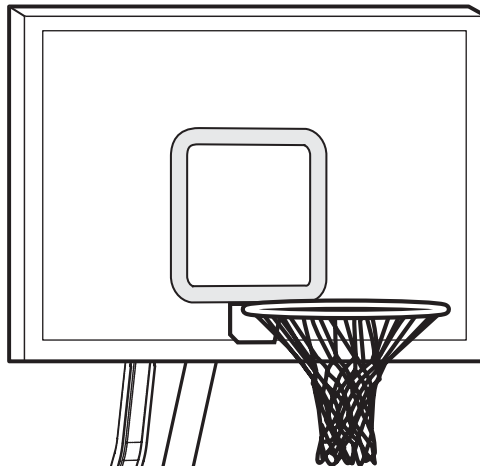
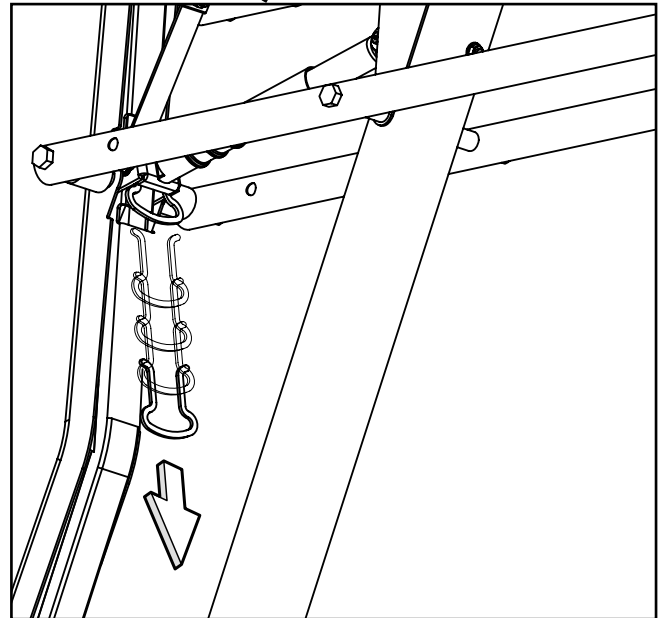
1. Apply Height Adjustment and Moving Label (57) to front of pole, where it is clearly visible.



## NOTE:

Peel protective film from surface of acrylic backboard prior to use.

Remove strut locking clip.

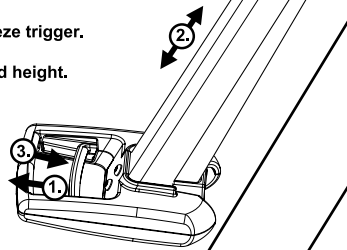


57

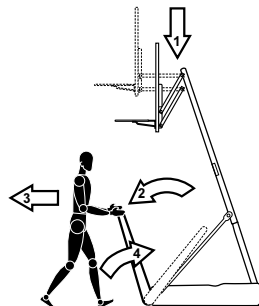
## HEIGHT ADJUSTMENT

TO ADJUST BACKBOARD:

1. Grasp handle and squeeze trigger.
2. Raise or lower to desired height.
3. Release trigger.



## MOVING SYSTEM



1. Adjust basketball backboard height to lowest position.
2. Rotate handle forward until wheels engage ground.
3. Move basketball system to desired location.
4. Rotate handle back to original position.
5. Reattach ground restraint and check system for stability.

203532 01/04



## Free Manuals Download Website

<http://myh66.com>

<http://usermanuals.us>

<http://www.somanuals.com>

<http://www.4manuals.cc>

<http://www.manual-lib.com>

<http://www.404manual.com>

<http://www.luxmanual.com>

<http://aubethermostatmanual.com>

Golf course search by state

<http://golfingnear.com>

Email search by domain

<http://emailbydomain.com>

Auto manuals search

<http://auto.somanuals.com>

TV manuals search

<http://tv.somanuals.com>