

HUFFY SPORTS

A Huffy Company

WRITE IN YOUR MODEL NUMBER: _____

Portable Basketball System with Elevator *Owner's Manual*

Customer Service Center • N53 W24700 South Corporate Circle • Sussex, WI 53089 • U.S.A.

IMPORTANT! In U.S. and Canada only: Have questions?...don't go back to the store!

We appreciate your purchasing one of our many fine products. We are sure that you will be very satisfied with your selection. Although great care and effort have been taken, occasionally problems may occur. To ensure prompt and correct handling of any problems, or to answer any questions, please contact our Toll-Free Customer Service Number listed below. Service will be quicker if you have your Model Number (found on carton) and assembly instructions ready when calling. PLEASE WRITE YOUR MODEL NUMBER IN THE SPACE PROVIDED ABOVE.

SAFETY INSTRUCTIONS

FAILURE TO FOLLOW THESE SAFETY INSTRUCTIONS MAY RESULT IN SERIOUS INJURY, PROPERTY DAMAGE AND WILL VOID WARRANTY.

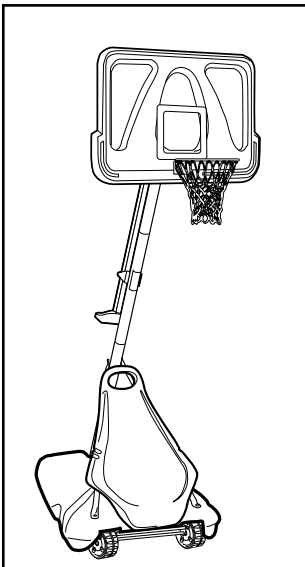
Owner must ensure that all players know and follow these rules for safe operation of the system.

To ensure safety, do not attempt to assemble this system without following the instructions carefully. Proper and complete assembly, use and supervision is essential for proper operation and to reduce the risk of accident or injury. A high probability of serious injury exists if this system is not installed, maintained, and operated properly. Check entire box and inside all packing material for parts and/or additional instructional material. Before beginning assembly, read the instructions and identify parts using the hardware identifier and parts list in this document.

- If using a ladder during assembly, use extreme caution.
- Two (2) people are recommended for this operation.
- Check base regularly for leakage. Slow leaks could cause system to tip over unexpectedly.
- Seat the pole sections properly (if applicable). Failure to do so could allow the pole sections to separate during play and/or transport of the system.
- Climate, corrosion or misuse could result in system failure.
- Minimum operational height is 6' 6" (1.98 m) to the bottom of backboard.
- This equipment is intended for home recreational use only and NOT excessive competitive play.
- Read and understand the warning label affixed to pole. Label is shown on page 1.
- The life of your basketball pole depends on many conditions. The climate, placement of the pole, the location of the pole, exposure to corrosives such as pesticides, herbicides or salts are all important.
- If technical assistance is required, contact Huffy Sports.
- Adult supervision is recommended when adjusting height.

Most injuries are caused by misuse and/or not following instructions. Use caution when using this system.

For more information on assembly, placement, proper use and maintenance, visit The American Basketball Council website at <http://www.smarthoops.com>.



REQUIRED TOOLS AND MATERIALS:

- Two People
- Tape Measure
- Wood Board (Scrap)
- Wrenches: (Two) 7/16, 1/2, 9/16, 3/4, (9/16 Deep Socket w/Ext. Recommended); (One) 3/8 or small adjustable wrench; (One) 1/4 or small adjustable wrench
- Sawhorse or Support Table
- Step Ladder 8 ft. (2.4 m)
- Garden Hose or Sand (300-325 lb.) (136-147 kg)
- Hammer
- Tape
- Needle Nose Pliers
- Safety Goggles

NOTICE TO ASSEMBLERS

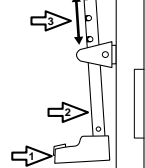
ALL Huffy Sports basketball Systems, including those used for **DISPLAYS**, **MUST** be assembled and ballasted with sand or water according to instructions. Failure to follow instructions could result in **SERIOUS INJURY**. It is **NOT** acceptable to devise a makeshift weight system.

73

HEIGHT ADJUSTMENT

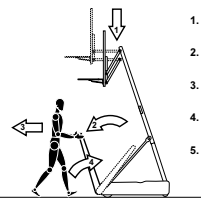
TO ADJUST BACKBOARD:

1. Grasp handle and depress lever.
2. Push toward pole while holding lever. Raise or lower to desired height while pushing forward on handle.
3. Release handle making sure that horizontal pin is locked into slot.



MOVING SYSTEM

1. Adjust basketball backboard height to lowest position.
2. Rotate handle forward until wheels engage ground.
3. Move basketball system to desired location.
4. Rotate handle back to original position.
5. Reattach ground restraint and check system for stability.



211249 02/00

The NBA and individual NBA member team identifications reproduced on this product are trademarks and copyrighted designs, and/or other forms of intellectual property, that are the exclusive property of NBA Properties, Inc. and the respective NBA member teams and may not be used, in whole or in part, without the written consent of NBA Properties, Inc.

WARNING

FAILURE TO FOLLOW THESE WARNINGS MAY RESULT IN SERIOUS INJURY AND/OR PROPERTY DAMAGE.

Owner must ensure that all players know and follow these rules for safe operation of the system.

- Do NOT HANG on the rim or any part of the system including backboard, support braces or net.
- During play, especially when performing dunk type activities, keep player's face away from the backboard, rim and net. Serious injury could occur if teeth/face come in contact with backboard, rim or net.
- Do not slide, climb, shake or play on base and/or pole.
- After assembly is complete, fill system completely with water or sand and stake to the ground. Never leave system in an upright position without filling base with weight, as system may tip over causing injuries.
- When adjusting height or moving system, keep hands and fingers away from moving parts.
- Do not allow children to move or adjust system.
- During play, do not wear jewelry (rings, watches, necklaces, etc.). Objects may entangle in net.
- Surface beneath the base must be smooth and free of gravel or other sharp objects. Punctures cause leakage and could cause system to tip over.
- Keep organic material away from pole base. Grass, litter, etc. could cause corrosion and/or deterioration.
- Check pole system for signs of corrosion (rust, pitting, chipping) and repaint with exterior enamel paint. If rust has penetrated through the steel anywhere, replace pole immediately.
- Check system before each use for proper ballast, loose hardware, excessive wear and signs corrosion and repair before use.
- Check system before each use for instability.
- Do not use system during windy and/or severe weather conditions; system may tip over. Place system in the storage position and/or in an area protected from the wind and free from personal property and/or overhead wires.
- Never play on damaged equipment.
- See instruction manual for proper installation and maintenance.
- When moving system, use caution to keep mechanism from shifting.
- Keep pole top covered with cap at all times.
- Do not allow water in tank to freeze. During sub-freezing weather add non-toxic antifreeze, sand or empty tank completely and store. (Do not use salt.)
- While moving system, Do not allow anyone to stand or sit on base or have added ballasting on base.
- Do not leave system unsupervised or play on system when wheels are engaged for moving.
- Use Caution when moving system across uneven surfaces. System may tip over.
- Use extreme caution if placing system on sloped surface. System may tip over more easily.

HUFFY SPORTS

In the U.S.: 1-800-558-5234 and Canada: 1-800-284-8339

201246 2/99

Toll-Free Customer Service Number for U.S: 1-800-558-5234, For Canada: 1-800-284-8339, For Europe: 00 800 555 85234 (Sweden: 009 555 85234), For Australia: 1-800-333 061 - Internet Address: <http://www.huffysports.com>

Download from www.Somanuals.com. All Manuals Search And Download.

PARTS LIST (See Hardware Identifier)

<u>Item</u>	<u>Qty.</u>	<u>Part No.</u>	<u>Description</u>	<u>Item</u>	<u>Qty.</u>	<u>Part No.</u>	<u>Description</u>
1	1	800149	Top Pole Section, Black	39	1	203589	Bolt, Hex Head, 5/16-18 x 1-1/4 Long
2	1	904811	Middle Pole Section, Black	40	1	201125	Ratchet Spring
3	1	903407	Bottom Pole Section, Black	41	1	211257	Label, Accuheight
4	1	200188	Rod, Zinc 3/8 x 5-1/4 Long	42	1	206219	Cap, Tank-Black
5	1	202822	Eyebolt, 3/8-16 x 3-3/4 Long	43	2	204840	Pin, 3/8 x 3 Long
6	1	200117	Tank	44	2	204841	Spring, Silver
7	1	203124	Stake, Tie Down	45	1	204819	Bracket, Pole Mount
8	4	203063	Lock Nut, Nylon Insert, 3/8-16	46	2	203053	Bolt, Carriage, 5/16-18 x 4 Long
9	2	906410	Struts, Base	47	1	206990	Reinforcement Bracket
10	1	202662	Bolt, 5/16-18 x 4-1/2 Long	48	1	204811	Spring Cover, Handle Left Side
11	12	203218	Washer, Flat, 5/16 x 7/8 O.D.	49	1	204812	Spring Cover, Handle Right Side
12	1	203220	Lock Nut, Nylon Insert, 5/16-18	50	1	206263	Bolt, Carriage, 5/16-18 x 3 Long
13	1	200516	Vinyl, Bolt Cover, 5/16	51	2	201129	Spacer, Metal, .5 O.D. x .402 I.D. x 1.8 Long
14	2	203798	Bolt, Hex Flange, 5/16-18 x 1-1/2 Long	52	2	900846	Board Bracket
15	22*	203100	Lock Nut, Whiz, 5/16-18	53	1	240017	Bolt, Hex Head, 1/4-20 x 2-1/4 Long
16	1	203223	Bolt, Carriage 5/16-18 X 1.00" Long	54	1	206360	Bolt, Hex Head, 3/8-16 x 2.625 Long
17	2	226401	Wheel 4" Diameter	55	1	203493	Lock Nut, Hex Center-lock, 1/4-20
18	1	200123	Upper Pivot Bracket	56	2	904821	Elevator Tube, Lower (Long)
19	1	200512	Bolt, Hex Head, 3/8-16 x 3-1/2 Long	57	6	204847	Bolt, Hex Head, 1/2-13 x 9-1/2 Long
20	5*	203232	Washer, 3/8 I.D., x 3/4 O.D.	58	7	206340	Lock Nut, 1/2-13
21	1	206252	Bolt, Hex Head, 3/8-16 x 1 Long	59	4	201682	Spacer, Black, .56 I.D. x .683 O.D. x 1.88 Long
22	1	206948	Lower Pivot Bracket	60	4	201611	Bolt, Hex Flange, 5/16-18 x 3 Long
23	1	203330	Bolt, Hex Head, 3/8-16 x 4-1/2 Long	61	4	265601	Bolt, Carriage, 5/16-14 x 3-1/2 Long
24	2	200122	Hinge Tubes	62	4*	205528	Bolt, Hex Flange, 5/16-18 x 1 Long
25	2	900223	Wheel Bracket	63	2	904807	Elevator Tubes, Upper (Short)
26	4	203103	Bolt, Carriage, 5/16-18 x 2 Long	64	1	207103	Pole Cap
27	2	226403	Wheel 6" Diameter	65	1	201139	Bolt, Hex Head, 1/2-13 x 4-1/2 Long
28	2	206940	Axle, .461 O.D. x 21 Long	66	2	201654	Triangle Plate
29	4	206938	Push Caps	67	8	202862	Spacer, Plastic, 1/2 I.D., 1-1/4 Long
30	1	206956	Disc, Plastic, 5" O.D. x .0625 Thick	68	1	204837	Spring
31	1	204839	Tinnerman Nut	69	1		Net
32	1	904816	Inner Channel	70	1		Rim
33	1	904815	Outer Channel	71	12	201219	Smart Clip, Net Holder
34	1	204813	Handle, Height Adjustment	72	1	200118	Front Cover
35	2	203217	Bolt, Carriage, 5/16-18 x 1-1/2 Long	73	1	211249	Label, Height and Moving
36	1	203679	Bolt, Hex Head, 3/8-16 x 2 Long	74	1	201568	Anchor Strap
37	2	201124	Lock Nut, Hex, 3/8-16	75	2	200533	Board Spacer
38	1	204814	Trigger, Height Adjustment				

*You may have extra parts with this model

WARRANTY CARD:

Please remember to complete your product registration form either on-line at:

www.huffysports.com/warrantycard

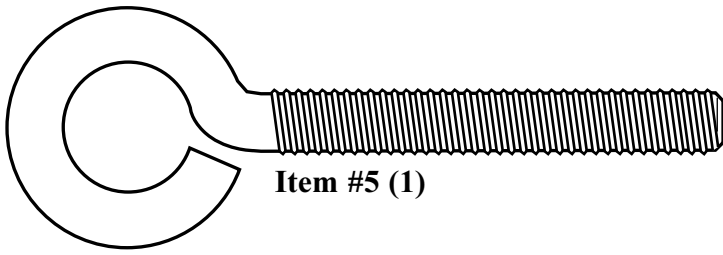
or mail-in the enclosed postcard.

WARNING: IF YOUR SYSTEM IS EQUIPPED WITH AN ACRYLIC BACKBOARD, EXAMINE BACKBOARD FOR ANY DAMAGE THAT MAY HAVE OCCURRED DURING SHIPMENT. CRACKS IN THE BACKBOARD COULD RESULT IN SUDDEN BREAKAGE. IF BACKBOARD IS DAMAGED IN ANY WAY PRIOR TO OR AFTER ASSEMBLY, CALL TOLL-FREE NUMBER FOR FREE REPLACEMENT:

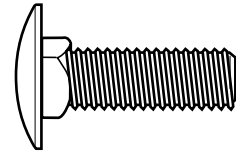
U.S. 1-800-558-5234; CANADA: 1-800-284-8339;

<http://www.huffysports.com>

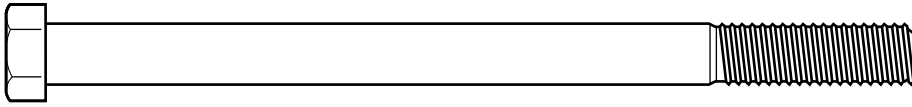
HARDWARE IDENTIFIER



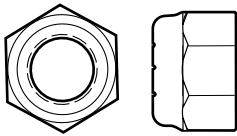
Item #5 (1)



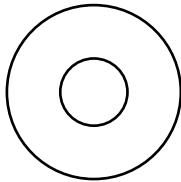
Item #16 (1)



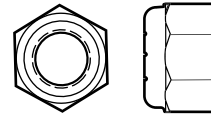
Item #10 (1)



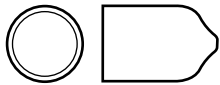
Item #8 (4)



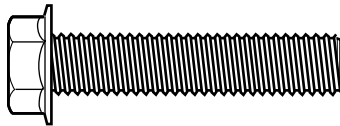
Item #11 (12)



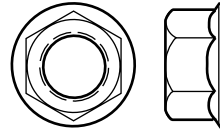
Item #12 (1)



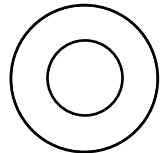
Item #13 (1)



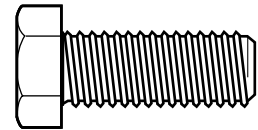
Item #14 (2)



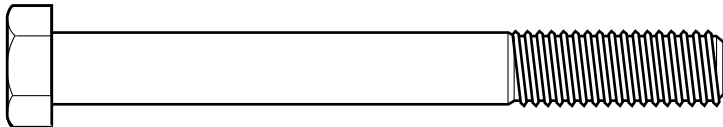
Item #15 (22)*



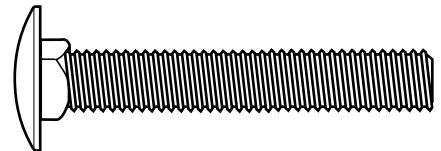
Item #20 (5)*



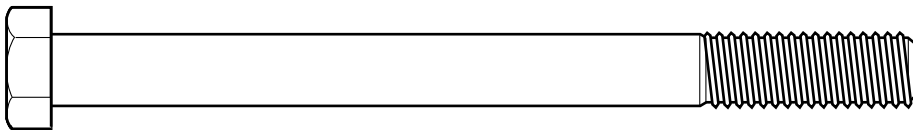
Item #21 (1)



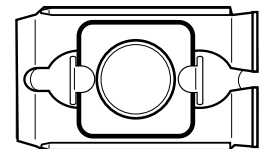
Item #19 (1)



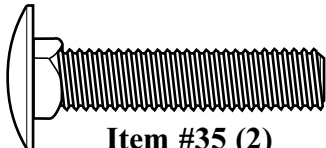
Item #26 (4)



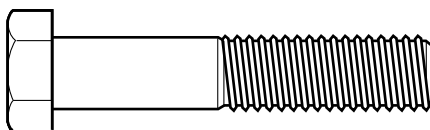
Item #23 (1)



Item #31 (1)



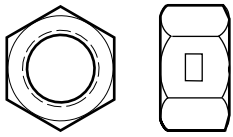
Item #35 (2)



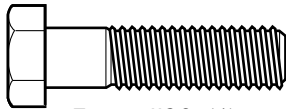
Item #36 (1)

HARDWARE IDENTIFIER (CONTINUED)

HARDWARE IDENTIFIER (continued)



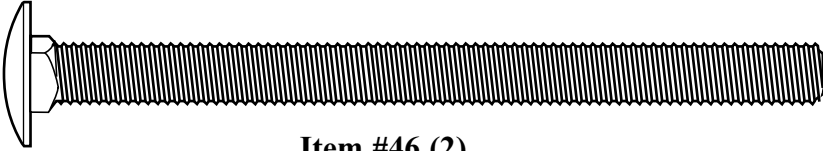
Item #37 (2)



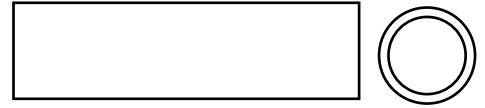
Item #39 (1)



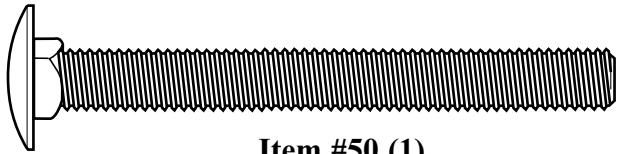
Item #43 (2)



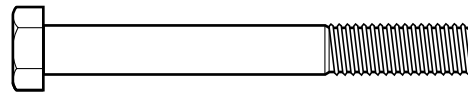
Item #46 (2)



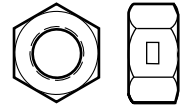
Item #51 (2)



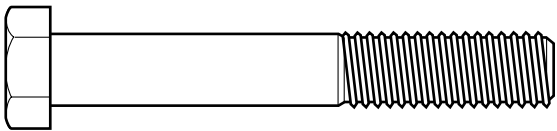
Item #50 (1)



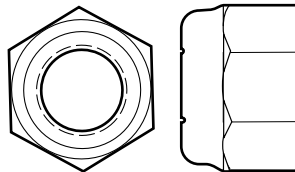
Item #53 (1)



Item #55 (1)



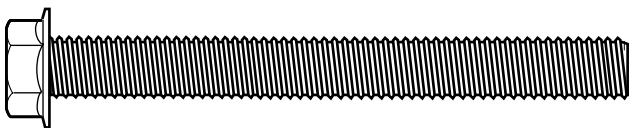
Item #54 (1)



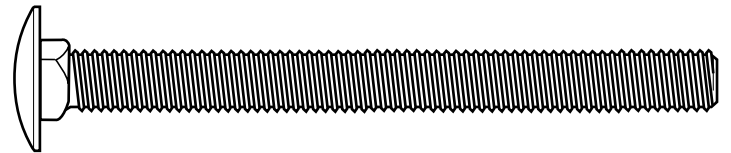
Item #58 (7)



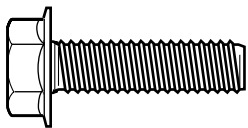
Item #59 (4)



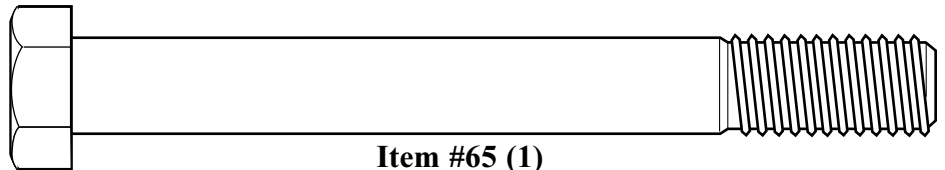
Item #60 (4)



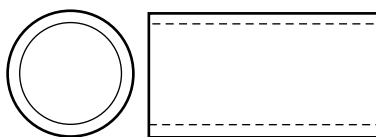
Item #61 (4)



Item #62 (4)*



Item #65 (1)



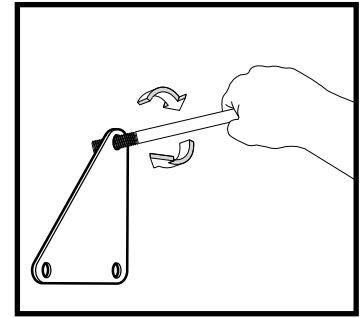
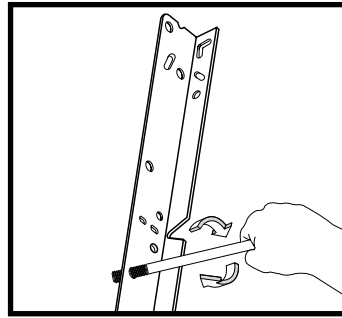
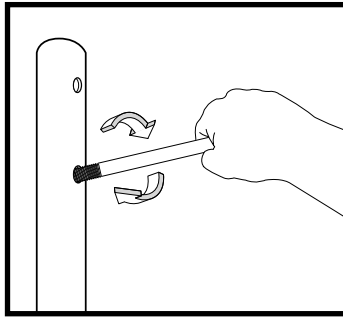
Item #67 (8)



Item #71 (12)

*You may have extra parts with this model.

BEFORE YOU START!



To ensure optimal playability of backboard system, a close tolerance fit between the elevator components and hardware is required. Test fit large bolts into large holes of elevator tubes, backboard brackets and triangle plates. Carefully rock them in a circular motion to ream out any excess paint from holes if necessary.

INSTRUCTIONS

IMPORTANT! WRITE MODEL NUMBER FROM BOX ONTO PAGE 1 OF THIS OWNERS MANUAL

1. Mark pole sections with tape as shown.
2. **IMPORTANT! Bounce pole top (1) and middle section (2) together as shown until they no longer move toward taped reference mark.** Upright assembly. **NOTE:** Pole sections should have a 3-1/2" (9 cm) minimum overlap.
3. **IMPORTANT! Holes in top (1) and bottom pole (3) sections MUST align to correctly position elevator system toward playing surface.** Add bottom pole section (3) to assembly as shown and bounce until completely tight. **NOTE:** Pole sections should have a 3-1/2" (9 cm) minimum overlap.
4. Install wheels (17) onto axle (28) and wheel bracket (25) with push caps (29) as shown.
5. Position base as shown. Secure wheel bracket assembly with bolt (16) and nut (15) as shown.
6. Install rod (4) through holes in bottom pole section (3) and eyebolt (5). Insert pole assembly into tank (6) and through center hole on wheel assembly as shown. Secure pole assembly with strap (74), washer (11) and lock nut (8). **NOTE:** Two people recommended for this step.
7. Secure base struts (9) to pole using bolt (10) washers (11) and nut (12) as shown. Rotate the non-secured ends of base struts (9) as shown.
8. Secure base struts (9) to base using bolt (14) washers (11) and nut (15).
9. Install upper pivot bracket (18) to front of base using bolt (19), washer (20) and nut (8) as shown.
10. Insert bolt (21) through lower pivot bracket (22) as shown, bolt (21) will be secured during step 12. Carefully place base assembly on its side. Install lower pivot bracket (22) with bolt (23), washers (20) and lock nut (8) as shown.
11. Secure both hinge tubes (24) to second wheel bracket (25) with carriage bolts (26) and flange nuts (15).
12. Install wheels (27) onto axle (28) and wheel bracket (25) with push caps (29) as shown.
13. Position base as shown. Secure wheel bracket assembly with disc (30), washer (20) and nut (8) as shown. **NOTE:** Two people recommended for this step.
14. Carefully reposition entire assembly as shown. **IMPORTANT! Two people recommended for this step.**
15. Snap tinnerman nut (31) onto inner channel (32). Place inner channel into outer channel (33) as shown.
16. Slide handle (34) into position as shown and secure with bolts (35), washers (11), and nuts (15). Tighten completely.
17. Install bolt (36), washers (11), and nut (37) as shown. Tighten until washers (11) are no longer loose. **NOTE:** Do not over tighten. Assemble trigger (38) to handle assembly (34, 32, 31) as shown and secure with bolt (39) and washer (11). Tighten completely.
18. **▲ WARNING: USE EYE PROTECTION WHEN INSTALLING SPRINGS.** Install trigger return spring (40) to handle assembly (32, 33) as shown.
19. Attach Accuheight label (41) to inner channel (32).
20. Attach spring (44) to pins (43) and install pins (43) onto pole mount bracket (45). Attach other spring (44) to opposite side. **NOTE:** Gently enlarge eyelets of spring with pliers if springs do not fit over pins.
21. **▲ WARNING: USE EYE PROTECTION WHEN INSTALLING SPRINGS.** Install pole mount assembly and reinforcement bracket (47) with carriage bolts (46) to pole as shown. Tighten flange nuts (15) completely.
22. Push back sliding pin (43) as shown in Figure A to fit adjustable system assembly through pole mount assembly. Then attach spring covers (48 & 49) onto pole mount bracket (45) with bolt (50), and nut (15) as shown in Figure B.
23. Install spacers (51) onto backboard brackets (52) with bolts (53, 54) and lock nuts (55, 37) as shown.
24. Assemble lower elevator tubes (56) as shown. **NOTE:** Tighten bolt (57) in lock nut (58) until flush (even) with lock nut's outer edge. **IMPORTANT! It is necessary for all parts to be installed for this mechanism to work safely and properly.** **NOTE:** Test fit bolts into holes of brackets (52) and carefully rock them in a circular motion to ream out paint from holes if necessary
25. Place board spacers (75) into board as shown. Bend brackets (52) to line up with holes in board. Insert bolts (62) into holes as shown. Tighten completely. **NOTE:** Rim mounting nuts (15) and bolts (60) supplied with rim hardware.
26. Assemble upper elevator tubes (63) to backboard brackets (52) as shown. **NOTE:** Tighten bolt (57) in lock nut (58) until flush (even) with lock nut's outer edge.
27. Support pole on sawhorse. Attach backboard assembly to top pole section (1) as shown. Then install pole cap (64). **NOTE:** Two people are recommended for this step. **Use caution; elevator assembly is heavy.**
28. Install upper elevator tubes (63) to triangle plates (66) as shown. Next, install handle assembly (32, 33) to lower elevator tubes (56) using bolt (57), spacers (67), and nut (58) as shown. **NOTE:** Tighten bolt (57) in lock nut (58) until flush (even) with lock nut's outer edge. **NOTE:** Before going on to next step, set adjustable system assembly to the 10' (3.05 m) setting.
29. **▲ WARNING: USE EYE PROTECTION WHEN INSTALLING SPRINGS.** Insert bolt (57) through left side upper elevator tube (63), then stretch spring (68) onto bolt (57). Insert bolt (57) through right side upper elevator tube (63) and secure with nut (58).
30. Attach front cover (72) to hinge tubes (24) using carriage bolt (61) and flange nuts (15) as shown. **▲ WARNING: DO NOT LEAVE ASSEMBLY UNATTENDED WHEN EMPTY, MAY TIP OVER.**
31. Apply height and moving label (73) to front of pole as shown.
32. Roll completed assembly to desired playing area. Secure assembly to ground using strap (74) and tie down stake (7). Fill tank with 34 gallons of water. **IMPORTANT! Add two gallons (7.6 Liters) of non-toxic antifreeze in sub-freezing climates.** Add two gallons (7.6 liters) to tank to prevent freezing in sub-freezing climates. Snap cap (42) into place.
33. **▲ WARNING: DO NOT ALLOW CHILDREN TO ADJUST HEIGHT.** Grasp handle and depress lever.
34. Push toward pole while holding lever. Raise or lower lever to desired height while pushing forward on handle.
35. Release handle making sure that horizontal pin (43) is locked into slot.
36. Install net clips as shown. (See illustration)
37. Install net as shown. (See illustration)

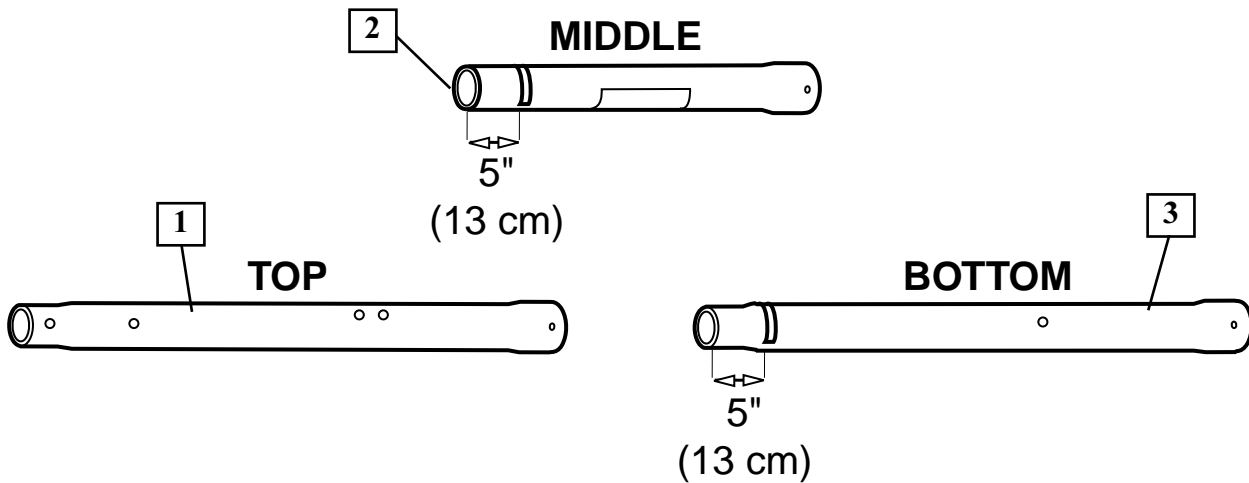


Questions or Missing Parts?

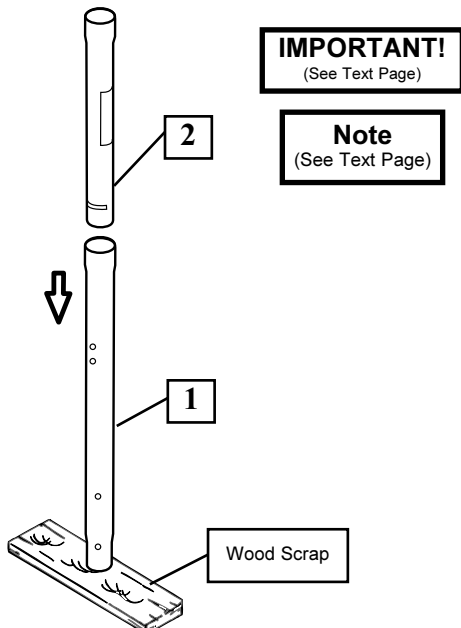
DON'T go back to store!

Call TOLL-FREE Customer Service Number listed on the front page!

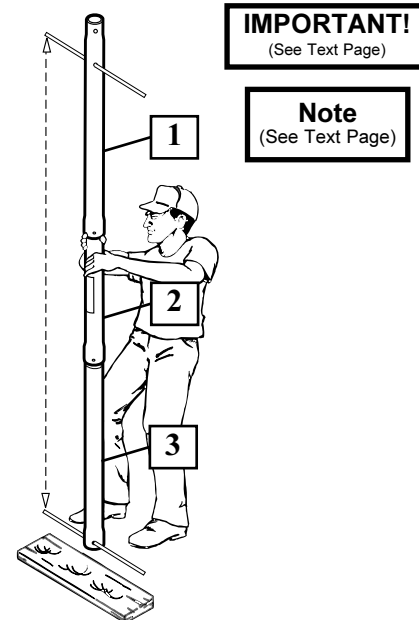
1.

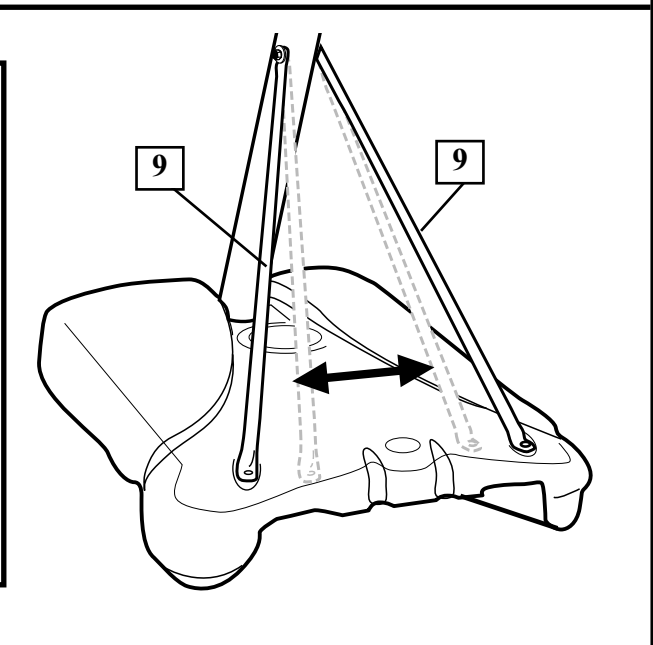
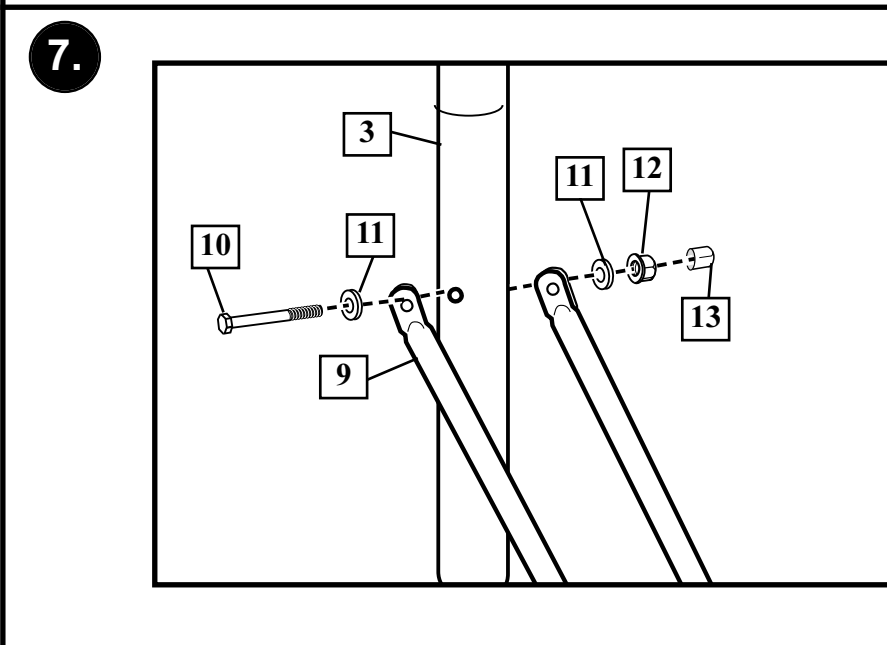
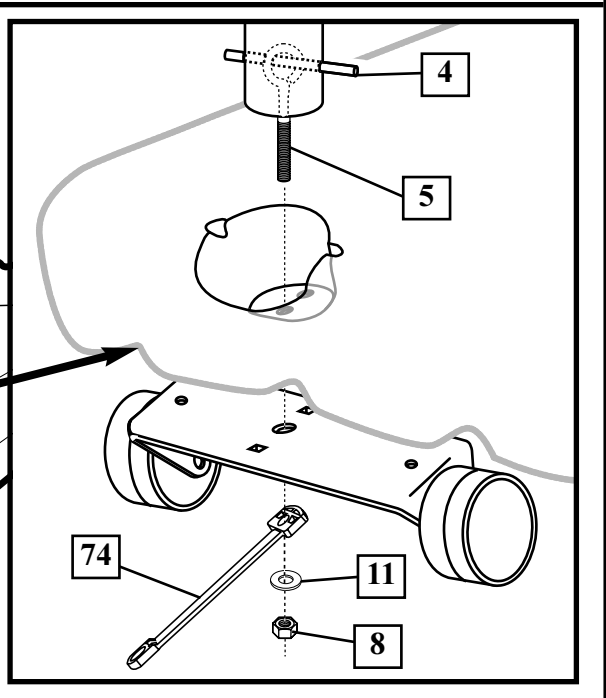
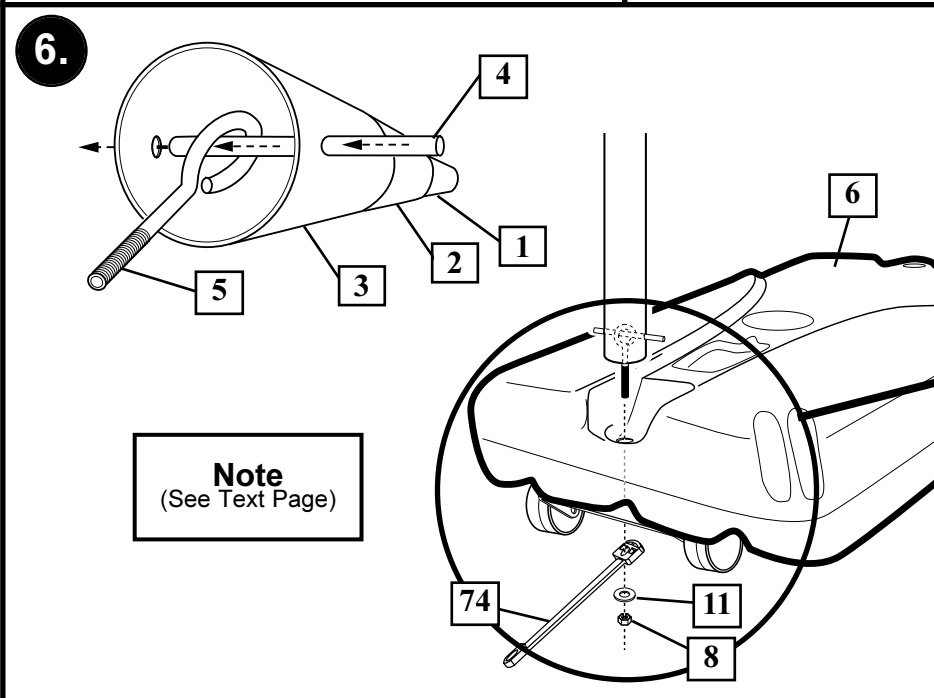
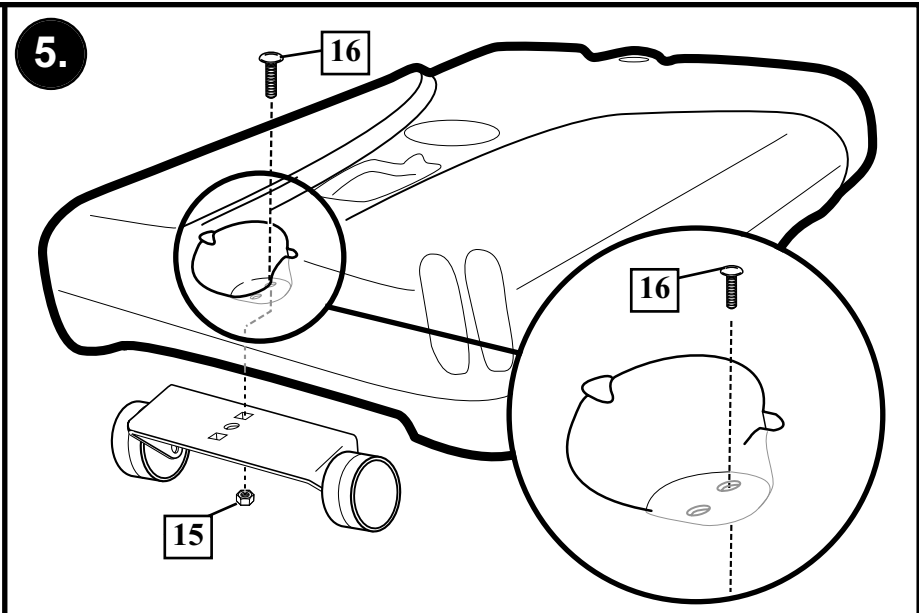
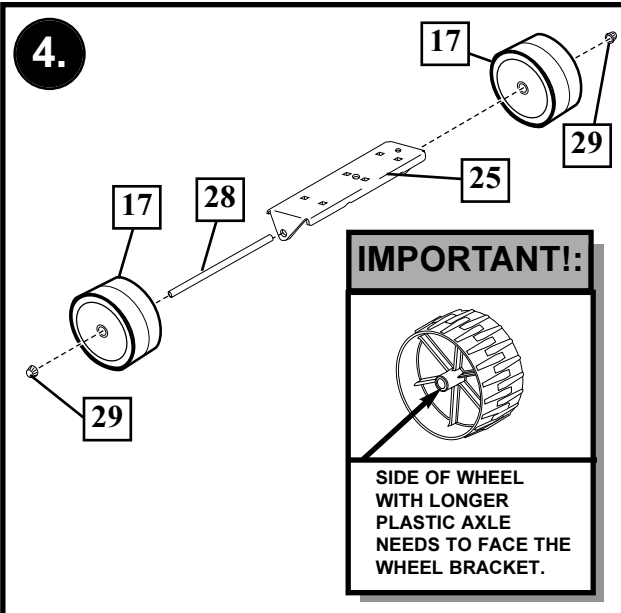


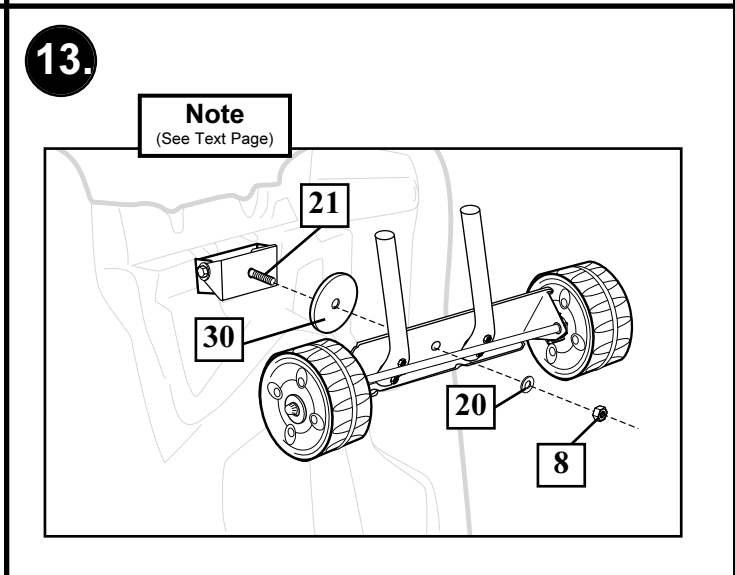
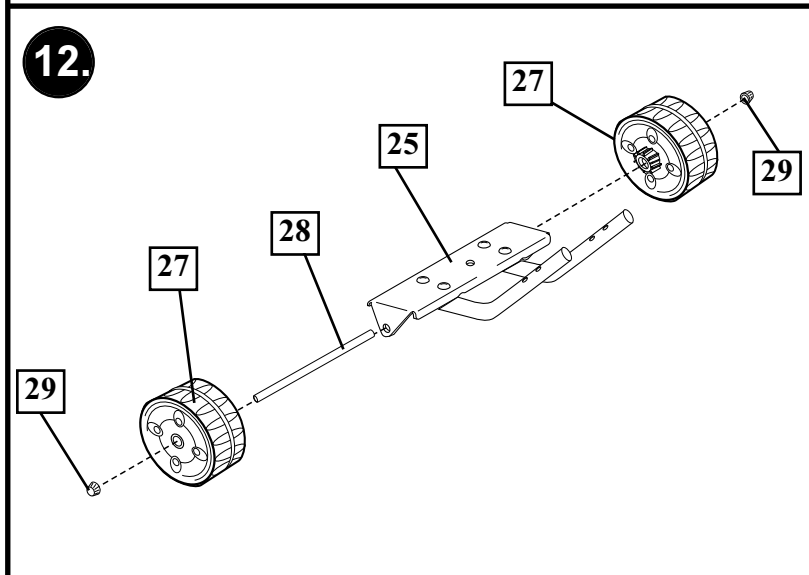
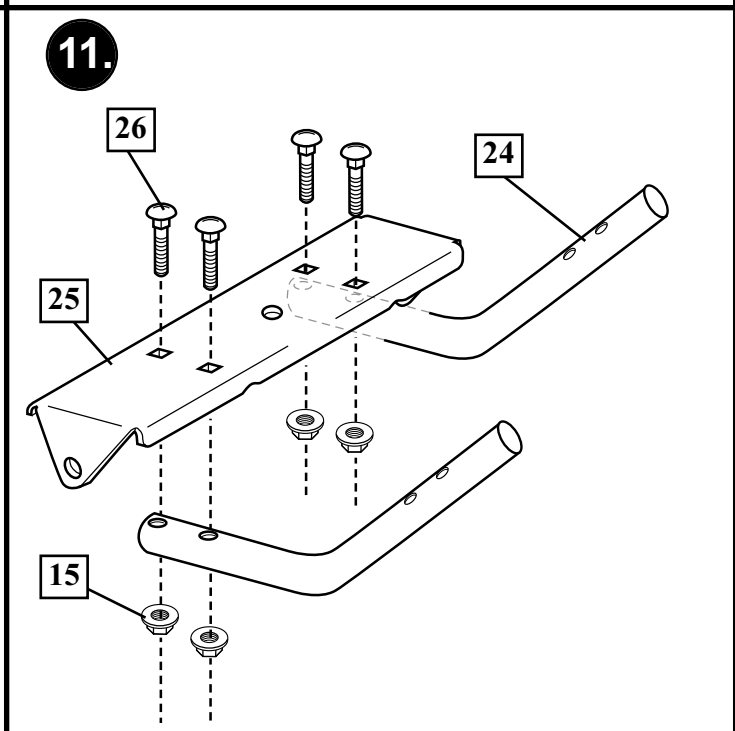
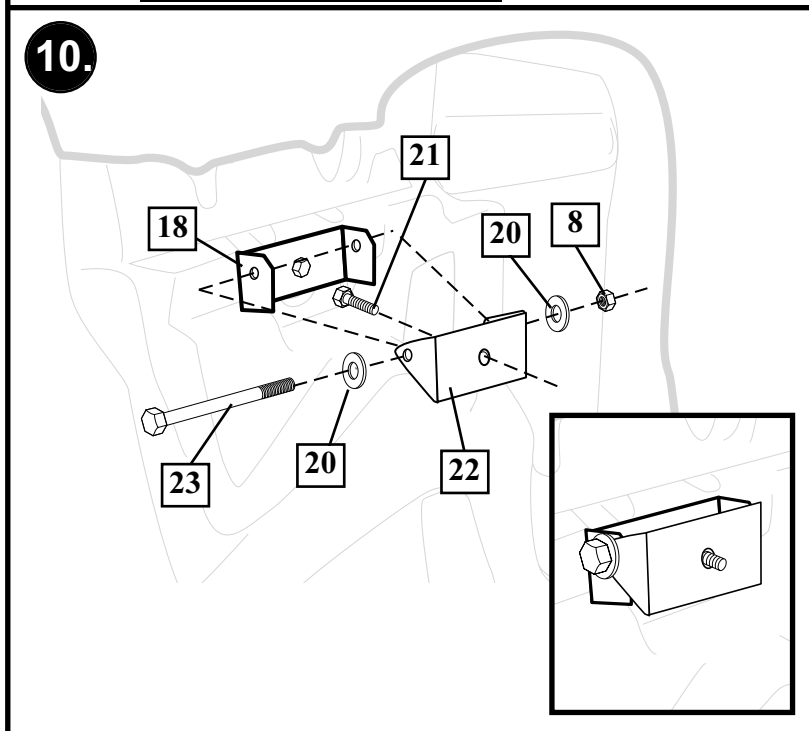
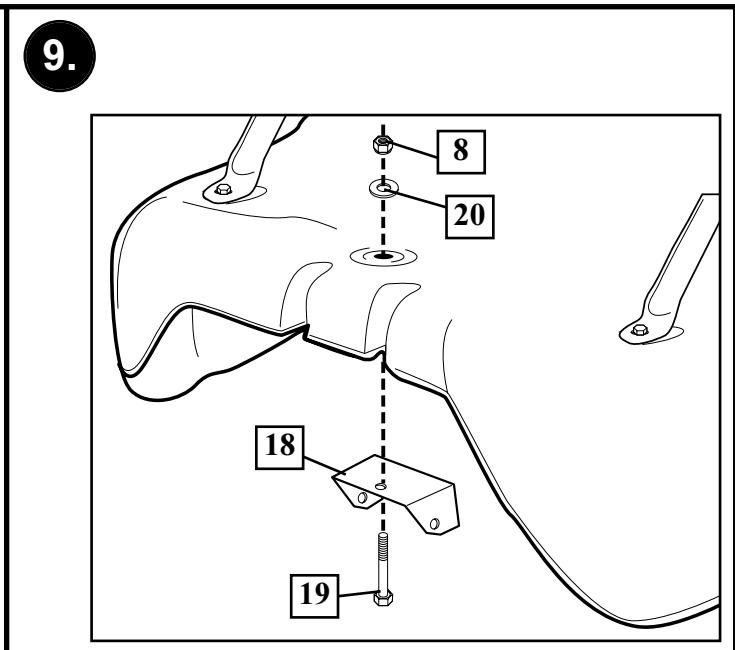
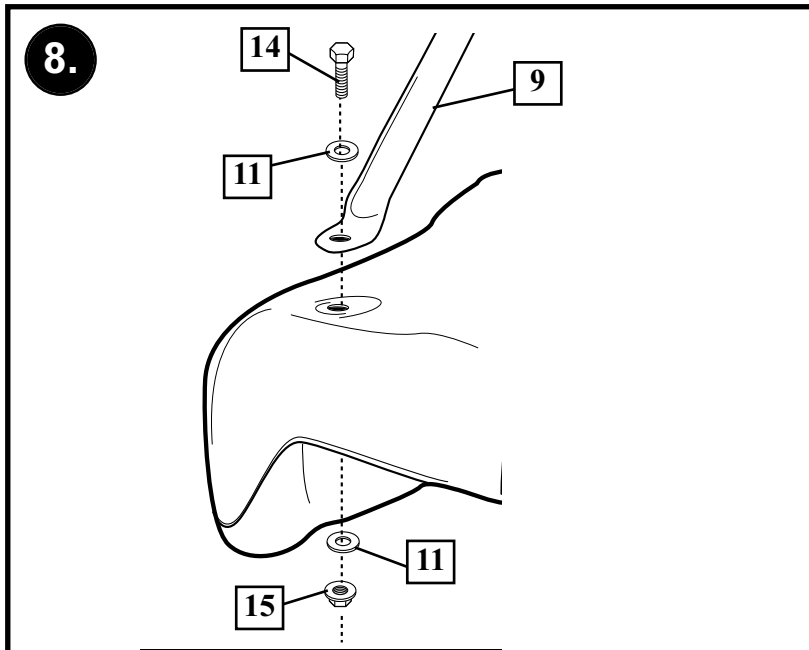
2.



3.

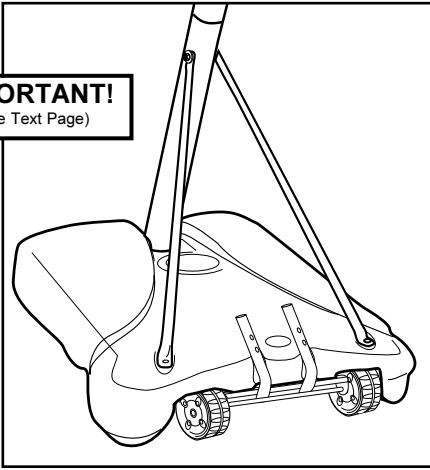




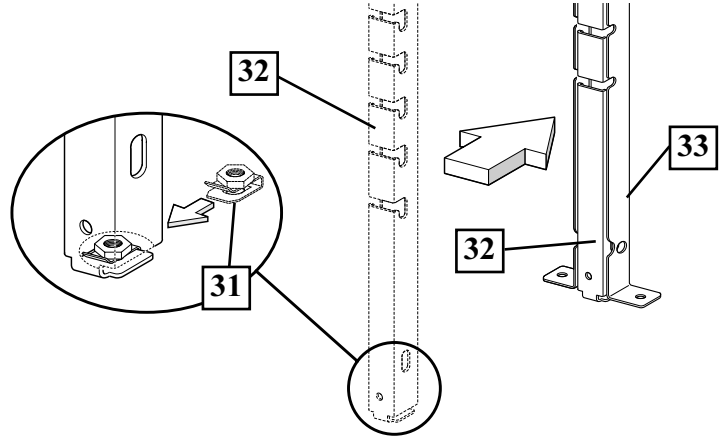


14.

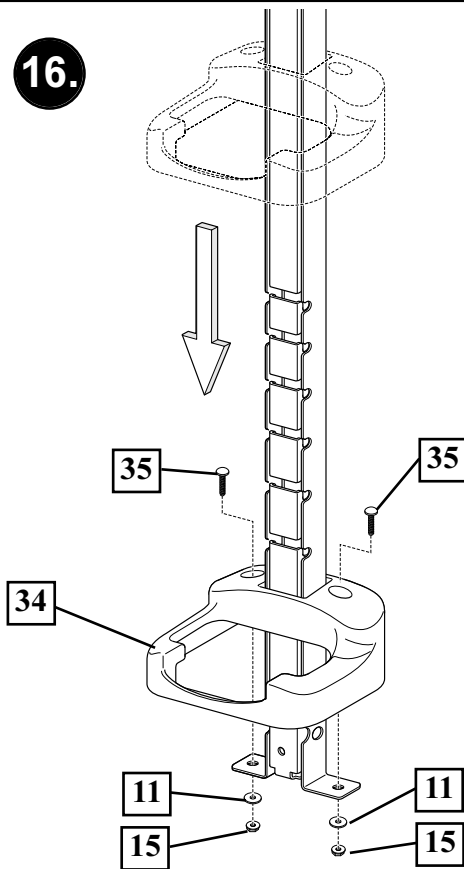
IMPORTANT!
(See Text Page)



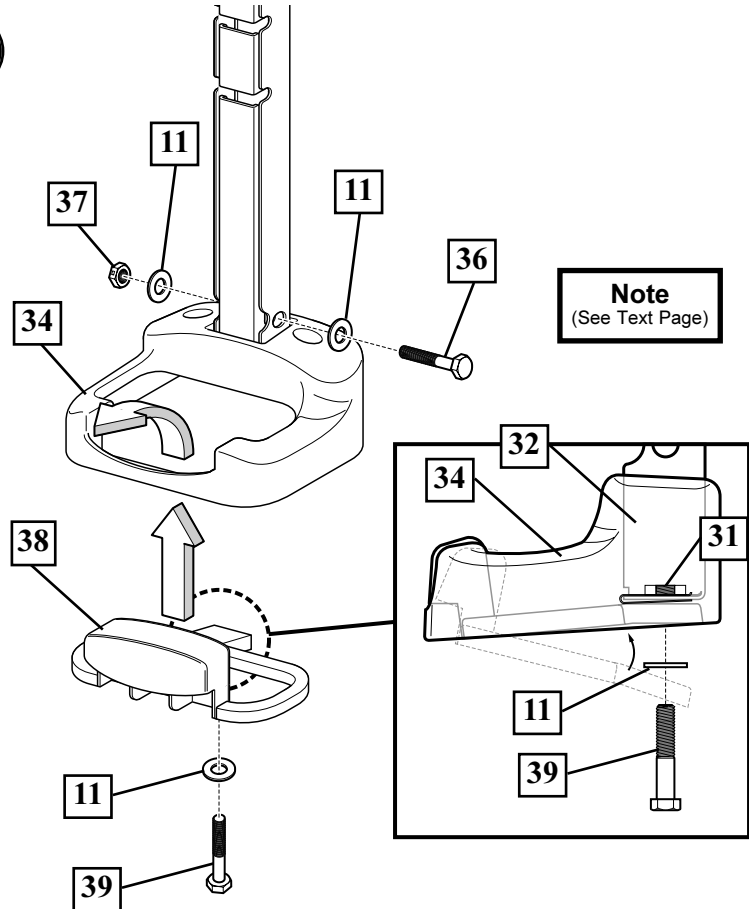
15.



16.

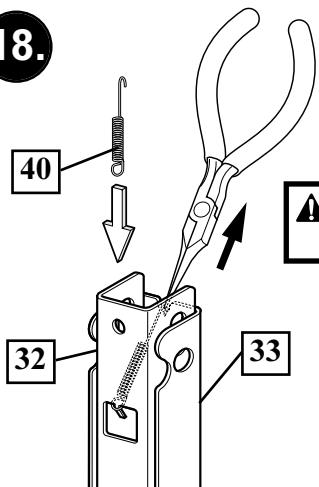


17.

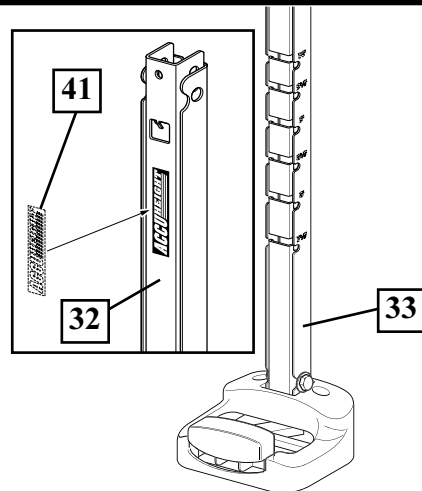


18.

WARNING
(See Text Page)



19.

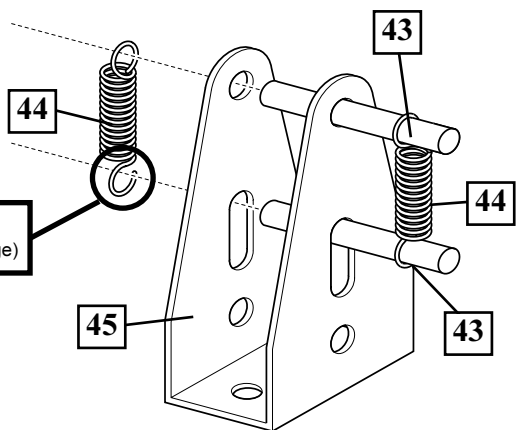


20.

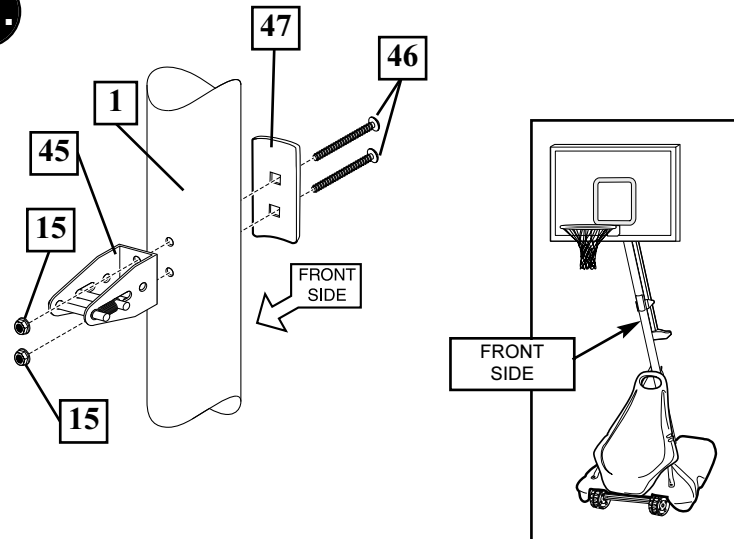
WARNING

(See Text Page)

Note
(See Text Page)



21.



22.

Fig. A

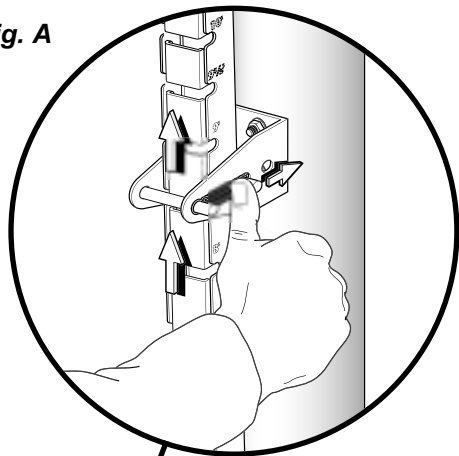
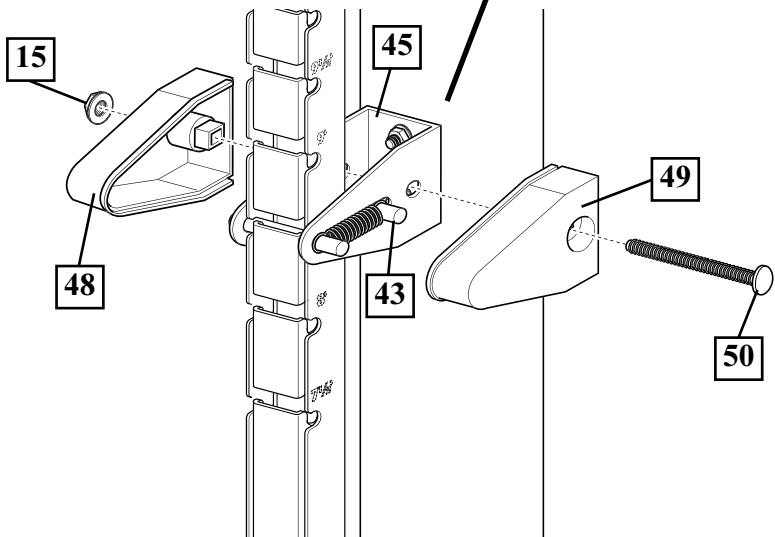
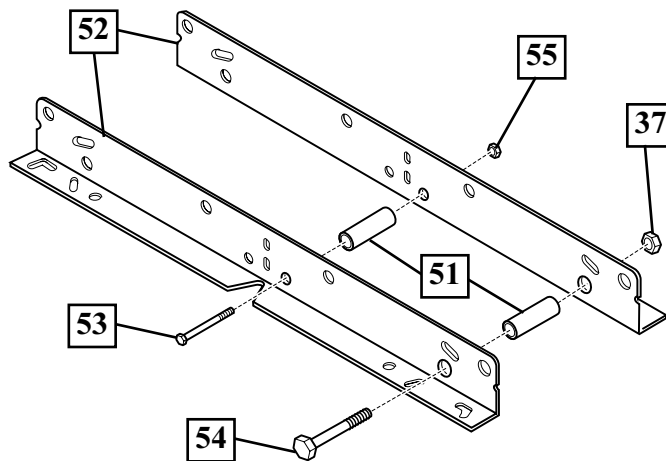


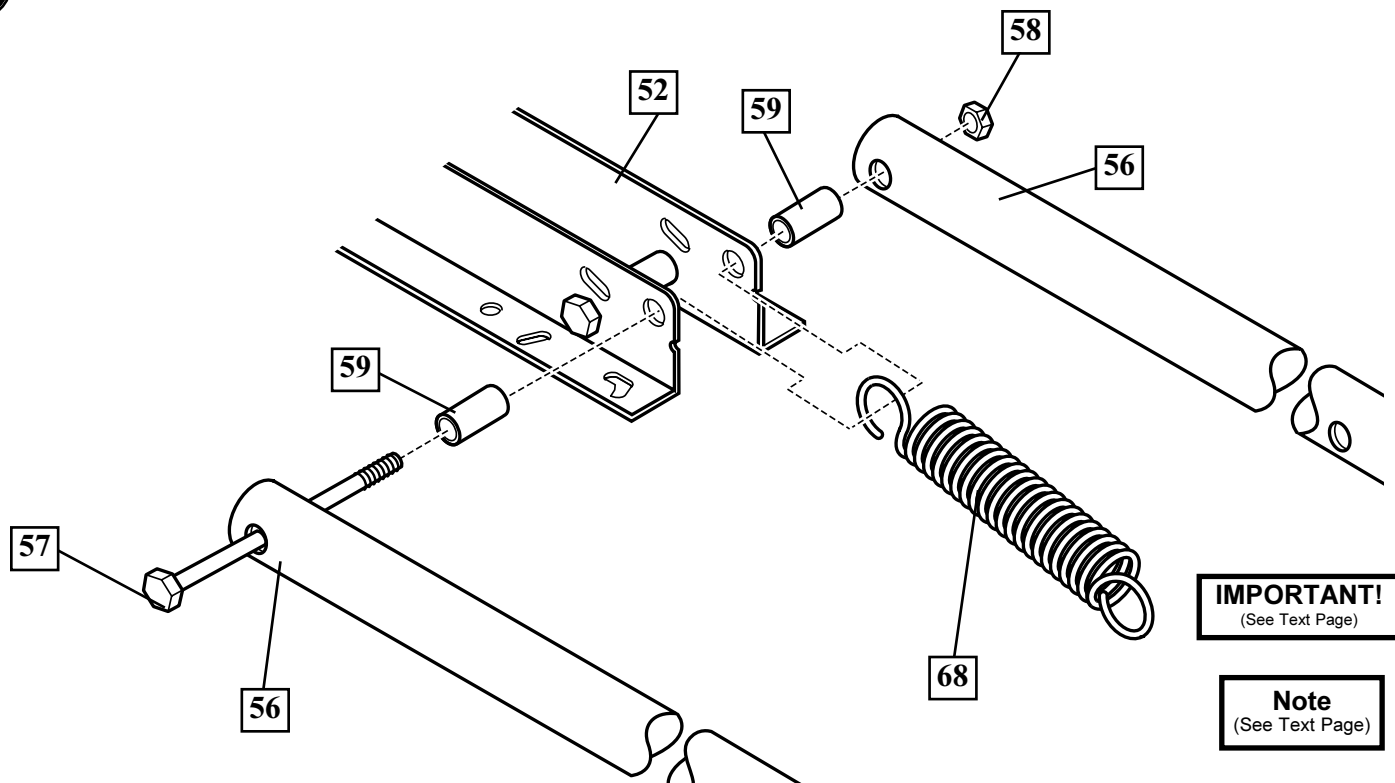
Fig. B



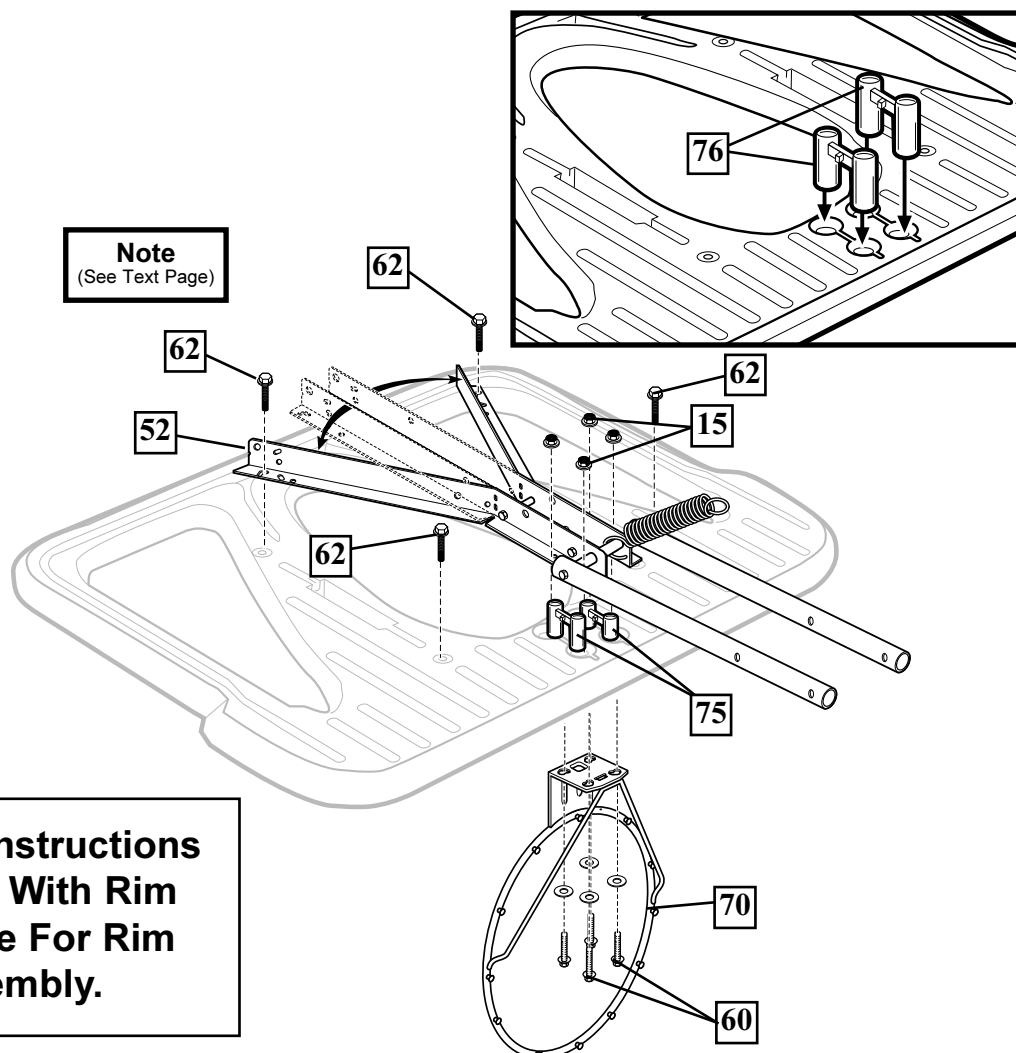
23.



24.

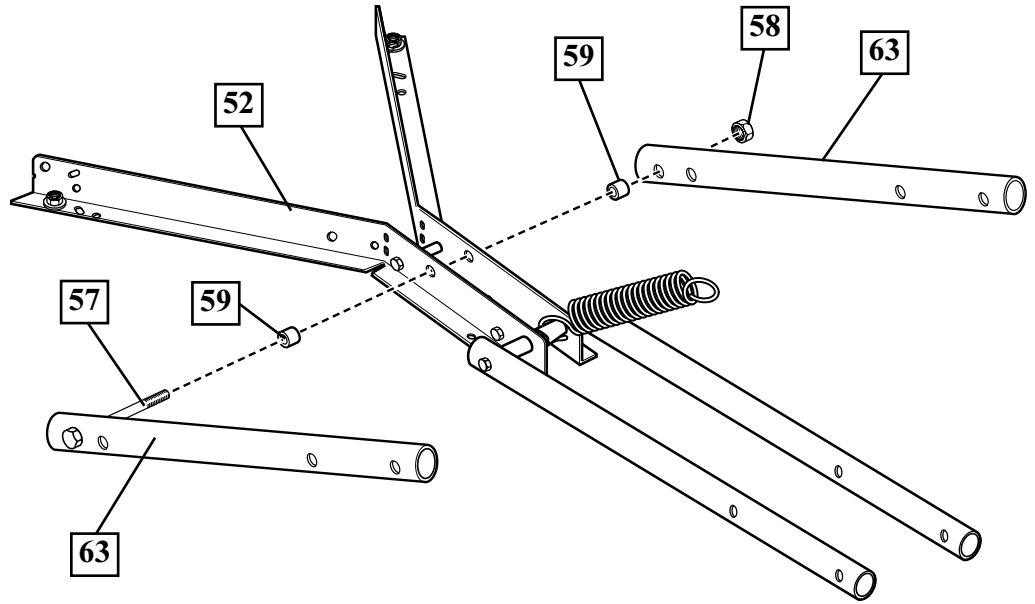


25.



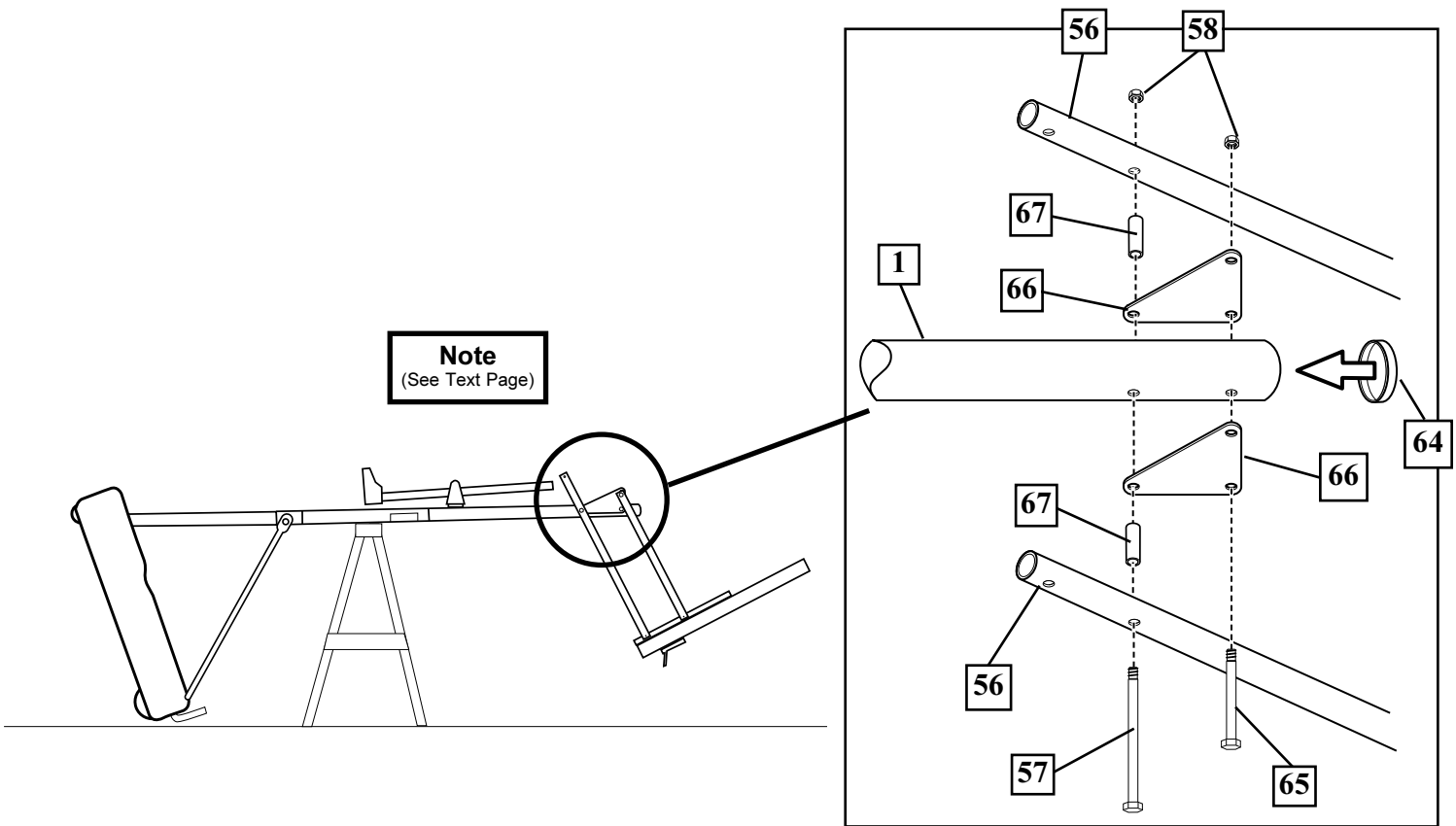
26.

Note
(See Text Page)

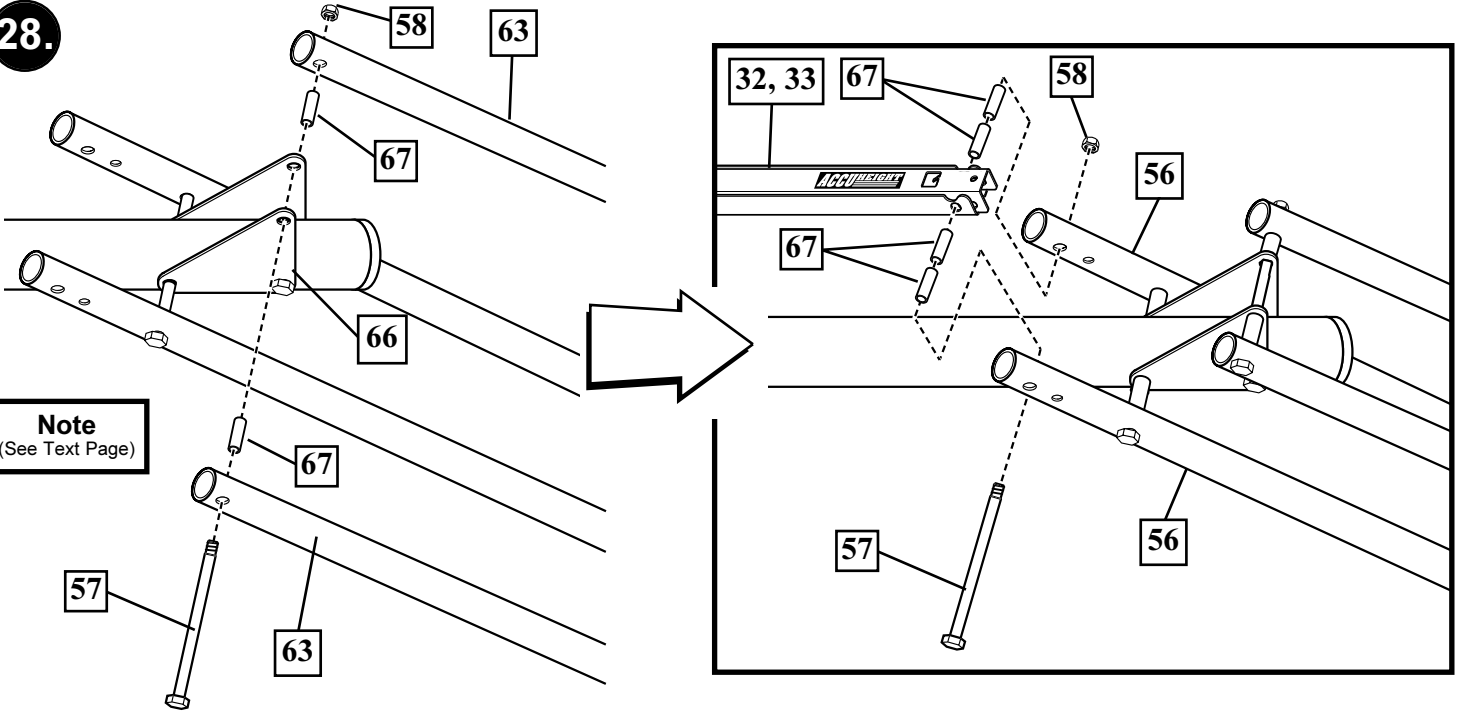


27.

Note
(See Text Page)

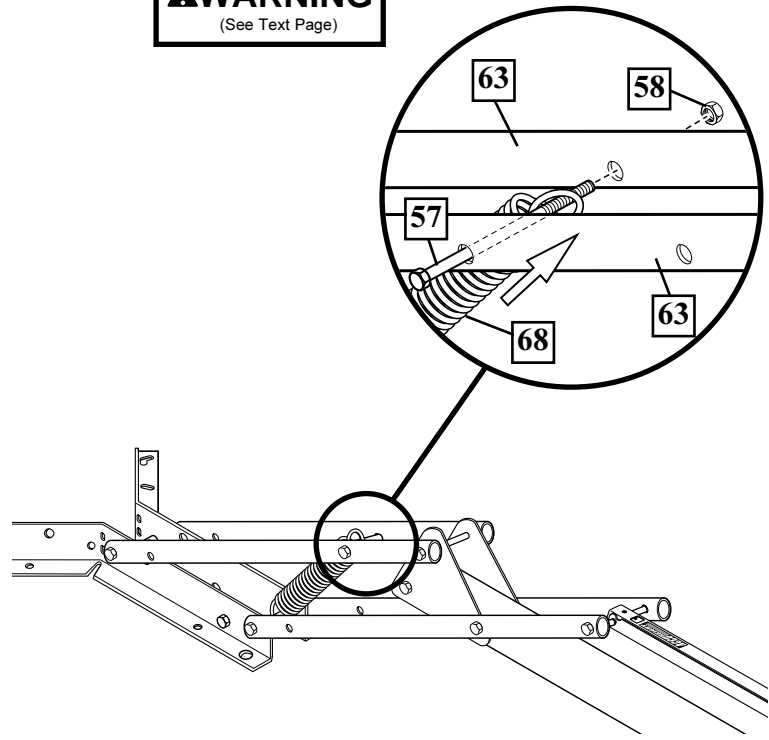


28.



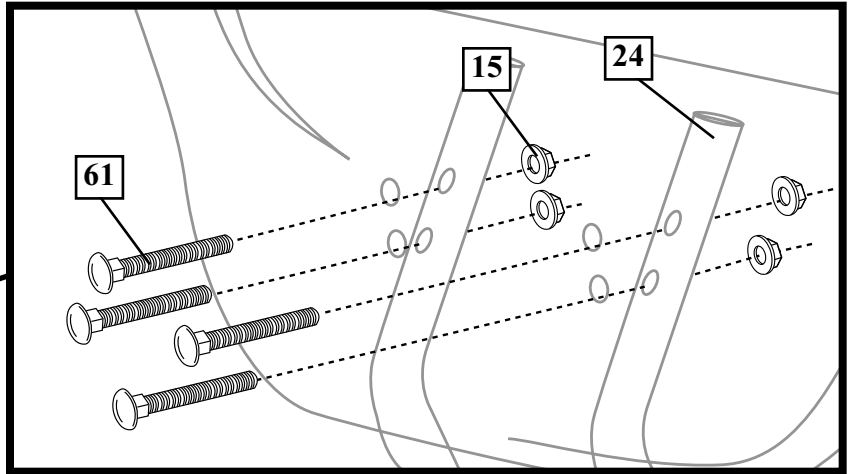
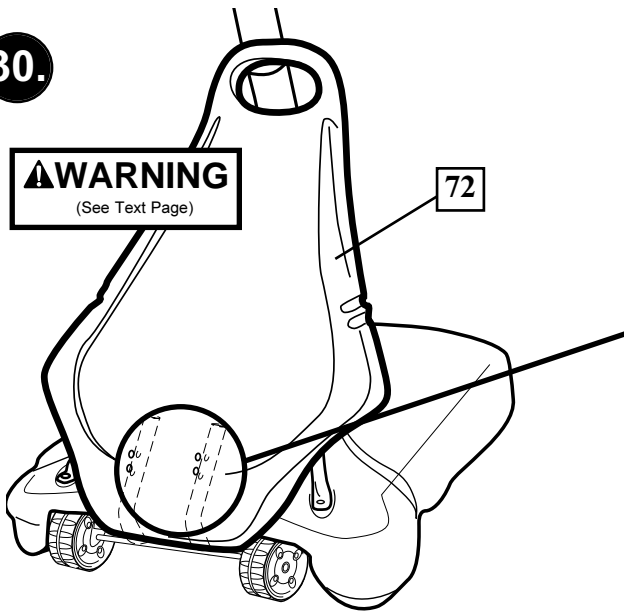
29.

⚠WARNING
(See Text Page)

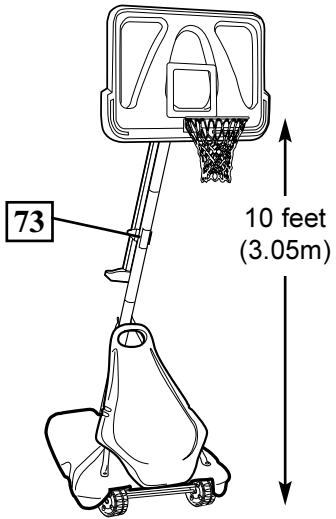


30.

WARNING
(See Text Page)



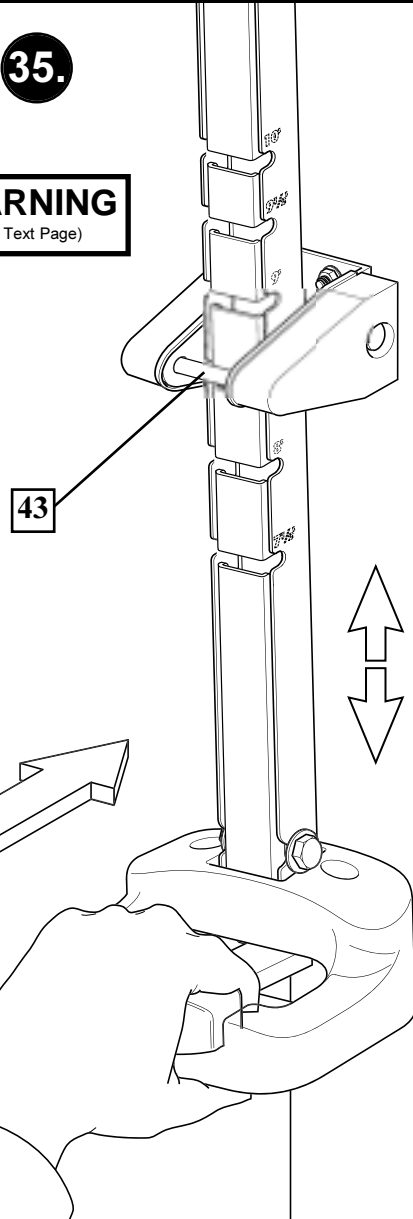
31.



ELEVATOR HEIGHT ADJUSTMENT

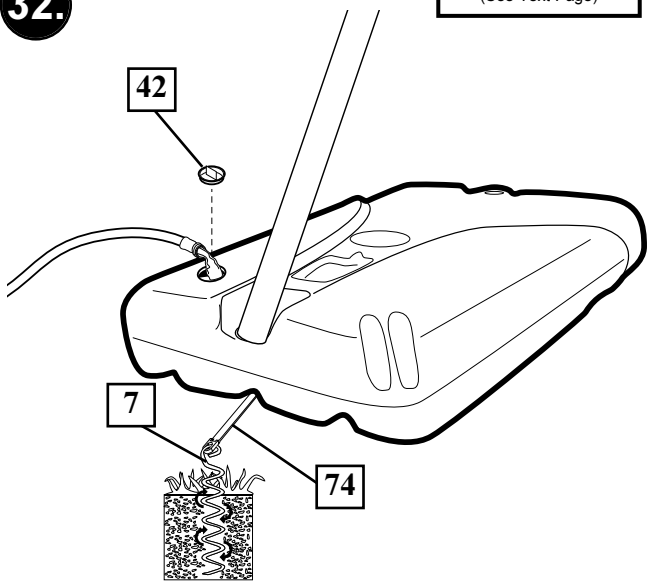
33. 34. 35.

WARNING
(See Text Page)



32.

IMPORTANT!
(See Text Page)



36

Install net clips. Installez les pinces du filet. Netzhaltklammern anbringen. Instale los sujetadores de la red.

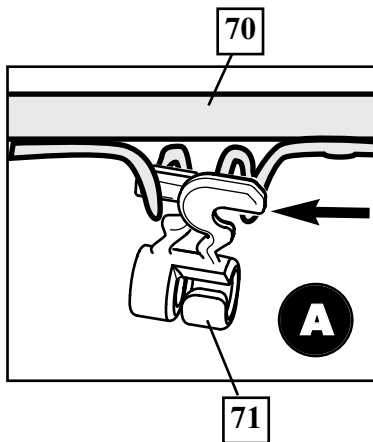
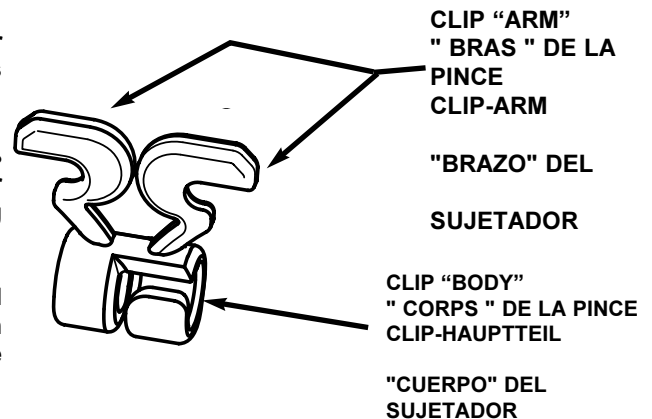


WARNING: Use of this product without proper installation of net clips, or when all net clips are not present could result in bodily harm. Be sure to follow directions carefully.

AVERTISSEMENT : L'utilisation de ce produit sans installer correctement ou toutes les pinces du filet risque de causer des blessures. Veuillez à suivre scrupuleusement les instructions.

WARNUNG: Ein Gebrauch dieses Produkts ohne ordnungsgemäß angebrachte Netzhaltklammern bzw. ohne den Gebrauch der Netzhaltklammern kann Verletzungen nach sich ziehen. Die Anleitung genau befolgen.

ADVERTENCIA: Si este producto se usa con los sujetadores de la red incorrectamente instalados, o si no están todos presentes, se pueden ocasionar lesiones corporales. Asegúrese de seguir cuidadosamente las instrucciones.

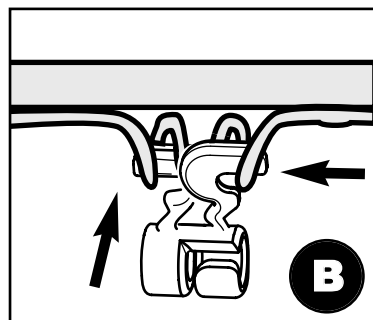


Insert one "arm" of clip (70) into ram (71) as shown. Twist "body" of clip slightly so that second "arm" slides over the top of the first "arm" as shown. Push in direction indicated by arrows.

Insérez un " bras " de la pince (70) dans l'éperon (71), comme illustré. Tournez légèrement le corps de la pince de sorte que le second bras glisse par-dessus le premier, comme illustré.

Einen Arm des Clips (70) wie gezeigt in die Spirale (71) einsetzen. Den Hauptteil des Clips etwas drehen, sodass der zweite Arm wie gezeigt oben über den ersten Arm geschoben werden kann.

Introduzca un "brazo" del sujetador (70) en el accionador (71) como se muestra. Tuerza ligeramente el "cuerpo" del sujetador de manera que el segundo "brazo" se deslice sobre el primer "brazo" como se muestra.

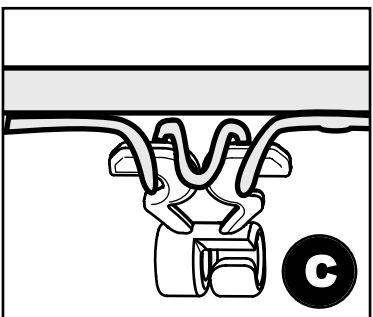


Push second "arm" back and into ram as shown.

Poussez dans le sens des flèches.

In die durch die Pfeile angezeigte Richtung schieben.

Empuje hacia la dirección que indican las flechas.



Twist "body" of clip slightly again to spread "arms" of clip. Clip "arms" must be flat and touching edge to edge as shown, not overlapping.

Tournez légèrement le corps de la pince une nouvelle fois pour en étaler les bras.

Den Hauptteil des Clips noch einmal leicht drehen, um die Arme des Clips zu spreizen.

Otra vez tuerza ligeramente el "cuerpo" del sujetador para abrir los "brazos" del sujetador.

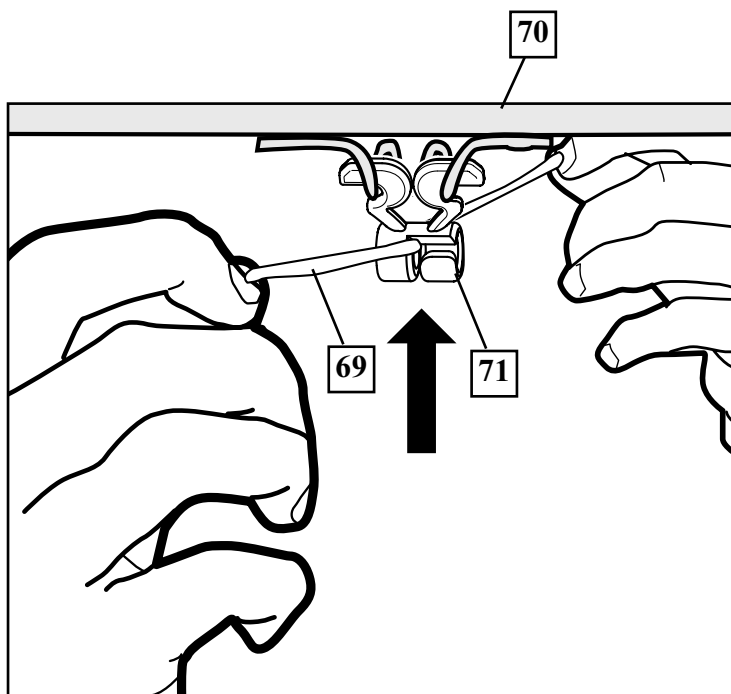
37.

Install net.

Installez le filet.

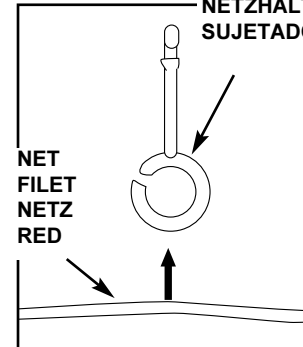
Das Netz anbringen

Instale la red.



SIDE VIEW
 VUE DE CÔTÉ
 SEITENANSICHT
 VISTA LATERAL

NETCLIP
 PINCE DE FILET
 NETZHALTEKLAMMER
 SUJETADOR DE LA RED

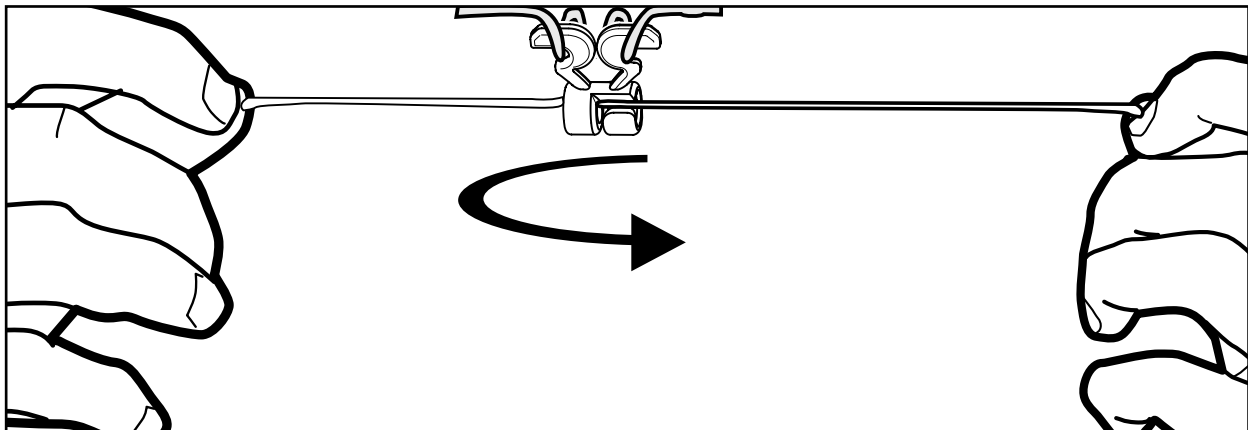


Insert net into bottom of clip as shown.

Insérez le filet dans la base de la pince, comme illustré.

Das Netz wie gezeigt unten in den Clip stecken.

Introduzca la red en la parte inferior del sujetador como se muestra.



Twist net until it snaps into position.
Net must be centered through clip.

Tournez le filet jusqu'à ce qu'il s'enclenche en position.

Das Netz drehen, bis es einschnappt.

Tuerza la red hasta que quede conectada en su posición.

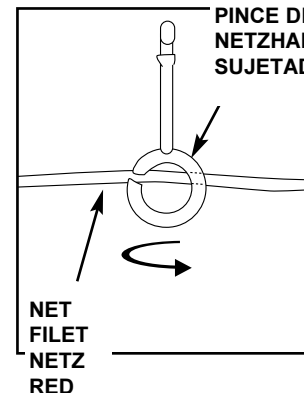
Le filet doit être centré dans la pince.

Das Netz muss im Clip zentriert werden.

La red debe quedar centrada a través del sujetador.

SIDE VIEW
 VUE DE CÔTÉ
 SEITENANSICHT
 VISTA LATERAL

NETCLIP
 PINCE DE FILET
 NETZHALTEKLAMMER
 SUJETADOR DE LA RED



Aux Etats-Unis et au Canada uniquement: IMPORTANT!

En cas de questions... pas besoin de retourner au magasin! Nous vous remercions d'avoir fait l'achat d'un de nos articles. Nous sommes certains qu'il vous apportera satisfaction. Malgré l'attention que nous portons aux détails, il se peut qu'un problème surgisse de temps à autre. En cas de questions ou pour rectifier tout problème, veuillez contacter notre service après-vente au numéro vert ci-dessous. Pour faciliter le service après-vente, veuillez avoir le numéro de modèle (se trouvant sur la boîte) et la notice de mode d'emploi sous la main lorsque vous nous contactez. Ecrire le numéro du modèle dans la case prévue à cet effet ci-dessus.

⚠️ CONSIGNES DE SÉCURITÉ ⚠️

LE NON RESPECT DE CES CONSIGNES DE SÉCURITÉ RISQUE DE PROVOQUER DE GRAVES BLESSURES ET DES DÉGÂTS MATÉRIELS, ET ANNULE EN OUTRE LA GARANTIE.

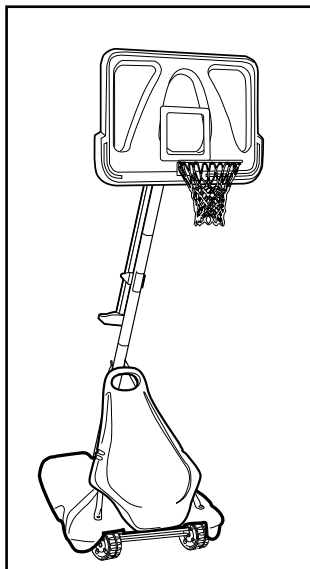
Le propriétaire du matériel doit veiller à ce que les joueurs connaissent et respectent les règles de sécurité concernant ce matériel.

Pour garantir votre sécurité, n'essayez pas de monter ce système sans suivre scrupuleusement les instructions. Vérifiez la boîte dans son intégralité, ainsi que l'intérieur des emballages pour localiser toutes les pièces. Avant de commencer le montage, lisez les instructions et identifiez les pièces à l'aide de l'identificateur du matériel et de la liste des pièces se trouvant dans ce document. Un montage complet et correct, ainsi qu'une utilisation adéquate, sous supervision, sont indispensables à un fonctionnement correct et permettent de diminuer les risques d'accident ou de blessures. Des blessures graves sont à prévoir si ce système n'est pas correctement installé, entretenu ou utilisé.

- Si vous utilisez une échelle en cours de montage, soyez extrêmement prudent.
- Pour cette opération, il est recommandé de s'y prendre à deux (2).
- Vérifiez régulièrement le socle pour vous assurer qu'il ne fuit pas. Les petites fuites risquent d'entraîner le basculement intempestif du système.
- Emboîtez correctement les sections de poteau (le cas échéant). Elles risquent sinon de se déboîter en cours de jeu et/ou de transport du système.
- Le climat, la corrosion ou une mauvaise utilisation risquent de provoquer la panne du système.
- La hauteur minimale d'utilisation est de 1,98 m (6'6") jusqu'à la base du panneau.
- L'équipement est prévu pour une utilisation ludique à domicile seulement et NON PAS pour un jeu extrêmement compétitif.
- Lisez et comprenez l'étiquette d'avertissement fixée au poteau. L'étiquette se trouve à la page 6.
- La durée de vie de votre poteau de basket-ball dépend de bien des facteurs. Le climat, la position du poteau, son emplacement, son exposition à des agents corrosifs tels que des pesticides, des herbicides ou des sels sont tous importants.
- Pour toute assistance technique, contactez Huffy Sports.
- La supervision d'un adulte est recommandée pour le réglage de la hauteur.

La plupart des blessures sont provoquées par une mauvaise utilisation et/ou le non respect des instructions. Faire preuve de prudence lors de l'utilisation de ce matériel.

Pour des informations complémentaires sur le montage, la position, l'utilisation et l'entretien corrects, rendez-vous au site Web de l'American Basketball Council au <http://www.smarthoops.com>.



OUTILS NECESSAIRES A L'INSTALLATION:

- Deux personnes
- Planche (rebut)
- Mètre
- Echelle de 2,4 m (8 pieds)
- Ruban adhésif
- Tuyau d'arrosage ou sable 163 kg (360lbs.)
- Marteau
- Clés : (deux) 1/2" (une) 9/16" ou petite ou grande clé réglable (à douille profonde 9/16" avec extension recommandée)
- Chevalet de scieur ou table de soutien

AVIS AUX PERSONNES CHARGÉES DU MONTAGE

TOUS les systèmes de basket-ball Huffy Sports, y compris ceux utilisés en EXPOSITION, DOIVENT être assemblés et lestés de sable ou d'eau, selon les instructions. Suivez ces instructions sous peine d'encourir des BLESSURES GRAVES. Il est INACCEPTABLE de composer un système de lestage de fortune.

DEPLACEMENT DU SYSTEME

1. Tout en tenant le poteau, tournez le système de basket-ball vers l'avant jusqu'à ce que les roues s'enclenchent sur le sol.
2. Amenez le système à l'endroit désiré.
3. Redressez délicatement le système de basket-ball en tournant.
4. Rattachez la fixation au sol et vérifiez la stabilité du système.

TUFF STUFF® et les marques associées de Mattel, Inc. sont utilisées avec sa permission. Les produits Huffy ne sont nullement recommandés, avalisés ni agréés par Mattel, Inc. ou ses filiales.

⚠️ AVERTISSEMENT ⚠️

SUIVEZ CES AVERTISSEMENTS SOUS PEINE DE PROVOQUER DES BLESSURES GRAVES ET/OU DES DÉGÂTS MATÉRIELS.

Le propriétaire du système doit s'assurer que tous les joueurs connaissent et suivent ces consignes d'utilisation sûre du système.

- NE VOUS SUSPENDEZ PAS sur le cerceau ou sur toute autre partie du système, y compris le panneau, les supports ou le filet.
- Durant le jeu, en particulier lorsque vous faites des smash, gardez le visage à l'écart du panneau, du cerceau et du filet. Des blessures graves sont possibles si les dents ou le visage venaient à entrer en contact avec le panneau, le cerceau ou le filet.
- Ne glissez et ne montez pas sur le socle et/ou le poteau, ne les secouez pas et ne jouez pas dessus.
- Une fois le montage terminé, remplissez complètement le système d'eau ou de sable et fixez-le au sol à l'aide du piquet. Ne laissez jamais le système à la verticale sans avoir lesté le socle, car il risquerait de se renverser et de causer des blessures.
- Lorsque vous réglez la hauteur ou que vous déplacez le système, gardez les mains et les doigts à l'écart des pièces en mouvement.
- Ne laissez pas des enfants déplacer ou régler le système.
- Avant le jeu, retirez vos bijoux (bagues, montres, colliers, etc.). Ces objets risquent de se prendre dans le filet.
- La surface sous le socle doit être lisse et sans gravier ou autres objets pointus. Les perforations causeront des fuites et risquent de faire basculer le système.
- Maintenez les substances organiques à l'écart du socle du poteau. L'herbe, les déchets, etc. risquent de causer la corrosion et/ou la détérioration du système.
- Vérifiez l'état du système (signes de corrosion comme rouille, piqûres, écaillage) et repeignez avec de la peinture émail pour extérieur. Si la rouille a pénétré en tout point de l'acier, remplacez immédiatement le poteau.
- Vérifiez le système avant chaque utilisation (lest, visserie mal serrée, usure excessive et signes de corrosion) et réparez avant utilisation.
- Vérifiez la stabilité du système avant chaque utilisation.
- N'utilisez pas le système les jours de vent fort et/ou de tempête ; il risque de se renverser. Placez le système en position de stockage et/ou dans un endroit protégé du vent et à l'écart de biens personnels et/ou de fils suspendus.
- Ne jouez jamais sur du matériel abîmé.
- Pour les instructions d'installation et d'entretien, reportez-vous au guide fourni.
- Lorsque vous déplacez le système, soyez prudent pour empêcher le mécanisme de se déséquilibrer.
- Maintenez le poteau bouché à tout moment.
- Ne laissez pas geler l'eau du socle. Lorsqu'il fait très froid, ajoutez de l'antigel ou du sable, ou videz complètement le socle et rangez-le. (N'utilisez pas de sel.)
- Soyez extrêmement prudent si vous placez le système sur une déclivité. Le système risque de se renverser plus facilement.

INSTRUCTIONS

IMPORTANT ! NOTEZ À LA PAGE 1 DE CE MANUEL LE NUMÉRO DE MODÈLE MENTIONNÉ SUR LE CARTON.

AVANT DE COMMENCER !

Pour garantir l'utilisation optimale du panneau, les composants du système élévateur et la visserie doivent être bien ajustés (serrés). A titre d'essai, insérez les gros boulons dans les gros trous des tubes du système élévateur, des supports du panneau et des plaques triangulaires. Basculez-les avec précaution en imprimant un mouvement circulaire pour éliminer l'excédent de peinture, si nécessaire.

1. Placez des repères sur les sections de poteau avec du ruban adhésif, comme illustré.
2. **IMPORTANT !** Entrelacez les sections de poteau supérieure (1) et centrale (2), comme illustré, jusqu'à ce qu'elles ne bougent plus vers le repère marqué avec le ruban adhésif. Redressez l'ensemble. **REMARQUE :** Les sections de poteau doivent se chevaucher de 9 cm minimum.
3. **IMPORTANT !** Les trous des sections de poteau supérieure (1) et inférieure (3) **DOIVENT** être alignés les uns sur les autres pour permettre le positionnement correct du système élévateur vers la surface de jeu. Ajoutez la section de poteau inférieure (3) au montage, comme indiqué, et entrelacez-les jusqu'à ce que l'ensemble soit bien emboîté. **REMARQUE :** Les sections de poteau doivent se chevaucher de 9 cm minimum.
4. Installez les roues (17) sur l'axe (28) et le support de roues (25) avec les capuchons (29), comme illustré.
5. Placez le socle comme illustré. Fixez l'ensemble du support de roues avec le disque (16) et l'écrou (15), comme illustré.
6. Enfilez la tige (4) dans les trous de la section de poteau inférieure (3) et dans le boulon à œil (5). Insérez le poteau dans le réservoir (6) et à travers le trou central de l'ensemble des roues, comme illustré. Fixez la base du poteau (6) au réservoir avec les rondelles (11), l'écrou (8) et la sangle de fixation (74), comme illustré. **REMARQUE :** Il est recommandé de s'y prendre à deux pour cette procédure.
7. Fixez les entretoises du socle (9) au poteau à l'aide du boulon (10), des rondelles (11) et de l'écrou (12), comme illustré. Tournez l'extrémité non fixée des contrefiches du socle (9), comme illustré.
8. Fixez les entretoises du socle (9) au poteau à l'aide du boulon (14), des rondelles (11) et de l'écrou (15).
9. Installez le support pivotant supérieur (18) sur l'avant du socle avec le boulon (19), la rondelle (20) et l'écrou (8), comme illustré.
10. Insérez le boulon (21) à travers le support pivotant inférieur (22) comme illustré ; le boulon (21) sera fixé à l'étape 12. Posez délicatement le socle sur le côté. Installez le support pivotant inférieur (22) avec le boulon (23), les rondelles (20) et le contre-écrou (8), comme illustré.
11. Fixez les deux tubes articulés (24) sur le second support de roues (25) à l'aide des boulons ordinaires (26) et des écrous à bride (15).
12. Installez les roues (27) sur l'axe (28) et le support de roues (25) avec les capuchons (29), comme illustré.
13. Placez le socle comme illustré. Fixez l'ensemble du support de roues avec le disque (30), la rondelle (20) et l'écrou (8), comme illustré. **REMARQUE :** Il est recommandé de s'y prendre à deux pour cette procédure.
14. Remettez en place l'ensemble comme illustré, en procédant avec précaution. **IMPORTANT !** Il est recommandé de s'y prendre à deux pour cette procédure.
15. Enclenchez l'écrou tinnerman (31) sur le canal interne (32). Placez le canal interne dans le canal externe (33), comme illustré.
16. Glissez la poignée (34) en position comme illustré et fixez-la par des boulons (35), rondelles (11) et écrous (15). Serrez à fond.
17. Installez le boulon (36), les rondelles (11) et l'écrou (37) comme illustré. Serrez jusqu'à ce que les rondelles (11) ne soient plus lâches. **REMARQUE :** Ne serrez pas trop. Montez la détente (38) sur la poignée (34, 32, 31), comme illustré, et fixez à l'aide du boulon (39) et de la rondelle (11). Serrez à fond.
18. **AVERTISSEMENT : PROTEGEZ-VOUS LES YEUX LORSQUE VOUS INSTALLEZ DES RESSORTS.**
Installez le ressort de retour de détente (40) sur la poignée (32 et 33), comme illustré.
19. Attachez l'étiquette de réglage de hauteur (41) sur le canal externe (32).
20. Attachez le ressort (44) aux goupilles (43) et installez les goupilles (43) au support du poteau (45). Attachez l'autre ressort (44) du côté opposé. **REMARQUE :** Agrandissez les œillets du ressort avec une pince si le ressort ne tient pas sur les goupilles.

AVERTISSEMENT : PROTEGEZ-VOUS LES YEUX LORSQUE VOUS INSTALLEZ DES RESSORTS.

21. Installez le montant de poteau et le support de renforcement (47) avec les boulons ordinaires (46) au poteau, comme illustré. Serrez à fond les écrous à bride (15).
22. Rétractez la goupille coulissante (43) comme illustré à la figure A pour insérer le système réglable à travers le montant de poteau. Ensuite, attachez les couvre-ressorts (48 & 49) sur le support de poteau (45) avec le boulon (50) et l'écrou (15), comme illustré à la figure B.
23. Installez les entretoises (51) sur les supports du panneau (52) à l'aide des boulons (53 et 54) et des contre-écrous (55 et 37), comme illustré.
24. Montez les tubes du système d'élévation (56), comme illustré. **REMARQUE :** Serrez le boulon (57) dans le contre-écrou (58) jusqu'à ce qu'il se trouve au même niveau que le bord extérieur du contre-écrou. **IMPORTANT !** Toutes les pièces doivent être installées pour que ce mécanisme fonctionne sans risque et correctement. **REMARQUE :** Testez l'ajustement des boulons dans les trous des supports (52) et basculez-les en tournant doucement

pour retirer la peinture des trous si nécessaire.

25. Insérez les entretoises de panneau (76) dans le panneau, comme illustré. Courbez les supports (52) pour les aligner sur les trous du panneau. Insérez les boulons (62) dans les trous, comme illustré. Serrez à fond. **REMARQUE :** Les écrous de fixation du cerceau (15) et les boulons (60) sont fournis avec la visserie du cerceau.
26. Montez les tubes du système élévateur (63) sur les supports du panneau (52), comme illustré. **REMARQUE :** Serrez le boulon (57) dans le contre-écrou (58) jusqu'à ce qu'il se trouve au même niveau que le bord extérieur du contre-écrou.
27. Appuyez le poteau sur le banc de sciage. Attachez le panneau à la section de poteau supérieure (1), comme illustré. Installez le capuchon du poteau (64). **REMARQUE :** Il est recommandé de s'y prendre à deux pour cette procédure. Soyez prudent, car le système élévateur est lourd.
28. Installez les tubes supérieurs du système élévateur (63) sur les plaques triangulaires (66), comme illustré. Ensuite, installez la poignée (32, 33) sur les tubes inférieurs du système élévateur (56) en utilisant le boulon (57), les entretoises (67) et l'écrou (58), comme illustré. **REMARQUE :** Serrez le boulon (57) dans le contre-écrou (58) jusqu'à ce qu'il se trouve au même niveau que le bord extérieur du contre-écrou. **REMARQUE :** Avant de passer à l'étape suivante, réglez le système réglable à 3,05 m.
29. **AVERTISSEMENT : PROTEGEZ-VOUS LES YEUX LORSQUE VOUS INSTALLEZ DES RESSORTS.**
Enfilez le boulon (57) dans le tube supérieur gauche du système élévateur (63), puis tendez le ressort (68) sur le boulon (57). Enfilez le boulon (57) dans le tube supérieur droit du système élévateur (63), puis fixez avec l'écrou (58).
30. Attachez le capot avant (72) sur les tubes articulés (24) avec le boulon ordinaire (61) et les écrous à bride (15), comme illustré. **AVERTISSEMENT : NE LAISSEZ PAS L'ENSEMBLE SANS SURVEILLANCE LORSQU'IL EST VIDE, CAR IL RISQUE DE BASCULER.**
31. Collez l'étiquette d'échelle de hauteur et de déplacement (73) sur l'avant du poteau, comme illustré.
32. Faites rouler l'ensemble jusqu'à la zone de jeu prévue. Fixez l'ensemble au sol à l'aide de la sangle (74) et du piquet de fixation au sol (7). Remplissez de 132 litres d'eau. **IMPORTANT !** Ajoutez 7,6 litres (2 gallons) d'antigel non toxique en prévision de températures en dessous de 0. Ajoutez 7,6 litres d'antigel non toxique en prévision de températures en dessous de 0. Mettez le bouchon (42) en place.
33. **AVERTISSEMENT : Ne confiez pas l'ajustement de la hauteur à des enfants.** Saisissez la poignée et appuyez sur le levier.
34. Appuyez vers le poteau tout en tenant le levier. Montez ou abaissez à la hauteur de votre choix tout en appuyant sur la poignée vers l'avant.
35. Relâchez la poignée en vous assurant que la goupille horizontale (43) est bloquée dans la fente.

AVERTISSEMENT : L'UTILISATION DE CE PRODUIT SANS L'INSTALLATION CORRECTE DES PINCES DU FILET OU EN L'ABSENCE DE CERTAINES PINCES EXPOSE LES JOUEURS À DES BLESSURES. VEILLEZ À SUIVRE SCRUPULEUSEMENT CES INSTRUCTIONS.

36. Installez les pinces de filet comme illustré. (Voir l'illustration)
37. Installez le filet comme illustré. (Voir l'illustration)

LISTE DES PIÈCES (Voir le numéro de légende sur les schémas)

Légende	Quantité	No de réf.	Description
1	1	914822	Section de poteau supérieure, noire
2	1	904811	Section de poteau centrale, noire
3	1	903407	Section de poteau inférieure, noire
4	1	200188	Tige, zinc, 3/8 x 5-1/4 (long.)
5	1	202822	Boulon à oeillet, 3/8-16 x 3-3/4 (long.)
6	1	200117	Réservoir
7	1	203124	Piquet de fixation au sol
8	4	203063	Contre-écrou, insert en nylon, 3/8-16
9	2	906410	Entretoises, socle
10	1	202662	Boulon, 5/16-18 x 4-1/2 (long.)
11	11	203218	Rondelle plate, 5/16 x 7/8 D.E.
12	1	203220	Contre-écrou, insert en nylon, 5/16-18
13	1	200516	Vinyle, couvre-boulon, 5/16
14	2	203798	Boulon, bride à 6 pans, 5/16-18 x 1-1/2 (long.)
15	22*	203100	Contre-écrou, Whiz, 5/16-18
16	1	203223	Boulon ordinaire 5/16-18 x 1 (long.)
17	2	226401	Roue, 10 cm de diamètre
18	1	200123	Support pivotant, supérieur
19	1	200512	Boulon, six pans, 3/8-16 x 3-1/2 (long.)
20	5*	203232	Rondelle, 3/8 (D.I.) x 3/4 (D.E.)
21	1	206252	Boulon, tête à six pans, 3/8-16 x 1 (long.)
22	1	206948	Support pivotant, inférieur
23	1	203330	Boulon, tête à six pans, 3/8-16 x 4-1/2 (long.)
24	2	200122	Tubes articulés
25	2	900223	Support de roues
26	4	203103	Boulon ordinaire, 5/16-18 x 2 long.
27	2	226402	Roue, 15,2 cm de diamètre
28	2	206940	Axe, D.E. 0,461 x 21 (long.)
29	4	206938	Capuchons
30	1	206956	Disque, plastique, 12,7 cm (D.E.) x 1,5 mm (épaisseur)
31	1	204839	Écrou Tinnerman
32	1	904816	Canal interne
33	1	904815	Canal externe
34	1	204813	Poignée, réglage de la hauteur
35	2	203217	Boulon ordinaire, 5/16-18 x 1-1/2 (long.)
36	1	203679	Boulon, tête à six pans, 3/8-16 x 2 (long.)
37	2	201124	Contre-écrou, six pans, 3/8-16
38	1	204814	Détente, réglage de la hauteur
39	1	203589	Boulon, tête à six pans, 5/16-18 x 1-1/4 (long.)
40	1	201125	Ressort, cliquet
41	1	211257	Étiquette, réglage de hauteur
42	1	206219	Capuchon, réservoir, noir
43	2	204840	Goupille, 3/8 x 3 (long.)
44	2	204841	Ressort, argent
45	1	204819	Support de poteau
46	2	203053	Boulon ordinaire, 5/16-18 x 4 long.
47	1	206990	Support de renforcement
48	1	204811	Couvre-ressort, côté gauche
49	1	204812	Couvre-ressort, côté droit
50	1	206263	Boulon ordinaire, 5/16-18 x 3 long.
51	2	201129	Entretoise, métallique, D.I. 12,7 mm x D.E. 10 mm x 45,7 mm (long.)
52	2	900846	Support de panneau
53	1	240017	Boulon, tête à six pans, 1/4-20 x 2-1/4 (long.)
54	1	206360	Boulon, tête à six pans, 3/8-16 x 2.625 (long.)
55	1	203493	Contre-écrou, six pans, 1/4-20
56	2	904821	Tube du système élévateur, inférieur (long)
57	6	204847	Boulon, tête à six pans, 1/2-13 x 9-1/2 (long.)
58	7	206340	Contre-écrou, 1/2-13
59	4	201682	Entretoise, noire D.I. 0,56 x D.E. 0,683 x 1,88 (long.)
60	4	201611	Boulon, bride, six pans, 5/16-18 x 3 (long.)
61	4	265601	Boulon ordinaire, 5/16-14 x 3-1/2 (long.)
62	4*	205528	Boulon, bride, six pans, 5/16-18 x 1 (long.)
63	2	904807	Tube du système élévateur, supérieur (court)
64	1	207103	Capuchon de poteau
65	1	201139	Boulon, tête à six pans, 1/2-13 x 4-1/2 (long.)
66	2	201654	Plaque triangulaire
67	8	202862	Entretoise, plastique, 1/2 D.I., 1-1/4 (long.)
68	1	204837	Ressort
69	1		Filet
70	1		Cerceau
71	12	201219	Pince, fixation pour filet
72	1	200118	Couvercle avant
73	1	211249	Étiquette, échelle de hauteur et déplacement
74	1	201568	l'ancre sangle
75	1	201568	Piquet de fixation au sol
76	2	200533	Entretoise de panneau

*Des pièces supplémentaires sont peut-être fournies avec ce modèle.

!Usted es importante para Huffy!

Agradecemos que haya comprado uno de nuestros muchos productos de calidad. Estamos seguros que quedará muy satisfecho con su selección. Aunque hemos tenido un gran cuidado y puesto un gran esfuerzo en la fabricación de cada uno de nuestros productos, pueden ocurrir problemas. Para asegurar la resolución rápida y adecuada de cualquier problema, o para recibir respuesta a cualquier pregunta, por favor póngase en contacto con el Centro de Servicio al Cliente. **El servicio será más rápido si proporciona su número de modelo (se encuentra en la caja).**

Por favor escriba su número de modelo en el espacio que se encuentra arriba.

! INSTRUCCIONES DE SEGURIDAD !

SI NO SE SIGUEN ESTAS INSTRUCCIONES DE SEGURIDAD SE PUEDE OCASIONAR UNA LESIÓN GRAVE, DAÑOS A LA PROPIEDAD Y ANULACIÓN DE LA GARANTÍA.

El propietario debe asegurarse que todos los jugadores sepan y obedezcan estas reglas para la operación segura de la unidad.

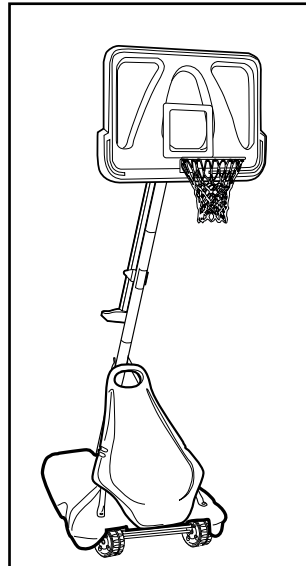
Para asegurar su seguridad, no intente montar este sistema sin seguir las instrucciones cuidadosamente. Revise toda la caja y el interior del material de embalaje para ver si hay partes. Antes de comenzar el montaje, lea las instrucciones e identifique las partes usando el identificador de la tornillería y la lista de partes que vienen en este documento. El montaje completo y el uso y la supervisión adecuados son esenciales para la operación correcta y para reducir el riesgo de sufrir accidentes o lesiones. Existe una alta probabilidad de sufrir lesiones graves si este sistema no se instala, mantiene y opera adecuadamente.

- Tenga mucho cuidado si utiliza una escalera durante el montaje.
- Se recomienda que dos (2) personas realicen esta operación.
- Revise regularmente la base para detectar si tiene fugas. Las fugas lentas podrían causar que el sistema se ledeara inesperadamente.
- Ajuste adecuadamente las secciones del poste (si es aplicable). Si no lo hace, las secciones del poste se podrían separar durante el juego y/o el transporte del sistema.
- El clima, la corrosión y el uso inadecuado podrían ocasionar la falla del sistema.
- La altura mínima de operación es de 1.98 m (6'6") hasta la parte inferior del respaldo.
- Este equipo está diseñado solamente para uso recreativo en el hogar, NO para juego competitivo excesivo.
- Lea y entienda la etiqueta de advertencia adherida en el poste. La etiqueta se muestra en la página 8.
- La vida útil de su poste de baloncesto depende de muchas condiciones. El clima, la colocación del poste, la ubicación del poste y la exposición a sustancias corrosivas tales como pesticidas, herbicidas o sales son todas condiciones importantes.
- Si requiere asistencia técnica, comuníquese con Huffy Sports.
- Se recomienda la supervisión de un adulto cuando se ajuste la altura.

La mayoría de las lesiones son ocasionadas por el mal uso y/o por no seguir las instrucciones. Tenga cuidado cuando use esta unidad.

Para obtener más información sobre el montaje, ubicación, uso y mantenimiento adecuados visite el sitio en la red de The American Basketball Council en <http://www.smarthoops.com>

Las identificaciones de la NBA y de los equipos individuales miembros de la NBA que se reproducen en este producto, son marcas comerciales y diseños protegidos por derechos de autor y/u otras formas de propiedad intelectual. Estas identificaciones son propiedad exclusiva de NBA Properties, Inc. y de los equipos respectivos miembros de la NBA, y no se pueden usar, total ni parcialmente, sin el consentimiento por escrito de NBA Properties, Inc.

**HERRAMIENTAS NECESARIAS PARA LA INSTALACIÓN:**

- Dos personas
- Tablero de madera (sobrante)
- Cinta para medir
- Escalera de 2.4 m (8 pies)
- Cinta
- Manguera de jardín o 163 kg. (360 libras) de arena
- Martillo
- Llaves: (dos) 1/2" (Una) 9/16", o llaves ajustables grandes y pequeñas (Se recomienda un receptáculo profundo de 9/16" con extensión)
- Caballete o mesa de apoyo

TUFF STUFF® y las marcas comerciales asociadas son propiedad de Mattel, Inc. y se usan con su permiso. Mattel, Inc. y todas sus compañías afiliadas o subsidiarias de ninguna forma patrocinan, aprueban ni autorizan los productos Huffy.

AVISO PARA LAS PERSONAS QUE VAN A MONTAR EL SISTEMA

TODOS los sistemas de baloncesto de Huffy Sports, inclusive los que se usan para **EXHIBICIÓN, SE DEBEN** montar y estabilizar con arena y o agua de acuerdo con las instrucciones. Si no se siguen las instrucciones se podría ocasionar una **LESIÓN SERIA**. **NO** es aceptable improvisar un sistema de compensación de peso.

MOVIMIENTO DEL SISTEMA

1. Mientras sujeta el poste, gire el sistema de baloncesto hacia adelante hasta que las ruedas toquen el piso.
2. Mueva el sistema de baloncesto hasta la ubicación deseada.
3. Con cuidado gire el sistema de baloncesto hasta que quede en posición vertical.
4. Vuelva a colocar el sujetador del sistema al piso y verifique la estabilidad del sistema.

! ADVERTENCIA !

SI NO SE OBSERVAN ESTAS ADVERTENCIAS SE PUEDEN OCASIONAR LESIONES GRAVES Y/O DAÑOS MATERIALES

El propietario debe asegurarse de que todos los jugadores onozcan y sigan estas reglas para la operación segura del sistema.

- NO SE CUELGUE del borde ni de ninguna parte del sistema, inclusive el respaldo, abrazaderas de soporte o red.
- Durante el juego, especialmente cuando se realizan actividades de disparo de pelota, el jugador debe mantener la cara alejada del respaldo, borde y red. Si los dientes o la cara entran en contacto con el respaldo, el borde o la red se podría ocasionar una lesión grave.
- No se deslice, suba, mueva ni juegue sobre la base y/o en el poste.
- Después de terminar el montaje, llene completamente el sistema con agua o arena y fíjelo al piso. Nunca deje el sistema en una posición vertical con la base vacía, ya que se podría ledear y causar lesiones.
- Cuando ajuste la altura o mueva el sistema, mantenga las manos y los dedos alejados de las partes móviles.
- No permita que los niños muevan o ajusten el sistema.
- Durante el juego no use bisutería (anillos, relojes, collares, etc.) Los objetos pueden enredarse en la red.
- La superficie debajo de la base debe estar lisa y no tener grava ni otros objetos filosos. Las perforaciones ocasionan fugas y éstas podrían ocasionar que el sistema se ledee.
- Mantenga el material orgánico alejado de la base del poste. El césped, desperdicios, etc. podrían causar corrosión y/o deterioro.
- Verifique que el sistema del poste no esté corroído (oxidación, corrosión, astillamiento) y si es así vuélvalo a pintar con pintura de esmalte para exteriores. Si la oxidación penetró en el acero en algún punto, reemplace inmediatamente el poste.
- Antes de usar el sistema verifique que tenga el balasto adecuado, que la tornillería no esté floja y que no esté excesivamente desgastado ni tenga signos de corrosión. Si presenta alguna de estas condiciones repárelo antes de usarlo.
- Revise la estabilidad del sistema antes de usarlo.
- No use el sistema durante condiciones de mucho viento y/o condiciones climáticas severas, el sistema se puede ledear. Coloque el sistema en posición de almacenamiento y/o en un área protegida del viento y alejado de la propiedad personal o cables suspendidos.
- Nunca juegue en equipo dañado.
- Consulte el manual de instrucciones para ver la instalación y mantenimiento adecuados.
- Cuando mueva el sistema tenga cuidado de que el mecanismo no se desplace.
- Siempre mantenga tapada la sección superior del poste.
- No permita que el agua del tanque se congele. En condiciones climáticas bajo cero añada un anticongelante no tóxico, arena, o vacíe completamente el tanque y almacene el sistema. (No use sal.)
- Tenga mucho cuidado si coloca el sistema en una superficie con pendiente. El sistema se puede ledear más fácilmente.

INSTRUCCIONES

¡IMPORTANTE! ANOTE EN LA PÁGINA 1 DE ESTE MANUAL DEL PROPIETARIO EL NÚMERO DE MODELO QUE APARECE EN LA CAJA.

¡ANTES DE COMENZAR!

Para asegurar el óptimo rendimiento del sistema del respaldo en el juego, se requiere un ajuste de tolerancia estrecha entre los componentes del elevador y el herraje. Pruebe el ajuste de los pernos grandes en los orificios grandes de los tubos elevadores, soportes del respaldo y placas triangulares. Cuidadosamente muévalos en círculos para eliminar cualquier exceso de pintura, si es necesario.

1. Marque con cinta las secciones del poste, como se muestra.
2. ¡IMPORTANTE! Golpee la sección superior (1) y la sección media (2) del poste entre sí, como se muestra, hasta que ya no se muevan hacia la marca de cinta de referencia. Coloque el conjunto en posición vertical. NOTA: Las secciones del poste se deben traslapar un mínimo de 3-1/2" (9 cm).
3. ¡IMPORTANTE! Los orificios de las secciones superior (1) e inferior (3) del poste DEBEN estar alineados para colocar correctamente el sistema elevador hacia la superficie de juego. Coloque la sección inferior del poste (3) en el conjunto, como se muestra, y golpéela hasta que quede completamente fija. NOTA: Las secciones del poste se deben traslapar un mínimo de 3-1/2" (9 cm).
4. Instale las ruedas (17) en el eje (28) y el soporte de la rueda (25) con las tapas de presión (29) como se muestra.
5. Coloque la base como se muestra. Asegure el conjunto del soporte de la rueda con el perno (16) y la tuerca (15) como se muestra.
6. Instale la varilla (4) a través de los orificios que se encuentran en la sección inferior del poste (3) y del perno de anilla (5). Introduzca el conjunto del poste en el tanque (6) a través del orificio central del conjunto de la rueda como se muestra. Fije la parte inferior del poste (6) en el tanque con arandelas (9 y 13), la tuerca (10) y la correa del dispositivo de anclaje (29) como se muestra.
7. Fije los puntales de la base (9) en el poste usando un perno (10), arandelas (11) y una tuerca (12), como se muestra. Gire los extremos no fijos de los puntales de la base (9) como se muestra.
8. Fije los puntales de la base (9) en la base usando un perno (14), arandelas (11) y una tuerca (15), como se muestra.
9. Instale el soporte giratorio superior (18) en el frente de la base usando el perno (19), la arandela (20) y la tuerca (8) como se muestra.
10. Introduzca el perno (21) a través del soporte giratorio inferior (22) como se muestra, el perno (21) se fijará en el paso 12. Coloque cuidadosamente el conjunto de la base sobre su costado. Instale el soporte giratorio inferior (22) con el perno (23), arandelas (20) y contratuerca (8) como se muestra.
11. Asegure ambos tubos de articulación (24) en el segundo soporte de la rueda (25) con los pernos cabeza de carro (26) y las tuercas de brida (15).
12. Instale las ruedas (27) en el eje (28) y el soporte de la rueda (25) con las tapas de presión (29) como se muestra.
13. Coloque la base como se muestra. Asegure el conjunto del soporte de la rueda con el disco (30), arandela (20) y tuerca (8) como se muestra. NOTA: Se recomienda que dos personas realicen este paso.
14. Cuidadosamente vuelva a colocar todo el conjunto, como se muestra.
¡IMPORTANTE! Se recomienda que dos personas realicen este paso.
15. Conecte la tuerca tinnerman (31) en el canal interior (32). Coloque el canal interior en el canal exterior (33) como se muestra.
16. Deslice la manija (34) a su posición como se muestra y asegúrela con pernos (35), arandelas (11) y tuercas (15). Apriete completamente.
17. Instale el perno (36), arandelas (11) y tuerca (37) como se muestra. Apriete hasta que las arandelas (11) ya no estén flojas. NOTA: No apriete en exceso. Monte el accionador (38) en el conjunto de la manija (34, 32, 31) como se muestra y asegure con el perno (39) y la arandela (11). Apriete completamente.
18. ADVERTENCIA: CUANDO INSTALE LOS RESORTES UTILICE PROTECTORES OCULARES.
Instale el resorte de retorno del accionador (40) en el conjunto de la manija (32, 33) como se muestra.
19. Coloque la etiqueta Accuheight (41) en el canal exterior (32).
20. Conecte el resorte (44) en los pernos (43) e instale los pernos (43) en el soporte de montaje del poste (45). Conecte el otro resorte (44) en el lado opuesto. NOTA: Si los resortes no caben sobre los pernos, suavemente agrande los ojales del resorte con unas pinzas.
ADVERTENCIA: CUANDO INSTALE LOS RESORTES UTILICE PROTECTORES OCULARES.
21. Instale el conjunto de montaje del poste y el soporte de refuerzo (47) en el poste con los pernos cabeza de carro (46), como se muestra. Apriete completamente las tuercas de brida (15).
22. Empuje hacia atrás el perno deslizante (43) como se muestra en la Figura A para colocar el conjunto del sistema ajustable a través del conjunto de montaje del poste. Luego conecte las cubiertas de resortes (48 y 49) en el soporte de montaje del poste (45) con el perno (50) y la tuerca (15) como se muestra en la Figura B.
23. Instale los separadores (51) en los soportes del respaldo (52) con los pernos (53, 54) y las contratuercas (55, 37) como se muestra.
24. Monte los tubos elevadores inferiores (56) como se muestra. NOTA: Apriete el

perno (57) en la contratuerca (58) hasta que quede al ras (uniforme) con el borde exterior de la contratuerca.

¡IMPORTANTE! Es necesario instalar todas las piezas para que este mecanismo funcione de manera segura y adecuada. NOTA: Coloque tentativamente los pernos en los orificios de los soportes (52) y muévalos cuidadosamente con un movimiento circular para quitar la pintura de los orificios si es necesario.

25. Coloque los espaciadores del tablero (76) en el tablero como se muestra. Doble los soportes (52) para alinearlos con los orificios del tablero. Introduzca los pernos (62) en los orificios como se muestra. Apriete completamente.
NOTA: Las tuercas (15) y los pernos (60) de montaje del borde se suministran con el herraje del borde.
26. Monte los tubos elevadores superiores (63) en los soportes del respaldo (52) como se muestra.
NOTA: Apriete el perno (57) en la contratuerca (58) hasta que quede al ras (uniforme) con el borde exterior de la contratuerca.
27. Apoye el poste en un caballete de aserrar. Conecte el conjunto del respaldo en la sección superior del poste (1) como se muestra. Luego instale la tapa del poste (64). NOTA: Se recomienda que dos personas realicen este paso. Tenga cuidado; el conjunto del elevador es pesado.
28. Instale los tubos elevadores superiores (63) en las placas triangulares (66) como se muestra.
Instale el conjunto de la manija (32, 33) en los tubos elevadores inferiores (56) usando el perno (57), espaciadores (67) y la tuerca (58) como se muestra. NOTA: Apriete el perno (57) en la contratuerca (58) hasta que quede al ras (uniforme) con el borde exterior de la contratuerca. NOTA: Antes de continuar con el siguiente paso, coloque el conjunto del sistema ajustable a una altura de 3,05 m (10').
29. ADVERTENCIA: CUANDO INSTALE LOS RESORTES UTILICE PROTECTORES OCULARES.
Introduzca el perno (57) a través del tubo elevador superior del lado izquierdo (63), luego estire el resorte (68) hasta el perno (57). Introduzca el perno (57) a través del tubo elevador superior del lado derecho (63) y asegure con la tuerca (58).
30. Coloque la cubierta frontal (72) en los tubos de articulación (24) usando el perno cabeza de carro (61) y las tuercas de brida (15) como se muestra.
ADVERTENCIA: NO DEJE EL CONJUNTO DESATENDIDO CUANDO ESTÉ VACÍO, YA QUE SE PUEDE LADEAR.
31. Aplique la etiqueta de ajuste de la altura y de movimiento (73) en la parte frontal del poste, como se muestra.
32. Ruede el conjunto completo al área de juego deseada. Asegure el conjunto en el piso usando la correa del dispositivo de anclaje (74) y la estaca de amarre (7). Llene el tanque con 34 galones (114 litros) de agua. ¡IMPORTANTE! Añada dos galones (7,6 litros) de anticongelante no tóxico si el clima alcanza temperaturas de congelamiento. Añada al tanque dos galones (7,6 litros) para evitar el congelamiento si el clima alcanza temperaturas de congelamiento. Conecte la tapa (42) en su lugar.
33. ADVERTENCIA: No permita que los niños ajusten la altura.
Agarre la manija y presione la palanca.
34. Empuje hacia el poste mientras sujeta la palanca. Suba o baje la palanca a la altura deseada a la vez que empuja la manija hacia adelante.
35. Libere la manija asegurándose de que el perno horizontal (43) quede fijo en la ranura.

ADVERTENCIA: EL USO DE ESTE PRODUCTO SIN LA INSTALACIÓN ADECUADA DE LOS SUJETADORES SMART CLIP, O LA FALTA DE ELLOS PUEDE DAR COMO RESULTADO DAÑOS CORPORALES. ASEGÚRESE DE SEGUIR CUIDADOSAMENTE LAS INSTRUCCIONES.

36. Instale los sujetadores de la red como se muestra. (Vea la ilustración)
37. Instale la red como se muestra. (Vea la ilustración)

LISTA DE PIEZAS (Vea el identificador de herraje)

Artículo	Cant.	Pieza N.º	Descripción
1	1	914822	Sección superior del poste, negra
2	1	904811	Sección media del poste, negra
3	1	903407	Sección inferior del poste, negra
4	1	200188	Varilla de zinc, 3/8 x 5-1/4 de longitud
5	1	202822	Perno de anilla, 3/8-16 x 3 -3/4 de longitud
6	1	200117	Tanque
7	1	203124	Estaca, amarre
8	4	203063	Contratuerca, inserto de nilón, 3/8-16
9	2	906410	Puntales, base
10	1	202662	Perno, 5/16-18 x 4-1/2 de longitud
11	11	203218	Arandela plana, 5/16 x 7/8 D.E.
12	1	203220	Contratuerca, inserto de nilón, 5/16-18
13	1	200516	Cubierta vinílica para perno, 5/16
14	2	203798	Perno, brida hexagonal, 5/16-18 x 1-1/2 de longitud
15	22*	203100	Contratuerca, Whiz, 5/16-18
16	1	203223	Perno, cabeza de carro de 5/16-18 X 1.00" de largo
17	2	226401	Rueda de 15,2 cm (4") de diámetro
18	1	200123	Soporte giratorio superior
19	1	200512	Perno, cabeza hexagonal, 3/8-16 x 3-1/2 de longitud
20	5*	203232	Arandela, 3/8 D.I. x 3/4 D.E.
21	1	206252	Perno, cabeza hexagonal, 3/8-16 x 1 de longitud
22	1	206948	Soporte giratorio inferior
23	1	203330	Perno, cabeza hexagonal, 3/8-16 x 4-1/2 de longitud
24	2	200122	Tubos de articulación
25	2	900223	Soporte de la rueda
26	4	203103	Perno cabeza de carro, 5/16-18 x 2 de longitud
27	2	226402	Rueda de 15,2 cm (6") de diámetro
28	2	206940	Eje, 0,461 D.E. x 21 de longitud
29	4	206938	Tapas de presión
30	1	206956	Disco de plástico, 12,7 cm (5") D.E. x 0,0625 de espesor
31	1	204839	Tuerca Tinnerman
32	1	904816	Canal interior
33	1	904815	Canal exterior
34	1	204813	Manija, ajuste de la altura
35	2	203217	Perno cabeza de carro, 5/16-18 x 1-1/2 de longitud
36	1	203679	Perno, cabeza hexagonal, 3/8-16 x 2 de longitud
37	2	201124	Contratuerca, hexagonal, 3/8-16
38	1	204814	Accionador, ajuste de la altura
39	1	203589	Perno, cabeza hexagonal, 5/16-18 x 1-1/4 de longitud
40	1	201125	Resorte del trinquete
41	1	211257	Etiqueta, Accuheight
42	1	206219	Tapa para el tanque, negra
43	2	204840	Pasador, 3/8 x 3 de longitud
44	2	204841	Resorte, plateado
45	1	204819	Soporte, montaje del poste
46	2	203053	Perno cabeza de carro, 5/16-18 x 4 de longitud
47	1	206990	Soporte de refuerzo
48	1	204811	Cubierta del resorte, lado izquierdo de la manija
49	1	204812	Cubierta del resorte, lado derecho de la manija
50	1	206263	Perno cabeza de carro, 5/16-18 x 3 de longitud
51	2	201129	Espaciador, metal, 0,5 D.E. x 0,402 D.I. x 1,8 de longitud
52	2	900846	Soporte del tablero
53	1	240017	Perno, cabeza hexagonal, 1/4-20 x 2-1/4 de longitud
54	1	206360	Perno, cabeza hexagonal, 3/8-16 x 2,625 de longitud
55	1	203493	Contratuerca hexagonal, fijación central, 1/4-20
56	2	904821	Tubo elevador, inferior (largo)
57	6	204847	Perno, cabeza hexagonal, 1/2-13 x 9-1/2 de longitud
58	7	206340	Contratuerca, 1/2-13
59	4	201682	Espaciador, negro, 0,56 D.E. x 0,683 D.I. x 1,88 de longitud
60	4	201611	Perno, brida hexagonal, 5/16-18 x 3 de longitud
61	4	265601	Perno cabeza de carro, 5/16-14 x 3-1/2 de longitud
62	4*	205528	Perno, brida hexagonal, 5/16-18 x 1 de longitud
63	2	904807	Tubos elevadores, superiores (cortos)
64	1	207103	Tapa del poste
65	1	201139	Perno, cabeza hexagonal, 1/2-13 x 4-1/2 de longitud
66	2	201654	Placa triangular
67	8	202862	Espaciador de plástico, 1/2 D.I., 1-1/4 de longitud
68	1	204837	Resorte
69	1		Red
70	1		Borde
71	12	201219	Sujetador de la red, Smart Clip
72	1	200118	Cubierta frontal
73	1	211249	Etiqueta, ajuste de la altura y de movimiento
74	1	201568	Ancla, T Faja
75	1	201568	Estaca, amarre
76	2	200533	Espaciador del tablero

* Puede haber piezas adicionales en este modelo

Huffy steht zur Qualität seiner Produkte!

Wir freuen uns, daß Sie eines unserer ausgezeichneten Produkte gewählt haben und sind zuversichtlich, daß Sie mit diesem Kauf sehr zufrieden sein werden. Obwohl unsere Produkte mit der größten Sorgfalt hergestellt werden, können bisweilen Probleme auftreten. Bitte wenden Sie sich in diesen Fällen an unser Kundendienstzentrum, damit wir Ihr Problem schnell und richtig beheben oder Ihre Fragen beantworten können. Wir können Ihnen schneller helfen, wenn Sie die Modellnummer griffbereit haben (siehe Kartonaufdruck). Bitte tragen Sie diese Nummer im dafür vorgesehenen Feld weiter oben ein.

! SICHERHEITSHINWEISE !

EIN MIßACHTEN DIESER SICHERHEITSHINWEISE KANN SCHWERE VERLETZUNGEN ODER SACHSCHÄDEN ZUR FOLGE HABEN UND MACHT DIE GARANTIEERKLÄRUNG UNWIRKSAM.

Der Besitzer muß gewährleisten, daß alle Spieler mit den Vorschriften für eine sichere Bedienung dieser Vorrichtung vertraut sind und diese beachten.

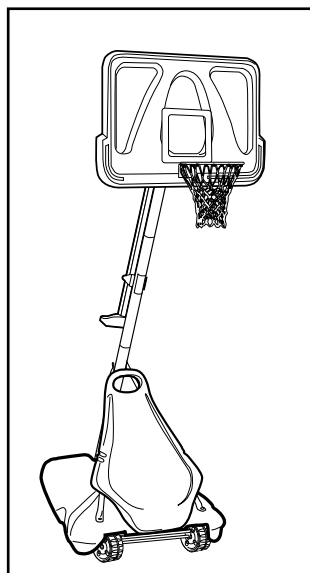
Aus Sicherheitsgründen sollte nicht versucht werden, dieses System ohne sorgfältige Beachtung der Anleitung zusammenzubauen. Den ganzen Karton und alle Verpackungsmaterialien nach Teilen überprüfen. Vor Beginn der Montage die Anleitung durchlesen und die einzelnen Teile anhand des Teileschlüssels und der Teilleiste in diesem Dokument bestimmen. Eine vorschriftsmäßige und vollständige Montage, Benutzung und Aufsicht sind für den richtigen Betrieb und zur Reduzierung des Unfall- oder Verletzungsrisikos absolut notwendig. Bei unsachgemäßer Installation und Instandhaltung und bei einem nicht ordnungsgemäßen Betrieb besteht eine hohe Wahrscheinlichkeit schwerer Verletzungen.

- Bei Gebrauch einer Leiter während des Zusammenbaus extrem vorsichtig vorgehen.
- Diese Arbeit sollte von zwei (2) Personen ausgeführt werden.
- Den Sockel regelmäßig auf Leckstellen untersuchen. Langsam austretende Füllmittel können ein unerwartetes Umkippen des Systems verursachen.
- Die einzelnen Stangenteile richtig zusammenfügen (falls anwendbar). Andernfalls können sich die Stangenteile beim Spielbetrieb und/oder während des Transports des Systems voneinander lösen.
- Klimatische Bedingungen, Korrosion oder Fehlgebrauch kann zu Systemdefekten führen.
- Die Mindestspielhöhe beträgt 1,98 m (6,6 Fuß) bis zum unteren Rand der Korbwand.
- Diese Vorrichtung ist nur für den Freizeitgebrauch zu Hause, NICHT aber für ein übermäßig wettkampfbetontes Spiel vorgesehen.
- Den an der Stange angebrachten Warnaufkleber gründlich lesen. Eine Abbildung dieses Aufklebers befindet sich auf Seite 10.
- Die Lebensdauer Ihrer Basketballstange hängt von zahlreichen äußeren Umständen ab. Klimabedingungen, Platzierung und Aufstellort der Stange, Angriff durch korrodierende Substanzen wie Ungeziefer- und Pflanzenvernichtungsmittel oder Salz – all das sind wichtige Faktoren.
- Technische Unterstützung kann direkt von Huffy Sports angefordert werden.
- Höhenverstellungen sollten von Erwachsenen beaufsichtigt werden.

Die meisten Verletzungen werden durch einen unvorschriftsmäßigen Gebrauch und/oder ein Mißachten der Sicherheitshinweise verursacht. Beim Gebrauch dieser Vorrichtung Vorsicht walten lassen.

Weitere Informationen über Zusammenbau, Aufstellung, richtige Verwendung und Wartung sind von der Webseite des „American Basketball Council“ unter der Adresse <http://www.smarthoops.com> zu beziehen.

Die auf diesem Produkt reproduzierten Erkennungszeichen der NBA und der einzelnen NBA-Mitgliedsmannschaften sind Warenzeichen und urheberrechtlich geschützte Designs und/oder andere Formen geistigen Eigentums, die ausschließliches Eigentum von NBA Properties, Inc. und der jeweiligen NBA-Mitgliedsmannschaften sind, und die weder als Ganzes noch zum Teil ohne die schriftliche Einwilligung von NBA Properties, Inc., verwendet werden dürfen.



ZUR INSTALLATION ERFORDERLICHE WERKZEUGE:

- Zwei Personen
- Holzbrett (Ausschuß)
- Maßband
- Stufenleiter, 2,4 m (8 Fuß)
- Klebeband
- Gartenschlauch oder Sand (163 kg) (360 US-Pfd.)
- Hammer
- Schraubenschlüssel: (Zwei) 1/2 Zoll, (Ein), 9/16 oder verstellbare große und kleine Schraubenschlüssel (9/16-Zoll-Einsatz mit Verlängerung empfohlen)
- Sägebock oder Stützsch

TUFF STUFF® und die damit verbundenen Warenzeichen sind Eigentum von Mattel, Inc., und werden mit deren Genehmigung verwendet. Huffy-Produkte werden von Mattel oder deren verbundene oder Tochtergesellschaften in keiner Weise gesponsort, unterstützt oder autorisiert.

HINWEIS AN DAS MONTAGEPERSONAL

ALLE Basketballsysteme von Huffy Sports, einschließlich der zu Demonstrationszwecken benutzten Systeme, müssen gemäß den Montageanleitungen zusammengebaut und mit Sand oder Wasser beschwert werden. Ein Mißachten dieser Anleitungen kann **SCHWERE VERLETZUNGEN** zur Folge haben. Zum Beschweren darf **NICHT** zu irgendwelchen Notbehelfsmaßnahmen gegriffen werden.

TRANSPORT DES SYSTEMS

1. Die Stange festhalten; zur selben Zeit das Basketballsystem nach vorne drehen, bis die Räder den Boden berühren.
2. Das Basketballsystem zum gewünschten Aufstellort fahren.
3. Das Basketballsystem vorsichtig in eine aufrechte Position drehen.
4. Die Bodensperre wieder anbringen, und eine Stabilitätsprüfung für das System durchführen.

! WARNUNG !

EIN MISSACHTEN DIESER WARNUNG KANN ZU SCHWEREN VERLETZUNGEN UND/ODER SACHSCHÄDEN FÜHREN UND MACHT DIE GARANTIE UNWIRKSAM

Der Eigentümer muß sicherstellen, daß alle Spieler diese Regeln für einen sicheren Betrieb des Systems kennen und befolgen.

- NICHT am Korbrand oder irgendeinem anderen Teil des Systems, einschl. Korbwand, Stützstreben oder Netz HÄNGEN.
- Während des Spielbetriebs, besonders bei Slam-Dunk-Manövern, müssen die Spieler ihr Gesicht von Korbwand, Korbrand und Netz fernhalten. Der Kontakt von Zähnen/Gesicht mit der Korbwand, dem Korbrand oder dem Netz kann schwere Verletzungen zur Folge haben.
- Nicht auf dem Sockel und/oder der Stange herumrutschen, klettern, daran rütteln oder damit spielen.
- Nach dem Zusammenbau das System ganz mit Wasser oder Sand füllen und im Boden verankern. Das System niemals in aufrechter Position stehen lassen, ohne den Sockel zu beschweren, da es andernfalls umkippen und Verletzungen verursachen kann.
- Beim Einstellen der Höhe oder beim Transport des Systems Hände und Finger von beweglichen Teilen fernhalten.
- Kindern sollte das Verschieben oder Einstellen des Systems nicht gestattet werden.
- Beim Spielen keinen Schmuck (Ringe, Armbanduhren, Halsketten usw.) tragen. Gegenstände dieser Art können sich im Netz verfangen.
- Die Oberfläche unter dem Sockel muß glatt und frei von Kies oder anderen scharfkantigen Gegenständen sein. Löcher können zu Lecks und somit zu einem Umkippen des Systems führen.
- Organische Materialien vom Stangensockel fernhalten. Gras, Abfälle, usw. können Korrosion und/oder Abbaueerscheinungen verursachen.
- Das Stangensystem auf Anzeichen von Korrosion (Rost, Narbenbildung, Abblättern) untersuchen und mit Emailaußenfarbe neu lackieren. Wenn sich Rost an irgendeiner Stelle durch den Stahl durchgefressen hat, ist die Stange sofort auszutauschen.
- Das System vor jeder Benutzung auf den richtigen Ballast, lose Befestigungsteile, übermäßige Abnutzungserscheinungen und Anzeichen von Korrosion untersuchen; vor jedem Einsatz entsprechende Korrekturmaßnahmen bzw. Reparaturen durchführen.
- Die Stabilität des System vor jedem Gebrauch überprüfen.
- Das System nicht bei windigen und/oder unwirtschaftlichen Witterungsverhältnissen benutzen, da es unter diesen Umständen umkippen kann. Das System in die Lagerposition versetzen und/oder in einen windgeschützten Bereich bringen, an dem es keine Sachschäden verursachen kann bzw. wo keine Oberleitungen vorhanden sind.
- Niemals an bzw. mit einer beschädigten Ausrüstung spielen.
- Die ordnungsgemäße Installation und Wartung ist dem Gebrauchshandbuch zu entnehmen.
- Beim Transport des Systems darauf achten, daß sich der Mechanismus nicht verschiebt.
- Das obere Stangenende muß jederzeit mit einer Kappe abgedeckt sein.
- Das Wasser im Tank darf keinesfalls gefrieren. Bei Temperaturen unter dem Nullpunkt ungiftiges Gefrierschutzmittel oder Sand hinzufügen oder den Tank völlig entleeren und lagern. (Kein Salz verwenden.)
- Beim Aufstellen des Systems auf einer geneigten Fläche mit großer Vorsicht vorgehen. Das System kann unter diesen Umständen leichter umkippen.

HUFFY SPORTS

201241 2/99

Universelle gebührenfreie Telefonnummer
(Deutschland, Schweiz): 00 800 555 85234

Download from www.Somanuals.com. All Manuals Search And Download.

GEBRAUCHSANLEITUNG

WICHTIG! NOTIEREN SIE SICH DIE MODELLNUMMER AUS DEM KÄSTCHEN AUF SEITE 1 DIESES BENUTZERHANDBUCHS

VORBEREITENDE MASSNAHMEN

Um sicherzustellen, dass das Korbwandsystem optimal für den Spielbetrieb geeignet ist, müssen die Komponenten der Verlängerungsvorrichtung und die verschiedenen Befestigungsteile fest miteinander verschraubt werden. Große Schrauben zur Probe in die großen Löcher der Verlängerungsrohre, Korbwandklammern und Dreiecksplatte stecken und diese vorsichtig in einer Kreisbewegung hin- und herbewegen, um eventuelle Farbrückstände aus den Bohrungen zu entfernen.

1. Die Stangenteile wie gezeigt mit Klebeband markieren.
 2. **WICHTIG!** Das obere (1) und mittlere Stangenteil (2) wie gezeigt zusammenstecken, bis sie sich nicht mehr auf die mit Klebeband markierte Stelle zu bewegen. Den Stangenaufbau aufrichten. **HINWEIS:** Die Stangenteile müssen einander um mindestens 9 cm (3 ½ Zoll) überlappen.
 3. **WICHTIG!** Die Löcher im oberen (1) und unteren (2) Stangenteil **MÜSSEN** miteinander zur Deckung kommen, damit das Verlängerungssystem richtig zur Spielfläche hin positioniert werden kann. Das untere Stangenteil (3) wie gezeigt an dieser Baugruppe befestigen und alle Teile zusammenstecken, bis sie fest ineinander stecken. **HINWEIS:** Die Stangenteile müssen einander um mindestens 9 cm (3 ½ Zoll) überlappen.
 4. Die Räder (17) wie gezeigt mit Druckkappen (29) an der Achse (28) und der Radhalterung (25) befestigen.
 5. Den Sockel wie gezeigt aufstellen. Die Radhalterungsbaugruppe wie gezeigt mit Scheibe (16) und Mutter (15) sichern.
 6. Die Stange (4) durch die Löcher im unteren Stangenteil (3) und die Einschrauböse (5) stecken. Den Stangenaufbau wie gezeigt in den Tank (6) und das mittlere Loch in der Radbaugruppe stecken. Das untere Stangenende (6) mit Unterlegscheiben (11), Mutter (8) und Ankerriemen (74) wie gezeigt befestigen. **HINWEIS:** Diese Arbeit sollte von zwei (2) Personen ausgeführt werden.
 7. Die Sockelverstrebrungen (9) mit Schraube (10), Unterlegscheiben (11) und Mutter (12) wie gezeigt befestigen. Die ungesicherten Enden der Sockelverstrebrungen (9) wie gezeigt drehen.
 8. Die Sockelverstrebrungen (9) mit Schraube (14), Unterlegscheiben (11) und Mutter (15) befestigen.
 9. Die obere Drehhalterung (18) wie gezeigt mit Schraube (19), Unterlegscheibe (20) und Muttern (8) an der Vorderseite des Sockels befestigen.
 10. Die Schraube (21) wie gezeigt durch die untere Drehhalterung (22) schieben; die Schraube (21) wird dann in Schritt 12 gesichert. Die Sockelbaugruppe vorsichtig auf ihre Seite legen. Die untere Drehhalterung (22) wie gezeigt mit Schraube (23), Unterlegscheiben (20) und Gegenmutter (8) befestigen.
 11. Beide Gelenkrohre (24) mit Schlossschrauben (26) und Flanschmutter (15) an der zweiten Radhalterung (25) befestigen.
 12. Die Räder (27) wie gezeigt mit Druckkappen (29) an der Achse (28) und der Radhalterung (25) befestigen.
 13. Den Sockel wie gezeigt aufstellen. Die Radhalterungsbaugruppe wie gezeigt mit Scheibe (30), Unterlegscheibe (20) und Mutter (8) sichern. **HINWEIS:** Diese Arbeit sollte von zwei (2) Personen ausgeführt werden.
 14. Den gesamten Aufbau wie gezeigt wieder in die richtige Lage bringen. **WICHTIG!** Diese Arbeit sollte von zwei (2) Personen ausgeführt werden.
 15. Die Stempelsetzermutter (31) auf den inneren Kanal (32) aufsnappen lassen. Den inneren Kanal wie gezeigt in den äußeren Kanal (33) einsetzen.
 16. Den Griff (34) wie gezeigt in Position bringen und mit Schrauben (35), Unterlegscheiben (11) und Muttern (15) sichern. Fest anziehen.
 17. Schraube (36), Unterlegscheiben (11) und Mutter (37) wie gezeigt anbringen. Festziehen, bis die Unterlegscheiben (11) nicht mehr verrückbar sind. **HINWEIS:** Nicht zu fest anziehen. Den Abzug (38) wie gezeigt an der Griffereinheit (34, 32, 31) befestigen und mit Schraube (39) und Unterlegscheibe (11) sichern. Fest anziehen.
 18. **WARNUNG: BEIM ANBRINGEN DER FEDERN AUGENSCHUTZ TRAGEN!** Die Abzugrückholfeder (40) wie gezeigt an der Griffereinheit (32 und 33) anbringen.
 19. Den Accuheight-Aufkleber (41) am äußeren Kanal (32) anbringen.
 20. Die Feder (44) an den Bolzen (43) befestigen und die Bolzen (43) auf der Stangenmontagehalterung (45) anbringen. Die andere Feder (44) auf der gegenüberliegenden Seite befestigen. **HINWEIS:** Die Ösen der Federn mit einer Zange vorsichtig vergrößern, wenn die Federn nicht über die Bolzen passen.
- WARNUNG: BEIM ANBRINGEN DER FEDERN AUGENSCHUTZ TRAGEN!**
21. Die Stangenmontagebaugruppe und die Verstärkungshalterung (47) wie gezeigt mit Schlossschrauben (46) an der Stange befestigen. Die Flanschmutter (15) fest anziehen.
 22. Den Schiebestift (43) wie in Abbildung A gezeigt nach hinten schieben, damit der einstellbare Systemaufbau durch die Stangenmontagegruppe passt. Dann die Federabdeckungen (48 und 49) wie in Abbildung B gezeigt mit Schraube (50) und Mutter (15) auf der Stangenmontagehalterung (45) befestigen.
 23. Abstandsstücke (51) wie gezeigt mit Schrauben (53 und 54) und

- Gegenmutter (55 und 37) an den Korbwandklammern (52) anbringen.
24. Die unteren Verlängerungsrohre (56) wie gezeigt zusammenbauen. **HINWEIS:** Die Schraube (57) in der Gegenmutter (58) so weit anziehen, bis sie bündig mit der Außenkante der Gegenmutter abschließt. **WICHTIG!** Dieser Mechanismus funktioniert nur dann sicher und ordnungsgemäß, wenn alle Teile vorschriftsmäßig eingebaut wurden. **HINWEIS:** Die Schrauben zur Probe in die Bohrungen der Klammern (52) stecken und sie vorsichtig im Kreis hin- und herbewegen, um eventuelle Farbrückstände aus den Bohrungen zu entfernen.
 25. Die Korbwandabstandsstücke (76) wie gezeigt in der Korbwand anbringen. Die Klammern (52) so zurechtbiegen, dass sie auf die Löcher in der Korbwand ausgerichtet sind. Schrauben (62) wie gezeigt in die Löcher einsetzen. Fest anziehen. **HINWEIS:** Korbrandmontagemutter (15) und Schrauben (60) sind in den Befestigungsteilen des Korbrands enthalten.
 26. Die oberen Verlängerungsrohre (63) wie gezeigt an den Korbwandklammern (52) befestigen. **HINWEIS:** Die Schraube (57) in der Gegenmutter (58) so weit anziehen, bis sie bündig mit der Außenkante der Gegenmutter abschließt.
 27. Die Stange auf einen Sägebock legen. Die Korbwandbaugruppe wie gezeigt am oberen Stangenteil (1) befestigen. Dann die Stangenkappe (64) aufsetzen. **HINWEIS:** Diese Arbeit sollte von zwei (2) Personen ausgeführt werden. Bitte vorsichtig zu Werke gehen; die Verlängerungsbaugruppe ist sehr schwer.
 28. Die oberen Verlängerungsrohre (63) wie gezeigt an den Dreiecksplatten (66) befestigen. Dann die Griffereinheit (32, 33) wie gezeigt mit Schraube (57), Abstandsstücken (67) und Mutter (58) an den unteren Verlängerungsrohren (56) anbringen. **HINWEIS:** Die Schraube (57) in der Gegenmutter (58) so weit anziehen, bis sie bündig mit der Außenkante der Gegenmutter abschließt. **HINWEIS:** Bevor zum nächsten Schritt übergegangen wird, ist das Einstellsystem auf die 3,05-m- (10 Zoll)-Markierung einzustellen.
 29. **WARNUNG: BEIM ANBRINGEN DER FEDERN AUGENSCHUTZ TRAGEN!** Die Schraube (57) durch das linke obere Verlängerungsrohr (63) schieben und die Feder (68) über die Schraube (57) dehnen. Die Schraube (57) durch das rechte obere Verlängerungsrohr (63) schieben und mit der Mutter (58) sichern.
 30. Die vordere Abdeckung (72) wie gezeigt mit Schlossschraube (61) und Flanschmutter (15) an den Gelenkrohren (24) befestigen. **WARNUNG: DIE VORRICHTUNG IM LEEREN ZUSTAND NICHT UNBEAUFSICHTIGT LASSEN, DA SIE UMKIPPEN KÖNNTE.**
 31. Höhen- und Transportaufkleber (73) wie gezeigt an der Vorderseite der Stange anbringen.
 32. Den fertigen Aufbau an den gewünschten Spielort rollen. Den Aufbau mit dem Ankerriemen (74) und dem Bodenverankerungspfahl (7) im Boden sichern. Den Tank mit 125 l (34 US-Gallonen) Wasser füllen. **WICHTIG!** Den Tank mit 7,6 l (2 US-Gallonen) eines ungiftigen Gefrierschutzmittels füllen, um in Klimazonen mit Frosttemperaturen ein Gefrieren zu verhindern. Dem Tank 7,6 l (2 US-Gallonen) hinzufügen, um ein Gefrieren in Klimazonen mit Frosttemperaturen zu verhindern. Den Deckel (42) aufsnappen lassen.
 33. **WARNUNG:** Kindern darf das Verstellen der Höhe nicht gestattet werden. Den Griff fassen und den Hebel nach unten drücken.
 34. Bei festgehaltenem Hebel zur Stange hin drücken. Den Hebel auf die gewünschte Höhe absenken oder anheben; dabei den Griff nach vorne drücken.
 35. Den Griff loslassen und sicherstellen, dass der horizontale Stift (4e3) fest im Schlitz einrastet.

WARNUNG: EIN GEBRAUCH DIESES PRODUKTS OHNE ORDNUNGSGEMÄSS ANGEBRACHTE BZW. MIT FEHLENDEN SMART CLIPS KANN VERLETZUNGEN ZUR FOLGE HABEN. DIE ANLEITUNG UNBEDINGT SORGFÄLTIG BEACHTEN.

36. Die Netzhalteklammern wie gezeigt anbringen. (Siehe Abbildung)
37. Das Netz wie gezeigt anbringen. (Siehe Abbildung)

TEILELISTE (Siehe Teileschlüssel)

Artikel	Menge	Teilenummer	Beschreibung
1	1	914822	Oberes Stangenteil, schwarz
2	1	904811	Mittleres Stangenteil, schwarz
3	1	903407	Unteres Stangenteil, schwarz
4	1	200188	Stange, Zink, 3/8 x 5-1/4 Länge
5	1	202822	Einschrauböse, 3/8-16 x 3-3/4 Länge
6	1	200117	Tank
7	1	203124	Bodenverankerungspfahl
8	4	203063	Nylon-Einschraubgegenmutter, 3/8-16
9	2	906410	Verstrebungen, Sockel
10	1	202662	Schraube, 5/16-18 x 4-1/2 Länge
11	11	203218	Flache Unterlegscheibe 5/16 x 7/8 AD
12	1	203220	Nylon-Einschraubgegenmutter, 5/16-18
13	1	200516	Vinyl-Schraubenabdeckung, 5/16
14	2	203798	Sechskant-Flanschschraube, 5/16-18 x 1-1/2
15	22*	203100	Whiz-Gegenmutter, 5/16-18
16	1	203223	Schlossschraube, 5/16-18 x 1,00 Zoll Länge
17	2	226401	Rad, 4 Zoll Durchmesser
18	1	200123	Obere Drehhalterung
19	1	200512	Sechskantkopfschraube, 3/8-16 x 3-1/2 Länge
20	5*	203232	Unterlegscheibe 3/8 ID x 3/4 AD
21	1	206252	Sechskantkopfschraube, 3/8-16 x 1 Länge
22	1	206948	Untere Drehhalterung
23	1	203330	Sechskantkopfschraube, 3/8-16 x 4-1/2 Länge
24	2	200122	Gelenkrohre
25	2	900223	Radhalterung
26	4	203103	Schlossschraube, 5/16-18 x 2 Länge
27	2	226402	Rad, 6 Zoll Durchmesser
28	2	206940	Achse, 0,461 AD x 21 Länge
29	4	206938	Druckkappen
30	1	206956	Kunststoffscheibe, 5 Zoll AD x 0,0625 Stärke
31	1	204839	Stempelsetzermutter
32	1	904816	Innerer Kanal
33	1	904815	Äußerer Kanal
34	1	204813	Höhenverstellgriff
35	2	203217	Schlossschraube, 5/16-18 x 1-1/2 Länge
36	1	203679	Sechskantkopfschraube, 3/8-16 x 2 Länge
37	2	201124	Sechskant-Gegenmutter, 3/8-16
38	1	204814	Höhenverstellabzug
39	1	203589	Sechskantkopfschraube, 5/16-18 x 1-1/4 Länge
40	1	201125	Ratschenfeder
41	1	211257	Accuheight-Aufkleber
42	1	206219	Tankdeckel, schwarz
43	2	204840	Stift, 3/8 x 3 Länge
44	2	204841	Feder, silberfarben
45	1	204819	Stangenmontageklammer
46	2	203053	Schlossschraube, 5/16-18 x 4 Länge
47	1	206990	Verstärkungshalterung
48	1	204811	Federabdeckungsgriff, links
49	1	204812	Federabdeckungsgriff, rechts
50	1	206263	Schlossschraube, 5/16-18 x 3 Länge
51	2	201129	Abstandsstück, Metall, 0,5 AD x 0,402 ID x 1,8 Länge
52	2	900846	Korbwandklammer
53	1	240017	Sechskantkopfschraube, 1/4-20 x 2-1/4 Länge
54	1	206360	Sechskantkopfschraube, 3/8-16 x 1 Länge
55	1	203493	Sechskantgegenmutter mit Mittensperre, 1/4-20
56	2	904821	Unteres Verlängerungsrohr (lang)
57	6	204847	Sechskantkopfschraube, 1/2-13 x 9-1/2 Länge
58	7	206340	Gegenmutter, 1/2-13
59	4	201682	Abstandsstück, schwarz, 0,56 ID x 0,683 AD x 1,88 Länge
60	4	201611	Sechskant-Flanschschraube, 5/16-18 x 3 Länge
61	4	265601	Schlossschraube, 5/16-14 x 3-1/2 Länge
62	4*	205528	Sechskant-Flanschschraube, 5/16-18 x 1 Länge
63	2	904807	Obere Verlängerungsrohre (kurz)
64	1	207103	Stangenkappe
65	1	201139	Sechskantkopfschraube, 1/2-13 x 4-1/2 Länge
66	2	201654	Dreiecksplatte
67	8	202862	Abstandsstück, Plastik, 1/2 ID, 1-1/4 Länge
68	1	204837	Feder
69	1		Netz
70	1		Korbrand
71	12	201219	Smart Clip, Netzhalteklammer
72	1	200118	Frontabdeckung
73	1	211249	Höheneinstell- und Transportaufkleber
74	1	201568	Anker, T FESTSCHNALLEN
75	1	201568	Bodenverankerungspfahl
76	2	200533	Korbwandabstandsstück

*Diesem Modell können zusätzliche Teile beige packt sein

Free Manuals Download Website

<http://myh66.com>

<http://usermanuals.us>

<http://www.somanuals.com>

<http://www.4manuals.cc>

<http://www.manual-lib.com>

<http://www.404manual.com>

<http://www.luxmanual.com>

<http://aubethermostatmanual.com>

Golf course search by state

<http://golfingnear.com>

Email search by domain

<http://emailbydomain.com>

Auto manuals search

<http://auto.somanuals.com>

TV manuals search

<http://tv.somanuals.com>