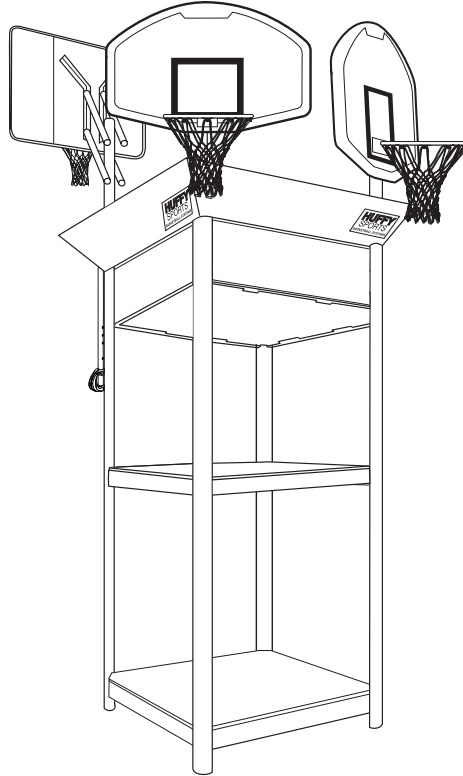



Display System Owners Manual

Customer Service Center
• N53 W24700 South Corporate Circle • Sussex, WI 53089 • U.S.A.



**Model
89226CA**

REQUIRED TOOLS AND MATERIALS:



WARNING!

READ AND UNDERSTAND OPERATOR'S MANUAL BEFORE USING THIS UNIT.

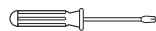
FAILURE TO FOLLOW OPERATING INSTRUCTIONS COULD RESULT IN INJURY OR DAMAGE TO PROPERTY.



• 2 Capable Adults

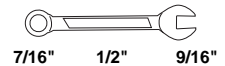


• 2 Stepladders



• Phillips Screwdriver

• (2 each) Wrenches and/or Socket Wrenches and Sockets.



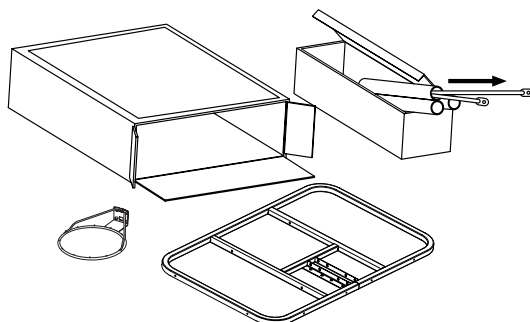
AND/OR



IMPORTANT!

To ensure prompt and correct handling of any problems, or to answer any questions, please contact the Sample and Display Technician at 1-800-558-5234.

IMPORTANT!
Remove all contents from boxes.
Be sure to check inside pole sections;
hardware and additional parts are packed inside.



! SAFETY INSTRUCTIONS !

**FAILURE TO FOLLOW THESE SAFETY INSTRUCTIONS MAY
RESULT IN SERIOUS INJURY,
PROPERTY DAMAGE AND WILL VOID WARRANTY.**

***This unit is intended for display purposes only and
should not be used for play.***

To ensure safety, do not attempt to assemble this system without following the instructions carefully. Check entire box and inside all packing material for parts. Before beginning assembly, read the instructions and identify parts in this document. Proper and complete assembly, use and supervision is essential for proper operation and to reduce the risk of accident or injury. A high probability of serious injury exists if this system is not installed, maintained, and operated properly.

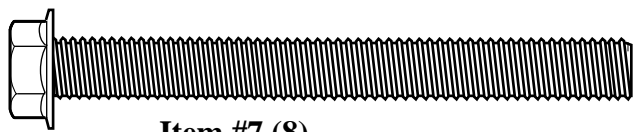
- During assembly, if using a ladder use extreme caution. Two capable adults are recommended for this operation.
- If technical assistance is required, contact the Sample and Display Technician.
- Serious injury could occur if teeth/face come in contact with backboard, net or rim.
- Display recommended for 2-3/4" (7.6 cm) or 3-1/2" (9 cm) Round or 4" (10 cm) Square poles only.
- All instructions and warnings **MUST** accompany any display item that is sold.

*Most injuries are caused by misuse and/or not following
instructions. Use caution when installing this unit.*

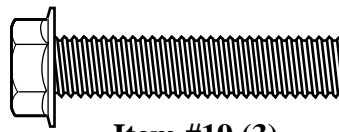
PARTS LIST (See Hardware Identifier)

<u>Item</u>	<u>Qty.</u>	<u>Part No.</u>	<u>Description</u>	<u>Item</u>	<u>Qty.</u>	<u>Part No.</u>	<u>Description</u>
1	2	200318	Bracket, Reinforcement S/J	15	2	203470	Washer, Flat, S/J
2	2	203223	Bolt, Carriage, 5/16-18 x 1"	16	2	203472	Spring
3	2	908379	Board Bracket	17	2	203795	Nut, 3/8-16 Special S/J
4	2	200533	Spacer, Mounting	18	2	203796	T-bolt, 3/8-16 x 5"
5	2	990062	Pole, 3.5"	19	3	203798	Bolt, Hex 5/16-18 x 1.5"
6	1	908378	Rim	20	3	204290	Net
7	8	201611	Bolt, Hex-Flange, 5/16-18 x 3"	21	2		Rim
8	4	205544	Bolt, 5/16-18 x 1.25"	22	2	207103	Pole Cap, 3.5"
9	8	203063	Lock Nut, 3/8-16 Nylon Insert	23	2	900033	Bracket, S/J
10	2	912006	Extension Arm	24	1	FR908359	Pole, 2.75"
11	10	203100	Nut, Hex-Flange 5/16-18 Whiz Lock	25	1	909271FR	Board, 44" Rectangular, Ball on Court
12	3	206987	Wedge	26	1	919246FR	Board, 44", Traditional NBA, Brown
13	4	203294	Bolt, U, Round, 3/8-16 x 3.5"	27	1	979281FR	Board, 50" Polycarbonate, Blue
14	4	203309	Washer				

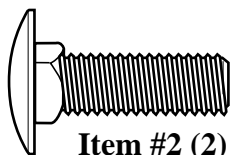
HARDWARE IDENTIFIER (Bolts and Screws)



Item #7 (8)



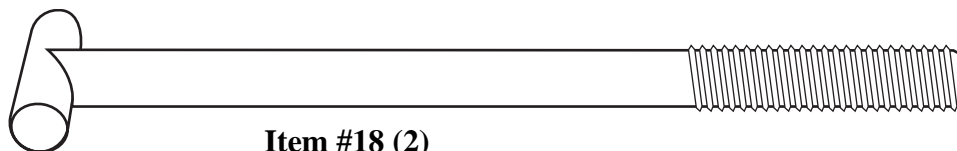
Item #19 (3)



Item #2 (2)

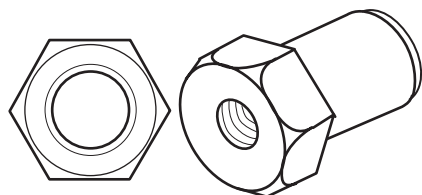


Item #8 (4)

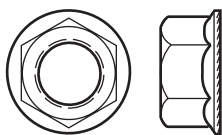


Item #18 (2)

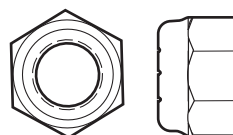
HARDWARE IDENTIFIER (Nuts, Washers & Springs)



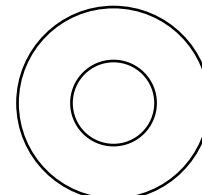
Item #17 (2)



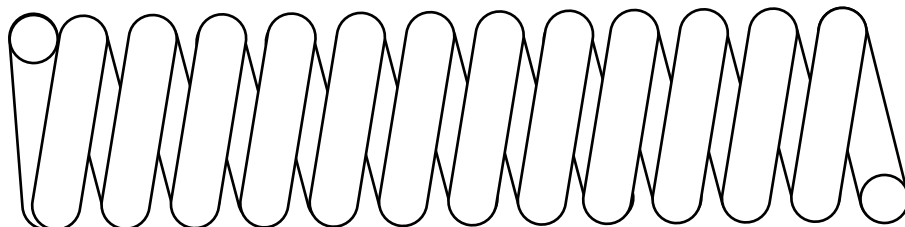
Item #11 (10)



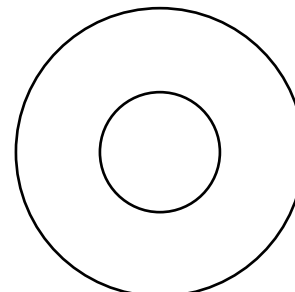
Item #9 (8)



Item #14 (4)

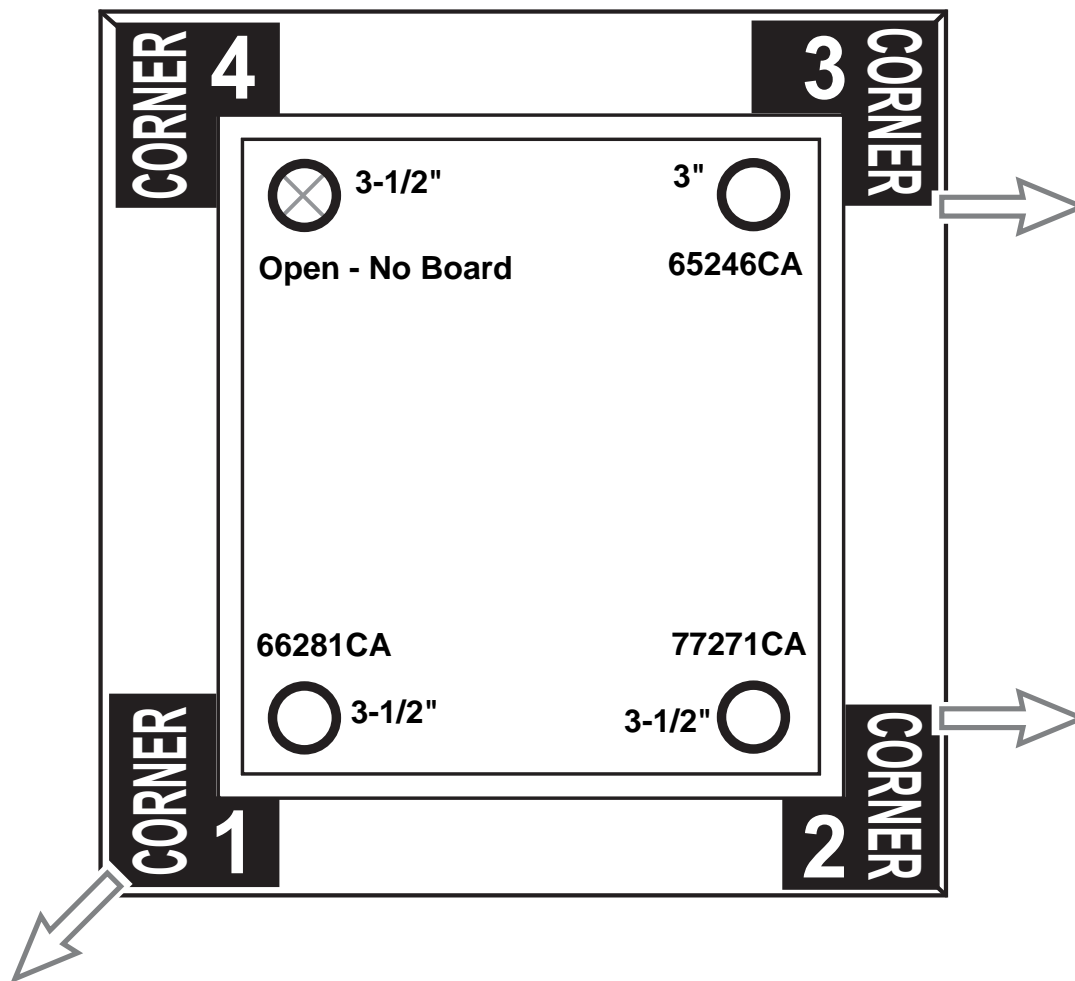


Item #16 (2)



Item #15 (2)

Install display boards in the marked locations. Each mounting location consists of a mounting pole stub with the following dimensions: Height = 8", O.D. = 3 3/8", I.D. = 3 1/8" (arrows indicate direction the board is facing).



Display boards will be mounted as follows:

Corner Location 1: 66281CA

- 50" Polycarbonate Backboard
- Blue Graphic
- Black Slam Jam Rim
- Use extension arm for assembly

Corner Location 2: 77271CA

- 44" Rectangle Recycled Board
- Basketball on Court Graphic
- Black Slam Jam Goal
- Use extension arm for assembly

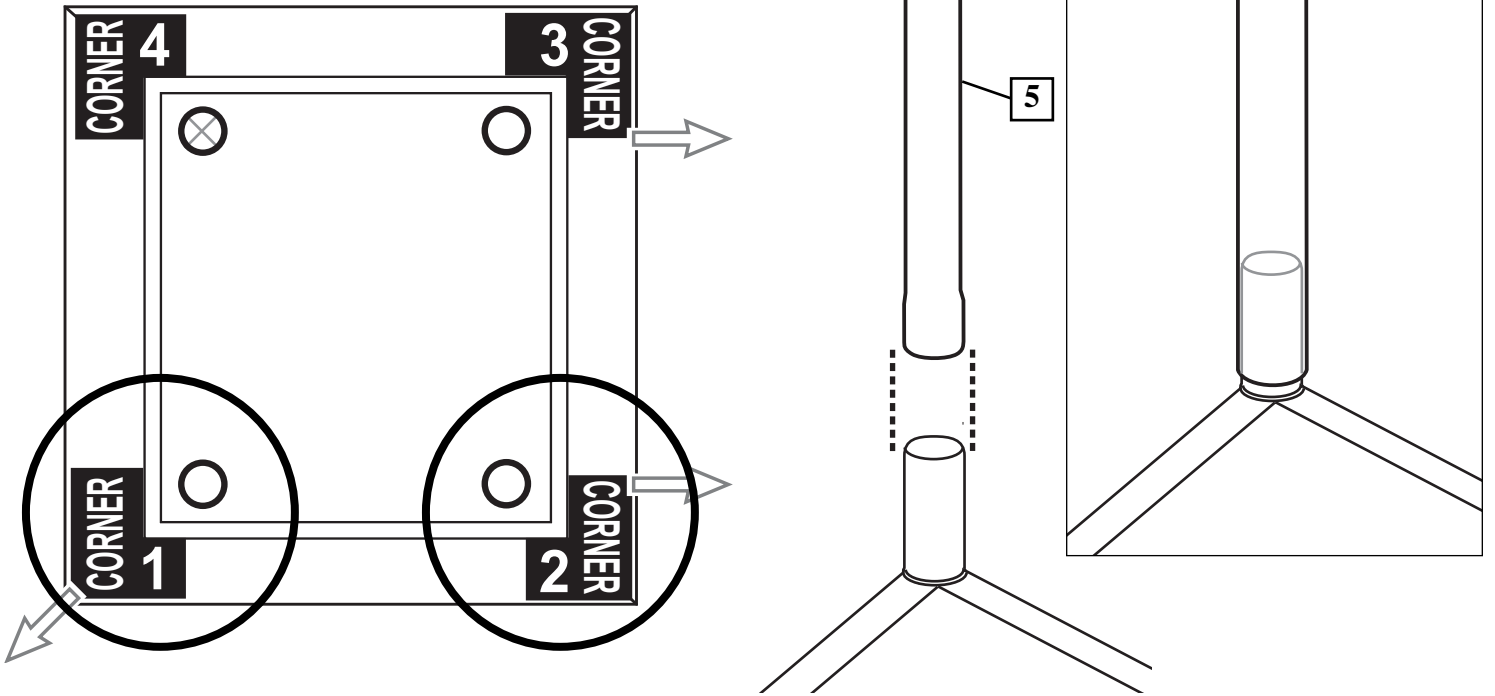
Corner Location 3: 65246CA

- 44" Trapezoidal Recycled Board
- Evolution Logo
- Black Standard Goal
- Gooseneck Pole System

Corner Location 4: Open - No Board

Corner Location 1 & 2: POLE PLACEMENT

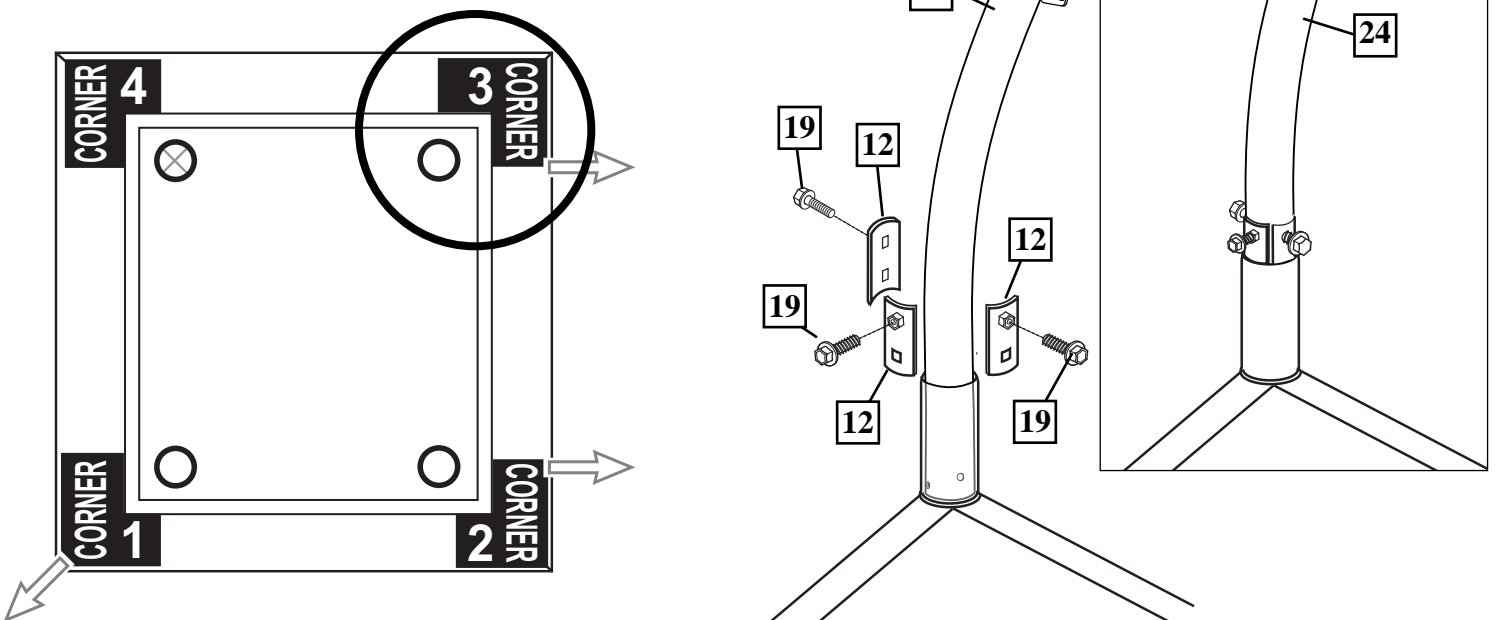
1. At corner locations 1 and 2 slide the 3-1/2" diameter end of the display pole (5) outside the mounting stubs.



Corner Location 3: POLE PLACEMENT

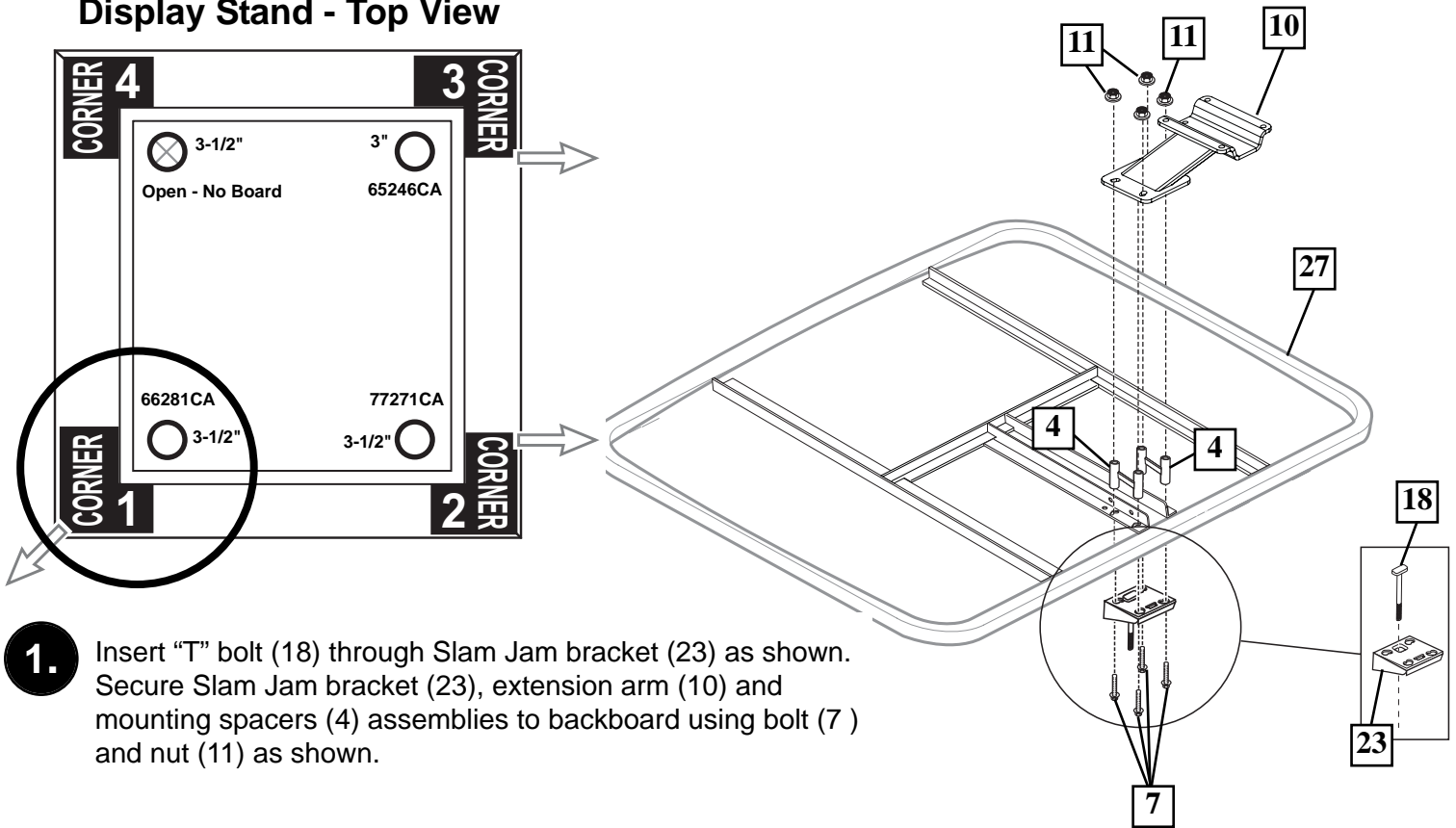
2. At corner location 3 slide the 2.75" diameter pole end of the display pole (24) inside the mounting stub.

Secure the display pole by sliding the display wedges (12) into position as shown. To lock the display pole in place, tighten the hex-bolts (19).



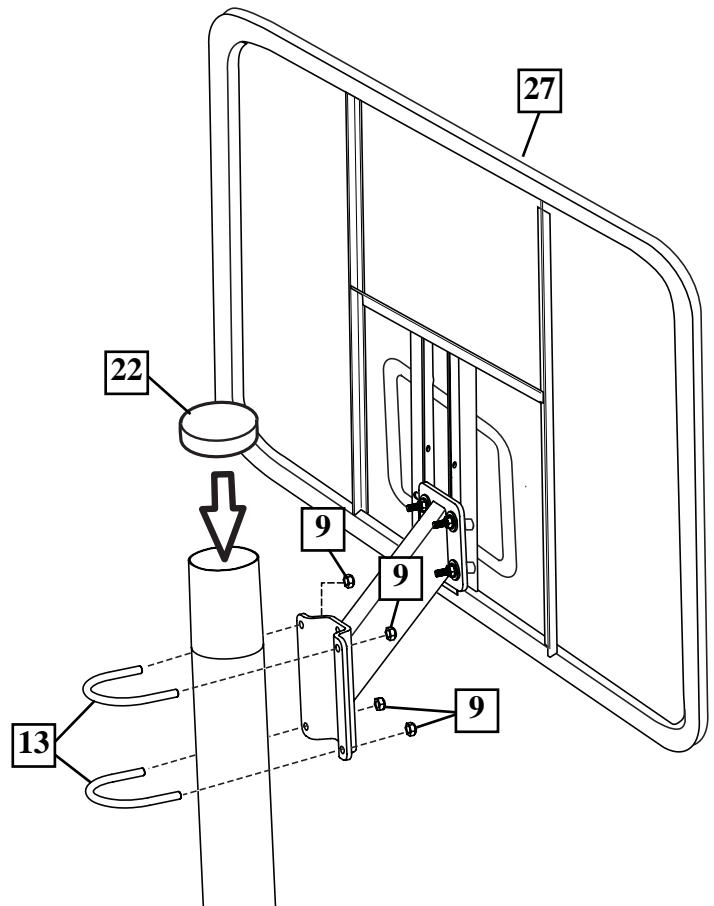
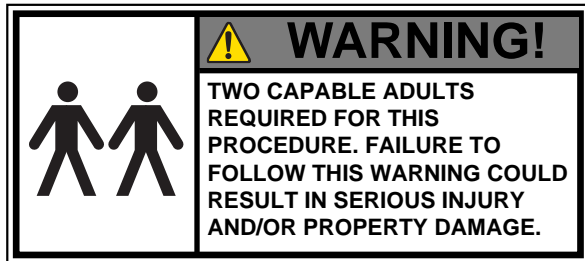
Corner Location 1: STEEL FRAME ACRYLIC BACKBOARD ASSEMBLY

Display Stand - Top View

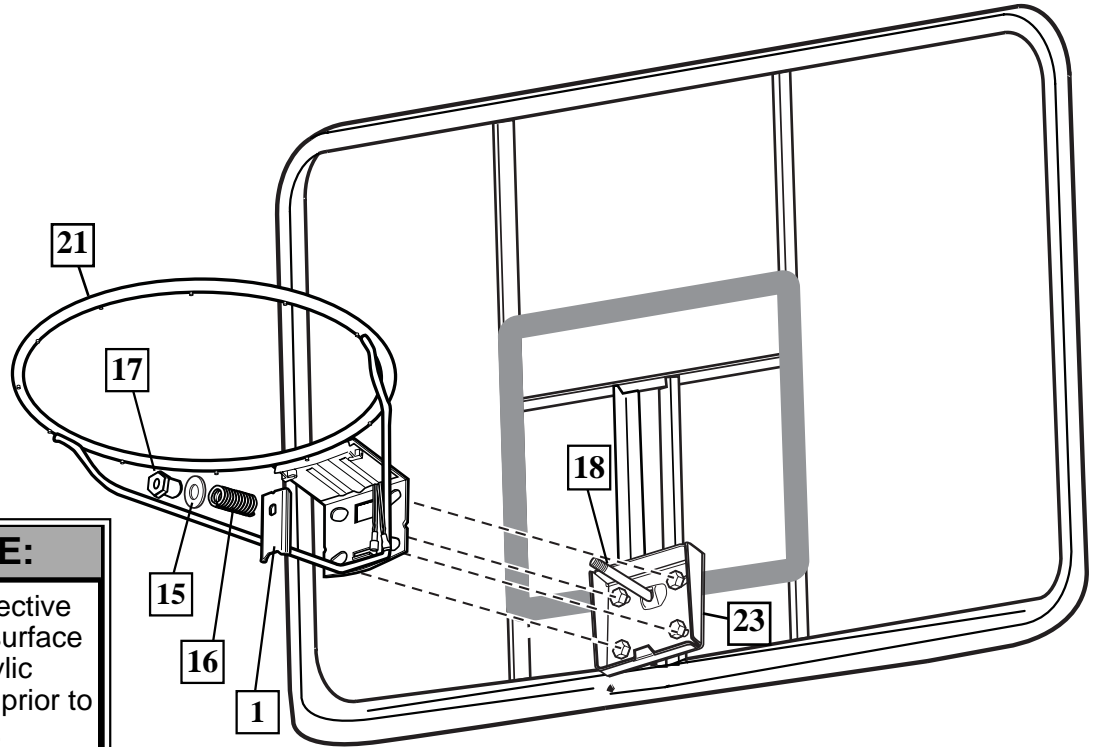
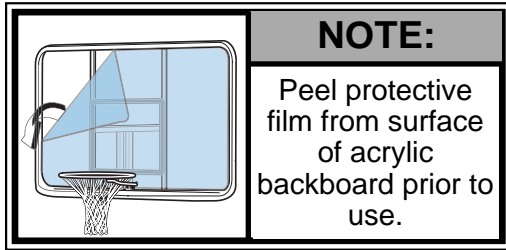
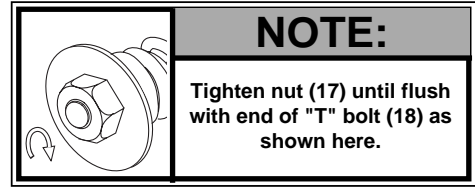


1. Insert "T" bolt (18) through Slam Jam bracket (23) as shown. Secure Slam Jam bracket (23), extension arm (10) and mounting spacers (4) assemblies to backboard using bolt (7) and nut (11) as shown.

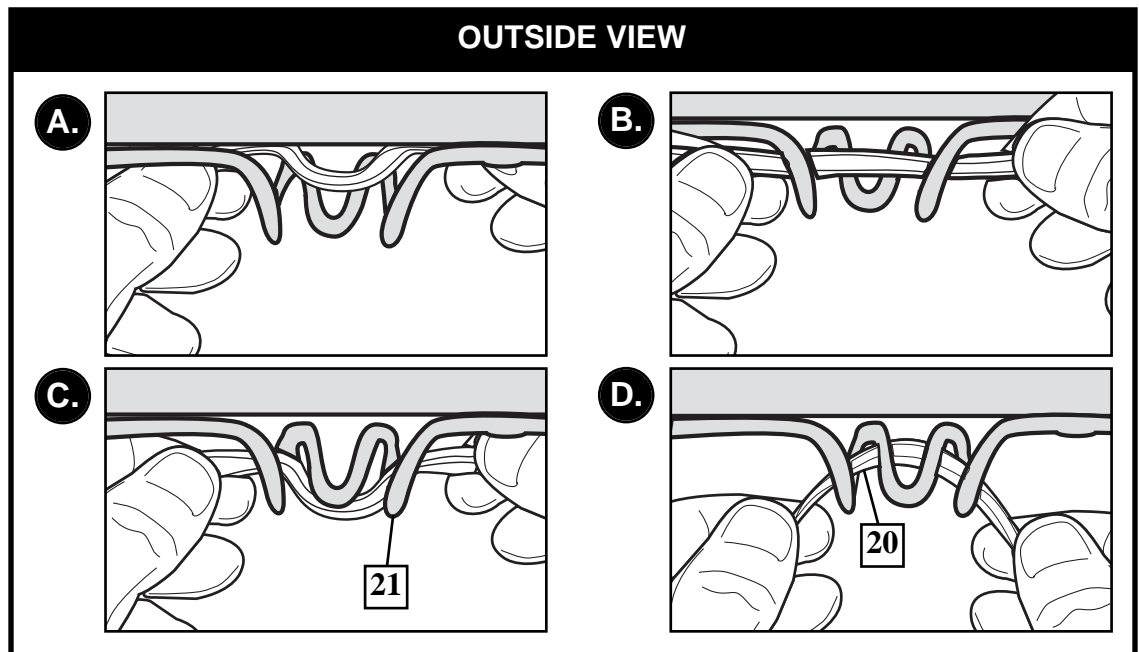
2. Attach board assembly to pole.



- 3.**
- Fit rim (21) securely into bracket (23) as shown.
 - Install reinforcement bracket (1) onto "T" bolt (18) as shown.
 - Install spring (16) onto "T" bolt (18) as shown.
 - Install special nut (17) and washer (15) onto "T" bolt (18).

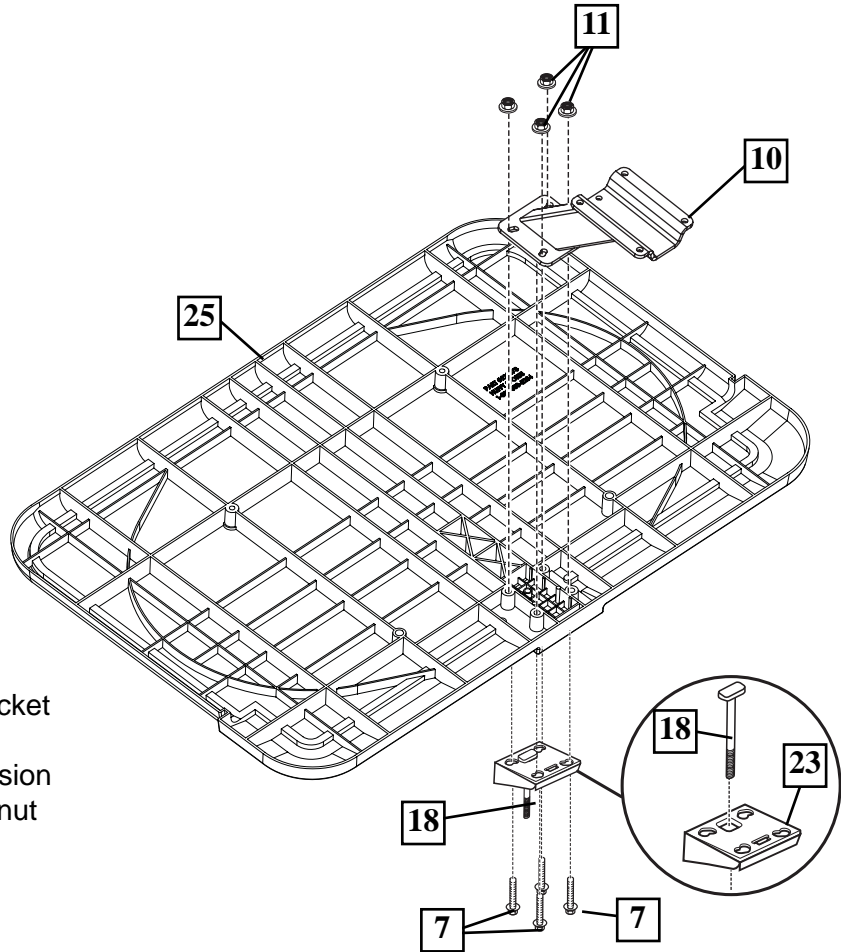
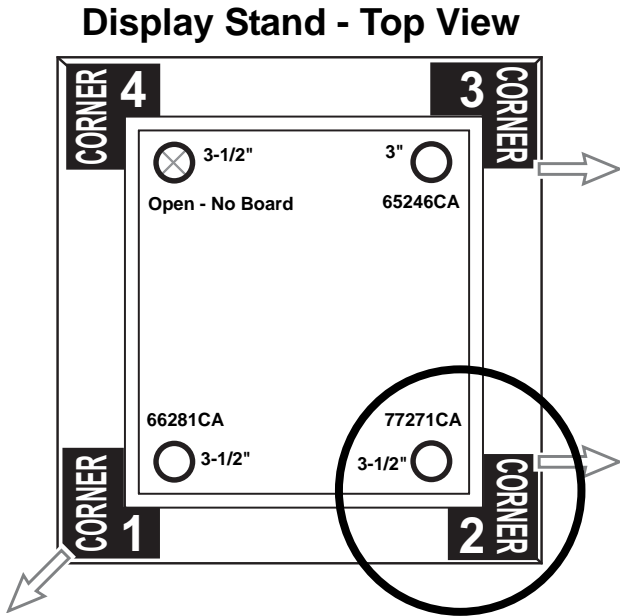


- 4.** Install net (20) as shown.



Corner Location 2: 48" SQUARE MOLDED PLASTIC BOARD ASSEMBLY

Display Stand - Top View

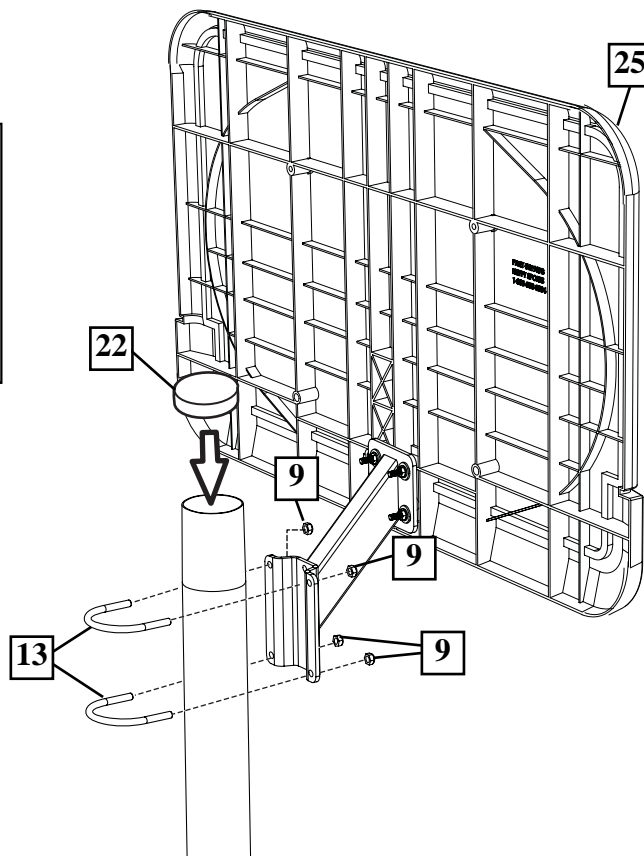


1. Insert "T" bolt (18) through Slam Jam bracket (23) as shown. Secure Slam Jam bracket (23) and extension arm (10) to backboard using bolt (7) and nut (11) as shown.

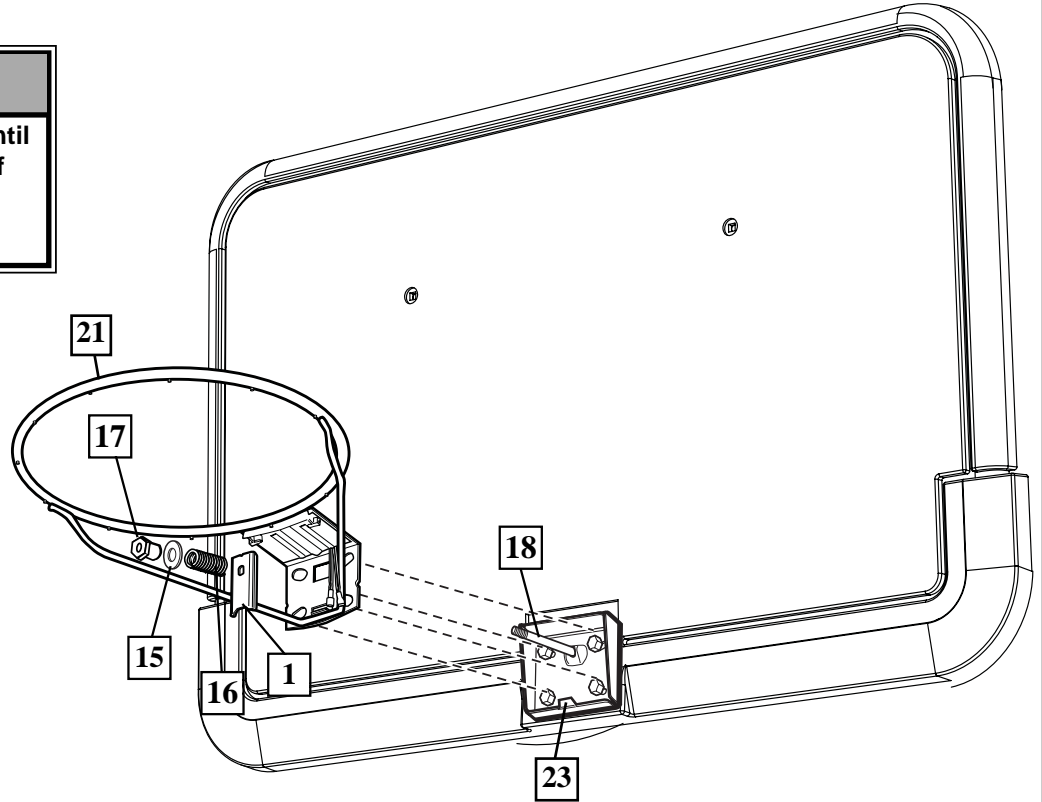
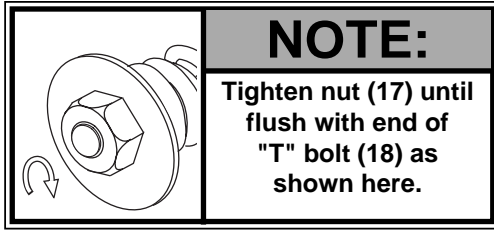
Tighten completely.

2. Attach board assembly to pole.

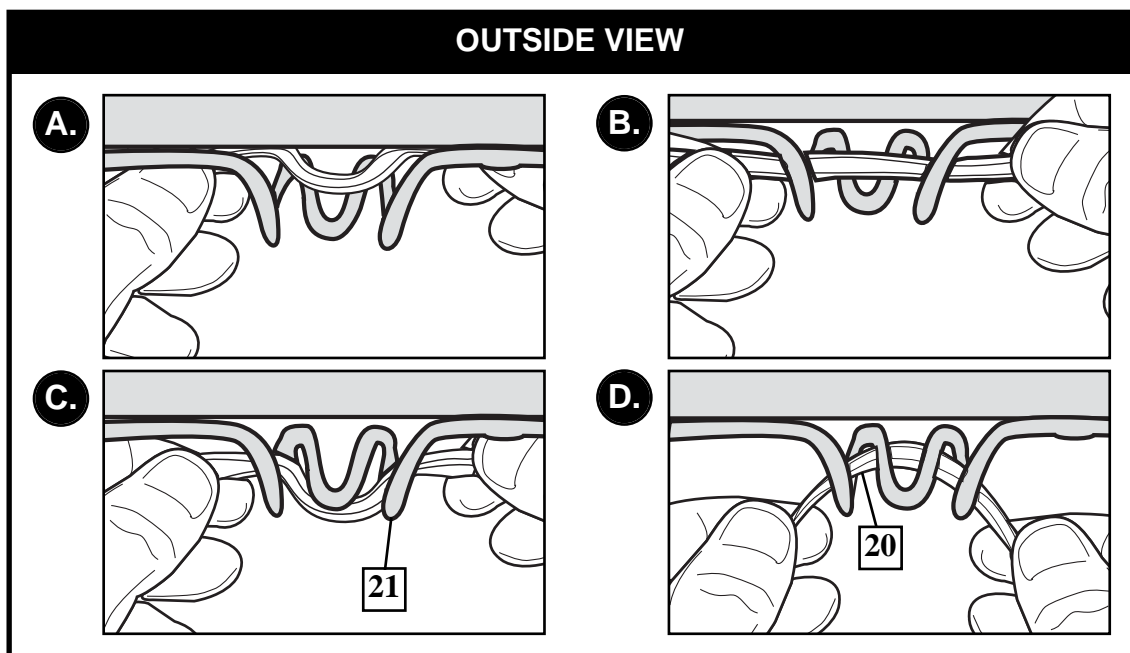
	WARNING!
	<p>TWO CAPABLE ADULTS REQUIRED FOR THIS PROCEDURE. FAILURE TO FOLLOW THIS WARNING COULD RESULT IN SERIOUS INJURY AND/OR PROPERTY DAMAGE.</p>



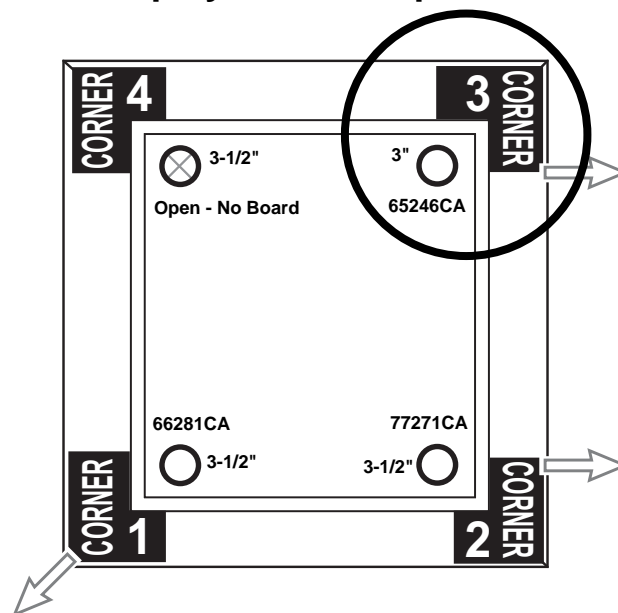
- 3.**
- Fit rim (21) securely into bracket (23) as shown.
 - Install reinforcement bracket (1) onto "T" bolt (18) as shown.
 - Install spring (16) onto "T" bolt (18) as shown.
 - Install special nut (17) and washer (15) onto "T" bolt (18).



- 4.** Install net (20) as shown.

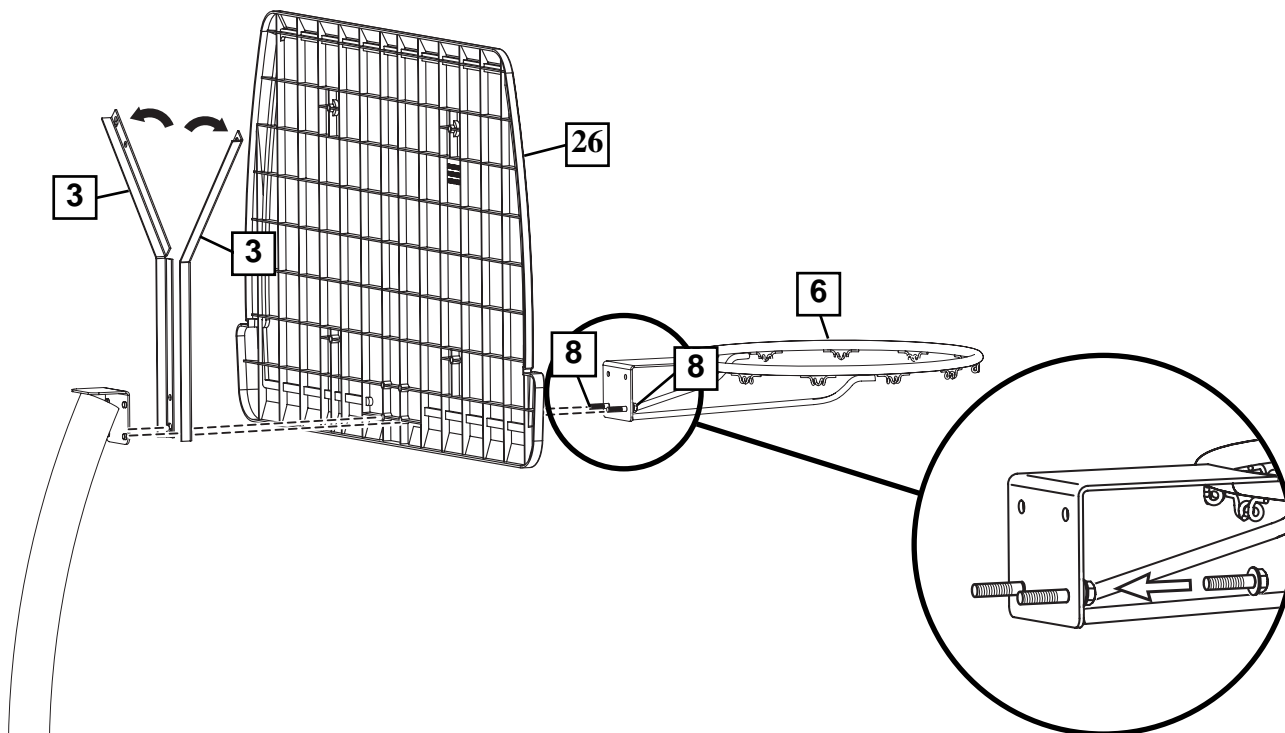


Display Stand - Top View

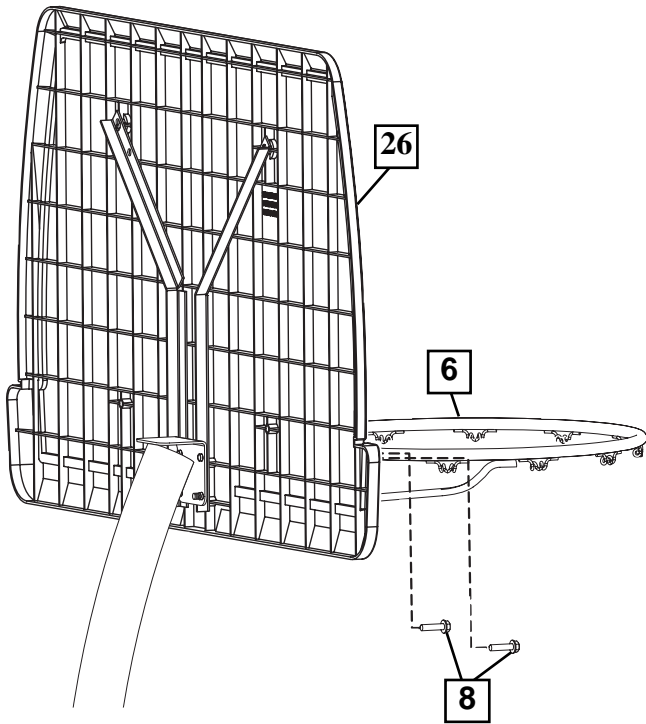


1.

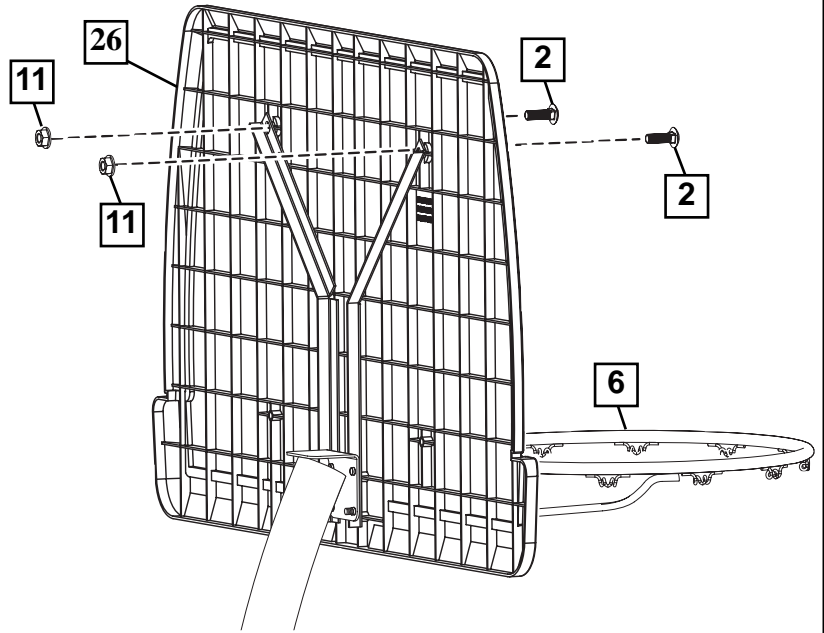
Attach rim (6), backboard (26) and support brackets (3) to the mounting pad on the top pole using the bottom rim mounting bolts (8) as shown.



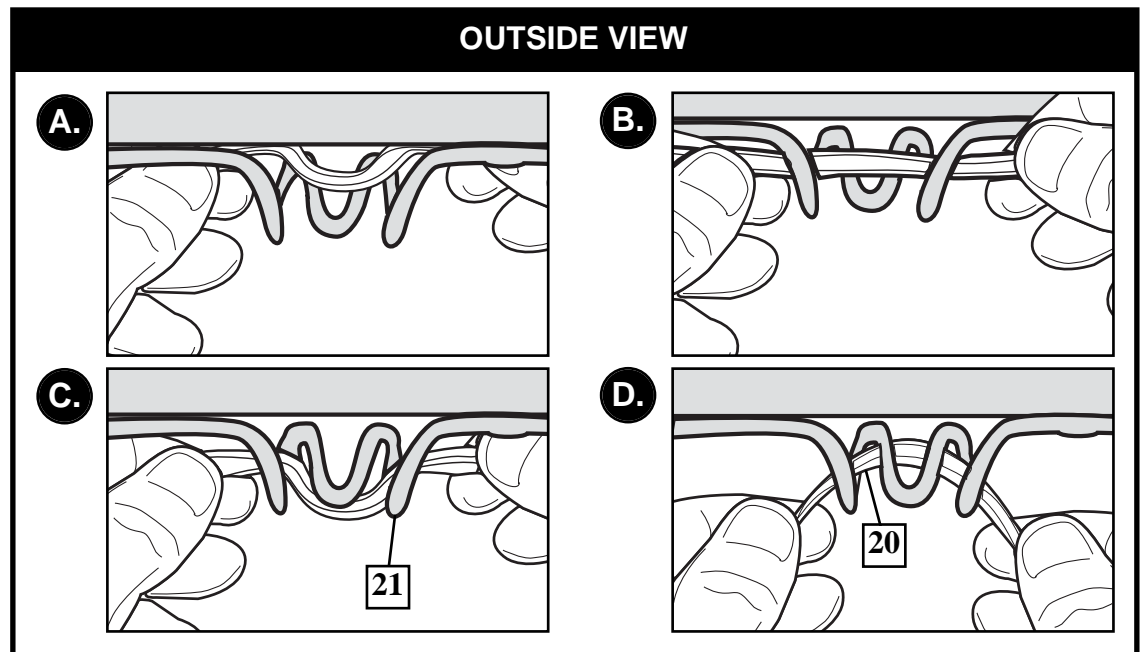
2. Install the top rim mounting bolts (8) as shown.



3. Install support bracket mounting bolts (21) as shown.



4. Install net (20) as shown.



Free Manuals Download Website

<http://myh66.com>

<http://usermanuals.us>

<http://www.somanuals.com>

<http://www.4manuals.cc>

<http://www.manual-lib.com>

<http://www.404manual.com>

<http://www.luxmanual.com>

<http://aubethermostatmanual.com>

Golf course search by state

<http://golfingnear.com>

Email search by domain

<http://emailbydomain.com>

Auto manuals search

<http://auto.somanuals.com>

TV manuals search

<http://tv.somanuals.com>