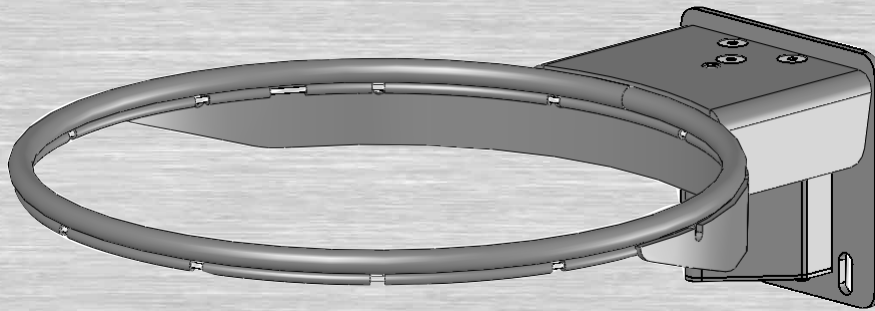


# Rim Owners Manual



**Write Model Number  
From Box Here:**



**! WARNING!**

**READ AND UNDERSTAND  
OPERATOR'S MANUAL  
BEFORE USING THIS UNIT.**

**FAILURE TO FOLLOW  
OPERATING INSTRUCTIONS  
COULD RESULT IN INJURY  
OR DAMAGE TO PROPERTY.**

**Customer Service Center**  
• 200 American Avenue • Jefferson, IA 50129  
[www.spalding.com](http://www.spalding.com) • [www.basketballproducts.com](http://www.basketballproducts.com) • [www.hydra-rib.com](http://www.hydra-rib.com)

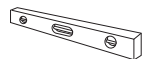
## REQUIRED TOOLS AND MATERIALS:



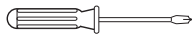
- (2) Stepladders 8 ft. (2.4 m)



- (1) Allen Wrench (7/16")
- (1) Allen Wrench (1/4")



- (1) Carpenter's Level



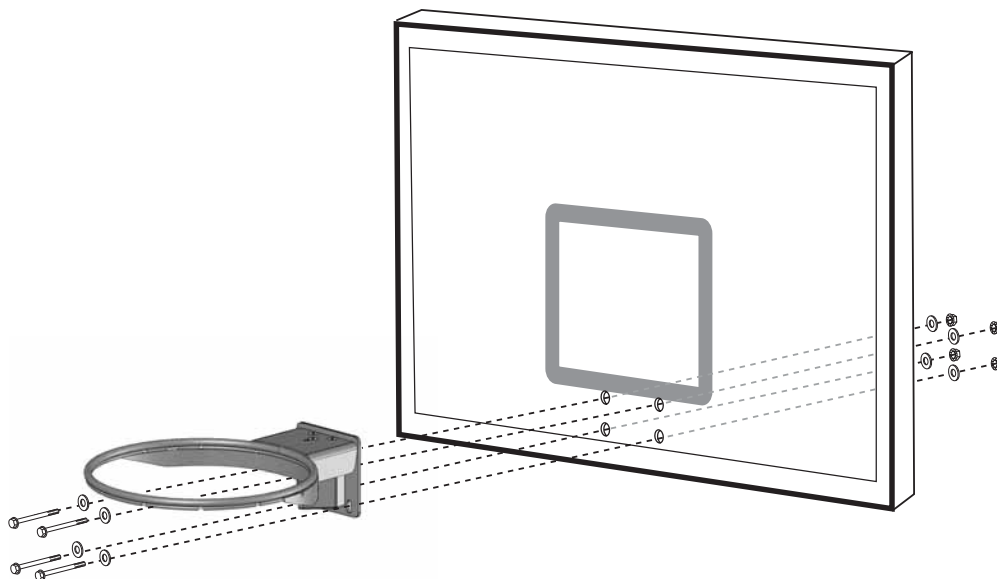
- (1) Phillips-Head Screwdriver



- (2 each) 9/16" Wrenches and/or Socket Wrenches and Sockets

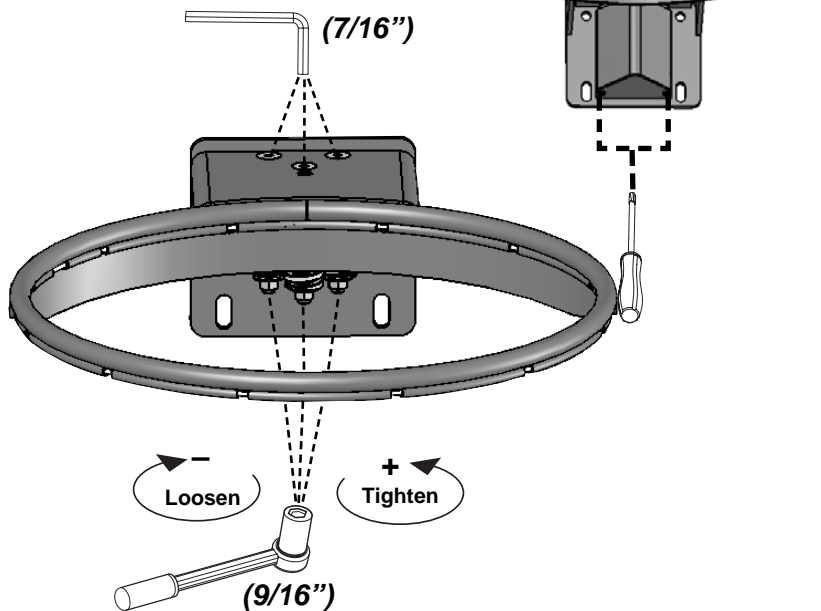


- (Deep-Well Sockets 9/16" are Recommended).

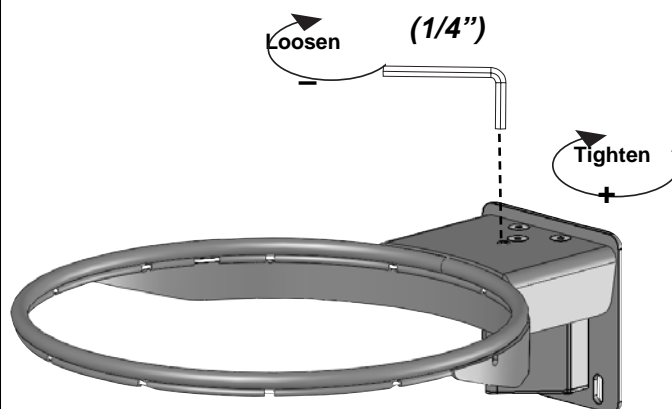


## TO ADJUST TENSION

Remove the rim cover from the rim and make adjustments as shown.

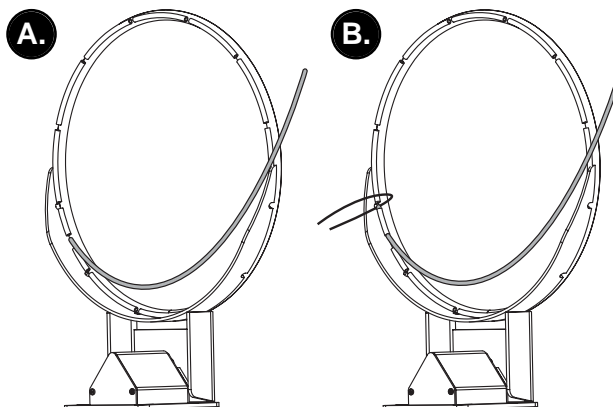


## TO LEVEL RIM



## INSTALL NET

- Remove nylon net-holder from the rim.
- Reinstall while inserting all net loops into slots along ring as shown.



## Free Manuals Download Website

<http://myh66.com>

<http://usermanuals.us>

<http://www.somanuals.com>

<http://www.4manuals.cc>

<http://www.manual-lib.com>

<http://www.404manual.com>

<http://www.luxmanual.com>

<http://aubethermostatmanual.com>

Golf course search by state

<http://golfingnear.com>

Email search by domain

<http://emailbydomain.com>

Auto manuals search

<http://auto.somanuals.com>

TV manuals search

<http://tv.somanuals.com>