

REQUIRED MATERIALS:



• 2 People

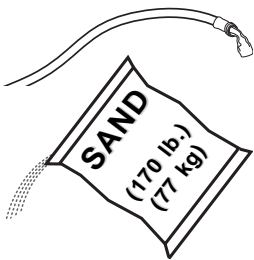


• Wood Board
(scrap)



• Sawhorse or
Support Table

• Garden Hose or Sand



• (2 each) Wrenches
and/or Socket
Wrenches and Sockets.



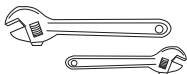
1/2" 9/16"

AND/OR



1/2" 9/16"

**OPTIONAL TOOLS
AND MATERIALS:**



• Large and Small
Adjustable Wrenches

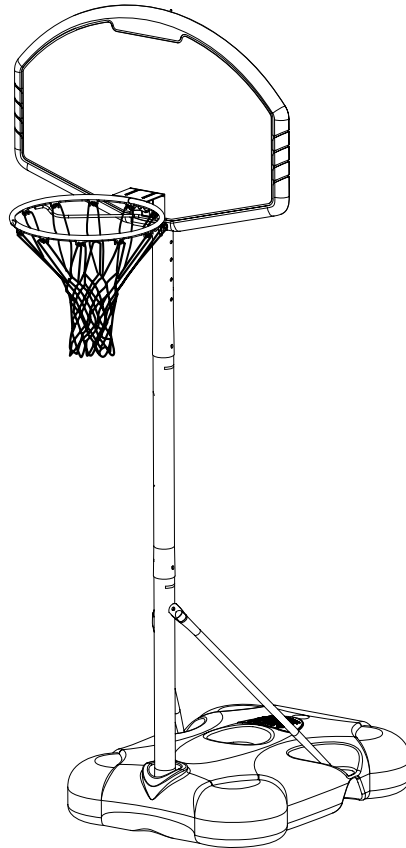
HUFFY[®]SPORTS

A DIVISION OF RUSSELL CORPORATION

Portable System Owners Manual

Customer Service Center

• N53 W24700 South Corporate Circle • Sussex, WI 53089 • U.S.A.



	! WARNING!
	READ AND UNDERSTAND OPERATOR'S MANUAL BEFORE USING THIS UNIT.
	FAILURE TO FOLLOW OPERATING INSTRUCTIONS COULD RESULT IN INJURY OR DAMAGE TO PROPERTY.

**Write Model Number
From Box Here:**

Toll-Free Customer Service Number for U.S: 1-800-558-5234,

For Canada: 1-800-284-8339,

For Europe: 00 800 555 85234 (Sweden: 009 555 85234),

For Australia: 1-800-632 7921

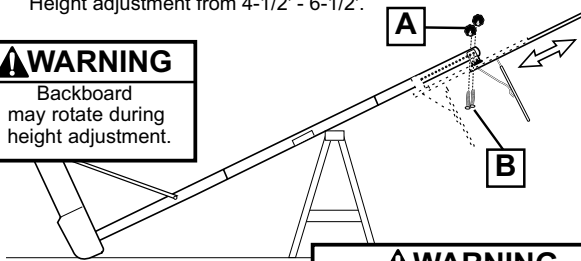
Internet Address: <http://www.huffysports.com>

HEIGHT ADJUSTMENT

Rest unit on support table. Remove adjustment knobs (A) and carriage bolts (B) to extend or retract backboard and rim. Height adjustment from 4-1/2' - 6-1/2'.

WARNING

Backboard may rotate during height adjustment.



WARNING

Do not adjust height of system in upright position. System must be in down position to adjust

204178 05/04

23

WARNING

FAILURE TO FOLLOW THESE WARNINGS MAY RESULT IN SERIOUS INJURY AND/OR PROPERTY DAMAGE.

Owner must ensure that all players know and follow these rules for safe operation of the system.

- DO NOT HANG on the rim or any part of the system including backboard, support braces or net.
- During play, especially when performing dunk type activities, keep player's face away from the backboard, rim and net. Serious injury could occur if teeth/face come in contact with backboard, rim or net.
- Do not slide, climb, shake or play on base and/or pole.
- After assembly is complete, fill system completely with water or sand. Never leave system in an upright position without filling base with weight, as system may tip over causing injuries.
- When adjusting height or moving system, keep hands and fingers away from moving parts.
- Do not allow children to move or adjust system.
- During play, do not wear jewelry (rings, watches, necklaces, etc.). Objects may entangle in net.
- Surface beneath the base must be smooth and free of gravel or other sharp objects. Punctures cause leakage and could cause system to tip over.
- Keep organic material away from pole base. Grass, litter, etc. could cause corrosion and/or deterioration.
- Check pole system for signs of corrosion (rust, pitting, chipping) and repaint with exterior enamel paint. If rust has penetrated through the steel anywhere, replace pole immediately.
- Check system before each use for proper ballast, loose hardware, excessive wear and signs of corrosion and repair before use.
- Check system before each use for instability.
- Do not use system during windy and/or severe weather conditions; system may tip over. Place system in the storage position and/or in an area protected from the wind and free from personal property and/or overhead wires.
- Never play on damaged equipment.
- See instruction manual for proper installation and maintenance.
- When moving system, use caution to keep mechanism from shifting.
- Keep pole top covered with cap at all times.
- Do not allow water in tank to freeze. During sub-freezing weather add non-toxic antifreeze, sand or empty tank completely and store. (Do not use salt.)
- Use extreme caution if placing system on sloped surface. System may tip over more easily.

HUFFY® SPORTS

In the U.S.: 1-800-558-5234 and Canada: 1-800-284-8339
For Europe: 00 055 85234 (Sweden: 009 555 85234).
For Australia: 1-800-632 792

203782 07/04



SAFETY INSTRUCTIONS



FAILURE TO FOLLOW THESE SAFETY INSTRUCTIONS MAY RESULT IN SERIOUS INJURY OR PROPERTY DAMAGE AND WILL VOID WARRANTY.

Owner must ensure that all players know and follow these rules for safe operation of the system.

To ensure safety, do not attempt to assemble this system without following the instructions carefully. Proper and complete assembly, use, and supervision are essential for proper operation and to reduce the risk of accident or injury. A high probability of serious injury exists if this system is not installed, maintained, and operated properly.

- If using a ladder during assembly, use extreme caution.
- Check base regularly for leakage. Slow leaks could cause the system to tip over unexpectedly
- Seat the pole sections properly (if applicable). Failure to do so could allow the pole sections to separate during play and/or during transport of the system.
- Climate, corrosion or misuse could result in system failure.
- If technical assistance is required, contact Huffy Sports.
- Minimum operational height is 6'-6" (1.98m) to the bottom of backboard.

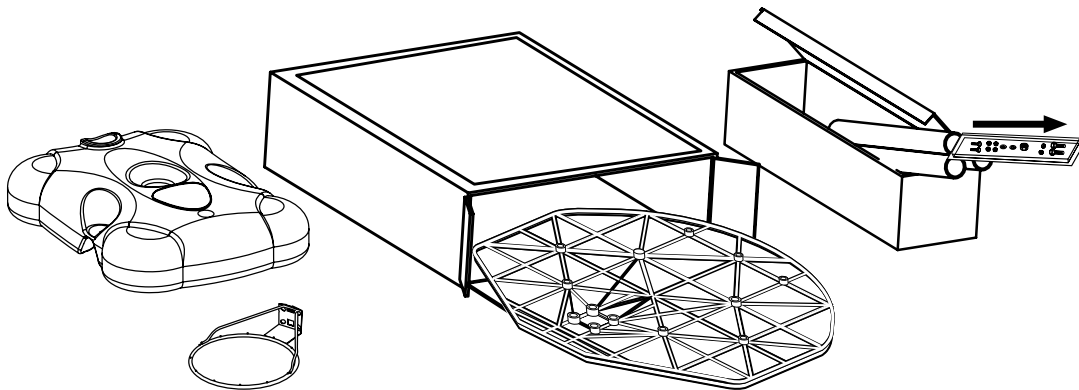
*Most injuries are caused by misuse and/or not following instructions.
Use caution when using this unit.*

NOTICE TO ASSEMBLERS

ALL Huffy Sports basketball systems, including those used for DISPLAYS, MUST be assembled and ballasted with sand or water according to instructions. Failure to follow instructions could result in SERIOUS INJURY. It is NOT acceptable to devise a makeshift weight system.

IMPORTANT!

**Remove all contents from boxes.
Be sure to check inside pole sections;
hardware and additional parts are packed inside.**



Questions or Missing Parts?

DON'T go back to store!

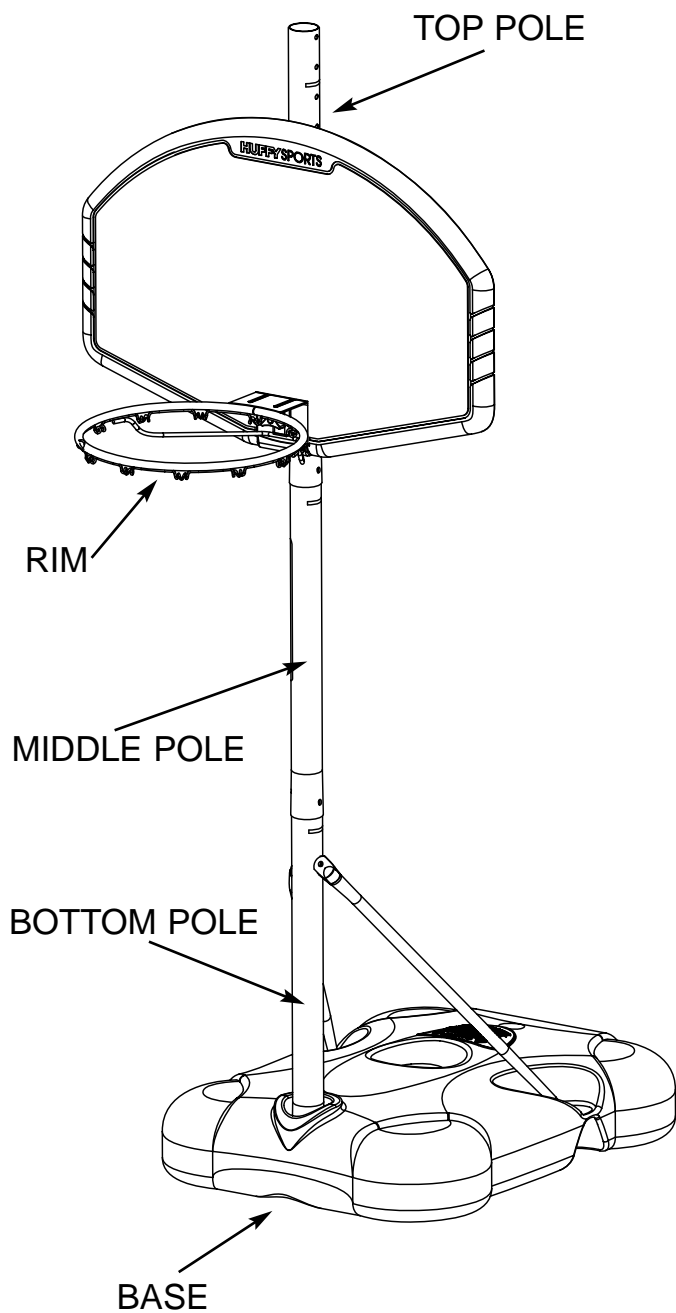
**Call TOLL-FREE Customer Service
Number listed on the front page!**

WARRANTY CARD:

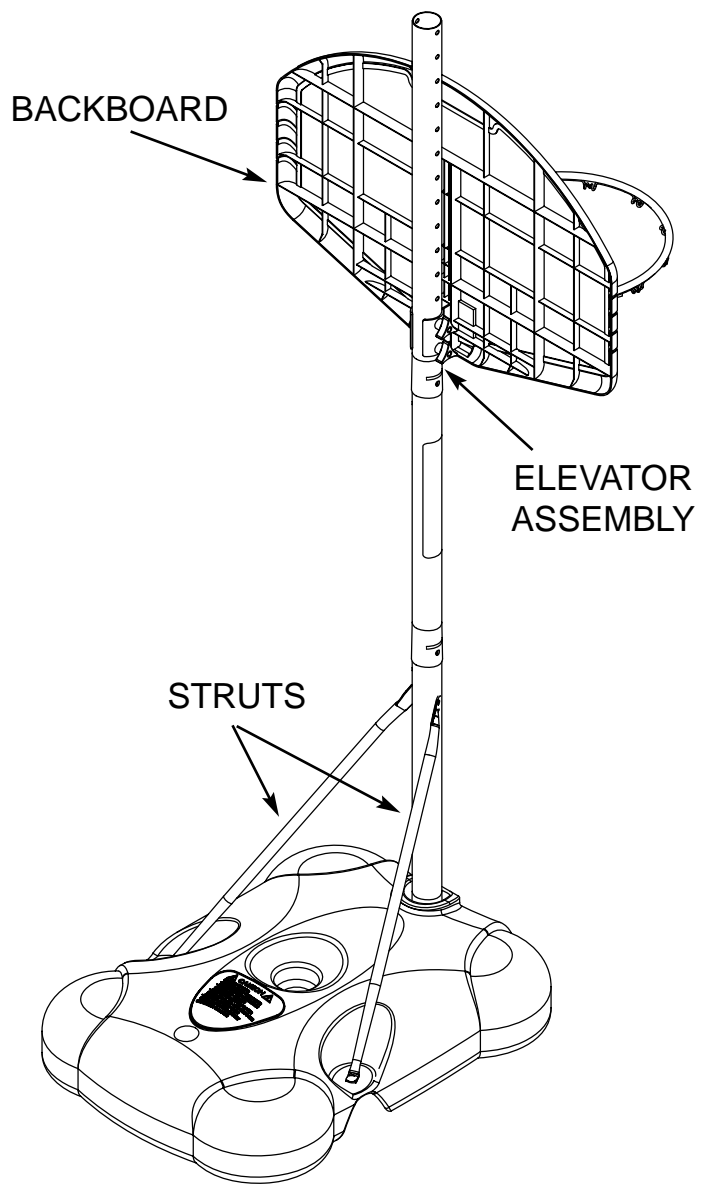
Please remember to complete your product registration form either on-line at:
www.huffysports.com/warrantycard or mail-in the enclosed postcard.

Get to know the basic parts of your basketball system...

FRONT



BACK



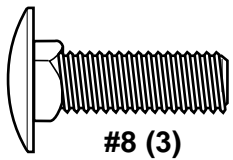
PARTS LIST

Silver

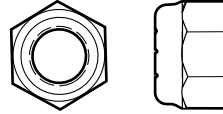
<input checked="" type="checkbox"/>	<u>Item</u>	<u>Qty.</u>	<u>Part No.</u>	<u>Description</u>
<input type="checkbox"/>	1	1	20664903	Tank (Black)
<input type="checkbox"/>	2	1	918130	Top Pole Section
<input type="checkbox"/>	3	1	918133	Middle Pole Section with Label
<input type="checkbox"/>	4	1	918132	Bottom Pole Section
<input type="checkbox"/>	5	1	203099	Nut, Ny-Lock, 5/16-18
<input type="checkbox"/>	6	1		Net
<input type="checkbox"/>	7	1	20378701	Cap, Pole
<input type="checkbox"/>	8	3	203223	Bolt, Carriage, 5/16-18 x 1" Long
<input type="checkbox"/>	9	1	203617	Cap, Tank
<input type="checkbox"/>	10	1	203740	Bolt, Hex, 5/16-18 x 2.63" Long
<input type="checkbox"/>	11	2	201344	Knob, Plastic, 3-sided
<input type="checkbox"/>	12	1		Rim
<input type="checkbox"/>	13	1		Backboard
<input type="checkbox"/>	14	1	908134	Backboard Mounting Bracket
<input type="checkbox"/>	15	1	908129	Rim Bracket
<input type="checkbox"/>	16	2	203739	Bolt, Carriage 5/16-18 x 3.25" Long
<input type="checkbox"/>	17	4	203218	Washer, Flat, 5/16
<input type="checkbox"/>	18	1	203309	Washer, Flat, 1.0" O.D.
<input type="checkbox"/>	19	1	203679	Bolt, Hex, 3/8-16 x 2" Long
<input type="checkbox"/>	20	3	203100	Nut, Flange, 5/16-18
<input type="checkbox"/>	21	1	910454	Strut, Left
<input type="checkbox"/>	22	1	910255	Strut, Right
<input type="checkbox"/>	23	1	204178	Label, Height Adjustment

* You may have extra parts with this model.

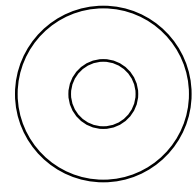
PARTS IDENTIFIER- Actual Size



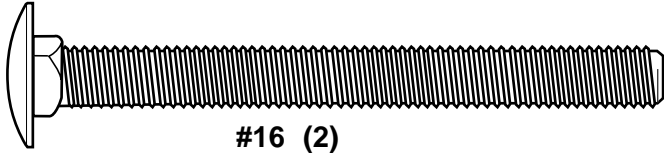
#8 (3)



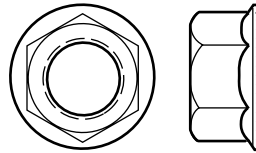
#5 (1)



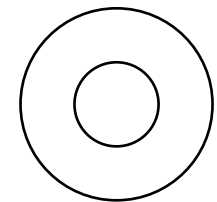
#17 (4)



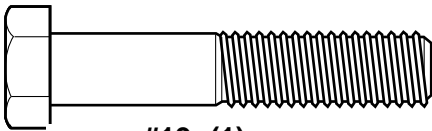
#16 (2)



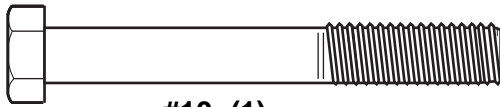
#20 (3)



#18 (1)

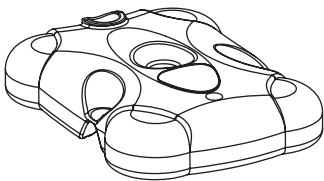


#19 (1)



#10 (1)

PARTS IDENTIFIER- Not Actual Size



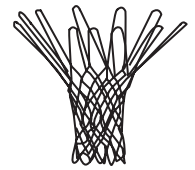
#1 (1)



#21 (1)



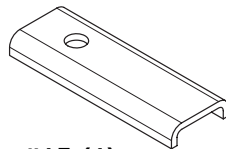
#22 (1)



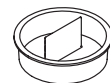
#6 (1)



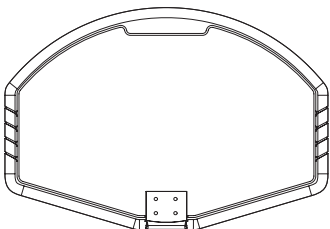
#11 (2)



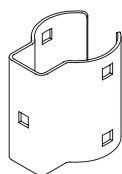
#15 (1)



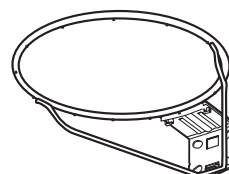
#9 (1)



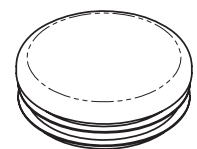
#13 (1)



#14 (1)



#12 (1)

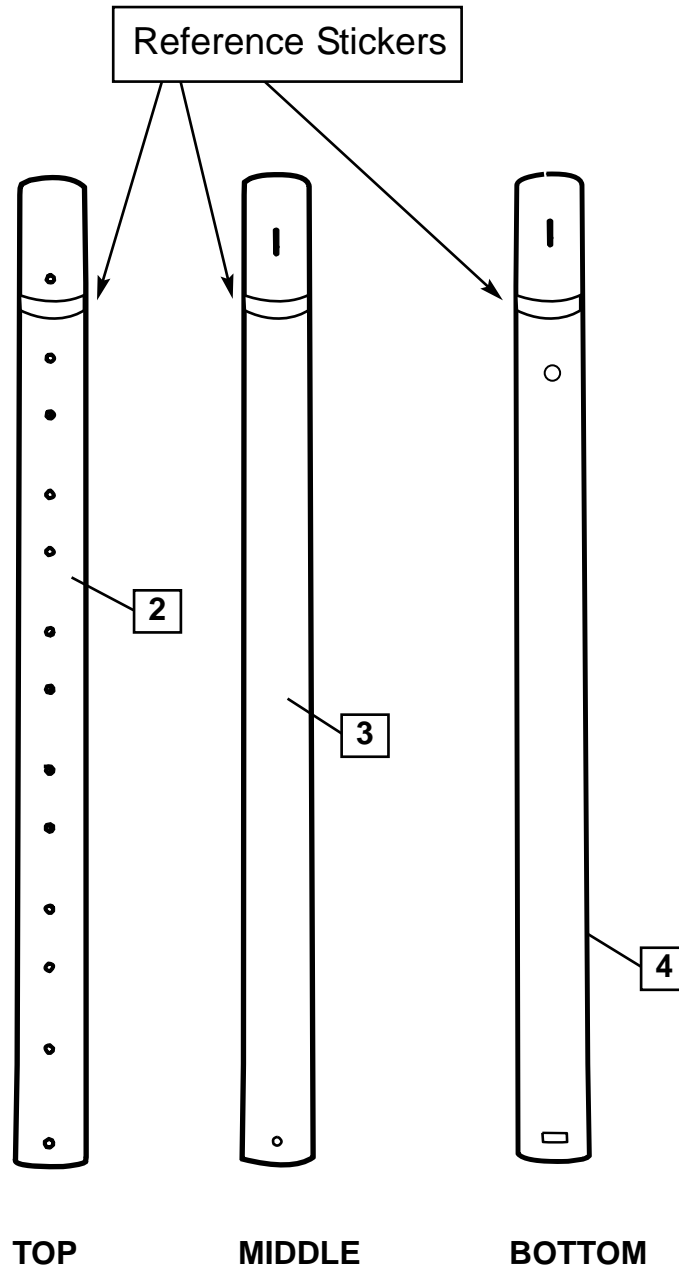


#7 (1)

SECTION A: ASSEMBLE THE POLES

1.


Correctly identify each pole section. Poles have an identification sticker that will be used as a reference point in the next step.



IMPORTANT!

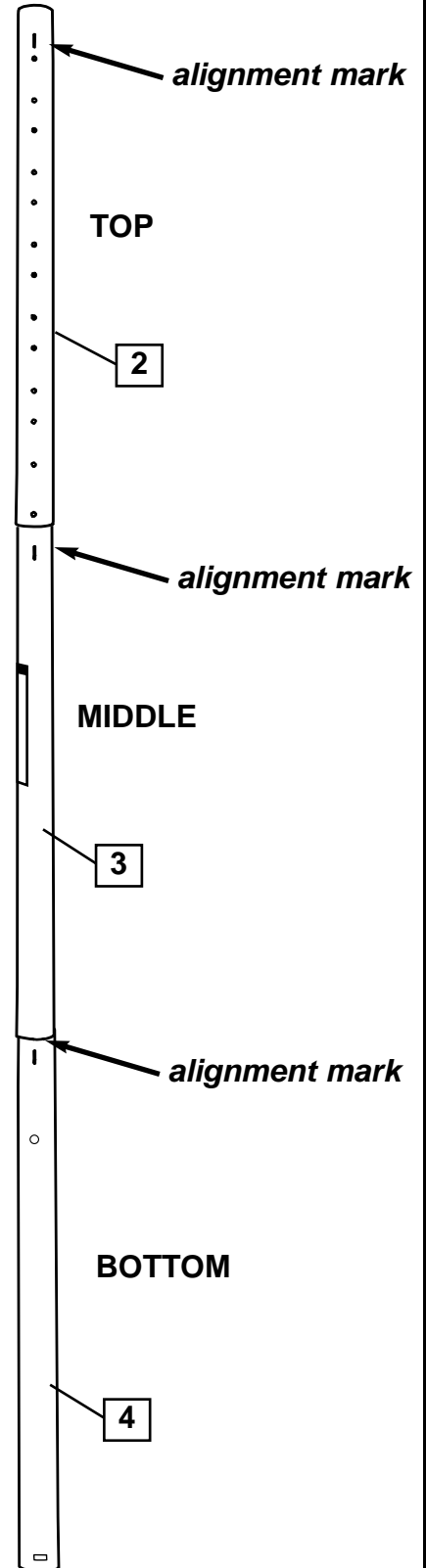
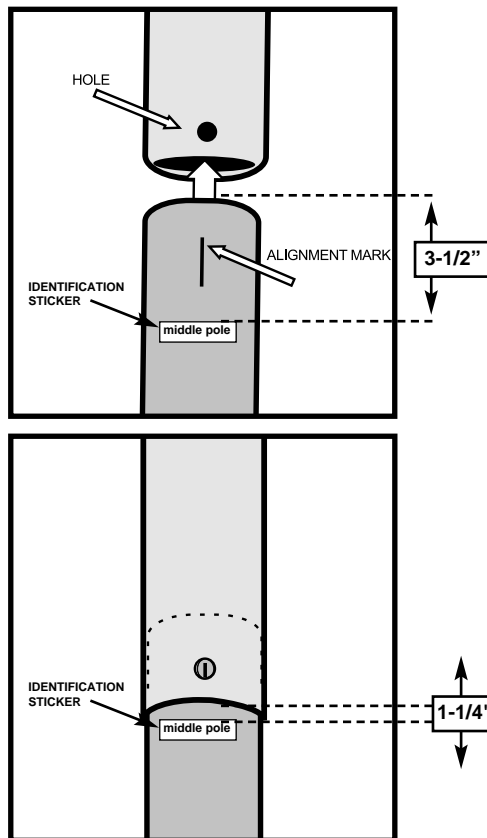
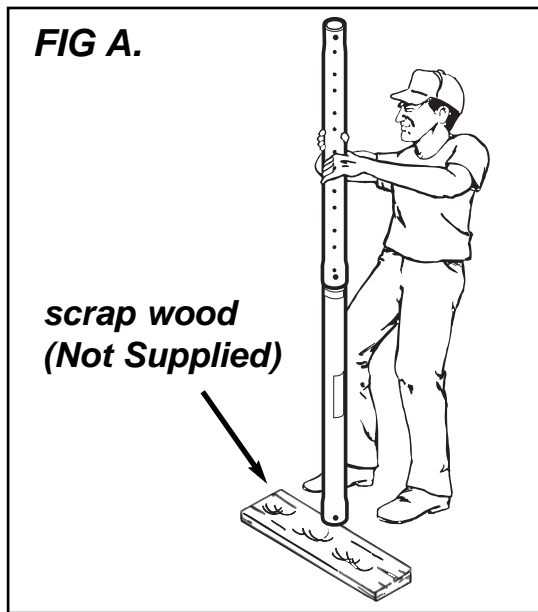
ONCE POLE SECTIONS ARE POUNDED TOGETHER- THEY CANNOT BE TAKEN APART

2. Align poles using *alignment marks*. First, pound top and middle poles together by bouncing them on a scrap piece of wood on the ground as shown in **FIG A.** until they no longer move toward pole identification stickers. **THEN** add bottom pole section and pound together in the same way.



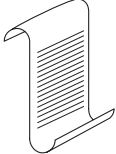
CAUTION!

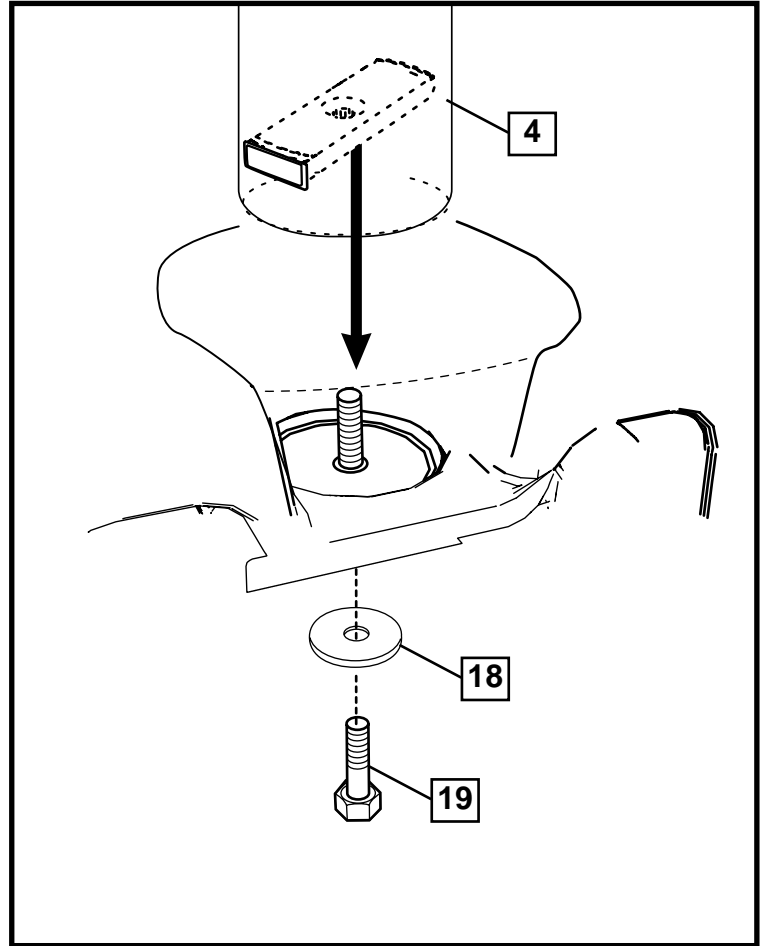
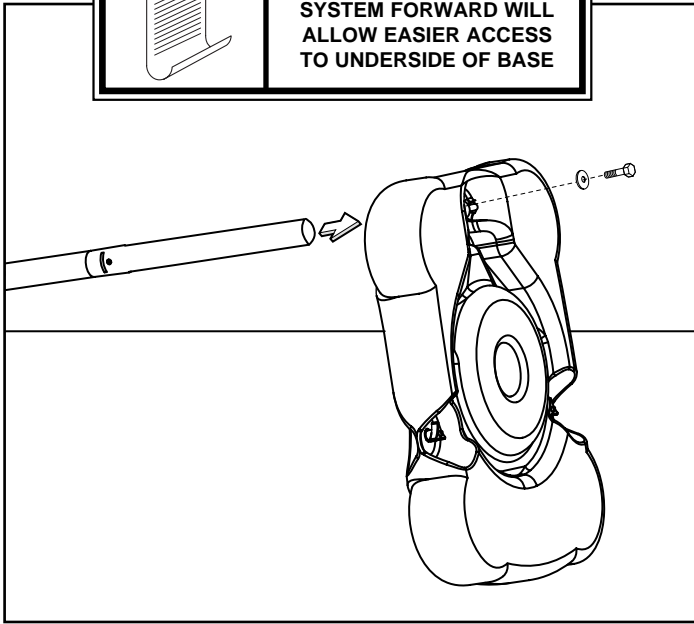
THE IDENTIFICATION STICKER IS LOCATED 3-3/4" FROM THE END OF THE POLE. WHEN PROPERLY POUNDED TOGETHER, THE POLE SECTIONS SHOULD HAVE A 2-1/2" MINIMUM OVERLAP, LEAVING 1-1/4" BETWEEN THE OVERLAPPING POLE AND THE IDENTIFICATION STICKER.



3.

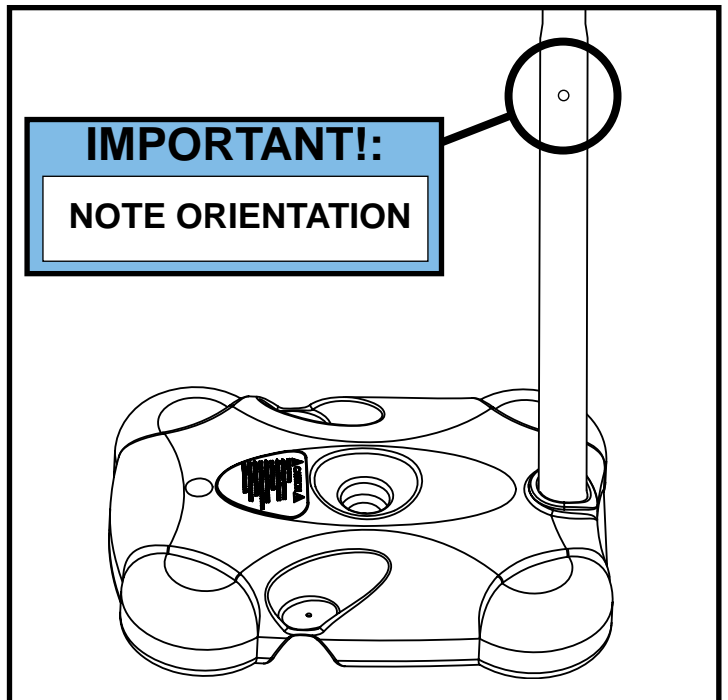
Attach pole assembly to tank as shown. Secure pole assembly to tank by turning the pole assembly clockwise as shown.

 **NOTE:**
CAREFULLY TIPPING THE SYSTEM FORWARD WILL ALLOW EASIER ACCESS TO UNDERSIDE OF BASE



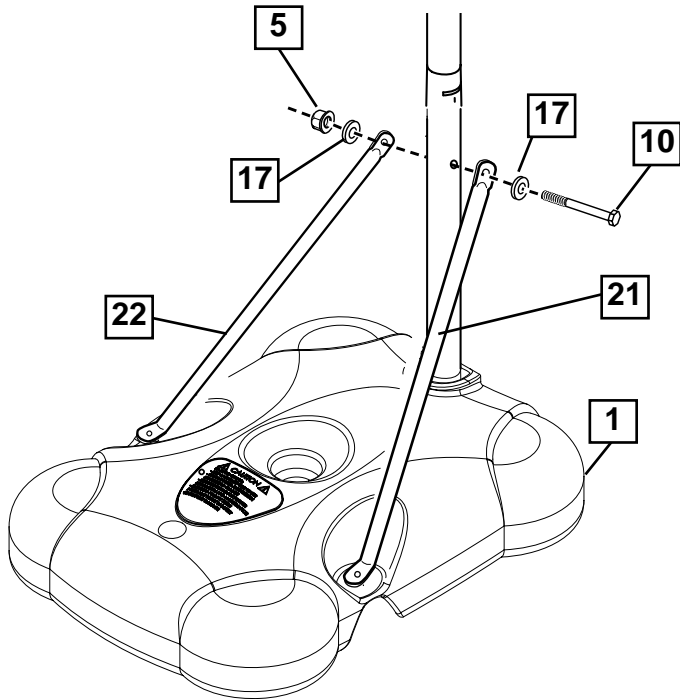
 **WARNING!**
TWO PEOPLE REQUIRED FOR THIS PROCEDURE. FAILURE TO FOLLOW THIS WARNING COULD RESULT IN SERIOUS INJURY AND/OR PROPERTY DAMAGE.

IMPORTANT!:
NOTE ORIENTATION



4.

Secure tank struts (21 & 22) to pole.



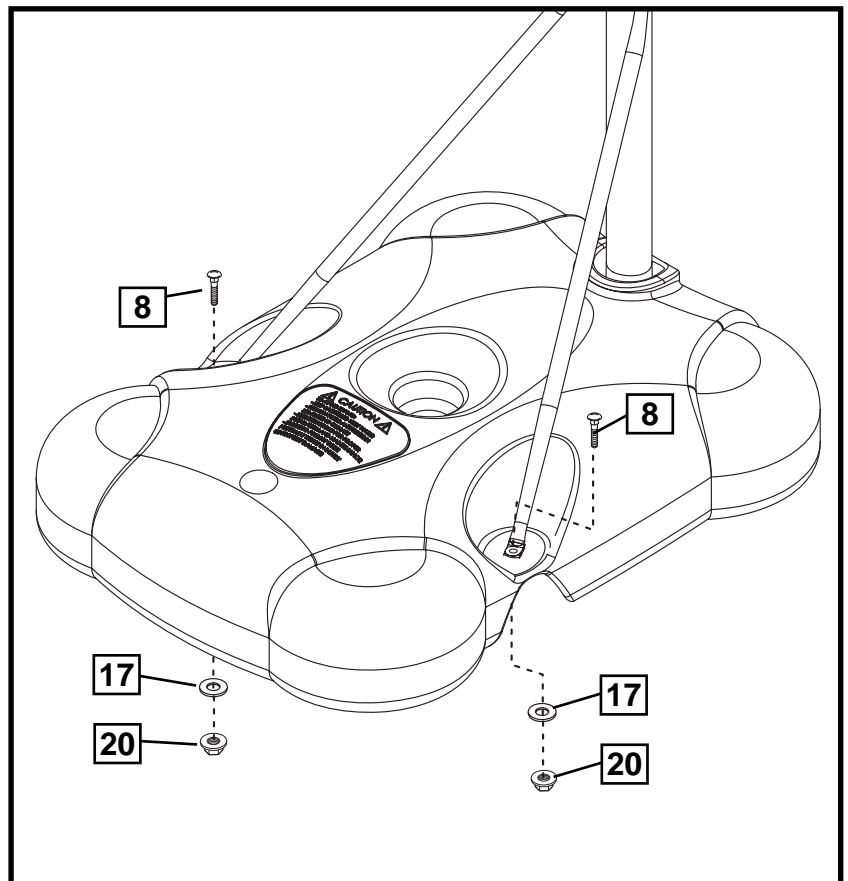
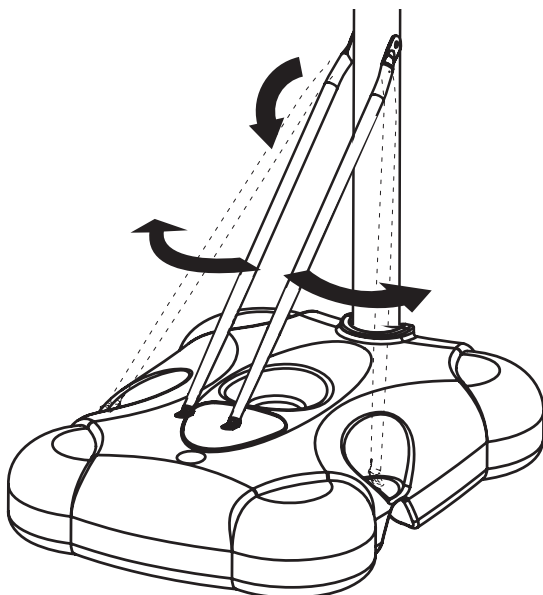
! WARNING!

TIGHTEN BOLT (10) IN LOCK NUT (5) UNTIL FLUSH (EVEN) WITH LOCK NUT'S OUTER EDGE.

FAILURE TO FOLLOW THIS WARNING COULD RESULT IN SERIOUS INJURY AND/OR PROPERTY DAMAGE.

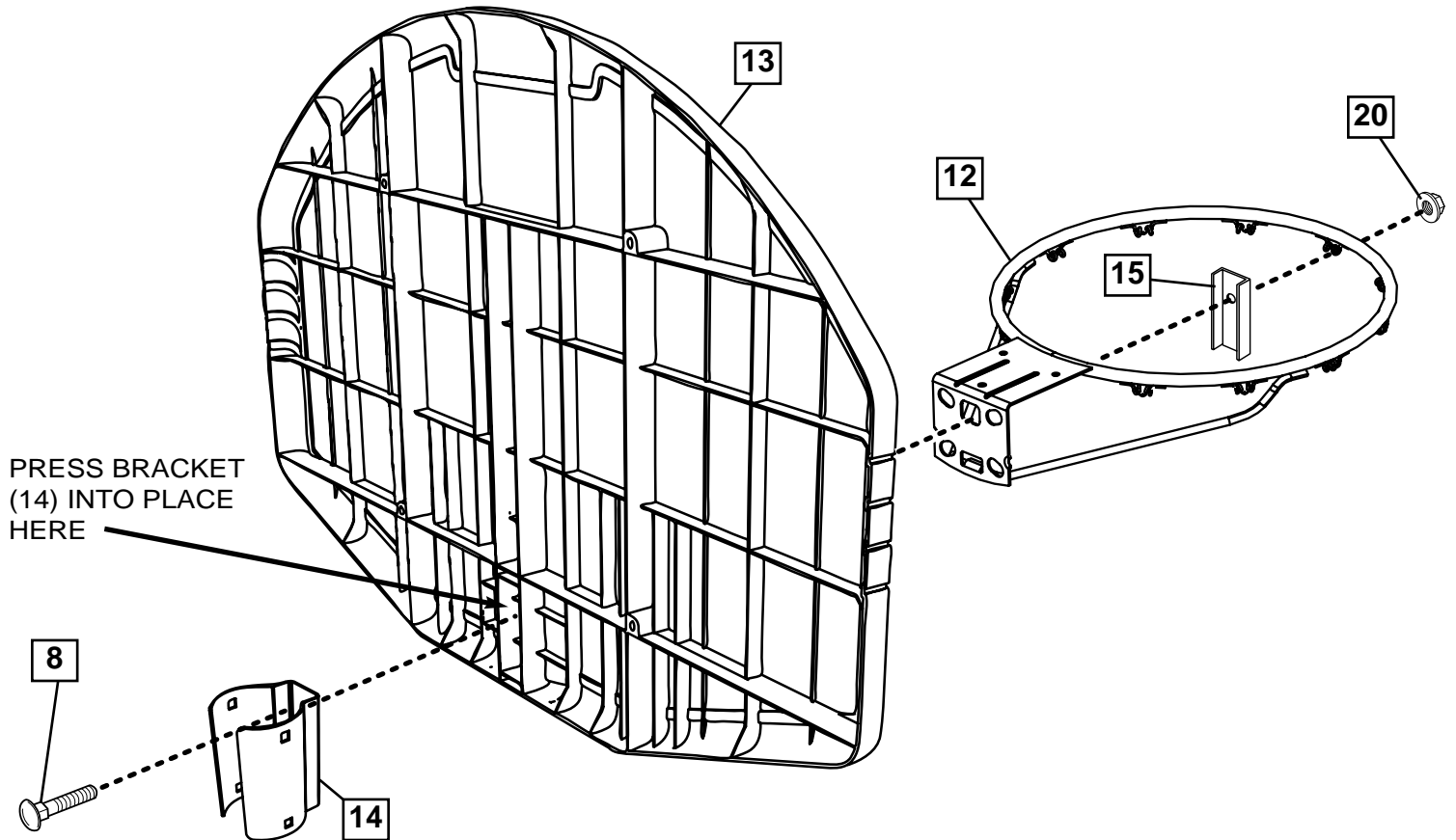
5.

Rotate struts down and bend struts outward to line up with holes on base as shown. Secure free ends of tank struts to tank with carriage bolt (8), and nut (20) as shown. Repeat for other side.

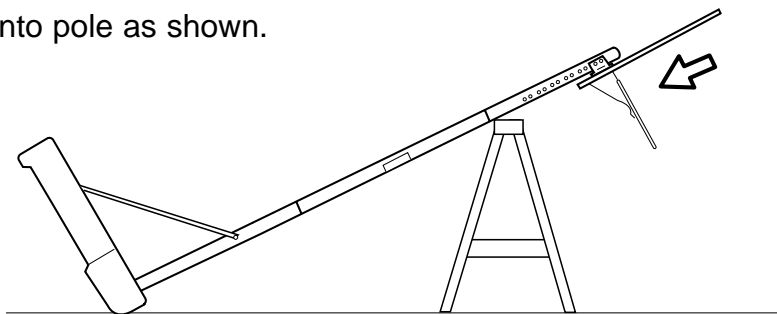


6.

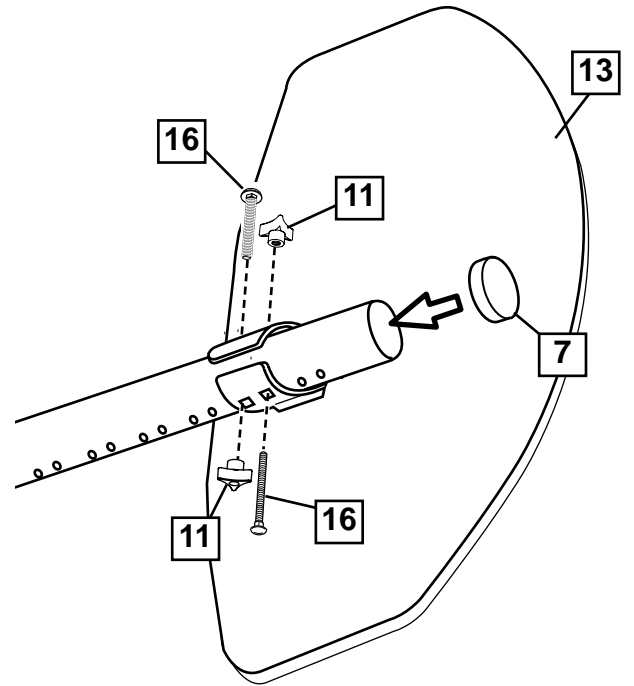
Pole bracket will need to be lightly pressed into backboard ribbing. Be sure to press completely into place. Attach rim to backboard and pole bracket (14) with nut (20), reinforcement bracket (15), and carriage bolt (8) as shown. Tighten nut completely.



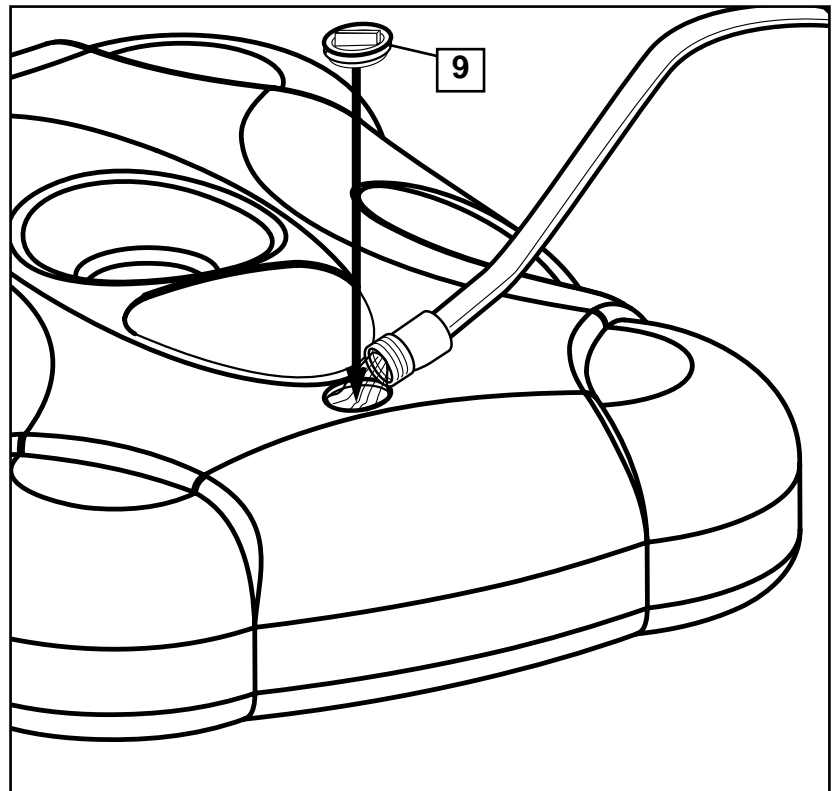
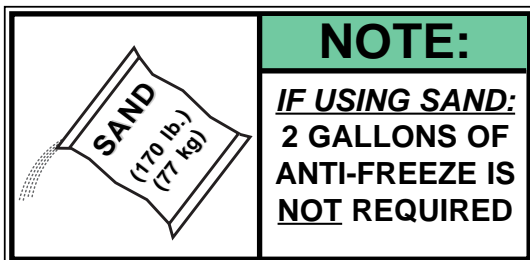
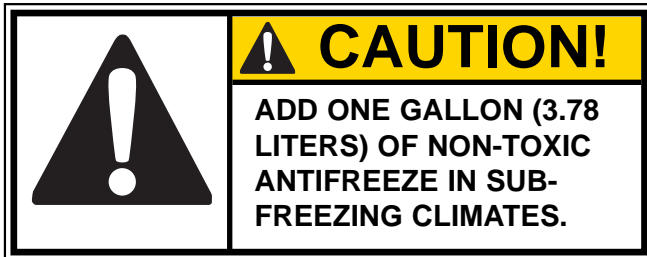
Carefully tip unit forward and slide backboard assembly onto pole as shown.



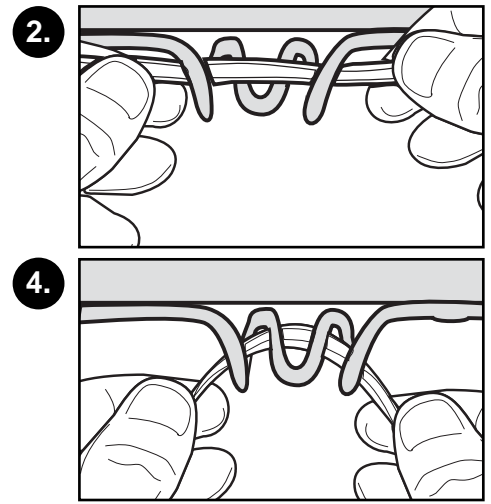
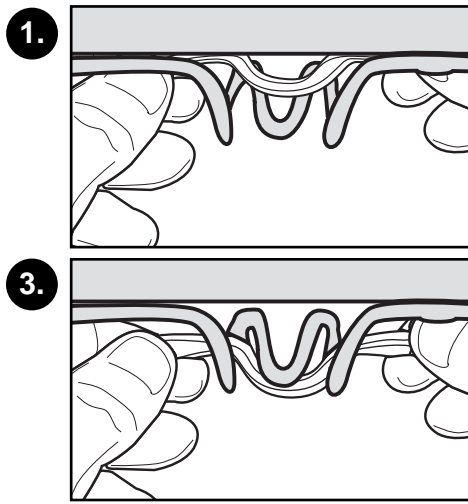
- 7.** Attach board assembly to pole with carriage bolts (16) and knobs (11) as shown. Install pole cap (7) as shown.



- 8.** Place assembled unit in desired location. Fill tank completely with water (14 gallons/53 liters) or sand (approx. 170 lb./77 kg) and snap tank cap (9) in place.



9. Install net (6).



10. Attach height and moving label (23) to front of pole as shown. Regulation rim height is 10 feet.

WARNING!
READ AND UNDERSTAND
FAILURE TO FOLLOW OPERATING INSTRUCTIONS COULD RESULT IN INJURY OR DAMAGE TO PROPERTY.

23

HEIGHT ADJUSTMENT
Rise unit on support table. Remove adjustment knobs (A) and carriage bolts (B) to allow to reach backboard and rim. Height adjustment from 4'-10" - 8'-10".

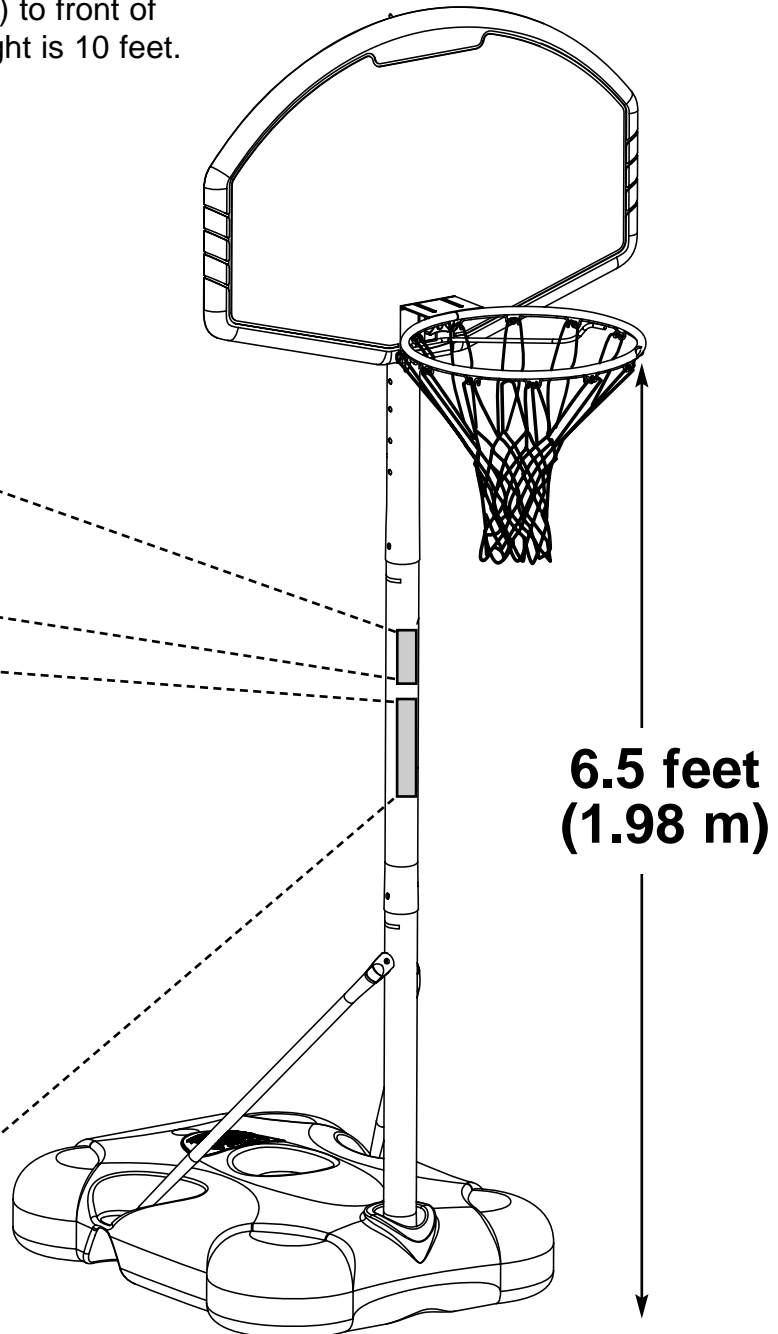
WARNING
Backboard may vibrate during height adjustment.

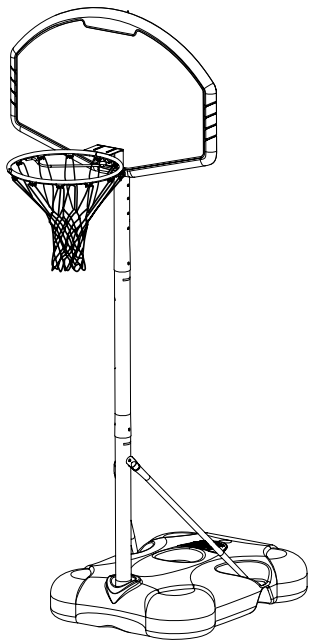
WARNING
Do not adjust height of system in upright position. System must be in down position to adjust.

WARNING
FAILURE TO FOLLOW THESE WARNINGS MAY RESULT IN SERIOUS INJURY AND/OR PROPERTY DAMAGE.
Owner must ensure that all players know and follow these rules for safe operation of the system.

- DO NOT HANG on the rim or any part of the system including backboard, support braces or net.
- During play, especially when performing dunk type activities, keep player's face away from the backboard, rim and net. Serious injury could occur if teeth/faces come in contact with backboard, rim or net.
- Do not slide, climb, shake or play on base and/or pole.
- After assembly is complete, fill system completely with water or sand. Never leave system in an upright position without filling base with weight, as system may tip over causing injuries.
- When adjusting height or moving system, keep hands and fingers away from moving parts.
- Do not allow children to move or adjust system.
- During play, do not wear jewelry (rings, watches, necklaces, etc.). Objects may entangle in net.
- Surface beneath the base must be smooth and free of gravel or other sharp objects. Punctures cause leakage and could cause system to tip over.
- Keep organic material away from pole base. Grass, litter, etc. could cause corrosion and/or deterioration.
- Check pole system for signs of corrosion (rust, pitting, chipping) and repaint with exterior enamel paint. If rust has penetrated through the steel anywhere, replace pole immediately.
- Check system before each use for proper ballast, loose hardware, excessive wear and signs corrosion and repair before use.
- Check system before each use for instability.
 - Do not use system during windy and/or severe weather conditions; system may tip over. Place system in the storage position and/or in an area protected from the wind and free from personal property and/or overhead wires.
- Never play on damaged equipment.
- See instruction manual for proper installation and maintenance.
- When moving system, use caution to keep mechanism from shifting.
- Keep pole top covered with cap at all times.
- Do not allow water in tank to freeze. During sub-freezing weather, add non-toxic antifreeze, sand or empty tank completely and store. (Do not use salt.)
- Use extreme caution if placing system on sloped surface. System may tip over more easily.

HUFFY SPORTS
In the U.S.: 1-800-558-5234 and Canada: 1-800-284-8339
203782 0504





**FRANÇAIS
DEUTSCH
ESPAÑOL**

HUFFY[®]SPORTS

UNE DIVISION DE LA RUSSELL CORPORATION
EINE ABTEILUNG DER RUSSELL CORPORATION
UNA DIVISIÓN DE RUSSELL CORPORATION

Système portable - Manuel de l'utilisateur

Service clientèle

• N53 W24700 South Corporate Circle • Sussex, WI 53089 • É.-U.

Gebrauchsanleitung für tragbare Systeme

Kundendienstzentrale

• N53 W24700 South Corporate Circle • Sussex, WI 53089 • U.S.A.

Manual del Propietario del Sistema Portátil

Centro de Servicio al Cliente

• N53 W24700 South Corporate Circle • Sussex, WI 53089 • EE.UU.



**AVERTISSEMENT !
WARNUNG!
¡ADVERTENCIA!**



LISEZ CE MANUEL D'UTILISATION AVANT D'UTILISER CET APPAREIL

SOUS PEINE DE BLESSURES OU DE DÉGÂTS MATÉRIELS.

DAS BENUTZERHANDBUCH VOR GEBRAUCH DIESES PRODUKTS SORGFÄLTIG DURCHLESEN.

EIN MISSACHTEN DIESER BETRIEBSANLEITUNG KANN VERLETZUNGEN ODER SACHSCHÄDEN ZUR FOLGE HABEN.

LEA Y ENTIENDA EL MANUAL DEL OPERADOR ANTES DE USAR ESTA UNIDAD.

SI NO SE SIGUEN LAS INSTRUCCIONES DE OPERACIÓN SE PODRÍA OCASIONAR UNA LESIÓN O DAÑOS A LA PROPIEDAD.

Inscrivez ici le numéro de modèle qui apparaît sur la boîte:

Die Modellnummer vom Verpackungskarton hier eintragen:

Escriba aquí el número de modelo que viene en la caja:

Numéro vert du Service clientèle - États-Unis : 1-800-558-5234, Canada : 1-800-2284-8339,
Europe : 00 800 555 85234 (Suède : 009 555 85234), Australie : 1-800-632 7921 Adresse Internet : <http://www.huffysports.com>

Gebührenfreie Telefonnummer für die USA: 1-800-558-5234, für Kanada: 1-800-284-8339, für Europa: 00 800 555 85234
(Schweden: 009 555 85234), für Australien: 1-800-632 7921 Internet-Adresse: <http://www.huffysports.com>

Número telefónico sin costo del Departamento de Servicio al Cliente en EE.UU.: 1-800-558-5234,
Para Canadá: 1-800-284-8339, Para Europa: 00 800 555 85234 (Suecia: 009 555 85234), Para Australia: 1-800-632 7921
Dirección en Internet: <http://www.huffysports.com>

**OUTILS ET MATÉRIEL
REQUIS:**



• Deux personnes



• Planche en bois (chute)



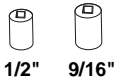
• Chevalet de sciage ou
table

• Deux clés et/ou clés à douilles et
deux douilles (douilles longues
recommandées).



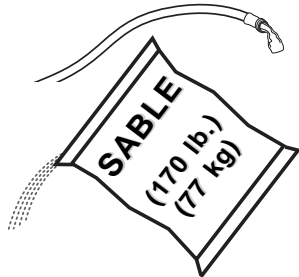
1/2" 9/16"

ET/OU



1/2" 9/16"

• Tuyau d'arrosage ou sable



**BENÖTIGTE WERKZEUGE
UND MATERIALIEN:**



• 2 Personen



• Holzstück (Ausschuß)



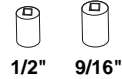
• Sägebock oder Stütztisch

• (je 2) Schrauben - und/oder Steckschlüssel
(tiefe Einsätze empfohlen).



1/2" 9/16"

UND/ODER



1/2" 9/16"

• Gartenschlauch oder Sand



**HERRAMIENTAS Y
MATERIALES REQUERIDOS:**



• 2 personas



• Tabla de madera (un
trozo)



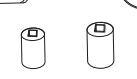
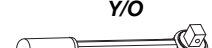
• Caballete o mesa de
apoyo

• (2 de cada una) llaves de tuercas
y/o llaves de tuercas de boca
tubular y casquillos (se
recomiendan casquillos profundos).



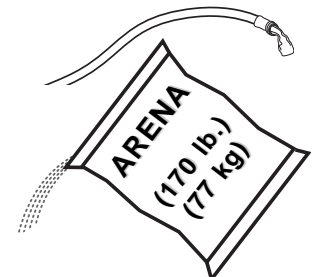
1/2" 9/16"

Y/O



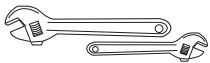
1/2" 9/16"

• Manguera de jardín o arena



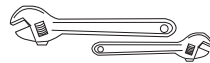
**OUTILS ET MATÉRIEL
FACULTATIFS:**

• Petites et grandes clés anglaises



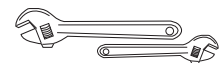
**WEITERE NÜTZLICHE
WERKZEUGE UND MATERIALIEN:**

• Große und kleine verstellbare
Schraubenschlüssel



**HERRAMIENTAS Y
MATERIALES OPCIONALES:**

• Llaves de tuercas ajustables
grandes y pequeñas



AVERTISSEMENT

SUIVEZ CES AVERTISSEMENTS SOUS PEINE DE PROVOQUER DES BLESSURES GRAVES ET/OU DES DEGATS MATERIELS.

- Le propriétaire du système doit s'assurer que tous les joueurs connaissent et suivent ces consignes d'utilisation sûre du système.*
- **NE VOUS SUSPENDREZ PAS** sur le cerceau ou sur toute autre partie du système, y compris le panneau, les supports ou le filet. Durant le jeu, en particulier lorsque vous faites des smash, gardez le visage à l'écart du panneau, du cerceau et du filet. Des blessures graves sont possibles si les dents ou le visage viennent à entrer en contact avec le panneau, le cerceau ou le filet.
 - Ne glissez et ne montez pas sur le socle et/ou le poteau, ne les secouez pas et ne jouez pas dessus.
 - Une fois le montage terminé, remplissez complètement le système d'eau ou de sable et fixez-le au sol à l'aide du piquet. Ne laissez jamais le système à la verticale sans avoir lesté le socle, car il risquerait de se renverser et de causer des blessures.
 - Lorsque vous réglez la hauteur ou que vous déplacez le système, gardez les mains et les doigts à l'écart des pièces en mouvement.
 - Ne laissez pas des enfants déplacer ou régler le système.
 - Avant le jeu, retirez vos bijoux (bagues, montres, colliers, etc.). Cas objets risquent de se prendre dans le filet.
 - La surface sous le socle doit être lisse et sans gravier ou autres objets pointus. Les perforations causeront des fuites et risquent de faire basculer le système.
 - Maintenez les substances organiques à l'écart du socle du poteau. L'herbe, les déchets, etc. risquent de causer la corrosion et/ou la détérioration du système.
 - Vérifiez l'état du système (signes de corrosion comme rouille, piqûres, écaillage) et repeignez avec de la peinture émail pour extérieur. Si la rouille a pénétré en tout point de l'acier, remplacez immédiatement le poteau.
 - Vérifiez le système avant chaque utilisation (lest, visserie mal serrée, usure excessive et signes de corrosion) et réparez avant utilisation.
 - Vérifiez la stabilité du système avant chaque utilisation.
 - Il risque de se renverser. Placez le système en position de stockage et/ou dans un endroit protégé du vent et à l'écart de biens personnels et/ou de fils suspendus.
 - Ne jouez jamais sur du matériel abîmé.
 - Pour les instructions d'installation et d'entretien, reportez-vous au guide fourni.
 - Lorsque vous déplacez le système, soyez prudent pour empêcher le mécanisme de se déséquilibrer.
 - Maintenez le poteau bouché à tout moment.
 - Ne laissez pas geler l'eau du socle. Lorsqu'il fait très froid, ajoutez de l'antigel ou du sable, ou videz complètement le socle et rangez-le. (N'utilisez pas de sel.)
 - Soyez extrêmement prudent si vous placez le système sur une dénivelité. Le système risque de se renverser plus facilement.

HUFFYSPORTS

203782 03/04

! WARNUNG

EIN MISSACHTEN DIESER WARNUNG KANN ZU SCHWEREN VERLETZUNGEN UNDOODER SACHSCHÄDEN FÜHREN UND MACHT DIE GARANTIE UNWIRKSAM

Der Eigentümer muß sicherstellen, daß alle Spieler diese Regeln für einen sicheren Betrieb des Systems kennen und befolgen.

- **NICHT** am Korbrand oder irgendeinem anderen Teil des Systems, einschließlich Korbrand, Stützstreben oder Netz HÄNGEN.
- Während des Spielbetriebs, besonders bei Slam-Dunk-Manövern, müssen die Spieler ihr Gesicht von Korbrand, Korbrand und Netz fernhalten. Der Kontakt von Zähnen/Gesicht mit der Korbrand, dem Korbrand oder dem Netz kann schwere Verletzungen zur Folge haben.
- Nicht auf dem Sockel und/oder der Stange herumrutschen, klettern, daran rütteln oder damit spielen.
- Nach dem Zusammenbau des System ganz mit Wasser oder Sand füllen und im Boden verankern. Das System niemals in aufrechter Position stehen lassen, ohne den Sockel zu beschweren, da es andernfalls umkippen und Verletzungen verursachen kann.
- Beim Einstellen der Höhe oder beim Transport des Systems Hände und Finger von beweglichen Teilen fernhalten.
- Kindern sollte das Verschieben oder Einstellen des Systems nicht gestattet werden.
- Beim Spielen keinen Schmuck (Ringe, Armbanduhren, Halsketten usw.) tragen. Gegenstände dieser Art können sich im Netz verfangen.
- Die Oberfläche unter dem Sockel muß glatt und frei von Kies oder anderen scharfkantigen Gegenständen sein. Löcher können zu Organische Materialien vom Stangensockel fernhalten. Gras, Abfälle, usw. können Korrosion und/oder Abbaureinigungen verursachen.
- Das Stangensystem auf Anzeichen von Korrosion (Rost, Narbenbildung, Abblättern) untersuchen und mit Emailaußenfarbe neu lackieren. Wenn sich Rost an irgendeiner Stelle durch den Stahl durchgefressen hat, ist die Stange sofort auszutauschen.
- Das System vor jeder Benutzung auf den richtigen Ballast, lose Befestigungsteile, übermäßige Abnutzungserscheinungen und Anzeichen von Korrosion untersuchen; vor jedem Einsatz.
- Die Stabilität des System vor jedem Gebrauch überprüfen.
- Die Stabilität des System vor jedem Gebrauch überprüfen.
- Die Stabilität des System vor jedem Gebrauch überprüfen.
- Die Stabilität des System vor jedem Gebrauch überprüfen.
- Die Stabilität des System vor jedem Gebrauch überprüfen.
- Die Stabilität des System vor jedem Gebrauch überprüfen.
- Die Stabilität des System vor jedem Gebrauch überprüfen.
- Die Stabilität des System vor jedem Gebrauch überprüfen.
- Die Stabilität des System vor jedem Gebrauch überprüfen.
- Die Stabilität des System vor jedem Gebrauch überprüfen.
- Die Stabilität des System vor jedem Gebrauch überprüfen.
- Die Stabilität des System vor jedem Gebrauch überprüfen.
- Die Stabilität des System vor jedem Gebrauch überprüfen.
- Die Stabilität des System vor jedem Gebrauch überprüfen.
- Die Stabilität des System vor jedem Gebrauch überprüfen.
- Die Stabilität des System vor jedem Gebrauch überprüfen.
- Die Stabilität des System vor jedem Gebrauch überprüfen.
- Die Stabilität des System vor jedem Gebrauch überprüfen.
- Die Stabilität des System vor jedem Gebrauch überprüfen.
- Die Stabilität des System vor jedem Gebrauch überprüfen.
- Die Stabilität des System vor jedem Gebrauch überprüfen.
- Die Stabilität des System vor jedem Gebrauch überprüfen.
- Die Stabilität des System vor jedem Gebrauch überprüfen.
- Die Stabilität des System vor jedem Gebrauch überprüfen.
- Die Stabilität des System vor jedem Gebrauch überprüfen.
- Die Stabilität des System vor jedem Gebrauch überprüfen.
- Die Stabilität des System vor jedem Gebrauch überprüfen.
- Die Stabilität des System vor jedem Gebrauch überprüfen.
- Die Stabilität des System vor jedem Gebrauch überprüfen.
- Die Stabilität des System vor jedem Gebrauch überprüfen.
- Die Stabilität des System vor jedem Gebrauch überprüfen.
- Die Stabilität des System vor jedem Gebrauch überprüfen.
- Die Stabilität des System vor jedem Gebrauch überprüfen.
- Die Stabilität des System vor jedem Gebrauch überprüfen.
- Die Stabilität des System vor jedem Gebrauch überprüfen.
- Die Stabilität des System vor jedem Gebrauch überprüfen.
- Die Stabilität des System vor jedem Gebrauch überprüfen.
- Die Stabilität des System vor jedem Gebrauch überprüfen.
- Die Stabilität des System vor jedem Gebrauch überprüfen.
- Die Stabilität des System vor jedem Gebrauch überprüfen.
- Die Stabilität des System vor jedem Gebrauch überprüfen.
- Die Stabilität des System vor jedem Gebrauch überprüfen.
- Die Stabilität des System vor jedem Gebrauch überprüfen.
- Die Stabilität des System vor jedem Gebrauch überprüfen.
- Die Stabilität des System vor jedem Gebrauch überprüfen.
- Die Stabilität des System vor jedem Gebrauch überprüfen.
- Die Stabilität des System vor jedem Gebrauch überprüfen.
- Die Stabilität des System vor jedem Gebrauch überprüfen.
- Die Stabilität des System vor jedem Gebrauch überprüfen.
- Die Stabilität des System vor jedem Gebrauch überprüfen.
- Die Stabilität des System vor jedem Gebrauch überprüfen.
- Die Stabilität des System vor jedem Gebrauch überprüfen.
- Die Stabilität des System vor jedem Gebrauch überprüfen.
- Die Stabilität des System vor jedem Gebrauch überprüfen.
- Die Stabilität des System vor jedem Gebrauch überprüfen.
- Die Stabilität des System vor jedem Gebrauch überprüfen.
- Die Stabilität des System vor jedem Gebrauch überprüfen.
- Die Stabilität des System vor jedem Gebrauch überprüfen.
- Die Stabilität des System vor jedem Gebrauch überprüfen.
- Die Stabilität des System vor jedem Gebrauch überprüfen.
- Die Stabilität des System vor jedem Gebrauch überprüfen.
- Die Stabilität des System vor jedem Gebrauch überprüfen.
- Die Stabilität des System vor jedem Gebrauch überprüfen.
- Die Stabilität des System vor jedem Gebrauch überprüfen.
- Die Stabilität des System vor jedem Gebrauch überprüfen.
- Die Stabilität des System vor jedem Gebrauch überprüfen.
- Die Stabilität des System vor jedem Gebrauch überprüfen.
- Die Stabilität des System vor jedem Gebrauch überprüfen.
- Die Stabilität des System vor jedem Gebrauch überprüfen.
- Die Stabilität des System vor jedem Gebrauch überprüfen.
- Die Stabilität des System vor jedem Gebrauch überprüfen.
- Die Stabilität des System vor jedem Gebrauch überprüfen.
- Die Stabilität des System vor jedem Gebrauch überprüfen.
- Die Stabilität des System vor jedem Gebrauch überprüfen.
- Die Stabilität des System vor jedem Gebrauch überprüfen.
- Die Stabilität des System vor jedem Gebrauch überprüfen.
- Die Stabilität des System vor jedem Gebrauch überprüfen.
- Die Stabilität des System vor jedem Gebrauch überprüfen.
- Die Stabilität des System vor jedem Gebrauch überprüfen.
- Die Stabilität des System vor jedem Gebrauch überprüfen.
- Die Stabilität des System vor jedem Gebrauch überprüfen.
- Die Stabilität des System vor jedem Gebrauch überprüfen.
- Die Stabilität des System vor jedem Gebrauch überprüfen.
- Die Stabilität des System vor jedem Gebrauch überprüfen.
- Die Stabilität des System vor jedem Gebrauch überprüfen.
- Die Stabilität des System vor jedem Gebrauch überprüfen.
- Die Stabilität des System vor jedem Gebrauch überprüfen.
- Die Stabilität des System vor jedem Gebrauch überprüfen.
- Die Stabilität des System vor jedem Gebrauch überprüfen.
- Die Stabilität des System vor jedem Gebrauch überprüfen.
- Die Stabilität des System vor jedem Gebrauch überprüfen.
- Die Stabilität des System vor jedem Gebrauch überprüfen.
- Die Stabilität des System vor jedem Gebrauch überprüfen.
- Die Stabilität des System vor jedem Gebrauch überprüfen.
- Die Stabilität des System vor jedem Gebrauch überprüfen.
- Die Stabilität des System vor jedem Gebrauch überprüfen.
- Die Stabilität des System vor jedem Gebrauch überprüfen.
- Die Stabilität des System vor jedem Gebrauch überprüfen.
- Die Stabilität des System vor jedem Gebrauch überprüfen.
- Die Stabilität des System vor jedem Gebrauch überprüfen.
- Die Stabilität des System vor jedem Gebrauch überprüfen.
- Die Stabilität des System vor jedem Gebrauch überprüfen.
- Die Stabilität des System vor jedem Gebrauch überprüfen.
- Die Stabilität des System vor jedem Gebrauch überprüfen.
- Die Stabilität des System vor jedem Gebrauch überprüfen.
- Die Stabilität des System vor jedem Gebrauch überprüfen.
- Die Stabilität des System vor jedem Gebrauch überprüfen.
- Die Stabilität des System vor jedem Gebrauch überprüfen.
- Die Stabilität des System vor jedem Gebrauch überprüfen.
- Die Stabilität des System vor jedem Gebrauch überprüfen.
- Die Stabilität des System vor jedem Gebrauch überprüfen.
- Die Stabilität des System vor jedem Gebrauch überprüfen.
- Die Stabilität des System vor jedem Gebrauch überprüfen.
- Die Stabilität des System vor jedem Gebrauch überprüfen.
- Die Stabilität des System vor jedem Gebrauch überprüfen.
- Die Stabilität des System vor jedem Gebrauch überprüfen.
- Die Stabilität des System vor jedem Gebrauch überprüfen.
- Die Stabilität des System vor jedem Gebrauch überprüfen.
- Die Stabilität des System vor jedem Gebrauch überprüfen.
- Die Stabilität des System vor jedem Gebrauch überprüfen.
- Die Stabilität des System vor jedem Gebrauch überprüfen.
- Die Stabilität des System vor jedem Gebrauch überprüfen.
- Die Stabilität des System vor jedem Gebrauch überprüfen.
- Die Stabilität des System vor jedem Gebrauch überprüfen.
- Die Stabilität des System vor jedem Gebrauch überprüfen.
- Die Stabilität des System vor jedem Gebrauch überprüfen.
- Die Stabilität des System vor jedem Gebrauch überprüfen.
- Die Stabilität des System vor jedem Gebrauch überprüfen.
- Die Stabilität des System vor jedem Gebrauch überprüfen.
- Die Stabilität des System vor jedem Gebrauch überprüfen.
- Die Stabilität des System vor jedem Gebrauch überprüfen.
- Die Stabilität des System vor jedem Gebrauch überprüfen.
- Die Stabilität des System vor jedem Gebrauch überprüfen.
- Die Stabilität des System vor jedem Gebrauch überprüfen.
- Die Stabilität des System vor jedem Gebrauch überprüfen.
- Die Stabilität des System vor jedem Gebrauch überprüfen.
- Die Stabilität des System vor jedem Gebrauch überprüfen.
- Die Stabilität des System vor jedem Gebrauch überprüfen.
- Die Stabilität des System vor jedem Gebrauch überprüfen.
- Die Stabilität des System vor jedem Gebrauch überprüfen.
- Die Stabilität des System vor jedem Gebrauch überprüfen.
- Die Stabilität des System vor jedem Gebrauch überprüfen.
- Die Stabilität des System vor jedem Gebrauch überprüfen.
- Die Stabilität des System vor jedem Gebrauch überprüfen.
- Die Stabilität des System vor jedem Gebrauch überprüfen.
- Die Stabilität des System vor jedem Gebrauch überprüfen.
- Die Stabilität des System vor jedem Gebrauch überprüfen.
- Die Stabilität des System vor jedem Gebrauch überprüfen.
- Die Stabilität des System vor jedem Gebrauch überprüfen.
- Die Stabilität des System vor jedem Gebrauch überprüfen.
- Die Stabilität des System vor jedem Gebrauch überprüfen.
- Die Stabilität des System vor jedem Gebrauch überprüfen.
- Die Stabilität des System vor jedem Gebrauch überprüfen.
- Die Stabilität des System vor jedem Gebrauch überprüfen.
- Die Stabilität des System vor jedem Gebrauch überprüfen.
- Die Stabilität des System vor jedem Gebrauch überprüfen.
- Die Stabilität des System vor jedem Gebrauch überprüfen.
- Die Stabilität des System vor jedem Gebrauch überprüfen.
- Die Stabilität des System vor jedem Gebrauch überprüfen.
- Die Stabilität des System vor jedem Gebrauch überprüfen.
- Die Stabilität des System vor jedem Gebrauch überprüfen.
- Die Stabilität des System vor jedem Gebrauch überprüfen.
- Die Stabilität des System vor jedem Gebrauch überprüfen.
- Die Stabilität des System vor jedem Gebrauch überprüfen.
- Die Stabilität des System vor jedem Gebrauch überprüfen.
- Die Stabilität des System vor jedem Gebrauch überprüfen.
- Die Stabilität des System vor jedem Gebrauch überprüfen.
- Die Stabilität des System vor jedem Gebrauch überprüfen.
- Die Stabilität des System vor jedem Gebrauch überprüfen.
- Die Stabilität des System vor jedem Gebrauch überprüfen.
- Die Stabilität des System vor jedem Gebrauch überprüfen.
- Die Stabilität des System vor jedem Gebrauch überprüfen.
- Die Stabilität des System vor jedem Gebrauch überprüfen.
- Die Stabilität des System vor jedem Gebrauch überprüfen.
- Die Stabilität des System vor jedem Gebrauch überprüfen.
- Die Stabilität des System vor jedem Gebrauch überprüfen.
- Die Stabilität des System vor jedem Gebrauch überprüfen.
- Die Stabilität des System vor jedem Gebrauch überprüfen.
- Die Stabilität des System vor jedem Gebrauch überprüfen.
- Die Stabilität des System vor jedem Gebrauch überprüfen.
- Die Stabilität des System vor jedem Gebrauch überprüfen.
- Die Stabilität des System vor jedem Gebrauch überprüfen.
- Die Stabilität des System vor jedem Gebrauch überprüfen.
- Die Stabilität des System vor jedem Gebrauch überprüfen.
- Die Stabilität des System vor jedem Gebrauch überprüfen.
- Die Stabilität des System vor jedem Gebrauch überprüfen.
- Die Stabilität des System vor jedem Gebrauch überprüfen.
- Die Stabilität des System vor jedem Gebrauch überprüfen.
- Die Stabilität des System vor jedem Gebrauch überprüfen.
- Die Stabilität des System vor jedem Gebrauch überprüfen.
- Die Stabilität des System vor jedem Gebrauch überprüfen.
- Die Stabilität des System vor jedem Gebrauch überprüfen.
- Die Stabilität des System vor jedem Gebrauch überprüfen.
- Die Stabilität des System vor jedem Gebrauch überprüfen.
- Die Stabilität des System vor jedem Gebrauch überprüfen.
- Die Stabilität des System vor jedem Gebrauch überprüfen.
- Die Stabilität des System vor jedem Gebrauch überprüfen.
- Die Stabilität des System vor jedem Gebrauch überprüfen.
- Die Stabilität des System vor jedem Gebrauch überprüfen.
- Die Stabilität des System vor jedem Gebrauch überprüfen.
- Die Stabilität des System vor jedem Gebrauch überprüfen.
- Die Stabilität des System vor jedem Gebrauch überprüfen.
- Die Stabilität des System vor jedem Gebrauch überprüfen.
- Die Stabilität des System vor jedem Gebrauch überprüfen.
- Die Stabilität des System vor jedem Gebrauch überprüfen.
- Die Stabilität des System vor jedem Gebrauch überprüfen.
- Die Stabilität des System vor jedem Gebrauch überprüfen.
- Die Stabilität des System vor jedem Gebrauch überprüfen.
- Die Stabilität des System vor jedem Gebrauch überprüfen.
- Die Stabilität des System vor jedem Gebrauch überprüfen.
- Die Stabilität des System vor jedem Gebrauch überprüfen.
- Die Stabilität des System vor jedem Gebrauch überprüfen.
- Die Stabilität des System vor jedem Gebrauch überprüfen.
- Die Stabilität des System vor jedem Gebrauch überprüfen.
- Die Stabilität des System vor jedem Gebrauch überprüfen.
- Die Stabilität des System vor jedem Gebrauch überprüfen.
- Die Stabilität des System vor jedem Gebrauch überprüfen.
- Die Stabilität des System vor jedem Gebrauch überprüfen.
- Die Stabilität des System vor jedem Gebrauch überprüfen.
- Die Stabilität des System vor jedem Gebrauch überprüfen.
- Die Stabilität des System vor jedem Gebrauch überprüfen.
- Die Stabilität des System vor jedem Gebrauch überprüfen.
- Die Stabilität des System vor jedem Gebrauch überprüfen.
- Die Stabilität des System vor jedem Gebrauch überprüfen.
- Die Stabilität des System vor jedem Gebrauch überprüfen.
- Die Stabilität des System vor jedem Gebrauch überprüfen.
- Die Stabilität des System vor jedem Gebrauch überprüfen.
- Die Stabilität des System vor jedem Gebrauch überprüfen.
- Die Stabilität des System vor jedem Gebrauch überprüfen.
- Die Stabilität des System vor jedem Gebrauch überprüfen.
- Die Stabilität des System vor jedem Gebrauch überprüfen.
- Die Stabilität des System vor jedem Gebrauch überprüfen.
- Die Stabilität des System vor jedem Gebrauch überprüfen.
- Die Stabilität des System vor jedem Gebrauch überprüfen.
- Die Stabilität des System vor jedem Gebrauch überprüfen.
- Die Stabilität des System vor jedem Gebrauch überprüfen.
- Die Stabilität des System vor jedem Gebrauch überprüfen.
- Die Stabilität des System vor jedem Gebrauch überprüfen.
- Die Stabilität des System vor jedem Gebrauch überprüfen.
- Die Stabilität des System vor jedem Gebrauch überprüfen.
- Die Stabilität des System vor jedem Gebrauch überprüfen.
- Die Stabilität des System vor jedem Gebrauch überprüfen.
- Die Stabilität des System vor jedem Gebrauch überprüfen.
- Die Stabilität des System vor jedem Gebrauch überprüfen.
- Die Stabilität des System vor jedem Gebrauch überprüfen.
- Die Stabilität des System vor jedem Gebrauch überprüfen.
- Die Stabilität des System vor jedem Gebrauch überprüfen.
- Die Stabilität des System vor jedem Gebrauch überprüfen.
- Die Stabilität des System vor jedem Gebrauch überprüfen.
- Die Stabilität des System vor jedem Gebrauch überprüfen.
- Die Stabilität des System vor jedem Gebrauch überprüfen.
- Die Stabilität des System vor jedem Gebrauch überprüfen.
- Die Stabilität des System vor jedem Gebrauch überprüfen.
- Die Stabilität des System vor jedem Gebrauch überprüfen.
- Die Stabilität des System vor jedem Gebrauch überprüfen.
- Die Stabilität des System vor jedem Gebrauch überprüfen.
- Die Stabilität des System vor jedem Gebrauch überprüfen.
- Die Stabilität des System vor jedem Gebrauch überprüfen.
- Die Stabilität des System vor jedem Gebrauch überprüfen.
- Die Stabilität des System vor jedem Gebrauch überprüfen.
- Die Stabilität des System vor jedem Gebrauch überprüfen.
- Die Stabilität des System vor jedem Gebrauch überprüfen.
- Die Stabilität des System vor jedem Gebrauch überprüfen.
- Die Stabilität des System vor jedem Gebrauch überprüfen.
- Die Stabilität des System vor jedem Gebrauch überprüfen.
- Die Stabilität des System vor jedem Gebrauch überprüfen.
- Die Stabilität des System vor jedem Gebrauch überprüfen.
- Die Stabilität des System vor jedem Gebrauch überprüfen.
- Die Stabilität des System vor jedem Gebrauch überprüfen.
- Die Stabilität des System vor jedem Gebrauch überprüfen.
- Die Stabilität des System vor jedem Gebrauch überprüfen.
- Die Stabilität des System vor jedem Gebrauch überprüfen.
- Die Stabilität des System vor jedem Gebrauch überprüfen.
- Die Stabilität des System vor jedem Gebrauch überprüfen.
- Die Stabilität des System vor jedem Gebrauch überprüfen.
- Die Stabilität des System vor jedem Gebrauch überprüfen.
- Die Stabilität des System vor jedem Gebrauch überprüfen.
- Die Stabilität des System vor jedem Gebrauch überprüfen.
- Die Stabilität des System vor jedem Gebrauch überprüfen.
- Die Stabilität des System vor jedem Gebrauch überprüfen.
- Die Stabilität des System vor jedem Gebrauch überprüfen.
- Die Stabilität des System vor jedem Gebrauch überprüfen.
- Die Stabilität des System vor jedem Gebrauch überprüfen.
- Die Stabilität des System vor jedem Gebrauch überprüfen.
- Die Stabilität des System vor jedem Gebrauch überprüfen.
- Die Stabilität des System vor jedem Gebrauch überprüfen.
- Die Stabilität des System vor jedem Gebrauch überprüfen.
- Die Stabilität des System vor jedem Gebrauch überprüfen.
- Die Stabilität des System vor jedem Gebrauch überprüfen.
- Die Stabilität des System vor jedem Gebrauch überprüfen.
- Die Stabilität des System vor jedem Gebrauch überprüfen.
- Die Stabilität des System vor jedem Gebrauchprüfen

HUFFYSPORTS

203782 03/04

! ADVERTENCIA

SI NO SE OBSERVAN ESTAS ADVERTENCIAS SE PUEDEN OCASIONAR LESIONES GRAVES Y/O DAÑOS MATERIALES

El propietario debe asegurarse de que todos los jugadores orozcan y sigan estas reglas para la operación segura del sistema.

- **NO SE CUELQUE** del borde ni de ninguna parte del sistema, inclusive el respaldo, abrazaderas de soporte o red.
- Durante el juego, especialmente cuando se realizan actividades de respaldado, borde y red. Si los dientes o la cara entran en contacto con el respaldado, el borde o la red se podría ocasionar una lesión grave.
- No se deslice, suba, mueva ni juegue sobre la base y/o en el poste.
- Después de terminar el montaje, llene completamente el sistema con agua o arena y fjelo al piso. Nunca deje el sistema en una posición vertical con la base vacía, ya que se podría ladear y causar lesiones.
- Cuando ajuste la altura o mueva el sistema, mantenga las manos y los dedos alejados de las partes móviles.
- No permita que los niños muevan o ajusten el sistema.
- Durante el juego no use bisutería (anillos, relojes, collares, etc.) Los objetos pueden enredarse en la red.
- La superficie debajo de la base debe estar lisa y no tener grava ni otros objetos flojos. Las perforaciones ocasionan fugas y éstas podrían ocasionar que el sistema se ladee.
- Mantenga el material orgánico alejado de la base del poste. El césped, desperdicios, etc. podrían causar corrosión y/o deterioro.
- Verifique que el sistema del poste no esté corroído (oxidación, corrosión, astillamiento) y si es así vuélvalo a pintar con pintura de esmalte para exteriores. Si la oxidación penetró en el acero en algún punto, reemplace inmediatamente el poste.
- Antes de usar el sistema verifique que tenga el balasto adecuado, que la tornillería no esté floja y que no esté excesivamente desgastado ni tenga signos de corrosión. Si presenta alguna de estas condiciones repárela antes de usarlo.
- Revise la estabilidad del sistema antes de usarlo.
- No use el sistema durante condiciones de mucho viento y/o condiciones climáticas severas, el sistema se puede ladear. Coloque el sistema en posición de almacenamiento y/o en un área protegida del viento y alejado de la propiedad personal o cables suspendidos.
- Nunca juegue en equipo dañado.
- Consulte el manual de instrucciones para ver la instalación y mantenimiento adecuados.
- Cuando mueva el sistema tenga cuidado de que el mecanismo no se desplace.
- Siempre mantenga tapada la sección superior del poste.
- No permita que el agua del tanque se congele. En condiciones climáticas bajo cero añada un anticongelante no tóxico, arena, o vacíe completamente el tanque y almacene el sistema. (No use sal.)
- Tenga mucho cuidado si coloca el sistema en una superficie con pendiente. El sistema se puede ladear más fácilmente.

HUFFYSPORTS

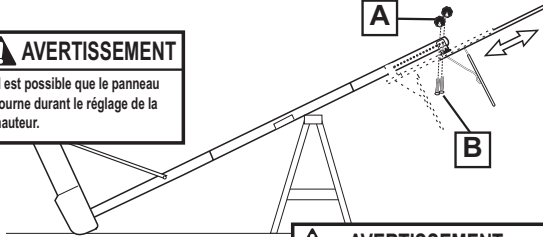
203782 03/04

RÉGLAGE DE LA HAUTEUR

Posez l'ensemble sur une table. Retirez les boutons de réglage (A) et les boulons ordinaires (B) pour allonger ou rétracter le panneau et le cerceau. Réglage de la hauteur entre 2,3 et 3,05 m

AVERTISSEMENT

Il est possible que le panneau tourne durant le réglage de la hauteur.



AVERTISSEMENT

Ne réglez pas la hauteur avec le système à la verticale. Pour cette opération, le système doit être allongé.

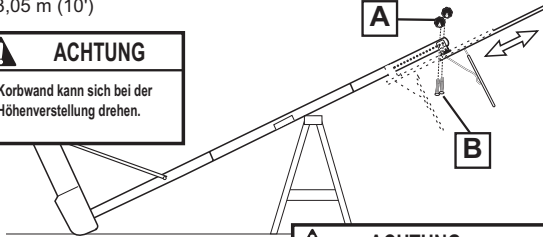
FR204178 05/04

HÖHENEINSTELLUNG

Die Vorrichtung auf einem Stütztisch ablegen. Die Einstellknopfreger (A) und Schlossschrauben (B) entfernen, um Korbwand und Korbrand zu verlängern oder zu verkürzen. Höhenverstellung zwischen 2,3 m (7,5') und 3,05 m (10')

ACHTUNG

Korbwand kann sich bei der Höhenverstellung drehen.



ACHTUNG

Die Höhe nicht bei aufrecht stehendem System einstellen. Das System muss für die Höhenverstellung auf dem Boden liegen.

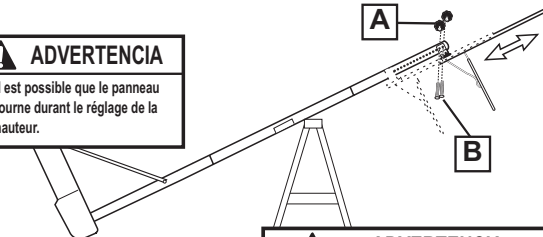
GE204178 05/04

AJUSTE DE LA ALTURA

Coloque la unidad sobre la mesa de apoyo. Retire las perillas de ajuste (A) y los pernos cabeza de carro (B) para extender o retraer el respaldo y el borde. Ajuste de la altura de 7.5 a 10' (2.3 a 3.05 m)

ADVERTENCIA

Il est possible que le panneau tourne durant le réglage de la hauteur.



ADVERTENCIA

No ajuste la altura del sistema mientras se encuentre en posición vertical. El sistema debe estar en posición horizontal para ajustarlo

SP204178 05/04

⚠️ CONSIGNES DE SÉCURITÉ ! ⚠️

SUIVEZ CES CONSIGNES DE SÉCURITÉ SOUS PEINE DE PROVOQUER DES BLESSURES GRAVES, DES DÉGÂTS MATÉRIELS ET L'ANNULATION DE LA GARANTIE.

Le propriétaire doit s'assurer que tous les joueurs connaissent et suivent ces règles d'utilisation sûre du système.

Par mesure de sécurité, n'essayez pas de monter ce système sans suivre scrupuleusement les instructions. Un montage, une utilisation et une supervision corrects et complets sont indispensables à un bon fonctionnement et à la réduction des risques d'accident ou de blessure. Des blessures graves sont très probables si le système n'est pas installé, entretenu et utilisé correctement.

- o Vérifiez régulièrement le socle pour vous assurer qu'il ne fuit pas. Les petites fuites risquent d'entraîner le basculement intempestif du système.
- o Emboîtez correctement les sections de poteau (le cas échéant). Elles risquent sinon de se déboîter en cours de jeu et/ou de transport du système.
- o Les conditions climatiques, la corrosion ou une mauvaise utilisation risquent de provoquer la panne du système.
- o Pour toute assistance technique, contactez Huff y Sports.

La plupart des blessures sont causées par une mauvaise utilisation et/ou le non-respect des instructions. Soyez prudent lorsque vous utilisez ce système.

⚠️ SICHERHEITSHINWEISE ⚠️

EIN MISSACHTEN DIESER SICHERHEITSHINWEISE KANN ZU SCHWEREN VERLETZUNGEN UND/ODER SACHSCHÄDEN FÜHREN UND MACHT DIE GARANTIE UNWIRKSAM..

Der Eigentümer muss sicherstellen, dass alle Spieler diese Regeln für einen sicheren Betrieb des Systems kennen und befolgen.

Aus Sicherheitsgründen darf dieses System nur unter sorgfältiger Beachtung der Anleitung zusammengebaut werden. Eine ordnungsgemäße und vollständige Montage, Verwendung und Aufsicht ist für den richtigen Betrieb und zur Reduzierung des Unfall- oder Verletzungsrisikos absolut erforderlich. Bei einer unsachgemäßen Installation und Wartung und bei einem falschen Betrieb dieses Systems besteht ein hohes Risiko schwerer Verletzungen.

- o Den Sockel regelmäßig auf Leckstellen untersuchen. Langsam austretende Füllmittel können ein unerwartetes Umkippen des Systems verursachen.
- o Die einzelnen Stangenteile richtig zusammenfügen (falls anwendbar). Andernfalls können sich die Stangenteile beim Spielbetrieb und/oder während des Transports des Systems voneinander lösen.
- o Klimatische Bedingungen, Korrosion oder Fehlgebrauch kann zu Systemdefekten führen.
- o Technische Unterstützung kann direkt von Huff y Sports angefordert werden.

Die meisten Verletzungen werden durch einen Fehlgebrauch bzw. ein Missachten der Anleitungen verursacht. Bei der Verwendung dieses Geräts vorsichtig vorgehen.

⚠️ ¡INSTRUCCIONES DE SEGURIDAD! ⚠️

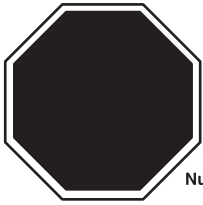
EL INCUMPLIMIENTO DE ESTAS INSTRUCCIONES DE SEGURIDAD PUEDE DAR COMO RESULTADO LESIONES GRAVES, DAÑOS MATERIALES Y ANULARÁ LA GARANTÍA..

El propietario debe asegurarse de que todos los jugadores conozcan y obedezcan estas reglas para la operación segura del sistema.

Por su seguridad, no intente montar este sistema sin seguir cuidadosamente las instrucciones. Es esencial el montaje completo, y el uso y la supervisión adecuados para la operación correcta del sistema y para reducir el riesgo de accidentes o lesiones. Existe una alta probabilidad de sufrir lesiones graves si este sistema no se instala, mantiene y opera adecuadamente.

- o Revise regularmente la base para detectar fugas. Las fugas lentas podrían causar que el sistema se cayera inesperadamente
- o Asiente correctamente las secciones del poste (si aplica). Si no lo hace, las secciones del poste podrían separarse durante el juego y/o durante el transporte del sistema.
- o El clima, la corrosión y el mal uso podrían ocasionar la falla del sistema.
- o Si requiere asistencia técnica, comuníquese con Huff y Sports.

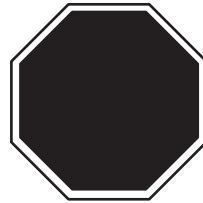
La mayoría de las lesiones son causadas por el uso inadecuado y/o por el incumplimiento de las instrucciones. Tenga cuidado cuando use esta unidad.



IMPORTANT!

En cas de questions...
pas besoin de retourner au magasin!

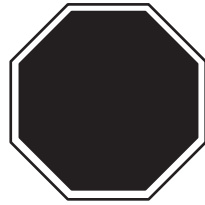
Etats-Unis et Canada uniquement: 1-800-284-8339
Numéro vert international (France, Suisse) : 00 800 555 85234



WICHTIG!

Huffy steht zur Qualität seiner Produkte!

(Deutschland, Schweiz): 00 800 555 85234



¡IMPORTANTE!

!Usted es importante para Huffy!

00 800 555 85234

AVIS AUX PERSONNES CHARGÉES DU MONTAGE

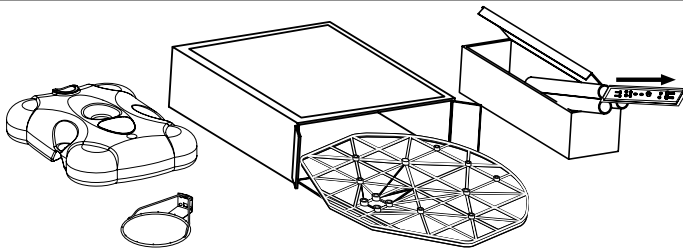
TOUS les systèmes de basket-ball Huffy Sports, y compris ceux utilisés en EXPOSITION, DOIVENT être assemblés et lestés de sable ou d'eau, selon les instructions. Suivez ces instructions sous peine d'encourir des BLESSURES GRAVES. Il est INACCEPTABLE de composer un système de lestage de fortune.

HINWEIS FÜR DIE PERSONEN, DIE DEN ZUSAMMENBAU DURCHFÜHREN

ALLE Basketballsysteme von Huffy Sports, einschließlich der zu Demonstrationszwecken benutzten Systeme, müssen gemäß der Montageanleitung zusammengebaut und mit Sand oder Wasser beschwert werden. Ein Missachten dieser Anleitung kann SCHWERE VERLETZUNGEN zur Folge haben. Zum Beschweren darf NICHT zu irgendwelchen Notbehelfsmaßnahmen gegriffen werden.

AVISO PARA LAS PERSONAS QUE REALIZAN EL MONTAJE

TODOS los sistemas de baloncesto de Huffy Sports, inclusive los usados para EXHIBICIÓN, DEBEN estar montados y equilibrados con arena o agua, de acuerdo con las instrucciones. Si se ignoran estas instrucciones se podría ocasionar una LESIÓN GRAVE. NO es aceptable improvisar un sistema de pesas provisional.



IMPORTANT!

Videz entièrement les boîtes.

Veillez à vérifier l'intérieur des sections de poteau.

La quincaillerie et des pièces supplémentaires sont emballées à l'intérieur.

¡IMPORTANTE!

Saque todo el contenido de las cajas.

Asegúrese de revisar el interior de las secciones del poste.

Ahí se han empacado herraje y piezas adicionales.

WICHTIG!

Die Kartons vollständig auspacken.

Den Hohlraum in den Stangenteilen inspizieren.

Dort sind Befestigungs- und andere Kleinteile verpackt.

CARTE DE GARANTIE:

N'oubliez pas de remplir la carte d'enregistrement de votre produit en ligne à :

www.huffysports.com/warrantycard or mail-in the enclosed postcard.

GARANTIEKARTE:

Bitte nicht vergessen, das Produktregistrierungsformular online unter der Adresse

www.huffysports.com/warrantycard auszufüllen oder die beiliegende Postkarte einzusenden.

TARJETA DE GARANTÍA:

Por favor recuerde completar su formulario de registro del producto, ya sea en línea en:

www.huffysports.com/warrantycard o por correo en la tarjeta postal adjunta.

**LISTE DES PIÈCES
TEILELISTE
LISTA DE PIEZAS**

<input checked="" type="checkbox"/>	<u>Légende</u>	<u>Quantité</u>	<u>No de réf.</u>	<u>Description</u>
<input type="checkbox"/>	1	1	20664903	Réservoir (noir)
<input type="checkbox"/>	2	1	918130	Section de poteau supérieure
<input type="checkbox"/>	3	1	918133	Section de poteau centrale avec étiquette
<input type="checkbox"/>	4	1	918132	Section de poteau inférieure
<input type="checkbox"/>	5	1	203099	Contre-écrou en nylon, 5/16-18
<input type="checkbox"/>	6	1		Filet
<input type="checkbox"/>	7	1	20378701	Capuchon
<input type="checkbox"/>	8	3	203223	Boulon ordinaire, 3/8-16 x 1 (long.)
<input type="checkbox"/>	9	1	203617	Bouchon de réservoir
<input type="checkbox"/>	10	1	203740	Boulon, tête à six pans, 5/16-18 x 2.63" (long.)
<input type="checkbox"/>	11	2	201344	Bouton en plastique
<input type="checkbox"/>	12	1		Cerceau
<input type="checkbox"/>	13	1		Panneau
<input type="checkbox"/>	14	1	908134	Support de panneau
<input type="checkbox"/>	15	1	908129	Support de Cerceau
<input type="checkbox"/>	16	2	203739	Boulon ordinaire, 5/16-18 x 3.25" (long.)
<input type="checkbox"/>	17	4	203218	Rondelle, 5/16
<input type="checkbox"/>	18	1	203309	Rondelle, 1.0" D.E.
<input type="checkbox"/>	19	1	203679	Boulon, tête à six pans, 3/8-16 x 2" (long.)
<input type="checkbox"/>	20	3	203100	Contre-écrou, 5/16-18
<input type="checkbox"/>	21	1	910454	Contrefiche de réservoir
<input type="checkbox"/>	22	1	910255	Contrefiche de réservoir
<input type="checkbox"/>	23	1	204178	Étiquette, Régige De La Hauteur

* Il est possible que vous ayez d'autres pièces avec ce modèle.

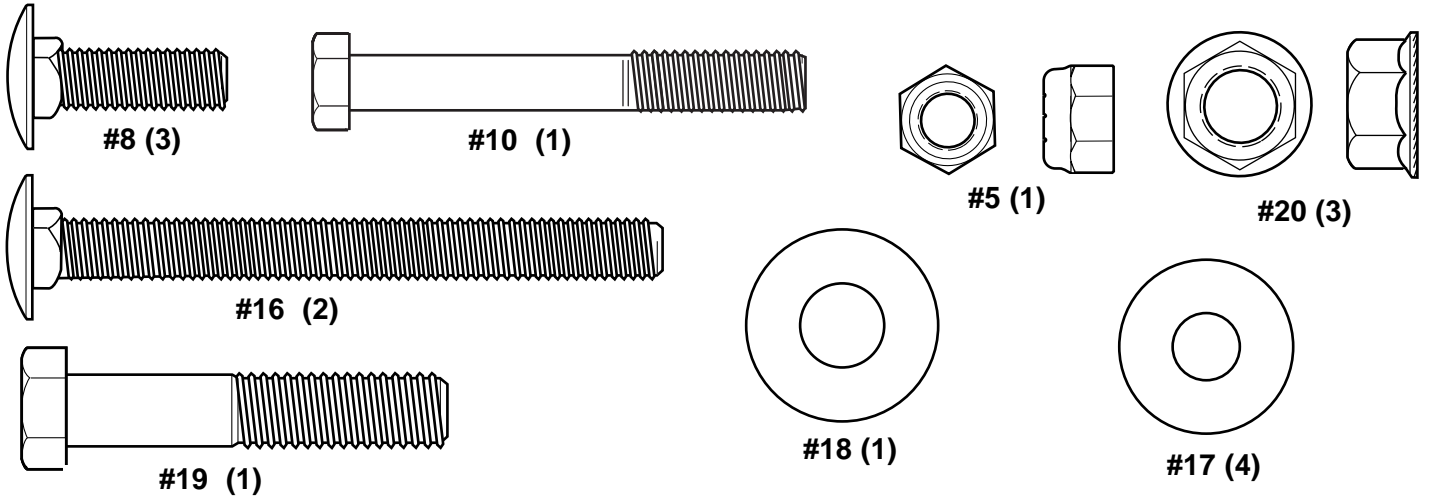
<input checked="" type="checkbox"/>	<u>Nr.</u>	<u>Anz.</u>	<u>Teilenummer</u>	<u>Beschreibung</u>
<input type="checkbox"/>	1	1	20664903	Tank (Schwarz)
<input type="checkbox"/>	2	1	918130	Oberes Stangenteil
<input type="checkbox"/>	3	1	918133	Mittleres Stangenteil mit Schild
<input type="checkbox"/>	4	1	918132	Unteres Stangenteil
<input type="checkbox"/>	5	1	203099	Nylon-Einschraubgegenmutter, 5/16-18
<input type="checkbox"/>	6	1		Netz
<input type="checkbox"/>	7	1	20378701	Deckel
<input type="checkbox"/>	8	3	203223	Schlossschraube, 3/8-16 x 1 Länge
<input type="checkbox"/>	9	1	203617	Tankdeckel
<input type="checkbox"/>	10	1	203740	Sechskantkopfschraube, 5/16-18 x 2.63" Länge
<input type="checkbox"/>	11	2	201344	Plastikknopf
<input type="checkbox"/>	12	1		Korbbrand
<input type="checkbox"/>	13	1		Korbwand
<input type="checkbox"/>	14	1	908134	Korbwand-Montagehalterung
<input type="checkbox"/>	15	1	908129	Korbbrand -Montagehalterung
<input type="checkbox"/>	16	2	203739	Schlossschraube, 5/16-18 x 3.25" Länge
<input type="checkbox"/>	17	4	203218	Unterlegscheibe, 5/16
<input type="checkbox"/>	18	1	203309	Unterlegscheibe, 1.0 Zoll AD
<input type="checkbox"/>	19	1	203679	Sechskantkopfschraube, 3/8-16 x 2" Länge
<input type="checkbox"/>	20	3	203100	Einschraubgegenmutter, 5/16-18
<input type="checkbox"/>	21	1	910454	Tankverstrebung
<input type="checkbox"/>	22	1	910255	Tankverstrebung
<input type="checkbox"/>	23	1	204178	Höhenanzeigenaufkleber

* Diesem Modell können zusätzliche Teile beige packt sein.

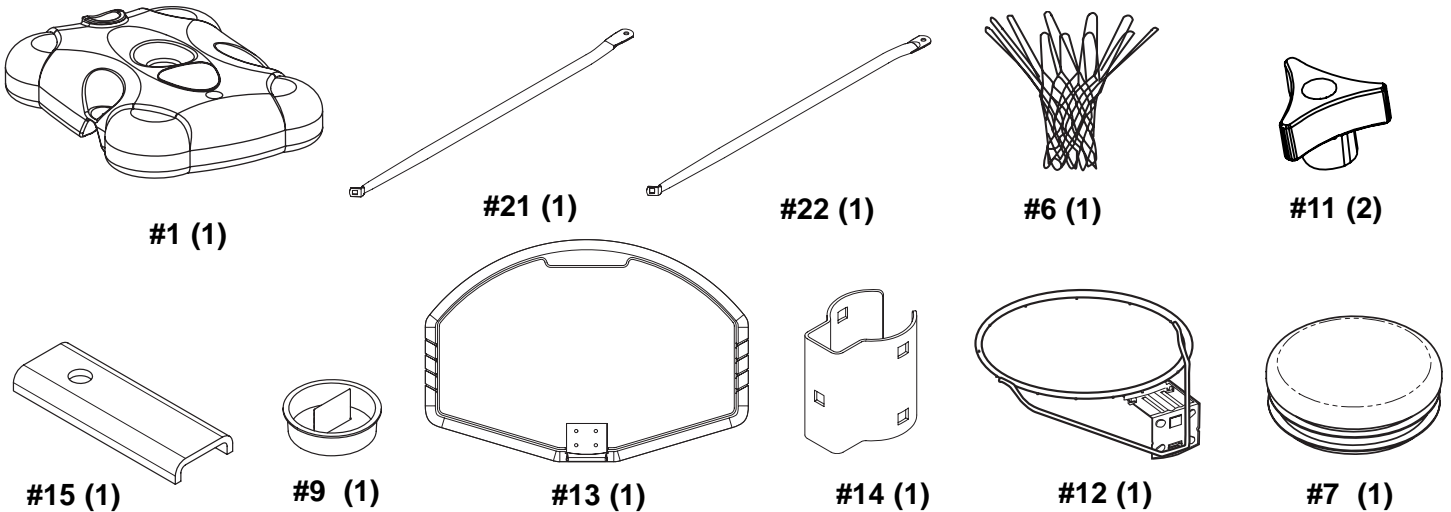
<u>Artículo</u>	<u>Cant.</u>	<u>Pieza N.º</u>	<u>Descripción</u>
<input type="checkbox"/>	1	1	20664903 Tanque (negro)
<input type="checkbox"/>	2	1	918130 Sección superior del poste
<input type="checkbox"/>	3	1	918133 Sección media del poste con etiqueta
<input type="checkbox"/>	4	1	918132 Sección inferior del poste
<input type="checkbox"/>	5	1	203099 Contratuerca, inserto de nilón, 5/16-18
<input type="checkbox"/>	6	1	Red
<input type="checkbox"/>	7	1	20378701 Tapa
<input type="checkbox"/>	8	3	203223 Perno cabeza de carro, 3/8-16 x 1 de longitud
<input type="checkbox"/>	9	1	203617 Tapa del tanque
<input type="checkbox"/>	10	1	203740 Perno, cabeza hexagonal, 5/16-18 x 2.63" de longitud
<input type="checkbox"/>	11	2	201344 Perilla, plástico
<input type="checkbox"/>	12	1	Borde
<input type="checkbox"/>	13	1	Respaldo
<input type="checkbox"/>	14	1	908134 Soporte de montaje del respaldo
<input type="checkbox"/>	15	1	908129 Soporte de Borde
<input type="checkbox"/>	16	2	203739 Perno cabeza de carro, 5/16-18 x 3.25" de longitud
<input type="checkbox"/>	17	4	203218 Arandela, 5/16
<input type="checkbox"/>	18	1	203309 Arandela, 1.0" D.E.
<input type="checkbox"/>	19	1	203679 Perno, cabeza hexagonal, 3/8-16 x 2" de longitud
<input type="checkbox"/>	20	3	203100 Contratuerca, 5/16-18
<input type="checkbox"/>	21	1	910454 Puntal del tanque
<input type="checkbox"/>	22	1	910255 Puntal del tanque
<input type="checkbox"/>	23	1	204178 Etiqueta, Adjusta De La Altura

** Puede haber piezas adicionales en este modelo.

DESCRIPTIF DES PIÈCES - La visserie est grandeur nature.
TEILESCHLÜSSEL - Die Befestigungsteile sind in ihrer tatsächlichen Größe abgebildet.
IDENTIFICADOR DE PIEZAS: El herraje aparece en su tamaño real



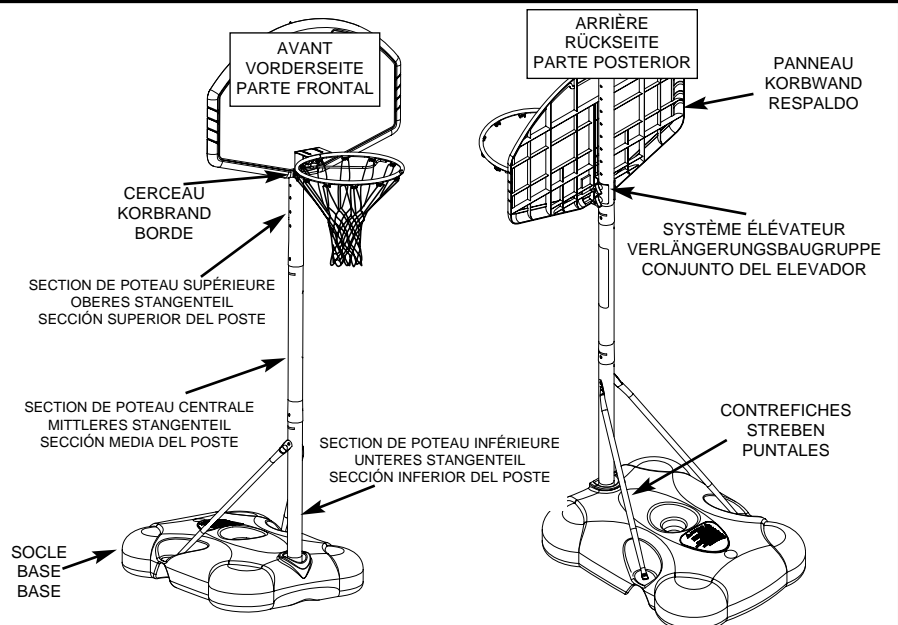
IDENTIFICATION DES PIÈCES - Pas à la grandeur réelle
TEILESCHLÜSSEL - Die einzelnen Teile sind nicht in ihrer tatsächlichen Größe abgebildet.
IDENTIFICADOR DE PIEZAS: Las piezas no aparecen en su tamaño real



Apprenez à connaître les composants de base de votre système de basket-ball....

Machen Sie sich mit den wichtigsten Teilen Ihres Basketballsystems vertraut...

Conozca las piezas básicas de su sistema de baloncesto...

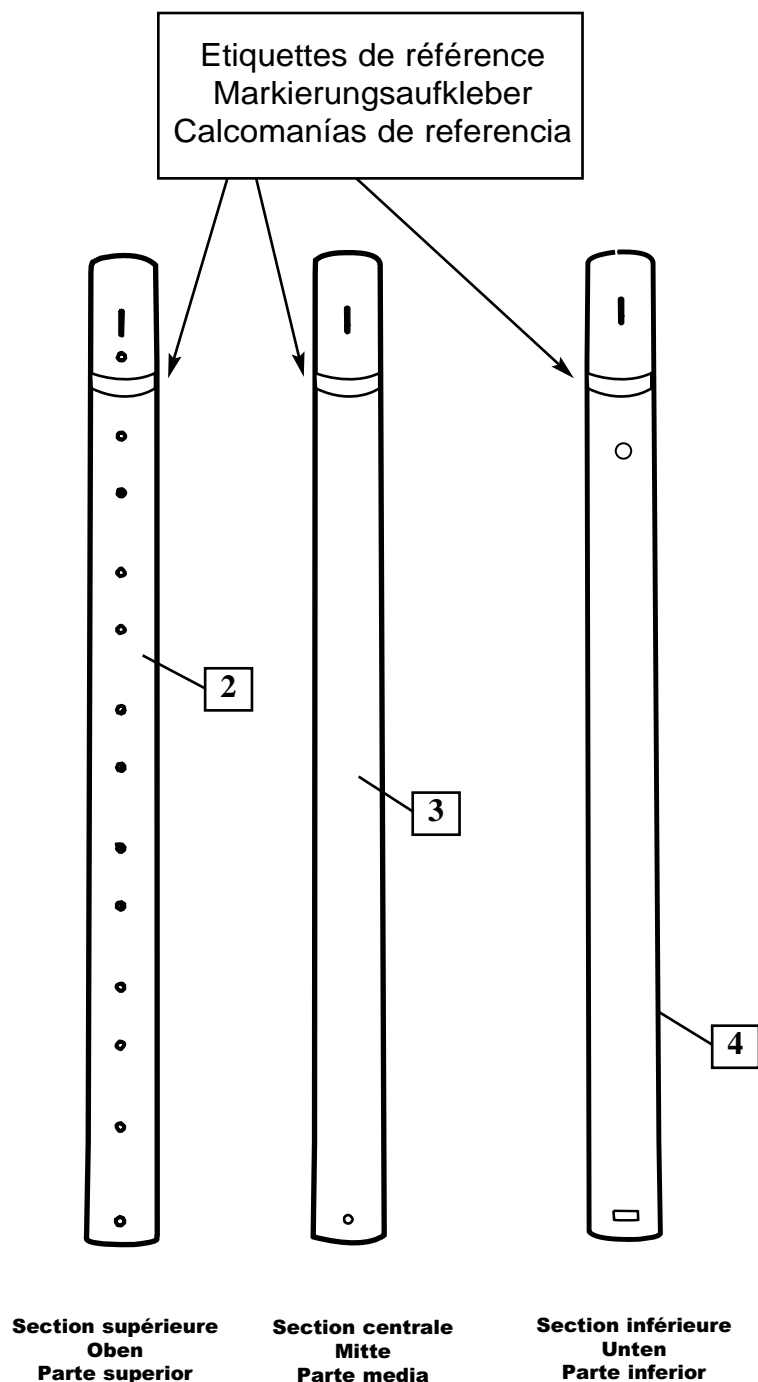


1.

Identifiez correctement chaque section de poteau. Les poteaux ont une étiquette d'identification qui servira de point de repère à l'étape suivante.

Jedes Stangenteil richtig identifizieren. Die Stangenteile sind mit Aufklebern markiert, die als Orientierungshilfe für den nächsten Schritt dienen.

Identifique correctamente cada sección del poste. Los postes tienen una calcomanía de identificación que se usará como punto de referencia en el paso siguiente.



2.

IMPORTANT!

UNE FOIS LES SECTIONS DE POTEAU ENTRECHOQUÉES ENSEMBLE, ELLES NE PEUVENT PLUS ÊTRE DÉMONTÉES.

WICHTIG!

NACH DEM ZUSAMMENSTAUCHEN DER STANGENTEILE KÖNNEN DIESE NICHT MEHR VONEINANDER GETRENNT WERDEN.

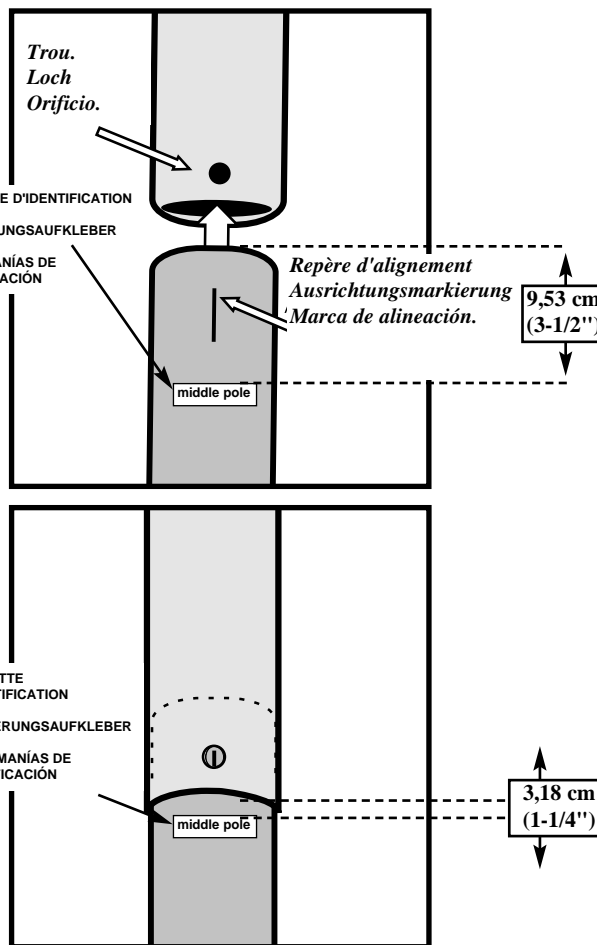
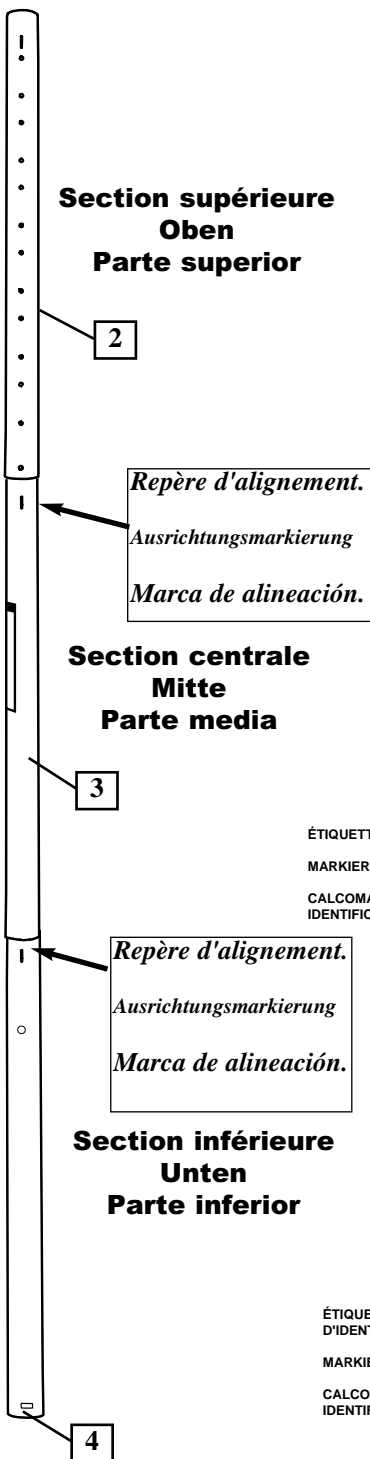
¡IMPORTANTE!

UNA VEZ QUE LAS SECCIONES DEL POSTE SE HAN EMBRAGADO ENTRE SÍ, YA NO SE PODRÁN SEPARAR

Alignez les sections de poteau en vous basant sur les repères d'alignement. Tout d'abord, emboîtez les sections de poteau supérieure et centrale en les entrechoquant sur un bout de bois posé par terre, comme illustré à la figure A, jusqu'à ce qu'elles ne bougent plus vers les étiquettes d'identification des sections. ENSUITE, ajoutez la section de poteau inférieure et entrechoquez de la même façon.

Die Stangen mithilfe der Markierungen korrekt ausrichten. Zuerst das obere und mittlere Stangenteil auf einem Holzstück auf dem Boden zusammenstauchen (siehe Abb. A), bis sie sich nicht mehr auf die Markierungsaufkleber zubewegen. DANN das untere Stangenteil auf gleiche Weise - also durch Zusammenstauchen - anbringen.

Alinee los postes usando las marcas de alineación. Primero embrague las secciones superior y media del poste golpeándolas entre sí sobre un trozo de madera colocado en el piso como se muestra en la FIG. A hasta que ya no se muevan hacia las calcomanías de identificación del poste. LUEGO añada la sección inferior del poste y golpee las secciones entre sí de la misma manera.



L'ÉTIQUETTE D'IDENTIFICATION SE SITUE À 9,53 (3-3/4") CM DE L'EXTRÉMITÉ DU POTEAU. LORSQU'ELLES SONT CORRECTEMENT EMBÔITÉES LES UNES DANS LES AUTRES, LES SECTIONS DE POTEAU DOIVENT SE CHEVAUCHER DE 6,35 CM (2-1/2") MINIMUM, EN LAISSANT 3,18 CM (1-1/4") ENTRE LA SECTION QUI CHEVAUCHE ET L'ÉTIQUETTE D'IDENTIFICATION.

DER MARKIERUNGS-AUFKLEBER BEFINDET SICH CA. 9,53 CM (3-3/4") VOM STANGENENDE. WENN DIE STANGENTEILE RICHTIG ZUSAMMENGESTAUCHT WURDEN, SOLLTEN SIE UM MINDESTENS 6,35 CM (2-1/2") ÜBERLAPPEN. DER ABSTAND ZWISCHEN DEM ÜBERLAPPENDEN STANGENTEIL UND DEM MARKIERUNGS-AUFKLEBER SOLLTE ALSO 3,18 CM (1-1/4") BETRAGEN.

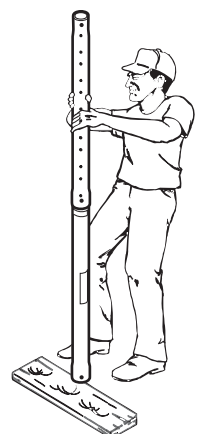
LA CALCOMANÍA DE IDENTIFICACIÓN ESTÁ COLOCADA A 9,53 CM (3-3/4") DEL EXTREMO DEL POSTE. CUANDO ESTÁN ADECUADAMENTE EMBRAGADAS, LAS SECCIONES DEL POSTE DEBEN TENER UN TRASLAPE MÍNIMO DE 6,35 CM (2-1/2"), DEJANDO 3,18 CM (1-1/4") ENTRE EL POSTE TRASLAPADO Y LA CALCOMANÍA DE IDENTIFICACIÓN.

figure A
siehe Abb. A
FIG. A

Bout de bois
(non fourni)

Holzstück
(nicht im Lieferumfang
enthalten)

Trozo de madera
(No se suministra)



3. Attachez l'ensemble du poteau au réservoir, comme illustré. Fixez le poteau sur le réservoir en tournant le poteau dans le sens des aiguilles d'une montre, comme illustré.

Den Stangenaufbau wie gezeigt an der Tankbaugruppe befestigen. Den Stangenaufbau wie gezeigt durch Rechtsdrehen am Tank und an der befestigen.

Instale el conjunto del poste en el conjunto del tanque como se muestra. Asegure el conjunto del poste en el tanque girando hacia la derecha el conjunto del poste.



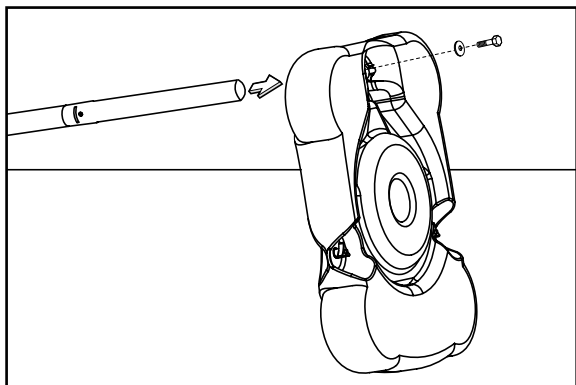
**AVERTISSEMENT !
WARNING!
¡ADVERTENCIA!**



Il est obligatoire de s'y prendre à deux pour cette procédure. SUIVEZ CET AVERTISSEMENT SOUS PEINE D'ENCOURIR DES BLESSURES GRAVES ET/OU DES DÉGÂTS MATÉRIELS.

Dieses Schritt muss von zwei Personen ausgeführt werden. EIN MISSACHTEN DIESER WARNUNG KANN ZU SCHWEREN VERLETZUNGEN UND/ODER SACHSCHÄDEN FÜHREN.

Se requieren dos personas para realizar este procedimiento. SI NO SE OBSERVA ESTA ADVERTENCIA SE PODRÍA OCASIONAR UNA lesión GRAVE Y/O DAÑOS A LA PROPIEDAD.



**REMARQUE:
HINWEIS:
NOTA:**

BASCULEZ AVEC PRÉCAUTION LE SYSTÈME VERS L'AVANT POUR FACILITER L'ACCÈS AU DESSOUS DU SOCLE.

DURCH VORSICHTIGES KIPPEN DES SYSTEMS NACH VORNE WIRD DIE SOCKELUNTERSEITE LEICHTER ZUGÄNLICH.

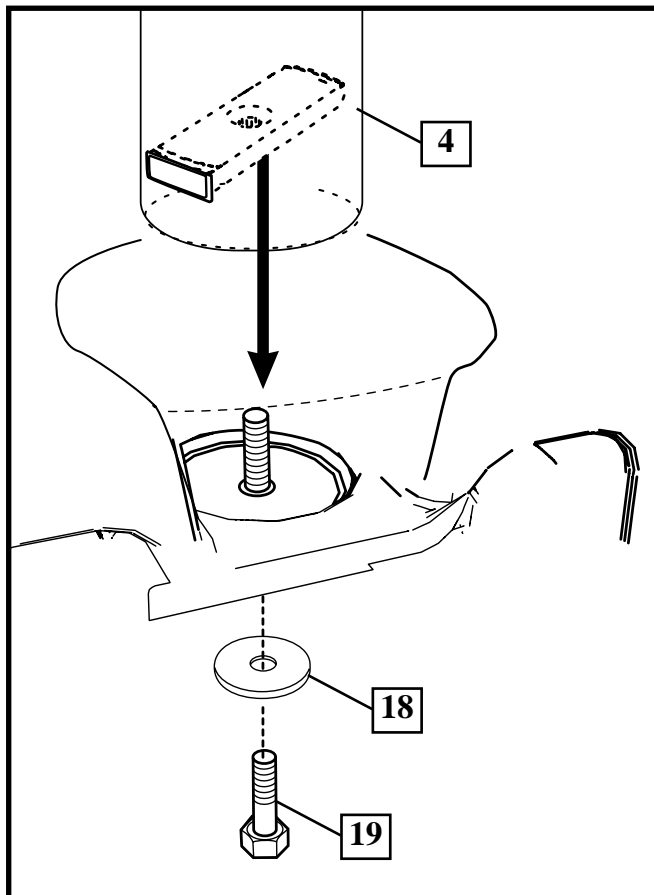
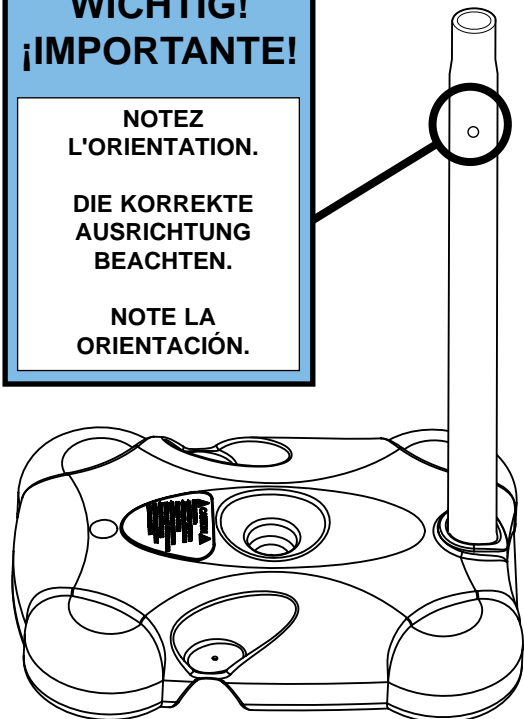
SI SE INCLINA CUIDADOSAMENTE EL SISTEMA HACIA ADELANTE SE FACILITARÁ EL ACCESO A LA PARTE INFERIOR DE LA BASE

**IMPORTANT!
WICHTIG!
¡IMPORTANTE!**

NOTEZ L'ORIENTATION.

DIE KORREKTE AUSRICHTUNG BEACHTEN.

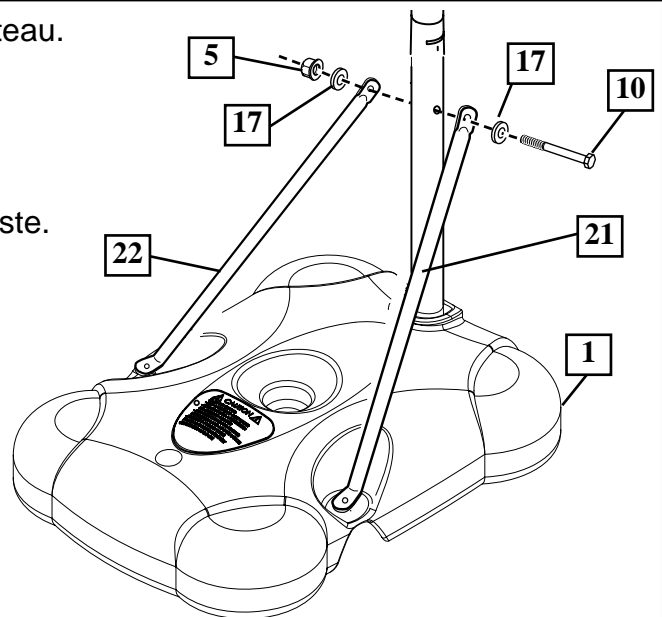
NOTE LA ORIENTACIÓN.



4. Fixez les contrefiches du réservoir (21 & 22) au poteau.

Die Tankverstreben (21 & 22) an der Stange befestigen.

Asegure los puntales del tanque (21 & 22) en el poste.

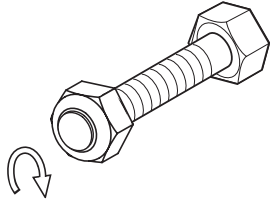


**AVERTISSEMENT !
WARNING!
¡ADVERTENCIA!**

AVERTISSEMENT : SERREZ LE BOULON (10) DANS LE CONTRE-ÉCROU (5) JUSQU'À CE QU'IL SE TROUVE AU MÊME NIVEAU QUE LE BORD EXTÉRIEUR DU CONTRE-ÉCROU. SOUS PEINE D'ENCOURIR DES BLESSURES OU DES DÉGÂTS MATÉRIELS.

WARNING: DIE SCHRAUBE (10) IN DER GEGENMUTTER (5) SO WEIT ANZIEHEN, BIS SIE BÜNDIG MIT DER AUSSENKANTE DER GEGENMUTTER ABSCHLIESST. EIN MISSACHTEN DIESER BETRIEBSANLEITUNG KANN VERLETZUNGEN ODER SACHSCHÄDEN ZUR FOLGE HABEN.

ADVERTENCIA: APRIETE EL PERNO (10) EN LA CONTRATUERCA (5) HASTA QUE QUEDE AL RAS (PAREJO) CON EL BORDE EXTERIOR DE LA CONTRATUERCA. SI NO SE SIGUEN LAS INSTRUCCIONES DE OPERACIÓN SE PODRÍA OCASIONAR UNA LESIÓN O DAÑOS A LA PROPIEDAD. OR DAMAGE TO PROPERTY.

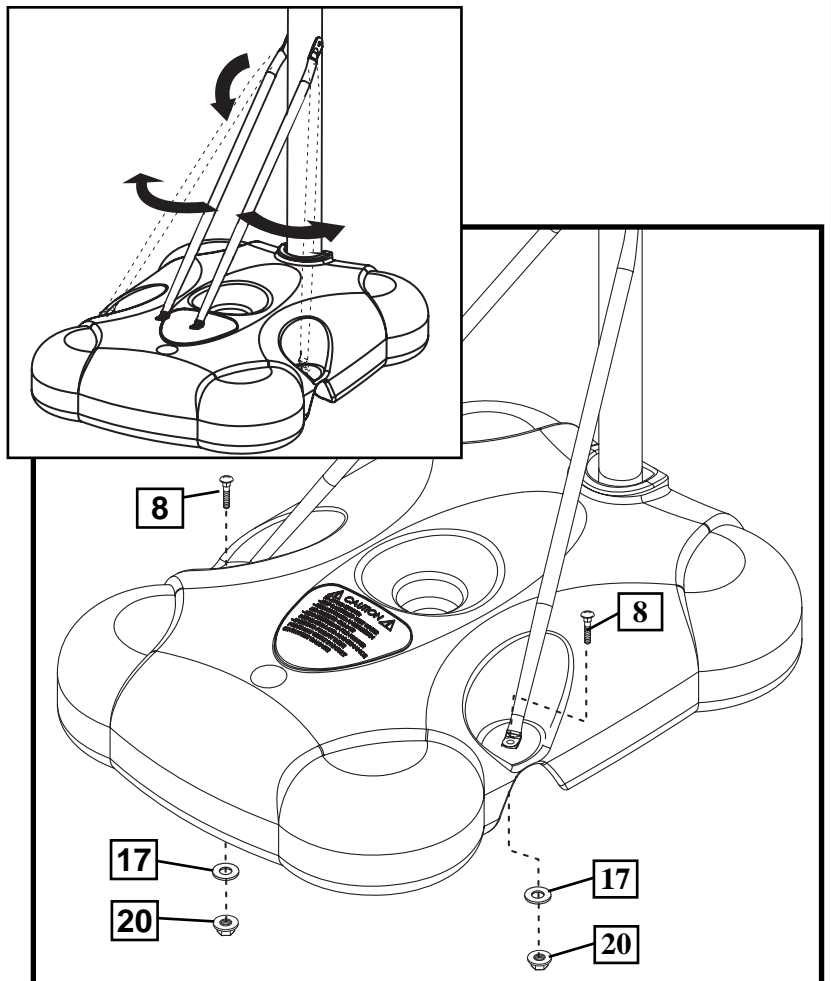


5.

Tournez les contrefiches vers le bas et courbez les contrefiches vers l'extérieur pour les aligner sur les trous du socle, comme illustré. Fixez les extrémités libres des contrefiches sur le réservoir avec le boulon ordinaire (8), la rondelle (17) et le bouton (20), comme illustré. Faites de même de l'autre côté.

Die Streben wie gezeigt nach unten klappen und nach außen biegen, damit sie mit den Löchern am Sockel zur Deckung kommen. Die unbefestigten Enden der Sockelverstreben mit der Schlossschraube (8), der Unterlegscheibe (17) und dem Drehknopf (20) wie gezeigt am Tank befestigen. Das gleiche Verfahren auf der anderen Seite durchführen.

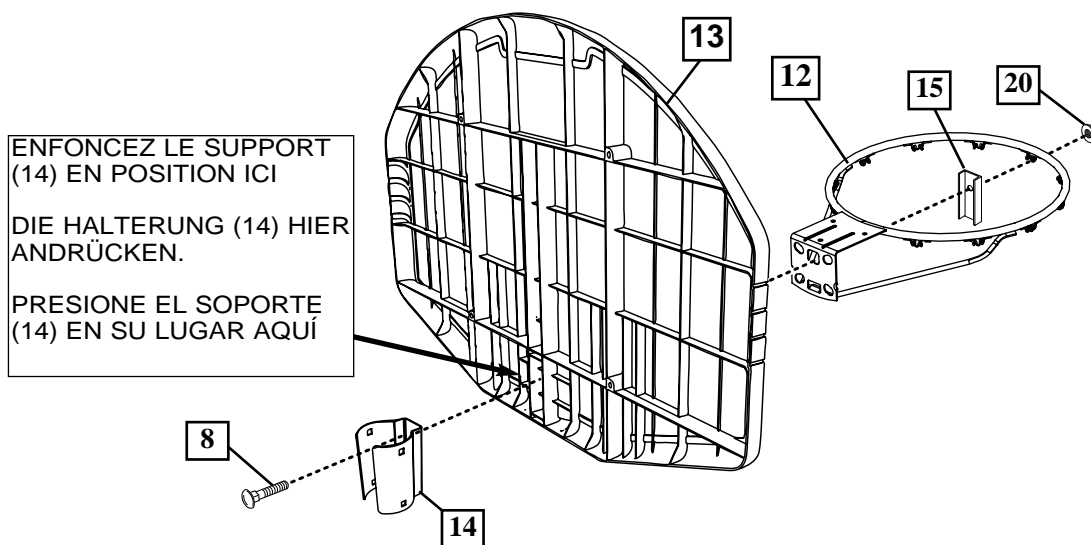
Gire los puntales hacia abajo y dóblelos hacia fuera para alinearlos con los orificios de la base como se muestra. Asegure los extremos libres de los puntales del tanque el en tanque con el perno cabeza de carro (8), arandela (17) y perilla (20) como se muestra. Repita el procedimiento en el otro lado.



6. Vous devrez appuyer légèrement sur le support de poteau pour l'insérer dans les crans du panneau. Veillez à l'enfoncer complètement en position. Attachez le cerceau au panneau et le support de poteau (14) avec le bouton (20), le support de renforcement (15) et le boulon ordinaire (8), comme illustré. Serrez le bouton à fond.

Die Stangenhalterung muss mit leichtem Druck in die Korbwandriffelung eingepresst werden. Die Halterung fest andrücken. Den Korbrand wie gezeigt mit dem Drehknopf (20), der Verstärkungshalterung (15) und der Schlossschraube (8) an der Korbwand und der Stangenhalterung (14) befestigen. Den Drehknopf fest anziehen.

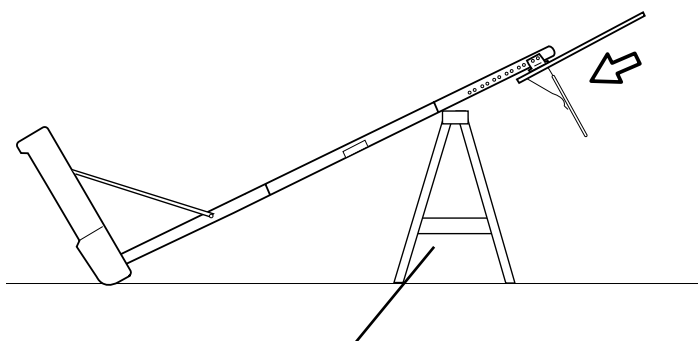
Será necesario que el soporte del poste se presione ligeramente contra los rebordes del respaldo. Asegúrese de presionarlo completamente en su lugar. Instale el borde en el respaldo y el soporte del poste (14) con la perilla (20), el soporte de refuerzo (15) y el perno cabeza de carro (8) como se muestra. Apriete completamente la perilla.



Basculez l'ensemble avec précaution vers l'avant et glissez le panneau sur le poteau, comme illustré.

Die Vorrichtung vorsichtig nach vorne kippen und die Korbwandbaugruppe wie gezeigt auf die Stange schieben.

Incline cuidadosamente la unidad hacia adelante y deslice el conjunto del respaldo en el poste como se muestra.

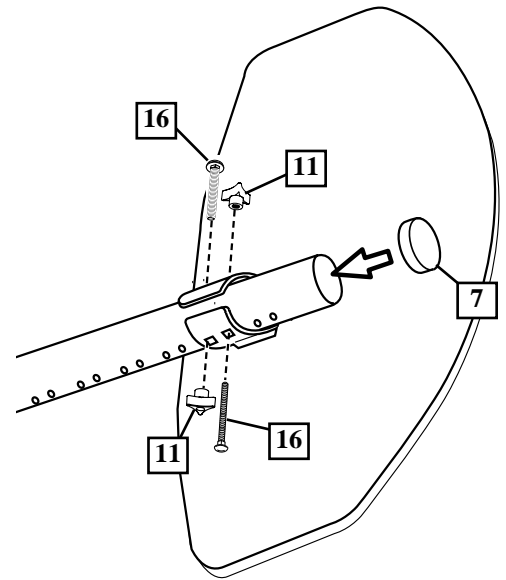


**CHEVALET DE SCIAGE OU TABLE
SÄGEBOCK ODER STÜTZTISCH
CABALLETE O MESA DE APOYO**

7. Attachez le panneau au poteau avec les boulons ordinaires (16) et les boutons (11), comme illustré. Placez le capuchon (7) sur le poteau, comme illustré.

Den Korbwandaufbau wie gezeigt mit den Schlossschrauben (16) und Drehknöpfen (11) an der Stange befestigen. Die Stangenkappe (7) wie gezeigt aufsetzen.

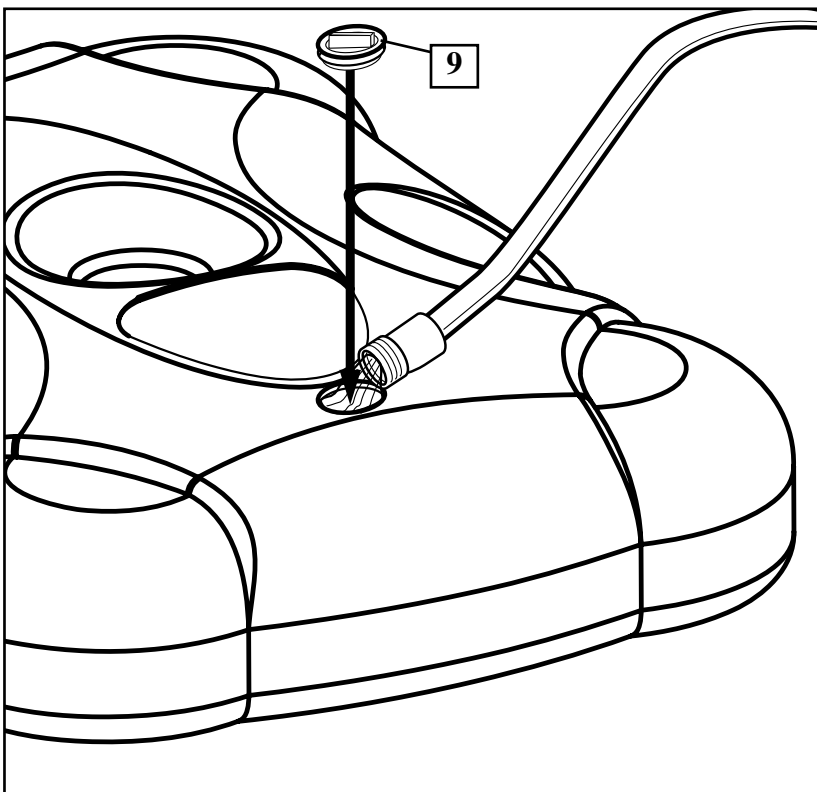
Instale el conjunto del tablero en el poste con los pernos cabeza de carro (16) y las perillas (11) como se muestra. Instale la tapa del poste (7) como se muestra.



8. Placez l'ensemble à l'emplacement de votre choix. Remplissez le réservoir d'eau (53 litres / 14 gallons) ou de sable (77 kg / 170 lb.) et fermez avec le bouchon (9).

Die zusammengebaute Vorrichtung an den gewünschten Aufstellungsort bringen. Den Tank mit Wasser (53 l [14 gal]) oder Sand (77 kg [170 lbs]) füllen und den Tankdeckel (9) aufschnappen lassen.

Coloque la unidad montada en la ubicación deseada. Llene el tanque con agua (53 litros/14 galones) o con arena (77 kg/170 libras) y conecte a presión la tapa del tanque (9) en su lugar.



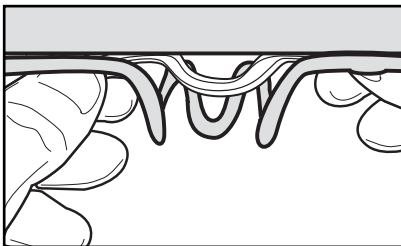
	REMARQUE HINWEIS NOTA:
<p>AVEC DU SABLE: LES HUIT LITRES D'ANTIGEL SONT INUTILES.</p> <p>BEI GEBRAUCH VON SAND: WERDEN NATÜRLICH KEINE 7,6 LITER GEFRIERSCHUTZMITTEL BENÖTIGT.</p> <p>SI SE USA ARENA: NO SE REQUIERE EL USO DE ANTICONGELANTE.</p>	

	ATTENTION ! VORSICHT! ¡PRECAUCIÓN!
<p>AJOUTEZ 3,78 LITRES (1 GALLONS) D'ANTIGEL NON TOXIQUE EN PRÉVISION DE TEMPÉRATURES EN DESSOUS DE 0.</p> <p>DEN TANK MIT 3,78 L (1 GAL) EINES UNGIFTIGEN GEFRIERSCHUTZMITTELS FÜLLEN, UM IN KLIMAZONEN MIT FROSTTEMPERATUREN EIN GEFRIEREN ZU VERHINDERN.</p> <p>AÑADA 3.78 LITROS (UNO GALONES) DE ANTICONGELANTE NO TÓXICO SI EL CLIMA ALCANZA TEMPERATURAS DE CONGELAMIENTO.</p>	

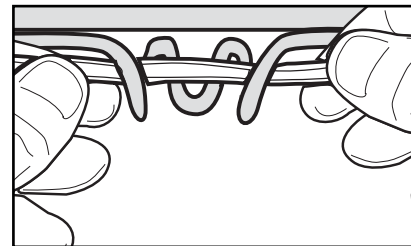
9.

Installez le filet (6).
Das Netz (6) anbringen
Instale la red (6).

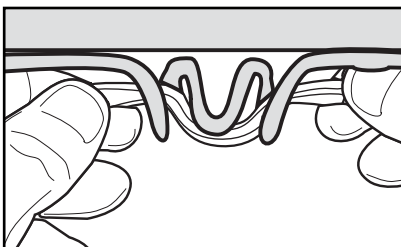
1.



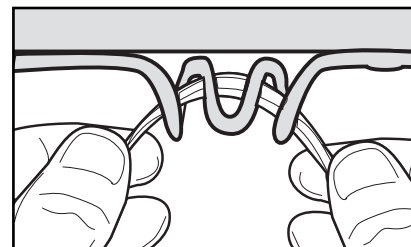
2.



3.



4.



10.

Collez l'étiquette d'échelle de hauteur et de déplacement (23) sur l'avant du poteau, comme illustré.

Höhenverstell- und Transportaufkleber (23) wie gezeigt an der Vorderseite der Stange anbringen.

Aplique la etiqueta de ajuste de la altura y de movimiento (23) en la parte frontal del poste, como se muestra.



AVERTISSEMENT !
WARNING!
¡ADVERTENCIA!

Lisez le mode d'emploi

sous peine d'encourir des blessures ou des dégâts matériels.

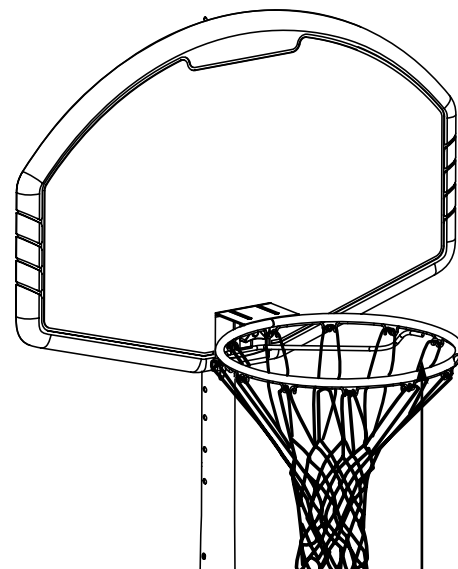
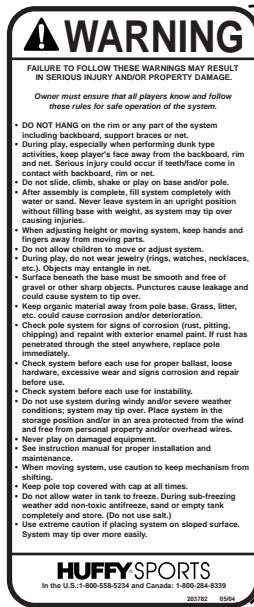
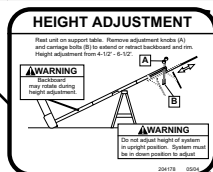
vor Gebrauch dieses Produkts sorgfältig durchlesen.

Ein Missachten dieser Betriebsanleitung kann Verletzungen oder Sachschäden zur Folge haben.

Lea y entienda

Si no se siguen las instrucciones de operación se podría ocasionar una lesión o daños a la propiedad, or damage to property.

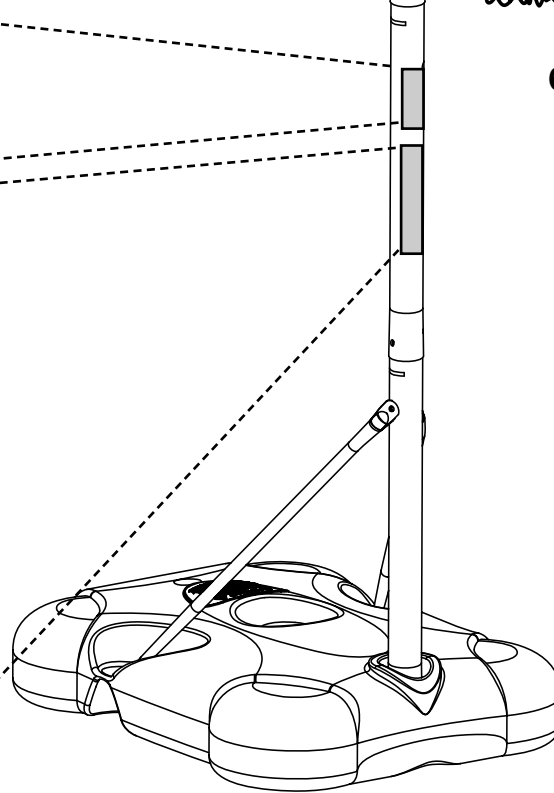
23



6.5 pieds
1,98 m

6.5 Fuß
(1,98 m)

6.5 pies
(1.98 m)



Free Manuals Download Website

<http://myh66.com>

<http://usermanuals.us>

<http://www.somanuals.com>

<http://www.4manuals.cc>

<http://www.manual-lib.com>

<http://www.404manual.com>

<http://www.luxmanual.com>

<http://aubethermostatmanual.com>

Golf course search by state

<http://golfingnear.com>

Email search by domain

<http://emailbydomain.com>

Auto manuals search

<http://auto.somanuals.com>

TV manuals search

<http://tv.somanuals.com>