

**REQUIRED TOOLS  
AND MATERIALS:**



• 2 People

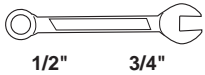


• Wood Board  
(scrap)



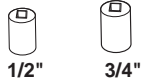
• Sawhorse or  
Support Table

• (2 each) Wrenches and/or  
Socket Wrenches and  
Sockets.



1/2" 3/4"

AND/OR



1/2" 3/4"

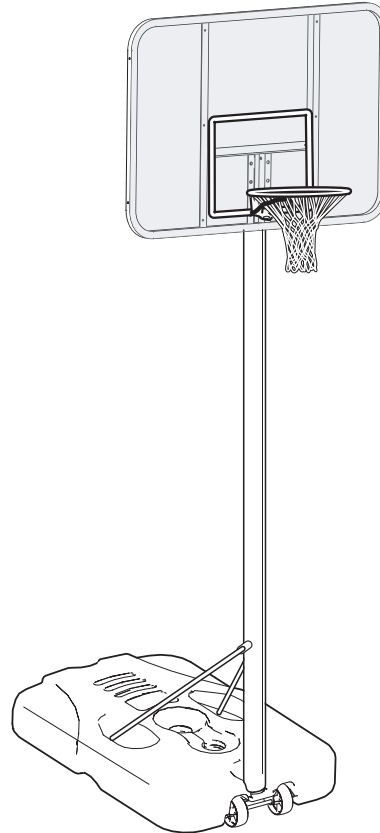
• Garden Hose or Sand




# Portable System Owners Manual

Customer Service Center

• N53 W24700 South Corporate Circle • Sussex, WI 53089 • U.S.A.





**! WARNING!**

READ AND UNDERSTAND  
OPERATOR'S MANUAL  
BEFORE USING THIS UNIT.

FAILURE TO FOLLOW  
OPERATING INSTRUCTIONS  
COULD RESULT IN INJURY  
OR DAMAGE TO  
PROPERTY.

**Write Model Number  
From Box Here:**

Toll-Free Customer Service Number for U.S: 1-800-558-5234,

For Canada: 1-800-284-8339,

For Europe: 00 800 555 85234 (Sweden: 009 555 85234),

For Australia: 1-800-632 7921

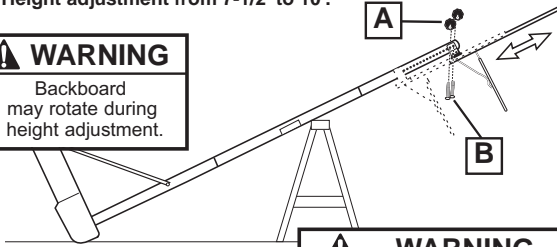
Internet Address: <http://www.huffysports.com>

## HEIGHT ADJUSTMENT

Rest unit on support table. Remove adjustment knobs (A) and carriage bolts (B) to extend or retract backboard and rim. Height adjustment from 7-1/2' to 10'.

### WARNING

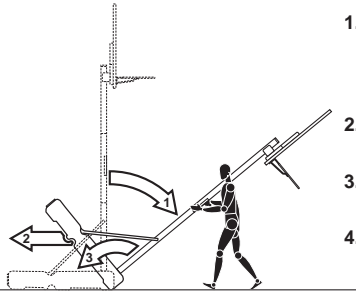
Backboard may rotate during height adjustment.



### WARNING

Do not adjust height of system in upright position. System must be in down position to adjust.

## MOVING SYSTEM



1. While holding pole, rotate basketball system forward until wheels engage with ground.
2. Move basketball system to desired location.
3. Carefully rotate basketball system upright.
4. Check system for stability.

5E2356 05/05

15

## WARNING



Read and understand warnings listed below before using this product.

Failure to follow these warnings may result in serious injury and/or property damage.

Owner must ensure that all players know and follow these rules for safe operation of the system.

- DO NOT HANG on the rim or any part of the system including backboard, support braces or net.
- During play, especially when performing dunk type activities, keep player's face away from the backboard, rim and net. Serious injury could occur if teeth/face come in contact with backboard, rim or net.
- Do not slide, climb, shake or play on base and/or pole.
- After assembly is complete, fill system completely with water or sand. Never leave system in an upright position without filling base with weight, as system may tip over causing injuries.
- When adjusting height or moving system, keep hands and fingers away from moving parts.
- Do not allow children to move or adjust system.
- During play, do not wear jewelry (rings, watches, necklaces, etc.). Objects may entangle in net.
- Surface beneath the base must be smooth and free of gravel or other sharp objects. Punctures cause leakage and could cause system to tip over.
- Keep organic material away from pole base. Grass, litter, etc. could cause corrosion and/or deterioration.
- Check pole system for signs of corrosion (rust, pitting, chipping) and repaint with exterior enamel paint. If rust has penetrated through the steel anywhere, replace pole immediately.
- Check system before each use for proper ballast, loose hardware, excessive wear and signs of corrosion and repair before use.
- Check system before each use for instability.
- Do not use system during windy and/or severe weather conditions; system may tip over. Place system in the storage position and/or in an area protected from the wind and free from personal property and/or overhead wires.
- Never play on damaged equipment.
- When moving system, use caution to keep mechanism from shifting.
- Keep pole top covered with cap at all times.
- Do not allow water in tank to freeze. During sub-freezing weather add 2 gallons of non-toxic antifreeze, sand or empty tank completely and store. (Do not use salt.)
- While moving system, do not allow anyone to stand or sit on base or have added ballasting on base.
- Do not leave system unsupervised or play on system when wheels are engaged for moving.
- Use Caution when moving system across uneven surfaces. System may tip over.
- Use extreme caution if placing system on sloped surface. System may tip over more easily.
- See instruction manual for proper installation and maintenance.

**SPALDING**  
In the U.S.: 1-800-772-5346

**HYDRA-RIB**  
In the U.S.: 1-800-334-9111

**RUSSELL**  
ATHLETIC

**SURE SHOT**  
In the U.S.: 1-888-713-5488

**HUFFY SPORTS**  
In the U.S.: 1-800-558-5234  
Canada: 1-800-284-8339

ID#: 556790 05/05



# SAFETY INSTRUCTIONS



**FAILURE TO FOLLOW THESE SAFETY INSTRUCTIONS MAY RESULT IN SERIOUS INJURY OR PROPERTY DAMAGE AND WILL VOID WARRANTY.**

*Owner must ensure that all players know and follow these rules for safe operation of the system.*

To ensure safety, do not attempt to assemble this system without following the instructions carefully. Proper and complete assembly, use, and supervision are essential for proper operation and to reduce the risk of accident or injury. A high probability of serious injury exists if this system is not installed, maintained, and operated properly.

- If using a ladder during assembly, use extreme caution.
- Check base regularly for leakage. Slow leaks could cause the system to tip over unexpectedly
- Seat the pole sections properly (if applicable). Failure to do so could allow the pole sections to separate during play and/or during transport of the system.
- Climate, corrosion or misuse could result in system failure.
- If technical assistance is required, contact Customer Service.
- Minimum operational height is 6'-6" (1.98m) to the bottom of backboard.

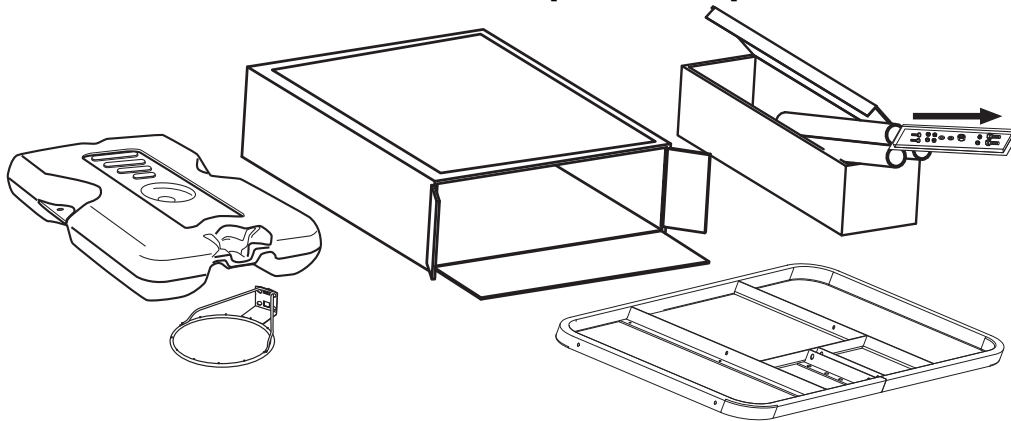
*Most injuries are caused by misuse and/or not following instructions.  
Use caution when using this unit.*

## NOTICE TO ASSEMBLERS

**ALL basketball systems, including those used for DISPLAYS, MUST be assembled and ballasted with sand or water according to instructions. Failure to follow instructions could result in SERIOUS INJURY. It is NOT acceptable to devise a makeshift weight system.**

## IMPORTANT!

**Remove all contents from boxes.  
Be sure to check inside pole sections;  
hardware and additional parts are packed inside.**



**Questions or Missing Parts?**

**DON'T go back to store!**

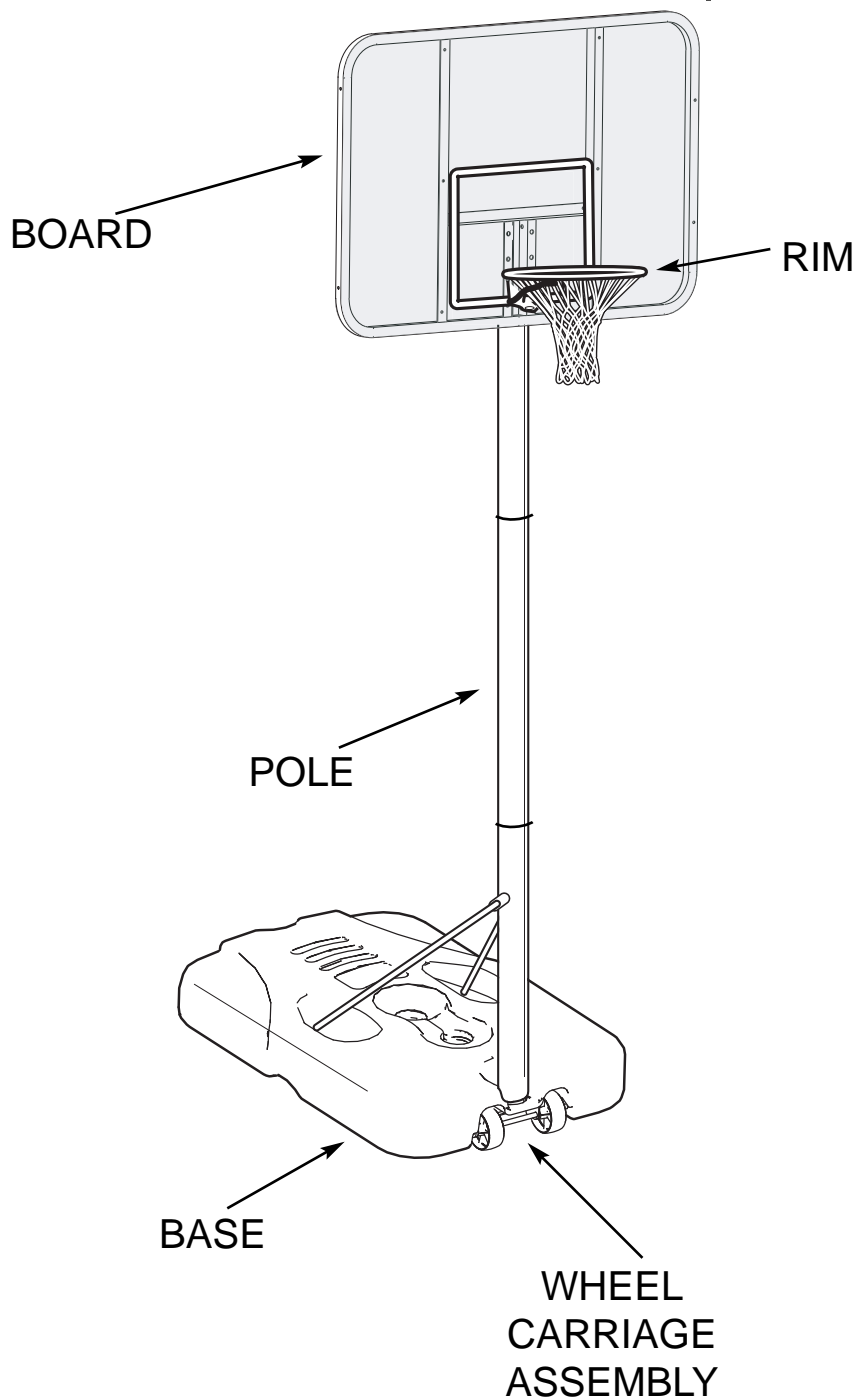
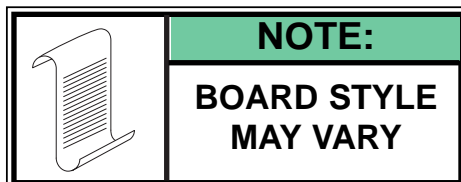
**Call TOLL-FREE Customer Service  
Number listed on the front page!**

### WARRANTY CARD:

Please remember to complete your product registration form either on-line at:

[www.huffysports.com/customer\\_support/product\\_registration](http://www.huffysports.com/customer_support/product_registration)  
or mail-in the enclosed postcard.

## FRONT VIEW

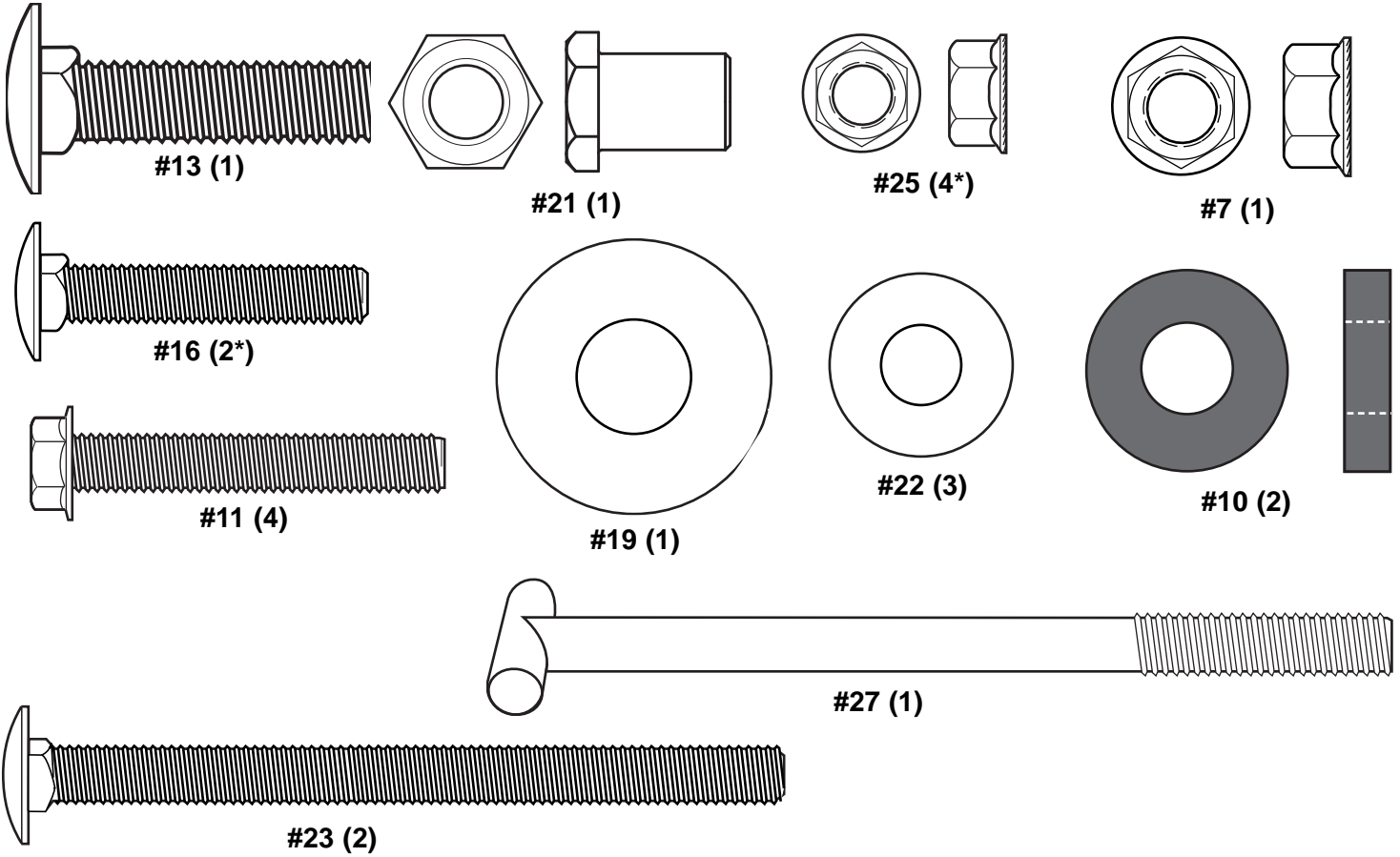


## PARTS LIST

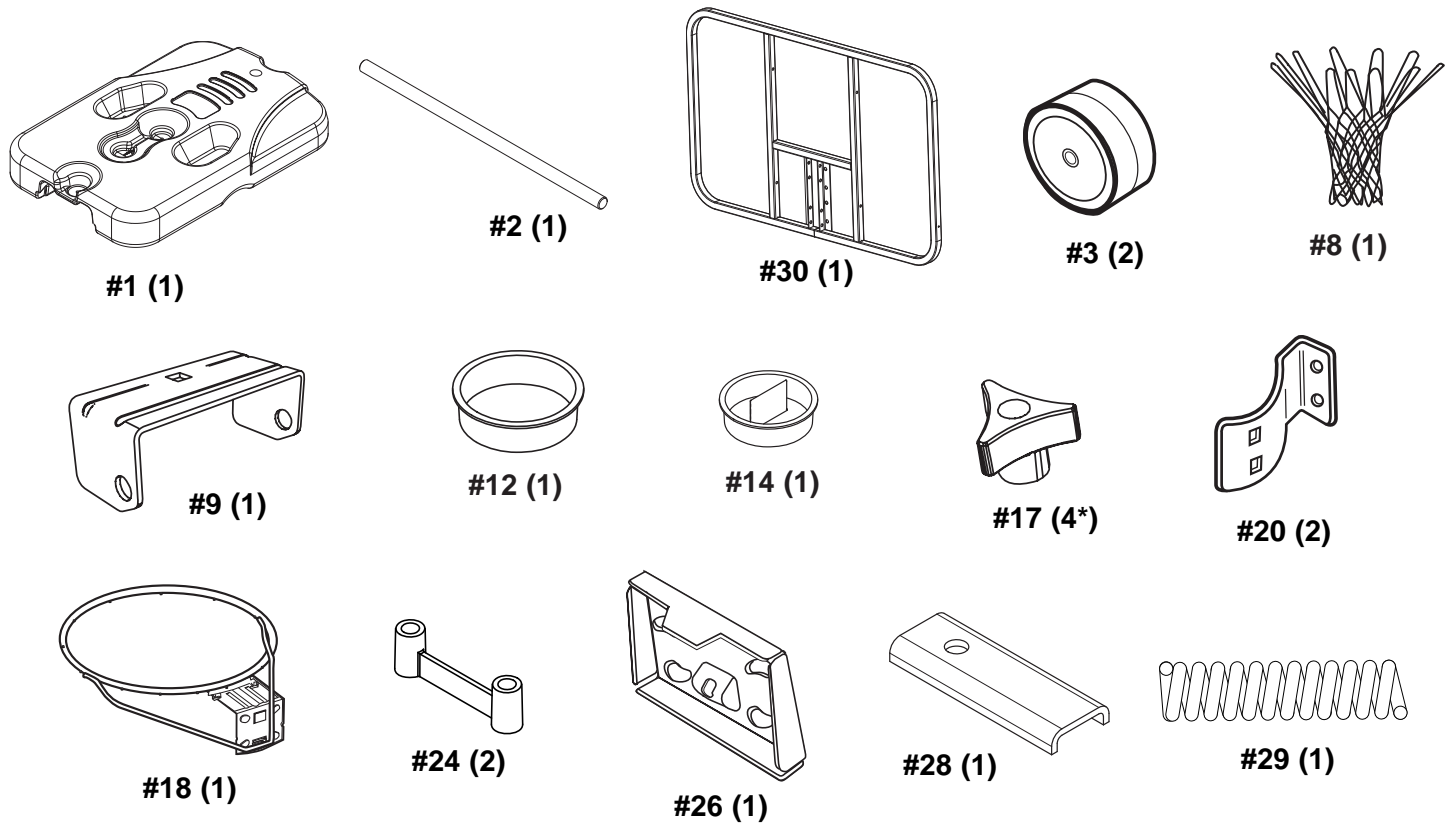
<input checked="" type="checkbox"/>	<u>Item</u>	<u>Qty.</u>	<u>Part No.</u>	<u>Description</u>
<input type="checkbox"/>	1	1	206646	Tank (Black)
<input type="checkbox"/>	2	1	200628	Wheel Axle
<input type="checkbox"/>	3	2	226401	Wheel
<input type="checkbox"/>	4	1	908200	Top Pole Section
<input type="checkbox"/>	5	1	908246	Middle Pole Section with Label
<input type="checkbox"/>	6	1	900644	Bottom Pole Section Assembly
<input type="checkbox"/>	7	1	203041	Nut, Hex Flange, 3/8-16
<input type="checkbox"/>	8	1		Net
<input type="checkbox"/>	9	1	201342	Wheel Bracket
<input type="checkbox"/>	10	2	201651	Spacer, Wheel Axle
<input type="checkbox"/>	11	4	203104	Bolt, Hex-Flange 5/16-18 x 2" Long
<input type="checkbox"/>	12	1	206219	Cap
<input type="checkbox"/>	13	1	266001	Bolt, Carriage, 3/8-16 x 1.5 Long
<input type="checkbox"/>	14	1	203617	Tank Cap
<input type="checkbox"/>	15	1	5E2356	Label, Moving System and Height Adjust.
<input type="checkbox"/>	16	2*	203084	Bolt, Carriage, 5/16-18 x 1.75 Long
<input type="checkbox"/>	17	4*	201344	Knob, Plastic, 3-sided
<input type="checkbox"/>	18	1		Rim
<input type="checkbox"/>	19	1	203470	Washer, Flat 5/8 I.D. x 1-1/2 O.D.
<input type="checkbox"/>	20	2	900057	Backboard Mounting Bracket
<input type="checkbox"/>	21	1	203795	Nut, Special 3/8-NC
<input type="checkbox"/>	22	3	203309	Washer, .406 I.D. x 1.0 O.D.
<input type="checkbox"/>	23	2	203053	Bolt, Carriage 5/16-18 x 4
<input type="checkbox"/>	24	2	200837	Board Spacer
<input type="checkbox"/>	25	4*	203100	Nut, Hex Flange, 5/16-18
<input type="checkbox"/>	26	1	900033	Slam Jam Bracket, Black
<input type="checkbox"/>	27	1	203796	Bolt, "Tee" 3/8-NC x 5 Long
<input type="checkbox"/>	28	1	200318	Bracket Reinforcement, Slam Jam
<input type="checkbox"/>	29	1	203472	Spring, Black
<input type="checkbox"/>	30	1		Backboard

\* YOU MAY HAVE EXTRA PARTS WITH THIS MODEL.

## PARTS IDENTIFIER- Actual Size

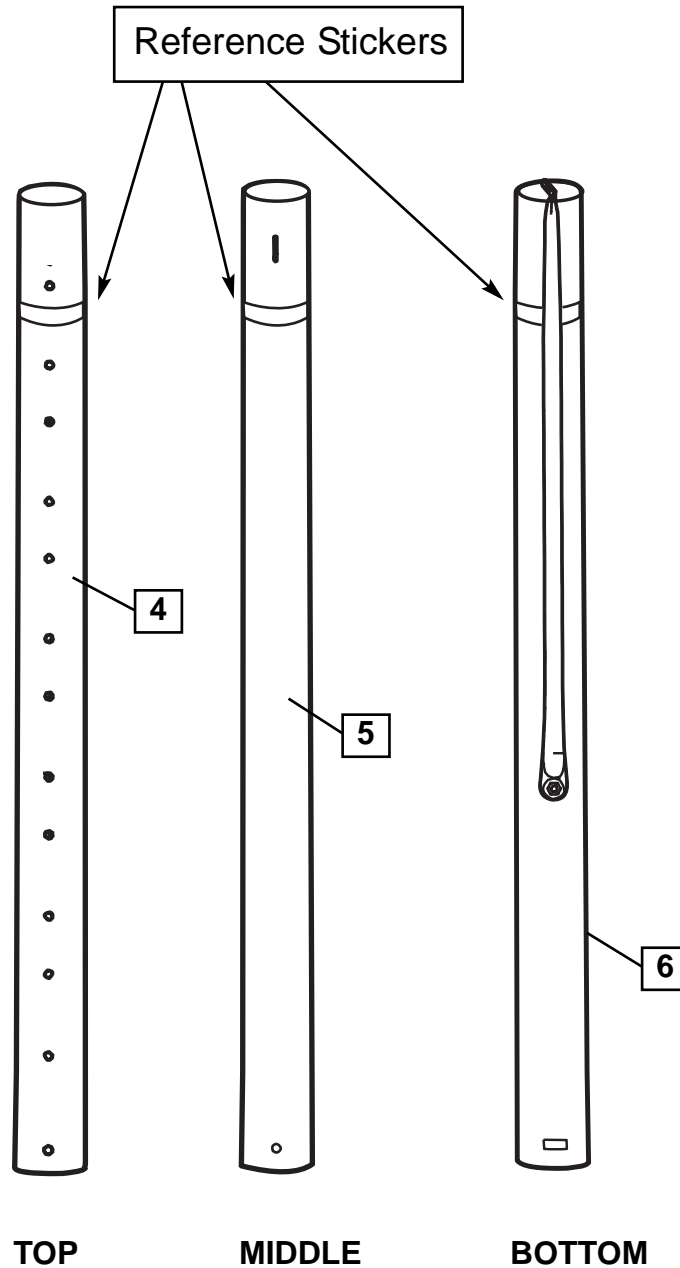


## PARTS IDENTIFIER- Not Actual Size



## SECTION A: ASSEMBLE THE POLES

1. Correctly identify each pole section. Poles have an identification sticker that will be used as a reference point in the next step.



# IMPORTANT!

ONCE POLE SECTIONS ARE POUNDED TOGETHER- THEY CANNOT BE TAKEN APART

2. Align poles using **alignment marks**. First, pound top and middle poles together by bouncing them on a scrap piece of wood on the ground as shown in **FIG A.** until they no longer move toward pole identification stickers. **THEN** add bottom pole section and pound together in the same way **FIG B.**

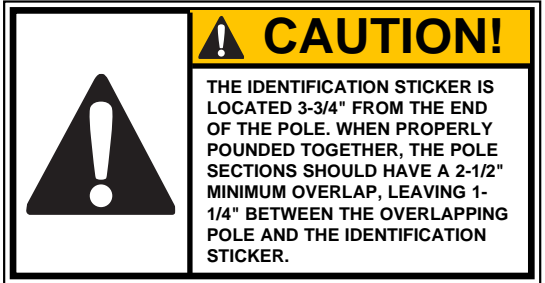
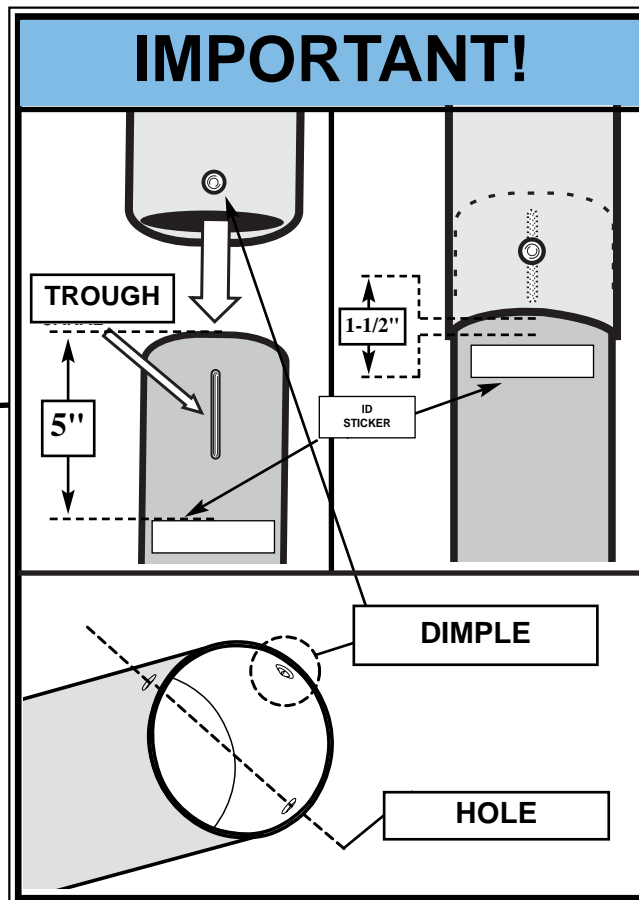
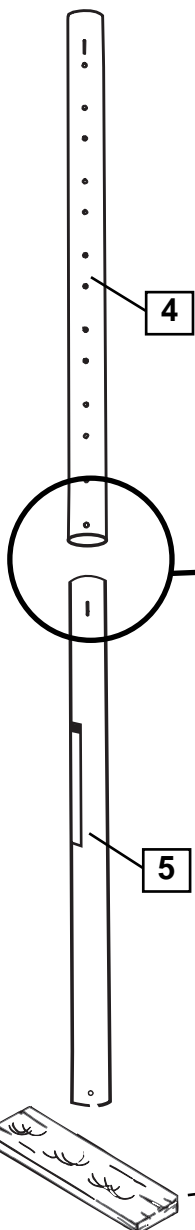
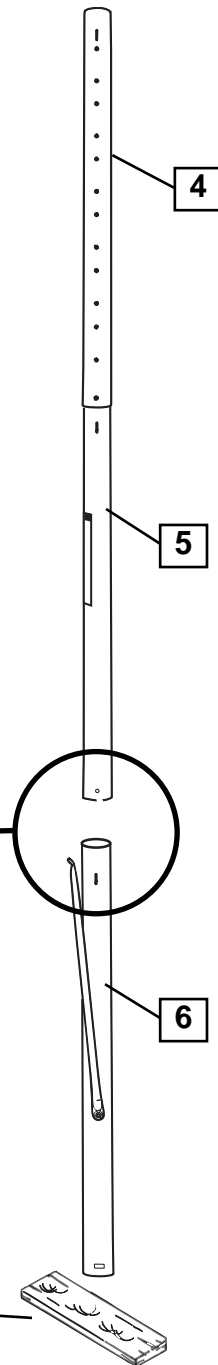


FIG. A.



Wood Scrap  
(NOT SUPPLIED)

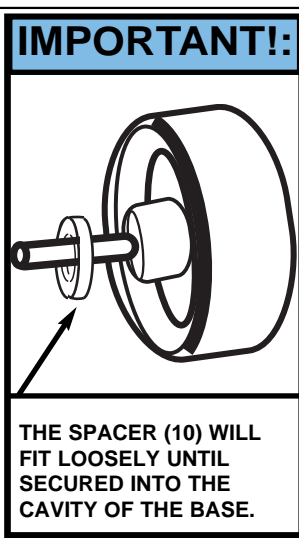
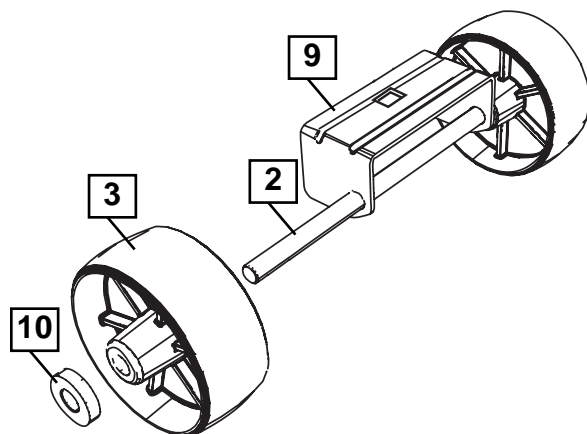
FIG. B.



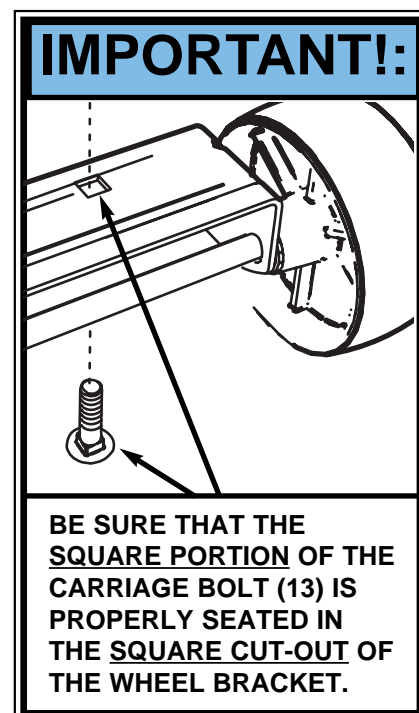
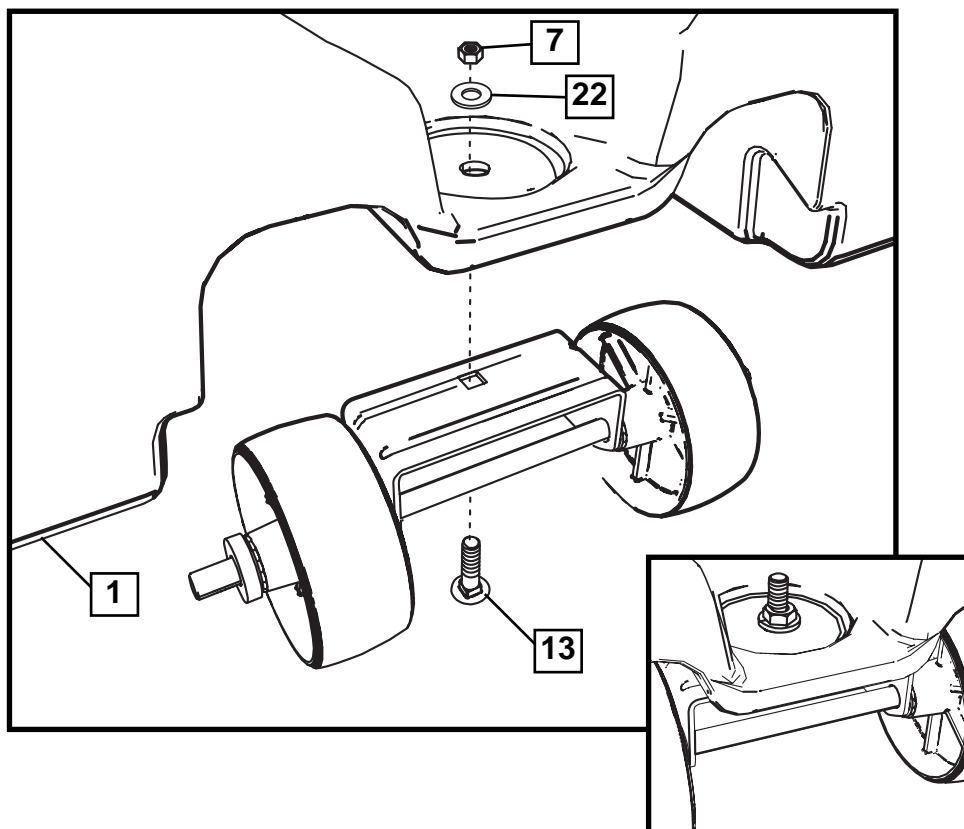


## SECTION B: ASSEMBLE THE BASE

3. Install wheel axle (2) through wheel bracket (9) and install wheels (3) onto wheel axle (2) with spacers (10) as shown.



4. Attach wheel carriage assembly to base (1) with bolt (13), washer (22), and nut (7) as shown. FINGER TIGHTEN - NO TOOLS REQUIRED. Assembly will be fully tightened in next step.



# 5.

Attach pole assembly to tank assembly as shown. Secure pole assembly to tank and wheel bracket by turning the pole assembly clockwise as shown. Tighten pole completely and further rotate pole until struts are aligned correctly as shown in **FIG B**.



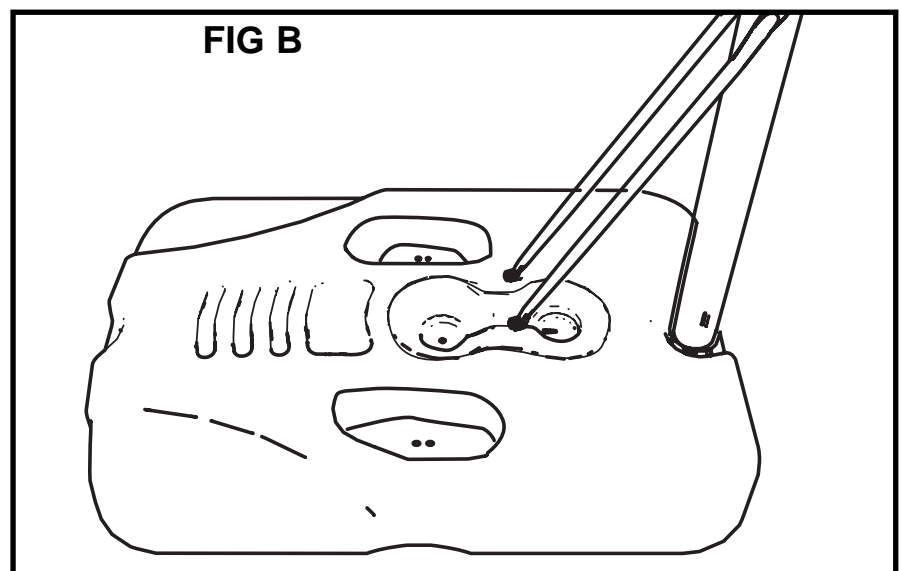
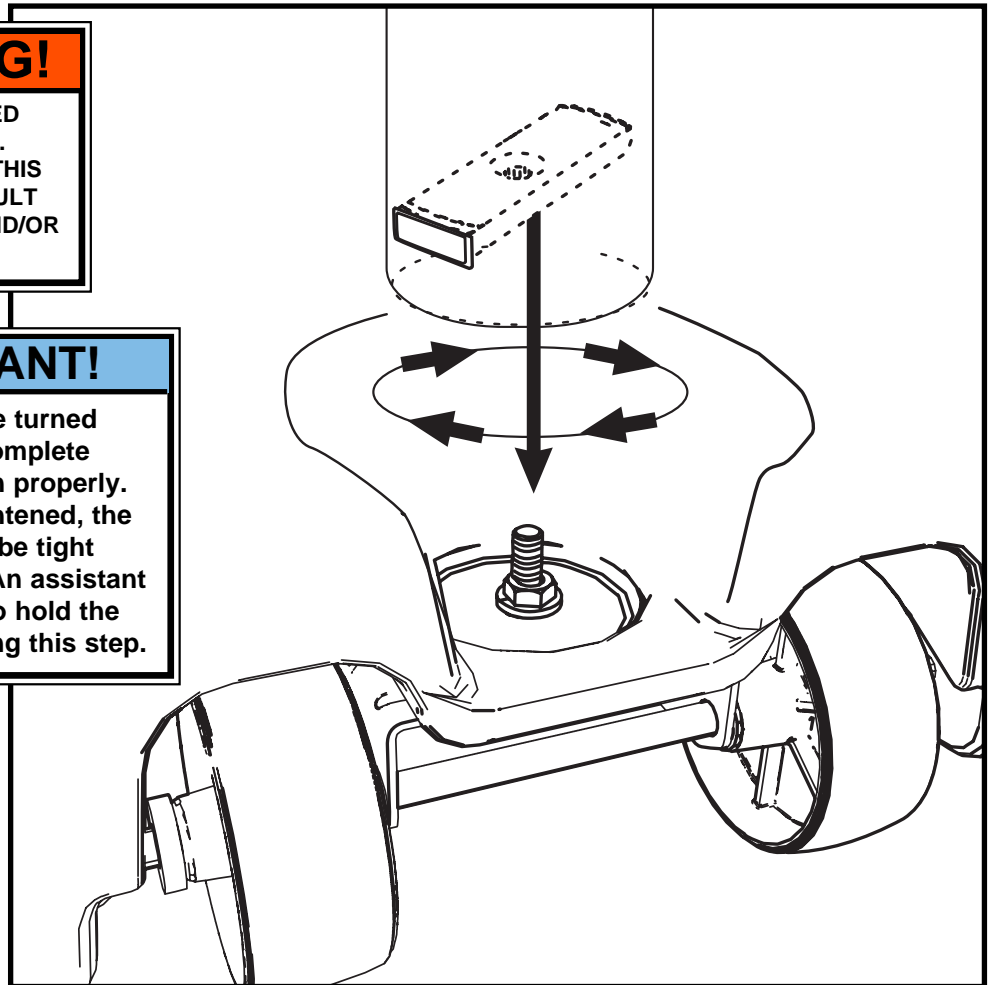
## **! WARNING!**

TWO PEOPLE REQUIRED FOR THIS PROCEDURE. FAILURE TO FOLLOW THIS WARNING COULD RESULT IN SERIOUS INJURY AND/OR PROPERTY DAMAGE.



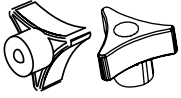
## **IMPORTANT!**

The pole should be turned approximately 7 complete rotations to tighten properly. When properly tightened, the wheel bracket will be tight against the base. An assistant is recommended to hold the base in place during this step.



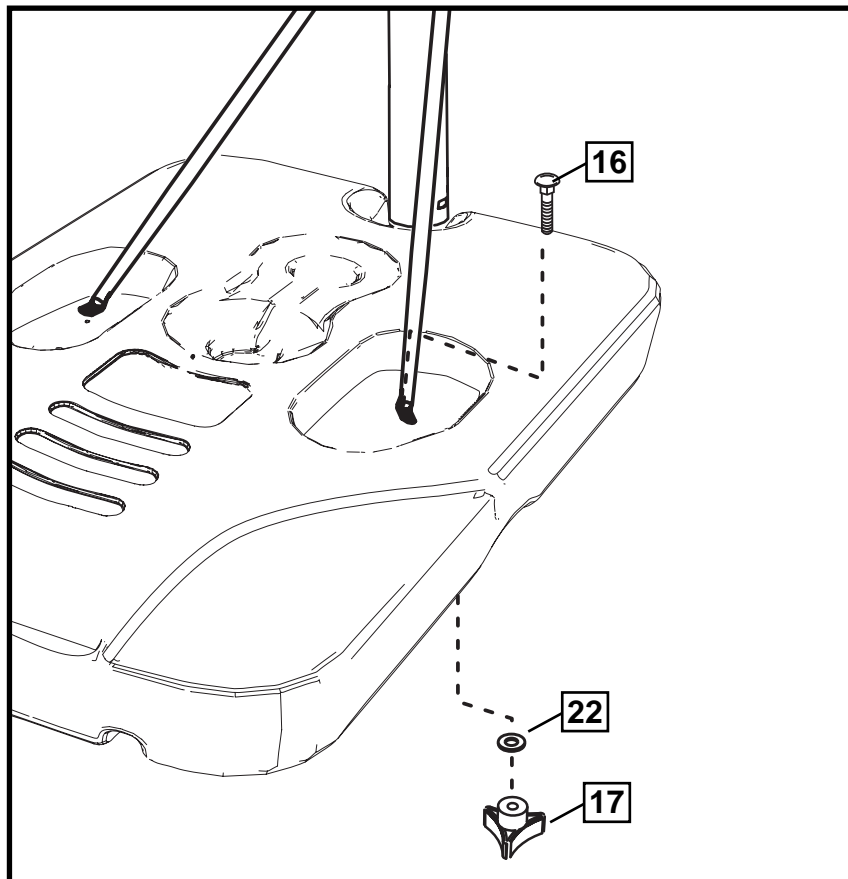
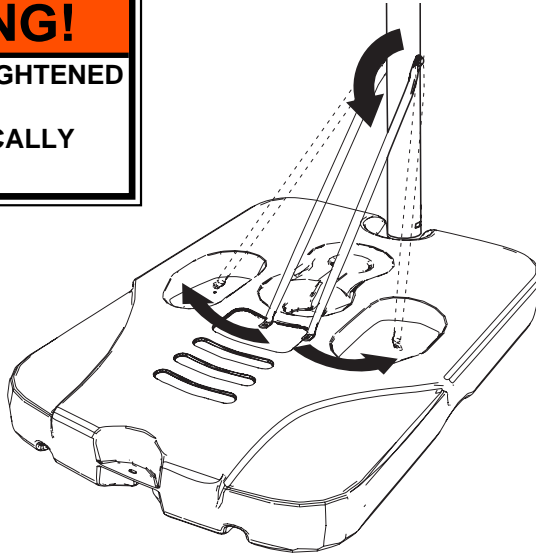
# 6.

Rotate struts down and bend struts outward to line up with holes on base as shown. Secure free ends of tank struts to tank with carriage bolt (16), washer (22), and knob (17) as shown. Repeat for other side.



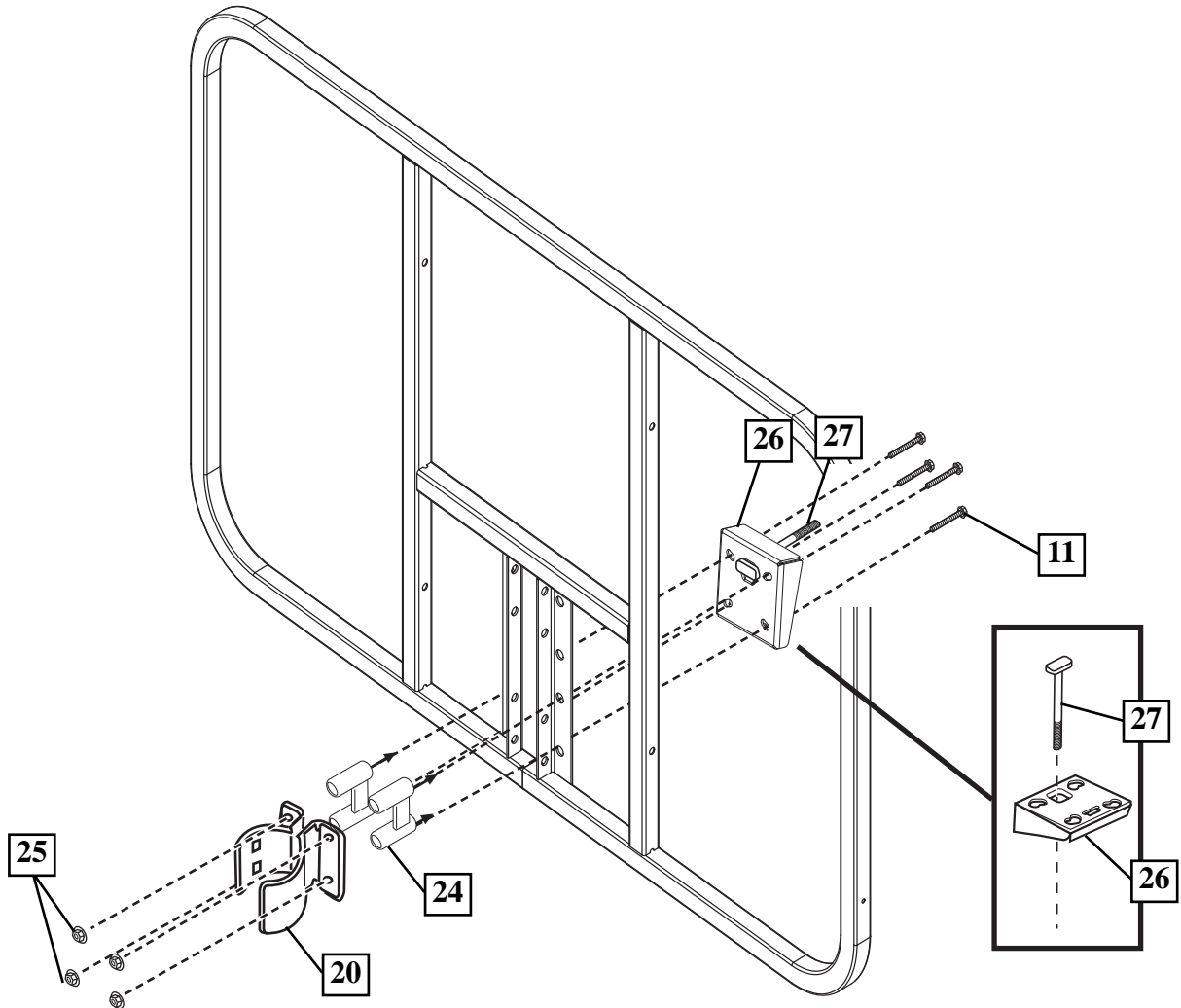
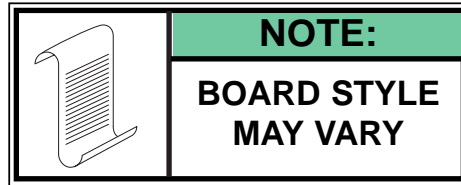
**! WARNING!**

**KNOBS MUST BE TIGHTENED COMPLETELY AND CHECKED PERIODICALLY FOR TIGHTNESS.**



# 7.

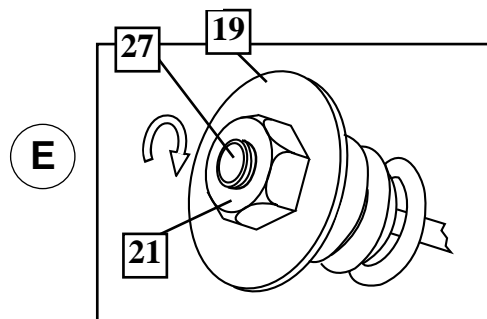
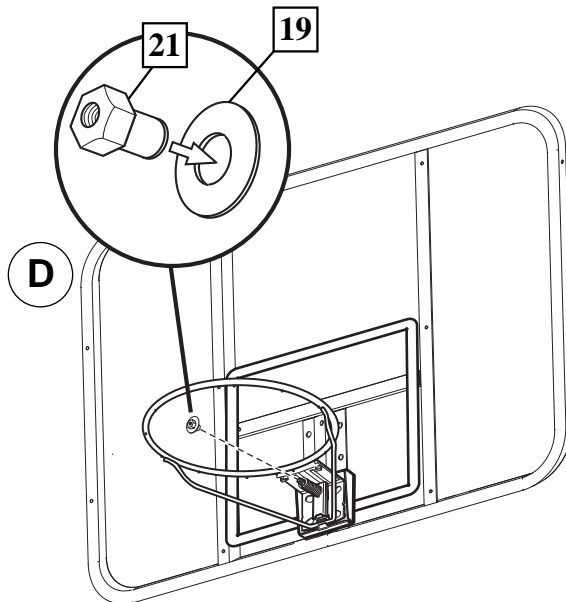
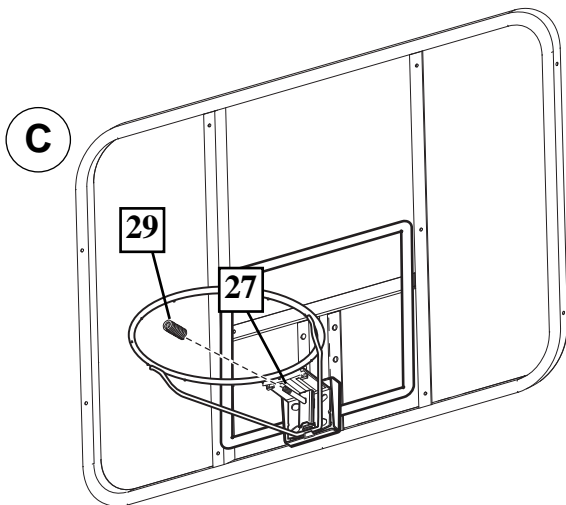
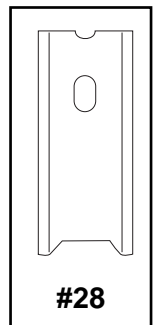
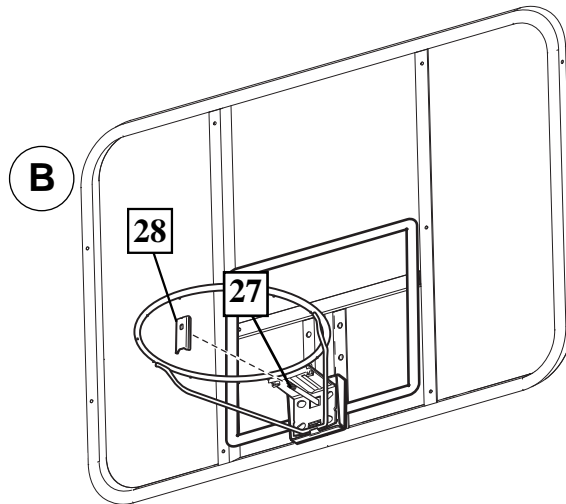
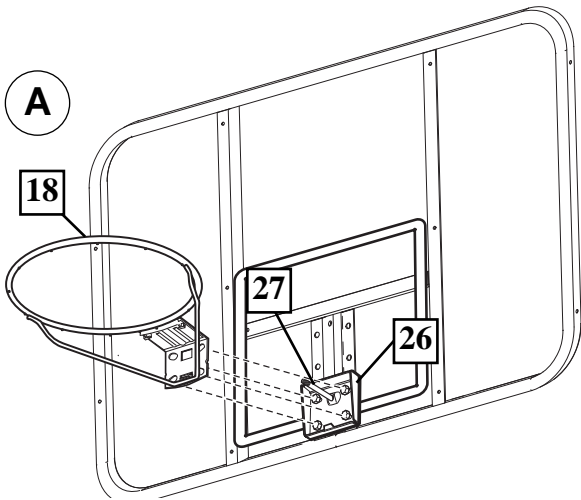
Mount brackets (20 & 26) to backboard and finger tighten as shown.  
**NOTE:** Final adjustments will be made in Step 10.



# 8.

## Install Slam Jam Rim to Backboard

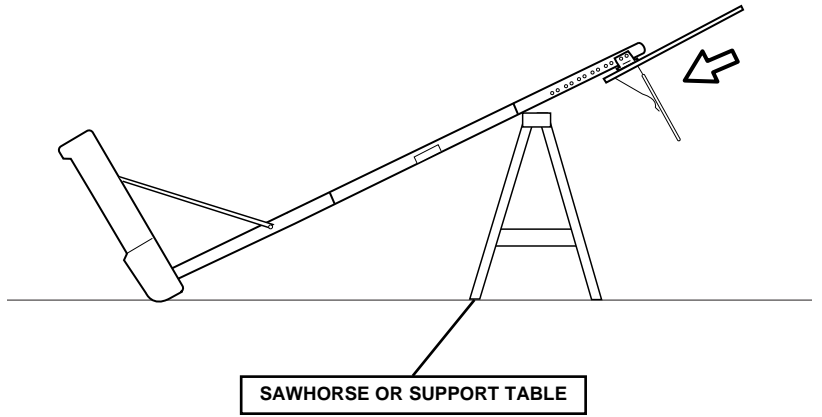
- A • Fit rim (18) securely into bracket (26) as shown (Allow "T"-bolt (27) to slip through center hole in rim (18)).
- B • Install reinforcement bracket (28) onto "T" bolt (27) as shown.
- C • Install spring (29) onto "T" bolt (27) as shown.
- D • Install special nut (21) and washer (19) onto "T" bolt (27).
- E • Tighten nut (21) until flush with end of "T" bolt (27).



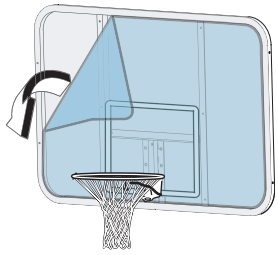
9. Support pole and tank assembly over support table.  
Carefully slide backboard components onto pole.

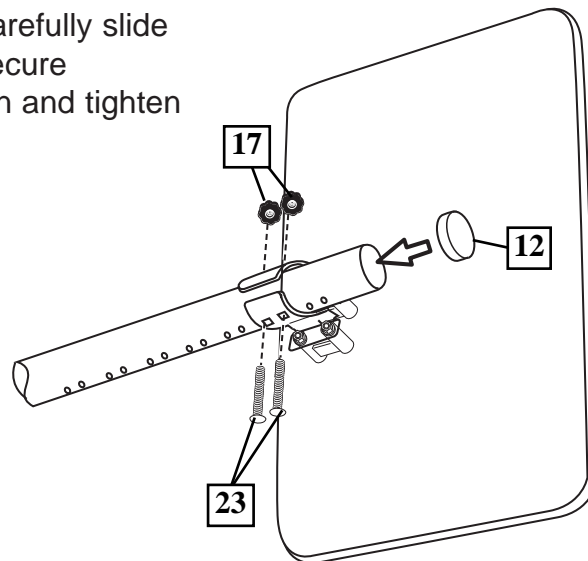
	<b>! WARNING!</b>
	TWO PEOPLE REQUIRED FOR THIS PROCEDURE. FAILURE TO FOLLOW THIS WARNING COULD RESULT IN SERIOUS INJURY AND/OR PROPERTY DAMAGE.

	<b>! WARNING!</b>
	DO NOT LEAVE ASSEMBLY UNATTENDED WHEN EMPTY; IT MAY TIP OVER.

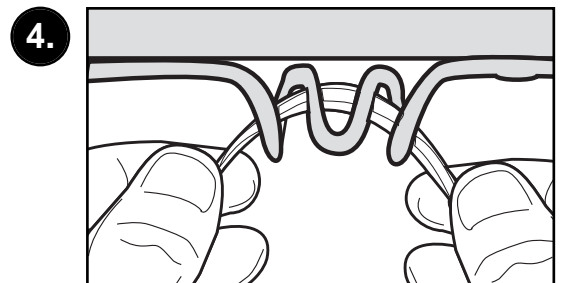
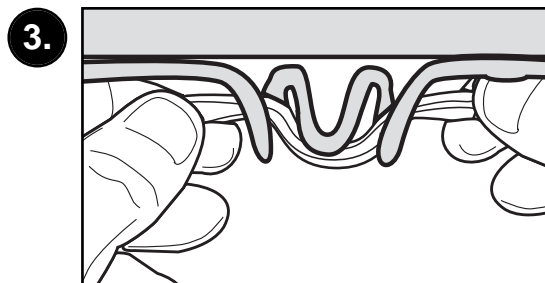
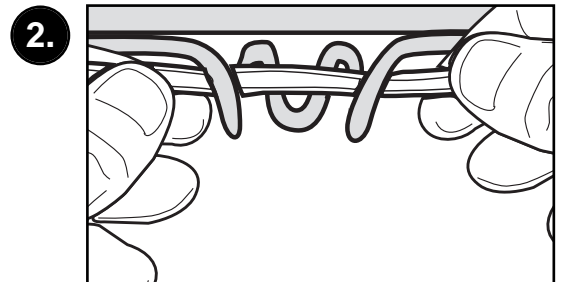
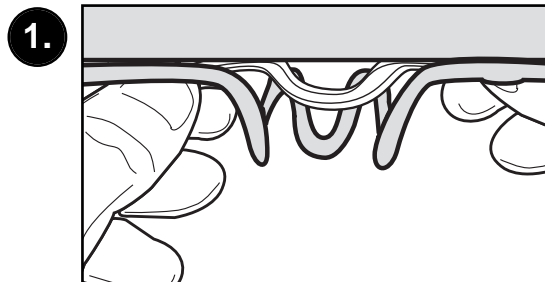


10. While still in the horizontal position, carefully slide backboard components onto pole. Secure hardware at desired position as shown and tighten all hardware completely at this time.

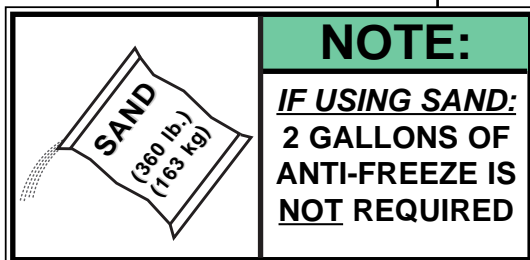
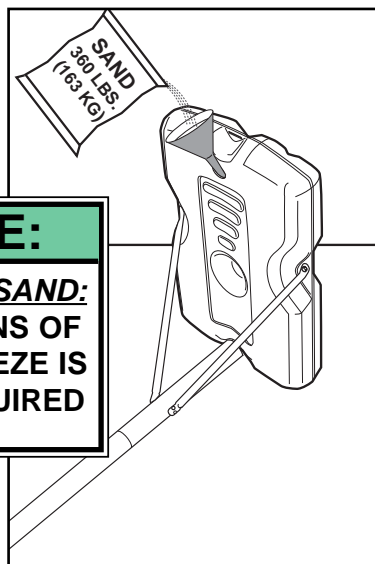
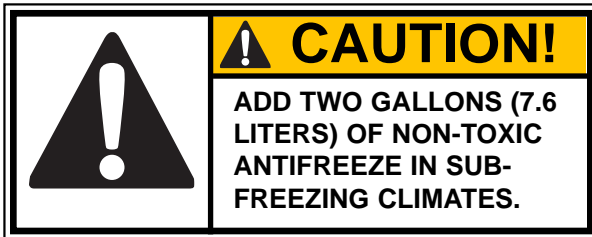
	<b>NOTE:</b>
	Peel protective film from surface of acrylic backboard prior to use.



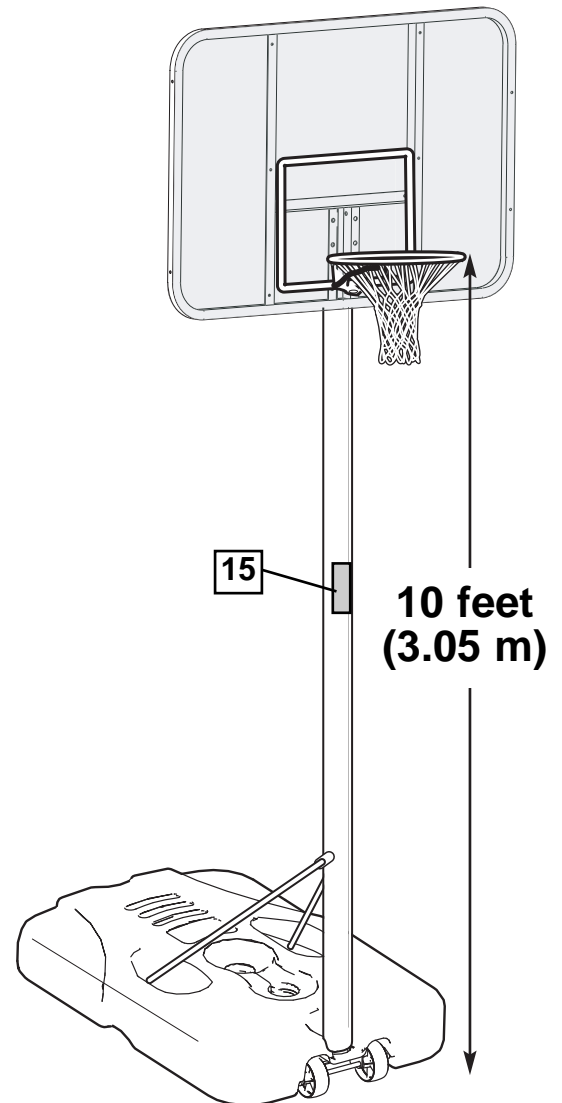
11. Attach net (8).



- 12.** Place assembled unit in desired location. Fill tank with water (26 gallons/98.4 liters) or sand (approx. 360 lb./163 kg) and snap tank cap (14) in place.



- 13.** Attach height and moving label (15) to front of pole as shown. Regulation rim height is 10 feet.



## Free Manuals Download Website

<http://myh66.com>

<http://usermanuals.us>

<http://www.somanuals.com>

<http://www.4manuals.cc>

<http://www.manual-lib.com>

<http://www.404manual.com>

<http://www.luxmanual.com>

<http://aubethermostatmanual.com>

Golf course search by state

<http://golfingnear.com>

Email search by domain

<http://emailbydomain.com>

Auto manuals search

<http://auto.somanuals.com>

TV manuals search

<http://tv.somanuals.com>