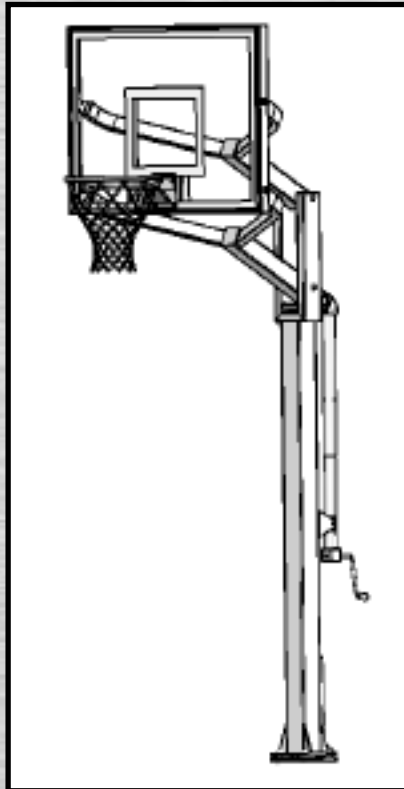


# High End Residential In-Ground Basketball System Owners Manual

Customer Service Center

• N53 W24700 South Corporate Circle • Sussex, WI 53089 • U.S.A.



**Write Model Number  
From Box Here:**



**! WARNING!**

**READ AND UNDERSTAND  
OPERATOR'S MANUAL  
BEFORE USING THIS UNIT.**

**FAILURE TO FOLLOW  
OPERATING INSTRUCTIONS  
COULD RESULT IN INJURY  
OR DAMAGE TO PROPERTY.**

Toll-Free Customer Service Number for U.S: **1-800-334-9111**

Hydra-Rib Internet Address: <http://www.hydra-rib.com>

Spalding Internet Address: <http://www.spalding.com>

# SAFETY INSTRUCTIONS

FAILURE TO FOLLOW THESE SAFETY INSTRUCTIONS MAY RESULT IN SERIOUS INJURY, PROPERTY DAMAGE AND WILL VOID WARRANTY.

*Owner must ensure that all players know and follow these rules for safe operation of the system.*

To ensure safety, do not attempt to assemble this system without following the instructions carefully. Proper and complete assembly, use and supervision is essential for proper operation and to reduce the risk of accident or injury. A high probability of serious injury exists if this system is not installed, maintained, and operated properly. Check entire box and inside all packing material for parts and/or additional instructional material. Before beginning assembly, read the instructions and identify parts using the hardware identifier and parts list in this document.

- If using a ladder during assembly, use extreme caution.
- Two (2) people are recommended for this operation.
- Before digging, contact utility company to locate underground power cables, gas, and water lines. Ensure there are no overhead power lines within 20 ft. (7 m) radius of pole location.
- Climate, corrosion, excessive use, or misuse could result in system failure.
- If technical assistance is required, contact Customer Service.
- Minimum operational height is 6'6" (1.98 m) to the bottom of backboard.
- This equipment is intended for home recreational use only and NOT excessive competitive play.
- Read and understand the warning label affixed to pole.
- The life of your basketball pole depends on many conditions. The climate, placement of the pole, the location of the pole, exposure to corrosives such as pesticides, herbicides or salts are all important.
- Adult supervision is recommended when adjusting height.
- Serious injury could occur if teeth/face come in contact with backboard, net, or rim.

*Most injuries are caused by misuse and/or not following instructions. Use caution when using this system.*

For more information on assembly, placement, proper use and maintenance, visit The American Basketball Council website at <http://www.smarthoops.com>.



## WARNING

Read and understand warnings listed below before using this product.

Failure to follow these warnings may result in serious injury and/or property damage.

Owner must ensure that all players know and follow these rules for safe operation of the system.

- DO NOT HANG on the rim or any part of the system including backboard, support braces or net.
- During play, especially when performing dunk type activities, keep player's face away from the backboard, rim and net. Serious injury could occur if teeth/face come in contact with backboard, rim or net.
- Do not slide, climb, shake or play on base and/or pole.
- When adjusting height or moving system, keep hands and fingers away from moving parts.
- Do not allow children to move or adjust system.
- During play, do not wear jewelry (rings, watches, necklaces, etc.). Objects may entangle in net.
- Keep organic material away from pole base. Grass, litter, etc. could cause corrosion and/or deterioration.
- Check pole system for signs of corrosion (rust, pitting, chipping) and repaint with exterior enamel paint. If rust has penetrated through the steel anywhere, replace pole immediately.
- Check system before each use for proper ballast, loose hardware, excessive wear and signs corrosion and repair before use.
- Check system before each use for instability.
- Never play on damaged equipment.
- Keep pole top covered with cap at all times.
- See instruction manual for proper installation and maintenance.

**SPALDING**  
In the U.S.: 1-800-xxx-xxxx  
Canada: 1-800-xxx-xxxx

**HYDRA-RIB**  
In the U.S.: 1-800-xxx-xxxx  
Canada: 1-800-xxx-xxxx


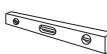






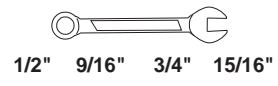
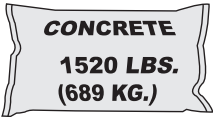
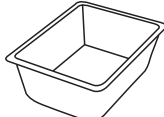



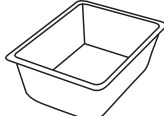
**RUSSELL ATHLETIC**

**SURE SHOT**  
In the U.S.: 1-800-xxx-xxxx  
Canada: 1-800-xxx-xxxx

**HUFFY SPORTS**  
In the U.S.: 1-800-xxx-xxxx  
Canada: 1-800-xxx-xxxx

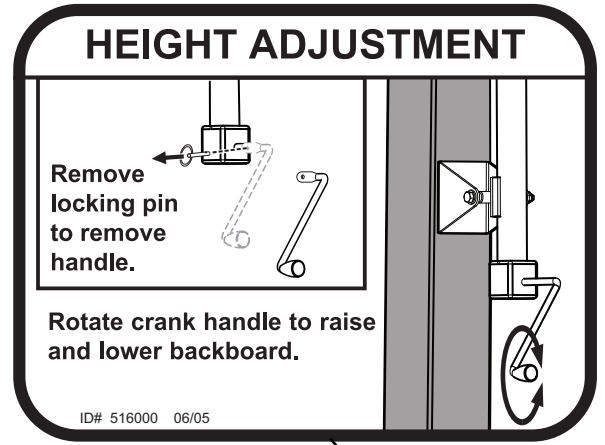
ID#: 588000 01/05

## REQUIRED TOOLS AND MATERIALS:

 • <b>3 People</b>  • <b>Carpenter's Level</b>  • <b>15' Tape Measure</b>  • <b>Shovel &amp; Post Hole Digger</b>  • <b>Wood Board (scrap)</b>	 • <b>(2) Stepladders 8 ft. (2.4 m)</b>  • <b>Safety Goggles</b>  • <b>(2 each) Wrenches and/or Socket Wrenches and Sockets (Deep-Well Sockets are Recommended).</b>  1/2" 9/16" 3/4" 15/16"  1/2" 9/16" 3/4" 15/16"	 • <b>(1) Utility Knife</b>  • <b>Phillips-Head Screwdriver</b>  • <b>Optional: Large &amp; Small Adjustable Wrenches</b>	 <b>CONCRETE</b> • <b>1520 LBS. (689 KG.)</b> • <b>Container to Mix</b> 
---	---	---	---

# PARTS LIST

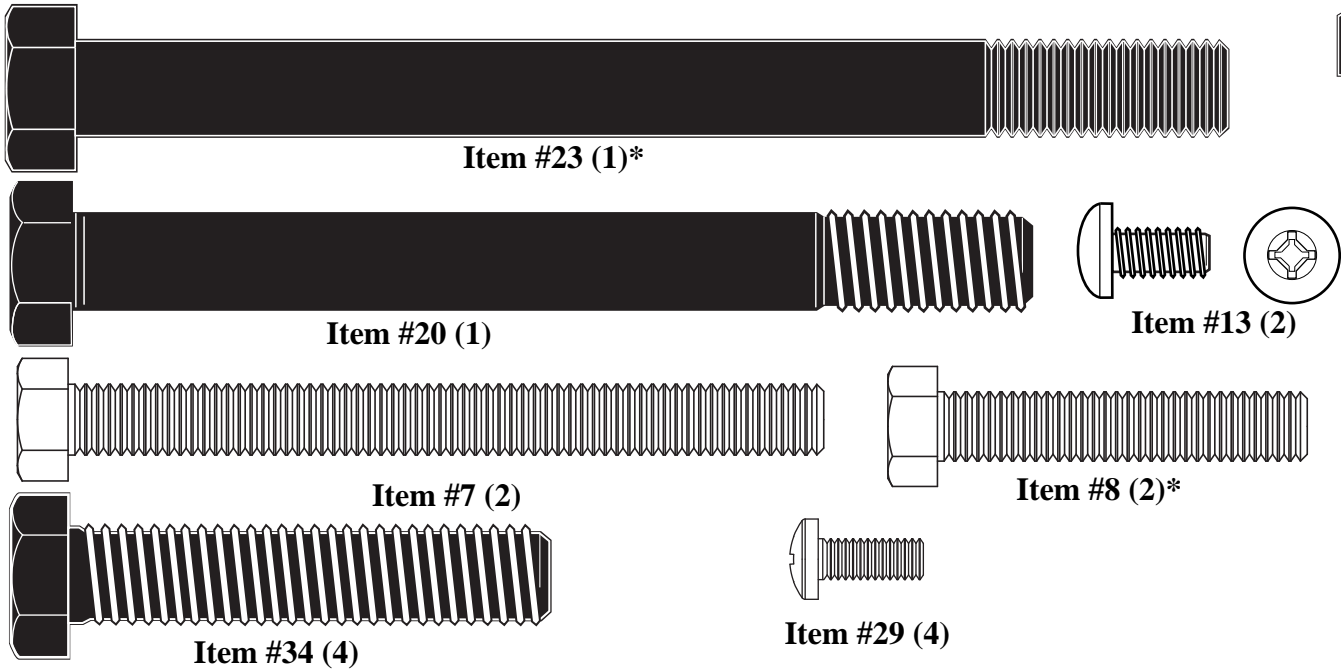
<input checked="" type="checkbox"/>	<u>Item</u>	<u>Qty.</u>	<u>Part No.</u>	<u>Description</u>
<input type="checkbox"/>	1	1	968880	Pole
<input type="checkbox"/>	2	1	998880	Plate, Anchor, Black
<input type="checkbox"/>	3	1		Rim Assembly
<input type="checkbox"/>	4	1		Net
<input type="checkbox"/>	5	4	203017	Nut, Hex, 3/8-16
<input type="checkbox"/>	6	4	203300	Washer, 3/8 Locking, .380 I.D., .63 O.D.
<input type="checkbox"/>	7	2	250001	Bolt, Hex, Tap, 3/8-16 x 4" Long
<input type="checkbox"/>	8	2*	250002	Bolt, Hex, Tap, 3/8-16 x 2" Long
<input type="checkbox"/>	9	1	203457	Label, Logo, Vinyl, 2.3" x 2.7"
<input type="checkbox"/>	10	1		Backboard
<input type="checkbox"/>	11	1	516000	Label, Height Adjustment
<input type="checkbox"/>	12	1	204940	Screw Jack
<input type="checkbox"/>	13	2	220563	Screw, 1/4-20 x 1/2" Long, Rim Cover
<input type="checkbox"/>	14	1	80854501	Rod, Threaded Assembly, 5/8-11 x 19.8", Zinc
<input type="checkbox"/>	15	4	203309	Washer, Flat, 3/8"
<input type="checkbox"/>	16	1		Cover, Rim
<input type="checkbox"/>	17	1	978880	Yoke, Upper, Center, Pole
<input type="checkbox"/>	18	1	988883	Yoke, Lower, Center, Pole
<input type="checkbox"/>	19	4	200573	Bolt, J, 5/8-11 x 24, 3" Thread
<input type="checkbox"/>	20	1	203630	Bolt, Hex, 1/2-13 x 5, Black Oxide
<input type="checkbox"/>	21	16	203635	Washer, Flat, .053 I.D., 1.08 O.D., Black Oxide
<input type="checkbox"/>	22	10	203637	Nut, Lock, Nylon Insert, 1/2-13, Black Oxide
<input type="checkbox"/>	23	1*	203641	Bolt, Hex Head, 1/2"-13 x 6"
<input type="checkbox"/>	24	9	204046	Washer, 5/8 Flat, .656 I.D., 1.313 O.D., Black Oxide
<input type="checkbox"/>	25	12	204057	Nut, Hex, 5/8-11, Black Oxide
<input type="checkbox"/>	26	1	205008	Nut, Hex, 5/8-11, Grade 8
<input type="checkbox"/>	27	2	202666	Name Plate, Hydra-Rib or
			204521	Name Plate, Spalding
<input type="checkbox"/>	28	3	204728	Bolt, Hex, 1/2-13 x 9.25, Black Oxide
<input type="checkbox"/>	29	4	204733	Screw, #8, .50 Long
<input type="checkbox"/>	30	2	204735	Height Indicator, Plastic
<input type="checkbox"/>	31	1	204741	Label, Height Indicator, Right
<input type="checkbox"/>	32	1	204742	Label, Height Indicator, Left
<input type="checkbox"/>	33	2*	206311	Spacer, .52 I.D. x .75 O.D. x .5" Long, Plastic
<input type="checkbox"/>	34	4	205254	Bolt, Hex, 1/2-13 x 2.5, Black Zinc
<input type="checkbox"/>	35	1	204921	Washer, Barrel
<input type="checkbox"/>	36	1	204922	Pin, Hitch
<input type="checkbox"/>	37	1	204923	Pin, Cotter, #8
<input type="checkbox"/>	38	14	204670A	Bushing, Plastic
<input type="checkbox"/>	39	4	204670B	Bushing, Plastic
<input type="checkbox"/>	40	8	204670C	Bushing, Plastic



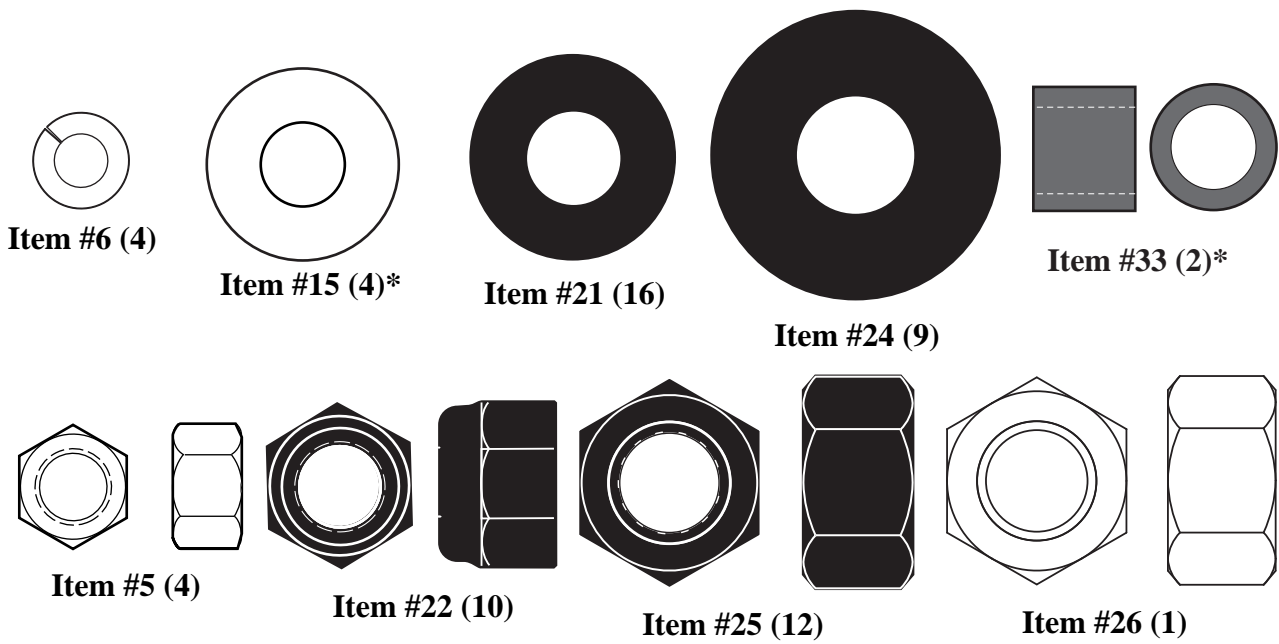
11

\* You May Have Extra Parts With This Model.

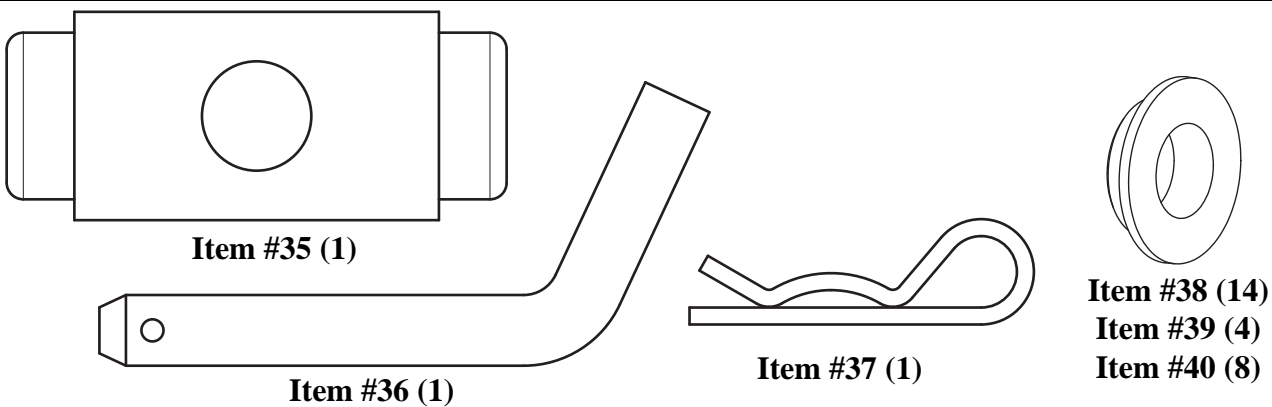
## HARDWARE IDENTIFIER (BOLTS & SCREWS)



## HARDWARE IDENTIFIER (NUTS, WASHERS & SPACERS)

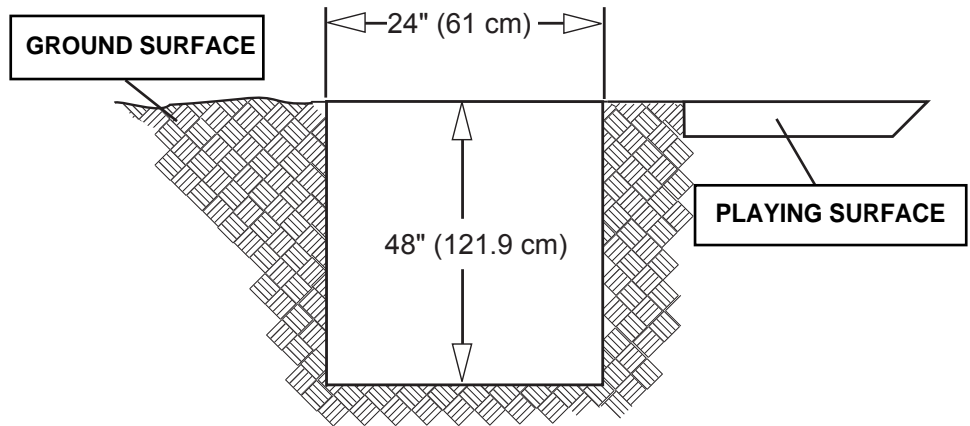
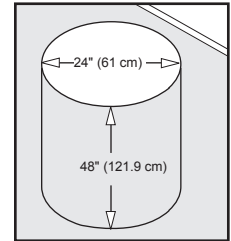


## HARDWARE IDENTIFIER (OTHER—NOT ACTUAL SIZE)



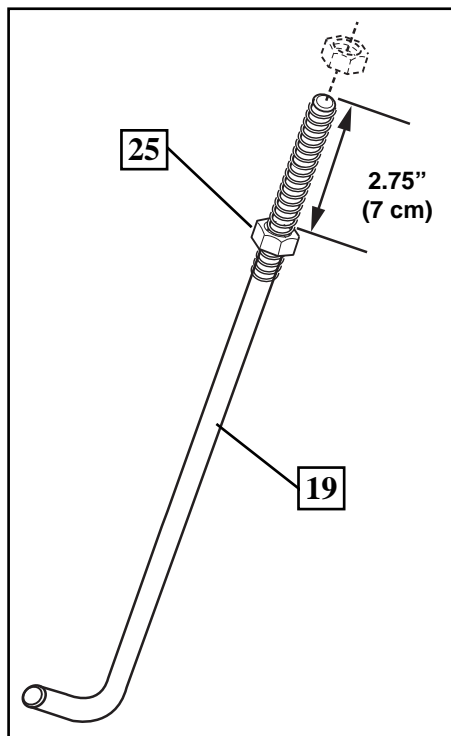
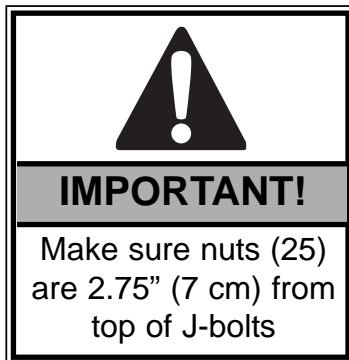
Item #28 (3)

1. Ensure ground is level with playing surface, then dig pole hole.



2.

Install nut (25) to J-bolt (19) as shown. Repeat procedure for remaining three J-bolts (19).



3.

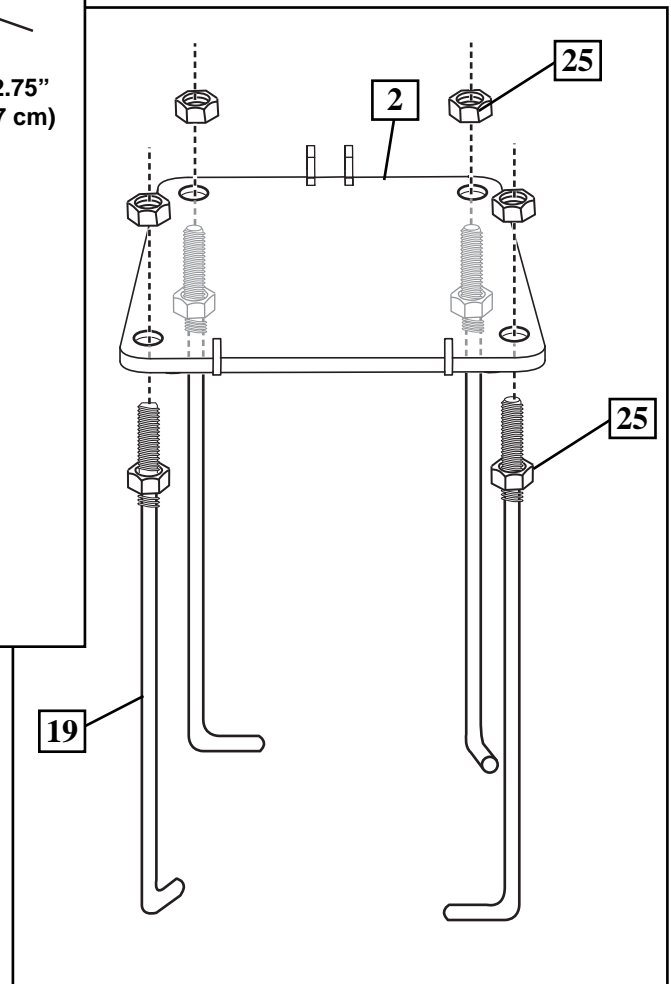
Install threaded ends of J-bolts (19) through holes in mounting plate (2) and secure as shown.



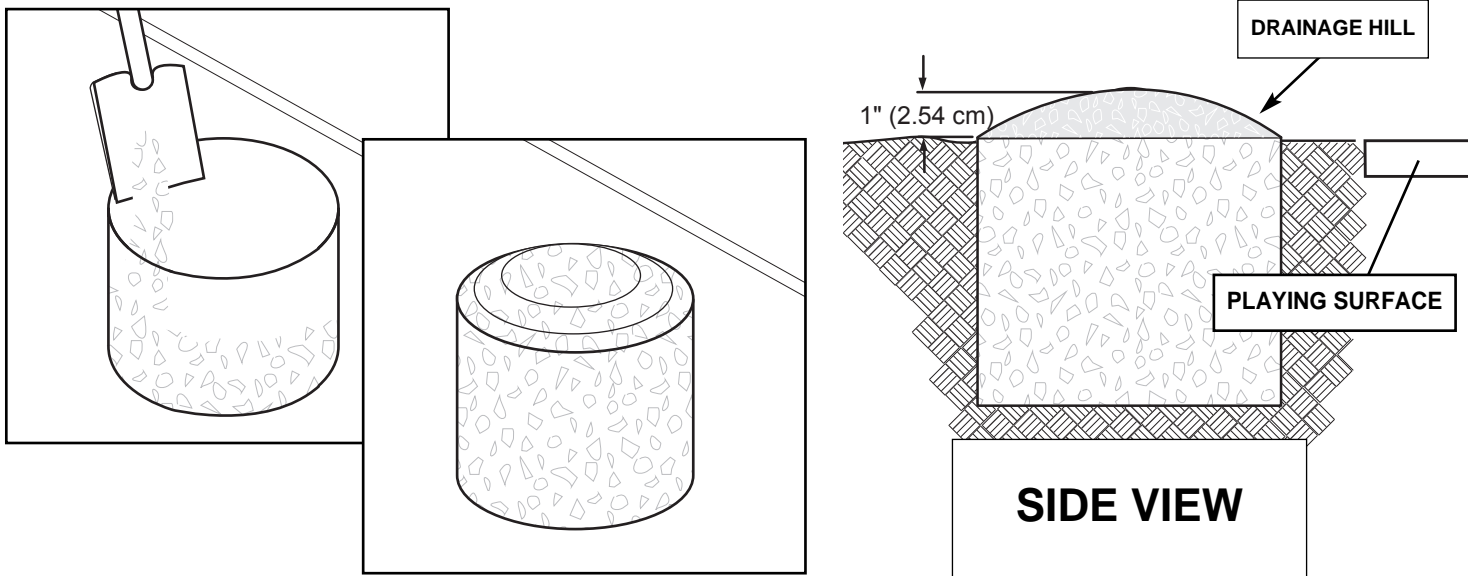
**NOTE:**

Make sure J-bolts (19) are in the illustrated position.

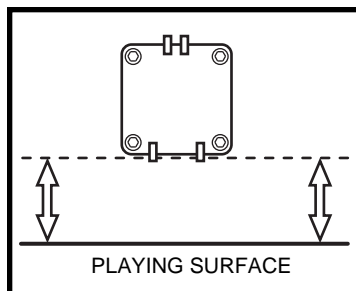
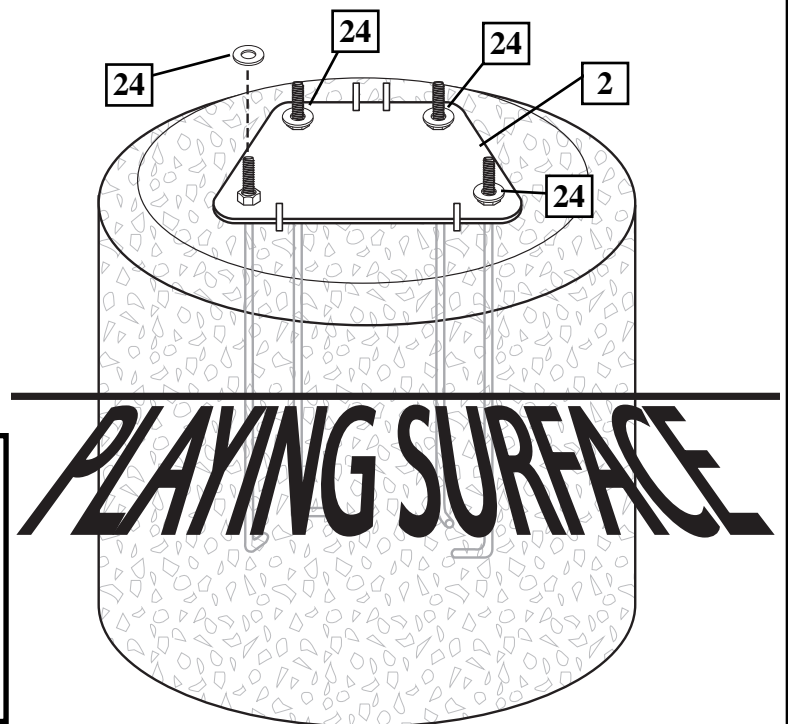
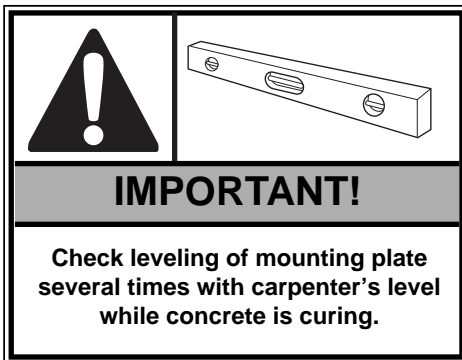
Nuts on the top of plate are used for leveling the pole after system is fully assembled.



4. Fill hole with concrete. Tamp down concrete to release air pockets and build drainage hill.



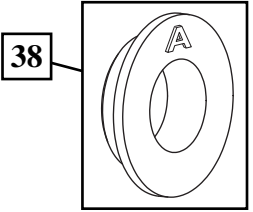
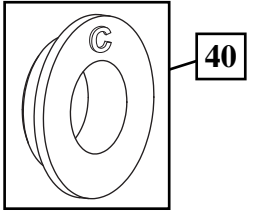
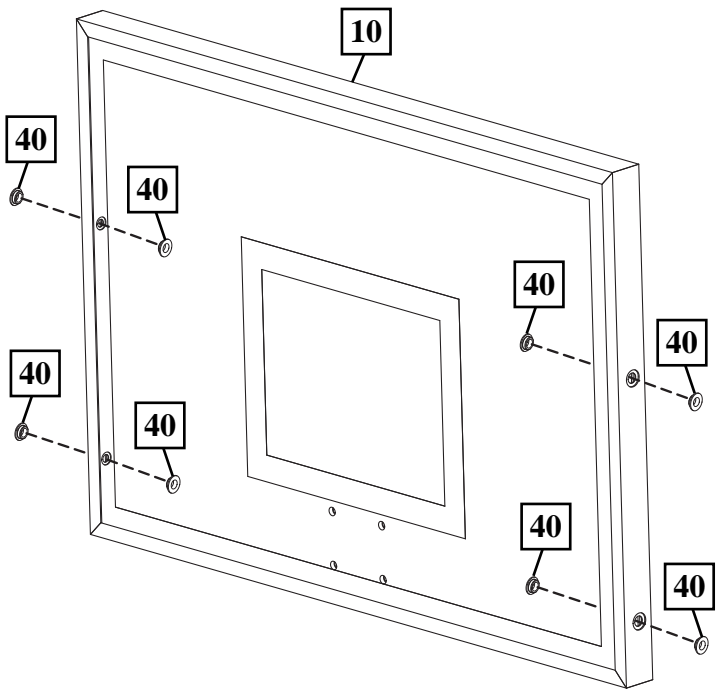
5. Insert J-bolts (19) from mounting plate (2) into cement as shown. Move assembly around to release any air pockets in cement, then rest mounting plate on cement drainage hill. Apply some pressure to level mounting plate on top of drainage hill. Level mounting plate and square with playing surface. Clean off any excess cement on mounting plate at this time and place washers (24) onto J-bolts.



**IMPORTANT!: WAIT A MINIMUM OF 72 HOURS BEFORE GOING ON TO NEXT STEP. CONCRETE MUST CURE. ALLOW ADDITIONAL TIME FOR COLD, WET OR HUMID WEATHER.**

6.

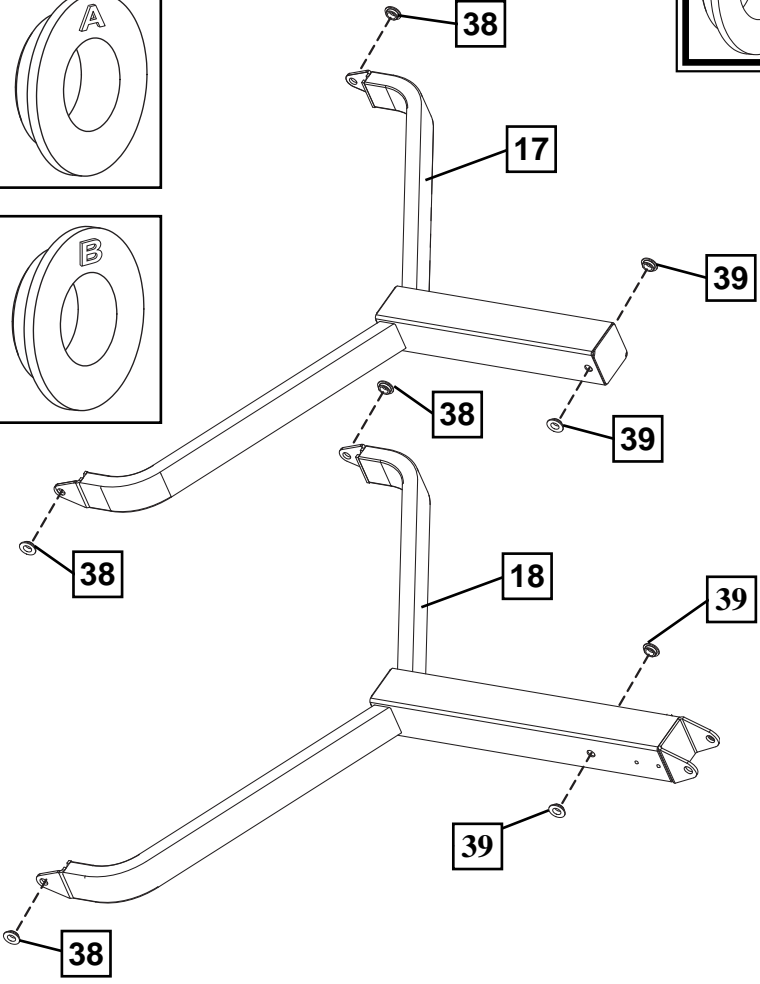
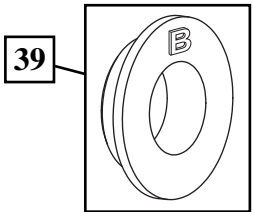
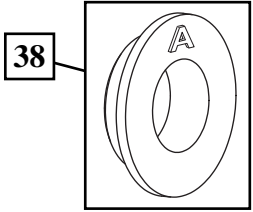
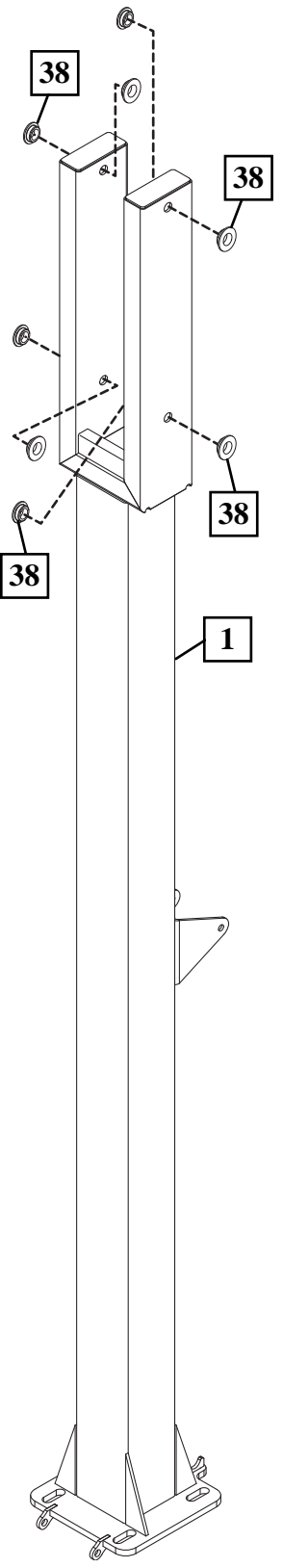
Insert bushings (38, 39, 40) into areas shown.



**! IMPORTANT!**

Bushing types are identified with a letter.

Close-up of bushing type A with an arrow pointing to the letter A.



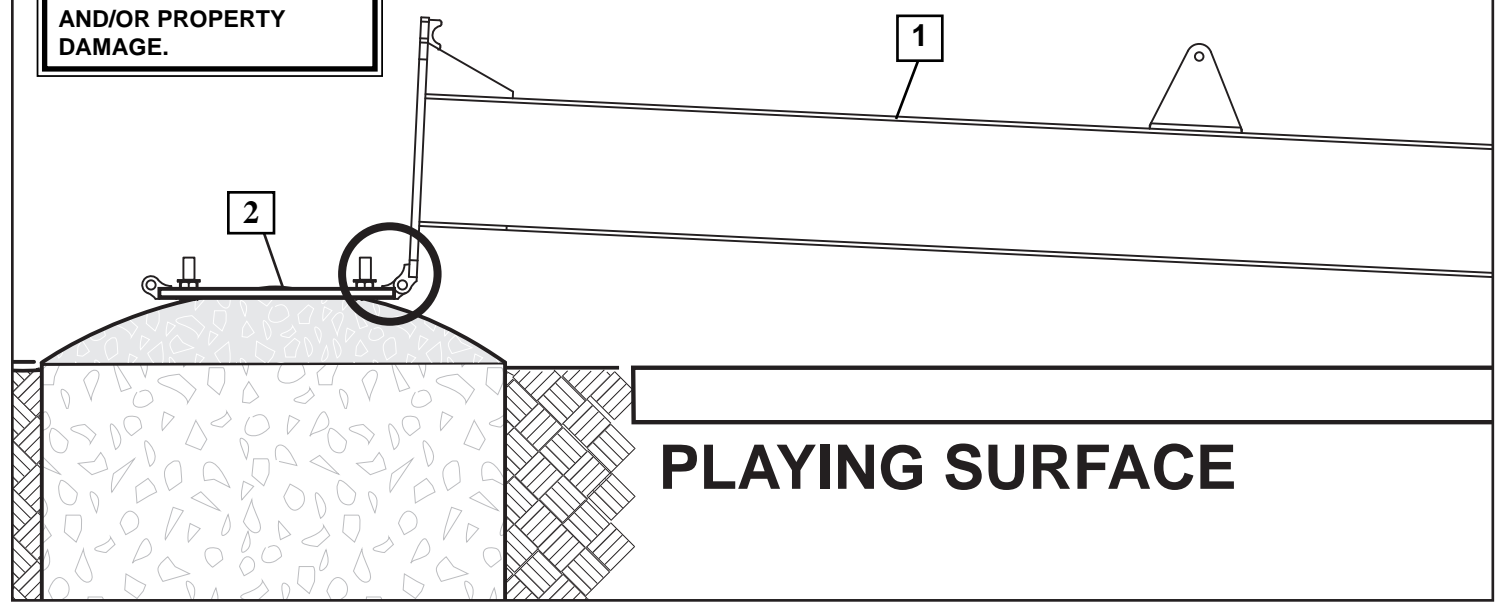
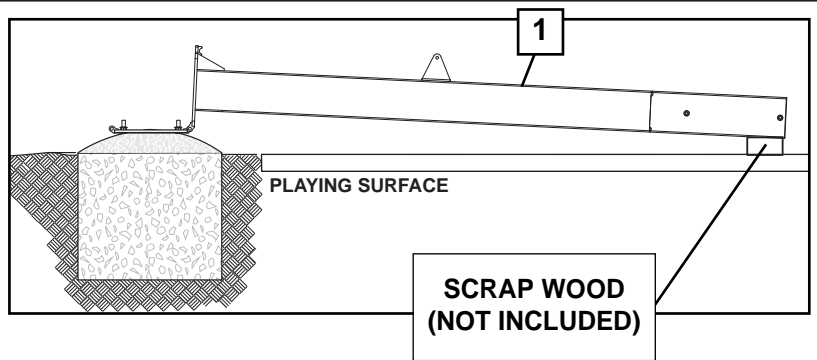
7A.

Rest top of pole (1) on a piece of scrap wood (not included) and line up holes in pole to holes in mounting plate (2) as shown.

**! WARNING!**

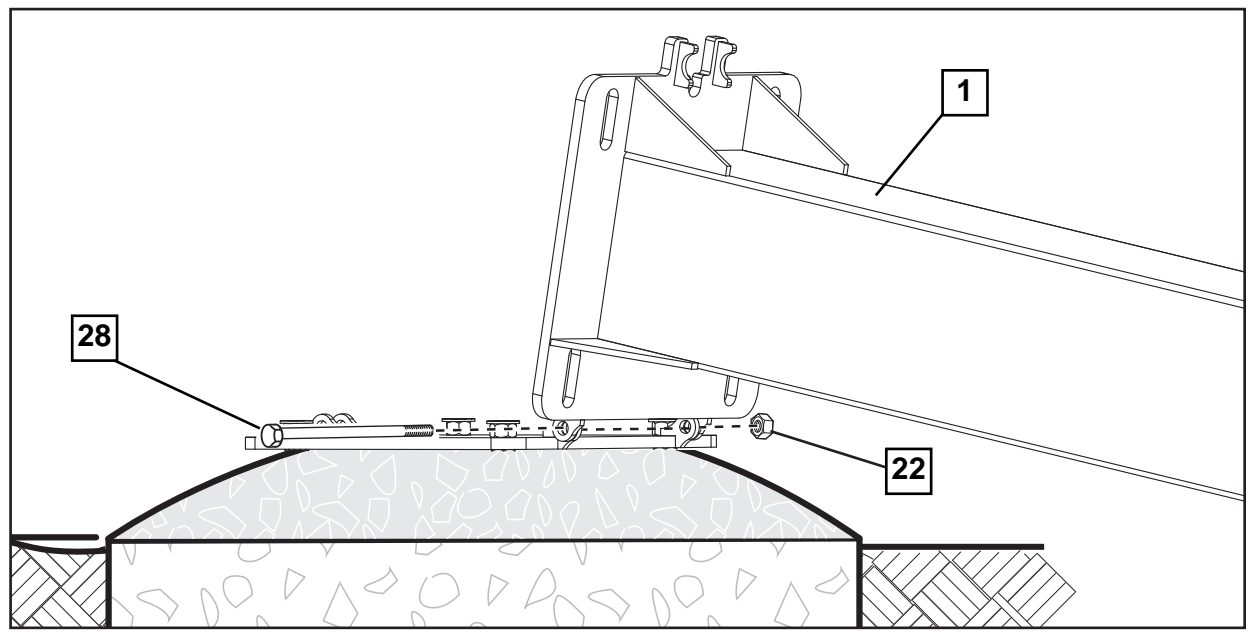


THREE PEOPLE  
REQUIRED FOR THIS  
PROCEDURE. FAILURE  
TO FOLLOW THIS  
WARNING COULD RESULT  
IN SERIOUS INJURY  
AND/OR PROPERTY  
DAMAGE.



7B.

Insert bolt (28) through holes in plate and pole and secure with nut (22).





# 8.

**TWO** people are required to lift pole into position so that the threaded assembly rod (14) can be installed and secured by the **THIRD** person.

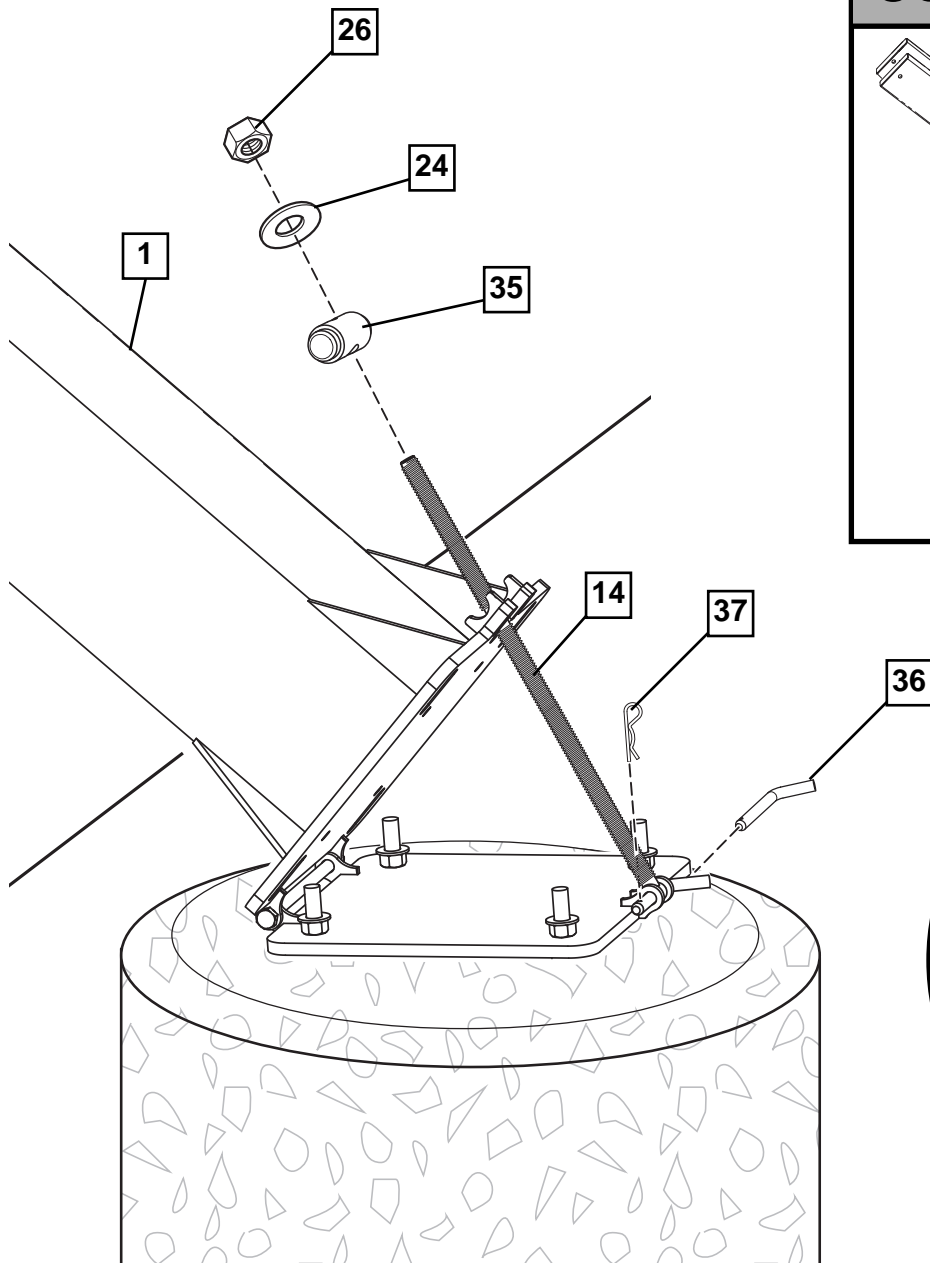
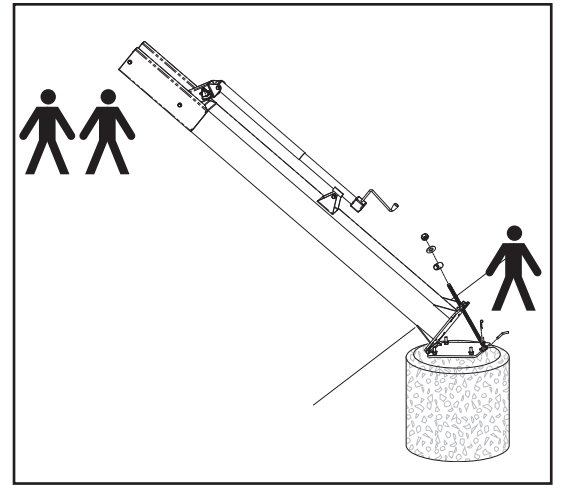
While pole is being supported by **TWO** capable adults, position rod (14) and lock into place with hitch pin (36) and cotter pin (37).

Slide barrel washer (35) onto other end of rod (14) and secure with washer (24) and nut (26). Tighten nut (26) until it is positioned 3-3/4" from the end of the rod (14) as shown (Figure A).

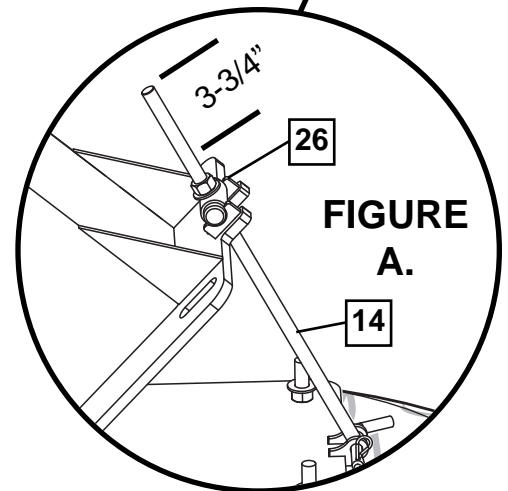
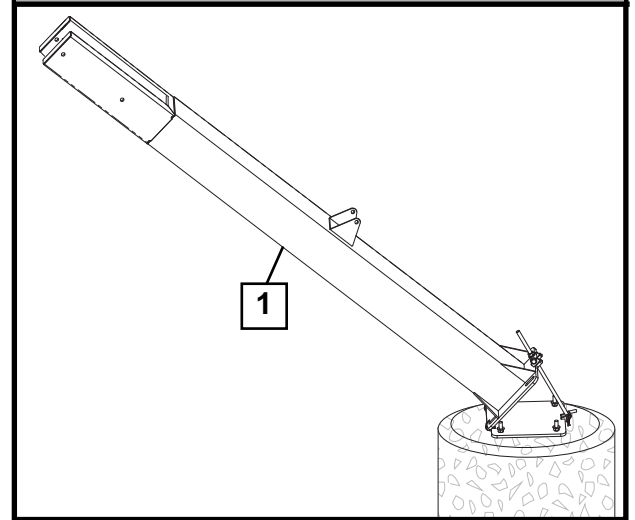
**! WARNING!**



**THREE PEOPLE  
REQUIRED FOR THIS  
PROCEDURE. FAILURE  
TO FOLLOW THIS  
WARNING COULD RESULT  
IN SERIOUS INJURY  
AND/OR PROPERTY  
DAMAGE.**



## Completed Assembly



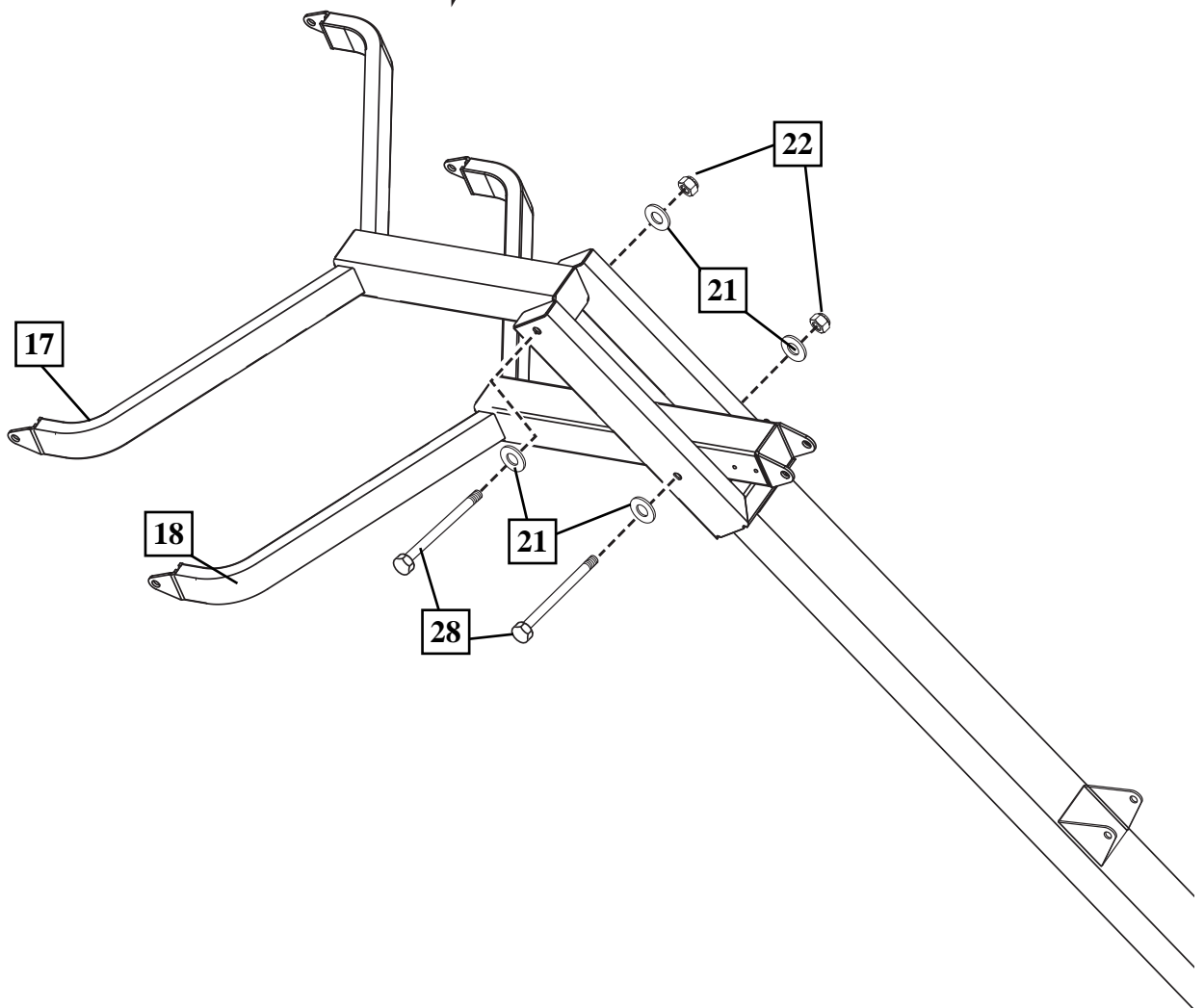
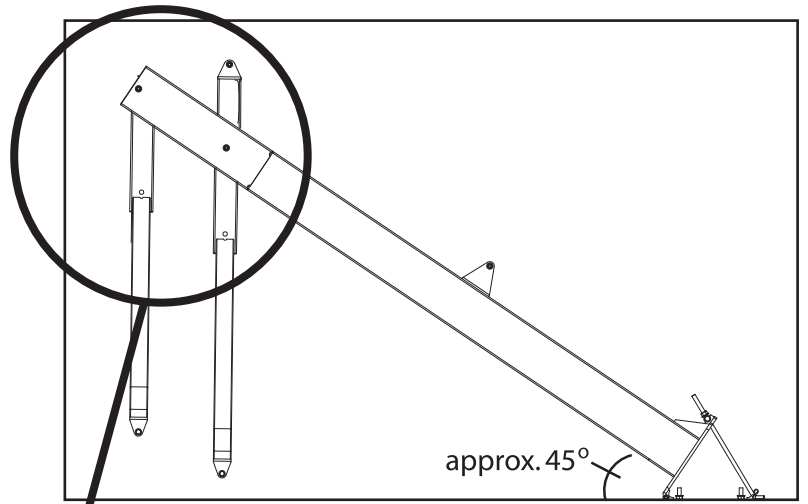
9.

While still in forward position, attach both upper and lower yokes (17 & 18) to pole as shown.

**! WARNING!**



THREE PEOPLE  
REQUIRED FOR THIS  
PROCEDURE. FAILURE  
TO FOLLOW THIS  
WARNING COULD RESULT  
IN SERIOUS INJURY  
AND/OR PROPERTY  
DAMAGE.



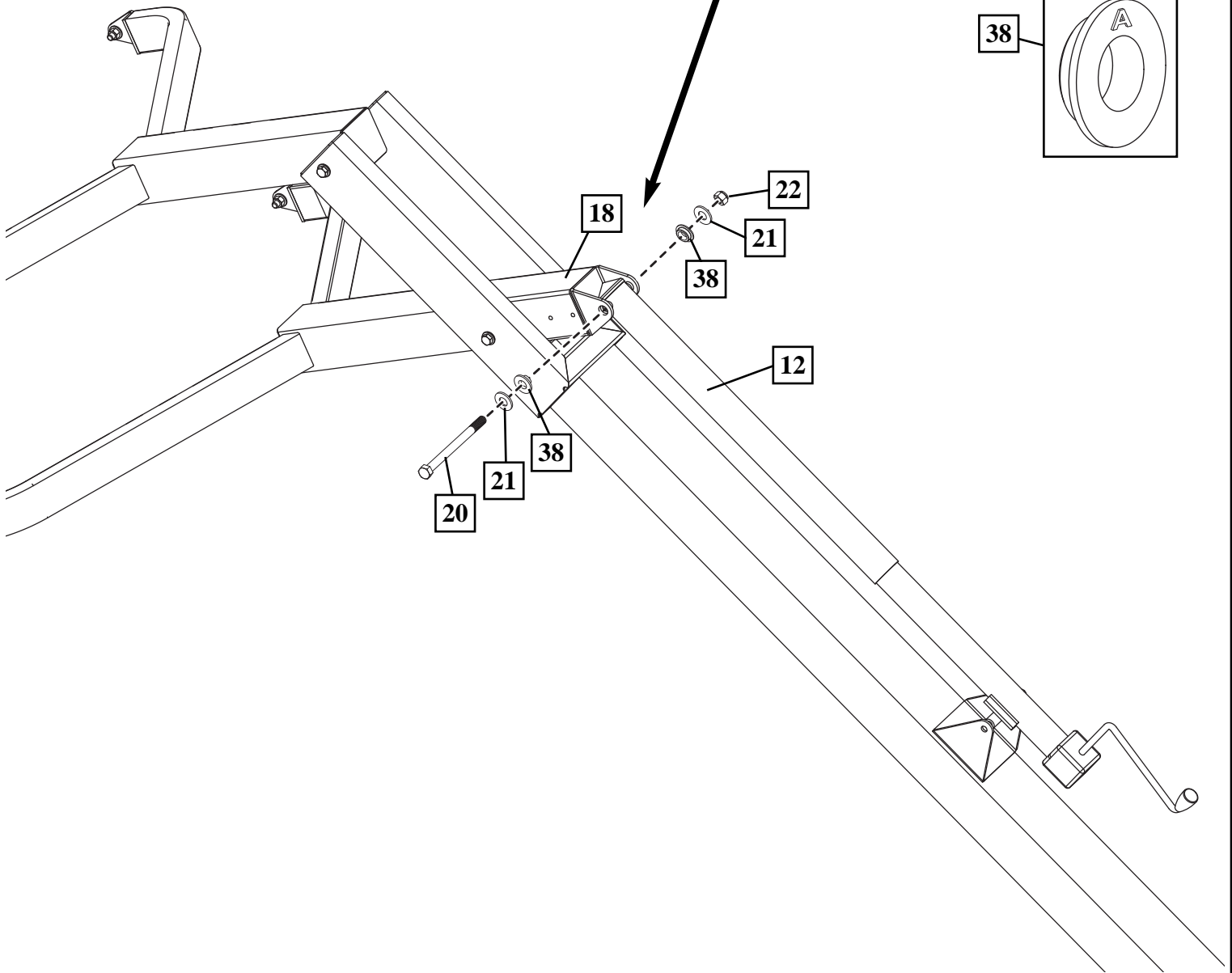
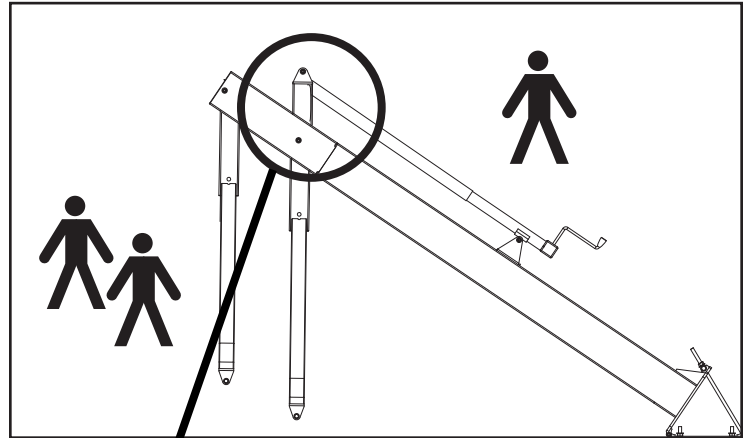
10.

Attach elevator adjustment (12) to lower yoke (18).

**! WARNING!**



THREE PEOPLE  
REQUIRED FOR THIS  
PROCEDURE. FAILURE  
TO FOLLOW THIS  
WARNING COULD RESULT  
IN SERIOUS INJURY  
AND/OR PROPERTY  
DAMAGE.

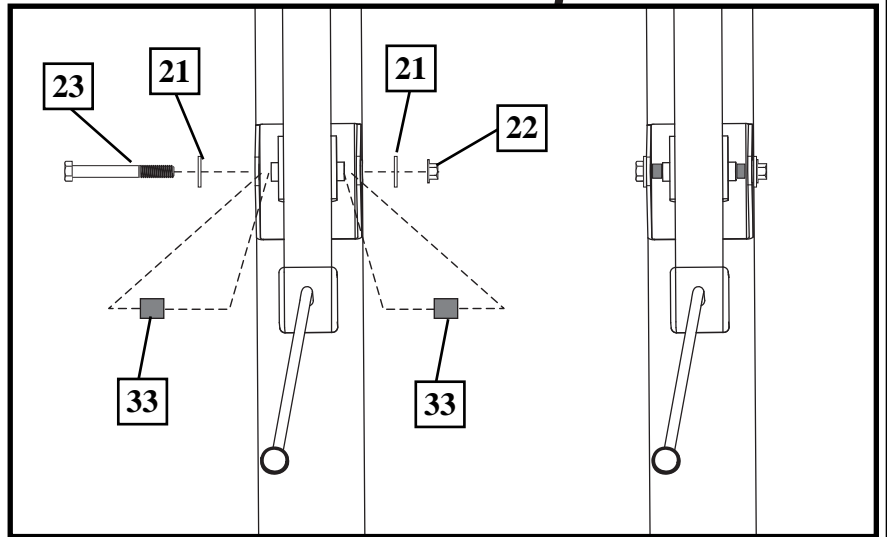
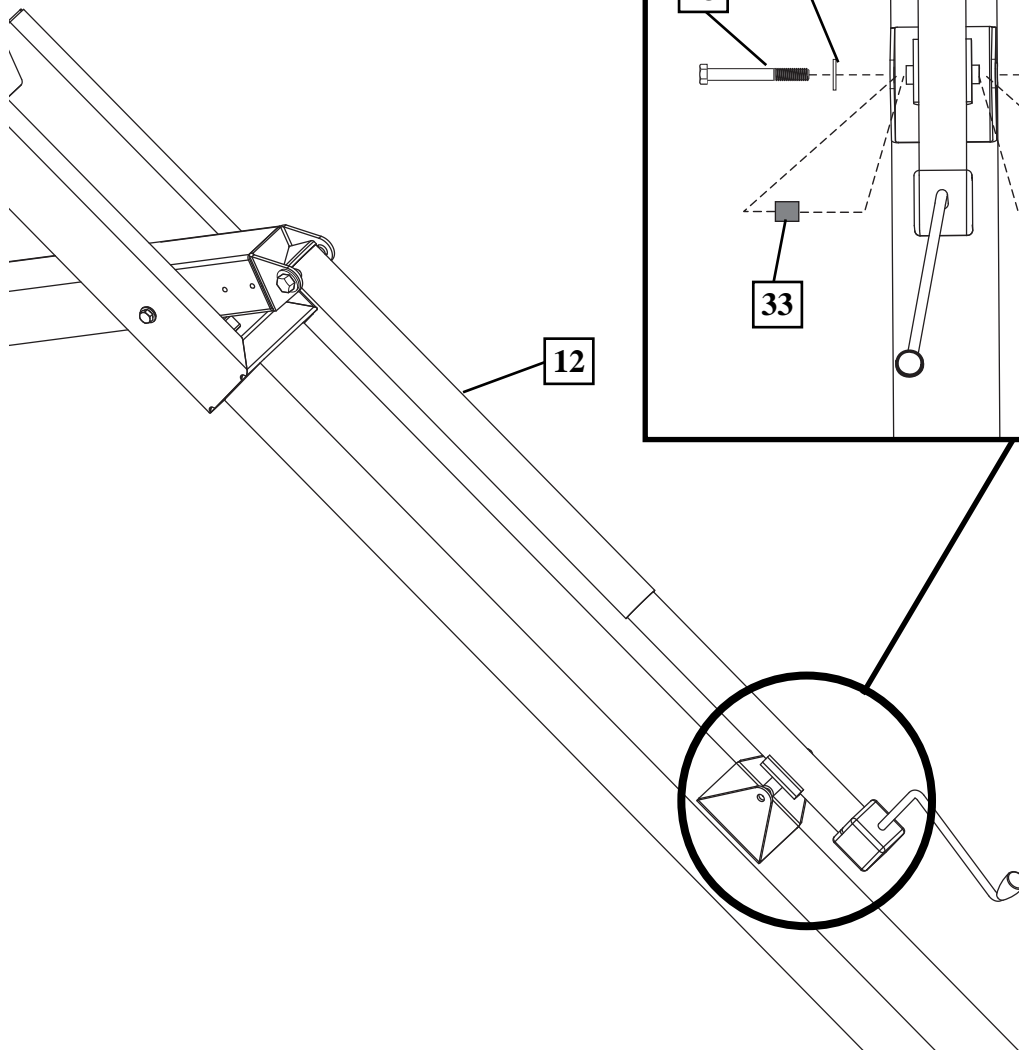
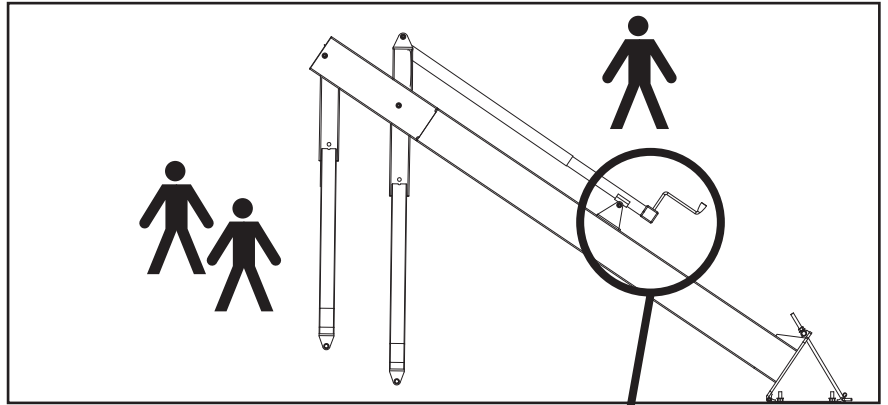


**11.** Attach elevator adjustment (12) to pole bracket.

**! WARNING!**



THREE PEOPLE  
REQUIRED FOR THIS  
PROCEDURE. FAILURE  
TO FOLLOW THIS  
WARNING COULD RESULT  
IN SERIOUS INJURY  
AND/OR PROPERTY  
DAMAGE.



12.

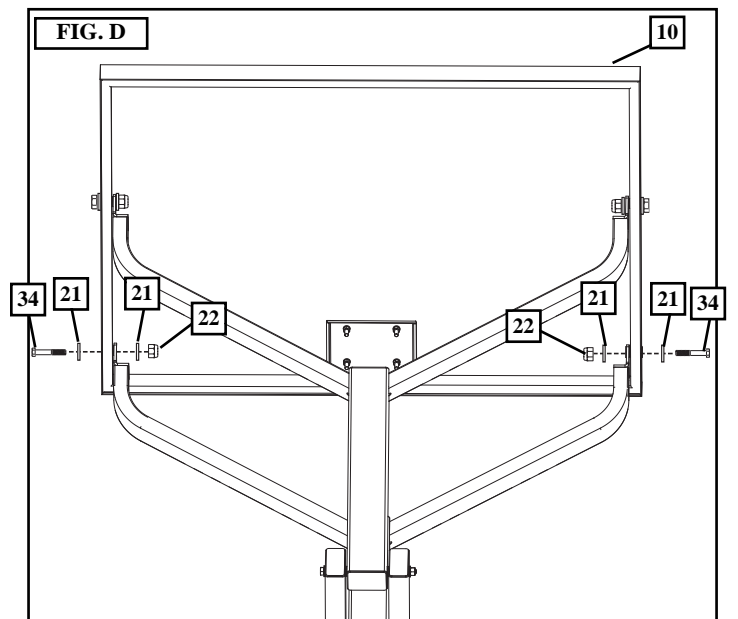
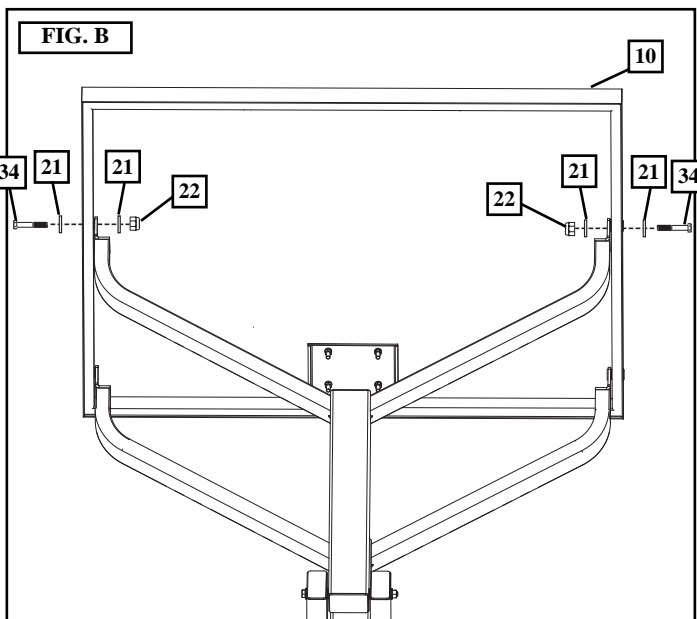
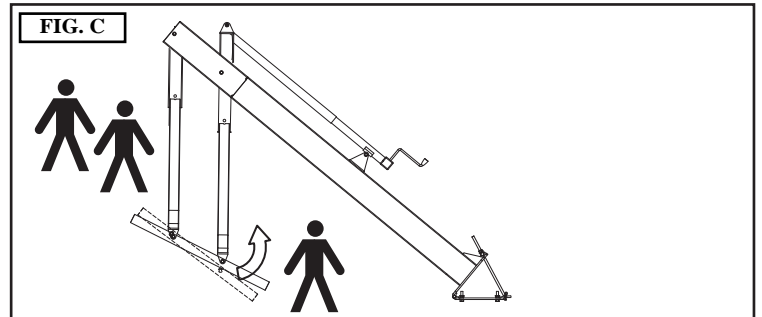
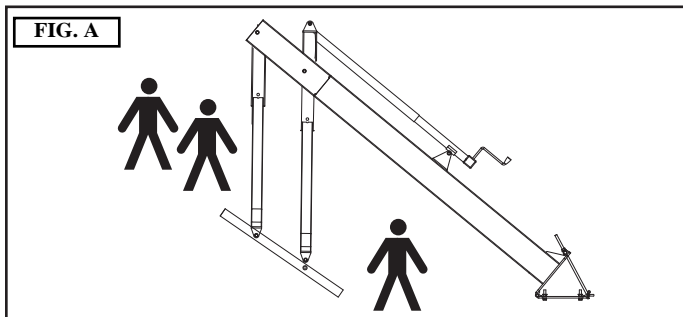
Attach backboard (10) to upper and lower yokes (18 & 17).

A.

First attach board (10) to upper yoke (17), using TWO people to hold the board and ONE person to attach hardware (FIG. A). Use hardware as shown in FIG. B.

B.

Then, hinge board to match up with holes in lower yoke (18), FIG. C, and secure with hardware as shown in FIG. D.

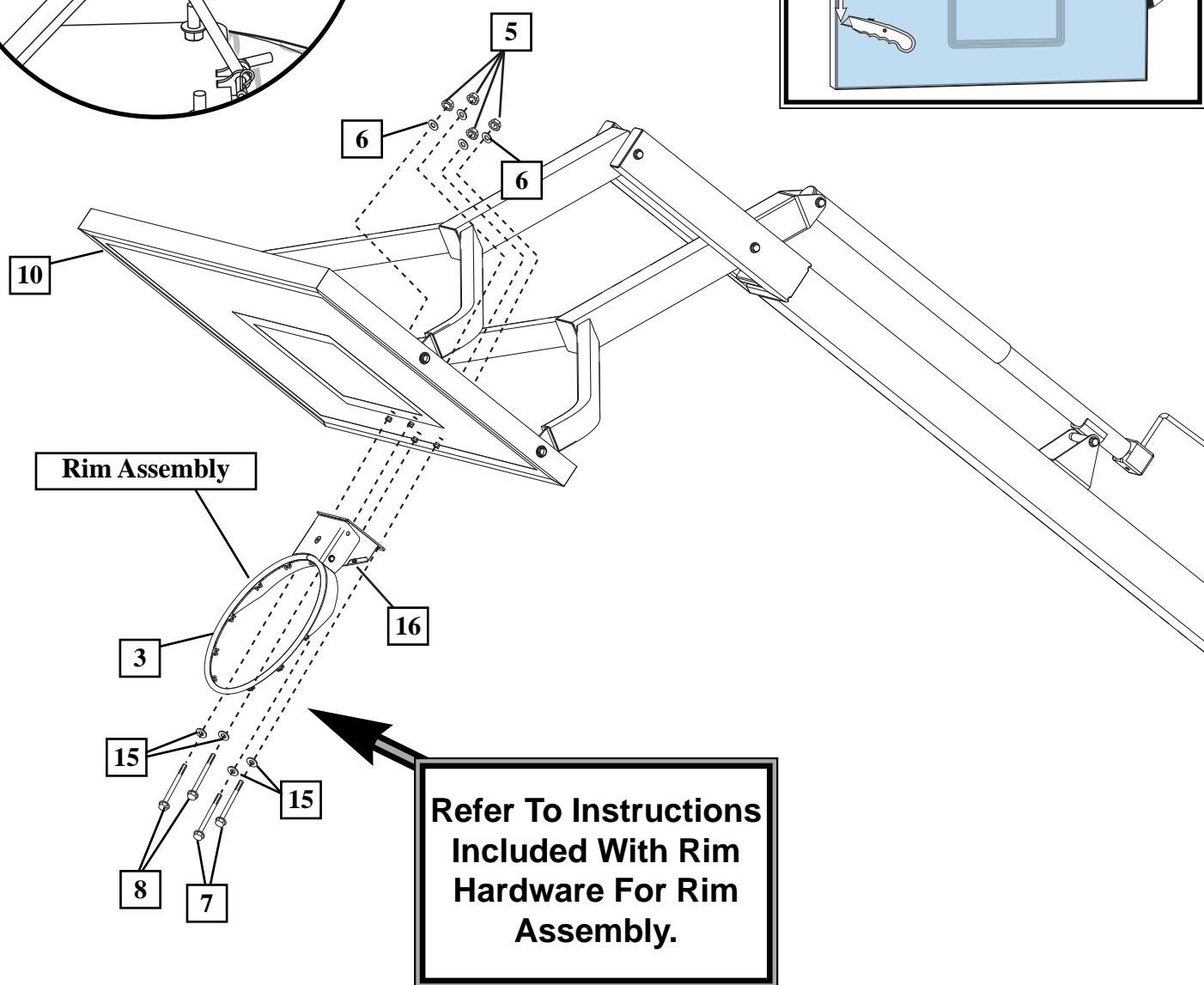
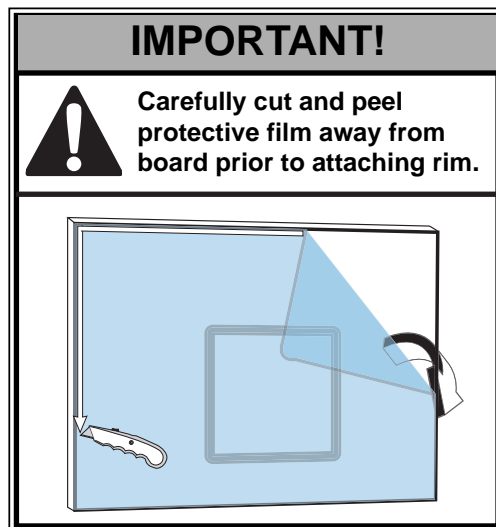
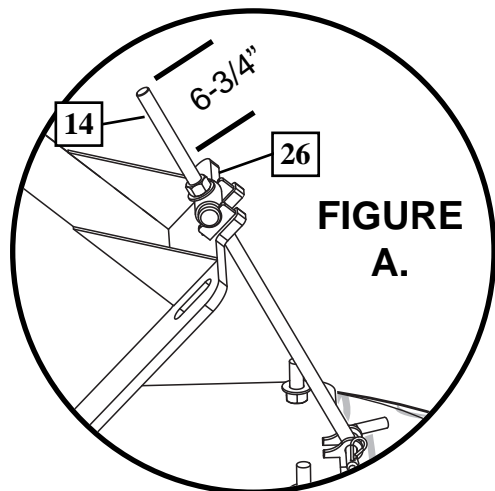


13.

Before starting rim assembly, tighten nut (26) until it is positioned 6-3/4" from the end of the rod (14) as shown (Figure A).

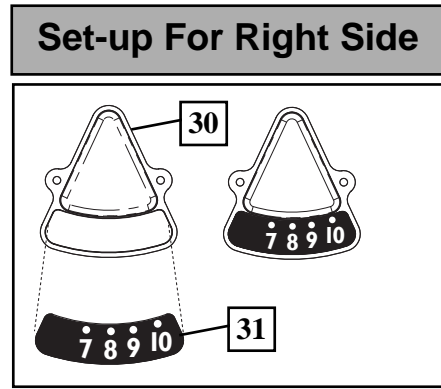
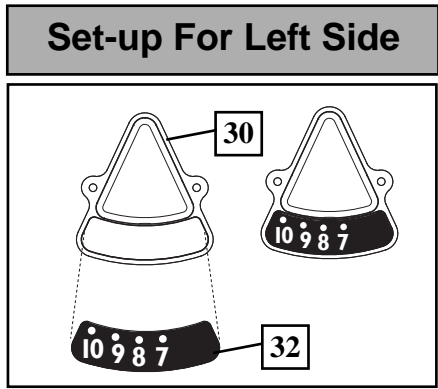
Remove rim cover (16), attach rim assembly (3) to backboard (10) and reattach rim cover (16).

**\*\* For rim assembly, see instructions included with rim.**

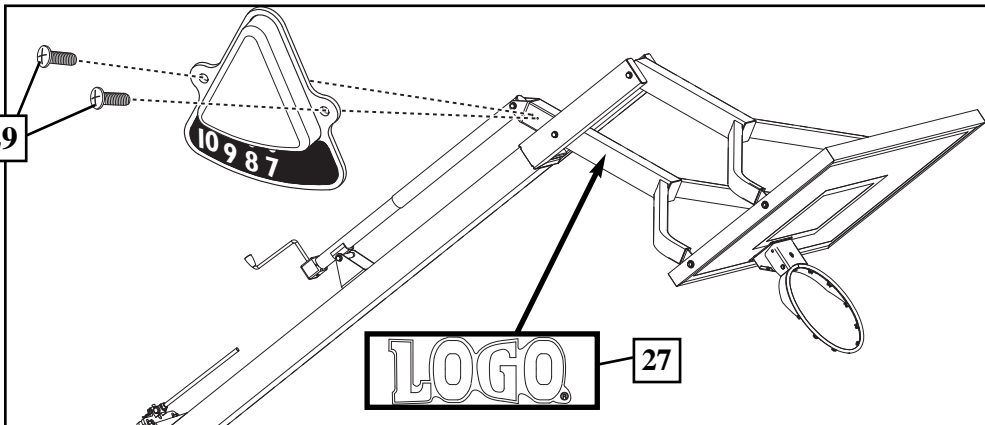


14.

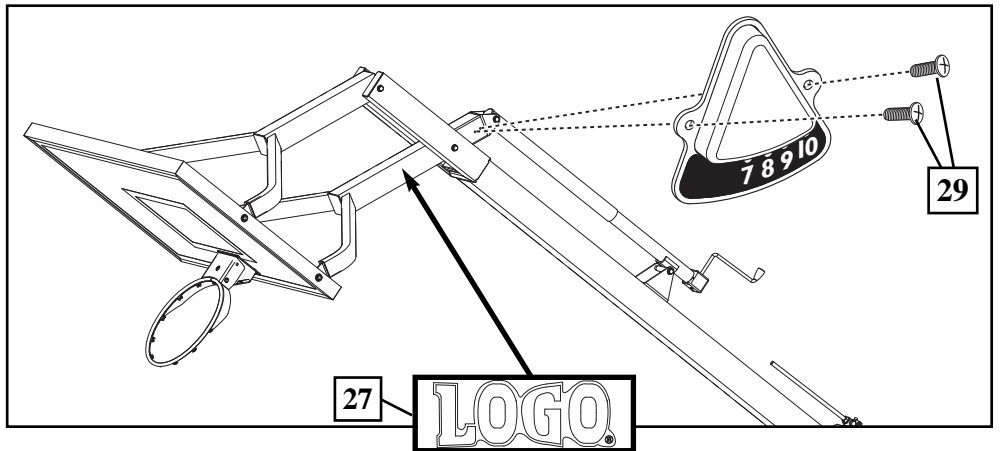
A. Apply height indicator labels (32 & 31) to height indicators (30).



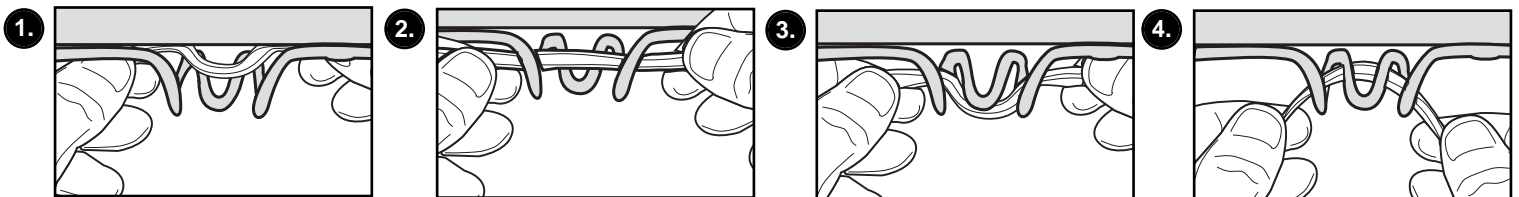
B. Attach height indicators to lower yoke in area shown by turning screws (29) into place with a Phillips head screwdriver. Apply name plate sticker (27) to lower yoke as shown.



C. Attach height indicators to lower yoke in area shown by tapping screws (29) into place with a rubber mallet. Apply name plate sticker (27) to lower yoke as shown.



15. Install net (4) to rim as shown.





**WARNING!**

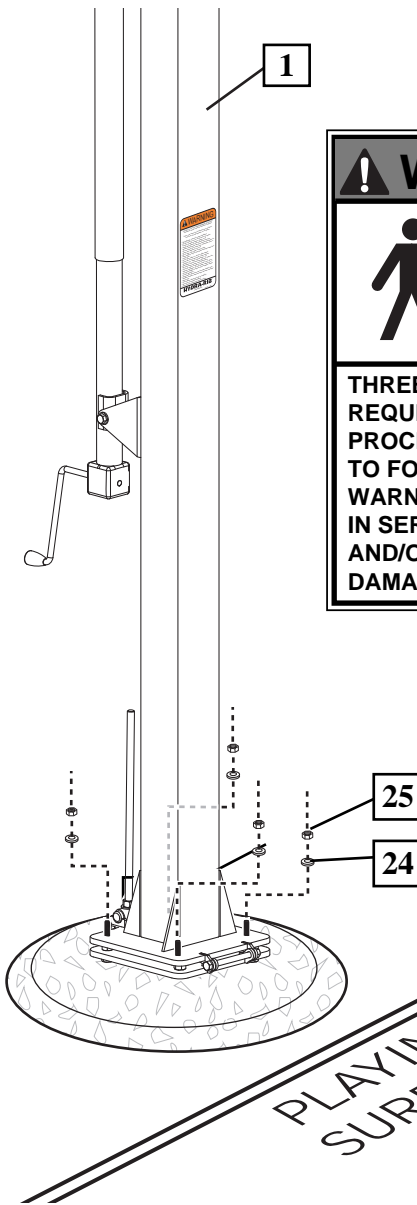
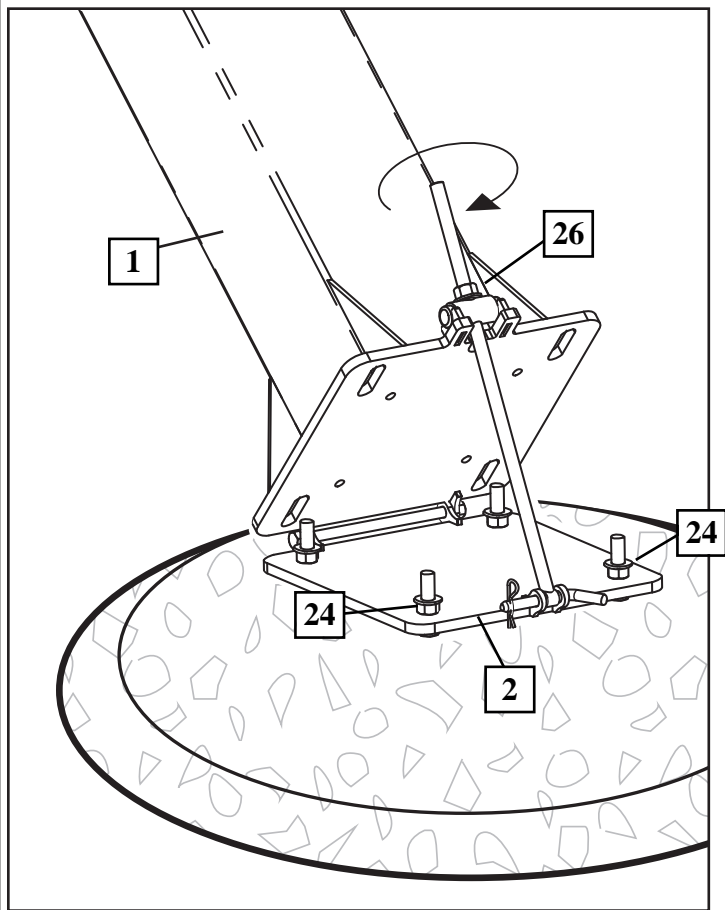
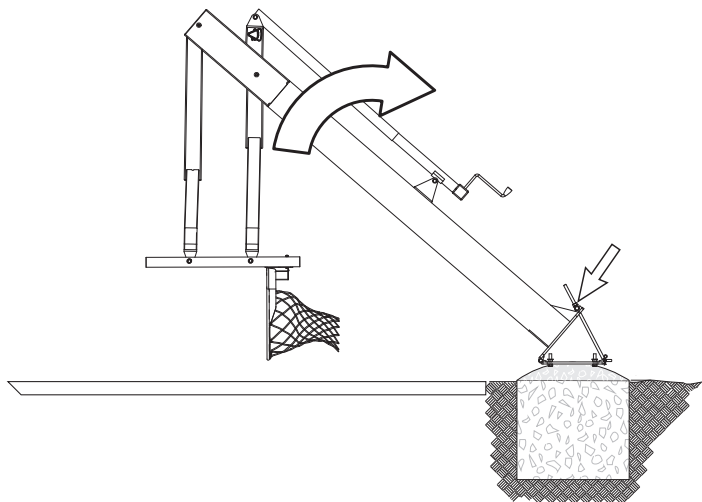


THREE PEOPLE REQUIRED FOR THIS PROCEDURE.: TWO PEOPLE ARE REQUIRED TO GUIDE AND SUPPORT THE SYSTEM WHILE THE THIRD PERSON IS TIGHTENING NUT (26) TO RAISE THE SYSTEM UPRIGHT.

FAILURE TO FOLLOW THIS WARNING COULD RESULT IN SERIOUS INJURY AND/OR PROPERTY DAMAGE.

Upright pole (1) by tightening nut (26). Using 15/16" wrench, turn nut (26) clockwise to begin standing pole upright. Continue to turn nut (26) until pole has come to rest against washers (24) and pole is vertical.

Once pole is in its final position, install washers (24) and nuts (25) onto J-bolts (19) and fully tighten to secure pole to anchor plate (2).



**WARNING!**

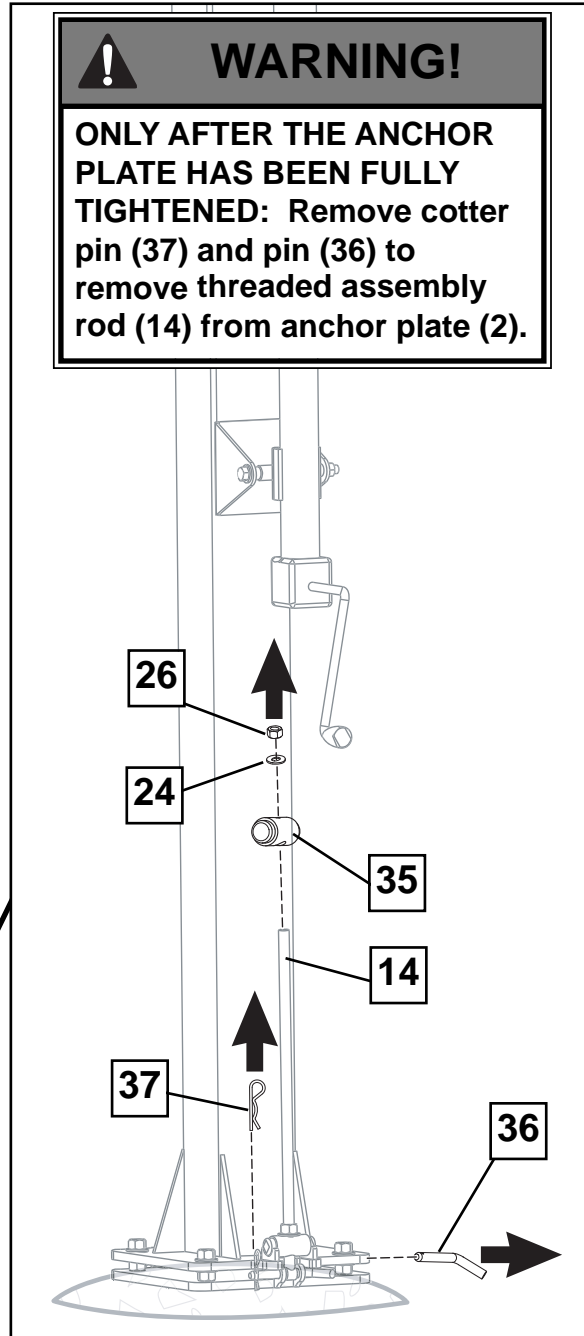


THREE PEOPLE REQUIRED FOR THIS PROCEDURE. FAILURE TO FOLLOW THIS WARNING COULD RESULT IN SERIOUS INJURY AND/OR PROPERTY DAMAGE.



17.

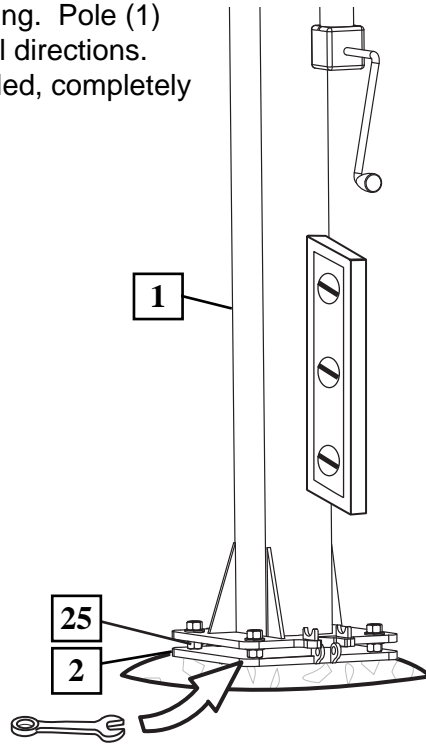
After pole has been secured to anchor plate (2) loosen nut (26), remove cotter pin (37), and pull out pin (36). This will allow the removal of the threaded assembly rod (14) which is no longer necessary for the remainder of the assembly and installation of system.



25

18.

Check system leveling. Pole (1) should be level in all directions. After system is leveled, completely tighten all nuts (25).



NOTE:	
	If adjustment is necessary, adjust system by rotating the nuts (25) between anchor plate (2) and pole flange.

19.

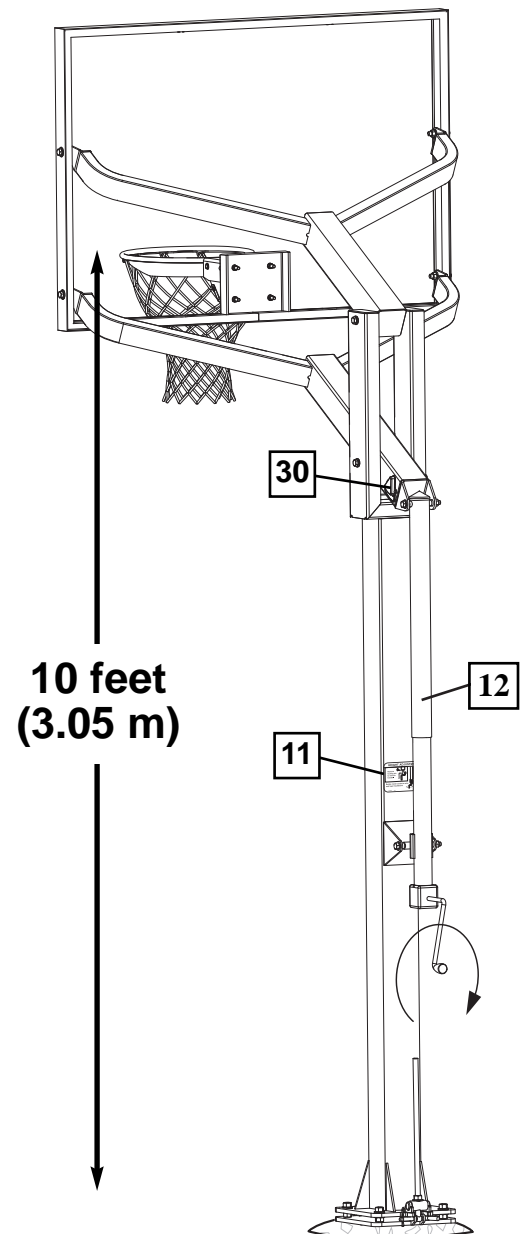
Apply height adjustment label (11).

Adjust system by turning crank until desired height is reached per height indicator (30).

**! WARNING!**

READ AND UNDERSTAND WARNING & HEIGHT ADJUSTMENT LABELS BEFORE USING THIS UNIT.

FAILURE TO FOLLOW OPERATING INSTRUCTIONS COULD RESULT IN INJURY OR DAMAGE TO PROPERTY.



# LIMITED LIFETIME WARRANTY

Subject to proper installation and normal use, Hydra-Rib® warrants, subject to limitations below, to the original retail purchaser all structural components of the Hydra-Rib® system to be free of defects in material and workmanship for the duration of ownership by the original retail purchaser.

Merchandise must be shipped prepaid with a copy of proof of purchase to our factory for examination to see whether it needs to be repaired or replaced. Any labor costs, travel expenses and any other charges involved in the removal, installation or replacement of the defective/repaired parts from/to your Hydra-Rib® system will be your (the purchaser's) responsibility. Shipping charges for replaced or warranted merchandise being sent back to the customer from our factory must be prepaid by the customer in advance. If not, the replacement shipment will be sent out collect.

## What is Not Covered By This Warranty

Paint or rusted parts. Paint kits will be available to assist in normal maintenance.

### **RIM**

**HANGING ON THE RIM WILL VOID YOUR WARRANTY.**

Rims are not warranted for any defects other than workmanship. Torn back plates, damaged springs, bent rings, damaged eye bolts, and torn or distorted rim supports result from hanging on the rim and are not warranted.

## Free Manuals Download Website

<http://myh66.com>

<http://usermanuals.us>

<http://www.somanuals.com>

<http://www.4manuals.cc>

<http://www.manual-lib.com>

<http://www.404manual.com>

<http://www.luxmanual.com>

<http://aubethermostatmanual.com>

Golf course search by state

<http://golfingnear.com>

Email search by domain

<http://emailbydomain.com>

Auto manuals search

<http://auto.somanuals.com>

TV manuals search

<http://tv.somanuals.com>