



POWER
TOOLS

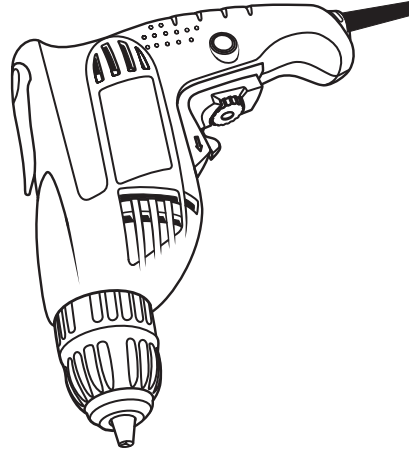
SPARKY



PROFESSIONAL

www.sparkygroup.com

(EN)	DRILL	1 – 6
	Instruction Manual	
(DE)	BOHRMASCHINE	7 – 13
	Bedienungsanleitung	
(FR)	PERCEUSE	14 – 20
	Instructions d'utilisation	
(RU)	ДРЕЛЬ	21 – 27
	Инструкция по эксплуатации	
(BG)	БОРМАШИНА	28 – 34
	Инструкция за експлоатация	



350W

BR 100E

www.sparkygroup.com

© 2006 SPARKY

0605R03



(EN) DECLARATION OF CONFORMITY
We declare under our sole responsibility that this product is in conformity with the provisions of the following d and the corresponding harmonized standards:
EN 60745-1, EN 60745-2-1, EN 55014-1, EN 55014-2, EN 61000-3-2,
EN 61000-3-3.

(DE) KONFORMITÄTSEKTLÄRUNG
Hiermit versichere ich unsere persönliche Haftung, daß dieses Erzeugnis den Anordnungen folgender Richtlinien entspricht und die entsprechenden harmonisierten Standards:
EN 60745-1, EN 60745-2-1, EN 55014-1, EN 55014-2, EN 61000-3-2,
EN 61000-3-3.

(FR) DECLARATION DE CONFORMITE
Nous déclarons, sous notre propre responsabilité que ce produit est conforme aux directives, respectives standards harmonisés:
EN 60745-1, EN 60745-2-1, EN 55014-1, EN 55014-2, EN 61000-3-2,
EN 61000-3-3.

(RU) ДЕКЛАРАЦИЯ О СООТВЕТСТВИИ
Мы заявляем нашу личную ответственность за соответствие данного изделия нижеперечисленным директивам, соответствующим нормативным стандартам:
EN 60745-1, EN 60745-2-1, EN 55014-1, EN 55014-2, EN 61000-3-2,
EN 61000-3-3.

(BG) ДЕКЛАРАЦИЯ ЗА СЪОТВЕТСТВИЕ
Ние декларираме нашата лична отговорност, че това изделие е в съответствие с разпоредбите на следните директиви, съответно хармонизирани стандарти:
EN 60745-1, EN 60745-2-1, EN 55014-1, EN 55014-2, EN 61000-3-2,
EN 61000-3-3.

SPARKY GmbH
Leipziger Str. 20
10117 Berlin, DEUTSCHLAND
Geschäftsführer Dipl.-Ing. Stanislav Petkov



СПАРКИ ЕЛТОС АД

ДЕКЛАРАЦИЯ ЗА СЪОТВЕТСТВИЕ

СПАРКИ ЕЛТОС АД декларира, че

**БОРМАШИНА
BR 100E**

съответства на изискванията на следните нормативи:

- Норматив за безопасността на електроинструмента – ПМС 182/06.07.2001
- Норматив за машините – ПМС 232/11.10.2001
- Норматив за електромагнитна съвместимост – ПМС 203/29.08.2001,

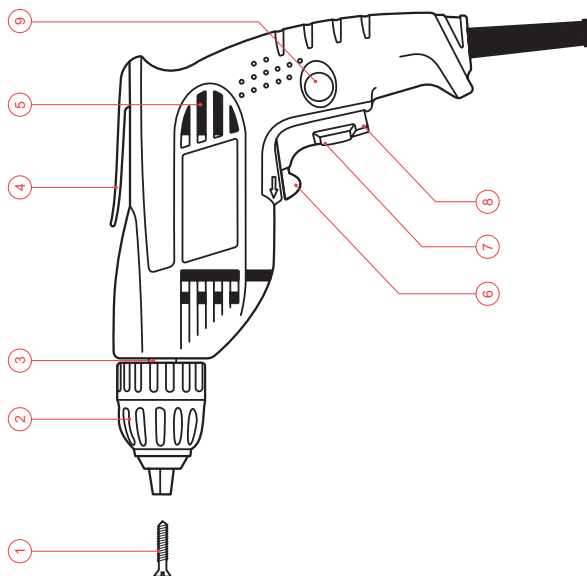
както и на следните БДС, въвели европейските хармонизирани стандарти:

БДС EN 60745-1, БДС EN 55014-1, БДС EN 55014-2, БДС EN 61000-3-2, БДС EN 61000-

06

СПАРКИ ЕЛТОС АД
ул. "Кубрат" 9
5500 Плевен
България

Николай Кълбов
Изпълнителен Директор



Contents

I - Introduction	1
II - Technical specifications	3
III - Safety instructions for power tools	3
IV - Additional safety rules for drills	4
V - Know your product	A/4
VI - Operation	4
VII - Maintenance	6
VIII - Warranty	6

UNPACKING

Due to modern mass production techniques, it is unlikely that your power tool is faulty or that a part is missing. If you find anything wrong, do not operate the tool until the parts have been replaced or the fault has been rectified. Failure to do so could result in serious personal injury.

ASSEMBLY

This SPARKY drill BR 100E is packed fully assembled.

I - Introduction

Your new SPARKY power tool will more than satisfy your expectations. It has been manufactured under stringent SPARKY Quality Standards to meet superior performance criteria. You will find your new tool easy and safe to operate, and, with proper care, it will give you many years of dependable service.

CAUTION!

Carefully read through this entire Instruction Manual before using your new SPARKY power tool. Take special care to heed the Cautions. Your SPARKY power tool has many features that will make your job faster and easier. Safety, performance, and dependability have been given top priority in the development of this tool, making it easy to maintain and operate.



Do not dispose of electrical products together with household waste!

Waste electrical products should not be disposed of with household waste. Please recycle where facilities exist. Check with your local authority or retailer for recycling advice.

ENVIRONMENTAL PROTECTION



The machine, accessories and packaging should be sorted for environmental-friendly recycling. The plastic components are labelled for categorised recycling.

DESCRIPTION OF SYMBOLS

The rating plate on your power tool may show symbols. These represent important information about the product or instructions on its use.



Double insulated for additional protection.



Conforms to relevant European safety standards.




Conforms to the requirements of the German Equipment and Product Safety Act.



Conforms to the requirements of Russian standards.

II - Technical specifications

Model:	BR 100E
▪ Supply voltage:	230 V ~ 50 Hz
▪ Power input:	350 W
▪ No load speed:	0–3000 min ⁻¹
▪ Electronic speed pre-selection:	Yes
▪ Reversing:	Yes
▪ Chuck capacity:	0.8–10 mm
▪ Drilling capacity in steel / wood:	10 / 20 mm
▪ Weight:	1.4 kg
▪ Safety class (EN 60745) 	II
▪ Sound pressure level:	87 dB (A)
▪ Sound power level:	98 dB (A)
▪ Weighted acceleration:	3.79 m/s ²

III - Safety instructions for power tools

WARNING! Read all instructions. Failure to follow all instructions listed below may result in electric shock, fire and/or serious injury.

Save these instructions!

WORK AREA

- Keep work area clean and well lit. Cluttered and dark areas invite accidents.
- Do not operate power tools in explosive atmospheres, such as in the presence of flammable liquids, gases or dust. Power tools create sparks which may ignite the dust or fumes.
- Keep children and bystanders away while operating a power tool. Distractions can cause you to lose control.

ELECTRICAL SAFETY

- Power tool plugs must match the outlet. Never modify the plug in any way. Do not use any adapter plugs with earthed (grounded) power tools. Unmodified plugs and matching outlets will reduce risk of electric shock.
- Avoid body contact with earthed or grounded surfaces such as pipes, radiators, ranges and refrigerators. There is an increased risk of electric shock if your body is earthed or grounded.
- Do not expose power tools to rain or wet conditions. Water entering a power tool will increase the risk of electric shock.
- Do not abuse the cord. Never use the cord for carrying, pulling or unplugging the power tool. Keep cord away from heat, oil, sharp edges or moving parts. Damaged or entangled cords increase the risk of electric shock.

- When operating a power tool outdoors, use an extension cord suitable for outdoor use. Use of a cord suitable for outdoor use reduces the risk of electric shock.

PERSONAL SAFETY

- Stay alert, watch what you are doing and use common sense when operating a power tool. Do not use a power tool while you are tired or under the influence of drugs, alcohol or medication. A moment of inattention while operating power tools may result in serious personal injury.
- Use safety equipment. Always wear eye protection. Safety equipment such as dust mask, non-skid safety shoes, hard hat, or hearing protection used for appropriate conditions will reduce personal injuries.
- Avoid accidental starting. Ensure the switch is in the off-position before plugging in. Carrying power tools with your finger on the switch or plugging in power tools that have the switch on invites accidents.
- Remove any adjusting key or wrench before turning the power tool on. A wrench or a key left attached to a rotating part of the power tool may result in personal injury.
- Do not overreach. Keep proper footing and balance at all times. This enables better control of the power tool in unexpected situations.
- Dress properly. Do not wear loose clothing or jewellery. Keep your hair, clothing and gloves away from moving parts. Loose clothes, jewellery or long hair can be caught in moving parts.
- If devices are provided for the connection of dust extraction and collection facilities, ensure these are connected and properly used. Use

of these devices can reduce dust-related hazards.

POWER TOOL USE AND CARE

- Do not force the power tool. Use the correct power tool for your application. The correct power tool will do the job better and safer at the rate for which it was designed.
- Do not use the power tool if the switch does not turn it on and off. Any power tool that cannot be controlled with the switch is dangerous and must be repaired.
- Disconnect the plug from the power source before making any adjustments, changing accessories, or storing power tools. Such preventive safety measures reduce the risk of starting the power tool accidentally.
- Store idle power tools out of the reach of children and do not allow persons unfamiliar with the power tool or these instructions to operate the power tool. Power tools are dangerous in the hands of untrained users.
- Maintain power tools. Check for misalignment or binding of moving parts, breakage of parts and any other condition that may affect the power tools operation. If damaged, have the power tool repaired before use. Many accidents are caused by poorly maintained power tools.
- Keep cutting tools sharp and clean. Properly maintained cutting tools with sharp cutting edges are less likely to bind and are easier to control.
- Use the power tool, accessories and tool bits etc., in accordance with these instructions and in the manner intended for the particular type of power tool, taking into account the working conditions and the work to be performed. Use of the power tool for operations, different from those intended, could result in a hazardous situation.

SERVICE

- Have your power tool serviced by a qualified repair person using only identical replacement parts. This will ensure that the safety of the power tool is maintained.

IV - Additional safety rules for drills

The small chip and particles separated while operating the power tool, as well touching its moving parts could cause severe physical injuries, and

noise loading from continuous operation could damage the operator's hearing if the Safety Instructions and the below-mentioned rules are not observed.

- During operation provide eye protection to prevent eyes from exposure to flying particles. Wear goggles.
- Wear hearing protection when operating the tool for extended periods.
- Always tie long hair behind and do not wear loose clothing while working.
- Always keep the cord away from the working area of the power tool.
- Always search for a secure and stable position of your body.
- Fix the machined piece in vice or in another appropriate way.
- Watch out for the initial torque reaction of the drill, especially when drill bit is tight.
- Always switch off the power tool and unplug the machine prior to any adjustment, repair, maintenance or in case of mains drop out.
- The power tool must not be used outdoors in rainy weather, or in moist environment (after rain) or in close vicinity with easily flammable liquids and gases. The working place should be well lit.

V - Know your product

1. Securing screw
2. Keyless chuck
3. Place for spindle fixing
4. Belt clip
5. Ventilation slots
6. Reversing switch
7. Electronic regulator of rotation speed
8. ON/OFF switch
9. Lock-on button

VI - Operation

This power tool is supplied from single-phase alternating current mains only. It is double insulated according to EN 60745, IEC 60745 and can be connected to grounded or not grounded sockets. This power tool is radio suppressed in compliance with EN 55014-1, EN 55014-2, EN 61000-3-2, EN 61000-3-3 for radio interference.

This power tool is designed for drilling in steel, wood, plastics, etc.

PRIOR TO INITIAL OPERATION

- Make sure power supply voltage corresponds to the value indicated on the name plate with technical data of the tool.
- Always check the position of ON/OFF switch. The power tool must be connected to the power supply socket only when this switch is in OFF position. If the plug is connected to a receptacle while the power switch is in the ON position, the power tool will start operating immediately, which could cause a serious accident.
- Make sure the cord and the plug are in order. If the replacement of the supply cord is necessary, this has to be done by the manufacturer or his agent in order to avoid a safety hazard.

INSTALLING AND REMOVING BITS



CAUTION: Switch off and unplug the machine prior to any procedure on the power tool.

Grip rear collar of keyless chuck and rotate front collar until chuck is opened sufficiently for the bit to be inserted. Then firmly tighten front collar by hand.

SWITCHING ON / SWITCHING OFF

Brief activation:

- Switching on: Press ON/OFF switch (8).
- Switching off: Release ON/OFF switch (8).

Continuous use:

- Switching on: Press ON/OFF switch (8) and in pressed position lock it by button (9).
- Switching off: Press ON/OFF switch (8) once and release it immediately.



CAUTION: Before plugging in the tool, always check to see that the trigger switch (8) actuates properly and returns to OFF position when released.

SMOOTH ELECTRONIC RPM CONTROL

Light pressure on ON/OFF switch (8) results in low rotation speed, further pressing the switch results in smooth increase of the rpm to maximum upon reaching the extreme position.

SELECTION OF RPM VALUE

The necessary speed can be pre-selected by rotating the regulator dial (7) clockwise or anti-clockwise.

REVERSING

The extreme position of lever (6) to the right is equivalent to anti-clockwise rotation, the extreme position to the left – to clockwise rotation.

When the ON/OFF switch (8) is depressed lever (6) can not be actuated. Reversing can be performed only when the spindle is not rotating!

SCREWING / UNSCREWING BOLTS, SCREWS AND NUTS

Following the above-described procedure, tighten the corresponding accessory in chuck (2). Select the rotation direction necessary by lever (6). These operations must be performed only at low rpm.



CAUTION: In case of screwing / unscrewing long bolts and screws there is a danger of slipping the drill.

REMOVING THE CHUCK

Grip rear collar of keyless chuck (2) and rotate front collar until chuck is opened. By means a screwdriver unwind the left-treaded securing screw. Insert and fasten Allen key or screwdriver bit into the chuck.

Clamp the place for fixing the spindle (3) by means of a spanner and rotate the chuck anti-clockwise by the free end of the key (bit).

RECOMMENDATIONS FOR OPERATION

Drill at speed lower than the maximum speed and select the speed depending on the processed material.

Use straight shank drill bits.

Watch out the stage of blunting of the bit and replace it if considerable decrease of efficiency is observed. Before drilling large-diameter holes in metal, wood or plastics, drill a small pilot hole.

ACCESSORIES TO BE USED WITH THIS POWER TOOL

- Drill bits for metal $\varnothing 0.8$ to $\varnothing 10$ mm.
- Drill bits for wood $\varnothing 0.8$ to $\varnothing 20$ mm.
- 6.35 mm (1/4") hexagon shank screwdriver bits.

VII - Maintenance



CAUTION: Always ensure that the tool is switched off and unplugged before attempting to perform inspection or maintenance.

BRUSH REPLACEMENT

When the carbon brushes are worn out, both brushes must be replaced simultaneously with genuine brushes at SPARKY service centre for warranty and post-warranty service.

CLEANING

For safe operation always keep the machine and its ventilation slots (5) clean.

With the motor running, blow dirt and dust out of all air vents with dry air at least once a week. Wear safety glasses while performing this.

Exterior plastic parts may be cleaned with a damp cloth and mild detergent.



CAUTION: Although exterior plastic parts are highly solvent resistant, never use solvents!

IMPORTANT! To assure product safety and reliability, repairs, maintenance and adjustment (including brush inspection and replacement) should be performed by certified service centres or other qualified service organisations, always using genuine replacement parts.

VIII - Warranty

The guarantee period for SPARKY power tools is determined in the guarantee card.

Faults due to normal wear, overloading or improper handling will be excluded from the guarantee. Faults due to defective materials implemented as well as defects in workmanship will be corrected free of charge through replacement or repair.

The complaints for defective SPARKY power tools will be recognized if the machine is sent back to the dealer or is presented to the authorised warranty service centre undismantled, in its initial condition.

Notes

Carefully read the entire Instruction Manual before using this product.

With continuing product development changes may have occurred which render the product received slightly different to that shown in this instruction manual. The manufacturer reserves the right to change specifications without notice.

Specifications may differ from country to country.

Inhalt

I - Einführung	7
II - Technische Angaben	9
III - Sicherheitshinweise für die Arbeit mit Elektrowerkzeugen	9
IV - Zusätzliche Sicherheitshinweise für die Arbeit mit Bohrmaschinen	10
V - Bekanntmachung mit dem Elektrowerkzeug	A/11
VI - Bedienungsanleitung	11
VII - Wartung und Pflege	12
VIII - Garantie	13

AUSPACKEN

Entsprechend den allgemein angenommenen Herstellungstechnologien ist es kaum wahrscheinlich, dass das von Ihnen erworbene Elektrowerkzeug beschädigt ist, oder irgendwelcher Teil fehlt. Falls Sie merken, dass etwas nicht in Ordnung ist, beginnen Sie nicht mit der Arbeit, bevor der beschädigten Teil nicht ersetzt oder die Störung nicht beseitigt ist. Die Nichtbeachtung dieser Empfehlungen kann zu schweren Unfällen führen.

ZUSAMMENBAU

Die Bohrmaschine BR 100E wird verpackt und zusammengebaut geliefert.

I - Einführung

Das von Ihnen neu erworbene Elektrowerkzeug SPARKY wird Ihre Erwartungen übertreffen. Es ist entsprechend den hohen Qualitätsstandards von SPARKY hergestellt, die den strengen Anforderungen des Verbrauchers entsprechen. Leicht zum Bedienen und ungefährlich beim Betrieb, wird dieses Elektrowerkzeug bei bestimmungsgemäßem Verbrauch Ihnen lange Jahre zuverlässig dienen.

ACHTUNG!

Lesen Sie die ganze Bedienungsanleitung aufmerksam, bevor Sie das neu erworbene Elektrowerkzeug SPARKY in Betrieb nehmen. Beachten Sie besonders die Texte, die mit den Wörtern „Achtung“ oder „Warnung“ beginnen. Ihr Elektrowerkzeug SPARKY besitzt viele Eigenschaften, die Ihre Arbeit erleichtern werden. Bei der Entwicklung dieses Elektrowerkzeugs ist höchste Aufmerksamkeit der Sicherheit, den Betriebseigenschaften und der Zuverlässigkeit gewidmet, die es leicht zur Wartung und Bedienung macht.



Nicht mehr gebrauchsfähige Elektrowerkzeuge gehören nicht zum Alltagsmüll!

Die Abfälle von elektrischen Erzeugnissen gehören nicht zum Alltagsmüll. Sie sollten einer umweltgerechten Wiederverwertung zugeführt werden. Zum Recycling sollten Sie sich an die örtliche Behörde oder ihre Vertreter wenden.

UMWELTSCHUTZ



Gerät, Zubehör und Verpackung sollten einer umweltgerechten Wiederverwertung zugeführt werden. Zum sortenreinem Recycling sind die Kunststoffteile entsprechend gekennzeichnet.

BEDEUTUNG DER SYMBOLE

Auf dem Typenschild des Elektrogerätes sind spezielle Symbolbezeichnungen angebracht. Sie geben wichtige Information über das Produkt oder Instruktionen für seine Nutzung.



Doppelisolierung zum zusätzlichen Schutz.



Übereinstimmung mit den Europäischen Sicherheitsstandards.



Entspricht den Anforderungen der Deutschen Vorschrift für Sicherheit der Anlagen und der Erzeugnisse.



Entspricht den Anforderungen der russischen normativen Dokumente.

II - Technische Daten

Modell:	BR 100E
▪ Netzspannung:	230 V ~ 50 Hz
▪ Nennaufnahme:	350 W
▪ Leerlaufdrehzahl:	0–3000 min ⁻¹
▪ Elektronische Drehzahlregelung:	Ja
▪ Drehrichtungswechsel:	Ja
▪ Bohrfutterkapazität:	0.8–10 mm
▪ Max. Bohrerdurchmesser in Stahl / Holz:	10 / 20 mm
▪ Gewicht:	1.4 kg
▪ Schutzklasse (EN 60745) <input type="checkbox"/>	II
▪ Schalldruckpegel:	87 dB (A)
▪ Schalleistungspegel:	98 dB (A)
▪ Bewertete Beschleunigung:	3.79 m/s ²

III - Sicherheitshinweise für die Arbeit mit Elektrowerkzeugen

ACHTUNG! Lesen Sie diese Hinweise! Das Nicht-einhalten der weiter unten angegebenen Hinweise kann Verletzung von elektrischem Strom, Brand und/oder ernststen Betriebsunfall verursachen.

Bewahren Sie diese Hinweise gut auf!

ARBEITSPLATZ

- Halten Sie Ihren Arbeitsbereich sauber und aufgeräumt. Unordnung und unbeleuchtete Arbeitsbereiche können zu Unfällen führen.
- Arbeiten Sie mit dem Gerät nicht in explosionsgefährdeter Umgebung, in der sich brennbare Flüssigkeiten, Gase oder Stäube befinden. Elektrowerkzeuge erzeugen Funken, die den Staub oder die Dämpfe entzünden können.
- Halten Sie Kinder und andere Personen während der Benutzung des Elektrowerkzeugs fern. Bei Ablenkung können Sie die Kontrolle über das Gerät verlieren.

ELEKTRISCHE SICHERHEIT

- Der Anschlussstecker des Gerätes muss in die Steckdose passen. Der Stecker darf in keiner Weise verändert werden. Verwenden Sie keine Adapterstecker gemeinsam mit schutzgeerdeten Geräten. Unveränderte Stecker und passende Steckdosen verringern das Risiko eines elektrischen Schlages.
- Vermeiden Sie Körperkontakt mit geerdeten Oberflächen, wie von Rohren, Heizungen, Herden und Kühlschränken. Es besteht ein erhöhtes Risiko durch elektrischen Schlag, wenn Ihr Körper geerdet ist.

- Halten Sie das Gerät von Regen oder Nässe fern. Das Eindringen von Wasser in ein Elektrogerät erhöht das Risiko eines elektrischen Schlages.
- Zweckfremden Sie das Kabel nicht, um das Gerät zu tragen, aufzuhängen oder um den Stecker aus der Steckdose zu ziehen. Halten Sie das Kabel fern von Hitze, Öl, scharfen Kanten oder sich bewegenden Geräteteilen. Beschädigte oder verwickelte Kabel erhöhen das Risiko eines elektrischen Schlages.
- Wenn Sie mit einem Elektrowerkzeug im Freien arbeiten, verwenden Sie nur Verlängerungskabel, die auch für den Außenbereich zugelassen sind. Die Anwendung eines für den Außenbereich geeigneten Verlängerungskabels verringert das Risiko eines elektrischen Schlages.

PERSÖNLICHE SICHERHEIT

- Seien Sie aufmerksam, achten Sie darauf, was Sie tun, und gehen Sie mit Vernunft an die Arbeit mit einem Elektrowerkzeug. Benutzen Sie das Gerät nicht, wenn Sie müde sind oder unter dem Einfluss von Drogen, Alkohol oder Medikamenten stehen. Ein Moment der Unachtsamkeit beim Gebrauch des Gerätes kann zu ernsthaften Verletzungen führen.
- Tragen Sie persönliche Schutzausrüstung und immer eine Schutzbrille. Das Tragen persönlicher Schutzausrüstung, wie Staubmaske, rutschfeste Sicherheitsschuhe, Schutzhelm oder Gehörschutz, je nach Art und Einsatz des Elektrowerkzeuges, verringert das Risiko von Verletzungen.
- Vermeiden Sie eine unbeabsichtigte Inbetriebnahme. Vergewissern Sie sich, dass der Schalter in der Position „AUS“ ist, bevor Sie

den Stecker in die Steckdose stecken. Wenn Sie beim Tragen des Geräts den Finger am Schalter haben oder das Gerät eingeschaltet an die Stromversorgung anschließen, kann dies zu Unfällen führen.

- Entfernen Sie Einstellwerkzeuge oder Schraubenschlüssel, bevor Sie das Gerät einschalten. Ein Werkzeug oder Schlüssel, der sich in einem drehenden Geräteteil befindet, kann zu Verletzungen führen.
- Überschätzen Sie sich nicht. Sorgen Sie für einen sicheren Stand und halten Sie jederzeit das Gleichgewicht. Dadurch können Sie das Gerät in unerwarteten Situationen besser kontrollieren.
- Tragen Sie geeignete Kleidung. Tragen Sie keine weite Kleidung oder Schmuck. Halten Sie Haare, Kleidung und Handschuhe fern von sich bewegenden Teilen. Lockere Kleidung, Schmuck oder lange Haare können von sich bewegenden Teilen erfasst werden.
- Wenn Staubabsaug- und -auffangeinrichtungen montiert werden können, vergewissern Sie sich, dass diese angeschlossen sind und richtig verwendet werden. Das Verwenden dieser Einrichtungen verringert Gefährdungen durch Staub.

SORGFÄLTIGER UMGANG UND GEBRAUCH VON ELEKTROWERKZEUGEN

- Überlasten Sie das Gerät nicht. Verwenden Sie für Ihre Arbeit das dafür bestimmte Elektrowerkzeug. Mit dem passenden Elektrowerkzeug arbeiten Sie besser und sicherer im angegebenen Leistungsbereich.
- Benutzen Sie kein Elektrowerkzeug, dessen Schalter defekt ist. Ein Elektrowerkzeug, das sich nicht mehr ein- oder ausschalten lässt, ist gefährlich und muss repariert werden.
- Ziehen Sie den Stecker aus der Steckdose, bevor Sie Geräteeinstellungen vornehmen, Zubehörteile wechseln oder das Gerät weglegen. Diese Vorsichtsmaßnahme verhindert den unbeabsichtigten Start des Geräts.
- Bewahren Sie unbenutzte Elektrowerkzeuge außerhalb der Reichweite von Kindern auf. Lassen Sie Personen das Gerät nicht benutzen, die mit diesem nicht vertraut sind oder diese Anweisungen nicht gelesen haben. Elektrowerkzeuge sind gefährlich, wenn Sie von unerfahrenen Personen benutzt werden.
- Pflegen Sie das Gerät mit Sorgfalt. Kontrollieren Sie, ob bewegliche Geräteteile einwandfrei funktionieren und nicht klemmen, ob Teile gebrochen oder so beschädigt sind, dass die Funktion des Gerätes beeinträchtigt ist. Las-

sen Sie beschädigte Teile vor dem Einsatz des Gerätes reparieren. Viele Unfälle haben ihre Ursache in schlecht gewarteten Elektrowerkzeugen.

- Halten Sie Schneidwerkzeuge scharf und sauber. Sorgfältig gepflegte Schneidwerkzeuge mit scharfen Schneidkanten verklemmen sich weniger und sind leichter zu führen.
- Verwenden Sie Elektrowerkzeug, Zubehör, Einsatzwerkzeuge usw. entsprechend diesen Anweisungen und so, wie es für diesen speziellen Gerätetyp vorgeschrieben ist. Berücksichtigen Sie dabei die Arbeitsbedingungen und die auszuführende Tätigkeit. Der Gebrauch von Elektrowerkzeugen für andere als die vorgesehenen Anwendungen kann zu gefährlichen Situationen führen.

SERVICE

- Lassen Sie Ihr Gerät nur von qualifiziertem Fachpersonal und nur mit Original-Ersatzteilen reparieren. Damit wird sichergestellt, dass die Sicherheit des Geräts erhalten bleibt.

IV - Zusätzliche Sicherheitshinweise für die Arbeit mit Bohrmaschinen

Die beim Arbeiten entstehenden Späne oder Bruchstücke und das Berühren der rotierenden Teile des Elektrowerkzeugs können zu schweren körperlichen Verletzungen und die Lärmbelastung zu Gehörschäden führen, falls die unten aufgeführten Sicherheitsvorschriften nicht beachtet werden.

- Während der Arbeit Schutzbrille tragen, um sich vor fliegenden Bruchstücken zu schützen.
- Bei andauernder Arbeit Gehörschutz tragen.
- Lange Haare nach hinten zusammenbinden und nur eng anliegende Arbeitskleidung benutzen.
- Das Netzkabel außerhalb des Arbeitsbereiches der Bohrmaschine führen.
- Immer einen festen und sicheren Stand für den Körper suchen.
- Das zu bearbeitende Werkstück fest spannen oder entsprechend sichern.
- Auf das Trägheitsmoment beim Anlassen der Bohrmaschine oder bei Festfahren des Bohrers achten.
- Vor jeglichen Einstellungen, Reparaturen oder Wartungsarbeiten am Elektrowerkzeug den

- Netzstecker ziehen.
- Das Elektrowerkzeug darf nicht im Freien bei Regen, in feuchter Umgebung (nach dem Regen) oder in der Nähe von leicht entflammablen Flüssigkeiten oder Gasen benutzt werden. Der Arbeitsplatz muss gut beleuchtet sein.

V - Bekanntmachung mit dem Elektrowerkzeug

1. Sicherungsschraube
2. Schnellspannbohrfutter
3. Spindelfixierungsstelle
4. Clip
5. Lüftungsöffnungen
6. Drehrichtungsumschalthebel
7. Elektronischer Drehzahlregler
8. Ein-Aus-Schalter
9. Schalterfeststellknopf

VI - Arbeitshinweise

Dieses Elektrowerkzeug wird nur mit einphasiger Wechselspannung versorgt. Es kann an Steckdosen ohne Schutzklemmen angeschlossen werden, da es nach EN 50144 und IEC 60745 doppelisoliert ist. Die Funkstörungen entsprechen den EN 55014-1, EN 55014-2, EN 61000-3-2, EN 61000-3-3.

Das Elektrowerkzeug ist zum Bohren in Stahl, Holz, Kunststoff u.ä. bestimmt.

VOR ALLEN ARBEITEN MIT DEM ELEKTROWERKZEUG IST DAS FOLGENDE ZU BEACHTEN

- Die Spannung der Stromquelle soll mit den Angaben auf dem Typenschild des Elektrowerkzeugs übereinstimmen.
- Stellung des Schalters. Das Elektrowerkzeug wird nur bei abgeschaltetem Schalter ans Netz angeschlossen und vom Netz getrennt. Falls das Elektrowerkzeug mit eingeschaltetem Schalter ans Netz angeschlossen wird, wird es sofort angelaufen. Das kann zu Verletzungen führen.
- Anschlusskabel und Stecker auf eventuelle Beschädigung kontrollieren. Im Fall von Beschädigung das Kabel sofort vom Hersteller oder von einem anerkannten Fachbetrieb erneuern lassen, um Gefahren von der Erneuerung zu vermeiden.

EINSETZEN UND ENTNEHMEN EINES WERKZEUGS



ACHTUNG: Vor jeglichen Arbeiten am Elektrowerkzeug den Netzstecker ziehen.

Den hinteren Kranz des Bohrfutters festhalten und den vorderen Kranz drehen, bis sich das Bohrfutter genug geöffnet hat, um das Werkzeug einzusetzen. Danach den vorderen Kranz mit der Hand festziehen.

EIN- UND AUSSCHALTEN

Momentschaltung:

- Einschalten: Ein-Aus-Schalter (8) drücken.
- Ausschalten: Ein-Aus-Schalter (8) loslassen.

Dauerschaltung:

- Einschalten: Ein-Aus-Schalter (8) drücken und bei gedrückter Stellung den Feststellknopf (9) arretieren.
- Ausschalten: Ein-Aus-Schalter (8) kurzzeitig drücken und sofort loslassen.



ACHTUNG: Bevor Sie den Stecker in die Steckdose stecken, überprüfen Sie stets, ob der Hauptschalter (8) sich betätigen und nach dem Loslassen in AUS-Position stellen lässt.

STUFENLOSE ELEKTRONISCHE DREHZAHLREGELUNG

Durch leichtes Drücken des Schalters (8) wird die Bohrmaschine mit niedrigen Drehzahlen angefahren, die durch Anheben des Druckes auf den Schalter bis zum Anschlag stufenlos bis max. erhöht werden.

DREHZAHLVORWAHL

Die gewünschte Drehzahl wird durch drehen am Regler (7) in Richtung Uhrzeigersinn oder entgegengesetzt gewählt.

DREHRICHTUNGSWECHSEL

Die Endstellung rechts des Hebels (6) bedeutet Drehen in Richtung entgegengesetzt dem Uhrzeigersinn und die Endstellung links – in Richtung Uhrzeigersinn. Bei gedrücktem Schalter (8) kann der Hebel (6) nicht betätigt werden. Ein Drehrichtungswechsel kann nur bei Stillstand der Bohrmaschine erfolgen.

LÖSEN UND EINDREHEN VON BOLZEN, SCHRAUBEN UND MUTTERN

Den entsprechenden Einsatz zum Eindrehen bzw. Lösen von Bolzen, Muttern oder Schrauben in das Bohrfutter (2) wie oben beschrieben festspannen. Durch den Drehrichtungsumschalthebel (6) wird die Operation Lösen oder Eindrehen ausgewählt. Dabei nur mit kleiner Drehzahl arbeiten.



ACHTUNG: Vorsicht beim Eindrehen langer Bolzen und Schrauben. Abrutschgefahr!

DEMONTAGE DES BOHRFUTTERS

Den hinteren Kranz des Bohrfutters festhalten und den vorderen Kranz drehen, bis das Bohrfutter völlig geöffnet wird.

Mit einem Schraubenzieher die Sicherungsschraube mit Linksgewinde lösen. In das Bohrfutter ein Sechskantendstück oder den Einsatz zum Eindrehen von Schrauben legen und festziehen. Die Spindelfixierungsstelle (3) mit einem Schraubenschlüssel erfassen und das Bohrfutter mit dem freien Ende des Endstücks entgegengesetzt dem Uhrzeigersinn drehen.

EMPFEHLUNGEN

Die Drehzahl in Abhängigkeit vom Material wählen, niedriger als die max. angegebene.

Empfehlenswert ist die Benutzung von Bohrern mit zylindrischem Schaft. Ab und zu den Bohrer aus dem Bohrloch herausziehen, damit der Staub beseitigt wird.

Wenn Löcher mit großem Durchmesser in Metall, Holz oder Kunststoff gebohrt werden sollen, zuerst eine Bohrung mit kleinerem Bohrer machen.

ZUBEHÖR ZUM BENUTZEN MIT DIESEM ELEKTROWERKZEUG

- Metallbohrer mit Durchmesser von $\varnothing 0.8$ bis $\varnothing 10$ mm.
- Holzbohrer mit Durchmesser von $\varnothing 0.8$ bis $\varnothing 20$ mm.
- Sechskanteinsätze 6.35 mm (1/4") zum Lösen und Eindrehen von Schrauben.

VII - Wartung und Pflege



ACHTUNG: Vor jeglichen Wartungsarbeiten am Elektrowerkzeug den Netzstecker ziehen.

AUSWECHSELN DER KOHLEBÜRSTEN

Wenn die Kohlebürsten abgenutzt sind, müssen beide Kohlebürsten in einer zuständigen Kundendienstwerkstatt für Garantie- und Reparaturleistungen der SPARKY-Elektrowerkzeuge ausgewechselt werden.

REINIGUNG

Für den sicheren Betrieb das Elektrowerkzeug und seine Lüftungsöffnungen 6 immer sauber halten.

Mindestens einmal wöchentlich bei laufendem Motor mit trockener Druckluft den Schmutz und den Staub von allen Lüftungsöffnungen säubern. Dabei immer Schutzbrille tragen.

Die Außenkunststoffteile können mit einem leicht angefeuchteten Tuch und einem milden Waschmittel gereinigt werden.



ACHTUNG: Obwohl die Außenkunststoffteile beständig auf Lösungsmittel sind, ist der Gebrauch von Lösungsmitteln nicht gestattet!

WICHTIG! Um den sicheren Betrieb des Elektrowerkzeugs und seine Zuverlässigkeit zu gewährleisten, sollen alle Reparatur-, Wartungs- und Einstellungsarbeiten (einschl. Überprüfung und Auswechseln der Kohlebürsten) in den autorisierten SPARKY Kundendienststellen bei der Verwendung von Originalersatzteilen durchgeführt werden.

VIII - Garantie

Die Garantiefrist der SPARKY-Elektrowerkzeuge wird im Garantieschein bestimmt.

Schäden, die auf natürliche Abnutzung, Überlastung oder unsachgemäße Handhabung zurückzuführen sind, bleiben von der Garantie ausgeschlossen.

Schäden, die durch Material- und/oder Herstellerfehler entstanden sind, werden unentgeltlich durch Ersatzlieferung oder Reparatur beseitigt.

Beanstandungen bezüglich eines beschädigten SPARKY-Elektrowerkzeugs können nur anerkannt werden, wenn das Gerät unzerlegt (im ursprünglichen Zustand) dem Lieferanten oder der befugten Kundendienstwerkstatt vorgelegt wird.

Bemerkungen

Lesen Sie aufmerksam die ganze Bedienungsanleitung, bevor Sie mit der Benutzung dieses Produktes beginnen.

Der Hersteller behält sich das Recht vor, Verbesserungen und Änderungen in seinen Erzeugnissen und in den Spezifikationen ohne Voranmeldung vorzunehmen.

Die Spezifikationen können für die verschiedenen Länder unterschiedlich sein.

Table des matières

I - Introduction	14
II - Spécifications techniques	15
III - Instructions de sécurité lors du travail avec outils électroportatifs	15
IV - Règles de sécurité supplémentaires lors du travail avec une perceuse	17
V - Connaître l'outil électroportatif	A/18
VI - Consignes de travail	18
VII - Entretien	19
VIII - Garantie	20

DÉBALLAGE

Votre nouvel outil électroportatif a été fabriqué en conformité avec toutes les technologies standard. Il est donc peu probable qu'il soit endommagé ou que l'une de ses parties soit manquante. Si vous remarquez une défaillance, interrompre le travail jusqu'à ce que la pièce défectueuse ne soit changée ou que la panne ne soit réparée. Le non-respect de cette instruction peut entraîner de graves accidents de travail.

ASSEMBLAGE

La perceuse BR 100E est livrée emballée est entièrement assemblée.

I - Introduction

Votre nouvel outil électroportatif SPARKY ira au-delà de vos attentes. Fabriqué selon des normes de qualité sévères, il répond à toutes les exigences des utilisateurs. Facile à entretenir et d'une sécurité garantie, votre nouvel outil SPARKY vous servira de longues années si vous vous conformez aux règles d'utilisation.

ATTENTION!

Merci de lire attentivement et en entier le manuel d'exploitation avant de mettre en service votre nouvel outil électroportatif SPARKY. Nous attirons tout spécialement votre attention aux textes précédés de «Attention». Votre outil électroportatif SPARKY possède des atouts qui faciliteront votre travail. Lors de sa conception le plus grand intérêt a été porté à la sécurité, aux qualités d'exploitation et à la fiabilité à toute épreuve qui en font une machine facile à entretenir et à manier.



Ne pas jeter les outils électroportatifs avec les ordures ménagères !

Les déchets provenant d'outils électriques ne doivent pas être ramassés avec les ordures ménagères. Prière de recycler sur les lieux qui y sont spécialement destinés. Contacter les autorités locales ou un représentant pour des consultations concernant le recyclage.

RESPECT DE L'ENVIRONNEMENT



Récupération des matières premières plutôt qu'élimination des déchets.

En vue à la protection de l'environnement, les appareils, comme d'ailleurs leurs accessoires et emballages, doivent pouvoir suivre chacun une voie de recyclage appropriée. Nos pièces en matières artificielles ont été marquées en vue d'un recyclage sélectif des différents matériaux.

LÉGENDE

L'outil électrique porte une plaque décrivant les signes spéciaux. Ils apportent une information importante quant au produit ou des instructions d'utilisation.



Double isolation pour une meilleure sécurité.



Conforme aux normes de sécurité européennes.




En conformité avec les exigences de la Règle de sécurité des équipements et produits allemande.



En conformité avec les exigences des standards Russes.

II - Spécifications techniques

Modèle:	BR 100E
▪ Tension d'alimentation:	230 V ~ 50 Hz
▪ Puissance absorbée:	350 W
▪ Vitesse à vide:	0–3000 min ⁻¹
▪ Variateur électronique de la vitesse:	Oui
▪ Réversibilité:	Oui
▪ Capacité du mandrin:	0.8–10 mm
▪ Capacité de perçage dans le acier / bois:	10 / 20 mm
▪ Poids:	1.4 kg
▪ Classe de protection (EN 60745) 	II
▪ Niveau de pression acoustique:	87 dB (A)
▪ Niveau de puissance acoustique:	98 dB (A)
▪ Valeur corrigée d'accélération:	3.79 m/s ²

III - Instructions de sécurité lors du travail avec outils électroportatifs

ATTENTION! Lire toutes les instructions ! Le non respect des consignes ci-dessous peut entraîner une électrocution, un incendie et/ou un grave accident de travail.

Conservez ces instructions pour consultation ultérieure!

LIEU DE TRAVAIL

- Entretien le lieu de travail propre et bien éclairé. Le désordre et le manque de lumière sur le lieu de travail prédisposent à des accidents de travail.
- Ne jamais travailler avec l'outil près de matières explosives, par ex. près de liquides facilement inflammables, de gaz ou de poussière. Les outils électroportatifs dégagent des étincelles qui pourraient enflammer la poussière ou les vapeurs.
- Tenir à l'écart enfants et tiers lors de l'utilisation de l'outil. Toute distraction pourrait entraîner une perte du contrôle de l'outil.

SÉCURITÉ ÉLECTRIQUE

- Les fiches des outils électriques doivent toujours correspondre aux prises électriques. Ne jamais modifier la fiche d'aucune façon. Ne jamais utiliser des raccords intermédiaires pour outils électriques à mise à terre de sécurité. L'utilisation des fiches d'origine et de leurs prises correspondantes diminue le risque d'électrocution.

- Pendant l'utilisation de la machine éviter tout contact corporel avec des éléments mis à terre (tuyauteries, radiateurs, cuisinières électriques, réfrigérateurs etc.). Si votre corps est mis à terre le risque d'électrocution est élevé.
- Ne pas exposer la machine à la pluie ou à l'humidité. Toute pénétration d'eau augmente le risque d'électrocution.
- Utiliser le fil d'alimentation à destination. Ne jamais utiliser le fil d'alimentation pour transporter ou traîner l'outil. Ne jamais tirer sur le fil d'alimentation pour débrancher l'outil. Tenir le fil d'alimentation à l'écart des sources de chaleur, d'huile, de pointes aiguës ou des pièces mobiles. Les fils d'alimentation endommagés ou enchevêtrés augmentent le risque d'électrocution.
- Lors de travail à découvert utiliser une rallonge destinée à l'utilisation à découvert. L'utilisation de rallonges conçues pour le travail à découvert diminue le risque d'électrocution.

SÉCURITÉ PERSONNELLE

- Prudence et mesure s'imposent. Travailler toujours avec beaucoup d'attention. Ne pas travailler avec l'outil en cas de fatigue, sous l'influence de stupéfiants, d'alcool ou de médicaments. Un moment d'inattention peut entraîner un grave accident de travail.
- Porter des éléments de protection personnelle. Toujours utiliser des protecteurs oculaires. Les éléments de protection personnelle, comme par ex. le masque anti-poussière, les bottes antidérapantes, le casque de sécurité et les protecteurs auriculaires, utilisés selon les conditions spécifiques, diminuent le risque d'accidents de travail.
- Éviter la mise en marche intempestive. S'as-

surer que l'interrupteur est en position ARRÊT avant de brancher l'outil au secteur. Porter l'outil le doigt sur l'interrupteur ou le brancher au secteur quand l'interrupteur est en position MARCHE prédispose à des accidents de travail.

- Enlever toute clé de serrage ou d'écrou avant de brancher l'outil au secteur. Une clé touchant à une pièce mobile de l'outil peut entraîner un accident de travail.
- Ne vous tendez pas. Garder une position assurée et en équilibre pendant l'utilisation. Ceci assure un meilleur contrôle de l'outil dans des situations inattendues.
- Porter des vêtements de travail appropriés. Éviter les vêtements flottants ou les bijoux. Garder cheveux, vêtements et gants loin des pièces mobiles. Les vêtements flottants, les bijoux ou les gants peuvent être entraînés par les pièces mobiles.
- Si l'outil électroportatif est pourvu de dispositifs d'aspiration et de stockage de la poussière, s'assurer qu'ils soient correctement raccordés et utilisés. L'utilisation de ces dispositifs diminue les risques liés à la poussière.

UTILISATION ET ENTRETIEN DES OUTILS ÉLECTROPORTATIFS

- Éviter toute surcharge de l'outil. Choisir toujours l'outil le plus approprié pour le travail concret. Le choix du bon outil garantira un meilleur rendement et une meilleure sécurité dans le cadre de la puissance à laquelle il a été conçu.
- Ne jamais utiliser l'outil si son interrupteur ne peut être déplacé en position MARCHE ou ARRÊT. Un outil électroportatif à interrupteur défectueux est dangereux et doit être réparé.
- Retirer la fiche du secteur avant toute manipulation sur l'outil électroportatif, échange de forets ou pour procéder à la conservation prolongée de l'outil. Cette mesure préventive diminue le risque d'une mise en marche involontaire.
- Lorsque non utilisés, les outils électroportatifs doivent être conservés loin de la portée des enfants. Éviter que des personnes ne connaissant pas l'outil ou ces instructions s'en servent. Les outils électroportatifs sont dangereux entre les mains d'utilisateurs inexpérimentés.
- Les outils électroportatifs nécessitent des soins. Vérifier que les pièces mobiles soient entières, qu'elles fonctionnent normalement et se déplacent librement. Faire attention à tout ce qui pourrait entraver le bon fonctionnement des outils électriques. L'outil endommagé de-

vra être réparé avant nouvelle utilisation. L'entretien négligent est la cause de nombreux accidents.

- Entretien des outils tranchants bien affûtés et propres. Les outils tranchants bien entretenus et ayant des bords bien tranchants sont rarement bloqués et sont mieux manœuvrés.
- Utiliser l'outil électroportatif, ses accessoires et ses forets, en respectant ces consignes et selon les règles d'utilisation préconisées pour ce type d'appareil, en tenant compte des conditions d'exploitation et du type de travail à effectuer. L'utilisation de l'outil pour une tâche autre que celle à laquelle il a été prévu pourrait engendrer un danger.

SERVICE APRÈS-VENTE

- Pour assurer une utilisation en toute sécurité, la réparation de l'outil revient à un professionnel qualifié utilisant uniquement des pièces de rechange d'origine.

IV - Règles de sécurité supplémentaires lors du travail avec une perceuse

Les copeaux et éclats projetés lors de l'utilisation de l'outil, le contact avec ses pièces mobiles ainsi que la perte de contrôle peuvent provoquer des lésions graves. Le bruit lors d'une utilisation prolongée peut entraîner des troubles de l'audition. Il est donc obligatoire de respecter les consignes de sécurité et les règles ci-dessous.

- Protéger les yeux des particules volantes. Le port de protecteurs oculaires est obligatoire.
- Le port de protecteurs auditifs lors d'utilisation prolongée est obligatoire.
- Éviter les vêtements de travail flottants et lier les cheveux derrière.
- Tenir le fil d'alimentation à l'écart de l'aire de travail de l'outil.
- Toujours veiller à ce que votre corps soit en position sûre et en équilibre.
- Fixer la pièce traitée dans un étau ou d'une autre manière appropriée.
- Suivre le moment d'inertie au lancement de la perceuse ou lors de blocage du foret.
- Retirer la fiche du secteur avant de procéder à un réglage de l'outil électroportatif, à une réparation ou entretien ou lors d'une coupure de courant .
- Il est à proscrire l'utilisation de l'outil à décou-

vert en temps de pluie, dans un milieu humide (après pluie) ou près de liquides ou gaz facilement inflammables. S'assurer que le lieu de travail soit bien éclairé.

V - Connaître l'outil électroportatif

1. Vis de sécurité
2. Mandrin à serrage rapide
3. Zone de fixation de la broche
4. Accessoire pour suspension
5. Ouïes de ventilation
6. Inverseur du sens de rotation
7. Variateur électronique de la vitesse
8. Interrupteur
9. Bouton de blocage de l'interrupteur

VI - Consignes de travail

Votre outil électroportatif est alimenté par un courant alternatif monophasé. Il peut être branché dans des prises sans bornes à terre grâce à sa double isolation selon les normes EN 60745 et IEC 60745. Les interférences radio suivent les normes EN 55014-1, EN 55014-2, EN 61000-3-2, EN 61000-3-3.

Votre perceuse est conçue pour percer des ouvertures dans l'acier, le bois, le plastique etc.

SE PRÉPARER AU TRAVAIL

- Vérifier que la tension dans le réseau de distribution répond à celui marqué sur la plaque à caractéristiques techniques sur l'outil.
- Vérifier la position de l'interrupteur. L'outil doit être branché et débranché uniquement à l'interrupteur en position ARRÊT. Si l'outil est branché au secteur quand l'interrupteur est en position MARCHE, il se mettra en marche immédiatement ce qui prédispose à des accidents.
- S'assurer du bon état du fil d'alimentation et de la fiche. Si le fil d'alimentation est endommagé il devra être remplacé par le producteur ou par un service après-vente agréé, pour éviter les dangers d'un remplacement mal effectué.
- S'assurer que la poignée auxiliaire soit bien montée et fermement serrée.

METTRE EN PLACE ET RETIRER LE FORET ET L'EMBOUT



ATTENTION: Arrêter toujours l'outil et retirer la fiche du secteur avant toute manipulation.

Saisir le collier du mandrin (l'anneau postérieur) et tourner le corps du mandrin (l'anneau antérieur) de façon à que les mors du mandrin s'ouvrent et laissent entrer librement le foret ou l'embout. Ensuite serrer à la main l'anneau antérieur.

MISE EN MARCHÉ – ARRÊT

Travail de courte durée:

- Mise en marche: interrupteur (8) est appuyé.
- Arrêt: interrupteur (8) est relâché.

Travail continu:

- Mise en marche: interrupteur (8) est appuyé et bloqué en cette position avec le bouton (9).
- Arrêt: interrupteur (8) est appuyé une seule fois et relâché de suite.



ATTENTION: Avant de brancher la fiche au secteur toujours vérifier que l'interrupteur (8) peut être actionné et que relâché il retourne en position ARRÊT.

RÉGLAGE DE LA VITESSE SANS DEGRÉS

Appuyer légèrement sur l'interrupteur (8) pour mettre en marche l'outil à lente vitesse, celle-ci atteindra son maximum en augmentant la pression sur l'interrupteur et en l'enfonçant jusqu'au bout.

RÉGLER LA VITESSE

Le réglage de la vitesse se fait à travers le variateur électronique (7) dans le sens des aiguilles d'une montre ou dans le sens contraire.

INVERSER LE SENS DE ROTATION

La position de gauche de l'inverseur de rotation (6) signifie une rotation dans le sens des aiguilles d'une montre et la position de droite – dans le sens opposé.

En appuyant sur l'interrupteur (8) l'inverseur de rotation (6) ne peut être déplacé. Le changement du sens de rotation doit être fait uniquement à perceuse en repos.

VISSER ET DÉVISSER DES BOULONS, DES VIS ET DES ÉCROUS

Comme décrit ci-dessus le mandrin (2) reçoit l'accessoire approprié pour visser ou dévisser des boulons, des écrous ou des vis. Avec l'inverseur de rotation (6) l'on choisit de visser ou de dévisser. Ces opérations ne sont à effectuer qu'à vitesse basse.



ATTENTION: Lors du vissage de boulons ou de vis longs faire attention au glissement possible de la perceuse.

RETRAIT DU MANDRIN

Tenir le collier du mandrin (l'anneau postérieur) et tourner le corps du mandrin (l'anneau antérieur) jusqu'à ce que les mors du mandrin s'ouvrent complètement.

À l'aide d'un tournevis dévisser la vis de sécurité avec filetage à gauche. Introduire dans le mandrin un embout à six pans ou l'accessoire pour vissage de vis et visser. La zone de fixation de la broche (3) est prise avec une clé et le mandrin est tourné dans le sens contraire des aiguilles d'une montre par le bout libre de l'embout.

RECOMMANDATIONS LORS DU TRAVAIL AVEC LA PERCEUSE

Perçer à une vitesse inférieure à la maximale en tenant compte du matériel traité.

Utiliser des forets à queue cylindrique.

Tenir compte du degré d'émoussement du foret et le changer en cas d'un rendement fortement diminué. En perçant une ouverture de plus grand diamètre dans du métal, du bois ou du plastique, percer d'abord une ouverture avec un foret de moindre diamètre.

ACCESSOIRES À UTILISER AVEC CET OUTIL ÉLECTROPORATIF

- Forets pour acier avec diamètre de Ø0.8 mm à Ø10 mm.
- Forets pour bois avec diamètre de Ø0.8 mm à Ø20 mm
- Embouts à six pans 6.35 mm (1/4") pour visser les vis.

VII - Entretien



ATTENTION: Toujours arrêter l'outil et retirer la fiche du secteur avant toute vérification ou entretien de l'outil électroportatif.

CHANGER LES BALAIS

Quand les balais sont usés, tous les deux devront être changés en même temps avec des balais d'origine dans un service après-vente agréé SPARKY.

NETTOYAGE

Pour assurer la sécurité de travail entretenir l'outil propre et les ouïes de ventilation dégagées (5).

Le moteur électrique en marche chasser les saletés et la poussière de tous les ouïes de ventilation avec de l'air sec comprimé au moins une fois par semaine.

Le port de protection oculaire lors de cette opération est obligatoire. Les parties extérieures en plastique peuvent être nettoyées avec un chiffon humide et un détergent à action faible.



ATTENTION: Bien que les parties extérieures en plastique soient résistantes aux solvants il est interdit d'utiliser des solvants pour les nettoyer!

IMPORTANT! Pour assurer la sécurité de travail avec la machine ainsi que sa fiabilité, toute réparation, entretien ou réglage (y compris le contrôle et l'échange des balais) doivent être effectués dans les services après-vente agréés de SPARKY en utilisant uniquement des pièces d'origine.

VIII - Garantie

La période de garantie des outils électroportatifs SPARKY est définie dans le contrat de garantie.

La garantie ne couvre pas les pannes apparues suite à l'usure naturelle, une surcharge ou une mauvaise exploitation.

Les pannes survenues pour cause de matériaux défectifs et/ou d'erreurs de fabrication seront réparées gratuitement ou le produit sera échangé.

Les réclamations pour un instrument SPARKY défectueux seront honorées si la machine est retournée au livreur ou est présentée à un service après-vente agréé assemblé et dans son état original (assemblée).

Note

Merci de lire attentivement le manuel d'exploitation avant de vous servir de ce produit.

Le fabricant ne se défait pas du droit d'introduire des améliorations et des changements dans ses produits ainsi que de changer les spécifications sans avis préalable.

Les spécifications peuvent différer selon les pays.

Содержание

I - Введение	21
II - Технические данные	23
III - Инструкции по безопасности при работе с электроинструментами	23
IV - Дополнительные правила безопасности при работе с дрелью	24
V - Знакомство с электроинструментом	A/25
VI - Указания по работе	25
VII - Обслуживание	26
VIII - Гарантия	27

РАСПАКОВКА

В соответствие с общепринятой технологией производства мало вероятно, что Ваш новый электроинструмент находится в неисправности, или не хватает какой-либо его части. Все же, если Вы заметите несоответствия, не начинайте использовать электроинструмент до тех пор, пока его поврежденная часть не будет заменена, а дефект – устранен. Невыполнение данной рекомендации может привести к производственным травмам.

СБОРКА

Дрель BR 100E поставляется в упакованном и полностью собранном виде.

I - Введение

Приобретенный Вами электроинструмент SPARKY превзойдет Ваши ожидания. Инструмент изготовлен в соответствие со строгими стандартами качества SPARKY, отвечающими высоким требованиям потребителей. Дрель проста в обращении и безопасна в эксплуатации. При правильном употреблении этот электроинструмент будет служить Вам долгие годы.

ВНИМАНИЕ!

Внимательно прочтите инструкцию по эксплуатации перед тем, как приступить к использованию электродрели SPARKY. Специальное внимание обратите на тексты, начинающиеся словом «Внимание». Ваша электродрель SPARKY обладает многими качествами, которые упростят Вашу работу. При ее разработке наибольшее внимание обращено на безопасность, эксплуатационные качества и надежность, что упрощает поддержку и эксплуатацию инструмента.



Не выбрасывайте электроинструменты вместе с бытовыми отходами!

Отработанные электрические изделия не должны выбрасываться совместно с бытовыми отходами. Просьба оставлять их в специально предназначенных для этого местах. Проконсультируйтесь по этому поводу с местными властями или их представителем.

ОХРАНА ОКРУЖАЮЩЕЙ СРЕДЫ



С учетом охраны окружающей среды электроинструмент, принадлежности и упаковка должны подвергнуться подходящей переработке для повторного использования содержащегося в них сырья. Для облегчения рециклирования деталей, произведенных из искусственных материалов, они обозначены соответствующим образом.

ОПИСАНИЕ СИМВОЛОВ

На табличке с данными электродрели нанесены специальные символы. Они представляют собой важную информацию об использовании инструмента и его характеристиках.



Двойная изоляция в целях дополнительной защиты.



Соответствие европейским стандартам безопасности.




Соответствует требованиям немецкого закона по безопасности оборудования и приборов.



Соответствует требованиям русских нормативных документов.

II - Технические данные

Модель:	BUR 131E
▪ Напряжение питания:	230 V ~ 50 Hz
▪ Потребляемая мощность:	350 W
▪ Холостые обороты:	0–3000 min ⁻¹
▪ Электронное регулирование оборотов:	Да
▪ Смена направления вращения:	Да
▪ Обхват патрона:	0,8–10 mm
▪ Максимальный диаметр сверла для стали / дерева:	10 / 20 mm
▪ Вес:	1,4 kg
▪ Класс защиты (EN 60745) 	II
▪ Уровень звукового давления:	87 dB (A)
▪ Уровень звуковой мощности:	98 dB (A)
▪ Корректированный показатель ускорения:	3,79 m/s ²

III - Инструкции по безопасности при работе с электроинструментами

ВНИМАНИЕ! Ознакомьтесь со всеми инструкциями! Несоблюдение перечисленных ниже указаний может привести к поражению электрическим током, пожару и/или др. опасному инциденту.

Сохраняйте эти инструкции!

РАБОЧЕЕ МЕСТО

- Содержите рабочее место в чистоте, хорошо освещенным. Беспорядок и недостаточное освещение рабочего места являются предпосылкой возникновения трудовых инцидентов.
- Не используйте электроинструменты во взрывоопасной среде, например в присутствии воспламеняющихся жидкостей, газов или пыли. Электроинструменты создают искры, которые могут воспламенить пары и пыль.
- Не подпускайте на близкое расстояние детей и посторонних лиц во время работы с электроинструментом. В результате невнимания возможна потеря контроля с Вашей стороны.

ЭЛЕКТРИЧЕСКАЯ БЕЗОПАСНОСТЬ

- Штепсель электроинструмента должен соответствовать контактным гнездам. Никогда не модифицируйте штепсель. Не используйте какие-либо адаптеры с защитным заземлением. Использование

оригинальных штепселей и соответствующих контактов снижает риск удара током.

- Избегайте соприкосновения Вашего тела с заземленными поверхностями водопроводных труб, радиаторов, кухонных плит и холодильников, т.к. в этом случае существует повышенная опасность поражения электрическим током.
- Не подвергайте электроинструменты воздействию дождя и влаги. Проникновение в электроинструмент воды повышает опасность поражения электрическим током.
- Используйте кабель по назначению. Никогда не используйте кабель для переноса, волочения или отключения от контактного гнезда электроинструмента. Держите кабель вдали от источников тепла, острых или движущихся частей. Поврежденный или запутанный кабель повышает опасность поражения электрическим током.
- Во время наружной работы электроинструмента используйте кабель, специально предназначенный для этого. Использование предназначенных для наружной работы удлинителей понижает опасность поражения электрическим током.

ЛИЧНАЯ БЕЗОПАСНОСТЬ

- При работе электроинструмента сохраняйте повышенное внимание и поступайте обдуманно. Не используйте электроинструмент, если Вы устали, или находитесь под влиянием наркотиков, алкоголя или медикаментов. Моментное невнимание при работе электроинструмента может привести к серьезной производственной травме.

- Пользуйтесь индивидуальными средствами защиты. Всегда носите защитные очки. Индивидуальные средства защиты, такие как, например, маска против пыли, нескользкая обувь, защитный шлем или антифоны, используемые в зависимости от конкретной ситуации, снижают опасность возникновения производственной травмы.
- Избегайте невольного пуска инструмента. Убедитесь, что выключатель установлен в позиции «выключено», после чего подключите инструмент в электросеть. Ношение инструмента с пальцем на пуске, или подключение в электросеть в режиме «включено» содержит серьезный риск.
- Удалите гаечные и др. ключи перед включением инструмента. Ключ, расположенный в зоне действия вращающейся части инструмента, может привести к серьезной травме.
- Не перетягивайтесь, а сохраняйте правильное положение тела в течение работы. Это позволит лучше удерживать электроинструмент в непредусмотренных ситуациях.
- Используйте подходящую рабочую одежду. Не надевайте широкую одежду или украшения. Держите свои волосы, одежду и перчатки на достаточном расстоянии от вращающихся частей. Широкая одежда, украшения или длинные волосы могут попасть в движущиеся части.
- Если электроинструмент снабжен приспособлением для пыли, обеспечьте правильную сборку и использование. Применение таких приспособлений понижает связанные с пылью риски.

ЭКСПЛУАТАЦИЯ И УХОД ЗА ЭЛЕКТРОИНСТРУМЕНТАМИ

- Не перегружайте электроинструмент. Подберите подходящий для конкретной работы электроинструмент. Правильно выбранный электроинструмент работает лучше и более безопасно в диапазоне той мощности, для которой он спроектирован.
- Не используйте электроинструмент в тех случаях, когда его выключатель не работает. Электроинструмент, которым нельзя управлять с помощью его выключателя, опасен и подлежит ремонту.
- Отключите штепсель от электросети перед тем, как начать какие-либо настройки, замену принадлежностей или хранение электроинструмента. Такая превентивная

- мера безопасности снижает риск невольного пуска электроинструмента.
- В периоды, когда Вы не работаете с Вашими электроинструментами, храните их в месте, недоступном для детей, и не позволяйте лицам, незнакомым с работой электроинструмента или с настоящими инструкциями, его использовать. Электроинструменты представляют опасность в руках неподготовленных потребителей.
- Проводите проверку электроинструмента. Убедитесь, что вращающиеся части работают нормально и свободно, находятся в целостности и исправности, а также проверяйте все обстоятельства, которые могли бы неблагоприятно повлиять на работу электроинструментов. В случае повреждения электроинструмент необходимо отремонтировать для дальнейшего использования. Плохое обслуживание является причиной большого количества инцидентов.
- Поддерживайте режущие части инструмента острыми и чистыми. Правильно поддерживаемые режущие части реже блокируются и проще управляются.
- Используйте электроинструмент, его принадлежности и рабочие инструменты в соответствии с настоящей инструкцией, способом, предусмотренным для конкретного вида электроинструмента, исходя из условий эксплуатации и характера проводимых работ. Использование электроинструмента не по назначению может создать опасную ситуацию.

СЕРВИЗНОЕ ОБСЛУЖИВАНИЕ

- Ремонт инструмента выполняется только квалифицированным специалистом, с использованием оригинальных запасных частей. Таким образом, обеспечивается безопасная работа электроинструмента.

IV - Дополнительные правила безопасности при работе с дрелью

Выделяемые при работе с электроинструментом стружки или обломки, а также прикосновение к его вращающимся элементам может вызвать тяжелые физические травмы, а шум при продолжительной работе – повреждение слуха, если не соблюдаются инструкции без-

опасности и перечисленные ниже правила.

- Во время работы пользуйтесь средствами защиты зрения, чтобы защитить себя от летящих частиц. Носите защитные очки.
- Пользуйтесь средствами защиты слуха при продолжительной работе.
- Собирайте волосы сзади в пучок и не носите свободную рабочую одежду.
- Держите кабель питания вне рабочего охвата машины.
- Найдите постоянное, надежное и устойчивое положение своего тела во время работы.
- Фиксируйте обрабатываемую деталь тисками, или другим подходящим способом.
- Наблюдайте за инерционным моментом при запуске дрели или при блокировке сверла.
- Отключите штепсель от электросети перед тем, как выполнять любые настройки, ремонт или обслуживание, а также при утечке питания.
- Электроинструмент не следует использовать вне помещения в дождливую погоду, во влажной среде (после дождя) или в непосредственной близости к легко воспламеняющимся веществам и газам. Рабочая площадка должна иметь хорошее освещение.

V - Знакомство с электроинструментом

1. Предохранительный винт
2. Быстрозажимный патрон
3. Место фиксации шпинделя
4. Держатель крепления на ремне
5. Вентиляционные отверстия
6. Рычаг смены направления вращения
7. Электронный регулятор оборотов
8. Выключатель
9. Кнопка застопоривания выключателя

VI - Указания по работе

Этот электроинструмент работает только при переменном напряжении. Его можно подключать к контактам без защитных клемм, т.к. он имеет двойную изоляцию согласно EN 60745 и IEC 60745. Радиопомехи соответствуют EN 55014-1, EN 55014-2, EN 61000-3-2, EN 61000-3-3.

Электроинструмент предназначен для сверления отверстий в стали, дереве, пластмассе и т.д.

ПЕРЕД НАЧАЛОМ РАБОТЫ

- Проверьте соответствие напряжения электросети и обозначенных на табличке электроинструмента технических данных.
- Проверьте положение выключателя. Электроинструмент необходимо подключать и выключать из электросети только в выключенном положении выключателя. Если Вы введете штепсель в контакт в то время, когда переключатель находится во включенном положении, электроинструмент сразу же будет задействован, что может привести к несчастному случаю.
- Убедитесь в исправности кабеля питания и штепселя. В случае повреждения, замену кабеля должен выполнить или производитель, или его сервисный специалист, во избежание возможных рисков.
- Проверьте правильность и надежность установки дополнительной рукоятки.

МОНТАЖ И И ДЕМОНТАЖ СВЕРЛА И НАКОНЕЧНИКА



ВНИМАНИЕ: Перед началом любой работы отключайте электроинструмент из сети и вынимайте штепсель из контакта.

Удерживая заднюю коронку патрона, вращайте переднюю коронку до тех пор, пока патрон не раскроется достаточно, чтобы вставить в него сверло или наконечник. Затяните переднюю коронку.

ПУСК – ОСТАНОВКА

Кратковременный пуск:

- Пуск: Нажать выключатель (8).
- Остановка: Отпустить выключатель (8).

Продолжительная работа:

- Пуск: Нажимая на выключатель (8), застопорить кнопку (9).
- Остановка: Однократно нажать и сразу же отпустить выключатель (8).



ВНИМАНИЕ: Перед тем, как вставить штепсель в контакт, всегда проверяйте, может ли сработать переключатель (8) и вернуться в положение «Выключено» после того, как будет отпущен.

ЭЛЕКТРОННАЯ РЕГУЛЯЦИЯ ОБОРОТОВ

Слегка нажать на выключатель (8), что приведет к работе дрели на низких оборотах, которые плавно увеличиваются до максимальных путем увеличения нажима на выключатель вплоть до крайнего положения.

ВЫБОР ОБОРОТОВ

Необходимые обороты можно выбрать путем вращения электронного регулятора (7) по часовой стрелке или обратно.

СМЕНА НАПРАВЛЕНИЯ ВРАЩЕНИЯ

Крайнее правое положение рычага (6) означает вращение обратно часовой стрелке, а крайнее левое - по часовой стрелке.

При нажатии выключателя (8) рычаг (6) не срабатывает. Изменение направления вращения необходимо производить только в режиме остановки дрели.

ОТКРУЧИВАНИЕ И ЗАКРУЧИВАНИЕ БОЛТОВ, ВИНТОВ И ГАЕК

В патрон (2) вставляется описанным выше способом соответствующее приспособление для откручивания или закручивания болтов, гаек или винтов. С помощью рычага (6) для смены направления вращения выбрать режим откручивания/закручивания. Данные операции выполняются только на низких оборотах.



ВНИМАНИЕ: При закручивании длинных болтов и винтов существует опасность выскальзывания дрели.

ДЕМОНТАЖ ПАТРОНА

Удерживая заднюю коронку патрона, вращать переднюю коронку до тех пор, пока патрон не раскроется до конца.

С помощью отвертки открутить винт с левой резьбой. Вставить в патрон шестигранный наконечник или приспособление для откручивания винтов и стянуть. В место фиксации шпинделя (3) установить гаечный ключ, и вращать патрон обратно часовой стрелке.

РЕКОМЕНДАЦИИ ПРИ РАБОТЕ С ДРЕЛЬЮ

Работайте на более низких, чем максимальных, оборотах, подбирая обороты в зависимости от материала.

Используйте сверла с цилиндрическим хвостиком.

Следите за степенью остроты сверла, и проведите его замену, если заметите значительное снижение производительности.

При сверлении отверстия с большим диаметром в металле, дереве или пластмассе, предварительно сделайте отверстие небольшим сверлом.

ПРИНАДЛЕЖНОСТИ, КОТОРЫЕ МОЖНО ИСПОЛЬЗОВАТЬ С ДАННЫМ ЭЛЕКТРОИНСТРУМЕНТОМ

- Сверла для металла диаметром от Ø0,8 до Ø10 mm.
- Сверла для древесины диаметром от Ø0,8 до Ø20 mm.
- Наконечники с шестигранником 6,35 mm (1/4") для закручивания винтов.

VII - Обслуживание



ВНИМАНИЕ: Перед началом любой проверки или обслуживания отключайте электроинструмент и вынимайте штепсель из контакта.

ЗАМЕНА ЩЕТОК

Когда щетки изнашиваются, необходимо одновременно заменить обе щетки на оригинальные в сервисе SPARKY гарантийного и после гарантийного обслуживания.

ЧИСТКА

В целях безопасности всегда поддерживайте электроинструмент и его вентиляционные отверстия (5) в чистоте.

В режиме вращающегося двигателя, не менее раза в неделю продуйте все вентиляционные отверстия от пыли и загрязнений сухим воздухом. Во время этой операции носите защитные очки. Внешние пластмассовые части можно протирать влажной салфеткой и слабым раствором моющего средства.



ВНИМАНИЕ: Несмотря на то, что внешние пластмассовые части устойчивы к растворителям, употребление каких-либо растворителей не допускается!

ВАЖНО! В целях безопасной работы электроинструмента и его надежности, весь ремонт, обслуживание и регулировка (включительно проверка и замена щеток) должны проводиться в специализированных сервисах SPARKY, при использовании только оригинальных запасных частей.

VIII - Гарантия

Гарантийный срок электроинструментов SPARKY указан в гарантийной карте.

Неисправности, возникшие в результате естественного изнашивания, перегрузки или неправильной эксплуатации, не входят в гарантийные обязанности.

Неисправности, возникшие вследствие применения некачественных материалов и/или производственных ошибок, устраняются без дополнительной оплаты путем замены или ремонта.

Рекламации на дефектный электроинструмент SPARKY признаются в том случае, когда машина будет возвращена поставщику, или представлена специализированному гарантийному сервису в не разобранном (первоначальном) виде.

Замечания

Внимательно прочтите всю инструкцию по эксплуатации перед тем, как приступить к использованию этого изделия.

Производитель сохраняет за собой право вносить в свои изделия улучшения и изменения, а также изменять спецификации без предупреждения.

Спецификации для разных стран могут различаться.

Съдържание

I - Въведение	28
II - Технически данни	30
III - Инструкции за безопасност при работа с електроинструменти	30
IV - Допълнителни правила за безопасност при работа с бормашини	32
V - Запознаване с електроинструмента	A/32
VI - Указания за работа	32
VII - Поддръжка	34
VIII - Гаранция	34

РАЗОПАКОВАНЕ

В съответствие с общоприетите технологии на производство е малко вероятно новопридобитият от Вас електроинструмент да е неизправен или някоя от частите му да липсва. Ако забележите, че нещо не е наред, не работете с електроинструмента докато повредената част не се смени или дефектът не бъде отстранен. Неизпълнението на тази препоръка може да доведе до сериозна трудова злополука.

СГЛОБЯВАНЕ

Бормашината BR 100E се доставя опакована и напълно сглобена.

I - Въведение

Новопридобитият от Вас електроинструмент SPARKY ще надхвърли Вашите очаквания. Той е произведен в съответствие с високите стандарти на качеството на SPARKY, отговарящи на строгите изисквания на потребителя. Лесен за обслужване и безопасен при експлоатация, при правилна употреба този електроинструмент ще Ви служи надеждно дълги години.

ВНИМАНИЕ!

Внимателно прочетете цялата инструкция за експлоатация преди да използвате новопридобития си електроинструмент SPARKY. Обърнете специално внимание на текстовете, които започват с думата „Внимание“. Вашият електроинструмент SPARKY притежава много качества, които ще улеснят Вашата работа. При разработката на този електроинструмент най-голямо внимание е обърнато на безопасността, експлоатационните качества и надеждността, които го правят лесен за поддръжка и експлоатация.



Не изхвърляйте електроинструменти заедно с битовите отпадъци!

Отпадъците от електрически изделия не трябва да се събират заедно с битовите отпадъци. Моля, рециклирайте на местата, предназначени за това. Свържете се с местните власти или представител за консултация относно рециклирането.

ОПАЗВАНЕ НА ОКОЛНАТА СРЕДА



С оглед опазване на околната среда електроинструментът, принадлежностите и опаковката трябва да бъдат подложени на подходяща преработка за повторно използване на съдържащите се в тях суровини. За облекчаване на рециклирането детайлите, произведени от изкуствени материали, са обозначени по съответния начин.

ОПИСАНИЕ НА СИМВОЛИТЕ

Върху табелката с данни на електроинструмента са означени специални символи. Те предоставят важна информация за продукта или инструкции за неговото ползване.



Двойна изолация за допълнителна защита.



Съответствие с европейските стандарти за безопасност.




Съответства на изискванията на немската наредба за безопасност на оборудване и изделия.



Съответства на изискванията на руските нормативни документи.

II - Технически данни

Модел:	BR 100E
▪ Захранващо напрежение:	230 V ~ 50 Hz
▪ Консумирана мощност:	350 W
▪ Обороти на празен ход:	0–3000 min ⁻¹
▪ Електронно регулиране на оборотите:	Да
▪ Смяна посоката на въртене:	Да
▪ Обхват на патронника:	0,8–13 mm
▪ Максимален диаметър на свредлото за стомана / дърво / бетон:	10 / 20 mm
▪ Тегло:	1,4 kg
▪ Клас на защита (EN 60745) 	II
▪ Ниво на звуково налягане:	87 dB (A)
▪ Ниво на звукова мощност:	98 dB (A)
▪ Коригирана стойност на ускорението:	3,79 m/s ²

III - Инструкции за безопасност при работа с електроинструменти

ВНИМАНИЕ! Прочетете всички инструкции! Неспазването на изброените по-долу инструкции може да предизвика поражение от електрически ток, пожар и/или сериозна трудова злополука.

Съхранявайте тези инструкции!

РАБОТНО МЯСТО

- Поддържайте работното място чисто и добре осветено. Безпорядъкът и недостатъчното осветление на работното място са предпоставка за трудови злополуки.
- Не работете с електроинструментите във взривоопасна среда, например в присъствието на запалими течности, газове или прах. Електроинструментите искрят, което може да възпламени праха или парите.
- Дръжте на разстояние децата и страничните лица, когато работите с електроинструмента. Разсейването може да предизвика загуба на контрол от Ваша страна.

ЕЛЕКТРИЧЕСКА БЕЗОПАСНОСТ

- Щепселите на електроинструментите трябва да съответстват на контактните гнезда. Никога не модифицирайте щепсела по какъвто и да било начин. Не използвайте каквито и да било адаптерни щепсели за електроинструменти със защитно

заземяване. Употребата на оригиналните щепсели и съответстващите им контакти намалява риска за поражение от електрически ток.

- Избягвайте допир на тялото със заземени повърхности като водопроводни тръби, радиатори, кухненски печки и хладилници. Ако тялото ви е заземено, съществува повишен риск от поражение от електрически ток.
- Не излагайте електроинструментите на дъжд или влага. Проникването на вода в електроинструмента повишава риска за поражение от електрически ток.
- Използвайте кабели по предназначение. Никога не използвайте кабели за пренасяне, влачене или изваждане от контактното гнездо на електроинструмента. Дръжте кабели на разстояние от източници на топлина, масло, остри ръбове или движещи се части. Повредените или оплетени кабели повишават риска за поражение от електрически ток.
- При работа с електроинструмента на открито, използвайте удължител, предназначен за експлоатация на открито. Използването на предназначени за работа на открито удължители намалява риска от поражение от електрически ток.

ЛИЧНА БЕЗОПАСНОСТ

- Бъдете нащрек, работете с повишено внимание и постъпвайте обмислено, когато работите с електроинструмента. Не използвайте електроинструмента, когато сте уморени или под влияние на наркотици, алкохол или медикаменти. Моментно нев-

нимание при работа с електроинструмента може да предизвика сериозна трудова злополука.

- Използвайте индивидуални защитни средства. Винаги използвайте предпазни очила. Индивидуалните защитни средства, например прахозащитна маска, неплъзгащи се обувки, защитен шлем или антифони, използвани в зависимост от конкретните условия, намаляват риска от трудови злополуки.
- Избягвайте неволно пускане. Убедете се, че прекъсвачът е в изключено положение преди да присъедините електроинструмента към захранващата мрежа. Носенето на електроинструмента с пръст върху прекъсвача или свързването към мрежата на електроинструмент с прекъсвач във включено положение е предпоставка за злополуки.
- Отстранете ключовете за затягане или гаечните ключове преди включване на електроинструмента. Ключ, намиращ се в досег с въртяща част на електроинструмента, може да предизвика трудова злополука.
- Не се пресягайте. Поддържайте правилна стойка и равновесие през цялото време. Това позволява по-добро владение на електроинструмента при непредвидени ситуации.
- Използвайте подходящо работно облекло. Не носете широки дрехи или бижута. Пазете косите, дрехите и ръкавиците си далеч от движещи се части. Широките дрехи, бижутата или дългите коси могат да се захванат от движещи се части.
- Ако електроинструментът е снабден с приспособления за изсмукване и събиране на прах, осигурете тяхното правилно свързване и използване. Използването на тези приспособления намалява свързани с прах рискове.

ЕКСПЛОАТАЦИЯ И ГРИЖИ ЗА ЕЛЕКТРОИНСТРУМЕНТИТЕ

- Не претоварвайте електроинструмента. Изберете подходящ електроинструмент за конкретната работа. Правилно избраният електроинструмент работи по-добре и по-безопасно в диапазона на мощността, за която е проектиран.
- Не използвайте електроинструмента, ако прекъсвачът му не може да превключва във включено и изключено положение. Електроинструмент, който не може да

бъде управляван с прекъсвача си, е опасен и трябва да бъде ремонтиран.

- Извадете щепсела от захранващата мрежа преди да извършвате каквито и да било настройки, замяна на принадлежности или съхранение на електроинструмента. Тази превантивна мярка за безопасност намалява риска от неволно пускане на електроинструмента.
- Когато не работите с електроинструментите, съхранявайте ги на място, недостъпно за деца и не позволявайте на лица, които не познават електроинструмента или тези инструкции, да работят с него. Електроинструментите са опасни в ръцете на необучени потребители.
- Поддържайте електроинструментите. Проверявайте дали движещите се части функционират нормално и се движат свободно, целостта и изправността на частите, както и за всякакво друго обстоятелство, което може неблагоприятно да повлияе на работата на електроинструментите. Ако е повреден, електроинструментът трябва да бъде ремонтиран преди по-нататъшна употреба. Лошата поддръжка е причина за голям брой злополуки.
- Поддържайте режещите инструменти остри и чисти. Правилно поддържаните режещи инструменти с остри режещи ръбове по-рядко блокират и се управляват по-лесно.
- Използвайте електроинструмента, принадлежностите и работните му инструменти в съответствие с тези инструкции и по начина, предвиден за конкретния тип електроинструмент, като вземате предвид условията на експлоатация и характера на извършваната работа. Използването на електроинструмента за работа, различна от тази, за която е предназначен, може да предизвика опасна ситуация.

СЕРВИЗНО ОБСЛУЖВАНЕ

- Ремонтът трябва да се извършва от квалифициран специалист, като се използват само оригинални резервни части. По този начин се осигурява безопасната работа с електроинструмента.

IV - Допълнителни правила за безопасност при работа с ударни бормашини

Отделящите се при работа с електроинструмента стружки или отломки и докосването на въртящи се негови части могат да предизвикат тежки физически травми, а шумът при продължителна работа – слухови увреждания, ако не се спазват инструкциите за безопасност и долуизброените правила.

- По време на работа използвайте средства за защита на зрението, за да се предпазите от хвърчащи частици. Носете защитни очила.
- Използвайте средства за защита на слуха при продължителна работа.
- Привързвайте дългите коси отзад и не използвайте свободно висящо работно облекло.
- Дръжте захранващия кабел извън работния обсега на машината.
- Търсете постоянно сигурно и устойчиво положение на тялото си.
- Фиксирайте обработвания детайл в менгеме или по друг подходящ начин.
- Следете инерционния момент при пускане на бормашината или при засядане на свредлото.
- Изключете щепсела от захранващата мрежа, преди да извършвате каквито и да било настройки, ремонт или поддръжка и при отпадане на захранващото напрежение.
- Електроинструментът е предназначен за работа в помещения и зони с нормална пожарна опасност съгласно "Наредба №2 "Противопожарни строително-технически норми". Не се допуска използването му във взривоопасна и пожароопасна среда, при температура на околния въздух над 40°C, в особено влажна среда, при наличие на валежи и в химически активна среда. Работното място трябва да е добре осветено.

V - Запознаване с електроинструмента

1. Осигуряващ винт
2. Бързостягащ патронник
3. Място за фиксиране на вретеното
4. Приспособление за окачване
5. Вентилационни отвори
6. Лост за смяна посоката на въртене
7. Електронен регулатор на оборотите
8. Прекъсвач
9. Бутон за застопоряване на прекъсвача

VI - Указания за работа

Този електроинструмент се захранва само с еднофазно променливо напрежение. Може да се присъединява към контакти без защитни клеми, тъй като е с двойна изолация съгласно EN 60745 и IEC 60745. Радиосмуценията съответстват на EN 55014-1, EN 55014-2, EN 61000-3-2, EN 61000-3-3.

Този електроинструмент е предназначен за пробиване на отвори в стомана, дърво, пластмаса и др.

ПРЕДИ ДА ЗАПОЧНЕТЕ РАБОТА

- Проверете дали напрежението на електрическата мрежа отговаря на това, означено върху табелката с технически данни на електроинструмента.
- Проверете в какво положение се намира прекъсвачът. Електроинструментът трябва да се присъединява и отделя от захранващата мрежа само при изключен прекъсвач. Ако поставите щепсела в контакт докато прекъсвачът е във включено положение, електроинструментът веднага ще се задейства, което е предпоставка за злополука.
- Убедете се в изправността на захранващия кабел и щепсел. Ако захранващият кабел е повреден, замяната трябва да се извърши от производителя или от негов сервизен специалист, за да се избегнат опасностите от замяната.
- Проверете дали допълнителната ръкохватка е правилно поставена и надеждно затегната.

ПОСТАВЯНЕ / СВАЛЯНЕ НА СВРЕДЛО И НАКРАЙНИК



ВНИМАНИЕ: Изключвайте електроинструмента и изваждайте щепсела от контакта преди всякаква работа по него.

Задържа се задната корона на патронника и се завърта предната корона докато патронникът се разтвори достатъчно, за да се постави свредлото или накрайникът. След това се затяга с ръка предната корона.

ПУСКАНЕ / СПИРАНЕ

Кратковременно задействане:

- Пускане: Прекъсвач (8) се натиска.
- Спиране: Прекъсвач (8) се отпуска.

Продължителна работа:

- Пускане: Прекъсвач (8) се натиска и в натиснато състояние се застопорява с бутон (9).
- Спиране: Прекъсвач (8) се натиска еднократно и се отпуска веднага.



ВНИМАНИЕ: Преди да поставите щепсела в контакта, винаги проверявайте дали прекъсвачът (8) може да се задейства и след отпускане да се връща в изключено положение.

БЕЗСТЕПЕННО ЕЛЕКТРОННО РЕГУЛИРАНЕ НА ОБОРОТИТЕ

Леко натискане на прекъсвача (8) предизвиква задействане на бормашината на ниски обороти, които плавно се увеличават до максимални с увеличаване на натиска върху прекъсвача до достигане на крайно положение.

ИЗБОР НА ОБОРОТИТЕ

Необходимите обороти се избират чрез завъртане на електронния регулатор (7) по посока на часовниковата стрелка или обратно.

СМЯНА ПОСОКАТА НА ВЪРТЕНЕ

Крайно дясно положение на лоста (6) означава въртене в посока обратна на часовниковата стрелка, а крайно ляво – в посока на часовниковата стрелка.

При натиск на прекъсвача (8) лостът (6) не може да бъде задействан. Смяната на по-

соката на въртене да става само в покой на бормашината.

ОТВИВАНЕ И ЗАВИВАНЕ НА БОЛТОВЕ, ВИНТОВЕ И ГАЙКИ

В патронника (2) се монтира по гореописания начин съответното приспособление за завиване или отвиване на болтове, гайки или винтове. С лоста (6) за смяна посоката на въртене се избира операцията отвиване или завиване. Операциите да се извършват само при ниски обороти.



ВНИМАНИЕ: При завиване на дълги болтове и винтове съществува опасност от изплъзване на бормашината.

ДЕМОНТИРАНЕ НА ПАТРОННИКА

Задържа се задната корона на патронника и се завърта предната корона, докато патронникът се разтвори докрай.

С помощта на отвертка се отвива осигурителният винт с лява резба. В патронника се поставя шестостенен накрайник или приспособлението за завиване на винтове и се затяга. Мястото за фиксиране на вретеното (3) се захваща с гаечен ключ и патронникът се върти в посока, обратна на часовниковата стрелка, чрез свободния край на накрайника.

ПРЕПОРЪКИ ПРИ РАБОТА С БОРМАШИНАТА

Пробивайте с обороти, по ниски от максималните, като подбирате оборотите в зависимост от материала.

Използвайте свредла с цилиндрична опашка. От време на време изваждайте свредлото от отвора, за да се отстрани праха.

Да се следи степента на затъпяване на свредлото и да се сменя, когато се забележи значително намаляване на производителността.

При пробиване на отвор с голям диаметър в метал, дърво или пластмаса, предварително пробийте отвор с по-малко свредло.

ПРИНАДЛЕЖНОСТИ, КОИТО МОГАТ ДА БЪДАТ ИЗПОЛЗВАНИ С ТОЗИ ЕЛЕКТРОИНСТРУМЕНТ

- Свредла за метал с диаметър от Ø0,8 до Ø10 mm.
- Свредла за дърво с диаметър от Ø0,8 до Ø20 mm.
- Накрайници с присъединителен шестостен 6,35 mm (1/4") за завиване на винтове.

VII - Поддръжка



ВНИМАНИЕ: Винаги изключвайте електроинструмента и изваждайте щепсела от контакта преди всякаква проверка или поддръжка.

ПОДМЯНА НА ЧЕТКИТЕ

Когато четките се износят, двете четки трябва да се подменят едновременно с оригинални четки в сервиз на SPARKY за гаранционна и извънгаранционна поддръжка.

ПОЧИСТВАНЕ

За безопасна работа поддържайте винаги чисти машината и вентилационните отвори (5).

При въртящ се електродвигател, продухайте замърсяванията и праха от всички вентилационни отвори със сух сгъстен въздух поне веднъж седмично. По време на тази операция носете предпазни очила. Външните пластмасови части могат да се почистват с навлажнена кърпа и слаб препарат за миене.



ВНИМАНИЕ: Въпреки че външните пластмасови части са устойчиви към разтворители, употребата на разтворители не се допуска!

ВАЖНО! За да се осигури безопасната работа с електроинструмента и неговата надеждност, всички дейности по ремонта, поддръжката и регулирането (включително проверката и подмяната на четките) трябва да се извършват в оторизираните сервизи на SPARKY с използване само на оригинални резервни части.

VIII - Гаранция

Гаранционният срок на електроинструментите SPARKY се определя в гаранционна карта.

Неизправности, появили се в следствие на естествено износване, претоварване или неправилна експлоатация, се изключват от гаранционните задължения.

Неизправности, появили се в следствие на влагане на некачествени материали и/или производствени грешки, се отстраняват без допълнително заплащане чрез замяна или ремонт.

Рекламация на дефектирал електроинструмент SPARKY се признава, когато машината се върне на доставчика или се представи на оторизиран гаранционен сервиз в неразглобено (първоначално) състояние.

Забележки

Внимателно прочетете цялата инструкция за експлоатация преди да използвате това изделие.

Производителят си запазва правото да въвежда подобрения и промени в своите изделия и да променя спецификациите без предупреждение.

Спецификациите могат да се различават за отделните страни.



0605R3



0605R3

Free Manuals Download Website

<http://myh66.com>

<http://usermanuals.us>

<http://www.somanuals.com>

<http://www.4manuals.cc>

<http://www.manual-lib.com>

<http://www.404manual.com>

<http://www.luxmanual.com>

<http://aubethermostatmanual.com>

Golf course search by state

<http://golfingnear.com>

Email search by domain

<http://emailbydomain.com>

Auto manuals search

<http://auto.somanuals.com>

TV manuals search

<http://tv.somanuals.com>