

INSTRUCTION MANUAL

Miniature Weatherproof Color Camera

CVC61HRB(Black)
CVC61HRW(White)




speco technologies[®]

Speco Technologies is constantly developing product improvements.
We reserve the right to modify product design and specifications without notice and without incurring any obligation.

Rev. 6/9/10

Precautions

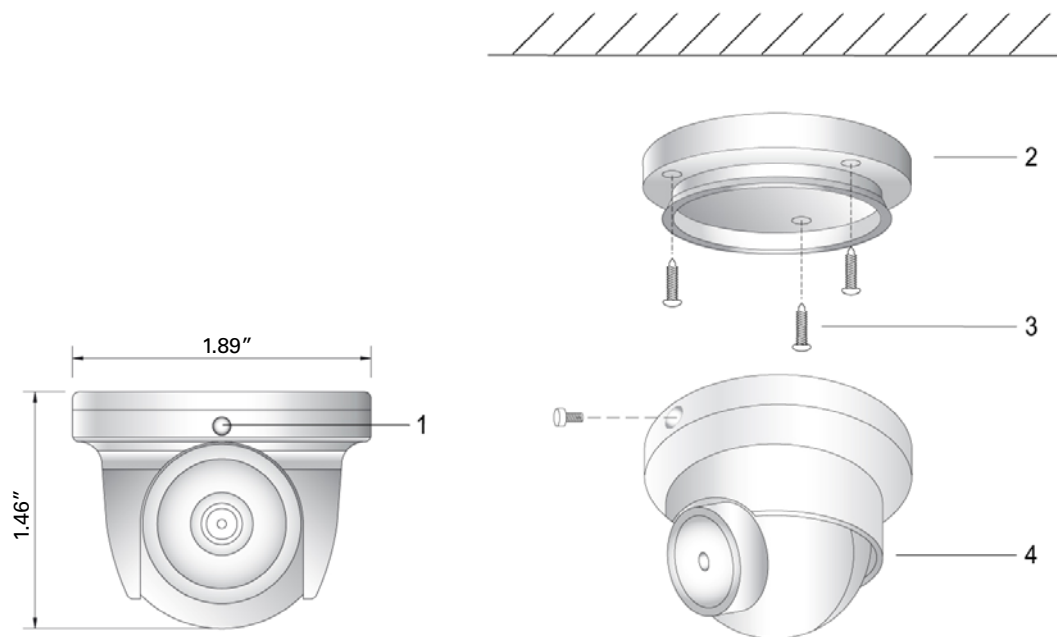
- To avoid electrical shock, do not open the case of this product.
- Only use a regulated DC 12V Power supply to operate this product.
- Do not overload electrical outlets or extension cords. This can result in a fire or electrical shock.
- Keep this product away from strong magnetic fields.
- Do not expose this product in direct sunlight or strong reflected rays.
- Refer servicing to qualified personnel only.
- Do not change or modify this product. This will void the warranty.

Features

- 1/3" Sony Super-HAD™ CCD
- 540 TV Lines Super High Resolution
- Compact Size - Only 48mm In Diameter!
- Vandal Resistant Housing
- Cast Aluminium Construction
- Integrated 3mm Fixed Lens
- Impressive Picture Quality
- Weatherproof (IP66 Rated)
- 12V DC Required

Installation

1. Loosen the two locking screws①, using the supplied hex-head wrench and remove the mounting base.
2. Attach the mounting base② to a suitable solid surface, such as a wall or ceiling. On partitioning locate a wall stud or ceiling joist. Secure the mounting base using the supplied screws③. Fit the camera④ to the mounting base ② and fix in to position using the two locking screws①, secure them with the hex-head wrench.
3. How to set the angle of view:
Loosen the two locking screws①, using the supplied hex-head wrench, and set the desired camera angle by moving the camera right /left and up/down.
4. Connect the video connector (BNC) of the camera cable to the incoming video cable. The other end of the video cable should be connected to a DVR or Monitor. Plug the camera power connector (red DC jack) into the DC12V regulated power supply. Switch on the power supply and the picture will be displayed on a monitor.



Specifications

- | | |
|----------------------------|--|
| • Image Sensor | 1/3" Sony Super-HAD™ CCD |
| • Horizontal Resolution | 540 TV Lines |
| • Sensitivity | 0.1 Lux |
| • Lens | 3mm Fixed Lens |
| • Effective Pixels (H x V) | 768 x 594 |
| • Electronic Shutter Speed | Auto: 1/60 ~ 1/120,000 Seconds |
| • Scanning System | 2:1 Interlace |
| • Synchronization | Internal |
| • Frequency | Horizontal: 15.734KHz / Vertical: 60Hz |
| • Video Output | 1.0Vp-p~75 Ohm |
| • S/N Ratio | >50dB (AGC Off) |
| • Gain Control | Auto |
| • White Balance | Auto |
| • IP Rating | IP66 |
| • Operating Temperature | -14° F ~ +120° F |
| • Power Supply | 12V DC Required |
| • Power Consumption | 120mA Max. |
| • Dimensions | 1.89" W x 1.46" H x 1.89" D |
| • Weight | 0.25 lbs. |

PRODUCT WARRANTIES AND INFORMATION EFFECTIVE JULY 8, 2008

POLICY, TERMS AND CONDITIONS OF SALE

This statement of policy is in lieu of any other policy, expressed or implied, and no representative or person is authorized to assume for us any other liability or policy without our written consent. We cannot be held responsible for typographical errors.

TERMS OF PAYMENT

2%, 10 days, net 30 from invoice date of merchandise for qualified accounts or Visa/MasterCard/Amex net at time of order placement only, other payment discounts do not apply (\$300 credit card minimum). We reserve the right to charge 1-1/2% interest per month on past due balances. New orders will not be shipped while there is a past due balance. We will also ship net C.O.D. or C.I.A.

PRICING POLICY

This price sheet reflects current published price. All prices are subject to change without notice. All items will be billed at current prices.

CREDIT

Companies that have not established credit with our company should allow a sufficient period of time for credit approval. Please be sure to provide complete credit information, bank and trade references, plus financial statements, if available with your first order. To expedite first shipment, a certified or bank check with the order or use of Visa/MasterCard/Amex will avoid delays, while we are checking credit and waiting for bank clearance.

FREIGHT POLICY

All shipments are F.O.B. our New York warehouse. All orders totaling \$2000 or more will be shipped freight allowed to any point in zones 1,2,3,4,5 and 1/2 freight allowed in zones 6,7,8, providing invoice is paid within 30 days from receipt of merchandise, catalogs or exceptions from regular pricing. All UPS and USPS shipments will be insured with insurance fee plus shipping and handling charges added to the invoice.

MINIMUM OPENING ORDER \$1500

We reserve the right to refuse reorders under \$250. **PLEASE REQUEST CONFIRMATION OF ALL FAXED PURCHASE ORDERS.**

WARRANTY

VIDEO	Cameras	5 Years
	Monitors & IR LEDs	1 Year
	DVRs / EZVR Series VDRs	3 Years
	PCPro / PCL Series DVRs	2 Years
AUDIO	Indoor Speakers	Lifetime
	Outdoor/Weatherproof Speakers	5 Years
	Amplifiers	5 Years
	PA Horns, Microphones, Volume Controls	2 Years
	Megaphones, Speaker Distribution Centers and Speaker Selectors	1 Year
	Electrical Equipment Not Listed Above & Balance of Line	90 Days

We warranty all products to be free from any manufacturing or material defects. This warranty will not extend to any products which have been subjected to misuse, neglect, accident, or improper installation, used in violation of instructions furnished by us; or to units which have been repaired or altered outside of the factory. This limited warranty does not apply to broken cases, batteries, or other physically damaged parts. Upon request by the customer, the company will at the customer's expense repackage merchandise in new cartons, replace missing accessories, and return in resalable condition. Unless requested, the company will replace and return all merchandise in the packaging in which it was received. This warranty is in lieu of all expressed warranties, expressed or implied, and of all obligations or liability on our part, and we neither assume nor authorize any representative or other person to assume for us any obligation or liability. In no event shall we be liable for incidental or consequential damages arising from the use of the product, or for any delay in the use of this product do to causes beyond our control. Some states do not allow limitations of how long an implied warranty lasts and/or do not allow the exclusion or limitation of consequential damages. The above limitations on implied warranty and consequential damages may not apply to you. This warranty gives you specific legal rights. You may have other rights which vary from state to state. See actual warranty statement included with product for limitations and exclusions where applicable. This limited warranty extends to products listed in the company's current price schedule.

RETURNS

A written return authorization must be obtained prior to shipment. Label(s) must appear on all packages and return must be ship prepaid. Defective in-warranty products will be returned prepaid. Defective out-of-warranty products will be repaired at a nominal charge for parts and labor and returned with shipping charges added to the invoice. If you require an estimate before repair, please request.

RETURNED GOODS POLICY

1. RETURNS SENT WITHOUT PRIOR APPROVAL WILL NOT BE ACCEPTED. CREDIT WILL BE ISSUED UPON INSPECTION OF RETURNED UNITS.
2. No discounted item may be returned for credit or exchange.
3. An order of \$3.00 for every \$1.00 to be returned must accompany a request for return for stock adjustment.
4. There will be a minimum charge of 15% for handling and repacking where necessary. Merchandise returned for credit or exchange with missing or damaged packaging or accessories will be charged accordingly. Merchandise returned for repair will be shipped back repaired but in the same physical condition as when received by us. If repacking or refurbishing is requested, where possible, you will be charged accordingly.
5. If a credit is issued, current best quantity price or price when purchased, whichever is lower, will prevail.

BACK ORDERS

Products not immediately available for shipment will be back ordered and shipped as soon as available, unless we are advised to cancel back orders. The original order will determine basis of shipment. If the original order is freight allowed, back orders will be freight allowed. If the original order does not qualify for freight allowance, back orders will be shipped freight collect or shipping and handling charges added to the invoice.

PROMOTIONAL MATERIAL

Requests for nominal amounts of catalogs, brochures, promotional sheets, etc. will be supplied at no charge. Requests for bulk quantities of promotional materials will be billed on a cooperative 50-50 basis.

CLAIMS

Claims for shortage must be presented within thirty days of date of invoice. Freight damage claims and freight shortages should be filed directly with the carrier within seven days of receipt of shipment. No liability will be accepted for damages directly or indirectly caused from the use of our products or from any other cause. Our liability shall be limited to the repair and/or replacement of our products, at our option of found to be defective.

NOTE: All units priced and packaged individually unless specified. *Not responsible for printer errors.*

We now accept **Visa/MasterCard/AMEX** at time of order placement. (See terms of Payment & Credit Terms)

For more information contact us at: Speco Technologies 200 New Highway • P.O. Box 726 • Amityville, N.Y. 11701-0726
Tel. 631-957-8700 Outside Metro N.Y. 1-800-645-5516 • Fax 631-957-9142 or 631-957-3880 • Web: www.specotech.com

Free Manuals Download Website

<http://myh66.com>

<http://usermanuals.us>

<http://www.somanuals.com>

<http://www.4manuals.cc>

<http://www.manual-lib.com>

<http://www.404manual.com>

<http://www.luxmanual.com>

<http://aubethermostatmanual.com>

Golf course search by state

<http://golfingnear.com>

Email search by domain

<http://emailbydomain.com>

Auto manuals search

<http://auto.somanuals.com>

TV manuals search

<http://tv.somanuals.com>