

INSTRUCTION MANUAL

Miniature Weatherproof Color Camera

CVC71HRB(Black)
CVC71HRW(White)



Speco Technologies is constantly developing product improvements.
We reserve the right to modify product design and specifications without notice and without incurring any obligation.

Rev. 4/20/2012

Precautions

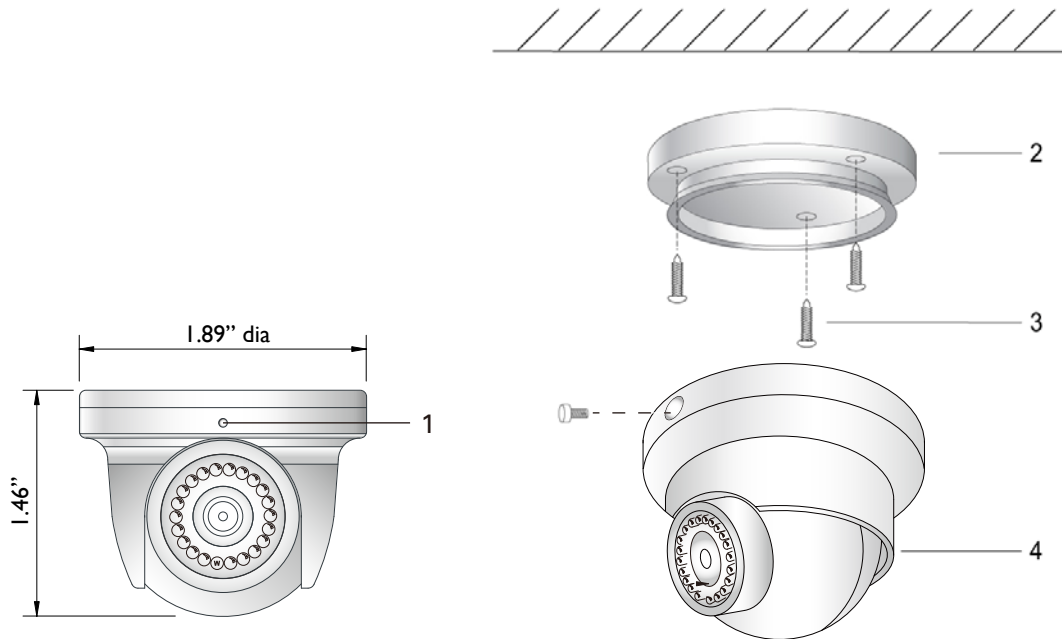
- To avoid electrical shock, do not open the case of this product.
- Only use a regulated DC 12V Power supply to operate this product.
- Do not overload electrical outlets or extension cords. This can result in a fire or electrical shock.
- Keep this product away from strong magnetic fields.
- Do not expose this product in direct sunlight or strong reflected rays.
- Refer servicing to qualified personnel only.
- Do not change or modify this product. This will void the warranty.

Features

- 1/3" Sony Super-HAD™ CCD
- 540 TV Lines Super High Resolution
- Integrated 10pc IR LEDs
- Compact Size - Only 1.89" In Diameter!
- Vandal Resistant Housing
- Cast Aluminium Construction
- Integrated 3.4mm Fixed Lens
- Impressive Picture Quality
- Weatherproof (IP66 Rated)
- 12V DC Required

Installation

1. Loosen the two locking screws①, using the supplied hex-head wrench and remove the mounting base.
2. Attach the mounting base② to a suitable solid surface, such as a wall or ceiling. On partitioning locate a wall stud or ceiling joist. Secure the mounting base using the supplied screws③. Fit the camera④ to the mounting base ② and fix in to position using the two locking screws①, secure them with the hex-head wrench.
3. How to set the angle of view:
Loosen the two locking screws①, using the supplied hex-head wrench, and set the desired camera angle by moving the camera right /left and up/down.
4. Connect the video connector (BNC) of the camera cable to the incoming video cable. The other end of the video cable should be connected to a DVR or Monitor. Plug the camera power connector (red DC jack) into the DC12V regulated power supply. Switch on the power supply and the picture will be displayed on a monitor.



Specifications

- | | |
|----------------------------|--|
| • Image Sensor | 1/3" Sony Super-HAD™ CCD |
| • Horizontal Resolution | 540 TV Lines |
| • Sensitivity | 0.1 Lux(IR LED ON : 0.0002Lux) |
| • LED | Built-In 10 IR LEDs |
| • IR Distance | 5 m |
| • Lens | 3.4mm Fixed Lens |
| • Effective Pixels (H x V) | 768 x 594 |
| • Electronic Shutter Speed | Auto: 1/60 ~ 1/120,000 Seconds |
| • Scanning System | 2:1 Interlace |
| • Synchronization | Internal |
| • Frequency | Horizontal: 15.734KHz / Vertical: 60Hz |
| • Video Output | 1.0Vp-p~75 Ohm |
| • S/N Ratio | >50dB (AGC Off) |
| • Gain Control | Auto |
| • White Balance | Auto |
| • IP Rating | IP66 |
| • Operating Temperature | -4 ~ +140° F |
| • Power Supply | 12V DC Required |
| • Power Consumption | 120mA Max. |
| • Dimensions | 1.89"(Dia) x 1.46"(H) |
| • Weight | 0.25 lbs. |



LIMITED WARRANTY - VIDEO PRODUCTS

THIS WARRANTY IS VALID ONLY ON PRODUCTS PURCHASED AND USED IN THE UNITED STATES OF AMERICA AND CANADA. THIS WARRANTY APPLIES ONLY TO THE ORIGINAL USER.

SUBJECT TO CONDITIONS AND EXCLUSIONS FOUND BELOW, THIS PRODUCT IS WARRANTED AGAINST MANUFACTURING DEFECTS IN MATERIAL AND WORKMANSHIP FOR THE FOLLOWING PERIOD FOR PARTS AND LABOR:

SPECO TECHNOLOGIES CAMERAS..... 5 YEARS	DVRs..... 3 YEARS
SPECO TECHNOLOGIES IP CAMERAS..... 2 YEARS	NVRs 3 YEARS
SPECO PTZ AND VL CAMERAS..... 1 YEAR	BALANCE OF
SPECO TECHNOLOGIES MONITORS..... 1 YEAR	SPECO TECHNOLOGIES LINE..... 1 YEAR
IR LEDS 90 DAYS	

SPECO TECHNOLOGIES WILL REPAIR OR REPLACE (AT OUR DISCRETION) ANY PARTS FOUND TO BE DEFECTIVE FOR THE WARRANTY PERIOD SPECIFIED. WE WILL PROVIDE A REPLACEMENT FOR ANY DEFECTIVE PART.

CONDITIONS

- 1. YOU MUST OBTAIN A RETURN AUTHORIZATION (RA) NUMBER FOR ANY MERCHANDISE BEING RETURNED TO SPECO TECHNOLOGIES, WHETHER FOR RETURN/EXCHANGE OR REPAIR, WHETHER IN OR OUT OF WARRANTY.**
2. THIS WARRANTY WILL BE HONORED ONLY UPON PRESENTATION OF THE ORIGINAL DATED BILL OF SALE OR SALES SLIP.
3. TRANSPORTATION OF THE PRODUCT TO OUR SERVICE DEPARTMENT IS THE RESPONSIBILITY OF THE USER. REPAIRED OR REPLACED PRODUCT WILL BE RETURNED PREPAID DURING THE WARRANTY PERIOD.
4. SPECO TECHNOLOGIES DOES NOT AUTHORIZE ANY INTERNET OR MAIL ORDER PRODUCT SALES. IF A SPECO TECHNOLOGIES PRODUCT IS PURCHASED FROM AN UNAUTHORIZED DISTRIBUTOR OR OTHER SOURCE, INCLUDING RETAILERS, MAIL ORDER SELLERS AND ONLINE SELLERS, IT WILL NOT BE HONORED OR SERVICED UNDER THE EXISTING SPECO TECHNOLOGIES WARRANTY POLICY. ANY SPECO TECHNOLOGIES PRODUCT PURCHASED FROM THESE ONLINE MERCHANTS WILL VOID THE APPLICABLE WARRANTY AND IS INELIGIBLE FOR TECHNICAL SUPPORT. IF YOU HAVE QUESTIONS ABOUT A RESELLER, PLEASE CONTACT SPECO TECHNOLOGIES AT 1-800-645-5516 FOR A LIST OF UNAUTHORIZED DEALERS, VISIT: www.specotech.com/unauthorized.

EXCLUSIONS

1. THIS WARRANTY SHALL NOT COVER ADJUSTMENT OF CUSTOMER OPERATED CONTROLS AS EXPLAINED IN THE APPROPRIATE Model 's INSTRUCTION MANUAL OR PRODUCTS WHICH HAVE BEEN ALTERED, ABUSED, OR HAVE MISSING OR ALTERED SERIAL NUMBERS.
2. THIS WARRANTY SHALL NOT APPLY TO UNCRATING, SETUP, INSTALLATION, OR THE REMOVAL AND REINSTALLATION OF PRODUCTS AFTER REPAIR.
3. THIS WARRANTY SHALL NOT APPLY TO REPAIRS OR REPLACEMENTS NECESSITATED BY ANY CAUSE BEYOND THE RESULT OF MANUFACTURE INCLUDING, BUT NOT LIMITED TO, ANY MALFUNCTION, DEFECTS OR FAILURE CAUSED BY OR RESULTING FROM UNAUTHORIZED SERVICE OR PARTS, IMPROPER MAINTENANCE, MODIFICATION OR REPAIR BY THE USER, ABUSE, MISUSE, NEGLIGENCE, ACCIDENT, FIRE, FLOOD, OR OTHER ACTS OF NATURE, INCORRECT LINE VOLTAGE, DAMAGE OR IMAGE BURNS TO TELEVISION PICTURE TUBES CAUSED BY OR ATTRIBUTABLE TO THE USE OF ANY ACCESSORY, ELECTRONICS GAME OR DEVICE, OR DAMAGE CAUSED TO IMAGE PICKUP DEVICES BY EXCESSIVE LIGHT.

THE FOREGOING IS IN LIEU OF ALL OTHER EXPRESSED WARRANTIES AND WE DO NOT AUTHORIZE ANY PARTY TO ASSUME FOR US ANY OTHER OBLIGATION OR LIABILITY. IN NO EVENT SHALL WE BE LIABLE FOR INCIDENTAL OR CONSEQUENTIAL DAMAGES ARISING FROM THE USE OF THIS PRODUCT, OR FOR ANY DELAY IN THE USE OF THIS PRODUCT DUE TO CAUSES BEYOND OUR CONTROL. SOME STATES DO NOT ALLOW LIMITATIONS OF HOW LONG AN IMPLIED WARRANTY LASTS AND/OR DO NOT ALLOW THE EXCLUSION OR LIMITATION OF CONSEQUENTIAL DAMAGES. THE ABOVE LIMITATIONS ON IMPLIED WARRANTY AND CONSEQUENTIAL DAMAGES MAY NOT APPLY TO YOU.

THIS WARRANTY GIVES YOU SPECIFIC LEGAL RIGHTS. YOU MAY HAVE OTHER RIGHTS WHICH VARY FROM STATE TO STATE.

NOTE: FOR YOUR PROTECTION IN THE EVENT OF THEFT OR LOSS OF THIS PRODUCT, PLEASE FILL IN THE INFORMATION REQUESTED BELOW AND RETAIN WITH YOUR SALES RECEIPT.

MODEL NO.: _____ SERIAL NO.: _____
(LOCATED ON BACK OR BOTTOM OF UNIT)

DATE OF PURCHASE: _____

WHERE PURCHASED: _____ PURCHASE PRICE: _____

Speco Technologies 200 New Highway Amityville, NY 11701 www.specotech.com	FOR MORE INFORMATION REGARDING SERVICE OR RETURN, CALL US TOLL FREE: 1-800-645-5516 IN METRO NY: 631-957-8700
---	---

ALWAYS USE DISCRETION WHEN INSTALLING VIDEO AND/OR AUDIO SURVEILLANCE EQUIPMENT ESPECIALLY WHEN THERE IS AN EXPECTATION OF PRIVACY. INQUIRE REGARDING FEDERAL, STATE AND/OR LOCAL REGULATIONS APPLICABLE TO THE LAWFUL INSTALLATION OF VIDEO AND/OR AUDIO RECORDING OR SURVEILLANCE EQUIPMENT. PARTY CONSENT MAY BE REQUIRED.

Free Manuals Download Website

<http://myh66.com>

<http://usermanuals.us>

<http://www.somanuals.com>

<http://www.4manuals.cc>

<http://www.manual-lib.com>

<http://www.404manual.com>

<http://www.luxmanual.com>

<http://aubethermostatmanual.com>

Golf course search by state

<http://golfingnear.com>

Email search by domain

<http://emailbydomain.com>

Auto manuals search

<http://auto.somanuals.com>

TV manuals search

<http://tv.somanuals.com>