



**VL-12 Series Weatherproof
IR Color Camera with Extreme
Adjustability – Wall & Ceiling Mount**



200 New Highway, Amityville, NY 11701
1-800-645-5516 FAX:631-957-9142
www.specotech.com

CONTENTS

CONTENTS..... 2
SAFETY PRECAUTIONS..... 3
FEATURES..... 4
 CDS 4
 AWB 4
 IR LENS 4
 Mount..... 5
 Sunshade..... 5
 Power and Video Output Jack..... 5
INSTALLATION..... 6
SPECIFICATIONS 7
DIMENSIONS..... 8

SAFETY PRECAUTIONS

Please read before using



The lightning flash with arrowhead symbol, within an equilateral triangle, is intended to alert the user to the presence of insulated dangerous Voltage within the product's enclosure that may be sufficient magnitude to constitute risk of electrical shock to persons.



The exclamation point within an equilateral triangle is intended to alert the user to the presence of important operation and maintenance (servicing) instructions in the literature accompanying the appliance.

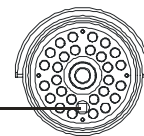
1. Please read the service manual before using.
2. Do not disassemble the camera-no user serviceable parts inside
3. The product is IP-66 rated.
4. Do not attempt to service the unit yourself unless you are authorized to do so. Opening cover may expose you to dangerous voltage or other hazards. Refer all servicing to qualified personnel only.
5. Turn off the power before cleaning the camera body; use only a clean damp cloth. Do not use any soap or cleaners.

FEATURES

AWB: The camera includes auto white balance mode and auto capture color temperature. The range is 2400k-9400K

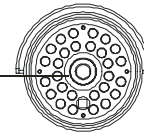
CDS : The IR LED only activates when needed.
Illumination is 4 LUX±2LUX (LED on) / 8LUX±2LUX(LED off).

CDS SENSOR



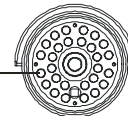
LENS : Super sensitivity BOARD LENS for optimum low light pictures..

LENS



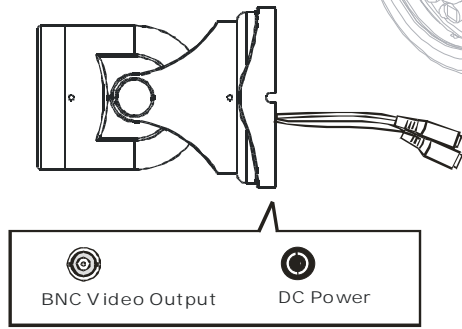
IR LED: Super power LED IR light, wavelength is 840nm for maximum illumination.

IR LEDS



Power and video connections :

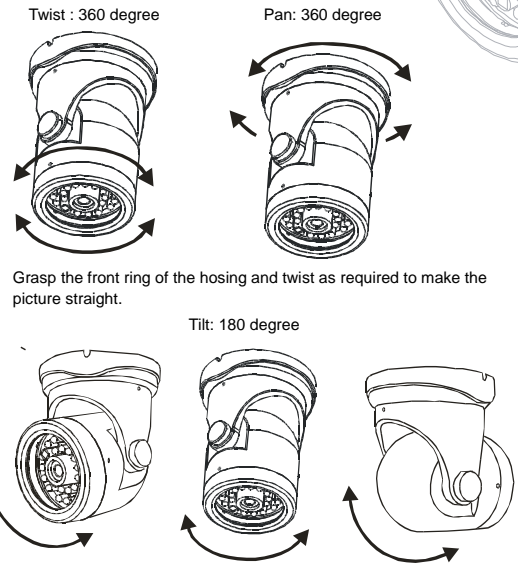
Power: Regulated 12 Volts DC, center pin is positive (+)
Video: BNC, 1 Volt p-p



5

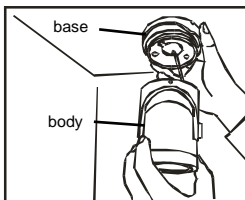
Pan-Tilt-Twist (P-T-T) : Adjustable Manual X-Y-Z position

Pan: 360 degree
Tilt : 150 degree
Twist : 360 degree turning (one turn only)

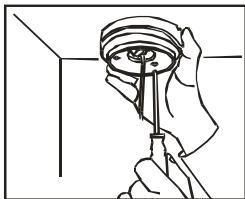


6

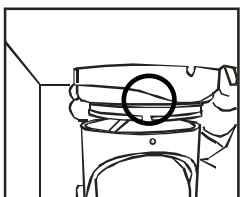
INSTALLATION



Step 1
Loosen the set screw and
remove the base

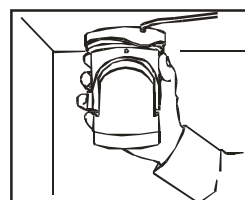


Step 2
Attach the base to the wall or
ceiling.

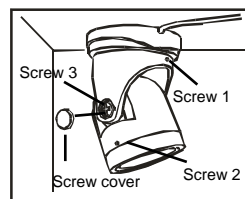


Step 3
Line up the set screw on the
body to the slot on the base.

7



Step 4
Attach the body to the base



Step 5
Adjust the angle then tighten
screw 1, 2 & 3.

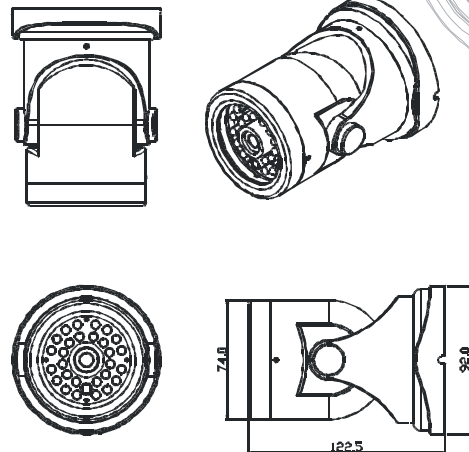
8

SPECIFICATIONS

Model	VL-12	VL-12/4
Pick Up Device	1/3" Interline transfer CCD	
Resolution	420TV Lines	
Lens	6.0mm board lens	4.0mm board lens
Total Pixels	NTSC:537(H) x 505(V)	
Sync system	2 : 1 Internal	
Scanning system	525 line / 30 frames	
Video Output	Composite 1.0 Vp-p / 75 ohms	
Auto White Balance	2400°K-9400°K	
Backlight / Flicker / Mirror	Built-in	
Minimum Illumination	0.5 lux color / 0 lux with IR on	
IR Radiant Distance	40 feet (28pcs IR LED)	
IR Trigger	4 lux / 8 lux IR ON/OFF	
X-Y-Z Position	Adjustable manual P-T-T (Pan-Tilt-Twist)	
S/N Ratio	50dB (AGC off)	
Electronic Shutter	Auto 1/60sec. to 1/100,000dec. NTSC	
Gamma Correct	0.45	
Horizontal Frequency	15.734KHz	
Vertical Frequency	59.94Hz	
Backlight Compensation	Built-in (Option Jumper ON / OFF)	
Operating Temp	-14 to 122	
Power Supply	Regulated 12V DC power supply required-model PSW-5	
Consumption Current	Max. 300mA	
Weight	One Pound	
Dimensions	2.8" dia x 3.7"H	

9

DIMENSIONS



10

Free Manuals Download Website

<http://myh66.com>

<http://usermanuals.us>

<http://www.somanuals.com>

<http://www.4manuals.cc>

<http://www.manual-lib.com>

<http://www.404manual.com>

<http://www.luxmanual.com>

<http://aubethermostatmanual.com>

Golf course search by state

<http://golfingnear.com>

Email search by domain

<http://emailbydomain.com>

Auto manuals search

<http://auto.somanuals.com>

TV manuals search

<http://tv.somanuals.com>