

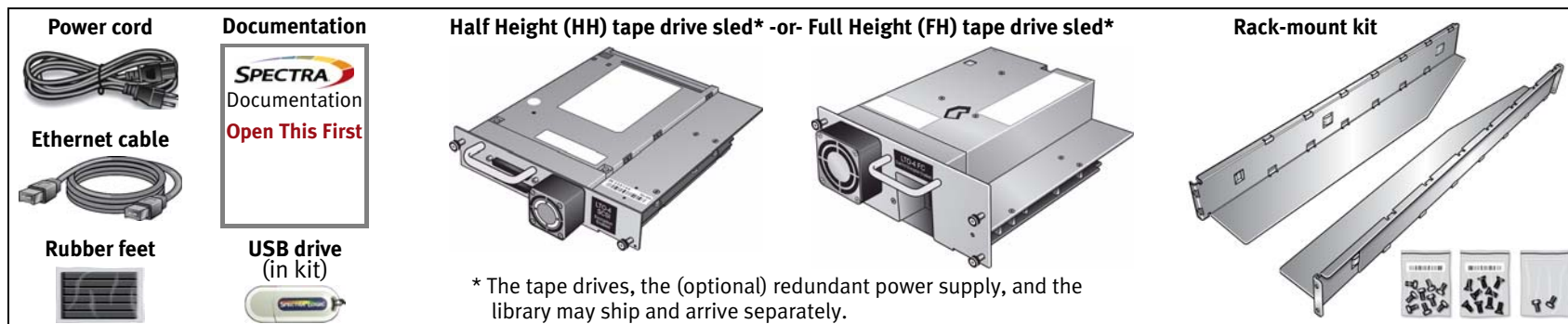


SPECTRA T50e QUICK START GUIDE



1

Unpack and Verify the Components



Install the Library

Rack-mount Installation Refer to the *Spectra T50e Rack-mount Kit Installation Instructions* supplied in the *Spectra T50e Documentation Kit*.

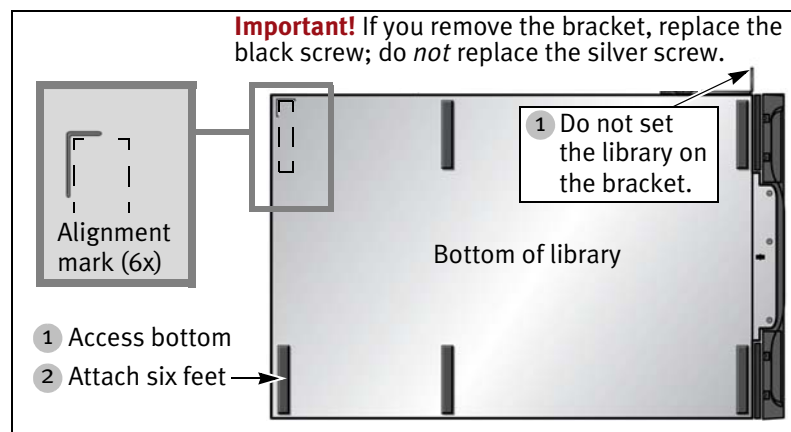
Tabletop Installation You do not need to remove the brackets.

Warning! The library weighs approximately 34.4 lb. Two people are needed to move or lift the library.
German: Die Bibliothek hat ein Gewicht von ungefähr 15,6 kg. Zwei Personen sind notwendig, zu verschieben oder Aufhebung der Bibliothek.

Important! Lift the library *only by the two sides*—not by the front and back. Do not stack items on top of the library, as they can restrict robot movement.

- Carefully place the library on its side, but do not damage the bracket.
- Remove the paper backing from the six feet and install as shown.
- Place the library on a level surface in a well ventilated location.

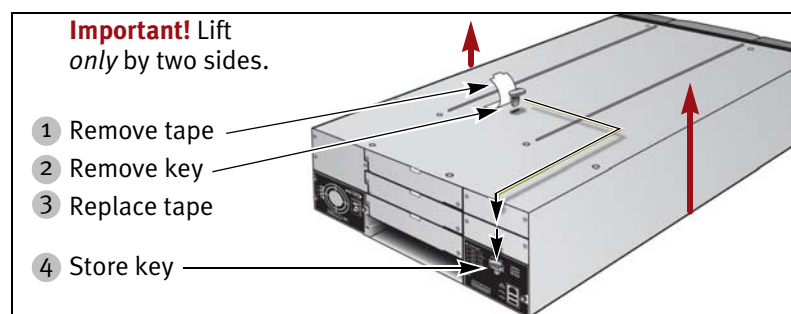
Note: Do not install the feet if you are rack-mounting the library.



Remove the Shipping Key

Shipping Key Removal Follow these steps to remove the shipping key:

- Remove the tape securing the shipping key.
- Pull the key straight up and out of the library.
- Place the tape back over the opening in the top of the library.
- Store the key in the tab at the back of the library.



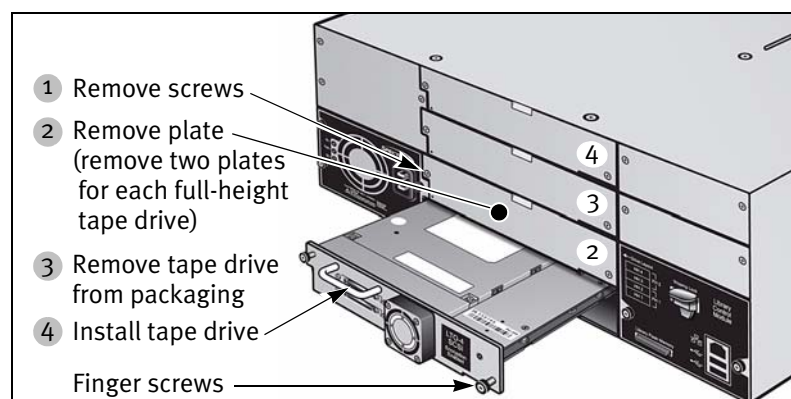
2

Install the Tape Drives

Tape Drive Installation Install the tape drives from bottom to top.

- Using a #2 Phillips screwdriver, remove the screws securing the cover plate (or plates), as needed. **Important!** Do not leave openings uncovered.
- Remove the plate and store it and the screws for future use.
- Remove the tape drive from its protective packaging.
- While supporting the bottom of the drive sled, slide it into the empty drive bay. Push the drive sled in until it fits flush against the chassis and tighten the finger screws.

Note: Refer to the *Spectra T50e Tape Drive Installation Instructions* for additional information.

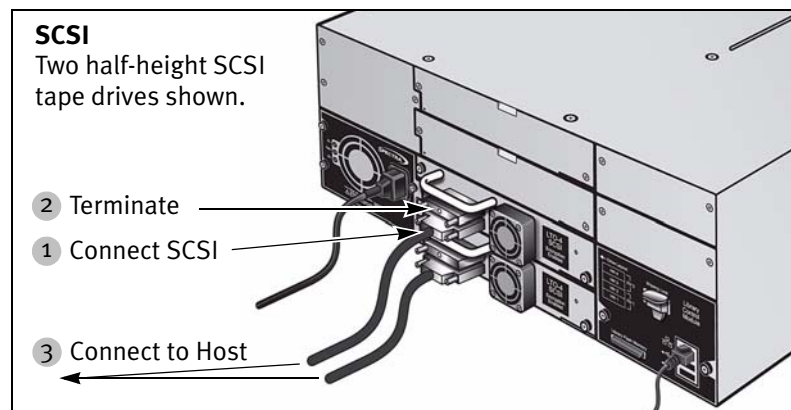


Connect the Cables

SCSI Follow these steps to connect SCSI tape drives.

Important! Do not mix full-height and half-height tape drives in the library. Do not daisy-chain LTO-4 SCSI tape drives.

- Connect SCSI cables to the tape drives, as shown.
- Terminate as follows:
 - LTO-3—terminate if it is the last device on the SCSI bus. Every connector on an LTO-3 tape drive must either be connected to a host, connected to the next tape drive, or terminated. A maximum of two LTO-3 SCSI tape drives can be daisy-chained on a single SCSI bus.
 - LTO-4—terminate the second connector on every tape drive. Do not daisy-chain LTO-4 tape drives.
- Connect the other end of the cable to the host computer.



Fibre Channel Follow these steps to connect FC tape drives.

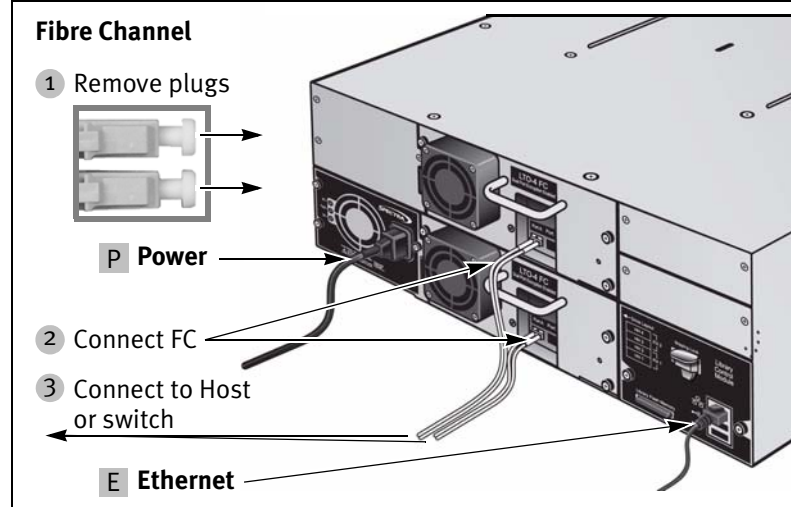
- Remove the protective plugs from the optical connector.
- Insert one end of the cable into the tape drive (either port).
- Connect the other end of the cable into the HBA or switch.

Note: See the *Spectra T50e Library User Guide* for information about dual-port tape drives.

Power Connect the power cord to the library and to an outlet.

Note: If you purchased an optional redundant power supply, refer to the *Spectra T50e Power Supply Installation Instructions* for information about installing it in the library.

Ethernet If you want to use the Ethernet option (remote management or email notification), connect the Ethernet cable to the library and to the host.



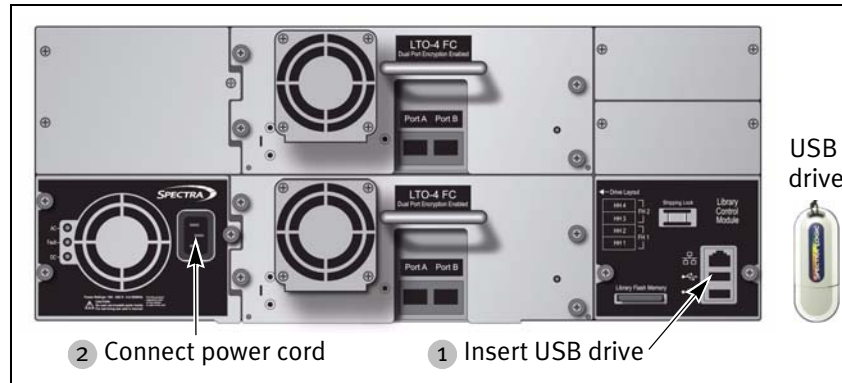
3

Perform the AutoInstall

AutoInstall (Firmware and Option Keys)


The USB drive that came in your Document Kit (see *Unpack and Verify the Components* on page 1) contains the library's firmware as well as the option keys that you purchased. Follow these steps to load the firmware and keys.

1. Insert the USB drive in the USB port at the back of the library.
2. Plug the power cord in if it is not already connected.
3. Press the front panel power button for two to three seconds.
4. Wait while the library performs its power-on sequence, which typically takes six to nine minutes.



During the AutoInstall process, the library upgrades the firmware from the USB drive, reboots itself, and automatically installs the option keys during the remainder of the power-on sequence.

Important! Do not remove the USB drive until after the Login screen appears, but do not leave the USB drive in the library after the installation.

 Stylus—used to navigate in screens.



4

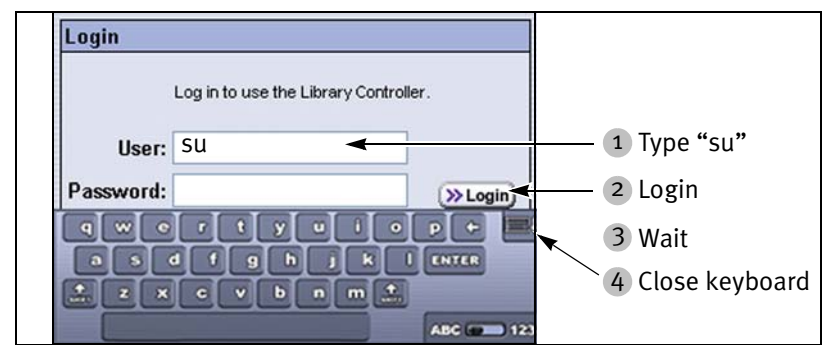
Log In

BlueScale User Interface Log In

After the power-on sequence completes, the login screen displays.

1. Using the stylus, touch (to select) the **User** box and type **su**.
2. Leave the password field blank, and select **Login**.
3. Wait for the initialization process to complete.
4. Close the keyboard by selecting its icon with the stylus.

Note: If you are prompted to calibrate the touch screen, follow the instructions on the screen. You must use the stylus for the calibration procedure to complete successfully.



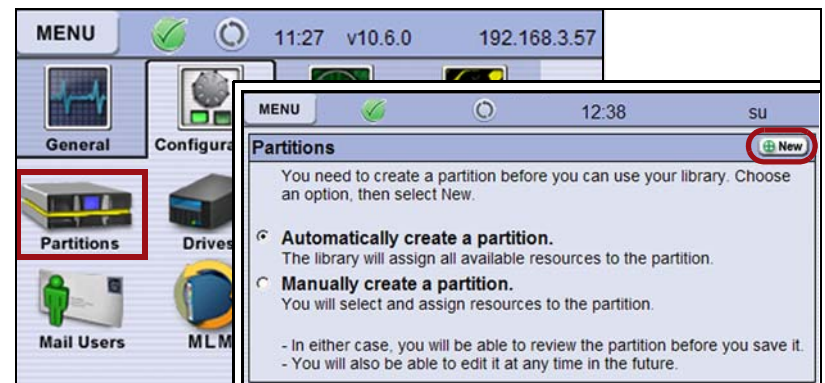
5

Create a Partition

Partition Creation Follow these steps to allow the library to automatically create a partition.

1. Using the stylus, select **Menu** → **Configuration** → **Partitions** → **Automatically create a partition** → **New**.
2. Use the wizard to create the partition, and then choose one option:
 - Save Library Configuration to USB (recommended)
 - Save Library Configuration to *autosupport@spectralogic.com* (recommended)
 - Don't Save Library Configuration (not recommended)
3. Select **Next** and **Save**.

To manually create partitions, see the *Spectra T50e Library User Guide* for instructions.

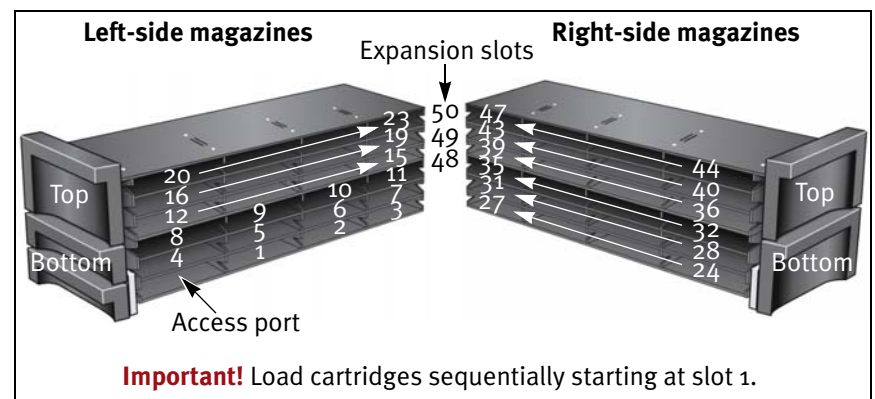
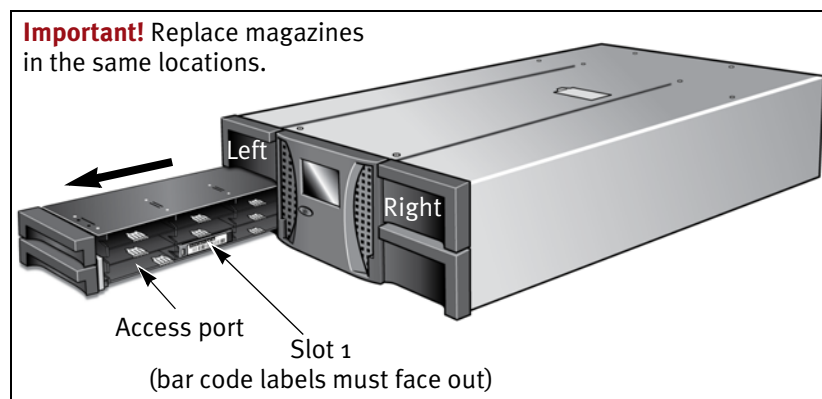


6

Load Cartridges

Cartridge Loading If you have only one partition enabled, use Bulk Load for the initial setup. Refer to the *Spectra T50e Library User Guide* if you have more than one partition.

1. Using the stylus, select **Menu** → **General** → **Import/Export** → **Bulk Load**. Both left-side magazines release.
2. Remove the bottom left magazine and set it on a stable surface. **CAUTION!** Be careful while handling fully-loaded magazines as they are heavy!
3. Load the cartridges sequentially starting at slot 1 and continue with the top left-side magazine, if needed. Reinsert the left-side magazine(s) and continue with the right-side magazines, if needed. See the *Spectra T50e Library User Guide* for information about the expansion slots (slots 48 through 50).
4. Gently push each magazine into the library until it is fully seated and press **Stop Importing**. The library inventories the cartridges.



7

Reboot System and Perform a Backup

Host System Reboot Follow these steps:

1. Ensure that your SCSI HBA BIOS has LUN support enabled.
 2. Reboot your host system, if needed.
 3. Install your backup application, if it is not already installed.
 4. Configure the application to work with the Spectra T50e library.
- Go to www.spectralogic.com/downloads to download device drivers for the library.

Initial Backup Create a test backup job.

Refer to the documentation that came with your backup application for instructions.

Spectra Logic Technical Support

If you need assistance, contact us using one of these options.

Option	US, Canada/Outside Europe	Europe, Middle East, and Africa
Email:	support@spectralogic.com	support@spectralogic.com
Web:	www.spectralogic.com/support	www.spectralogic.com/support
Phone:	1.800.227.4637 1.303.449.0160	44 (0) 870.112.2185

Note: Reference the *Spectra T50e Library User Guide* for comprehensive instructions on how to operate your new library. Access the manual either on the Product CD or at www.spectralogic.com/documents.

Free Manuals Download Website

<http://myh66.com>

<http://usermanuals.us>

<http://www.somanuals.com>

<http://www.4manuals.cc>

<http://www.manual-lib.com>

<http://www.404manual.com>

<http://www.luxmanual.com>

<http://aubethermostatmanual.com>

Golf course search by state

<http://golfingnear.com>

Email search by domain

<http://emailbydomain.com>

Auto manuals search

<http://auto.somanuals.com>

TV manuals search

<http://tv.somanuals.com>