

AIR HOGS[®]

R/C RADIO CONTROL



AIR HOGS[®]
RC SKY PATROL[™] HELICOPTER
INSTRUCTION MANUAL



SKY PATROL™

The AIR HOGS® RADIO-CONTROLLED SKY PATROL™ HELICOPTER flies to heights of over 50 feet! Featuring proportional control, it's easy to pilot your chopper in the air. Just hit the throttle... the harder you press it, the higher your chopper will go! To land, ease off on the throttle. To stop the rotor, press the brake. Learning to fly a radio-controlled helicopter is a lot of fun and following these basic instructions will help you to become a much better pilot.

PLEASE READ THESE INSTRUCTIONS BEFORE FLYING!



IMPORTANT

Problems? PLEASE DO NOT TAKE YOUR AIR HOGS® RC SKY PATROL™ HELICOPTER BACK TO THE STORE! Call our friendly flight technicians at:

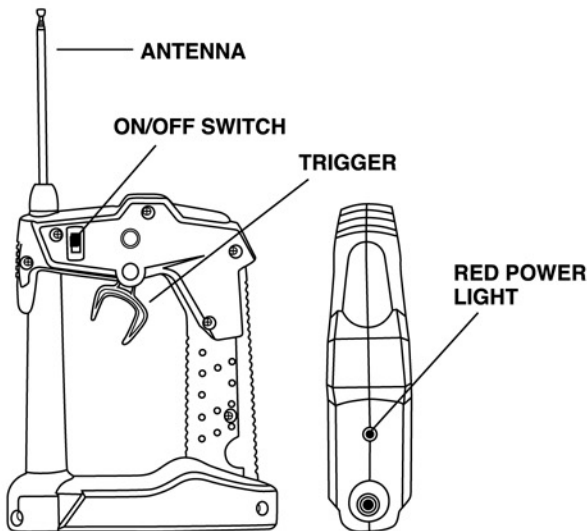
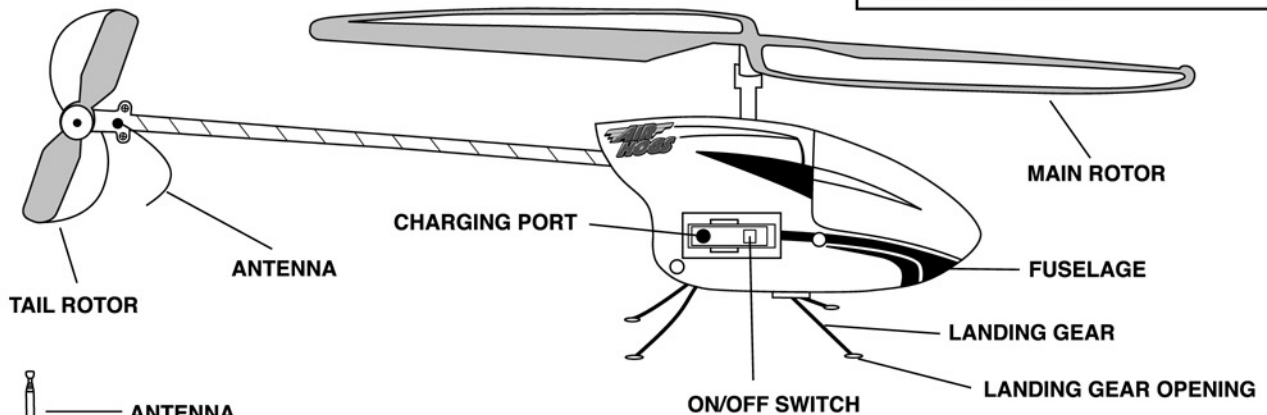
1-800-622-8339

GETTING TO KNOW YOUR AIR HOGS® RC SKY PATROL™ HELICOPTER

Check to make sure contents are complete:

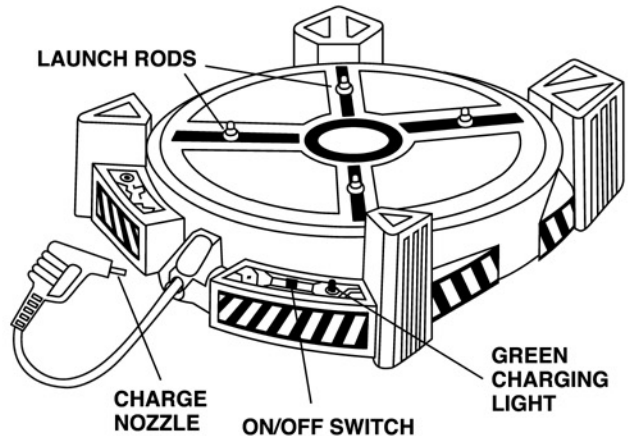
- 1 Air Hogs® RC Sky Patrol™ Helicopter
- 1 Launch Pad Charging Station
- 1 Controller
- 1 Learn-to-Fly Video

HELICOPTER



CONTROLLER **CONTROLLER
TOP VIEW**

CHARGER



The Air Hogs® Sky Patrol™ packaging box and foam tray should be kept and reused for proper storage of the helicopter. Return the helicopter to the foam tray after each use.

WARNING: Improper storage of the helicopter may result in the rotor(s) becoming bent and/or warped. This will result in decreased flight performance.

INSTALLING THE BATTERIES:

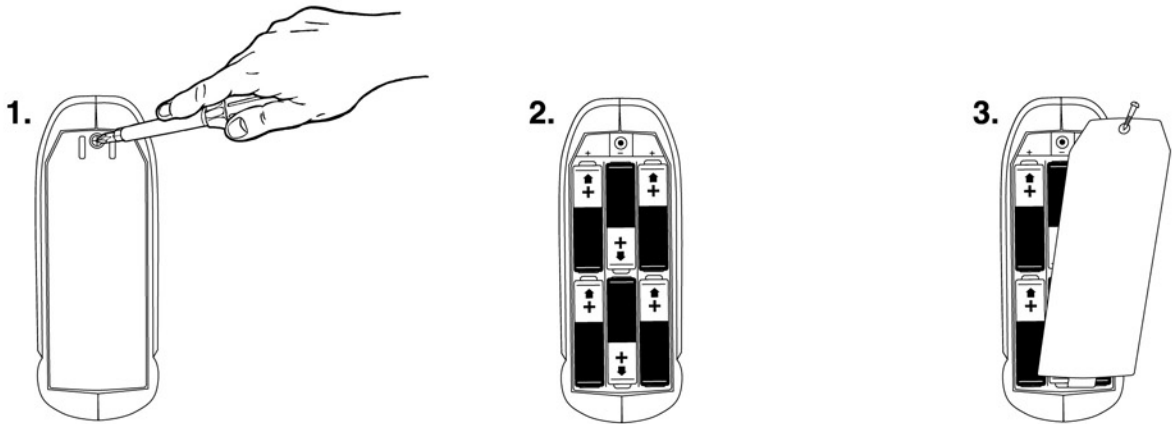
A Installing the Controller's Batteries

Requires: 6AA alkaline batteries

1. Use a Philips screwdriver to unscrew the battery door.
2. Install **ALL** 6AA alkaline batteries, ensuring that the positive (+) and negative (-) battery

ends are aligned with the "+" and "-" markings inside the battery compartment, as shown.

3. Return the battery door by inserting the battery door tab into the slot and tighten the screw.



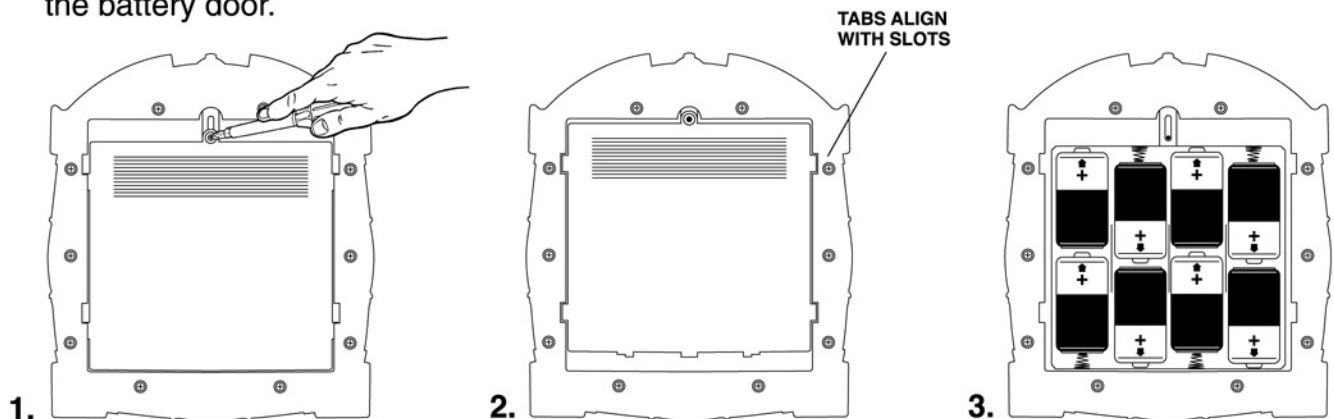
B Installing the Launch Pad Charging Station Batteries:

Requires: 8D alkaline batteries

1. Use a Philips screwdriver to unscrew the battery door.
2. Slide the battery door until the tabs align with the slots and you can remove the battery door.

3. Install **ALL** 8D alkaline batteries, ensuring that the positive (+) and negative (-) battery ends are aligned with the "+" and "-" markings inside the battery compartment, as shown.

4. Return the battery door and tighten the screw.



IMPORTANT

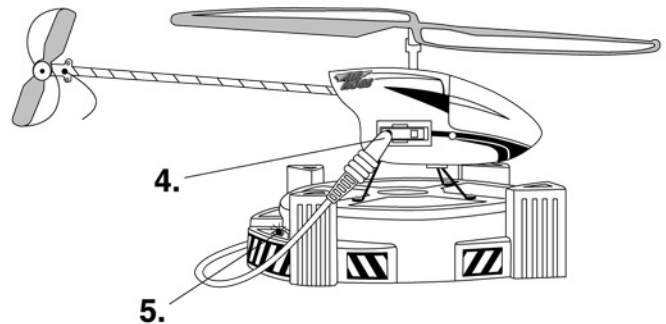
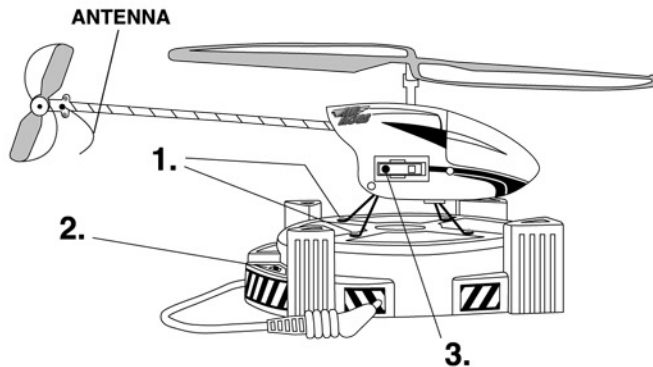
Replace the 8D alkaline batteries in the charger after every 20-25 flights for best flight results.

Your Air Hogs® RC Sky Patrol™ Helicopter comes complete with rechargeable batteries that are pre-installed inside the helicopter. You will need to fully charge your helicopter before you can fly.

IMPORTANT: FOR THE FIRST FLIGHT OF THE DAY, CHARGE YOUR HELICOPTER TWICE BEFORE FLYING. FOR SUBSEQUENT FLIGHTS ON THE SAME DAY, CHARGE ONLY ONCE. NEVER DOUBLE-CHARGE YOUR HELICOPTER AFTER THE FIRST FLIGHT!

1. Sit helicopter onto the launch pad charger. The helicopter's 4 landing gear opening's should be hooked over each of the 4 launch rods on the charger.
2. Ensure that the helicopter's ON/OFF switch is set to the OFF position. If the helicopter is not OFF, you will not be able to insert the charge nozzle for charging.
3. Insert the charge nozzle **ALL THE WAY** into the helicopter's circular charge port.
4. Move charger's ON/OFF switch to the ON position. The green charging light will begin to blink telling you that charging is occurring. It will take approximately 3 minutes to fully charge your helicopter.
5. When the helicopter is fully charged, the green light will stop blinking and turn to solid green. Your helicopter is now fully charged and you are ready to fly.

IMPORTANT: If the green light does not blink, the charge nozzle may not be **ALL THE WAY** inside the helicopter's charge port. Push the charge nozzle firmly into the charge port.



PRE-FLIGHT WEATHER & LOCATION CHECK:

1. FLY ON A WARM AND SUNNY DAY, WITH NO WIND.

A. DO NOT FLY IN EXTREME TEMPERATURES.

Do not fly in temperatures above 113°F/45°C, or below 50°F/10°C. Flying in extreme heat and/or cold will affect performance and may damage the toy.

B. DO NOT FLY ON WINDY DAYS.

Windy conditions will limit, and may prevent, your ability to control the helicopter. In very windy conditions, your helicopter may become lost and/or damaged.

C. DO NOT FLY IN POOR WEATHER CONDITIONS. Do not fly in electrical storms, rain, sleet, snow or other adverse weather conditions.

2. SELECT A LARGE, WIDE-OPEN, GRASSY AREA FOR FLYING.

A. MAKE SURE THE LOCATION IS CLEAR BEFORE FLYING. Do not fly near other people, animals, trees, buildings, overhead wires, and/or other obstructions.

1. Screw the controller's antenna into place and fully extend it.
2. Turn the controller switch to ON. The red power light will light up.
3. Set all 4 of the helicopter's landing gear openings onto the 4 launch rods on the charger.
4. Turn the helicopter's power to ON.
5. **STAND BACK – ensure that you are at least 15 feet away from the helicopter before launching!**
6. Recheck the area to make sure it is clear of other people, animals, trees, buildings, overhead wires, and other obstructions. If the area is clear, you are ready for takeoff.

FLYING YOUR HELICOPTER:

CONTROL RANGE: The control range of the Air Hogs® RC Sky Patrol™ Helicopter is 300 feet (100m). **WARNING:** Do not fly on windy days. Wind may overpower your helicopter and cause it to fly out of range. When the helicopter is out of range, you will not be able to control it.

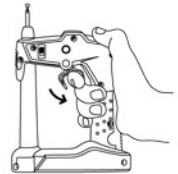
FLIGHT TIME: On a full charge, and in low wind (0-5MPH) conditions, the Air Hogs® RC Sky Patrol™ Helicopter will fly for 30 seconds-2 minutes. If your flight is less than 30 seconds-2 minutes, you may need to change the 8D alkaline batteries in the charger. Then, recharge and try again.

SAFETY FEATURE: INTERNAL TEMPERATURE SENSOR

The Air Hogs® Sky Patrol™ is equipped with a built-in temperature sensor. If the internal temperature of the helicopter becomes too hot, the sensor will begin to AUTOMATICALLY shut down the helicopter by slowing down the rotor speed. If this happens, your helicopter will appear to be landing. The temperature gauge is installed to prevent battery overheating and helps to ensure a long lifespan for the helicopter.

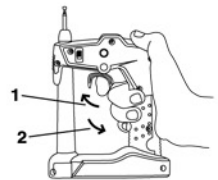
LET THE HELICOPTER COOL DOWN FOR A MINIMUM OF 10 MINUTES AFTER EVERY 4-5 FLIGHTS!

TO LAUNCH AND FLY HIGHER: Pull the trigger inwards. The Air Hogs® RC Sky Patrol™ Helicopter has proportional control. The harder you pull the trigger, the higher the helicopter will fly.



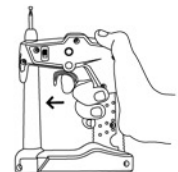
WARNING: THE HELICOPTER MAY BANK AT HIGH ALTITUDES. This is normal. Ease off on the trigger to steady the helicopter's flight.

TO CHANGE DIRECTION: Ease off on the trigger slightly. The helicopter's tail rotor will then rotate the helicopter. When the helicopter is pointing the way you want to go, pull hard again on the trigger.

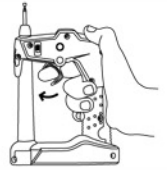


IMPORTANT: IT IS NOT POSSIBLE TO ACCURATELY PRE-SELECT A LEFT OR RIGHT TURN. The action of easing off on the trigger and then pulling the trigger to full speed again, will only allow you to manipulate the area that your helicopter flies in. It will not give you the ability to turn your helicopter left or right with accuracy.

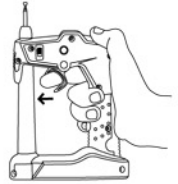
TO LAND: Select a soft grassy area. Harsh landing surfaces may damage the helicopter. To land, ease off on the trigger SLOWLY. Do not ease off too fast, or your helicopter may come down faster than anticipated and may become damaged.



TO STOP THE ROTOR FROM SPINNING: Push the trigger all the way outwards to brake. You will need to continue to push the brake, or the rotor will start spinning again.



TO RETRIEVE THE HELICOPTER: Once the helicopter has landed, push outwards on the controller trigger and hold it in the full brake position while you walk to the helicopter. This will ensure the helicopter's rotor has stopped spinning. Continue to hold the trigger in the full brake position, until you have reached the helicopter and successfully turned the helicopter's ON/OFF switch to the OFF position. You can now pick up the helicopter.



TURN OFF THE HELICOPTER, CHARGER, AND CONTROLLER AFTER USE TO PROLONG BATTERY LIFE.

TROUBLESHOOTING GUIDE:

PROBLEM	CAUSE	SOLUTION
No power to controller OR charger.	1. Power switch is set to OFF. 2. Batteries are installed with incorrect polarities. 3. Batteries are drained.	1. Set switch to ON. 2. Check to make sure that the positive (+) and negative (-) battery polarities are properly aligned with the "+" and "-" markings inside the battery compartment. 3. Install NEW batteries.
Cannot insert charge nozzle into the helicopter.	1. Helicopter ON/OFF switch is set to ON.	1. Move the helicopter's switch to OFF to reveal the circular charging port.
Green charge light is not blinking.	1. Charge nozzle is not inserted ALL THE WAY into the helicopter. 2. Charger ON/OFF switch is set to OFF.	1. Insert the charge nozzle into the helicopter and push firmly to ensure it is all the way inside. 2. Set charger ON/OFF switch to ON.
No Control.	1. Controller is NOT on. 2. Controller's antenna is not screwed into place and/or is not fully extended. 3. IT IS A WINDY DAY.	1. Set controller switch to ON. 2. Ensure that the long, silver antenna is screwed into the controller and fully extended. 3. Do NOT fly in wind. Flying in wind will limit, and in some cases prevent, your ability to control the helicopter.
Helicopter is NOT flying high enough.	1. Rotor speed is too slow. 2. Helicopter is not fully charged. 3. Batteries in charger are drained.	1. Pull the trigger hard to make the helicopter go higher. 2. Fully charge your helicopter. (See "CHARGING YOUR HELICOPTER") 3. Install 8 NEW D-size alkaline batteries into the charger. The charger's batteries need to be replaced after every 20-25 flights.
Helicopter banks/dives at high altitudes.	1. The wind at high altitudes may cause the helicopter to bank. This is normal.	1. Ease off on the trigger to steady the helicopter's flight.
No Left/Right Turn.	1. It is not possible to turn this toy accurately left or right. There is no left/right toggle.	1. See "TO CHANGE DIRECTION" section.
Helicopter lands too quickly.	1. You are easing off on the trigger too quickly.	1. Ease off on the trigger SLOWLY for gentle landings. A gradual landing.
Cannot stop rotor from spinning.	1. Controller's trigger is NOT in the full brake position.	1. Push the trigger ALL THE WAY OUTWARDS to stop the rotor from spinning. You must HOLD the trigger in the full brake position, or the rotor will start to spin again.

REQUIRED BATTERIES:

Helicopter takes Rechargeable Batteries (**Included**).
 Controller takes 6AA Alkaline Batteries (**Not Included**).
 Charger takes 8D Alkaline Batteries (**Not Included**).

Contains NiMH battery pack. Battery pack must be recycled or disposed of properly.

**IMPORTANT BATTERY INFORMATION:**

Battery installation should be performed by an adult. Use only batteries recommended on this package and in the instruction sheet. Be careful to install the batteries with the correct polarity, as indicated.

- Do not mix old and new batteries.
- Do not mix alkaline, standard, rechargeable batteries, or different types of batteries.
- Battery installation should be done by an adult.
- Non-rechargeable batteries are not to be recharged.
- Rechargeable batteries are to be removed from the toy before being charged (if removable).
- Rechargeable batteries are only to be charged under adult supervision (if removable).
- Only batteries of the same or equivalent type as recommended are to be used.
- Batteries are to be inserted with the correct polarity.
- Exhausted batteries are to be removed from the toy.
- The supply terminals are not to be short-circuited.

Exhausted batteries are to be removed, as they will adversely affect the performance.

CAUTION: Helicopter contains rechargeable batteries. If fluid leaks from helicopter, avoid contact with eyes and dispose of helicopter.

**ONLY USE CHARGER SUPPLIED WITH THE AIR HOGS® RC SKY PATROL™ HELICOPTER.
 DO NOT USE ANY OTHER SOURCE TO CHARGE THE AIR HOGS® RC SKY PATROL™ HELICOPTER.**

FCC REQUIREMENT

1. This device complies with part 95 of the FCC Rules. Operation is subject to the following two conditions:
 - This device may not cause harmful interference.
 - This device must accept any interference received, including interference that may cause undesired operation.
2. Do not attempt to repair or modify this equipment. Changes or modifications not expressly approved by the party responsible for its compliance could void the user's authority to operate the equipment.

IMPORTANT SAFETY INFORMATION

Keep helicopter clear from face, eyes, and hair at all times. Keep fingers away from the moving rotor(s). Do not launch helicopter near other people or animals. Use caution; make sure people around you know that you are playing with AIR HOGS®. Recommended for use in large, wide-open, grassy areas. Do not fly near overhead wires, buildings, trees, or other obstructions. Be sure to fly on a clear and sunny day. Do not fly in WIND. Flying in wind will severely diminish your ability to control the helicopter. In some situations, where the wind is very strong, the wind may overpower the helicopter and you will not be able to control it. Do not fly in adverse weather conditions such as electrical storms, rain, sleet or snow. Do not fly in temperatures below 50°F/10°C. Do not fly in temperatures above 113°F/45°C. For charging, use ONLY the charger included in this package. Do not use any other source to charge AIR HOGS®. Do not overcharge your helicopter. Follow the charging instructions provided in the instruction manual contained within this package. Always launch helicopter from the launch pad. Do not hand launch the helicopter. Stand at least 15 feet away from the helicopter when launching. Always turn the helicopter power to ON before turning the controller power ON. Do not press the controller's trigger while the helicopter power is being switched from OFF to ON. Once the controller's trigger is pressed, the helicopter's rotor(s) will immediately begin to spin. Always ensure that the launch area is clear of people and animals before pressing the controller's trigger. Do not push the BRAKE on the controller all the way forward unless you wish to stop the helicopter's rotor(s) from spinning completely. If you push the brake all the way forward during flight, the rotor(s) will stop spinning. This will cause the helicopter to fall from the sky and likely become damaged. Only apply the brake fully after landing, or in case of emergency, to stop the rotor(s) from spinning.

**IMPORTANT**

Problems? PLEASE DO NOT TAKE YOUR AIR HOGS® RC SKY PATROL™ HELICOPTER BACK TO THE STORE! Call our friendly flight technicians at:

1-800-622-8339**WARNING!**

IF ROTOR(S) BECOME DAMAGED OR BROKEN, DO NOT FLY. FLYING WITH BROKEN ROTOR(S) MAY CAUSE DAMAGE OR LEAD TO INJURY.

IMPORTANT: READ CAREFULLY BEFORE FLYING.



SKY PATROL™

1 KEEP THIS PACKAGE FOR STORAGE!

The foam tray and packaging box should be used for proper storage of the helicopter. If the helicopter is stored improperly, the rotor may become bent/warped and the helicopter's performance will decrease.

2 DO NOT FLY ON WINDY DAYS!

High winds can overpower your helicopter and make control difficult. In very high winds, you may experience NO VISIBLE CONTROL over the helicopter. A wind speed of 0-5MPH is recommended.

3 CHARGE TIME is approximately 3 minutes. **FLIGHT TIME** in low wind conditions (0-5MPH) is 30 seconds – 2 minutes.

4 BEFORE YOUR FIRST FLIGHT OF THE DAY, CHARGE 2 TIMES. CHARGE ONLY 1 TIME BETWEEN FLIGHTS.

5 DO NOT CAUSE THE HELICOPTER TO DROP QUICKLY.

Do not release the accelerator too quickly.

Do not press and hold the brake while the helicopter is flying. Doing either of these things may cause the helicopter to drop too quickly to the ground and become damaged.

6 THE HELICOPTER MAY BANK AT HIGH ALTITUDES.

This is normal. Ease off on the trigger to steady the helicopter's flight.

7 LET THE HELICOPTER COOL DOWN BETWEEN FLIGHTS

for a minimum 10 minutes after every 4-5 flights! Your Air Hogs® Sky Patrol™ RC Helicopter has a built in temperature gauge. If the internal temperature of the helicopter becomes too hot, the helicopter will automatically slow the rotor's speed. This will cause the helicopter to land. This is a safety feature to ensure a long lifespan for the helicopter.

8 DO NOT FLY THE HELICOPTER IF THE ROTOR BECOMES DAMAGED.

If the helicopter's rotor becomes damaged, discontinue use immediately.

REFER TO INSTRUCTION MANUAL BEFORE FLYING!

Free Manuals Download Website

<http://myh66.com>

<http://usermanuals.us>

<http://www.somanuals.com>

<http://www.4manuals.cc>

<http://www.manual-lib.com>

<http://www.404manual.com>

<http://www.luxmanual.com>

<http://aubethermostatmanual.com>

Golf course search by state

<http://golfingnear.com>

Email search by domain

<http://emailbydomain.com>

Auto manuals search

<http://auto.somanuals.com>

TV manuals search

<http://tv.somanuals.com>