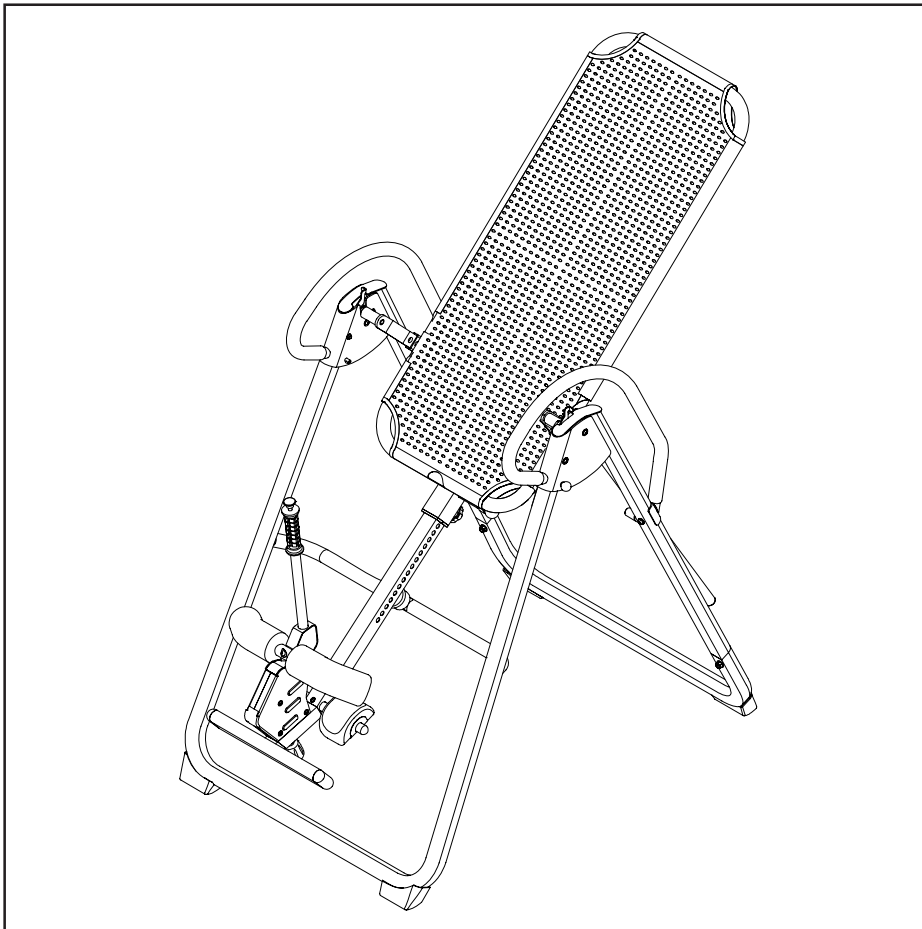


STAMINA[®]

ELITE INVERSION SYSTEM

Owner's Manual



! WARNING !

Exercise can present a health risk. Consult a physician before beginning any exercise program with this equipment. If you feel faint or dizzy, immediately discontinue use of this equipment. Serious bodily injury can occur if this equipment is not assembled and used correctly. Serious bodily injury can also occur if all instructions are not followed. Keep others and pets away from equipment when in use. Always make sure all bolts and nuts are tightened prior to each use. Follow all safety instructions in this manual.

When calling for parts or service, please specify the following number.

55-1537C

STAMINA PRODUCTS
MADE IN CHINA

Product May Vary Slightly
From Pictured.

CAUTION: 1. Weight on this product should not exceed 300 lbs.
2. Class H equipment: This equipment is for home use only. It is not for commercial use.

This Product is Produced Exclusively by



2040 N. Alliance, Springfield, MO 65803

Customer Service Number

1 (800) 375-7520

www.staminaproducts.com

TABLE OF CONTENTS

	Page		Page
Safety Instructions	2	Maintenance Instructions	15
Before You Begin	4	Product Parts Drawing	16
Hardware Identification Chart	5	Parts List	17
Assembly Instructions	6	Warranty	19
Operational Instructions	11	Notes	20
Storage	15	Fax/Mail Ordering Form	22

SAFETY INSTRUCTIONS

WARNING: To reduce the risk of serious injury, read the following safety instructions before using the **Elite Inversion System**.

1. Read all warnings posted on the **Elite Inversion System**.
2. The **Elite Inversion System** should only be used after a thorough review of the Owner's Manual.
3. We recommend that two people be available for assembly of this product.
4. Do not use the **Elite Inversion System** alone. Always have a helper available in case assistance is needed in recovering from the decline position.
5. Make sure that the Pivot Arms are assembled using the same hole on both Pivot Arms. Pay close attention to Steps 3 and 4 on page 7.
6. Make sure that the Pivot Arms are always secured to the pegs on the Main Frame with the Quick Releases.
7. Make sure that the Pad Tubes are assembled with the ends pointed down as directed in STEP 9 on page 9. The ends must be pointed downward to properly secure the users feet in place during inversion. Improper assembly will allow the users feet to come loose allowing the user to fall from the inversion table.
8. Do not use the **Elite Inversion System** until you have verified your height setting. Failure to use the proper height setting can result in difficulty recovering from the decline position. See **HEIGHT ADJUSTMENT** instructions on page 11.
9. Always make sure that your feet are properly secured in the heel Holder mechanism when using the **Elite Inversion System**.
10. Insert the Ball Pins in the lowest adjustment holes in the Angle Adjustment Tubes to restrict the movement of the inversion bed to the least amount of inversion angle. Use this setting until you have verified your height setting and become familiar with the **Elite Inversion System**.
11. Both Pivot Arms must always be adjusted to the same hole.
12. You must understand how to recover from the fully inverted position before using the fully inverted position. Read the **RECOVERY FROM LOCKED POSITION** section at the bottom of page 14 **BEFORE** using the fully inverted position.
13. Always insert the Ball Pins into the same adjustment hole on both sides of the **Elite Inversion System**.
14. Do not allow children to use or play on the **Elite Inversion System**.
15. Keep small children and pets away from the **Elite Inversion System** at all times.
16. The **Elite Inversion System** should not be used by persons weighing more than 300 lbs.
17. The **Elite Inversion System** should not be used by persons over 6 feet 6 inches tall.
18. It is recommended that you place this exercise equipment on an equipment mat.
19. Use the **Elite Inversion System** only on a level surface.
20. Wear appropriate clothing when exercising; do not wear loose clothing that could become caught in the **Elite Inversion System**.
21. Be sure that there is enough room for the bed to rotate completely.
22. Use the **Elite Inversion System** only as described in the manual.
23. The safety level of the **Elite Inversion System** can be maintained only if it is examined regularly for damage and wear.
24. This equipment is for home use only. It is not for commercial use.

WARNING: Before using this equipment you should consult with your personal physician to see if inversion equipment is appropriate for you. **Do not use this equipment without your physician's approval.** Do not use this equipment if you have any of the following conditions or ailments:

- **Extreme obesity**
- **Glaucoma, retinal detachment or conjunctivitis**
- **Pregnancy**
- **Spinal injury, Cerebral Sclerosis, or acutely swollen joints**
- **Middle ear infection**
- **High blood pressure, Hypertension, Recent stroke or Transient ischemic attack**
- **Heart or circulatory disorders for which you are being treated**
- **Hiatus hernia or Ventral hernia**
- **Bone weaknesses including Osteoporosis, Unhealed fractures, Medullary pins, or Surgically implanted orthopedic supports.**
- **Use of anti-coagulants including Aspirin in high doses.**

CALL US FIRST



CUSTOMER SERVICE NUMBER
1 (800) 375-7520

**THANK YOU FOR PURCHASING THE
Elite Inversion System**

To help you get started, we have pre-assembled most of your Elite Inversion System at the factory with the exception of those parts left unassembled for shipping purposes. Simply follow the few assembly instructions set forth in this manual. Within a few minutes you will be getting your body into shape and on your way to achieving a happier and healthier lifestyle.

Should you have any questions,
please call our Customer Service Department toll-free number,
1 (800) 375-7520
Monday - Friday, 8:00 A.M. - 5:00 P.M., Central Time.

BEFORE YOU BEGIN

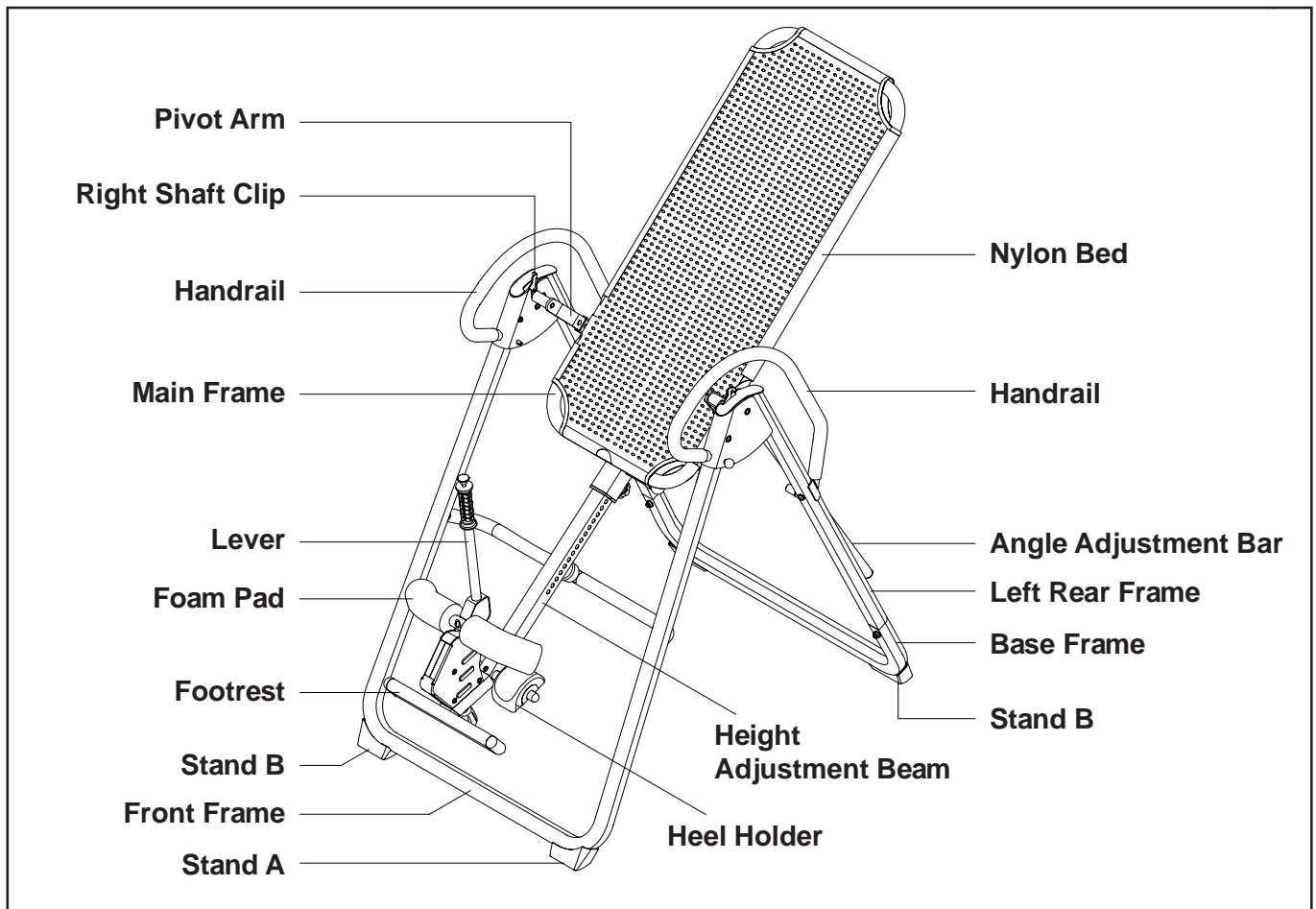
Thank you for choosing the **Elite Inversion System**. We take great pride in producing this quality product and hope it will provide many hours of quality exercise to make you feel better, look better and enjoy life to its fullest.

Yes, it's a proven fact that a regular exercise program can improve your physical and mental health. Too often, our busy lifestyles limit our time and opportunity to exercise. The **Elite Inversion System** provides a convenient and simple method to begin your assault on getting your body in shape and achieving a happier and healthier lifestyle.

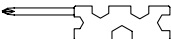


Before reading further, please review the drawing below and familiarize yourself with the parts that are labeled.

Read this manual carefully before using the **Elite Inversion System**.

Although Stamina tries to manufacture its products with the finest materials and uses the highest standards of manufacturing, occasionally a part that does not fit, is the incorrect size, or is otherwise inappropriate is found. Even with the highest inspection and quality controls in place these things will happen occasionally. Please do not return the product. For your convenience, Stamina has a Customer Service Department with a toll-free number. If a part is missing, does not fit, is the incorrect size, or is otherwise inappropriate, please call 1 (800) 375-7520 (in the U.S.) between 8:00 A.M. and 5:00 P.M. Central Time, Monday through Friday. Our operators will be able to assist you with your problem and the parts will be mailed directly to your house.

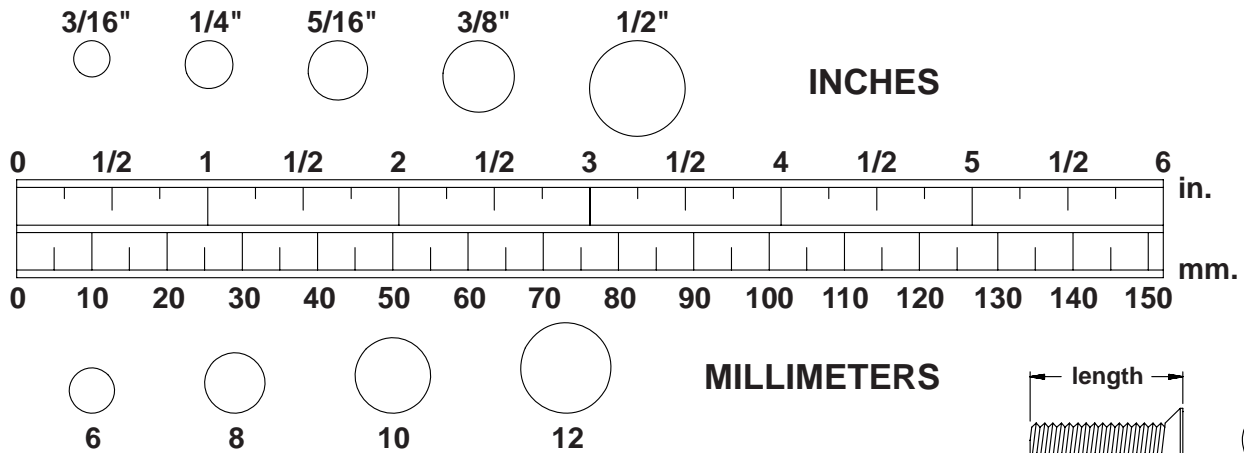


THE FOLLOWING TOOLS ARE INCLUDED FOR ASSEMBLY :

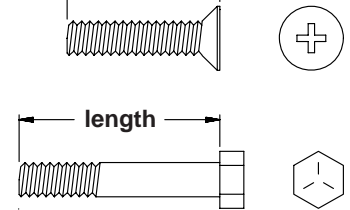
-  Combination Wrench
-  Allen Wrench (4mm)
-  Allen Wrench (6mm)

HARDWARE IDENTIFICATION CHART

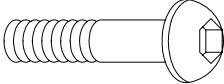
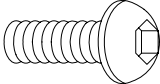
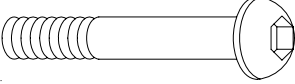

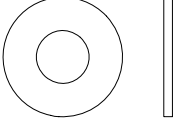

This chart is provided to help identify the hardware used in the assembly process. Place the washers, the end of the bolts, or screws on the circles to check for the correct diameter. Use the small scale to check the length of the bolts and screws.



NOTICE: The length of all bolts and screws except those with flat heads is measured from below the head to the end of the bolt or screw. Flat head bolts and screws are measured from the top of the head to the end of the bolt or screw.



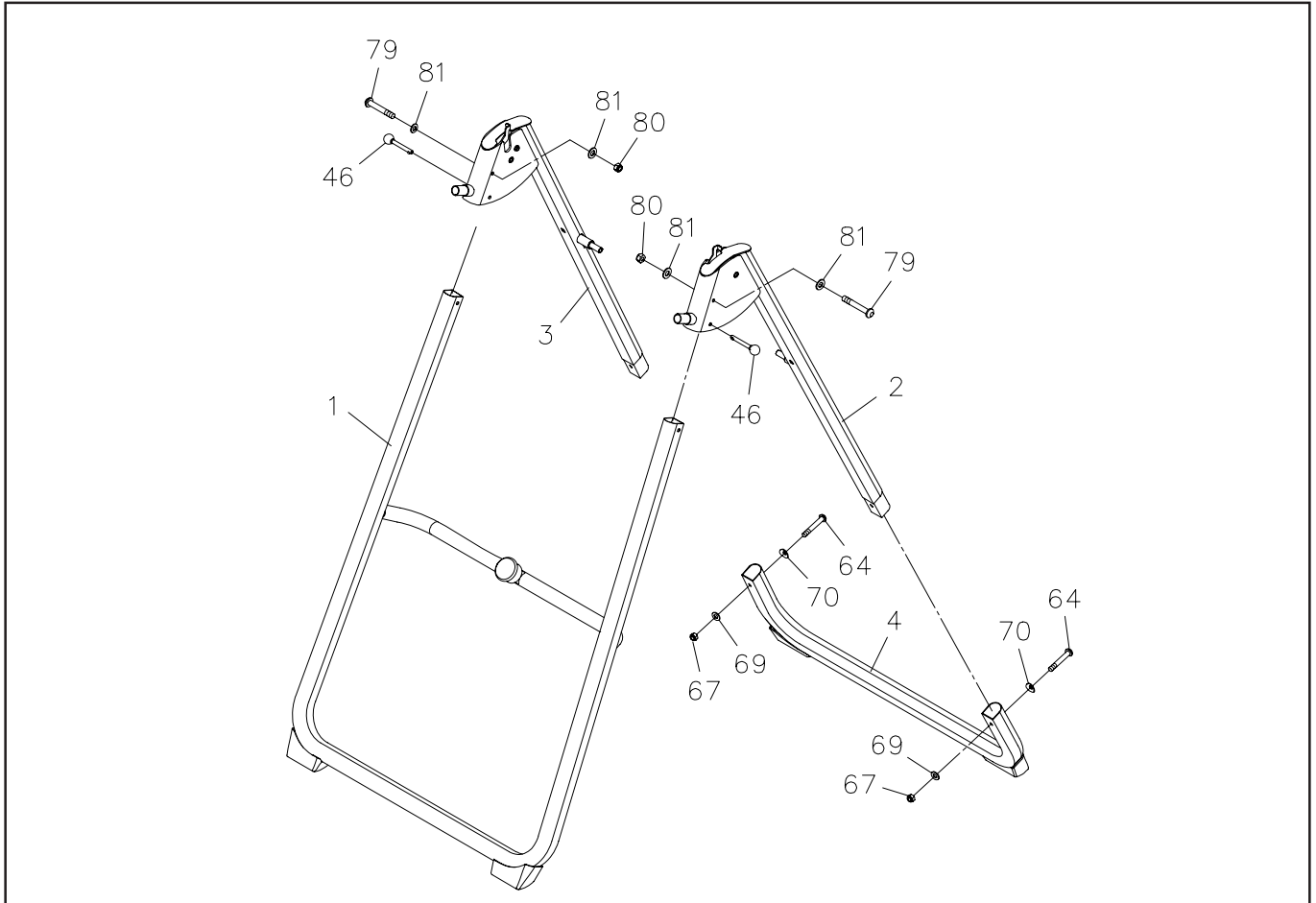
After unpacking the unit, open the hardware bag and make sure that you have all the following items. Some hardware may be already attached to the part.

	Part No. and Description	Qty
	59 Bolt, Button Head (M6 x 1 x 35mm)	1
	60 Bolt, Button Head (M6 x 1 x 47mm)	1
	62 Bolt, Button Head (M8 x 1.25 x 15mm)	4
	63 Bolt, Button Head (M8 x 1.25 x 50mm)	2
	64 Bolt, Button Head (M8 x 1.25 x 55mm)	2
	79 Bolt, Button Head (M10 x 1.5 x 60mm)	2
	66 Nylock Nut (M6 x 1)	1
	67 Nylock Nut (M8 x 1.25)	2
	80 Nylock Nut (M10 x 1.5)	2
	68 Washer (M6 x ϕ 16 x 1.5mm Thick)	2
	69 Washer (M8)	8
	81 Washer (M10)	4
	70 Arc Washer (M8)	2
	71 Arc Washer (M6)	1

ASSEMBLY INSTRUCTIONS

Place all parts from the box in a cleared area and position them on the floor in front of you. Remove all packing materials from your area and place them back into the box. Do not dispose of the packing materials until assembly is completed. Read each step carefully before beginning. If you are missing a part please call our toll-free number for assistance **1 (800) 375-7520** or e-mail us at:

parts@staminaproducts.com



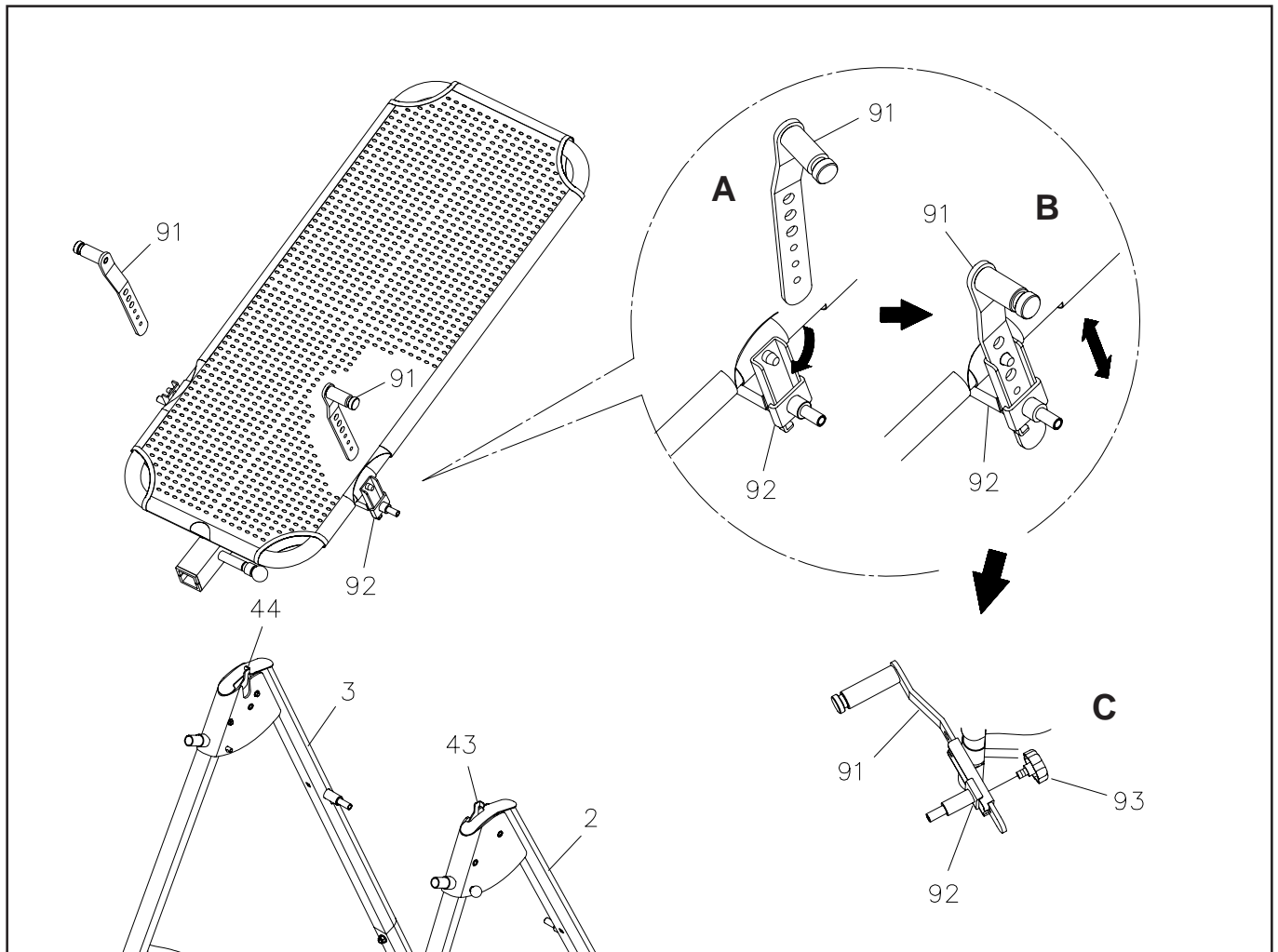
STEP 1

Insert the **LEFT** and **RIGHT REAR FRAMES(2, 3)** into the **BASE FRAME(4)** and secure with **BOLTS(M8 x 55mm)(64)**, **ARC WASHERS(M8)(70)**, **WASHERS(M8)(69)**, and **NYLOCK NUTS(M8)(67)**.

STEP 2

Slide the upper ends of the **FRONT FRAME(1)** into the Brackets on the **LEFT** and **RIGHT REAR FRAMES(2, 3)** and secure with **BOLTS(M10 x 60mm)(79)**, **WASHERS(M10)(81)**, and **NYLOCK NUTS(M10)(80)**. Lock the **FRONT FRAME(1)** in the unfolded position with the **LONG BALL PINS(46)**.

ASSEMBLY INSTRUCTIONS



STEP 3

Slide the bottom of the two **PIVOT ARMS(91)** into the brackets located at each side of the **MAIN FRAME (92)**. Align the desired hole on the arm with the peg on the bracket, then insert the peg into the hole to lock the **PIVOT ARMS(91)** in position. **Secure the PIVOT ARMS(91) with the SECURING KNOBS (3/8"-16 x 1/2")(93) on the inner side of the brackets.**

PIVOT ARM ADJUSTMENT:

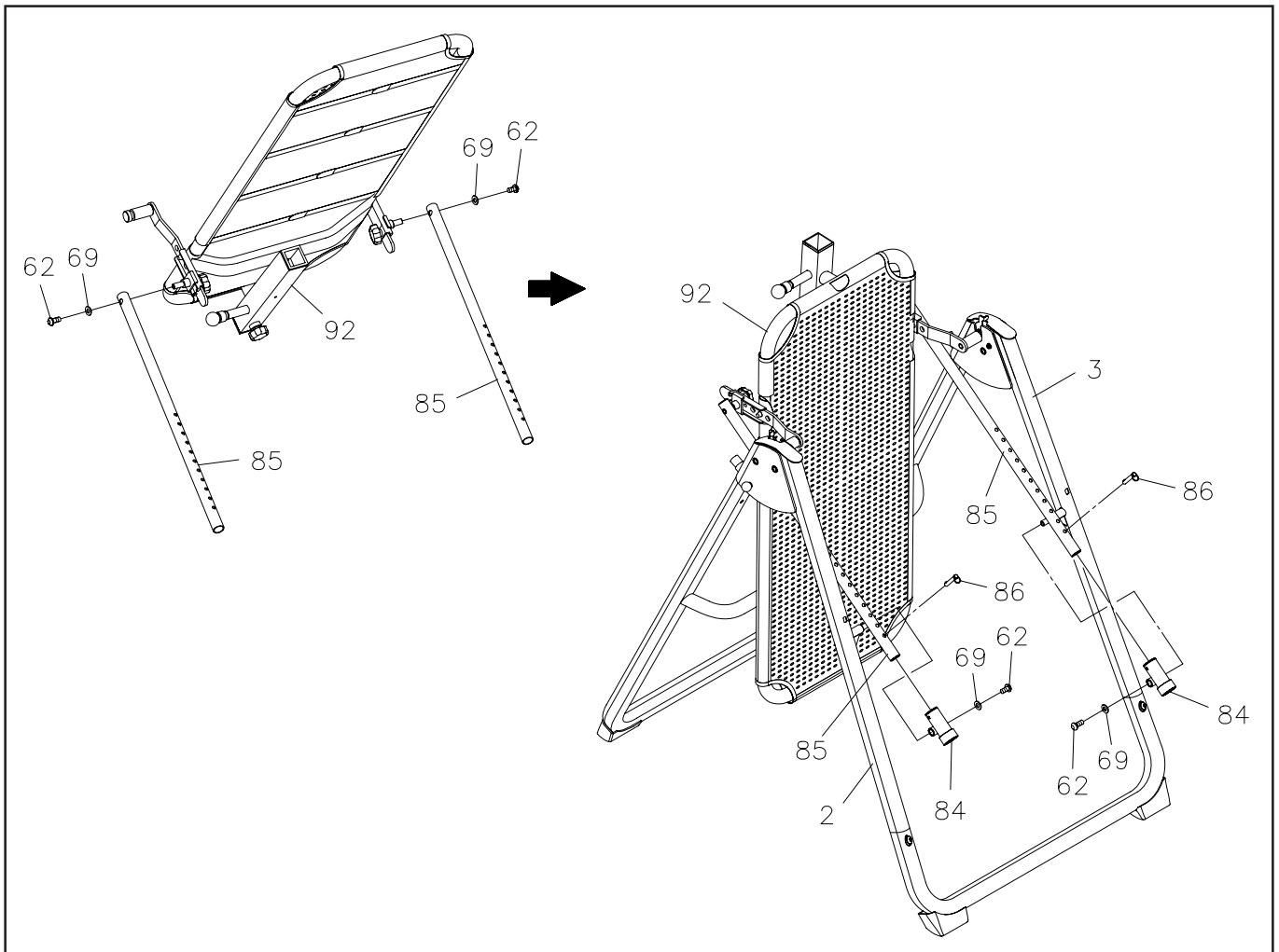
There are three adjustment holes on the **PIVOT ARMS(91)** allowing you to position the **MAIN FRAME(92)** at three different heights. The lowest hole will allow the least amount of inversion angle. The top hole will allow the greatest amount of inversion angle.

CAUTION: 1. Use the lowest holes in the **PIVOT ARMS(91)** until you become familiar with the **Elite Inversion System**
2. Both **PIVOT ARMS(91)** must be adjusted to the same hole. Trying to adjust the **PIVOT ARMS(91)** to different positions could cause damage to the machine, and injury to the user.

STEP 4

Attach the **MAIN FRAME(92)** onto the **REAR FRAMES(2, 3)** by sliding the slots in the ends of the two **PIVOT ARMS(91)** into the slots on the **REAR FRAMES(2, 3)** and secure with the **SHAFT CLIPS (43, 44).**

ASSEMBLY INSTRUCTIONS



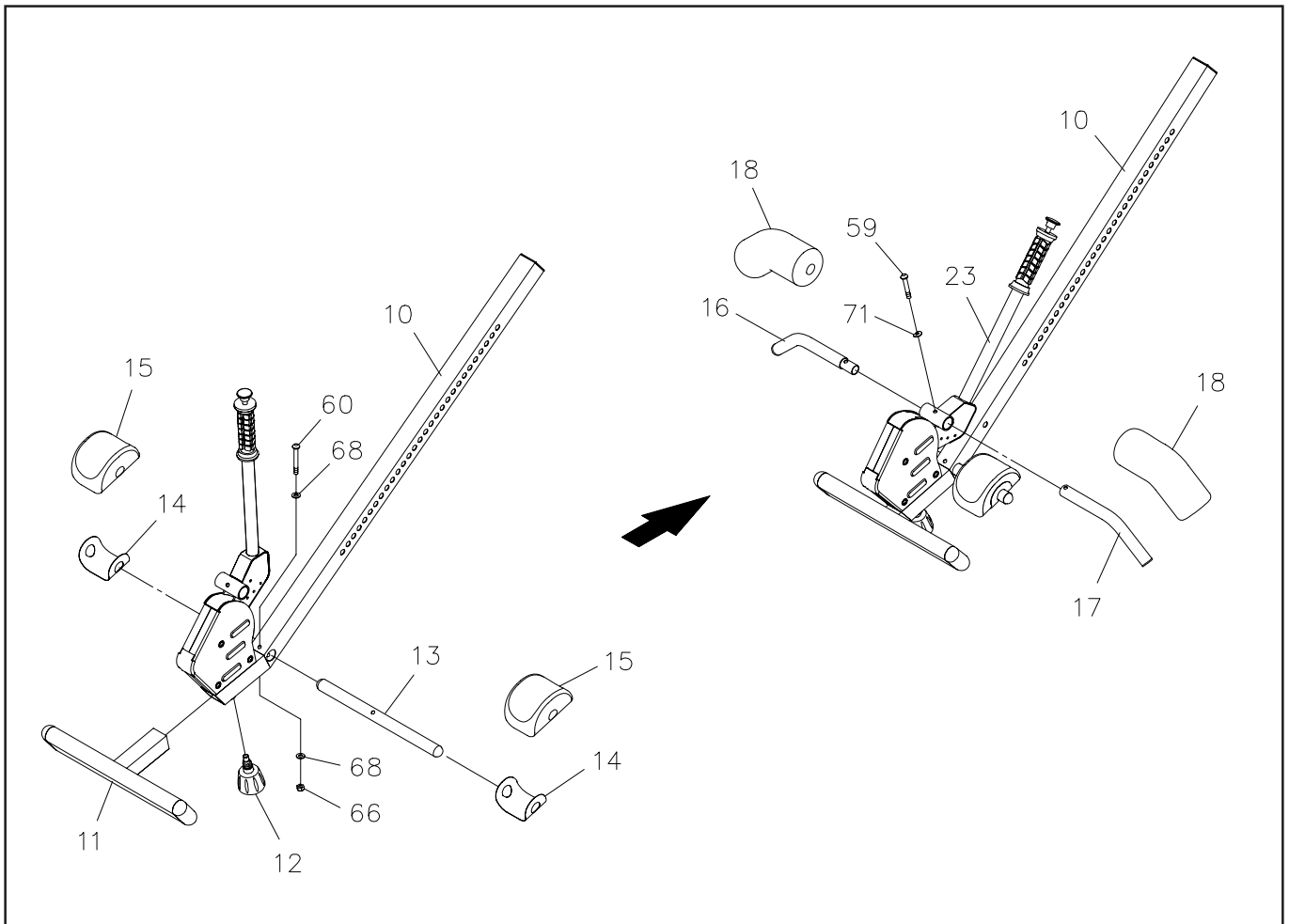
STEP 5

Attach the **ANGLE ADJUSTMENT BARS(85)** onto the shafts on both sides of the **MAIN FRAME(92)** with **BOLTS(M8 x 15mm)(62)** and **WASHERS(M8)(69)**. Do not tighten the bolts until STEP 6.

STEP 6

Slide one of the **SUPPORT SLEEVES(84)** onto the left **ANGLE ADJUSTMENT BARS(85)**. Install the **SUPPORT SLEEVES(84)** onto the shaft on the **LEFT FRAME(2)** with the **SUPPORT SLEEVE(84)** above the shaft as shown in the illustration, and secure with a **BOLT(M8 x 15mm)(62)** and **WASHER(M8)(69)**. Insert the **PULL PIN(86)** into one of the Adjustment Holes in **ANGLE ADJUSTMENT BAR(85)**. Repeat on the other side. Tighten all the bolts.

ASSEMBLY INSTRUCTIONS



STEP 7: Attach the **FOOTREST(11)** onto the **HEIGHT ADJUSTMENT BEAM(10)** with the adjustment holes facing down. Secure the **FOOTREST(11)** in place with the **ADJUSTMENT KNOB(12)**.

NOTE: The four adjustment holes in the **FOOTREST(11)** allow the **FOOTREST(11)** to be attached in four different positions. Start with one of the center positions and adjust if necessary. Use the outer position if users are taller than average. Use the inner position if users are shorter than average.

STEP 8

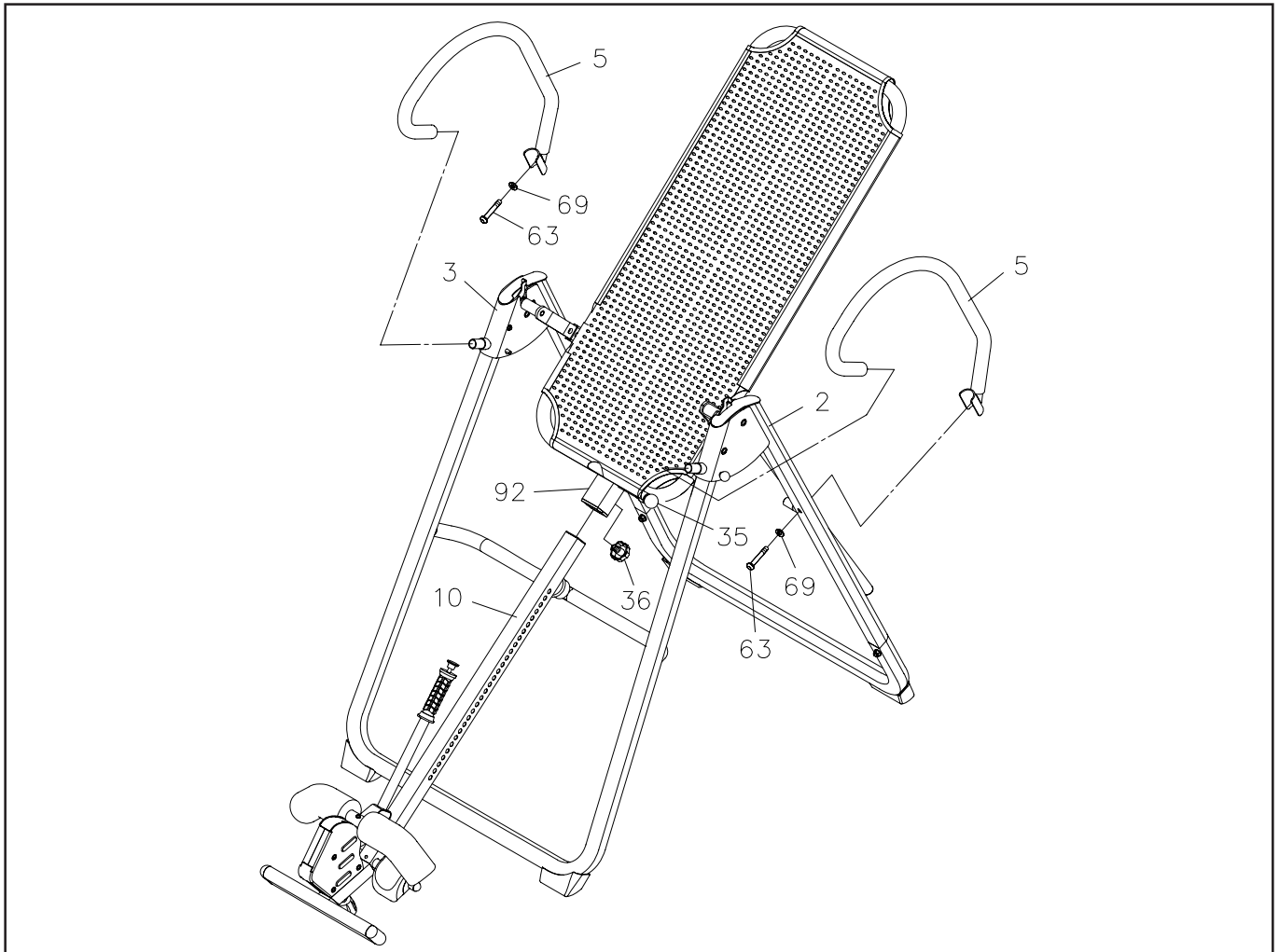
Insert the **HEEL HOLDER TUBE(13)** through the hole on the **HEIGHT ADJUSTMENT BEAM(10)** and secure with **BOLT(M6 x 47mm)(60)**, **WASHERS(M6 x ϕ 16 x 1.5mm Thick)(68)**, and **NYLOCK NUT(M6)(66)**. Place a **HEEL HOLDER BRACKET(14)** onto a **HEEL HOLDER(15)**, then slide them onto the **HEEL HOLDER TUBE(13)** together. Repeat on other side.

STEP 9

Insert the **OUTER PAD TUBE(17)** through the hole on the **HEIGHT ADJUSTMENT BEAM(10)**. Insert the **INNER PAD TUBE(16)** into the **OUTER PAD TUBE(17)**. Align the holes on the **INNER PAD TUBE(16)**, **OUTER PAD TUBE(17)**, and **HEIGHT ADJUSTMENT BEAM(10)**, then bolt them together with **BOLT(M6 x 35mm)(59)** and **ARC WASHER(M6)(71)**.

WARNING: The **PAD TUBES(16, 17)** must be assembled with the ends pointed downward as shown. The ends must be pointed downward to properly secure the users feet in place during inversion. Improper assembly will allow the user's feet to come loose and the user will fall from the **Elite Inversion System**.

ASSEMBLY INSTRUCTIONS



STEP 10

Install the **HEIGHT ADJUSTMENT BEAM(10)** into **MAIN FRAME(92)** by pulling the **SPRING PIN(35)** on the **MAIN FRAME(92)** and inserting the **HEIGHT ADJUSTMENT BEAM(10)** as shown. For added safety, thread the **LOCKING KNOB(3/8" -16 x 3/4")(36)** into back side of the **MAIN FRAME(92)**.

WARNING: Do not use the **Elite Inversion System** until you have verified your height setting. Failure to use the proper height setting can result in difficulty recovering from the decline position. See **HEIGHT ADJUSTMENT** instructions on page 11.

STEP 11

Insert the front ends of the **HANDRAILS(5)** onto the short tubes on **REAR FRAMES(2, 3)**. Then attach the back ends of the **HANDRAILS(5)** with **BOLTS(M8 x 50mm)(63)** and **WASHERS(M8)(69)**.

OPERATIONAL INSTRUCTIONS

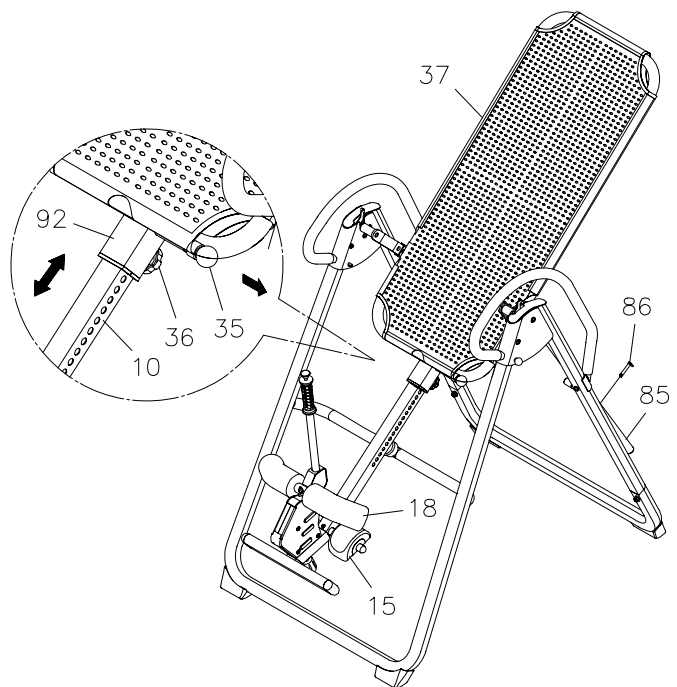
GENERAL PRECAUTIONS

1. Use the lowest holes in the **PIVOT ARMS(91)** until you become familiar with the **Elite Inversion System**.
2. Do not use the **Elite Inversion System** alone. Always have a helper available in case assistance is needed in recovering from the decline position.
3. Make sure that the **FOAM PADS(18)** and **HEEL HOLDERS(15)** are holding your feet securely.
4. Make sure that the **HEIGHT ADJUSTMENT BEAM(10)** is properly set for your height.
5. Make sure that the **HEIGHT ADJUSTMENT BEAM(10)** is held securely by both the **SPRING PIN(35)** and the **LOCKING KNOB(36)**.
6. Make sure that there is enough room for the bed to rotate completely.

HEIGHT ADJUSTMENT

The **Elite Inversion System** is a very sensitive balance device. It responds to very slight changes in weight distribution. It is very important to make sure that the height adjustment is adjusted properly. Use the following procedure to set the height adjustment and balance the **Elite Inversion System**.

1. Insert the **PULL PINS(86)** into the second adjustment holes from the top in the **ANGLE ADJUSTMENT BARS(85)** to restrict the movement of the **NYLON BED(37)** to the least amount of inversion angle. The **PULL PINS(86)** should not be inserted into the lowest adjustment holes in the **ANGLE ADJUSTMENT BARS(85)**, or the **Elite Inversion System** may go into the full inversion position while you are setting the height adjustment.
2. Loosen the **LOCKING KNOB(36)** under the **MAIN FRAME(92)**.
3. Pull the **SPRING PIN(35)** and use the **SCALE INDICATION** to set the **HEIGHT ADJUSTMENT BEAM(10)**.
4. Tighten the **LOCKING KNOB(36)**.
5. Mount the machine.
6. Lock your ankles into the **FOAM PADS(18)** and **HEEL HOLDERS(15)**.
7. Lie back with your hands at your sides.
8. Slowly raise your hands to your chest.
9. If your feet are higher than your head, dismount and try a taller setting. If you do not rotate to a position close to level, dismount and try a shorter setting.



NOTE: The **Elite Inversion System** should return to the upright position when your hands are below your waist. If it does not, use a taller setting.

OPERATIONAL INSTRUCTIONS

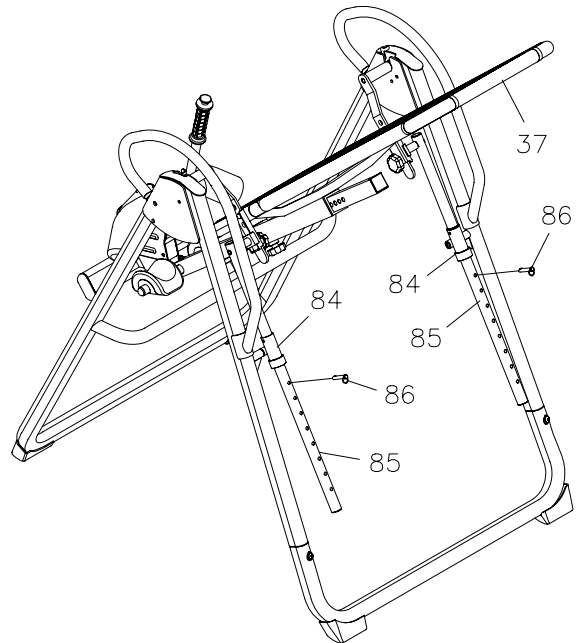
INVERSION ANGLE ADJUSTMENT

There are 11 adjustment holes in the **ANGLE ADJUSTMENT BARS(85)** allowing you restrict the movement of the **NYLON BED(37)** to different angles by inserting the **PULL PINS(86)** into different adjustment holes.

The top holes will allow the least amount of inversion angle. The lowest hole will allow the greatest amount of inversion angle and the **Elite Inversion System** will go into the full inversion position.

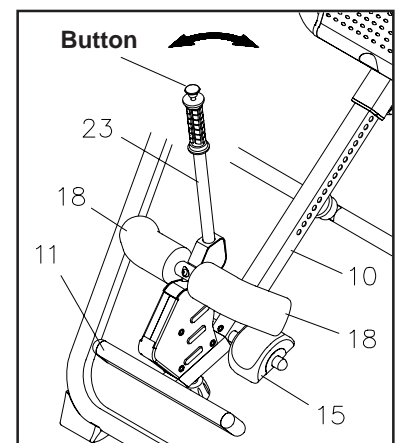
CAUTION:

1. Use the holes near the top in the **ANGLE ADJUSTMENT BARS(85)** until you become familiar with the **Elite Inversion System**.
2. Both **PULL PINS(86)** must be inserted into the same hole in the **ANGLE ADJUSTMENT BARS(85)**. Trying to insert the **PULL PINS(86)** into different positions could cause damage to the machine, and injury to the user.



HEEL HOLDER USE AND ADJUSTMENT

1. Place your feet on the **FOOTREST(11)** with your ankles between the **HEEL HOLDERS(15)** and **FOAM PADS(18)**.
2. The **HEIGHT ADJUSTMENT BEAM(10)** includes a **LEVER(23)** to grip and release your feet. Pull the **LEVER(23)** toward you until your ankles are securely held between the **HEEL HOLDERS(15)** and **FOAM PADS(18)**.
3. To release your feet or relax the grip, pull the **LEVER(23)** toward you slightly and press the button on the end of the lever.



THE HANDRAILS

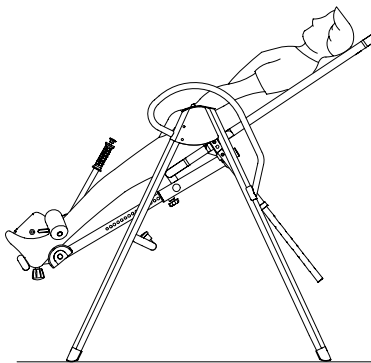
For added convenience, and safety, a set of **HANDRAILS** has been added to the **Elite Inversion System**. These **HANDRAILS** are located at both sides of the frame. The **HANDRAILS** are to help you return to the upright position from any degree of inversion. If you wish to return to the upright position, and the bed is moving too slowly, or not moving at all, simply grab the **HANDRAILS** and pull on them until you return to the upright position.

OPERATIONAL INSTRUCTIONS

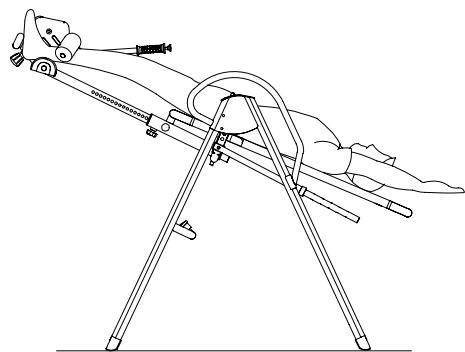
USING THE PRO INVERSION SYSTEM

1. Start by lying fully back on the bed with your hands at your side, or resting on your thighs.
2. Keeping your hands close to your body begin to raise your arms slowly allowing the table to rotate backward. Stop, or lower your arms to control the downward rotation of the table.
3. Raise your arms until they are over your head. At this point, the inversion table will be as far back as it can go.
4. As you get more comfortable with the use, rock the bed slowly by moving your arms up and down slowly.
5. A gentle swinging motion will alternately put your spine in traction and compression. This rhythmic type of traction is used by many hospitals and doctors to treat certain back problems.
6. It is recommended that the inversion table be used for five or ten minutes each morning, and again each evening.
7. Return to the upright position by slowly moving your hands back down to your thighs.

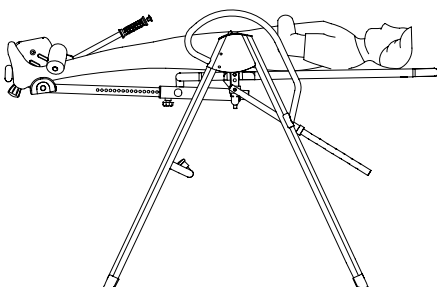
1.



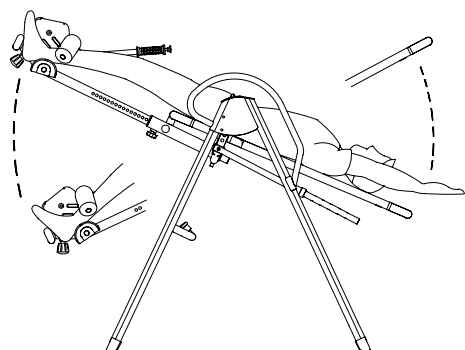
3.



2.



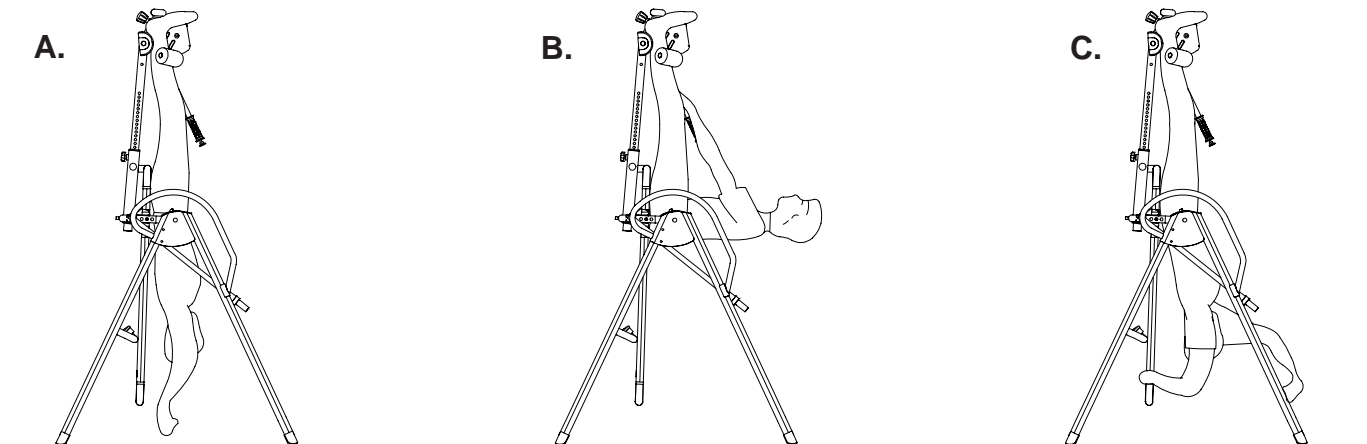
4.



OPERATIONAL INSTRUCTIONS

SUGGESTIONS FOR USE

1. Begin slowly: invert with the least amount of inversion angle to begin with. Stay inverted only as long as you are comfortable. Return upright slowly.
2. Make gradual changes: increase the angle only if it is comfortable. Increase the angle only one adjustment hole at a time. Increase the time of use 1-2 minutes up to ten over a period of weeks. Add stretching and light exercise only after you are comfortable with inversion.
3. Watch your body: come up slowly, dizziness after a session means you came up too fast. Wait a while after eating before using table. If you get nauseous, do not fight it, come up as soon as you feel queasy.
4. Keep moving: movement while inverted encourages blood, lymph, and spinal fluid circulation and aids in alignment of bones and organs. Movement may be accomplished by either rhythmic traction or light exercise. Do not exercise strenuously while inverted. Limit partial inversion without movement to one or two minutes. Limit full inversion with no movement to only a few seconds.
5. Invert regularly: we recommend two or three times a day depending upon your current condition. Try to schedule it for the same times each day.



LOCKING THE BED

When the inversion table rotates past the vertical inverted position the bed becomes locked, and will not return to the upright position in the usual way. The locked position allows you to hang straight upside-down completely free of the bed. This position allows you to enjoy all of the benefits of a handstand, with none of the discomforts, as shown in illustration A. It also allows you to do exercises such as the waistband, as shown in illustration B.

To get into the locked position, use the top hole in the **PIVOT ARMS(6)** as described in **STEP 3**. If necessary, adjust the **HEIGHT ADJUSTMENT BEAM(10)** shorter, and then mount and use normally. When your arms are completely extended above your head, the bed will rotate all the way to the locked position.

CAUTION: You must understand how to recover from the fully inverted position before using the fully inverted position. Read the **RECOVERY FROM LOCKED POSITION** section below **BEFORE** using the fully inverted position.

RECOVERY FROM LOCKED POSITION

To recover from the locked position, simply grab the **HANDRAILS** and pull on them while pushing back on the **HEEL HOLDERS(15)** with your legs. If you can not reach the **HANDRAILS**, then you can still recover by grabbing the back of the bed with one hand, the **REAR FRAME** with the other, and pulling your hands together, as shown in illustration C.

STORAGE

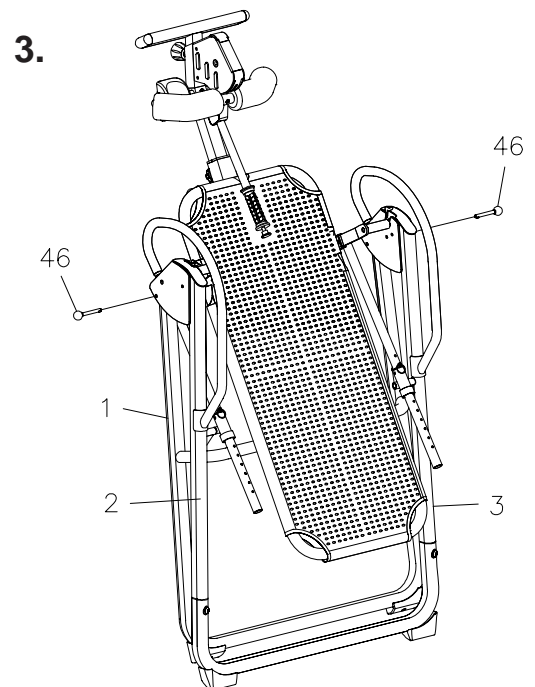
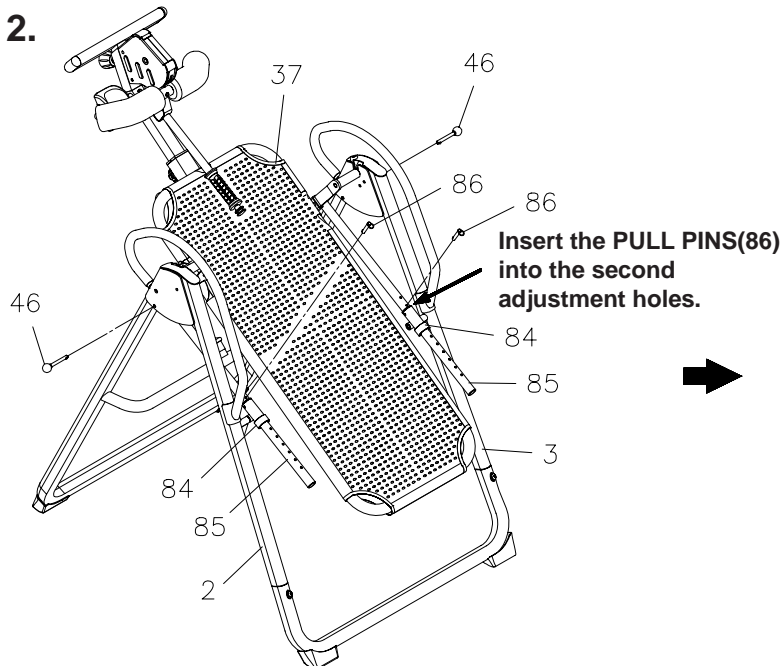
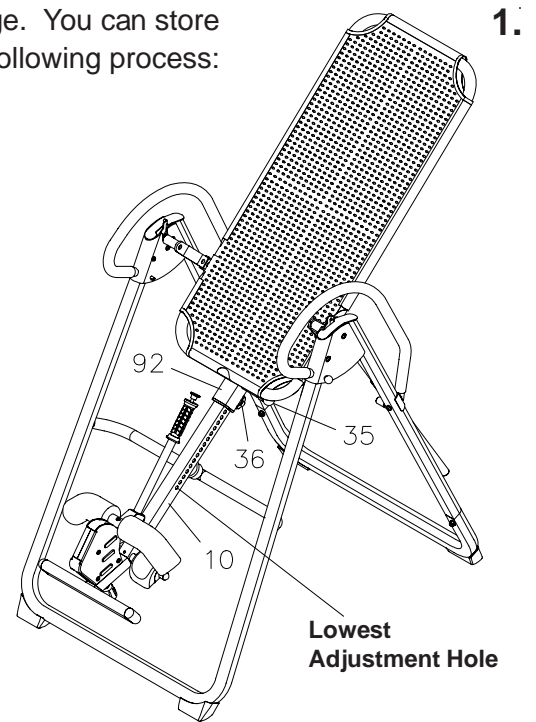
The **Elite Inversion System** is designed to fold for easy storage. You can store your **Elite Inversion System** as illustrated. Please follow the following process:

STEP 1: Loosen **LOCKING KNOB(36)** and pull out the **SPRING PIN(35)**. Now, slide the **HEIGHT ADJUSTMENT BEAM(10)** into the **MAIN FRAME(92)** and lock in the lowest adjustment hole. Refer to illustration 1.

STEP 2: Remove the **PULL PINS(86)** from the **ANGLE ADJUSTMENT BARS(85)**. Swing the **NYLON BED(37)** down to about the same place as the Rear Frame and lock in position by inserting the **PULL PINS(86)** into the second adjustment holes in the **ANGLE ADJUSTMENT BARS(85)** above the **SUPPORT SLEEVE(84)**. Refer to illustration 2.

STEP 3: Remove the **LONG BALL PINS(46)** from the **REAR FRAMES(2, 3)**. Fold the Front Frame close to the Rear Frame as Illustration 3 shows. Insert the **LONG BALL PINS(46)** back into the **REAR FRAMES(2, 3)** to lock the **Elite Inversion System** in the folded position.

WARNING: When folding and unfolding the **Elite Inversion System**, keep all children away from the **Elite Inversion System** and make sure your hands are clear of any folding or pinch point.



MAINTENANCE

The safety level of the **Elite Inversion System** can be maintained only if it is examined regularly for damage and wear.

1. Check the angle adjustment tube, traction bars, ball pins, pivot arms, cushion bed, heel holders, foam pads, spring pin, and warning label for damage and wear.
2. Replace damaged and worn components immediately and/or keep the equipment out of use until repairs are complete.

PARTS LIST

DIAGRAM#	PART NAME	QTY
1	Front Frame	1
2	Left Rear Frame	1
3	Right Rear Frame	1
4	Base Frame	1
5	Handrail	2
10	Height Adjustment Beam	1
11	Footrest	1
12	Adjustment Knob	1
13	Heel Holder Tube	1
14	Heel Holder Bracket	2
15	Heel Holder	2
16	Inner Pad Tube	1
17	Outer Pad Tube	1
18	Foam Pad	2
19	Left Lever Cover	1
20	Right Lever Cover	1
21	Rear Lever Cover	1
22	Corner cap	1
23	Lever	1
26	Claw Spacer	2
31	Spring	1
32	Button	1
33	Hand Grip	1
34	Bushing	2
35	Spring Pin	1
36	Locking Knob (3/8"-16 x 3/4")	1
37	Nylon Bed	1
38	Foam Grip	2
42	Selection Tube Bushing	4
43	Left Shaft Clip	1
44	Right Shaft Clip	1
45	Tension Spring	2
46	Long Ball Pin (ø8 x 55mm)	2
47	Bumper	1
48	Stand A (front left)	2
49	Stand B (front right)	2
50	Hollow Cap	1
51	Oval Plug (20mm x 60mm)	2
52	Dome Plug (22mm)	2
53	Round Plug (22mm)	2
54	Round Plug (25mm)	4
55	Square Plug (38mm x 38mm)	1
56	Support Washer	1
57	Screw, Round Head (M4 x 20mm)	4
58	Bolt, Button Head (M6 x 1 x 15mm)	2
59	Bolt, Button Head (M6 x 1 x 35mm)	1

PARTS LIST

DIAGRAM#	PART NAME	QTY
60	Bolt, Button Head (M6 x 1 x 47mm)	1
61	Bolt, Button Head (M6 x 1 x 55mm)	2
62	Bolt, Button Head (M8 x 1.25 x 15mm)	5
63	Bolt, Button Head (M8 x 1.25 x 50mm)	5
64	Bolt, Button Head (M8 x 1.25 x 55mm)	2
66	Nylock Nut (M6 x 1)	4
67	Nylock Nut (M8 x 1.25)	5
68	Washer (M6 x ϕ 16 x 1.5mm Thick)	10
69	Washer (M8)	15
70	Arc Washer (M8)	2
71	Arc Washer (M6)	1
72	Warning Label	1
73	Combination Wrench	1
74	Allen Wrench (4mm)	1
75	Allen Wrench (6mm)	1
76	Manual	1
77	Claw/Pressing Bar Assembly	1
78	Bolt, Button Head (M6 x 1 x 42mm)	1
79	Bolt, Button Head (M10 x 1.5 x 60mm)	2
80	Nylock Nut (M10 x 1.5)	2
81	Washer (M10)	4
82	Nut (M8 x 1.25)	1
83	Pressing Bar Spacer	1
84	Support Sleeve	2
85	Angle Adjustment Bar	2
86	Pull Pin (ϕ 6 x 40mm)	2
87	Instruction Video (DVD)	1
91	Pivot Arm	2
92	Main Frame	1
93	Securing Knob (3/8"-16 x 1/2")	2

WARRANTY

Stamina Products, Inc. warrants that this product will be free from defects in materials and workmanship under normal use, service and proper operation for a period of 90 days on the parts and 5 years on the frame from the date of the original purchase from an authorized retailer. **THIS WARRANTY SHALL NOT APPLY TO ANY PRODUCT WHICH HAS BEEN SUBJECT TO COMMERCIAL USE, ABUSE, MISUSE, ALTERATION OF ANY TYPE OR CAUSE OR TO ANY DEFECT OR DAMAGE CAUSED BY REPAIR, REPLACEMENT, SUBSTITUTION OR USE WITH PARTS OTHER THAN PARTS PROVIDED BY STAMINA PRODUCTS, INC.** Commercial use includes use of the product in athletic clubs, health clubs, spas, gymnasiums, exercise facilities, and other public or semipublic facilities whether or not the product's use is in furtherance of a profit making enterprise, and all other use which is not for personal, family, or household purposes.

To implement this limited warranty, send a written notice stating your name, date, and place of purchase and a brief description of the defect along with your receipt to **Stamina Products, Inc. P.O. Box 1071, Springfield Missouri, USA, 65801-1071** or call us at **1 (800) 375-7520**. If the defect is covered under this limited warranty, you will be requested to return the product or part to us for free repair or replacement at our option. **NO ACTION FOR BREACH OF THIS LIMITED WARRANTY MAY BE COMMENCED MORE THAN ONE (1) YEAR AFTER THE DATE THE ALLEGED BREACH WAS OR SHOULD HAVE BEEN DISCOVERED. NO ACTION FOR BREACH OF ANY IMPLIED WARRANTY MAY BE COMMENCED MORE THAN ONE (1) YEAR AFTER DELIVERY OF THE PRODUCT TO THE PURCHASER.** This limited warranty is not transferable. **IF ANY PART OF THE PRODUCT IS NOT IN COMPLIANCE WITH THIS LIMITED WARRANTY OR ANY IMPLIED WARRANTY, THE REMEDY OF REPAIR OR REPLACEMENT IS THE EXCLUSIVE REMEDY AVAILABLE TO YOU.** In the event that the purchaser makes any claim under this limited warranty or any implied warranty, the Warrantor reserves the right to require the product to be returned for inspection, at the purchaser's expense, to the Warrantor's premises in Springfield, Missouri. Return of the enclosed warranty registration card is not required for warranty coverage, but is merely a way of establishing the date and place of purchase.

Stamina Products, Inc. **SHALL NOT BE LIABLE FOR THE LOSS OF USE OF ANY PRODUCT, LOSS OF TIME, INCONVENIENCE, COMMERCIAL LOSS OR ANY OTHER INDIRECT, CONSEQUENTIAL, SPECIAL OR INCIDENTAL DAMAGES DUE TO BREACH OF THE ABOVE WARRANTY OR ANY IMPLIED WARRANTY.**

This limited warranty is the only written or express warranty given by Stamina Products, Inc. This warranty gives you specific legal rights, and you may also have other legal rights which vary from state to state. **ANY OTHER RIGHT WHICH YOU MAY HAVE, INCLUDING ANY IMPLIED WARRANTY OR MERCHANTABILITY OR FITNESS FOR A PARTICULAR PURPOSE, IS LIMITED IN DURATION TO THE DURATION OF THIS WARRANTY.**

The laws in some jurisdictions restrict the rights of manufacturers and distributors of consumer goods to disclaim or limit implied warranties and consequential and incidental damages with respect thereto. If any such law is found to be applicable, the foregoing disclaimers and limitations of and on implied warranties and consequential and incidental damages with respect thereto shall be disregarded and shall be deemed not to have been made to the extent necessary to comply with such legal restriction.

NOTES

NOTES

Free Manuals Download Website

<http://myh66.com>

<http://usermanuals.us>

<http://www.somanuals.com>

<http://www.4manuals.cc>

<http://www.manual-lib.com>

<http://www.404manual.com>

<http://www.luxmanual.com>

<http://aubethermostatmanual.com>

Golf course search by state

<http://golfingnear.com>

Email search by domain

<http://emailbydomain.com>

Auto manuals search

<http://auto.somanuals.com>

TV manuals search

<http://tv.somanuals.com>