

Product May Vary
Slightly From Pictured.

inSTRIDE[®] Cycle XL

Owner's Manual

Safety Instructions
Customer Service
Operation
Warranty

SAFETY INSTRUCTIONS

WARNING: Weight limit is not applicable if product is used properly. This unit is not designed to support a user's weight. To reduce the risk of serious injury, please read all safety instructions before using.

1. Read this Owner's Manual and follow it carefully before using the **inSTRIDE CYCLE XL**.
2. Do not stand up on the **inSTRIDE CYCLE XL**.
3. Keep children away from the **inSTRIDE CYCLE XL**. Do not allow children to use or play around the **inSTRIDE CYCLE XL**. Keep children and pets away from the **inSTRIDE CYCLE XL** when it is in use.
4. Set up and operate the **inSTRIDE CYCLE XL** on a solid level surface or table. Do not position the **inSTRIDE CYCLE XL** on loose rugs or uneven surfaces.
5. Inspect the **inSTRIDE CYCLE XL** for damaged or loose components prior to use.
6. Tighten/replace any loose or worn components prior to using the **inSTRIDE CYCLE XL**.
7. The surface of the crank housing may become hot during use, so allow it to cool before moving.
8. Consult a physician prior to commencing an exercise program. If, at any time during exercise, you feel faint, dizzy, or experience pain, stop and consult your physician.
9. Always choose the workout which best fits your physical strength and flexibility level. Know your limits and train within them. Always use common sense when exercising.
10. Do not wear loose or dangling clothing while using the **inSTRIDE CYCLE XL**.
11. Never exercise with bare feet or socks. Always wear appropriate footwear.
12. The **inSTRIDE CYCLE XL** should be used by only one person at a time.
13. The **inSTRIDE CYCLE XL** is for consumer use only. It is not for use in public or semipublic facilities.

This Product is Produced Exclusively by



2040 N. Alliance, Springfield, MO 65803
Customer Service Number
1 (800) 375-7520
parts@staminaproducts.com
www.staminaproducts.com

2009, 12

When calling for parts or service, please specify the following model number:
15 - 0120A

MADE IN CHINA

© 2009 Stamina Products, Inc.

ASSEMBLY & OPERATIONAL INSTRUCTIONS

STEP 1: Insert the STABILIZERS(2) into both ends of the MAIN FRAME(1) and secure with BUTTON HEAD BOLTS(M8x1.25x12mm)(16) and ARC WASHERS(M8)(17). DO NOT TIGHTEN COMPLETELY.

Adjust the STAND CAPS(3), set the **inSTRIDE CYCLE XL** on the floor and tighten the bolts.

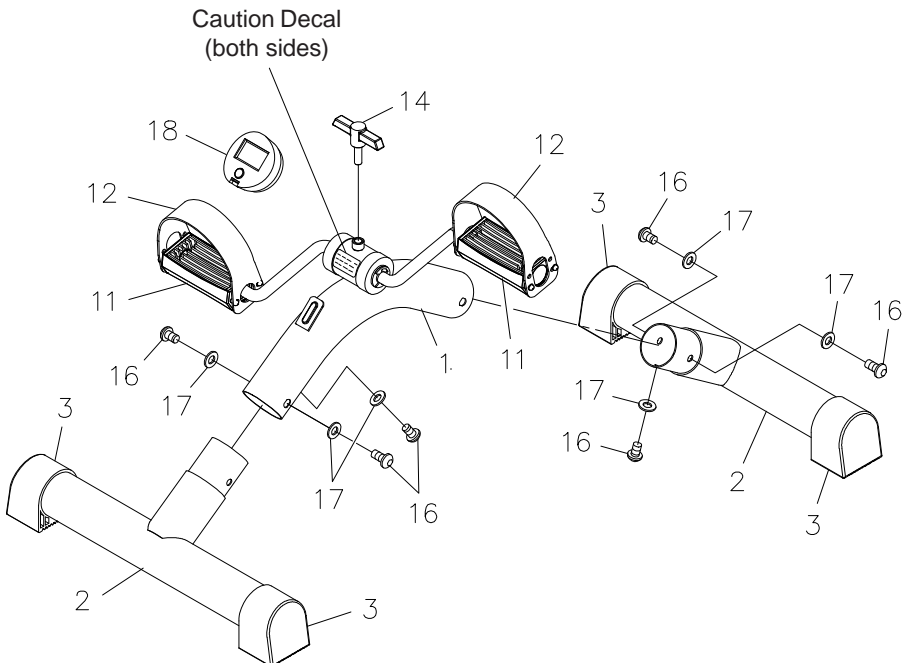
STEP 2: Bolt the T KNOB(14) into the hub on the MAIN FRAME(1).

STEP 3: Slide the TIMER(18) onto the plate on the MAIN FRAME(1).

NOTE: There are two adjustment holes on each side of the PEDAL STRAPS(12). Select the adjustment holes which allow your feet to be easily removed from the PEDALS(11).

CAUTION: The surface of the crank housing may become hot during use, so allow it to cool before moving. Read the cautions posted on the **inSTRIDE CYCLE XL**.

CAUTION HOT SURFACE!
The surface may become hot during use, so allow it to cool before moving.



ASSEMBLY & OPERATIONAL INSTRUCTIONS

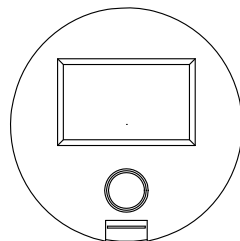
LOAD ADJUSTMENT

To increase the intensity of your workout, turn the T KNOB(14) clockwise. To decrease the resistance, turn the T KNOB(14) counterclockwise.

USING THE ELECTRONIC TIMER

TIMER Function: The electronic timer displays minutes and seconds up to 99.59.

1. To time your workout, begin by pressing and holding the button on the face of the timer until zeros are displayed. Release the button.
2. Start the timer by pressing and releasing the button. Now you are ready to begin your workout.
3. To stop or pause the timer, press and release the timer button. This freezes the workout time. To resume your workout without losing the time displayed before stopping or pausing, press and release the button again.
4. When you complete your workout, press and release the timer button. The timer will automatically turn off after being in stop or pause mode for 4 minutes.
NOTE: Even after the timer automatically turns off, the time that was displayed prior to shut off will remain in memory. To resume your workout without losing the time displayed before stopping, press and release the timer button. To clear the time and start a new workout, start again at step 1.



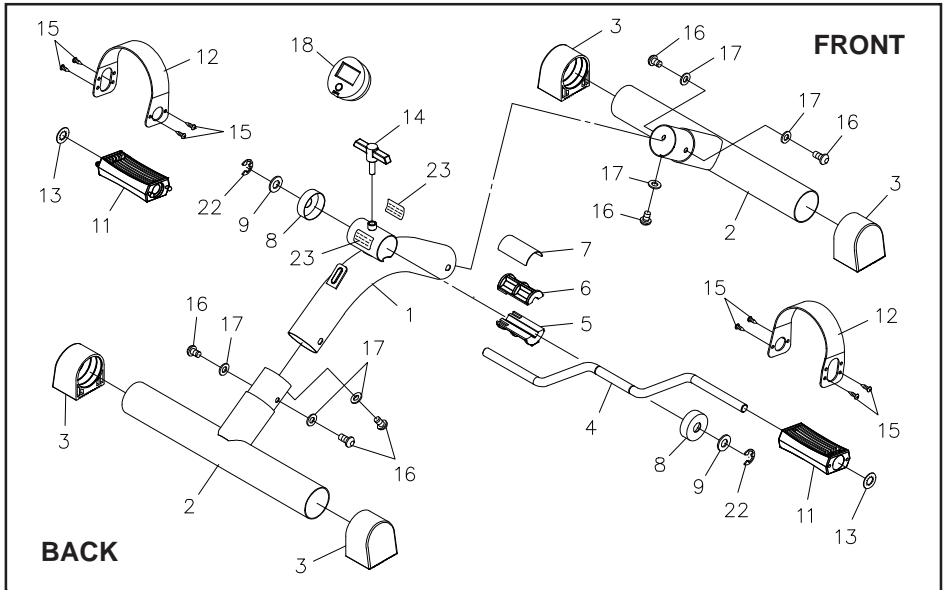
BATTERY: The electronic timer operates with a 3v CR2032 mercury battery. Replace the battery when you see inconsistencies in the display.

MAINTENANCE

The safety and integrity designed into the **inSTRIDE CYCLE XL** can only be maintained when the **inSTRIDE CYCLE XL** is regularly examined for damage and wear. Special attention should be given to the following:

1. A light oil is applied to the pedals of your **inSTRIDE CYCLE XL** before shipping. Reapply oil if the pedals begin squeaking.
2. Verify that all nuts and bolts are properly tightened.
3. Use only Stamina Products components for maintenance and repair. For replacement parts, contact us at parts@staminaproducts.com or call 1-800-375-7520.
4. Keep your **inSTRIDE CYCLE XL** clean by wiping with an absorbent cloth after use.

Product Parts Drawing and Parts List



Part No. and Description

Qty

1	Main Frame	1
2	Stabilizer	2
3	Stand Cap (50.8mm)	4
4	Crank	1
5	Bottom Brake Block	1
6	Top Brake Block	1
7	Press Plate	1
8	Hub Cap	2
9	Nylon Washer (M12)	2
11	Pedal	2
12	Pedal Strap	2

Part No. and Description

Qty

13	Push Nut (1/2")	2
14	T Knob	1
15	Screw, Round Head (M4 x 12mm)	8
16	Bolt, Button Head (M8 x 1.25 x 12mm)	6
17	Arc Washer (M8)	6
18	Timer	1
19	Allen Wrench (6mm)	1
20	Owner's Manual	1
21	Workout Manual	1
22	E Clip (1/2")	2
23	Caution Decal	2

LIMITED WARRANTY

This product is warranted to be free from defects in material and workmanship and to be in perfect working order at the time of purchase. This warranty applies to personal, family or household use. This warranty does not apply to use in athletic clubs, health clubs, spas, gymnasiums, exercise facilities, and other public or semipublic facilities.

If the product should, for any reason, become defective within 90 days of purchase, the manufacturer will replace the product once it is returned to the manufacturer. This warranty does not apply to any damage caused by accident, return transit, alteration, abuse, or misuse. There are no other warranties other than those expressly set forth herein.

Products shipped to the manufacturer must be in the original shipping carton with freight prepaid. All expenses for repairing or replacing the product, including the cost of shipping it back to the original purchaser, will be covered by the manufacturer. This warranty gives you specific legal rights, and you may have other rights which vary from state to state.

Free Manuals Download Website

<http://myh66.com>

<http://usermanuals.us>

<http://www.somanuals.com>

<http://www.4manuals.cc>

<http://www.manual-lib.com>

<http://www.404manual.com>

<http://www.luxmanual.com>

<http://aubethermostatmanual.com>

Golf course search by state

<http://golfingnear.com>

Email search by domain

<http://emailbydomain.com>

Auto manuals search

<http://auto.somanuals.com>

TV manuals search

<http://tv.somanuals.com>